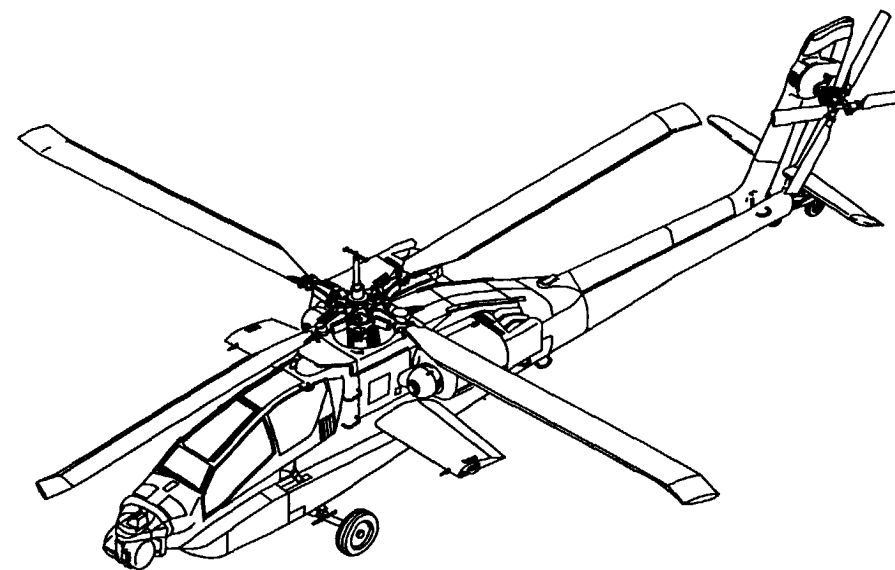


TECHNICAL MANUAL
AVIATION UNIT AND INTERMEDIATE
TROUBLESHOOTING MANUAL
FOR
ARMY MODEL
AH-64A HELICOPTER
(NSN 1520-01-106-9519) (EIC: RHA)
WIRING DIAGRAMS



SUPERSEDURE NOTICE: This manual supersedes TM 1-1520-238-T-10, dated 05 SEPTEMBER 1990, including all changes.

DISTRIBUTION STATEMENT A: Approved for public release; distribution is unlimited.

HEADQUARTERS, DEPARTMENT OF THE ARMY

31 August 1992

WARNING

- .Voltages used may cause arcing. Remove rings, watches, and other jewelry which may cause a shock/burn hazard.**
- .Voltages used may cause severe shock or death on contact. Use caution to avoid contact with energized components.**
- .Turn off power before disconnecting or reconnecting wires and connectors. High current 28 VDC and 115 VAC are present. Failure to do so could result in death or serious injury.**
- .When opening a circuit breaker during system checks, tag circuit breaker to prevent unforeseen closing, which may cause injury or death to personnel.**

FIRST AID

For artificial respiration, refer to FM 21-11.

INSERT LATEST CHANGED PAGES: DESTROY SUPERSEDED PAGES.

LIST OF EFFECTIVE PAGES

NOTE: The portion of the text affected by the changes is indicated by a vertical line in the outer margins of the page. Changes to illustrations are indicated by miniature pointing hands. Changes to wiring diagrams are indicated by shaded areas.

Date of issue for original and change pages are:

Original 0 31 August 1992	Change 3 28 December 1994	Change 6 19 December 1997	Change 9 25 May 2001
Change 1 29 January 1993	Change 4 1 February 1996	Change 7 27 February 1998	Change 10 15 February 2002
Change 2 15 November 1993	Change 5 30 September 1996	Change 8 3 May 2000	

TOTAL NUMBER OF PAGES IN THIS PUBLICATION IS 684, CONSISTING OF THE FOLLOWING:

Page No.	*Change No.	Page No.	*Change No.	Page No.	*Change No.	Page No.	*Change No.
Cover	0	1-44	1	1-112	0	1-179 – 1-181	0
Blank	0	1-45 – 1-46	7	1-113	6	1-182	6
a	0	1-47	0	1-114	5	1-183	5
b Blank	0	1-48	5	1-115 – 1-116	6	1-184	0
A – B	10	1-49	7	1-117	7	1-185 – 1-188	6
i – ii	10	1-50 – 1-53	6	1-118 – 1-120	5	2-1 – 2-4	0
iii – v	0	1-54	7	1-120.1 – 1-120.2	6	2-5	4
vi Blank	0	1-54.1 Added	7	1-121	0	2-6	0
1-1	0	1-54.2 Blank Added	7	1-122	2	3-1 – 3-3	0
1-2	6	1-55	1	1-123	0	3-4 – 3-5	6
1-3	0	1-56 – 1-58	6	1-124	1	3-6	10
1-4	6	1-59	7	1-125	0	3-7 – 3-12	0
1-5	5	1-60 – 1-61	0	1-126	6	3-13	6
1-6	7	1-62	7	1-127	7	3-14	0
1-7 – 1-8	3	1-63	5	1-128	6	4-1 – 4-3	0
1-9	5	1-64	7	1-128.1 – 1-128.2	6	4-4	3
1-10 – 1-12	0	1-65	0	1-129	2	4-5 – 4-7	0
1-13	5	1-66 – 1-68	7	1-130 – 1-132	7	4-8 – 4-9	6
1-14	7	1-69	0	1-133	5	4-10 – 4-14	0
1-14.1	6	1-70	5	1-134	0	5-1	0
1-14.2	7	1-71	7	1-135 – 1-136	1	5-2	6
1-15 – 1-16	5	1-72 – 1-73	6	1-137 – 1-138	0	5-3 – 5-4	0
1-17	1	1-74	7	1-139	6	6-1	6
1-18 – 1-19	7	1-75	6	1-140	7	6-2 – 6-6	0
1-20	6	1-76	1	1-141	0	6-7 – 6-8	6
1-21	7	1-77 – 1-79	7	1-142	5	6-9	5
1-22 – 1-23	6	1-80	6	1-143 – 1-146	0	6-10	0
1-24	0	1-81	7	1-147 – 1-148	5	6-11	5
1-25	6	1-82 – 1-83	6	1-149	0	6-12 – 6-18	6
1-26	0	1-84 – 1-85	7	1-150	2	6-19 – 6-24 Added	6
1-27	6	1-86	0	1-151	0	7-1 – 7-3	0
1-28	0	1-87	7	1-152 – 1-154	7	7-4 Blank	0
1-29	7	1-88 – 1-91	0	1-155 – 1-157	0	8-1 – 8-2	0
1-30	5	1-92	5	1-158 – 1-160	5	8-3 – 8-4	3
1-31	0	1-93 – 1-95	7	1-160.1	7	8-5 – 8-6	6
1-32 – 1-33	6	1-96	5	1-160.2 Blank	7	9-1 – 9-8	0
1-34	0	1-97 – 1-98	7	1-161	5	9-9 – 9-10	6
1-35	6	1-99	0	1-162 – 1-165	6	9-11	8
1-36	0	1-100	7	1-166 – 1-172	0	9-12	0
1-37	5	1-101	0	1-173	6	9-13 – 9-15	2
1-38	6	1-102 – 1-103	7	1-174	5	9-16 – 9-20	0
1-39	0	1-104	5	1-175	6	9-21	7
1-40 – 1-42	0	1-105 – 1-106	7	1-176 – 1-177	0	9-22 – 9-24	5
1-43	6	1-107 – 1-111	5	1-178	6	9-25	1

*Zero in this column indicates an original page.

INSERT LATEST CHANGED PAGES: DESTROY SUPERSEDED PAGES.

LIST OF EFFECTIVE PAGES

Page No.	*Change No.	Page No.	*Change No.	Page No.	*Change No.	Page No.	*Change No.
9-26 – 9-31	0	12-22	10	20-1	5	27-7 – 27-9	5
9-32 – 9-33	6	12-23	4	20-2 – 20-3	1	27-10 – 27-23	0
9-34	0	12-24	0	20-4 – 20-5	0	27-24 – 27-25	1
9-35	3	12-25	5	20-6 – 20-8	5	27-26 – 27-27	0
9-36	4	12-26	0	20-8.1 – 20-8.5 Added	5	27-28	1
9-37	0	12-27 – 12-28	1	20-8.6 Blank Added	5	27-29	2
9-38	9	12-29	6	20-9	5	27-30 – 27-32	0
9-39	4	12-30	0	20-10	2	27-33	2
9-40 – 9-43	0	12-31	1	20-11	0	27-34 – 27-35	0
9-44	4	12-32	4	20-12	2	27-36 – 27-37	1
9-45	0	12-33 – 12-36	1	20-13	0	27-38 – 27-39	0
9-46	1	12-37	4	20-14	6	27-40 – 27-41	6
9-47	10	12-38	0	20-15 – 20-16	5	27-42	2
9-48 – 9-49	1	13-1 – 13-3	0	20-17	6	27-42.1 Added	2
9-50	0	13-4	4	20-18 Added	5	27-42.2 Blank Added	2
9-51	6	13-5 – 13-7	6	21-1	7	27-43	0
9-52 – 9-53	0	13-8 – 13-9	0	21-2 – 21-3	0	27-44	5
9-54	8	13-10	4	21-4	1	27-44.1 – 27-44.4 Added	5
9-55 – 9-58	0	13-11 – 13-12	0	21-5	0	27-45	0
9-59	2	13-13	4	21-6 – 21-8	7	27-46	3
9-60	0	13-14	0	21-9 – 21-11 Added	7	27-47	0
9-61	8	13-15	2	21-12 Blank	7	27-48	6
9-62	10	13-16 – 13-18	0	22-1 – 22-3	0	27-49 – 27-50	5
9-63	0	14-1 – 14-8	0	22-4 – 22-9	1	27-50.1 Added	5
9-64 – 9-65	6	14-9 – 14-11	6	22-10 Blank	1	27-50.2 Blank Added	5
9-66 – 9-67	0	14-12 – 14-15	0	23-1	0	27-51	0
9-68 Blank	0	14-16 Blank	0	23-2	1	27-52	7
10-1 – 10-5	0	15-1 – 15-2	0	23-3 – 23-5	0	27-53 – 27-75	0
10-6 Blank	0	15-3	6	23-6	4	27-76	7
11-1 – 11-3	0	15-4 – 15-5	0	23-7 – 23-8	2	27-77 – 27-78 Added	7
11-4	3	15-6 Blank	0	23-9	0	A-1	0
11-5 – 11-6	0	16-1 16-2	0	23-10 Blank	0	A-2 Blank	0
11-8	1	16-3	5	24-1 – 24-3	0	Glossary-1 – Glossary-2	0
11-9	0	16-4 Blank	5	24-4	4	Glossary-3 – Glossary-4	5
11-10 – 11-11	1	17-1 – 17-10	0	24-5	6	Glossary-5	0
11-12	0	18-1	0	24-6 – 24-24	0	Glossary-6	5
11-13	3	18-2	2	25-1 – 25-6	0	Glossary-7	0
11-14 – 11-16	0	18-3 – 18-5	0	25-7	6	Glossary-8	6
12-1	0	18-6	10	25-8	0	Glossary-9	0
12-2 – 12-5	1	18-7 – 18-12	0	25-9	8	Glossary-10	5
12-6 – 12-7	0	18-13	3	25-10 – 25-12	0	Index-1 – Index-11	7
12-8	1	18-14 Blank	3	25-13	6	Index-12 Blank	7
12-9 – 12-10	10	19-1 – 19-2	0	25-14	1		
12-11 – 12-12	2	19-3	5	25-15 – 25-16	0		
12-13 – 12-14	0	19-4	0	25-17	1		
12-15	1	19-5	6	25-18	5		
12-16	0	19-6 – 19-9	5	25-19 – 25-22	0		
12-17	1	19-10	9	26-1 – 26-6	0		
12-18	2	19-10.1	10	27-1	0		
12-19	6	19-10.2	5	27-2	5		
12-20	0	19-11 – 19-17	0	27-3 – 27-4	7		
12-21	2	19-18	5	27-5 – 27-6	0		

*Zero in this column indicates an original page.

CHANGE }
NO. 10 }

HEADQUARTERS
DEPARTMENT OF THE ARMY
WASHINGTON, D.C., 15 February 2002

AVIATION UNIT AND INTERMEDIATE
TROUBLESHOOTING MANUAL
FOR
ARMY AH-64A HELICOPTER
(NSN 1520-01-106-9519) (EIC:RHA)

WIRING DIAGRAMS

DISTRIBUTION STATEMENT A: Approved for public release; distribution is unlimited.

OZONE DEPLETING CHEMICAL INFORMATION:

This document has been reviewed for the presence of Class I Ozone depleting chemicals. As of Change 7 dated 27 February 1998, all references to Class I Ozone depleting chemicals have been removed from this documentation by substitution with chemicals that do not cause atmospheric Ozone depletion.

TM 1-1520-238-T-10, 31 August 1992, is changed as follows:

1. Remove and insert pages as indicated below. New or changed text material is indicated by a vertical bar in the margin. An illustration change is indicated by a miniature pointing hand.

Remove pages

A and B
i and ii
3-5 and 3-6
9-47 and 9-48
9-61 and 9-62
12-9 and 12-10
12-21 and 12-22
18-5 and 18-6
19-10.1 and 19-10.2

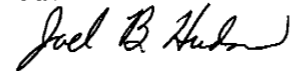
Insert pages

A and B
i and ii
3-5 and 3-6
9-47 and 9-48
9-61 and 9-62
12-9 and 12-10
12-21 and 12-22
18-5 and 18-6
19-10.1 and 19-10.2

2. Retain this sheet in front of manual for reference purposes.

By Order of the Secretary of the Army:

Official:



JOEL B. HUDSON
*Administrative Assistant to the
Secretary of the Army*
0201614

ERIC K. SHINSEKI
*General, United States Army
Chief of Staff*

DISTRIBUTION: To be distributed in accordance with Initial Distribution No. (IDN 312949)
requirements for TM 1-1520-238-T-10

CHANGE }
NO. 9 }

HEADQUARTERS
DEPARTMENT OF THE ARMY
WASHINGTON, D.C., 25 May 2001

AVIATION UNIT AND INTERMEDIATE
TROUBLESHOOTING MANUAL
FOR
ARMY AH-64A HELICOPTER
(NSN 1520-01-106-9519) (EIC:RHA)
WIRING DIAGRAMS

DISTRIBUTION STATEMENT A: Approved for public release; distribution is unlimited.

TM 1-1520-238-T-10, 31 August 1992, is changed as follows:

1. Remove and insert pages as indicated below. New or changed text material is indicated by a vertical bar in the margin. An illustration change is indicated by a miniature pointing hand.

Remove pages

Insert pages

A through D

A and B

9-37 and 9-38

9-37 and 9-38

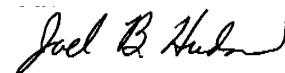
19-9 and 19-10

19-9 and 19-10

2. Retain this sheet in front of manual for reference purposes.

By Order of the Secretary of the Army:

Official:



JOEL B. HUDSON
*Administrative Assistant to the
Secretary of the Army*

0110911

ERIC K. SHINSEKI
*General, United States Army
Chief of Staff*

DISTRIBUTION:

To be distributed in accordance with initial distribution No. (IDN 312948) requirements for
TM 1-1520-238-T-10

HEADQUARTERS
DEPARTMENT OF THE ARMY
WASHINGTON, D.C., 3 MAY 2000

CHANGE }
NO. 8 }

AVIATION UNIT AND INTERMEDIATE
TROUBLESHOOTING MANUAL
FOR
ARMY AH-64A HELICOPTER
(NSN 1520-01-106-9519) (EIC:RHA)
WIRING DIAGRAMS

DISTRIBUTION STATEMENT A: Approved for public release; distribution is unlimited.

TM 1-1520-238-T-10, 31 August 1992, is changed as follows:

1. Remove and insert pages as indicated below. New or changed text material is indicated by a vertical bar in the margin. An illustration change is indicated by a miniature pointing hand.

Remove pages

9-11 and 9-12
9-53 and 9-54
9-61 and 9-62
25-9 and 25-10

Insert pages

A through D

9-11 and 9-12
9-53 and 9-54
9-61 and 9-62
25-9 and 25-10

2. Retain this sheet in front of manual for reference purposes.

By Order of the Secretary of the Army:

Official:



Handwritten signature of Joel B. Hudson in cursive script.

JOEL B. HUDSON
Administrative Assistant to the
Secretary of the Army
0007005

ERIC K. SHINSEKI
General, United States Army
Chief of Staff

DISTRIBUTION:

To be distributed in accordance with Initial Distribution No. (IDN) 312949 requirements for
TM 1-1520-238-T-10.

HEADQUARTERS
DEPARTMENT OF THE ARMY
WASHINGTON D.C., 27 February 1998

CHANGE
NO. 7

AVIATION UNIT AND INTERMEDIATE
TROUBLESHOOTING MANUAL
FOR
ARMY AH-64A HELICOPTER
(NSN 1520-01-106-9519) (EIC:RHA)
WIRING DIAGRAMS

DISTRIBUTION STATEMENT A: Approved for public release; distribution is unlimited.

TM 1-1520-238-T-10, 31 August 1992, is changed as follows:

1. Remove and insert pages as indicated below. New or changed text material is indicated by a vertical bar in the margin. An illustration change is indicated by a miniature pointing hand.

Remove pages	Insert pages
1-5 and 1-6	1-5 and 1-6
1-13 and 1-14	1-13 and 1-14
1-14.1 and 1-14.2	1-14.1 and 1-14.2
1-17 through 1-22	1-17 through 1-22
1-29 and 1-30	1-29 and 1-30
1-45 and 1-46	1-45 and 1-46
1-49 and 1-50	1-49 and 1-50
1-53 and 1-54	1-53 and 1-54
1-54.1/(1-54.2 blank)	1-54.1/(1-54.2 blank)
1-59 through 1-68	1-59 through 1-68
1-71 through 1-74	1-71 through 1-74
1-77 through 1-88	1-77 through 1-88
1-93 through 1-106	1-93 through 1-106
1-117 and 1-118	1-117 and 1-118
1-127 and 1-128	1-127 and 1-128
1-129 through 1-132	1-129 through 1-132
1-139 and 1-140	1-139 and 1-140
1-151 through 1-154	1-151 through 1-154
1-160.1/(1-160.2 blank)	1-160.1/(1-160.2 blank)
9-21 and 9-22	9-21 and 9-22
21-1 and 21-2	21-1 and 21-2
21-5 through 21-7/(21-8 blank)	21-5 through 21-8
- - - -	21-9 through 21-11/(21-12 blank)
27-3 and 27-4	27-3 and 27-4
27-51 and 27-52	27-51 and 27-52
27-75/(27-76 blank)	27-75 and 27-76

- - - -	27-77 and 27-78
Index-1 through Index-9/(Index-10 blank)	Index-1 through Index-10
- - - -	Index-11(Index-12 blank)

2. Retain this sheet in front of manual for reference purposes.

By Order of the Secretary of the Army:

Official:



JOEL B. HUDSON
Administrative Assistant to the
Secretary of the Army
04761

DENNIS J. REIMER
General, United States Army
Chief of Staff

DISTRIBUTION:

To be distributed in accordance with Initial Distribution No. (IDN) 312949 requirements for
TM 1-1520-238-T-10.

CHANGE }
NO. 6 }

HEADQUARTERS
DEPARTMENT OF THE ARMY
WASHINGTON, D.C., 19 December 1997

AVIATION UNIT AND INTERMEDIATE
TROUBLESHOOTING MANUAL
FOR
ARMY AH-64A HELICOPTER
(NSN 1520-01-106-9519) (EIC:RHA)
WIRING DIAGRAMS

DISTRIBUTION STATEMENT A: Approved for public release; distribution is unlimited.

TM 1-1520-238-T-10, 31 August 1992, is changed as follows:

1. Remove and insert pages as indicated below. New or changed text material is indicated by a vertical bar in the margin. An illustration change is indicated by a miniature pointing hand.

Remove pages	Insert pages
i and ii	i and ii
1-1 through 1-6	1-1 through 1-6
1-13 and 1-14	1-13 and 1-14
1-14.1/(1-14.2 blank)	1-14.1 and 1-14.2
1-17 through 1-38	1-17 through 1-38
1-43 and 1-44	1-43 and 1-44
1-49 through 1-54	1-49 through 1-54
----	1-54.1/(1-54.2 blank)
1-55 through 1-60	1-55 through 1-60
1-65 through 1-68	1-65 through 1-68
1-71 through 1-88	1-71 through 1-88
1-93 through 1-100	1-93 through 1-100
1-103 through 1-106	1-103 through 1-106
1-113 through 1-118	1-113 through 1-118
1-120.1/(1-120.2 blank)	1-120.1 and 1-120.2
1-125 through 1-128	1-125 through 1-128
1-128.1/(1-128.2 blank)	1-128.1 and 1-128.2
1-139 and 1-140	1-139 and 1-140
1-153 and 1-154	1-153 and 1-154
1-160.1/(1-160.2 blank)	1-160.1/(1-160.2 blank)
1-161 through 1-166	1-161 through 1-166
1-173 through 1-178	1-173 through 1-178
1-181 and 1-182	1-181 and 1-182
1-185 and 1-186	1-185 and 1-186
3-3 through 3-6	3-3 through 3-6
3-13 and 3-14	3-13 and 3-14
4-7 through 4-10	4-7 through 4-10
5-1 and 5-2	5-1 and 5-2

Remove pages

6-1 and 6-2
6-7 and 6-8
6-11 through 6-17/6-18 (blank)

8-5 and 8-6
9-9 and 9-10
9-31 through 9-34
9-51 and 9-52
9-63 through 9-66
12-19 and 12-20
12-29 and 12-30
13-5 through 13-8
14-9 through 14-12
15-3 and 15-4
19-5 and 19-6
20-13 and 20-14
20-17 and 20-18
24-5 and 24-6
25-7 through 25-10
25-13 and 25-14
27-39 through 27-42
27-47 and 27-48
Glossary-7 and Glossary-8
Index-5 and Index-6

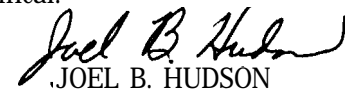
Insert pages

6-1 and 6-2
6-7 and 6-8
6-11 through 6-18
6-19 through 6-24
8-5 and 8-6
9-9 and 9-10
9-31 through 9-34
9-51 and 9-52
9-63 through 9-66
12-19 and 12-20
12-29 and 12-30
13-5 through 13-8
14-9 through 14-12
15-3 and 15-4
19-5 and 19-6
20-13 and 20-14
20-17 and 20-18
24-5 and 24-6
25-7 through 25-10
25-13 and 25-14
27-39 through 27-42
27-47 and 27-48
Glossary-7 and Glossary-8
Index-5 and Index-6

2. Retain this sheet in front of manual for reference purposes.

By Order of the Secretary of the Army:

Official:



JOEL B. HUDSON
Administrative Assistant to the
Secretary of the Army
04576

DENNIS J. REIMER
General, United States Army
Chief of Staff

DISTRIBUTION:

To be distributed in accordance with Initial Distribution No. (IDN) 312949, requirements for
TM 1-1520-238-T-10.

AVIATION UNIT AND INTERMEDIATE
TROUBLESHOOTING MANUAL
FOR
ARMY AH-64A HELICOPTER
(NSN 1520-01-106-9519) (EIC:RHA)
WIRING DIAGRAMS

**DISTRIBUTION STATEMENT A: Approved for public release; distribution is unlimited.
TM 1-1520-238-T-10, 31 August 1992, is changed as follows:**

1. Remove and insert pages as indicated below. New or changed text material is indicated by a vertical bar in the margin. An illustration change is indicated by a miniature pointing hand.

Remove pages

i and ii
1-3 through 1-6
1-9 and 1-10
1-13 and 1-14

1-15 and 1-16
1-19 through 1-24
1-27 through 1-32
1-35 through 1-38
1-45 through 1-50
1-53 through 1-66
1-69 through 1-78
1-81 through 1-84
1-91 through 1-120.1/(1-120.2 blank)
1-127 and 1-128
1-131 through 1-134
1-139 through 1-142
1-147 and 1-148
1-157 through 1-160

1-161 and 1-162
1-173 through 1-176
1-181 through 1-188
6-9 through 6-12
9-21 through 9-24
12-25 and 12-26
14-9 and 14-10
16-3A16-4 blank)
19-3 through 19-10

Insert pages

i and ii
1-3 through 1-6
1-9 and 1-10
1-13 and 1-14
1-14.1/(1-14.2 blank)
1-15 and 1-16
1-19 through 1-24
1-27 through 1-32
1-35 through 1-38
1-45 through 1-50
1-53 through 1-66
1-69 through 1-78
1-81 through 1-84
1-91 through 1-120.1/(1-120.2 blank)
1-127 and 1-128
1-131 through 1-134
1-139 through 1-142
1-147 and 1-148
1-157 through 1-160
1-160.1/(1-160.2 blank)
1-161 and 1-162
1-173 through 1-176
1-181 through 1-188
6-9 through 6-12
9-21 through 9-24
12-25 and 12-26
14-9 and 14-10
16-3/(16-4 blank)
19-3 through 19-10

Remove pages

19-10.1 and 19-10.2
19-17/(19-18 blank)
20-1 and 20-2
20-5 through 20-8
20-8.1 through 20-8.5/(20-8.6 blank)
20-9 and 20-10
20-15/(20-16 blank)
20-17 and 20-18
21-5 and 21-6
25-17 and 25-18
27-1 through 27-4
27-7 through 27-10
27-43 and 27-44
27-44.1 through 27-44.4
27-47 through 27-50
27-50.1/(27-50.2 blank)
27-51 and 27-52
Glossary-3 through Glossary-10
Index-1 and Index-2
Index-5 through Index-8

2. Retain this sheet in front of manual for reference purposes.

By Order of the Secretary of the Army.

Official:

JOEL B. HUDSON
*Administrative Assistant to the
Secretary of the Army*
2591

Insert pages

19-17 and 19,18
20-1 and 20-2
20-5 through 20-8

20-9 and 20-10
20-15 and 20-16

21-5 and 21-6
25-17 and 25-i8
27-1 through 27-4
27-7 through 27-10
27-43 and 27-44

27-47 through 27-50

27-51 and 27-52
Glossary-3 through Glossary-10
Index-1 and Index-2
Index-5 through Index-8

DENNIS J. REIMER
*General, United States Army
Chief of Staff*

DISTRIBUTION: To be distributed in accordance with DA Form 12-31-E, block no. 2948, requirements for TM 1-1520-238-T-10

CHANGE
NO. 4

HEADQUARTERS
DEPARTMENT OF THE ARMY
WASHINGTON, D. C., 1 February 1996

AVIATION UNIT AND INTERMEDIATE
TROUBLESHOOTING MANUAL
FOR
ARMY AH-64A HELICOPTER
(NSN 1520-01-106-9519) (EIC: RHA)
WIRING DIAGRAMS

DISTRIBUTION STATEMENT A: Approved for public release; distribution is unlimited

TM 1-1520-238-T-10, 31 August 1992, is changed as follows:

1. Remove and insert pages as indicated below. New or changed text material is indicated by a vertical bar in the margin. An illustration change is indicated by a miniature pointing hand.

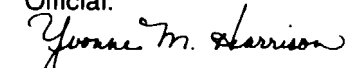
Remove pages	Insert pages
1-13 and 1-14	1-13 and 1-14
2-5 and 2-6	2-5 and 2-6
9-9 and 9-10	9-9 and 9-10
9-35 and 9-36	9-35 and 9-36
9-39 and 9-40	9-39 and 9-40
9-43 and 9-44	9-43 and 9-44
9-51 and 9-52	9-51 and 9-52
12-23 and 12-24	12-23 and 12-24
12-29 through 12-32	12-29 through 12-32
12-37 and 12-38	12-37 and 12-38
13-3 and 13-10	13-3 and 13-10
13-13 and 13-14	13-13 and 13-14
20-13 through 20-15/(20-16 blank)	20-13 through 20-15/(20-16 blank)
23-5 and 23-6	23-5 and 23-6
24-3 and 24-4	24-3 and 24-4

2. Retain this sheet in front of manual for reference purposes

TM 1-1520-238-T-10
C4

By Order of the Secretary of the Army :

Official:



YVONNE M. HARRISON

*Administrative Assistant to the
Secretary of the Army*
01293

DENNIS J. REIMER
*General, United States Army
Chief of Staff*

DISTRIBUTION:

To be distributed in accordance with DA Form 12-31-E, block no. 2948, requirements for
TM 1-1520-238-T-10

CHANGE
NO. 3

AVIATION UNIT AND INTERMEDIATE
TROUBLESHOOTING MANUAL
FOR
ARMY MODEL
AH-64A HELICOPTER
NSN 1520-01-106-9519 (EIC: RHA)
WIRING DIAGRAMS

HEADQUARTERS
DEPARTMENT OF THE ARMY
WASHINGTON, D. C., 28 December 1994

DISTRIBUTION STATEMENT A: Approved for public release; distribution is unlimited

TM 1- 1520-238-T- 10, 31 August 1992, is changed as follows:

1. Remove and insert pages as indicated below. New or changed text material is indicated by a vertical bar in the margin. An illustration change is indicated by a miniature pointing hand.

Remove pages

1-7 and 1-8
1-13 and 1-14
4-3 and 4-4
8-3 through 8-6
9-35 and 9-36

Insert pages

1-7 and 1-8
1-13 and 1-14
4-3 and 4-4
8-3 through 8-6
9-35 and 9-36

Remove pages

11-3 and 11-4
11-13 and 11-14
18-13/(18-14 blank)
24-5 and 24-6
27-45 and 25-46

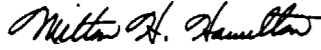
Insert pages

11-3 and 11-4
11-13 and 11-14
18-13/(18-14 blank)
24-5 and 24-6
27-45 and 25-46

2. Retain this sheet in front of manual for reference purposes.

By Order of the Secretary of the Army:

Official:


MILTON H. HAMILTON
Administrative Assistant to the
Secretary of the Army

07942

GORDON R. SULLIVAN
General, United States Army
Chief of Staff

DISTRIBUTION:

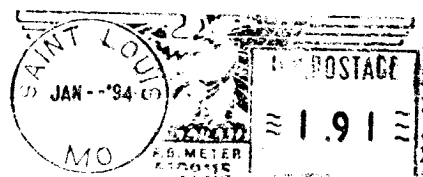
To be distributed in accordance with DA Form 12-31-E, block no. 2948, requirements for
TM 1-1520-238-T-10.

OFFICIAL BUSINESS
DO NOT FORWARD OR RETURN -- ADDRESS COR.

EXECUTIVE DIRECTOR
USAMC LOG SPT ACTV
ATTN AMXLS-AP
REDSTONE ARS

M0497

AL 35898-7466



TECHNICAL MANUAL

Aviation Unit and Intermediate Troubleshooting Manual

AH-64 Helicopter

TM 1-1520-238-T-10, 31 August 1992, is changed as follows:

1. Remove and insert pages as indicated below. New or changed text material is indicated by a vertical bar in the margin. An illustration change is indicated by a miniature pointing hand.

DA PUBLICATION/FORM NUMBER		CHG OR DATE	
TM 1-1520-238-T-10		002	
LOCATION	QUANTITY	UNIT OF ISSUE	ACTION
B-1	2	INITIAL-DIST.	
PKG SIZE	ITEM NO.	BULK/RCP DATE	SLAPDC CONTROL NO
9393-7466			D-0000-21206

USAPDC-S LABEL 4-26S (28 JULY 88) PREVIOUS EDITION MAY BE USED TILL EXHAUSTED

Remove pages

- ✓ i and ii
- ✓ 1-13 and 1-14
- ✓ 1-27 and 1-28
- ✓ 1-53 and 1-54
- ✓ 1-67 and 1-68
- 1-75 through 1-78
- 1-81 and 1-82
- 1-95 and 1-96
- 1-119 and 1-120
- 1-120.1/(1-120.2 blank)
- 1-121 and 1-122
- 1-125 through 1-128
- 1-129 and 1-130
- 1-149 and 1-150
- 1-177 and 1-178
- 1-185 through 1-188
- 3-3 through 3-6
- 4-7 through 4-10
- 6-9 and 6-10
- 9-13 through 9-16
- 9-53 and 9-54

Insert pages

- i and ii
- 1-13 and 1-14
- 1-27 and 1-28
- 1-53 and 1-54
- 1-67 and 1-68
- 1-75 through 1-78
- 1-81 and 1-82
- 1-95 and 1-96
- 1-119 and 1-120
- 1-120.1/(1-120.2 blank)
- 1-121 and 1-122
- 1-125 through 1-128
- 1-129 and 1-130
- 1-149 and 1-150
- 1-177 and 1-178
- 1-185 through 1-188
- 3-3 through 3-6
- 4-7 through 4-10
- 6-9 and 6-10
- 9-13 through 9-16
- 9-53 and 9-54

Remove pages

- ✓ 9-59 and 9-60
- ✓ 12-11 and 12-12
- ✓ 12-17 and 12-18
- ✓ 12-21 through 12-24
- ✓ 13-13 through 13-16
- ✓ 14-9 and 14-10
- ✓ 16-3/(16-4 blank)
- ✓ 18-1 and 18-2
- ✓ 20-9 through 20-15/(20-16 blank)
- ✓ 23-7 and 23-8
- ✓ 25-13 and 25-14
- ✓ 27-1 and 27-2
- ✓ 27-29 and 27-30
- ✓ 27-33 and 27-34
- ✓ 27-41 and 27-42
-
- ✓ 27-44.1 and 27-44.2
- ✓ 27-47 through 27-50
- ✓ Index-3 and Index-4
- ✓ Index-7 and Index-8

Insert pages

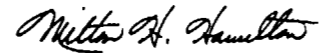
- 9-59 and 9-60
- 12-11 and 12-12
- 12-17 and 12-18
- 12-21 through 12-24
- 13-13 through 13-16
- 14-9 and 14-10
- 16-3/(16-4 blank)
- 18-1 and 18-2
- 20-9 through 20-15/(20-16 blank)
- 23-7 and 23-8
- 25-13 and 25-14
- 27-1 and 27-2
- 27-29 and 27-30
- 27-33 and 27-34
- 27-41 and 27-42
- 27-42.1/(27-42.2 blank)
- 27-44.1 and 27-44.2
- 27-47 through 27-50
- Index-3 and Index-4
- Index-7 and Index-8

2. Retain this sheet in front of manual for reference purposes.

DISTRIBUTION STATEMENT A: Approved for public release; distribution is unlimited.

By Order of the Secretary of the Army:

Official:



MILTON H. HAMILTON
*Administrative Assistant to the
Secretary of the Army*

05746

GORDON R. SULLIVAN
*General, United States Army
Chief of Staff*

DISTRIBUTION:

To be distributed in accordance with DA Form 12-31-E, block no. 2948, requirements for TM 1-1520-238-T-10.

22 Mar 93

CHANGE }
NO. 1 }

HEADQUARTERS
DEPARTMENT OF THE ARMY
WASHINGTON, D.C., 29 JANUARY 1993

TECHNICAL MANUAL
Aviation Unit and Intermediate
Troubleshooting Manual
for
Army Model AH-64A Helicopter
(NSN 1520-01-106-9519) (EIC: RHA)
Wiring Diagrams

TM 1-1520-238-T-10, 31 August 1992, is changed as follows:

1. Remove and insert pages as indicated below. New or changed text material is indicated by a vertical bar in the margin. An illustration change is indicated by a miniature pointing hand.

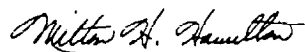
Remove pages	Insert pages	Remove pages	Insert pages
1-13 through 1-20	1-13 through 1-20	9-45 through 9-50	9-45 through 9-50
1-27 and 1-28	1-27 and 1-28	11-7 through 11-12	11-7 through 11-12
1-35 through 1-38	1-35 through 1-38	12-1 through 12-12	12-1 through 12-12
1-43 through 1-46	1-43 through 1-46	12-15 through 12-24	12-15 through 12-24
1-49 through 1-58	1-49 through 1-58	12-27 through 12-38	12-27 through 12-38
1-63 and 1-64	1-63 and 1-64	13-7 and 13-8	13-7 and 13-8
1-67 through 1-70	1-67 through 1-70	15-3 and 15-4	15-3 and 15-4
1-73 through 1-76	1-73 through 1-76	18-13/(18-14 blank)	18-13/(18-14 blank)
1-81 through 1-84	1-81 through 1-84	19-17 and 19-18	19-17 and 19-18
1-93 through 1-96	1-93 through 1-96	20-1 through 20-4	20-1 through 20-4
1-99 and 1-100	1-99 and 1-100	20-13/(20-14 blank)	20-13 and 20-14
1-105 and 1-106	1-105 and 1-106	-----	20-15/(20-16 blank)
1-111 through 1-114	1-111 through 1-114	21-3 and 21-4	21-3 and 21-4
1-119 and 1-120	1-119 and 1-120	22-3 through 22-9/(22-10 blank)	22-3 through 22-9/(22-10 blank)
-----	1-120.1/(1-120.2 blank)	23-1 and 23-2	23-1 and 23-2
1-123 through 1-128	1-123 through 1-128	25-9 and 25-10	25-9 and 25-10
-----	1-128.1/(1-128.2 blank)	25-13 and 25-14	25-13 and 25-14
1-133 through 1-136	1-133 through 1-136	25-17 and 25-18	25-17 and 25-18
1-139 and 1-140	1-139 and 1-140	27-1 and 27-2	27-1 and 27-2
1-159 through 1-162	1-159 through 1-162	27-23 through 27-30	27-23 through 27-30
1-165 and 1-166	1-165 and 1-166	27-35 through 27-38	27-35 through 27-38
1-181 through 1-184	1-181 through 1-184	27-43 and 27-44	27-43 and 27-44
6-11 through 6-14	6-11 through 6-14	-----	27-44.1 and 27-44.2
9-25 and 9-26	9-25 and 9-26	Index-1 through Index-4	Index-1 through Index-4
9-33 and 9-34	9-33 and 9-34	Index-7 and Index-8	Index-7 and Index-8

2. Retain this sheet in front of manual for reference purposes.

DISTRIBUTION STATEMENT A: Approved for public release; distribution is unlimited.

By Order of the Secretary of the Army:

Official:


MILTON H. HAMILTON
*Administrative Assistant to the
Secretary of the Army*
03444

GORDON R. SULLIVAN
*General, United States Army
Chief of Staff*

DISTRIBUTION:

To be distributed in accordance with DA Form 12-31-E, block no. 2948, requirements for
TM 1-1520-238-T-10.

AVIATION UNIT AND INTERMEDIATE
TROUBLESHOOTING MANUAL

FOR

ARMY AH-64A HELICOPTER
(NSN 1520-01-106-9519) (EIC: RHA)

WIRING DIAGRAMS

HEADQUARTERS
DEPARTMENT OF THE ARMY
WASHINGTON, D. C., 31 August 1992

REPORTING ERRORS AND RECOMMENDING IMPROVEMENTS

You can help improve this manual. If you find any mistakes, or if you know of a way to improve the procedures, please let us know. Mail your letter, DA Form 2028 (Recommended Changes to Publications and Blank Forms), or DA Form 2028-2 located in the back of this manual directly to: Commander, U.S. Army Aviation and Missile Command, ATTN: AMSAM-MMC-MA-NP, Redstone Arsenal, AL 35898-5230. A reply will be furnished directly to you.

You may also submit your recommended changes by E-mail directly to 2028@redstone.army.mil or by fax 205-842-6546/DSN 788-6546. Instructions for sending an electronic 2028 may be found at the end of this manual immediately preceding the hard copy 2028.

OZONE DEPLETING CHEMICAL INFORMATION:

This document has been reviewed for the presence of Class I Ozone depleting chemicals. As of Change 7 dated 27 February 1998, all references to Class I Ozone depleting chemicals have been removed from this documentation by substitution with chemicals that do not cause atmospheric Ozone depletion.

TABLE OF CONTENTS

	<u>Title</u>	<u>Page No.</u>
CHAPTER 1	INTRODUCTION	1-1
Section I	General Information	1-2
Section II	Symbols Chart	1-3
Section III	Connector End Views	1-4
Section IV	Effectivity Codes	1-14.1
Section V	Wiring Diagram Directory	1-15
CHAPTER 2	AIR DATA SYSTEM (ADS) WIRING DIAGRAM	2-1
CHAPTER 3	AERIAL ROCKET CONTROL SYSTEM (ARCS) WIRING DIAGRAM	3-1
CHAPTER 4	AREA WEAPON SYSTEM (AWS) WIRING DIAGRAM	4-1
CHAPTER 5	AUXILIARY POWER UNIT (APU) WIRING DIAGRAM	5-1
CHAPTER 6	COMMUNICATIONS SYSTEM WIRING DIAGRAM	6-1

DISTRIBUTION STATEMENT A: Approved for public release; distribution is unlimited.

*** SUPERSEDURE NOTICE: This manual supersedes TM 1-1520-238-T-10, dated 05 SEPTEMBER 1990, including all changes.**

TABLE OF CONTENTS (cont)

	<u>Title</u>	<u>Page No.</u>
CHAPTER 7	CHAFF DISPENSER SYSTEM – WIRING DIAGRAM	7-1
CHAPTER 8	DRIVE SYSTEM WIRING DIAGRAM	8-1
CHAPTER 9	ELECTRICAL SYSTEM WIRING DIAGRAM	9-1
CHAPTER 10	ENVIRONMENTAL CONTROL SYSTEM (ECS) WIRING DIAGRAM	10-1
CHAPTER 11	EXTERNAL STORES WIRING DIAGRAM	11-1
CHAPTER 12	FLIGHT CONTROL SYSTEM WIRING DIAGRAMS	12-1
CHAPTER 13	FUEL SYSTEM WIRING DIAGRAM	13-1
CHAPTER 14	HELLFIRE MISSILE – WIRING DIAGRAM	14-1
CHAPTER 15	HYDRAULIC AND PNEUMATIC SYSTEM WIRING DIAGRAM	15-1
CHAPTER 16	IDENTIFICATION FRIEND OR FOE (IFF) SYSTEM WIRING DIAGRAM	16-1
CHAPTER 17	INTEGRATED HELMET AND DISPLAY SIGHT SYSTEM (IHADSS) WIRING DIAGRAM	17-1
CHAPTER 18	INSTRUMENTS SYSTEM WIRING DIAGRAM	18-1
CHAPTER 19	MULTIPLEX – WIRING DIAGRAM	19-1
CHAPTER 20	NAVIGATION SYSTEM WIRING DIAGRAM	20-1
CHAPTER 21	PENETRATION AIDS AND COUNTERMEASURES SYSTEM WIRING DIAGRAM	21-1
CHAPTER 22	PILOT NIGHT VISION SENSOR (PNVS) SYSTEM WIRING DIAGRAM	22-1
CHAPTER 23	POWER PLANTS WIRING DIAGRAM	23-1
CHAPTER 24	TARGET ACQUISITION DESIGNATION SIGHT (TADS) SYSTEM WIRING DIAGRAM	24-1
CHAPTER 25	UTILITY SYSTEM WIRING DIAGRAMS	25-1
CHAPTER 26	VIDEO EQUIPMENT SYSTEM WIRING DIAGRAM	26-1
CHAPTER 27	WIRE HARNESS LOCATION AND ROUTING DIAGRAMS	27-1
	APPENDIX A	A-1
	GLOSSARY	Glossary-1
	INDEX	Index-1

HOW TO USE THIS VOLUME

OVERVIEW

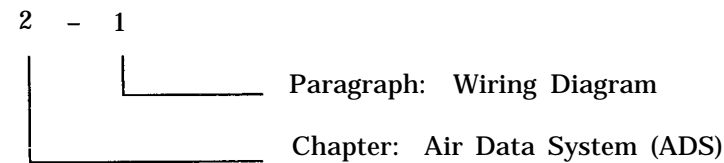
This volume contains wiring diagrams which provide point-to-point wiring for each aircraft system. The diagrams show LRUS, cable interfaces, splices, shielding, ground studs, etc. Each cable location and connection can be found in the wire harness location and routing diagrams. This volume also contains connector end view diagrams and a symbols chart for the various wiring diagram symbols used.

GENERAL

If you can't find information, you can't do the job. Learn how to use this volume. Check how the volume is put together. Look at the following examples. Before using the volume, learn how it works.

This volume is made up of chapters. The chapters are made up of paragraphs which are numbered. Every job and the information you need has a number. This will help you find it when you need it.

Example: paragraph number: 2-1



VOLUMES

This volume is volume ten of a ten volume set of manuals.

TM 1-1520-238-T-1 Fault Detection/Location System (FD/LS). TM 1-1520-238-T-1 is a pocket-sized volume which integrates all FD/LS checks, power up and power down procedures, auxiliary power unit (APU) operating and emergency procedures, and references to the appropriate volume(s) to aid in fault isolation.

TM 1-1520-238-T-2 Master Failure Symptom Index. TM 1-1520-238-T-2 lists all integrated troubleshooting failure symptoms in alphabetical order. Each failure symptom refers you to the appropriate MOC in another volume. Additional troubleshooting information can be found by using the display symbology data found in chapter 1. You can refer to this volume for all types of failures, i.e., audio/visual, loss of power, short or open exists, etc.

TM 1-1520-238-T-3 Multiplex (MUX) Read Codes. TM 1-1520-238-T-3 contains Multiplex (MUX) Read Code interpretations by subsystem. You are directed to go to this volume from MOCS in subsystem volumes. You can use this volume as an aid to interpret Multiplex (MUX) Read Codes and locate faults. You are directed to the appropriate system volume, to remove or replace a failed LRUS or to a failure symptom within this volume.

TM 1-1520-238-T-4 Aviation Unit and Intermediate Troubleshooting Manual. TM 1-1520-238-T-4 contains system location and description, theory of operation, electrical component location and configuration (ECLC) index, power up/power down procedures, MOCs, wiring interconnect diagrams, and fault isolation procedures (FIPs). The following subsystems are covered in this volume:

- Airframe.
- Landing Gear.

- Power Plants.
- Rotors.
- Drive.

TM 1-1520-238-T-5 Aviation Unit and Intermediate Troubleshooting Manual.

TM 1-1520-238-T-5 contains system location and description, theory of operation, ECLC index, power up/power down procedures, MOCS, wiring interconnect diagrams, and FIPs. The following subsystems are covered in this volume:

- Hydraulic and Pneumatic.
- Instruments.

TM 1-1520-238-T-6 Aviation Unit and Intermediate Troubleshooting Manual.

TM 1-1520-238-T-6 contains subsystem location and description, theory of operation, ECLC index, power up/power down procedures, MOCS, wiring interconnect diagrams, FIPs and FD/LS NO-GO FIPs. The following subsystem is covered in this volume:

- Electrical.

TM 1-1520-238-T-7 Aviation Unit and Intermediate Troubleshooting Manual.

TM 1-1520-238-T-7 contains system location and description, theory of operation, ECLC index, power up/power down procedures, MOCS, wiring interconnect diagrams, FIPs and FD/LS NO-GO FIPs. The following subsystems are covered in this volume:

- Fuel.
- Flight Control.

TM 1-1520-238-T-8 Aviation Unit and Intermediate Troubleshooting Manual.

TM 1-1520-238-T-8 contains system location and description, theory of operation, ECLC index, power up/power down procedures, MOCS, wiring interconnect diagrams, FIPs and FD/LS NO-GO FIPs. The following subsystems are covered in this volume:

- Utility.
- Environmental Control.
- Hoists and Winches (not applicable).
- Auxiliary Power Unit.
- Mission Equipment.

TM 1-1520-238-T-9 Theory of Operation. TM 1-1520-238-T-9 contains description and theory of operation for each aircraft subsystem. This information includes signal flow diagrams for major system functions and explanatory text with the appropriate signal name for each input or output. This information can be used to isolate unanticipated faults for failure symptoms or related data which do not exist.

HOW TO USE THIS VOLUME (cont)

CHAPTERS

Each chapter contains paragraphs. Chapter 1 contains general information, a symbols chart, connector end views and effectivity codes.

SECTIONS

Depending upon the subject matter under examination, chapters may employ sections to separate and highlight major categories of information and also to promote understanding.

SECTION NUMBERING

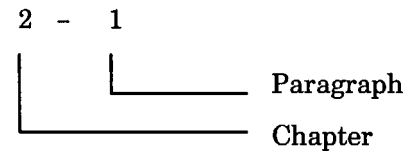
Sections are numbered with Roman numerals (Section I, Section II, etc.).

PARAGRAPHS

Paragraphs make up chapters. It is the paragraphs that have the information you need for any job. USE THE INDEX TO FIND THE PARAGRAPH YOU NEED. DONT USE THE PAGE NUMBERS.

PARAGRAPH NUMBERING

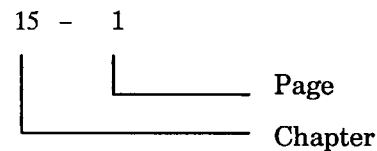
Paragraph numbers are in two parts. The first number is the chapter, The second number is the paragraph. Each number is separated by a dash as shown in the example.



Paragraph numbers are the most important numbers in the volume. Always use the paragraph number to find information – NOT the page number.

PAGE NUMBERING

All page numbering is done by chapters. Paragraph numerals are not included in the page numbers. The first number represents the chapter the second number represents the page in that chapter. The numbers are separated by a dash as shown in the example.



NOTE

Page numbers are not used to find information. Instead, use paragraph numbers.

SYMBOLS CHART

Symbols used in the wiring diagrams are shown in a symbol chart. If you need symbol information, refer to the symbol chart located in Chapter 1.

CONNECTOR END VIEWS

This volume contains connector end views with a directory. The directory is in alphabetical order by reference designator (REF DES). The directory also lists the wire (WIRE) harness (HARN) number (NO.) and connector (CONN) code (CODE). If you require connector information, lookup the reference designator in the directory, then refer to the connector end view illustration listed under the connector code.

Example:

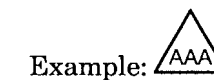
<u>CONN REF DES</u>	<u>WIRE HARN NO.</u>	<u>CONN CODE</u>
J1	W617	CN
J1	W618	FF
J1	W619	FL

AH-64A HELICOPTER EFFECTIVITY CODES

Helicopter effectivity codes designate differences between helicopters by helicopter serial numbers. These codes consist of three letters and represent various helicopter serial number blocks. They are used throughout this volume as necessary to aid in the helicopter troubleshooting effort.

These codes are used to designate serial number block differences.

These codes are placed on the line between line replaceable units (LRUs) or within the LRU.



To use the helicopter effectivity codes, note the helicopter serial number on the tail of the helicopter. Use this serial number to determine which path in a wiring diagram to follow.

WIRING DIAGRAM DIRECTORY

The wiring diagram directory is in alphabetical order by reference designator (REF DES). Looking up the reference designator of a connector, splice, ground stud, circuit breaker, component, or LRU provides you with the cable reference, paragraph number and the applicable wiring diagram.

Example:

<u>REF DES</u>	<u>COMPONENT</u>	<u>CABLE</u>	<u>PARA</u>	<u>WIRING DIAGRAM</u>
1J1 (A636)	CONNECTOR	W211	2-1	AIR DATA SYSTEM (ADS)
P1 (A76)	CONNECTOR	W605	3-1	AERIAL ROCKET CONTROL SYSTEM (ARCS)

HOW TO USE THIS VOLUME (cont)

WIRING DIAGRAMS

The wiring diagrams provide you with point-to-point wiring for each aircraft system. The wiring diagrams depict LRUS, connectors, splices, shielding, ground studs, MRTU interfacing and terminal boards.

Highway use (fig. 1-1). The alpha character identifies a specific line, and the number in parenthesis identifies the sheet number where the signal terminates.

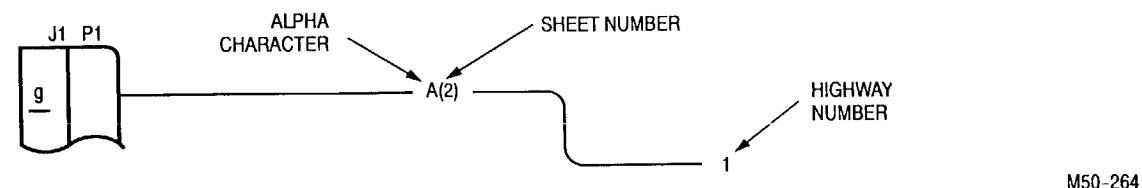


Figure 1-1. Highway Use

M50-264

Triaxial connectors (fig. 1-2) and some coaxial connectors are shown in the wiring diagrams with two pins.

Example: pin 1 and pin 1S.

Pin 1 is located inside pin 1S with the shield attached to pin 1S. In triaxial connectors, the second shield is attached to the case and is not identified by a pin number or letter.

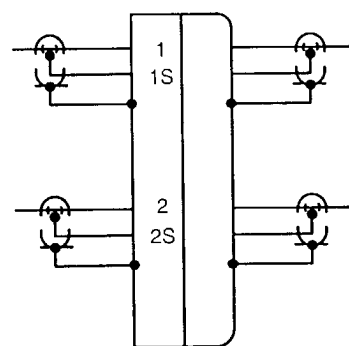


Figure 1-2. Triaxial Connector

M50-261

Electrical connections at terminal boards are typically shown (fig. 1-3) as follows:

1. Vertical and horizontal lines indicate electrical separation between terminals and blocks of terminals.
2. Absence of lines indicates no separation.
3. Terminal board connections may be illustrated horizontally, vertically or a combination of both.

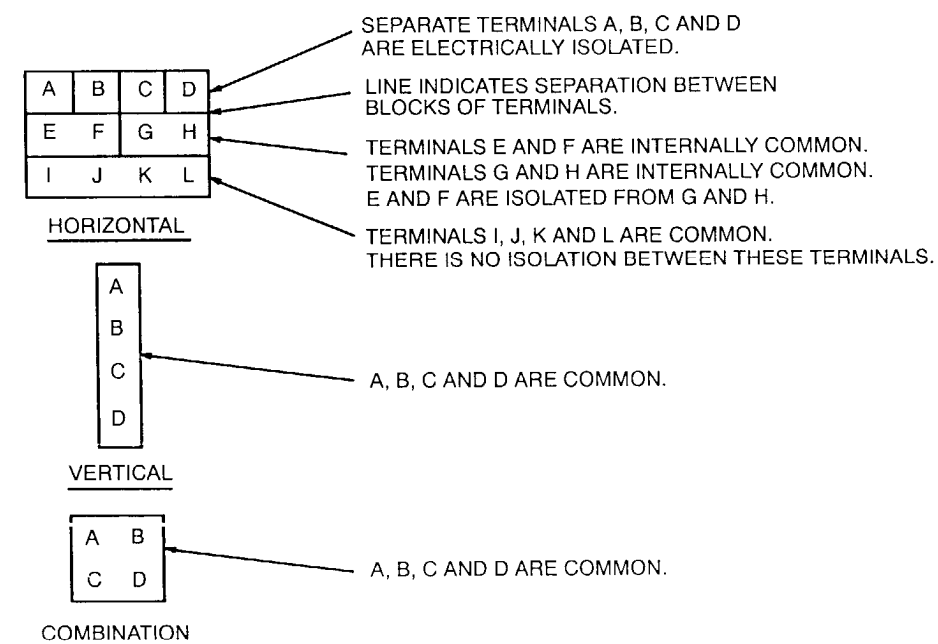


Figure 1-3. Typical Terminal Board Connections

WIRE HARNESS DIAGRAMS

Wire harness diagrams show the approximate location and routing of all connectors and components located on a wire harness. The components and connectors are referenced to fuselage station (FS), waterline (WL) and butt line (BL). Forward and aft views which refer to forward and aft in the helicopter, are used in the wire harness diagrams. Where required for clarity, **FWD and AFT arrows are used.**

APPENDIX

Appendix A contains a list of other manuals you might need to do your job.

GLOSSARY

The glossary for this volume contains a list of abbreviations and acronyms. Abbreviations are shortened terms for words. Acronyms are shortened terms for several words and usually use only the first letter of each word. Abbreviations and acronyms are defined the first time they are used within the text of the chapter where they are found. The list in the glossary however, provides a good place to check if there is any doubt. The glossary also contains definitions of unusual terms that appear in the volume. Check the list of definitions if you see a word in the volume that you're not sure of. It is always a good idea to look over the glossary and become familiar with abbreviations, acronyms and unusual terms.

INDEX

The index for TM 1-1520-238-T-10 is at the end of this volume. The index lists all paragraph titles in alphabetical order. After you find the paragraph title in the index, the appropriate paragraph is indicated. For example, if you need wiring information on the Air Data System, go to the **A** section of the index and look under Air Data System (ADS). There you will find:

<u>Subject</u>	<u>Para No.</u>
Air Data System (ADS) -Wiring Diagram.	2-1

The index informs you that the Air Data System (ADS) Wiring Diagram is in Chapter 2, paragraph 1.

CHAPTER 1 INTRODUCTION

Chapter 1 contains general information, symbols chart, connector end views and effectivity codes to help in the troubleshooting of the AH-64A helicopter.

<u>Para Title</u>	<u>Para No.</u>
Section I. GENERAL INFORMATION	
Scope	1-1
Maintenance Forms, Records and Reports	1-2
Destruction of Army Material to Prevent Enemy Use	1-3
Quality Assurance/Quality Control (QA/QC)	1-4
Reporting Quality Deficiency Reports	1-5
Section II. SYMBOLS CHART	
Section III .CONNECTOR END VIEWS	
Connector End View Directory	1-6
Connector End View Diagrams	1-7
Section IV. EFFECTIVITY CODES	
Section V . WIRING DIAGRAM DIRECTORY	

Section I. GENERAL INFORMATION

1-1. SCOPE

This volume is an Aviation Unit Maintenance (AVUM) manual. Its purpose is to provide the means to assist you in troubleshooting the AH-64A helicopter through the use of wiring diagrams.

1-2. MAINTENANCE FORMS, RECORDS, AND REPORTS

Department of the Army forms and procedures used for equipment maintenance will be those described by DA PAM 738-751, The Army Maintenance Management System - Aircraft (TAMMS-A).

1-3. DESTRUCTION OF ARMY MATERIAL TO PREVENT ENEMY USE

Destruction procedures you need to know are in TM 750-244-1-5.

1-4. QUALITY ASSURANCE/QUALITY CONTROL (QA/QC)

Quality assurance information you are required to use is explained in FM 55-411.

1-5. REPORTING QUALITY DEFICIENCY REPORTS

If your helicopter needs improvement, let us know. Send us an Equipment Improvement Recommendation (EIR). You, the user, are the only one who can tell us what you don't like about your equipment. Let us know what you don't like about the design. Tell us why a procedure is hard to perform. Put it on SF 368 (Deficiency Report). Mail it to us at:

Commander, U.S. Army Aviation and Missile Command, Attn: AMSAM-MMC-LS-P, Redstone Arsenal, AL 35898-5230. A reply will be furnished to you.

Section II. SYMBOLS CHART

EXTERNAL JACK/PLUG UPPER		PRESSURE SWITCH		COAX		SOLDERED CONNECTION		RESISTOR		TRANSFORMER		POLARIZED CAPACITOR		LIQUID LEVEL SENSOR	
EXTERNAL JACK/PLUG LOWER		MOMENTARY SWITCH		TRIAx		SPLICE		VARIABLE RESISTOR		TRANSFORMER WITH MAGNETIC-CORE		CAPACITOR		EXPLOSIVE SQUIB	
INTERNAL JACK/PLUG UPPER		THERMAL SWITCH		SHIELD		END CAP		FIXED TAP RESISTOR		RELAY COIL		LAMP		INVERTED AND LOGIC GATE	
INTERNAL JACK/PLUG LOWER		FLOAT SWITCH		BUS BAR W3		FUSE		NONLINEAR RESISTOR		INDUCTOR		MICROPHONE		BITE INDICATOR	
SINGLE POLE SWITCHES		SQUAT SWITCH		TERMINAL GROUND STUD		CONTACT CIRCUIT BREAKER		PRESSURE TRANSDUCER		HOLDING COIL		HEADSET		INDICATOR LIGHT	
DOUBLE POLE SWITCHES		FLOAT VALVE		GROUND STUD		SINGLE CELL BATTERY		DIODE		GENERATOR		ANTENNA		TEMPERATURE SENSOR	
DOUBLE POLE DOUBLE CONTACT SWITCH		PRESSURE ACTUATOR (HYDRAULIC)		GROUND		MULTICELL BATTERY		BIDIRECTIONAL DIODE		MOTOR		BRIDGE-TYPE RECTIFIER		TEMPERATURE TRANSDUCER	
MAGNETIC SWITCH		TEMPERATURE ACTUATOR (THERMOCOUPLE)		CHASSIS GROUND		10TH CELL TAP		ZENER DIODE		ELECTROMAGNETIC ACTUATOR		DIODE-TYPE RING DEMODULATOR/MODULATOR		DELTA FOR EFFECTIVITY CODE	
		MASTER IGNITION SWITCH		TWISTED WIRES		RELAY SOCKET		BIDIRECTIONAL ZENER DIODE		CHIP DETECTOR		PERMANENT MAGNET			
		ROTARY SWITCHES						ZENER DIODE WITH ENVELOPE		WIRE HARNESS NUMBER		PHASE		CYCLIC STICK SWITCHES	
						OVER CURRENT SWITCH		PNP BIPOLAR TRANSISTOR		AC DELTA SPLITTER		ROTATING SLIP RING AND BRUSH			
								NPN BIPOLAR TRANSISTOR				THERMOCOUPLE			
								ELECTRONIC FLASH TUBE							

Section III. CONNECTOR END VIEWS

1-6. CONNECTOR END VIEW DIRECTORY

The connector end view directory lists connectors in alphabetical order by connector (CONN) reference designator (REF DES). The directory also lists the wire (WIRE) harness (HARN) number (NO.) and connector (CONN) code (CODE). When you require connector information, look up the reference designator in the directory, then refer to the connector end view illustration listed under connector code.

CONNECTOR END VIEW DIRECTORY

CONN REF DES	WIRE HARN NO.	CONN CODE	CONN REF DES	WIRE HARN NO.	CONN CODE
1J505	W157	DM	J1	W616	DB
1J508	W157	EO	J1	W617	CN
2J505	W157	DM	J1	W618	FF
2J508	W157	EO	J1	W619	FL
3J505	W158	DM	J1	W621	CM
3J508	W158	EO	J1	W622	FL
4J505	W158	DM	J1	W624	DI
4J508	W158	EO	J1	W625	FL
J1	W214	BX	J1	W627	DB
J1	W215	BX	J1	W645	GA
J1	W602	CH	J1	W642	FL
J1	W605	EY	J1	W646	FL
J1	W608	CN	J1	W651	ET
J1	W610	FE	J1	W652	FL
J1	W611	FE	J1	W656	FF
J1	W612	FL	J10	W668	DH
J1	W613	CL	J10	W646	FL
J1	W614	EM	J10	W668	EG
J1	W615	DZ	J1012	W171	EH
			J1019	W266	GK
			J1039	W119	FI

CONNECTOR END VIEW DIRECTORY

CONN REF DES	WIRE HARN NO.	CONN CODE	CONN REF DES	WIRE HARN NO.	CONN CODE
J12	W668	FL	J17	W668	FL
J124	W170	EL	J177	W119	FG
J13	W646	FL	J18	W646	FL
J13	W668	FL	J18	W668	FL
J131	W102	CK	J19	W646	FL
J1304	W277	GI	J19	W668	BQ
J14	W108	FZ	J2	W216	AB
J14	W646	FL	J2	W217	AB
J14	W668	EG	J2	W611	GA
J143	W255	FM	J2	W612	FL
J15	W646	FL	J2	W614	GA
J15	W668	FL	J2	W615	BA
J16	W118	DW	J2	W617	GA
J16	W646	FL	J2	W621	EU
J16	W668	FL	J2	W624	DD
J161	W119	GA	J2	W642	FL
J164	W118	FI	J2	W645	GA
J166	W118	FI	J2	W646	FL
J168	W119	FG	J2	W652	FL
J17	W646	FL	J256	W601	AG
J2	W668	ET			
J20	W668	FL			
J21	W119	DM			
J21	W668	FL			
J213	W119	BT			
J214	W118	BT			
J215	W115	GC			
J219	W211	GC			
J22	W118	DM			
J22	W668	FL			
J223	W115	GC			
J225	W211	GC			
J227	W211	GC			
J23	W261	DM			
J23	W668	FL			
J24	W264	DM			
J24	W668	FL			
J25	W668	CT			

CONNECTOR END VIEW DIRECTORY (cont)

CONN REF DES	WIRE HARN NO.	CONN CODE	CONN REF DES	WIRE HARN NO.	CONN CODE	CONN REF DES	WIRE HARN NO.	CONN CODE
J26	W668	FL	J403	W117	FL	J484	W211	FT
J266	W119	AO	J404	W118	FL	J486	W188	FT
J267	W118	AO	J407	W255	FL	J492	W118	AX
J268	W119	AO	J408	W211	GC	J495	W211	FT
J269	W118	AO	J410	W211	FL	J5	W642	FL
J27	W668	FL	J411	W255	FL	J5	W646	FL
J270	W119	AO	J414	W117	AR	J5	W668	FL
J271	W118	AO	J415	W211	GC	J522	W255	EA
J272	W119	AO	J416	W255	FF	J523	W255	FL
J273	W119	AO	J417	W211	GC	J524	W118	FL
J28	W668	BQ	J418	W255	FL	J527	W645	FL
J29	W668	FQ	J420	W266	FT	J528	W644	FL
J3	W621	BJ	J428	W117	FL	J530	W119	FG
J3	W636	BW	J436	W118	FL	J531	W637	CF
J3	W642	FL	J447	W119	FL	J532	W636	CZ
J3	W646	FL	J448	W119	FL	J533	W255	FL
J3	W668	CG	J449	W119	FL	J535	W117	BL
J30	W668	FL	J452	W261	BG	J537	W255	FL
J304	W220	FW	J455	W211	EG	J577	W117	BL
J305	W220	FW	J456	W211	FL	J578	W116	AP
J306	W158	BC	J458	W117	FL	J579	W117	AP
J307	W157	BC	J459	W119	FL	J583	W637	BR
J31	W668	FL	J47	W119	DZ	J586	W117	DS
J32	W668	BR	J474	W116	FF	J587	W117	EQ
J4	W621	BS	J475	W647	FL	J588	W116	DS
J4	W636	BW	J48	W118	DZ	J589	W116	EQ
J4	W642	FL						
J4	W646	FL						
J4	W668	CG						
J402	W211	FL						

CONNECTOR END VIEW DIRECTORY (cont)

CONN REF DES	WIRE HARN NO.	CONN CODE	CONN REF DES	WIRE HARN NO.	CONN CODE	CONN REF DES	WIRE HARN NO.	CONN CODE
J591	W117	FE	J891	W117	AM	P1	W608	BW
J592	W116	FE	J892	W266	AL	P1	W609	FH
J6	W642	FL	J9	W646	FL	P1	W615	BL
J6	W646	FL	J9	W668	FL	P1	W627	DA
J6	W668	FL	J906	W117	FP	P1	W636	GC
J60	W118	CA	J907	W261	FL	P1	W638	AP
J61	W119	CA	J908	W119	FL	P1	W640	FH
J691	W118	GA	J909	W119	FL	P1	W643	FJ
J692	W118	GA	J910	W211	FL	P1	W648	BI
J7	W642	CJ	J911	W211	AM	P1	W653	BM
J7	W646	FL	J912	W119	FL	P1	W654	BM
J7	W668	AF	J914	W119	FL	P1	W668	DA
J755	W110	DD	J915	W261	FL	P100	W119	FK
J756	W170	CN	J916	W119	AX	P101	W119	FK
J757	W119	AO	J919	W211	FL	P1010	W156	FX
J758	W119	AO	J92	W102	CC	P1011	W102	AC
J764	W117	BM	J921	W117	FL	P1012	W154	EI
J772	W118	GA	J922	W117	FL	P1019	W266	CV
J774	W119	GA	J935	W211	BX	P102	W119	AO
J8	W642	FL	J95	W211	BX	P1020	W197	FU
J8	W646	EA	J96	W170	BT	P1021	W195	FU
J885	W266	GH	J97	W170	AE	P103	W119	BD
J886	W266	GH	J975	W205	FT	P1037	W266	EN
J887	W266	GH	J993	W119	BH	P1038	W266	CB
J888	W266	GH	J994	W119	BH	P104	W118	BD
J889	W117	AL	J997	W211	BW	P1041	W117	BP
J890	W266	FF	J998	W102	BW			
			P1	W221	AP			
			P1	W605	DG			

CONNECTOR END VIEW DIRECTORY (cont)

CONN REF DES	WIRE HARN NO.	CONN CODE	CONN REF DES	WIRE HARN NO.	CONN CODE
P1042	W118	AD	P1100	W673	GM
P1044	W201	FU	P1101	W673	GM
P1046	W266	CB	P1102	W673	GM
P105	W155	BC	P1103	W673	GM
P1059	W117	AW	P1104	W673	GM
P106	W156	BC	P1121	W119	GC
P1060	W117	AK	P1142	W266	DA
P1066	W118	AO	P115	W155	BU
P1067	W268	AO	P116	W156	BU
P1072	W102	AG	P119	W119	AH
P1074	W158	CH	P12	W668	DX
P1075	W157	CH	P120	W118	AH
P1077	W211	ES	P121	W119	AI
P1078	W255	FU	P122	W119	FV
P1079	W255	FU	P1225	W266	ED
P1080	W116	CQ	P1226	W213	DB
P1085	W118	BT	P1227	W266	GE
P1086	W268	AO	P1228	W266	GD
P1087	W211	FE	P123	W119	AG
P109	W119	EY	P124	W171	EM
P1092	W261	FB	P125	W118	AH
P1093	W261	CU	P1257	W266	BY
P1094	W119	CG	P1258	W266	BY
P1096	W673	CK	P1259	W266	BY
P11	W668	BY	P126	W118	AH
P110	W119	EY	P1260	W266	BY

CONNECTOR END VIEW DIRECTORY (cont)

CONN REF DES	WIRE HARN NO.	CONN CODE	CONN REF DES	WIRE HARN NO.	CONN CODE
P127	W118	AI	P191	W119	FE
P128	W118	EB	P2	W119	AV
P129	W118	AY	P2	W605	ES
P13	W108	BB	P2	W636	CA
P1301	W213	CW	P20	W118	BW
P1304	W480	GI	P200	W170	CP
P131	W109	CL	P201	W170	CP
P1350	W480	GI	P208	W155	FX
P1370	W119	CG	P21	W165	DN
P1376	W266	GL	P213	W149	BU
P1377	W266	GJ	P214	W164	BU
P14	W668	BT	P217	W102	AP
P141	W157	AO	P22	W166	DN
P142	W158	AO	P220	W211	BY
P143	W266	FN	P224	W115	BY
P170	W119	FE	P226	W211	BY
P172	W119	FE	P228	W211	BY
P173	W119	CO	P23	W165	DN
P174	W119	FK	P230	W119	AL
P175	W119	CK	P231	W118	AL
P176	W118	DA	P232	W118	AL
P178	W119	EL	P233	W119	AL
P179	W119	FE	P234	W119	AL
P18	W118	DT	P235	W118	AL
P19	W118	DT	P236	W118	AL
P190	W119	BY	P237	W119	AL
			P238	W102	CM
			P239	W119	BY
P24	W166	DN	P242	W102	AQ
P243	W119	AO	P251	W268	AO
P253	W261	CM	P253	W261	CM
P260	W268	CM	P260	W268	CM
P261	W119	CM	P261	W119	CM
P263	W118	BW	P263	W118	BW
P264	W268	BW	P264	W268	BW
P265	W119	AU	P265	W119	AU
P275	W118	BY	P275	W118	BY
P277	W117	DJ	P277	W117	DJ
P278	W117	DC	P278	W117	DC
P279	W117	DJ	P279	W117	DJ
P280	W255	DJ	P280	W255	DJ
P281	W117	DT	P281	W117	DT
P283	W108	AO	P283	W108	AO
P284	W102	AO	P284	W102	AO
P285	W119	CC	P285	W119	CC
P286	W119	AO	P286	W119	AO
P287	W119	BB	P287	W119	BB
P289	W119	AJ	P289	W119	AJ
P290	W119	AJ	P290	W119	AJ
P291	W119	BJ	P291	W119	BJ
P292	W119	BY	P292	W119	BY
P3	W119	AV	P3	W119	AV
P3	W605	CH	P3	W605	CH
P300	W266	DA	P300	W266	DA
P302	W266	FK	P302	W266	FK
P303	W266	FK	P303	W266	FK
P31	W118	DA	P310	W266	CV
P312	W201	FU	P312	W201	FU
P313	W209	FU	P313	W209	FU
P314	W173	FU	P314	W173	FU
P315	W266	FK	P315	W266	FK
P317	W266	FK	P317	W266	FK
P318	W266	FK	P318	W266	FK
P319	W266	FK	P319	W266	FK
P320	W266	FK	P320	W266	FK
P321	W195	FU	P321	W195	FU
P322	W197	FU	P322	W197	FU
P323	W118	DK	P323	W118	DK
P329	W173	FU	P329	W173	FU
P33	W165	AO	P33	W165	AO
P330	W209	FU	P330	W209	FU
P332	W266	CO	P332	W266	CO
P333	W266	BN	P333	W266	BN
P334	W266	BN	P334	W266	BN
P335	W266	CV	P335	W266	CV
P336	W172	FU	P336	W172	FU
P337	W210	FU	P337	W210	FU
P34	W166	AO	P34	W166	AO
P341	W212	FU	P341	W212	FU
P342	W266	CV	P342	W266	CV
P343	W190	FU	P343	W190	FU
P344	W190	FU	P344	W190	FU
P345	W212	FU	P345	W212	FU
P348	W210	FU	P348	W210	FU
P349	W172	FU	P349	W172	FU

CONNECTOR END VIEW DIRECTORY (cont)

CONN REF DES	WIRE HARN NO.	CONN CODE	CONN REF DES	WIRE HARN NO.	CONN CODE	CONN REF DES	WIRE HARN NO.	CONN CODE
P35	W165	AO	P39	W165	AO	P42	W166	CM
P350	W266	EB	P391	W187	FU	P420	W102	FU
P351	W118	BY	P392	W188	FU	P421	W119	EJ
P36	W166	AO	P393	W199	FU	P423	W117	FK
P361	W224	CD	P394	W266	DP	P425	W117	FK
P362	W207	FU	P395	W266	GB	P426	W116	FK
P363	W183	FU	P397	W266	CK	P427	W211	BP
P364	W182	FU	P399	W266	BW	P428	W116	FK
P365	W184	FU	P4	W605	CH	P429	W119	FK
P366	W224	CC	P40	W166	AO	P430	W108	FK
P367	W207	FU	P400	W261	DM	P431	W211	FK
P368	W184	FU	P401	W261	DM	P432	W266	FK
P370	W102	EB	P402	W170	FK	P433	W119	FK
P371	W211	DS	P403	W119	FK	P435	W261	FK
P373	W183	FU	P404	W102	FK	P436	W102	FK
P374	W182	FU	P405	W261	FK	P437	W119	CS
P376	W203	FU	P407	W117	FK	P438	W118	FK
P377	W202	FU	P409	W261	FK	P439	W119	FK
P378	W202	FU	P41	W165	CM	P440	W118	FK
P379	W203	FU	P410	W170	FK	P441	W119	FK
P381	W266	BW	P411	W117	FK	P442	W102	FK
P382	W266	CO	P413	W119	FK	P444	W268	FK
P383	W119	AN	P414	W116	AQ	P445	W211	FK
P384	W116	CK	P416	W118	FE	P446	W108	AE
P385	W118	CO	P418	W116	FK	P447	W211	FK
P388	W187	FK	P419	W117	FK	P448	W118	FK

CONNECTOR END VIEW DIRECTORY (cont)

CONN REF DES	WIRE HARN NO.	CONN CODE	CONN REF DES	WIRE HARN NO.	CONN CODE	CONN REF DES	WIRE HARN NO.	CONN CODE
P449	W211	FK	P478	W116	FK	P503	W117	CM
P45	W165	CM	P479	W261	FK	P504	W117	DS
P450	W118	BP	P480	W118	FK	P505	W601	DN
P452	W264	BF	P481	W119	FK	P506	W601	CY
P453	W117	EF	P482	W118	FK	P507	W601	BW
P454	W116	EF	P483	W117	FK	P508	W601	EP
P455	W170	EF	P484	W116	FU	P51	W102	AH
P456	W118	FK	P485	W211	CI	P510	W119	AO
P457	W119	FK	P486	W199	FU	P511	W601	EY
P458	W116	FK	P487	W119	FK	P512	W601	EE
P459	W211	FK	P488	W118	FK	P513	W601	CO
P46	w 166	CM	P49	W261	CU	P516	W601	FS
P461	W145	BS	P491	W211	FK	P518	W116	DU
P463	W119	EZ	P492	W102	AW	P519	W116	DS
P465	W119	FK	P493	W211	FK	P52	W268	AO
P466	W118	FK	P494	W211	FK	P520	W116	EF
P467	W261	FK	P495	W117	FU	P522	W116	DZ
P468	W266	FK	P496	W266	FK	P523	W117	FK
P469	W119	FK	P497	W211	FK	P524	W116	FK
P470	W264	FK	P498	W102	FK	P525	W601	CY
P471	W117	FK	P499	W211	FK	P526	W636	AG
P472	W118	FK	P5	W605	FR	P527	W119	FK
P473	W119	FK	P5	W668	BY	P528	W118	FE
P474	W266	FE	P50	W102	CU	P529	W117	DG
P475	W119	FK	P501	W117	DF	P531	W116	GE
P477	W119	DZ	P502	W117	CO	P532	W116	CY

CONNECTOR END VIEW DIRECTORY (cont)

CONN REF DES	WIRE HARN NO.	CONN CODE	CONN REF DES	WIRE HARN NO.	CONN CODE	CONN REF DES	WIRE HARN NO.	CONN CODE
P533	W119	FK	P587	W157	ER	P646	W116	BY
P537	W117	FK	P588	W158	DR	P647	W117	BY
P538	W117	BY	P589	W158	ER	P648	W116	BY
P539	W255	CU	P59	W171	AG	P649	W117	BY
P54	W211	BY	P591	W266	FE	P65	W261	CM
P540	W255	FB	P592	W266	FE	P650	W116	BY
P541	W211	CP	P596	W255	BT	P653	W117	BY
P542	W211	AU	P599	W636	CA	P654	W116	BY
P543	W266	CO	P6	W668	DX	P655	W117	BY
P544	W255	CM	P60	W162	CB	P656	W116	BY
P55	W118	AG	P61	W161	CB	P657	W117	BY
P550	W116	GG	P62	W119	AO	P658	W116	BY
P551	W116	CC	P620	W116	BY	P659	W117	BY
P552	W116	FU	P621	W116	BX	P66	W261	CU
P553	W116	FU	P623	W116	AT	P660	W116	BY
P555	W116	FD	P63	W102	AO	P663	W211	BY
P56	W118	AG	P631	W255	BV	P664	W211	BY
P57	W118	AD	P632	W117	FA	P668	W255	DR
P570	W211	BT	P639	W117	BY	P67	W261	CU
P571	W102	DD	P64	W119	CC	P670	W255	DR
P572	W109	CC	P640	W116	BY	P671	W116	DR
P578	W167	AO	P641	W117	BY	P672	W116	DR
P579	W159	AO	P642	W116	BY	P673	W117	DR
P58	W171	AG	P643	W117	BY	P674	W116	DR
P581	W116	AW	P644	W116	BY	P679	W116	DR
P586	W157	DR	P645	W117	BY	P68	W261	CU

CONNECTOR END VIEW DIRECTORY (cont)

CONN REF DES	WIRE HARN NO.	CONN CODE	CONN REF DES	WIRE HARN NO.	CONN CODE	CONN REF DES	WIRE HARN NO.	CONN CODE
P680	W116	DR	P709	W178	FU	P761	W255	EA
P681	W255	DR	P710	W178	FU	P762	W119	FK
P682	W211	DR	P711	W177	FU	P763	W145	EJ
P683	W211	DR	P712	W177	FU	P766	W119	CN
P684	W117	DR	P713	W175	FU	P767	W117	EV
P685	W117	DR	P714	W175	FU	P768	W117	BK
P686	W211	DR	P715	W176	FU	P769	W145	BR
P688	W211	DR	P716	W176	FU	P78	W118	AU
P689	W255	FU	P717	W118	BW	P787	W261	FB
P690	W119	BT	P718	W118	FC	P79	W118	AU
P691	W119	BU	P719	W181	DB	P791	W118	BE
P692	W211	AG	P721	W266	ED	P792	W118	CV
P693	W211	GD	P723	W266	CT	P797	W647	AU
P694	W211	GD	P725	W266	BZ	P798	W255	AU
P699	W255	DT	P73	W261	CM	P799	W266	DO
P7	W668	DA	P733	W181	CW	P8	W118	AV
P70	W261	CM	P74	W261	CU	P80	W108	ED
P700	W191	FU	P746	W118	AU	P81	W108	BX
P701	W154	FU	P747	W119	DA	P82	W164	AU
P702	W154	FU	P748	W119	DL	P83	W164	AU
P703	W154	FU	P75	W261	CU	P835	W255	DE
P704	W102	CK	P750	W118	CO	P836	W255	DE
P705	W191	FU	P754	W170	AC	P837	W255	DT
P706	W118	FU	P755	W211	DC	P838	W255	DT
P707	W118	FU	P756	W115	CM	P839	W255	EY
P708	W118	FU	P760	W170	AO	P84	W118	BT

CONNECTOR END VIEW DIRECTORY (cont)

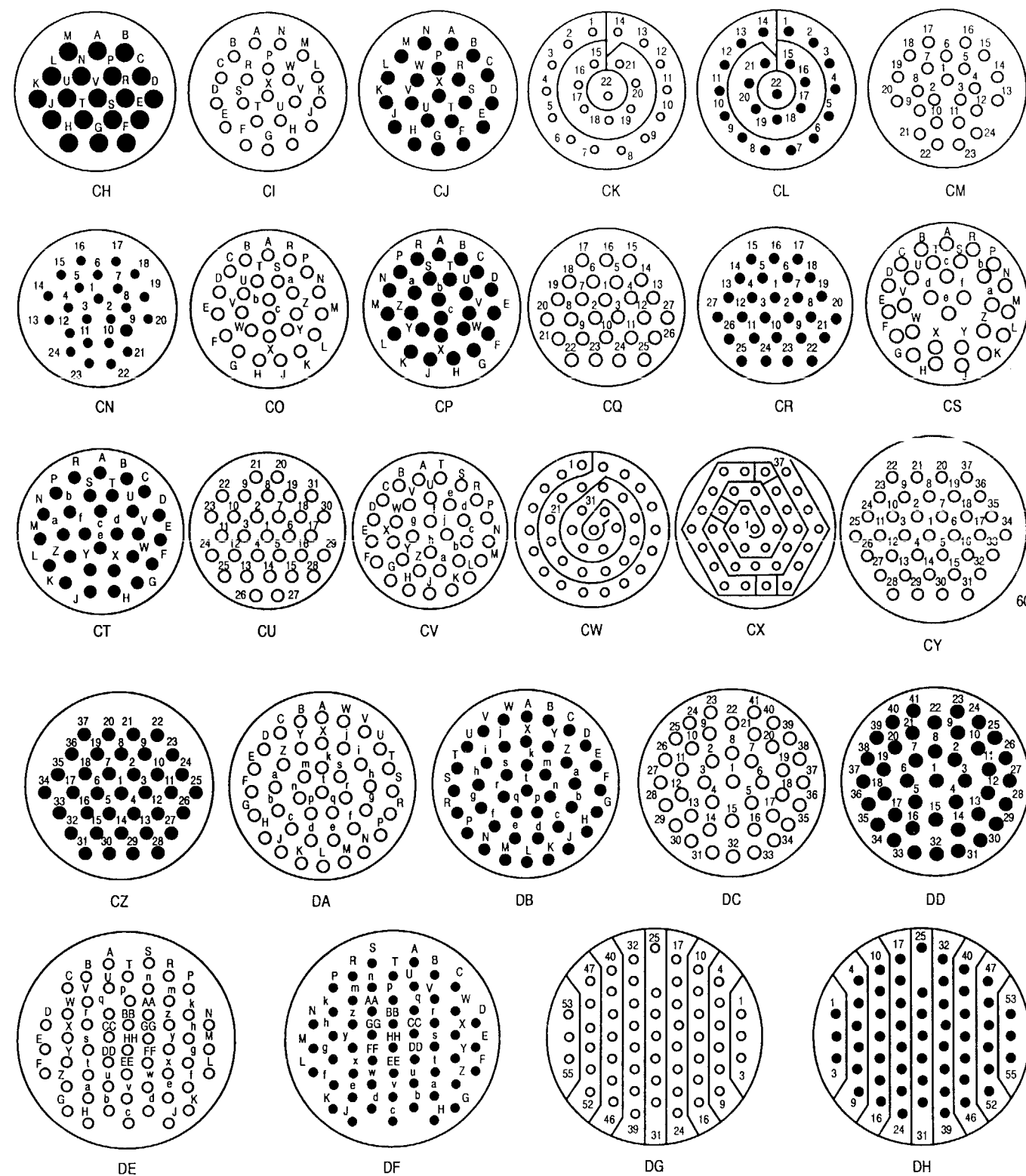
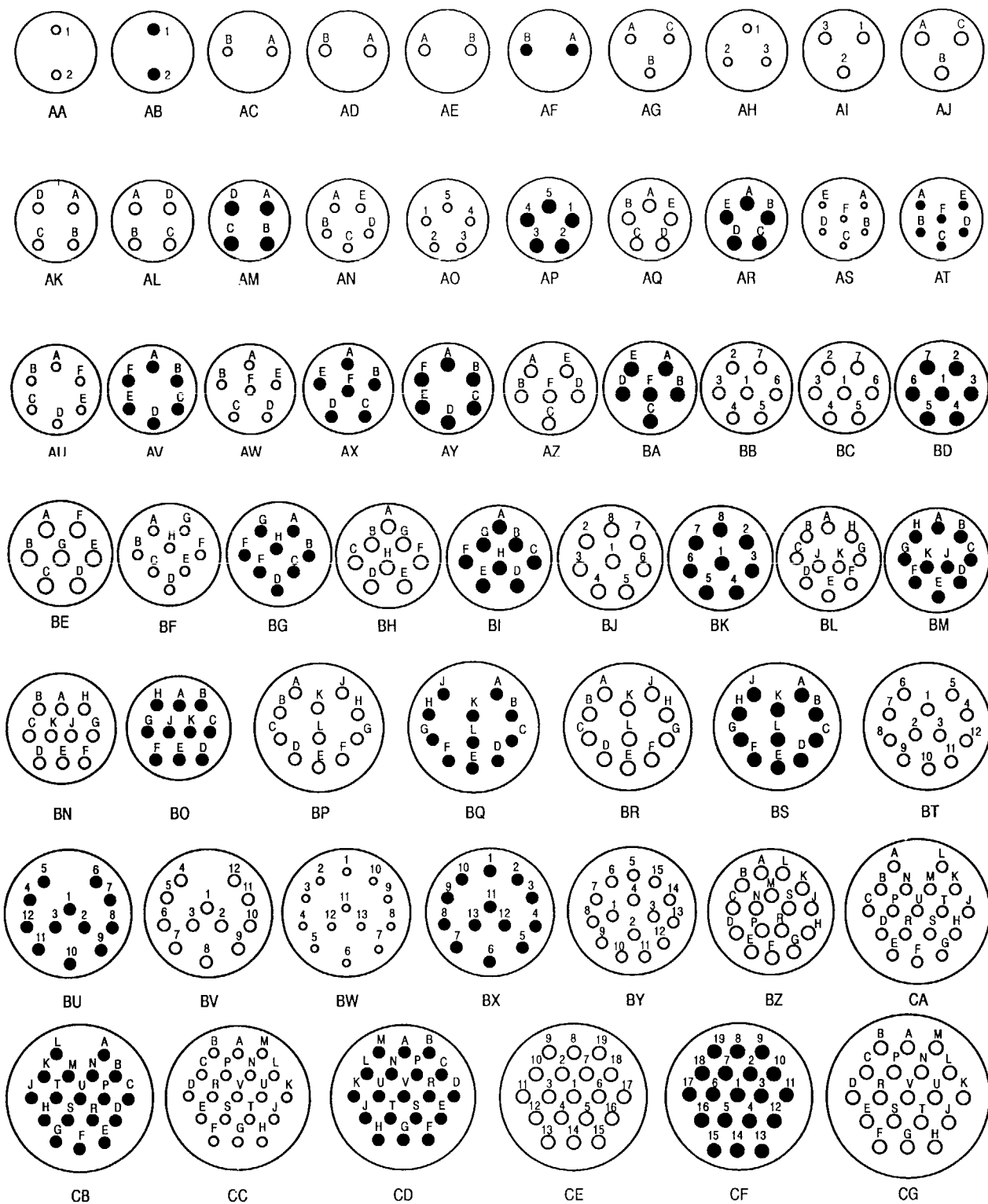
CONN REF DES	WIRE HARN NO.	CONN CODE	WIRE REF DES	HARN NO	CONN CODE	WIRE REF DES	HARN NO	CONN CODE
P840	W255	FU	P865	W116	BX	P903	W255	EK
P841	W255	FU	P866	W266	BX	P904	W116	CW
P842	W255	EY	P873	W234	DS	P905	W116	EX
P843	W255	DS	P874	W266	EC	P906	W116	FO
P844	W255	DS	P876	W226	BX	P907	W266	FK
P845	W255	DT	P877	W226	BW	P908	W118	FK
P848	W255	DT	P878	W234	GI	P909	W266	FK
P849	W255	ES	P879	W266	FU	P91	W118	CC
P85	W118	BT	P880	W266	GH	P910	W102	FK
P851	W255	FU	P881	W266	GH	P911	W189	GF
P852	W255	FU	P882	W266	DO	P912	W118	FK
P853	W255	DT	P883	W266	CL	P913	W262	CX
P855	W255	BH	P884	W266	CL	P914	W118	FK
P857	W255	FU	P889	W266	AM	P915	W118	FK
P861	W255	DT	P890	W266	FE	P916	W118	AW
P862	W255	DT	P891	W266	AM	P917	W262	CX
P863	W255	DT	P892	W116	AM	P919	W102	FK
P864	W255	DB	P894	W226	BW	P921	W116	FK
P867	W255	DC	P895	W227	GI	P922	W116	FK
P868	W255	FU	P896	W234	GI	P924	W262	CO
P87	W108	FY	P897	W266	AJ	P927	W262	CO
P870	W255	DQ	P9	W118	AV	P929	W262	CO
P871	W255	DQ	P90	W119	BT	P930	W262	CO
P872	W119	AO	P900	W116	DG	P931	W116	EW
P88	W149	AU	P901	W262	DH	P932	W116	EW
P89	W149	AU	P902	W262	DH	P935	W189	BW

CONNECTOR END VIEW DIRECTORY (cont)

CONN REF DES	WIRE HARN NO.	CONN CODE	WIRE REF DES	HARN NO	CONN CODE	WIRE REF DES	HARN NO	CONN CODE
P937	W261	CC	P979	W206	FU			
P938	W119	BT	P98	W143	BW			
P939	W102	BT	P981	W119	BN			
P940	W268	AO	P982	W118	BN			
P941	W268	AA	P983	W211	BN			
P942	W118	AA	P984	W102	BN			
P943	W268	AA	P985	W211	DZ			
P944	W211	DD	P986	W211	CO			
P945	W119	AZ	P987	W211	CP			
P946	W119	EC	P989	W211	DT			
P947	W204	FU	P990	W211	CO			
P948	W205	FU	P991	W211	CP			
P949	W119	DV	P995	W189	DY			
P950	W118	CD	XJ332	W266	CP			
P951	W118	FC	XJ333	W266	BO			
P956	W119	AO						
P96	W143	BU						
P971	W266	DA						
P972	W266	DA						
P974	W266	DA						
P975	W206	FU						
P976	W204	FU						
P977	W119	FK						
P978	W119	FK						

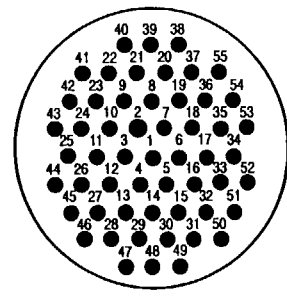
1-7. CONNECTOR END VIEW DIAGRAMS

The connector end view diagrams provide connector pin information and location.

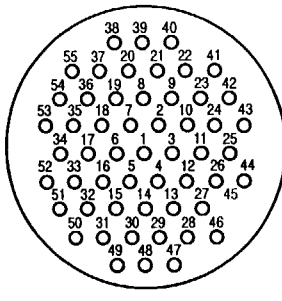


M50-025-1

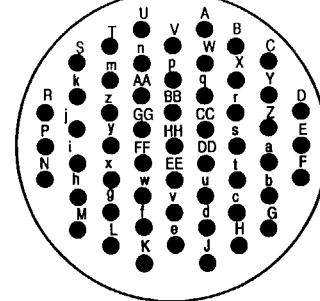
M50-025-2



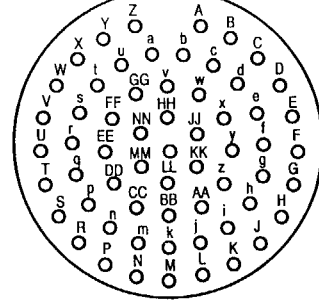
DI



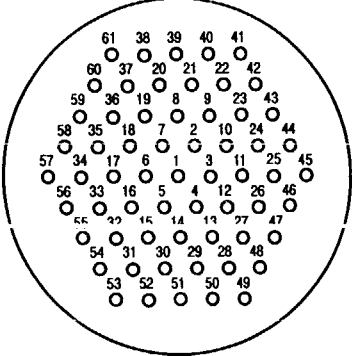
DJ



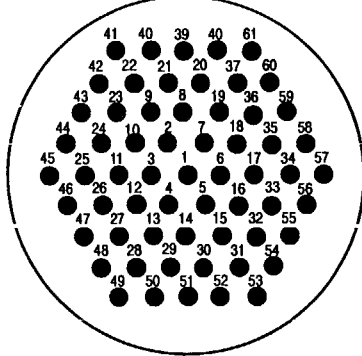
DK



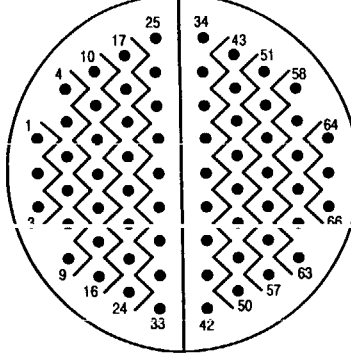
DL



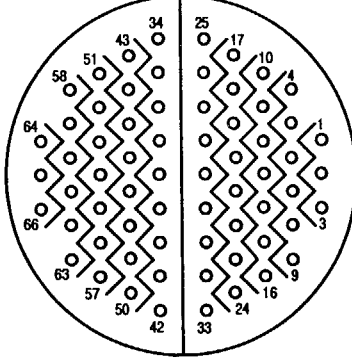
DM



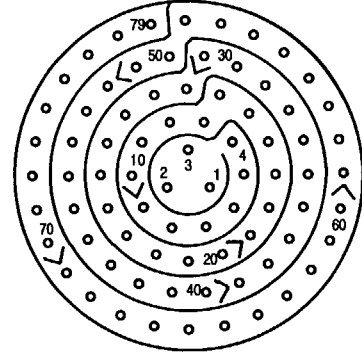
DN



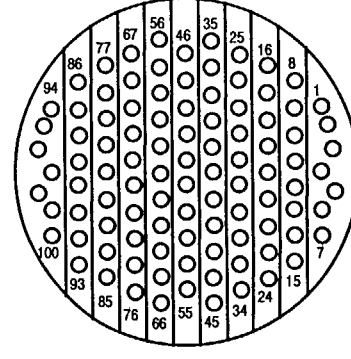
DU



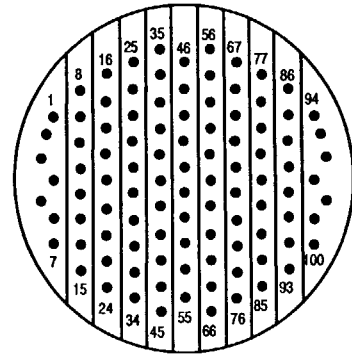
DP



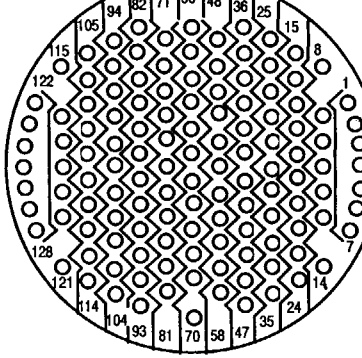
DQ



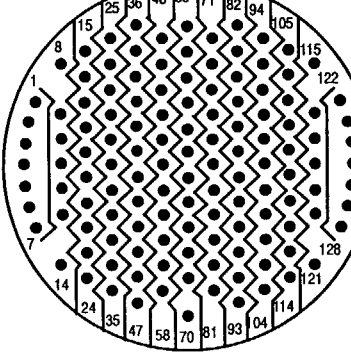
DS



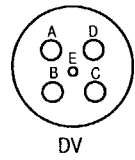
DR



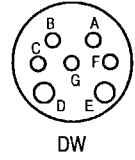
DT



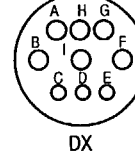
DU



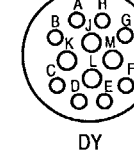
DV



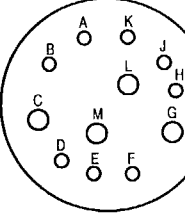
DW



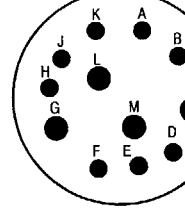
DX



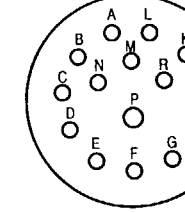
DY



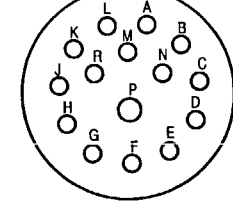
DZ



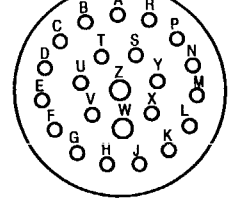
EA



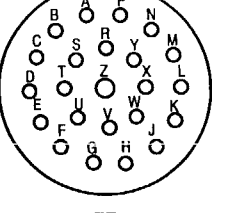
EB



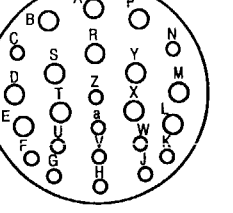
EC



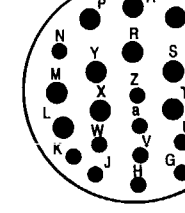
ED



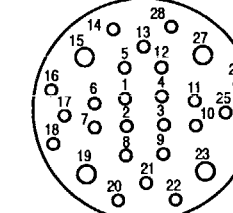
EE



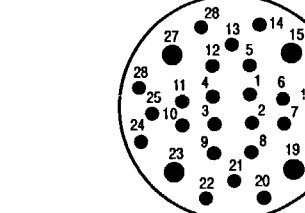
EF



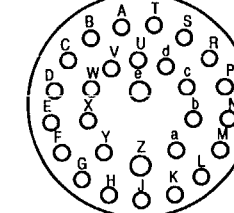
EG



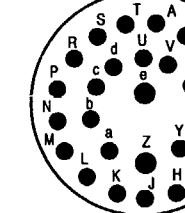
EH



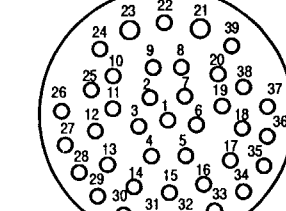
EI



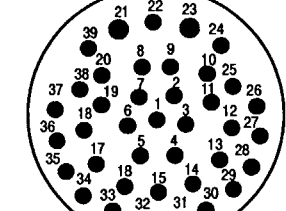
EJ



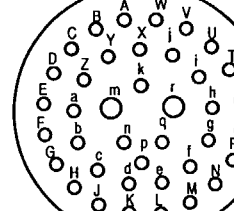
EK



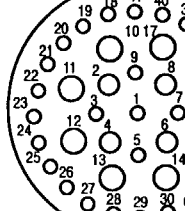
EL



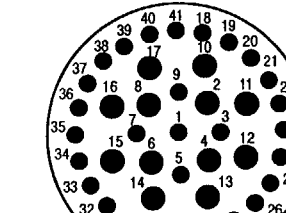
EM



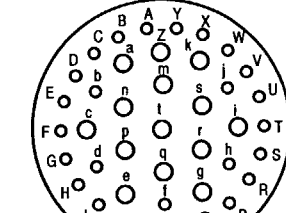
EN



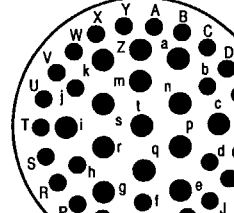
EO



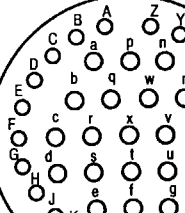
EP



EQ



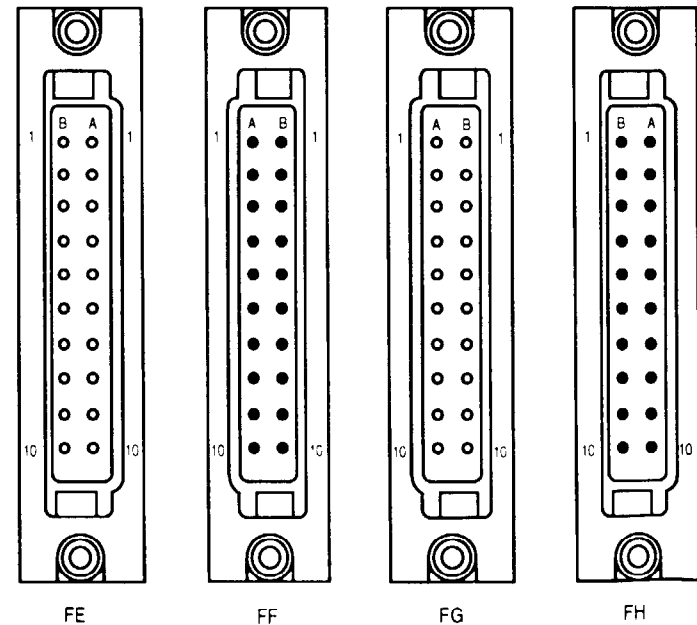
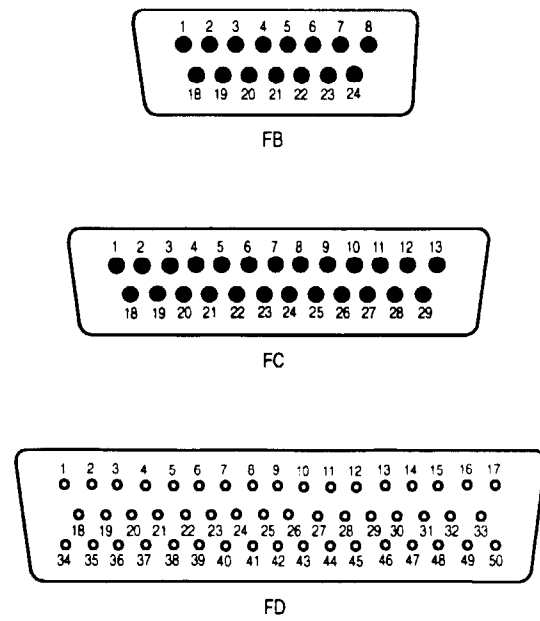
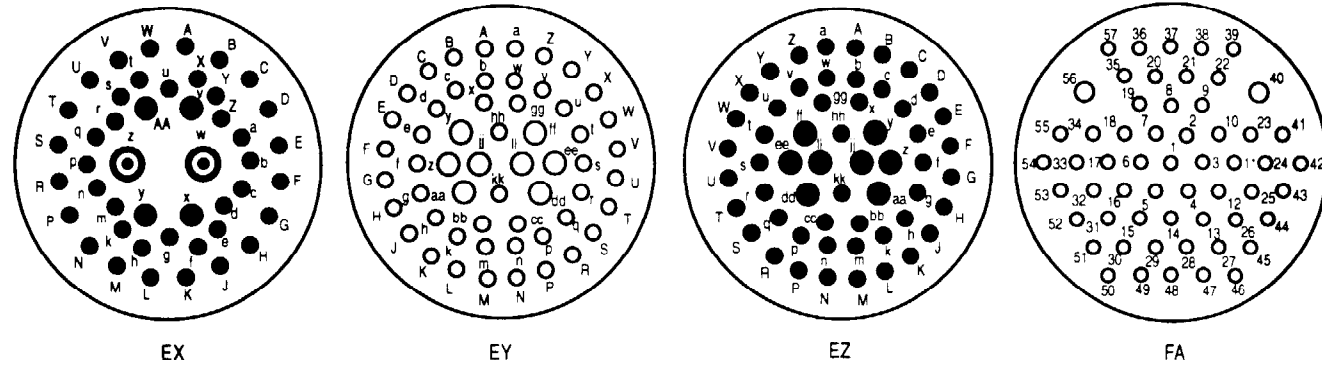
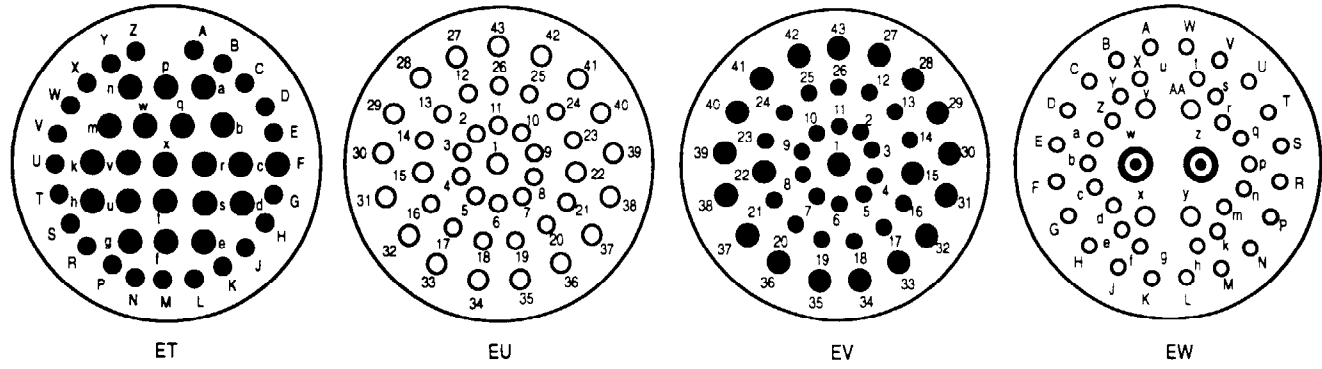
ER



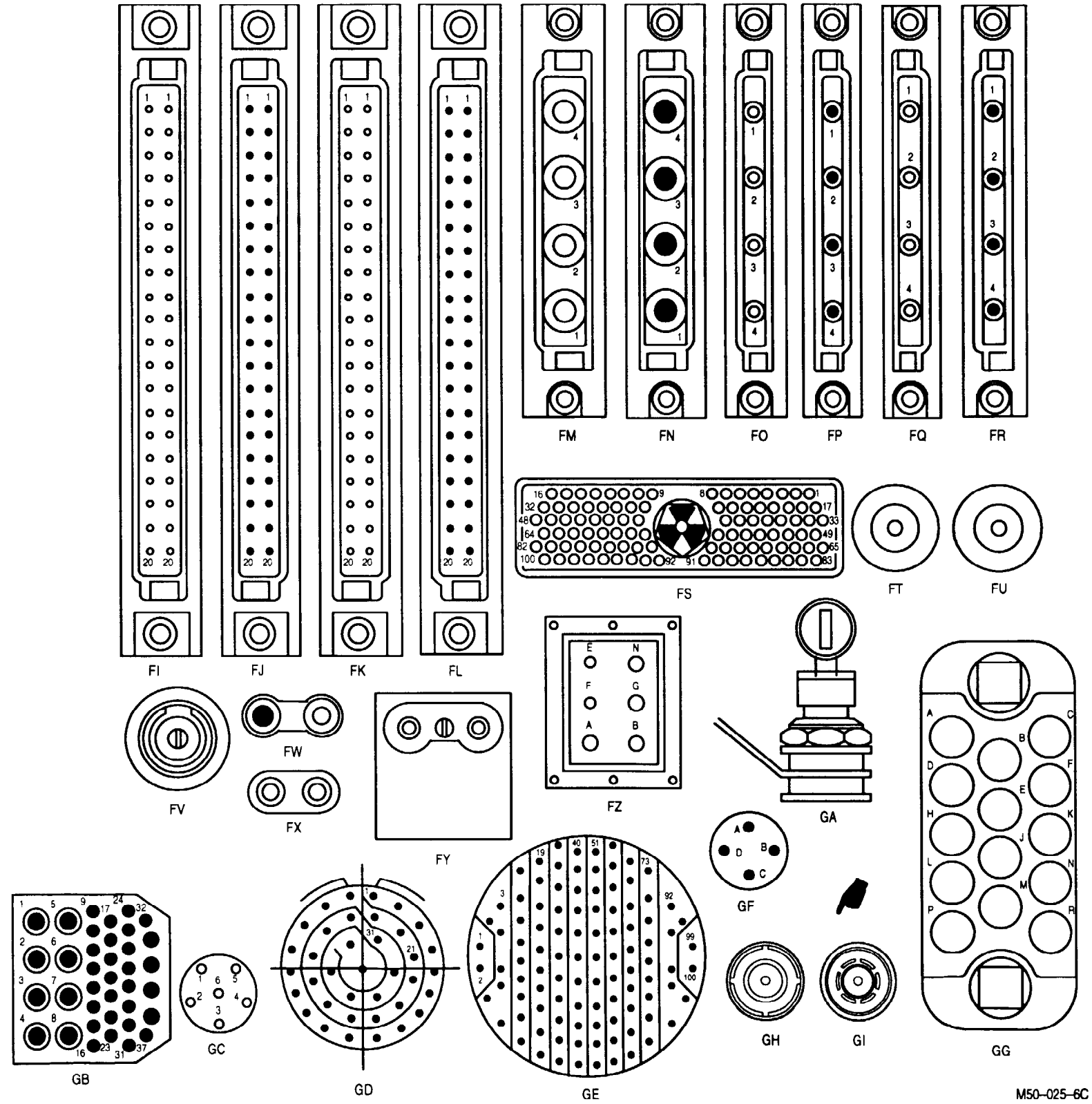
ES

M50-025-3

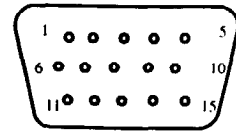
M50-025-4A



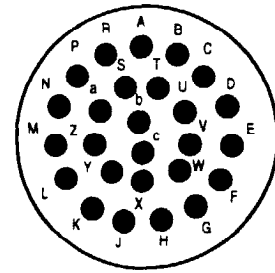
M50-025-5A



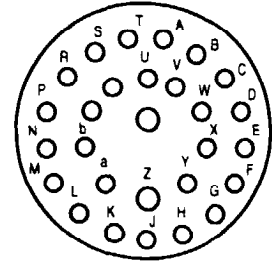
M50-025-6C



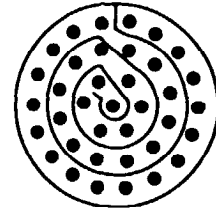
GJ



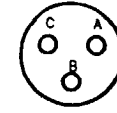
GK



GL



GM



GN

Section IV. EFFECTIVITY CODES

The effectivity codes and helicopter serial number blocks for the AH-64A helicopter are as follows:

<u>Effectivity Code</u>	<u>Helicopter Serial No.</u>	<u>Effectivity Code</u>	<u>Helicopter Serial No.</u>
AAA	82-23355 THRU 82-23365	ABQ	86-8940 AND SUBSEQUENT
AAB	82-23355 THRU 83-23798	ABR	82-23355 THRU 84-24232
AAC	82-23355 THRU 83-23814	ABS	84-24233 AND SUBSEQUENT
AAD	85-25424 AND SUBSEQUENT	ABT	82-23355 THRU 83-23816
AAE	82-23355 THRU 84-24231	ABU	83-23817 THRU 85-25415
AAF	84-24216 AND SUBSEQUENT	ABV	84-24246 THRU 85-25398
AAG	82-23355 THRU 84-24289	ABW	82-23355 THRU 83-23795
AAH	82-23355 THRU 85-25398	ABX	83-23796 AND SUBSEQUENT
AAJ	85-25351 AND SUBSEQUENT	ABY	WITH T700-GE 701 ENGINES
AAK	82-23355 THRU 85-25488	ABZ	WITH T700-GE 701C ENGINES
AAL	88-0215 AND SUBSEQUENT	ACA	82-23355 THRU 88-0199
AAM	85-25465 AND SUBSEQUENT	ACB	88-0200 AND SUBSEQUENT
AAN	83-23787 THRU 85-25415	ACC	82-23355 THRU 83-23834
AAP	82-23355 THRU 88-0214	ACD	85-25416 AND SUBSEQUENT
AAQ	82-23355 THRU 84-24311	ACE	82-23355 THRU 86-9011
AAR	82-23355 THRU 84-24239	ACF	82-23355 THRU 88-0284
AAS	84-24240 AND SUBSEQUENT	ACG	89-0192 AND SUBSEQUENT
AAT	82-23355 THRU 83-23804	ACH	82-23355 THRU 85-25423
AAU	83-23787 AND SUBSEQUENT	ACJ	82-23355 THRU 90-0290, 90-0292 THRU 90-0301 (BEFORE MWO 1-1520-238-50-07)
AAV	83-23805 AND SUBSEQUENT	ACK	82-23355 THRU 90-0290, 90-0292 THRU 90-0301 (AFTER MWO 1-1520-238-50-07)
AAW	83-23799 AND SUBSEQUENT		90-0291, 90-0302 AND SUBSEQUENT
AAX	83-23799 THRU 84-24245	ACL	82-23355 THRU 83-23814
AAZ	83-23799 THRU 85-25470 (BEFORE MWO 1-1520-238-50-37)	ACM	83-23815 AND SUBSEQUENT
AAZ	83-23815 AND SUBSEQUENT	ACN	85-25471 THRU 90-0448 (BEFORE MWO 1-1520-238-50-37)
ABA	84-24200 AND SUBSEQUENT	ACP	85-25471 THRU 90-0448 (AFTER MWO 1-1520-238-50-37)
ABB	84-24246 AND SUBSEQUENT		90-0449 AND SUBSEQUENT
ABC	84-24290 AND SUBSEQUENT	ACQ	82-23355 THRU 90-0448 (BEFORE MWO 1-1520-238-50-36)
ABD	82-23355 THRU 85-25415	ACR	82-23355 THRU 90-0448 (AFTER MWO 1-1520-238-50-36)
ABE	82-23355 THRU 84-24295		90-0449 AND SUBSEQUENT
ABF	84-24296 AND SUBSEQUENT	ACS	82-23355 THRU 90-0437
ABG	85-25399 AND SUBSEQUENT	ACT	90-0438 AND SUBSEQUENT
ABH	82-23355 THRU 84-24245	ACU	82-23355 THRU 90-0436
ABJ	85-25447 AND SUBSEQUENT	ACV	89-0192 THRU 90-0434 WITH T700-GE-701C ENGINES (BEFORE MWO 1-1520-238-50-38)
ABK	82-23355 THRU 85-24446		89-0192 THRU 90-0434 WITH T700-GE-701C ENGINES (AFTER MWO 1-1520-238-50-38)
ABL	82-23355 THRU 89-0215	ACW	90-0435 AND SUBSEQUENT WITH T700-GE-701C ENGINES
ABM	84-24290 THRU 88-0199		90-0479 AND SUBSEQUENT
ABN	89-0192 AND SUBSEQUENT	ACX	
ABP	85-25471 AND SUBSEQUENT		

<u>Effectivity Code</u>	<u>Helicopter Serial No.</u>
ACY	82-23355 THRU 92-0485 (BEFORE MWO 9-1230-476-50-01)
ACZ	82-23355 THRU 92-0485 (AFTER MWO 9-1230-476-50-01) 94-0328 AND SUBSEQUENT
ADA	BEFORE MWO 1-1520-238-50-40
ADB	AFTER MWO 1-1520-238-50-40
ADC	BEFORE MWO 1-1520-238-50-49
ADD	AFTER MWO 1-1520-238-50-49
ADE	87-0481 AND SUBSEQUENT
ADF	BEFORE MWO 1-1520-238-50-52
ADG	AFTER MWO 1-1520-238-50-52
ADH	BEFORE MWO 1-1520-238-50-15
ADI	AFTER MWO 1-1520-238-50-15
ADJ	82-23355 THRU 82-23361
ADK	82-23361 AND SUBSEQUENT
ADN	AN/APR-39(V)1 INSTALLED
ADO	AN/APR-39A(V)1 INSTALLED
ADP	AFTER MWO 1-1520-238-50-50

Section V. WIRING DIAGRAM DIRECTORY

WIRING DIAGRAM DIRECTORY

REFDES	COMPONENT	CABLE	PARA	WIRING DIAGRAM
1A68	MRTU TYPE II PYLON 1	W601	3-1	AERIAL ROCKET CONTROL SYSTEM (ARCS)
1A68	MRTU TYPE II PYLON 1	W601	11-1	EXTERNAL STORES CONTROL
1A68	MRTU TYPE II PYLON 1	W601	14-1	HELLFIRE MISSILE
1A68	MRTU TYPE II PYLON 1	W601	19-1	MULTIPLEX
1J1 (A304)	CONNECTOR	W266	20-2	DOPPLER NAVIGATION AN/ASN- 128
1J1 (A636)	CONNECTOR	W211	2-1	AIR DATA SYSTEM (ADS)
1J1 (A675)	CONNECTOR	W266	20-3	DOPPLER NAVIGATION AN/ASN-137 (ADC)
1J1 (A675)	CONNECTOR	W266	20-3A	DOPPLER NAVIGATION AN/ASN-137 (ADD)
1J1 (A82)	CONNECTOR	W261	13-3	FUEL QUANTITY INDICATION/TRANSFER PRESSURE
1J1 (A82)	CONNECTOR	W261	13-4	REFUELING/DEFUELING ENGINE INSTRUMENTS
1J1 (A82)	CONNECTOR	W261	18-1	EDGE LIGHTS
1J1 (RE305)	CONNECTOR	W266	9-19	AUDIO WARNING
1J1 (RE305)	CONNECTOR	W266	9-27	AUTOMATIC DIRECTION FINDER (ADF) AN/ARN-89
1J1 (RE305)	CONNECTOR	W266	20-1	DOPPLER NAVIGATION AN/ASN-128
1J2 (A304)	CONNECTOR	W181	20-2	AIR DATA SYSTEM (ADS)
1J2 (A636)	CONNECTOR	W102	2-1	DOPPLER NAVIGATION AN/ASN-137 (ADC)
1J2 (A675)	CONNECTOR	W213	20-3	DOPPLER NAVIGATION AN/ASN-137 (ADD)
1J2 (A675)	CONNECTOR	W213	20-3A	CAUTION AND WARNING
1J2 (A82)	CONNECTOR	W261	9-18	FUEL QUANTITY INDICATION/TRANSFER
1J2 (A82)	CONNECTOR	W261	13-3	ENGINE INSTRUMENTS
1J2 (A82)	CONNECTOR	W261	18-1	WIRING DIAGRAM DIRECTORY

WIRING DIAGRAM DIRECTORY

REFDES	COMPONENT	CABLE	PARA	WIRING DIAGRAM
1J2 (RE305)	CONNECTOR	W224	20-1	AUTOMATIC DIRECTION FINDER (ADF) AN/ARN-89
1J3 (A304)	CONNECTOR	W266	20-2	DOPPLER NAVIGATION AN/ASN-128
1J3 (A636)	CONNECTOR	W211	2-1	AIR DATA SYSTEM (ADS)
1J3 (A636)	CONNECTOR	W211	12-1	DASE (BUCS DEACTIVATED)
1J3 (A636)	CONNECTOR	W211	12-2	DASE (BUCS ACTIVATED)
1J3 (A675)	CONNECTOR	W266	18-2	NAVIGATION INSTRUMENTS
1J3 (A675)	CONNECTOR	W266	20-3	DOPPLER NAVIGATION AN/ASN-137 (ADC)
1J3 (A675)	CONNECTOR	W266	20-3A	DOPPLER NAVIGATION AN/ASN-137 (ADD)
1J3 (RE305)	CONNECTOR	W207	20-1	AUTOMATIC DIRECTION FINDER (ADF) AN/ARN-89
1J4 (A675)	CONNECTOR	W266	20-3	DOPPLER NAVIGATION AN/ASN-137 (ADC)
1J4 (A675)	CONNECTOR	W266	20-3A	DOPPLER NAVIGATION AN/ASN-137 (ADD)
1J4 (RE305)	CONNECTOR	W183	20-1	AUTOMATIC DIRECTION FINDER (ADF) AN/ARN-89
1J5 (RE305)	CONNECTOR	W185	20-1	AUTOMATIC DIRECTION FINDER (ADF) AN/ARN-89
1J505	CONNECTOR	W157	3-1	AERIAL ROCKET CONTROL SYSTEM (ARCS)
1J505	CONNECTOR	W157	11-1	EXTERNAL STORES CONTROL
1J505	CONNECTOR	W157	11-2	EXTERNAL STORES JETTISON
1J505	CONNECTOR	W157	14-1	HELLFIRE MISSILE
1J508	CONNECTOR	W157	14-1	HELLFIRE MISSILE
1J508	CONNECTOR	W157	19-1	MULTIPLEX
1J508 SP1	SPLICE	W157	19-1	MULTIPLEX

WIRING DIAGRAM DIRECTORY

<u>REFDES</u>	<u>COMPONENT</u>	<u>CABLE</u>	<u>PARA</u>	<u>WIRING DIAGRAM</u>
1J511 (A333)	CONNECTOR	W601	19-1	MULTIPLEX
1J511 (A333)	CONNECTOR	W601	14-1	HELLFIRE MISSILE
1J6 (RE305)	CONNECTOR	W184	20-1	AUTOMATIC DIRECTION FINDER (ADF) AN/ARN-89
2A68	MRTU TYPE II PYLON 2	W601	3-1	AERIAL ROCKET CONTROL SYSTEM (ARCS)
2A68	MRTU TYPE II PYLON 2	W601	11-1	EXTERNAL STORES CONTROL
2A68	MRTU TYPE II PYLON 2	W601	14-1	HELLFIRE MISSILE
2A68	MRTU TYPE II PYLON 2	W601	19-1	MULTIPLEX
2J1 (A109)	CONNECTOR	W109	2-1	AIR DATA SYSTEM (ADS)
2J1 (A136)	CONNECTOR	W244	201	AUTOMATIC DIRECTION FINDER (ADF) AN/ARN-89
2J1 (E322)	CONNECTOR	W181	20-2	DOPPLER NAVIGATION AN/ASN-128
2J1 (E352)	CONNECTOR	W213	20-3	DOPPLER NAVIGATION AN/ASN-137 (ADC)
2W1 (E352)	CONNECTOR	W213	20-3A	DOPPLER NAVIGATION AN/ASN-137 (ADD)
W2 (A136)	CONNECTOR	W207	20-1	AUTOMATIC DIRECTION FINDER (ADF) AN/ARN-89
2W505	CONNECTOR	W157	3-1	AERIAL ROCKET CONTROL SYSTEM (ARCS)
2W505	CONNECTOR	W157	11-1	EXTERNAL STORES CONTROL
2W505	CONNECTOR	W157	11-2	EXTERNAL STORES JETTISON
2505	CONNECTOR	W157	13-1	AUXILIARY FUEL
2W505	CONNECTOR	W157	14-1	HELLFIRE MISSILE
2W508	CONNECTOR	W157	14-1	HELLFIRE MISSILE
2J508	CONNECTOR	W157	19-1	MULTIPLEX
2W508 SP1	SPLICE	W157	19-1	MULTIPLEX
2508 SP2	SPLICE	W157	19-1	MULTIPLEX

WIRING DIAGRAM DIRECTORY

<u>REFDES</u>	<u>COMPONENT</u>	<u>CABLE</u>	<u>PARA</u>	<u>WIRING DIAGRAM</u>
2W511 (A333)	CONNECTOR	W601	14-1	HELLFIRE MISSILE
JW511 (A333)	CONNECTOR	W601	19-1	MULTIPLEX
3A68	MRTU TYPE II PYLON 3	W601	3-1	AERIAL ROCKET CONTROL SYSTEM (ARCS)
3A68	MRTU TYPE II PYLON 3	W601	11-1	EXTERNAL STORES JETTISON
3A68	MRTU TYPE II PYLON 3	W601	14-1	HELLFIRE MISSILE
3A68	MRTU TYPE II PYLON 3	W601	19-1	MULTIPLEX
3J1 (A174)	CONNECTOR	W266	9-19	EDGE LIGHTS
3J1 (A174)	CONNECTOR	W266	20-2	DOPPLER NAVIGATION AN/ASN-128
3J1 (AR350)	CONNECTOR	W184	20-1	AUTOMATIC DIRECTION FINDER (ADF) AN/ARN-89
3J2 (A174)	CONNECTOR	W266	18-2	NAVIGATION INSTRUMENTS
3J2 (A174)	CONNECTOR	W266	20-2	DOPPLER NAVIGATION AN/ASN-128
3J505	CONNECTOR	W158	3-1	AERIAL ROCKET CONTROL SYSTEM (ARCS)
3J505	CONNECTOR	W158	11-1	EXTERNAL STORES CONTROL
3J505	CONNECTOR	W158	11-2	EXTERNAL STORES JETTISON
3J505	CONNECTOR	W158	13-1	AUXILIARY FUEL
3J505	CONNECTOR	W158	14-1	HELLFIRE MISSILE
3J508	CONNECTOR	W158	14-1	HELLFIRE MISSILE
3J508	CONNECTOR	W158	19-1	MULTIPLEX
3J508 SP1	SPLICE	W158	19-1	MULTIPLEX
3J508 SP2	SPLICE	W158	19-1	MULTIPLEX
3J511 (A333)	CONNECTOR	W601	14-1	HELLFIRE MISSILE

WIRING DIAGRAM DIRECTORY (cont)

REFDES	COMPONENT	CABLE	PARAGRAPH	WIRING DIAGRAM
3J511 (A333)	CONNECTOR	W601	19-1	MULTIPLEX
4A68	MRTU TYPE II PYLON 4	W601	3-1	AERIAL ROCKET CONTROL SYSTEM (ARCS)
4A68	MRTU TYPE II PYLON 4	W601	11-1	EXTERNAL STORES CONTROL
4A68	MRTU TYPE II PYLON 4	W601	14-1	HELLFIRE MISSILE
4A68	MRTU TYPE II PYLON 4	W601	19-1	MULTIPLEX
4J1 (E351)	CONNECTOR	W183	20-1	AUTOMATIC DIRECTION FINDER (ADF) AN/ARN-89
4J2 (E351)	CONNECTOR	W182	20-1	AUTOMATIC DIRECTION FINDER (ADF) AN/ARN-89
4J505	CONNECTOR	W158	3-1	AERIAL ROCKET CONTROL SYSTEM (ARCS)
4J505	CONNECTOR	W158	11-1	EXTERNAL STORES CONTROL
4J505	CONNECTOR	W158	11-2	EXTERNAL STORES JETTISON
4J505	CONNECTOR	W158	14-1	HELLFIRE MISSILE
4J508	CONNECTOR	W158	14-1	HELLFIRE MISSILE
4J508	CONNECTOR	W158	19-1	MULTIPLEX
4J508 SP1	SPLICE	W158	19-1	MULTIPLEX
4J508 SP2	SPLICE	W158	19-1	MULTIPLEX
4J511 (A333)	CONNECTOR	W601	14-1	HELLFIRE MISSILE
4J511 (A333)	CONNECTOR	W601	19-1	MULTIPLEX
A1 (A131)	FUEL LOGIC COMPONENT BOARD	W612	13-2	FUEL CROSSFEED/BOOST
A1 (A131)	FUEL LOGIC COMPONENT BOARD	W612	13-3	FUEL QUANTITY INDICATION/TRANSFER
A1 (A131)	FUEL LOGIC COMPONENT BOARD	W612	13-4	PRESSURE REFUELING/DEFUELING

WIRING DIAGRAM DIRECTORY (cont)

REFDES	COMPONENT	CABLE	PARAGRAPH	WIRING DIAGRAM
A1 (A133)	LOGIC COMPONENT BOARD	W625	9-19	EDGE LIGHTS
A1 (A133)	LOGIC COMPONENT BOARD	W625	9-20	CPG UTILITY AND SECONDARY LIGHTS
A1 (A133)	LOGIC COMPONENT BOARD	W625	9-25	NAVIGATION LIGHTS
A1 (A137)	DIODE BOARD	W611	12-1	DASE (BUCS DEACTIVATED)
A1 (A137)	DIODE BOARD	W611	12-2	DASE (BUCS ACTIVATED)
A1 (A137)	DIODE BOARD	W611	12-4	STABILATOR
A1 (A138)	DIODE BOARD	W616	25-6	FIRE DETECTION AND EXTINGUISHING
A1 (A181)	LOGIC COMPONENT BOARD	W619	9-19	EDGE LIGHTS
A1 (A181)	LOGIC COMPONENT BOARD	W619	9-20	CPG UTILITY AND SECONDARY LIGHTS
A1 (A402)	GENERATOR CONTROL 1	W668	9-1	AC ELECTRICAL POWER GENERATION
A1 (A58)	FUEL QUANTITY TRANSMITTER	W215	13-3	FUEL QUANTITY INDICATION/TRANSFER
A1 (A59)	FUEL QUANTITY TRANSMITTER	W214	13-3	FUEL QUANTITY INDICATION/TRANSFER
A10	APU FLAME DETECTOR (UPPER)		25-6	FIRE DETECTION AND EXTINGUISHING
A102	PILOT FIRE CONTROL PANEL		3-1	AERIAL ROCKET CONTROL SYSTEM (ARCS)
A102	PILOT FIRE CONTROL PANEL		4-1	AREA WEAPON SYSTEM (AWS)
A102	PILOT FIRE CONTROL PANEL		9-19	EDGE LIGHTS
A102	PILOT FIRE CONTROL PANEL		11-1	EXTERNAL STORES CONTROL
A102	PILOT FIRE CONTROL PANEL		14-1	HELLFIRE MISSILE

WIRING DIAGRAM DIRECTORY (cont)

REFDES	COMPONENT	CABLE PARAGRAPH	WIRING DIAGRAM
A102	PILOT FIRE CONTROL PANEL	17-1	IHADSS
A102	PILOT FIRE CONTROL PANEL	19-1	MULTIPLEX
A102	PILOT FIRE CONTROL PANEL	22-1	PNVS
A102	PILOT FIRE CONTROL PANEL	26-1	SYMBOL GENERATOR
A102	PILOT FIRE CONTROL PANEL	26-2	VIDEO DISPLAY UNIT (VDU) AND VIDEO RECORDER
A106	PILOT CAUTION AND WARNING PANEL	9-18	CAUTION AND WARNING
A106	PILOT CAUTION AND WARNING PANEL	9-19	EDGE LIGHTS
A109	ADSS OMNI DIRECTIONAL AIRSPEED SENSOR (OAS)	2-1	AIR DATA SYSTEM (ADS)
A11	APU FLAME DETECTOR (LOWER)	25-6	FIRE DETECTION AND EXTINGUISHING
A110 (ABD)	REMOTE TRANSMIT SELECTOR INDICATOR PANEL	W627 6-1	INTERCOMMUNICATION
A110 (ABD)	REMOTE TRANSMIT SELECTOR INDICATOR PANEL	W627 6-3	UHF-AM RADIO SET
A110 (ABD)	REMOTE TRANSMIT SELECTOR INDICATOR PANEL	W627 6-4	VHF AM-FM RADIO SET AN/ARC-186 (ADH)
A110 (ABD)	REMOTE TRANSMIT SELECTOR INDICATOR PANEL	W627 6-5	VHF AM-FM RADIO SET AN/ARC-186 AND AN/ARC-201A (ADI)
A110 (ABD)	REMOTE TRANSMIT SELECTOR INDICATOR PANEL	W627 9-19	EDGE LIGHTS
A110 (ACD)	REMOTE INDICATOR ASSEMBLY	6-3	UHF-AM RADIO SET
A110 (ACD)	REMOTE INDICATOR ASSEMBLY	6-4	VHF AM-FM RADIO SET
A110 (ACD)	REMOTE INDICATOR ASSEMBLY	9-19	EDGE LIGHTS

WIRING DIAGRAM DIRECTORY (cont)

REFDES	COMPONENT	CABLE PARAGRAPH	WIRING DIAGRAM
A111	PILOT COMMUNICATION SYSTEM CONTROL (CSC) PANEL	6-1	INTERCOMMUNICATION
A111	PILOT COMMUNICATION SYSTEM CONTROL (CSC) PANEL	6-3	UHF-AM RADIO SET
A111	PILOT COMMUNICATION SYSTEM CONTROL (CSC) PANEL	6-4	VHF AM-FM RADIO SET AN/ARC-186 (ADH)
A111	PILOT COMMUNICATION SYSTEM CONTROL (CSC) PANEL	6-4	VHF AM-FM RADIO SET AN/ARC-186 AND AN/ARC-201A (ADD)
A111	PILOT COMMUNICATION SYSTEM CONTROL (CSC) PANEL	9-19	EDGE LIGHTS
A111	PILOT COMMUNICATION SYSTEM CONTROL (CSC) PANEL	9-27	AUDIO WARNING
A113	SECURE VOICE CONTROL PANEL (TSEC/KY-58)	6-2	TSEC/KY-58 COMMUNICATIONS SECURITY EQUIPMENT
A113	SECURE VOICE CONTROL PANEL (TSEC/KY-58)	9-19	EDGE LIGHTS
A114	PILOT DIM/TEST PANEL	9-19	EDGE LIGHTS
A114	PILOT DIM/TEST PANEL	18-1	ENGINE INSTRUMENTS
A12	ENG 1 FLAME DETECTOR (UPPER)	25-6	FIRE DETECTION AND EXTINGUISHING
A120	RADAR WARNING CONTROL PANEL	9-19	EDGE LIGHTS
A120	RADAR WARNING CONTROL PANEL	9-27	AUDIO WARNING
A120	RADAR WARNING CONTROL PANEL	21-3	RADAR WARNING SET AN/APR-39(V)1 (ADN) and AN/APR-39A(V)1 (ADO)
A120	RADAR WARNING CONTROL PANEL	21-4	LASER DETECTING SET AN/AVR-2A(V)1 (ADP)
A125	ELEC PWR PANEL	W610 9-1	AC ELECTRICAL POWER GENERATION
A125	ELEC PWR PANEL	W610 9-3	EXTERNAL POWER AND GROUND SERVICE UTILITY CONNECTOR

WIRING DIAGRAM DIRECTORY (cont)

REFDES	COMPONENT	CABLE PARAGRAPH		WIRING DIAGRAM
A125	ELEC PWR PANEL	W610	9-4	BATTERY AND BATTERY CHARGER
A125	ELEC PWR PANEL	W610	9-19	EDGE LIGHTS
A126	NAVIGATION UNIT INERTIAL - SATELLITE SIGNALS		20-8	EGI (ADD)
A127	DATA TRANSFER UNIT		20-7	DATA TRANSFER UNIT (ADD)
A128	BBC IN CONTROL DETECTOR		20-3A	DOPPLER NAVIGATION UNIT AN/ASN-137 (ADD)
A128	BBC IN CONTROL DETECTOR		20-7	DATA TRANSFER UNIT (ADD)
A128	BBC IN CONTROL DETECTOR		20-8	EGI (ADD)
A129	GPS POWER SPLITTER		20-8	EGI (ADD)
A13	ENG 1 FLAME DETECTOR (LOWER)		25-6	FIRE DETECTION AND EXTINGUISHING
A130	UHF-AM RECEIVER/ TRANSMITTER		6-3	UHF-AM RADIO SET
A130	UHF-AM RECEIVER/ TRANSMITTER		9-19	EDGE LIGHTS
A131	PILOT FUEL PANEL	W612	9-18	CAUTION AND WARNING
A131	PILOT FUEL PANEL	W612	9-19	EDGE LIGHTS
A131	PILOT FUEL PANEL	W612	13-1	AUXILIARY FUEL
A131	PILOT FUEL PANEL	W612	13-2	FUEL CROSSFEED/BOOST
A131	PILOT FUEL PANEL	W612	13-3	FUEL QUANTITY INDICATION/TRANSFER
A131	PILOT FUEL PANEL	W612	13-4	PRESSURE REFUELING/DEFUELING
A131	PILOT FUEL PANEL	W612	25-6	FIRE DETECTION AND EXTINGUISHING
A133	PILOT EXT LT/INTR LT PANEL	W625	9-19	EDGE LIGHTS
A133	PILOT EXT LT/INTR LT PANEL	W625	9-21	PILOT UTILITY AND SECONDARY LIGHTS
A133	PILOT EXT LT/INTR LT PANEL	W625	9-22	ANTI-COLLISION LIGHTS
A133	PILOT EXT LT/INTR LT PANEL	W625	9-23	FORMATION LIGHTS
A133	PILOT EXT LT/INTR LT PANEL	W625	9-25	NAVIGATION LIGHTS

WIRING DIAGRAM DIRECTORY (cont)

REFDES	COMPONENT	CABLE	PARAGRAPH	WIRING DIAGRAM
A133	PILOT EXT LT/INTR LT PANEL	W625	20-5	RADAR ALTIMETER (RADALT) SET
A133	PILOT EXT LT/INTR LT PANEL	W625	21-2	RADAR JAMMER AN/ALQ-136
A134	IFF TRANSPONDER		9-19	EDGE LIGHTS
A134	IFF TRANSPONDER		9-27	AUDIO WARNING
A134	IFF TRANSPONDER		16-1	IFF
A134	IFF TRANSPONDER		21-3	RADAR WARNING SET AN/APR-39(V)1 (ADN) and AN/APR-39A(V)1 (ADO)
A134	IFF TRANSPONDER		21-4	LASER DETECTING SET AN/AVR-2A(V)1 (ADP)
A135	PILOT ANTI ICE PANEL	W614	9-19	EDGE LIGHTS
A135	PILOT ANTI ICE PANEL	W614	25-1	CANOPY DEFOG AND ANTI-ICE
A135	PILOT ANTI ICE PANEL	W614	25-2	ENGINE ANTI-ICE
A135	PILOT ANTI ICE PANEL	W614	25-3	ROTOR BLADES DE-ICE
A135	PILOT ANTI ICE PANEL	W614	25-4	PITOT ANTI-ICE
A135	PILOT ANTI ICE PANEL	W614	25-5	WINDSHIELD WIPERS
A135	PILOT ANTI ICE PANEL	W614	25-7	TAD/PNVS ANTI-ICE CONTROLS
A136	ADF RCVR CONTROL PANEL		20-1	AUTOMATIC DIRECTION FINDER (ADF) AN/ARN-89
A137	ASE PANEL	W611	9-19	EDGE LIGHTS
A137	ASE PANEL	W611	12-1	DASE (BUCS DEACTIVATED)
A137	ASE PANEL	W611	12-2	DASE (BUCS ACTIVATED)
A137	ASE PANEL	W611	12-4	STABILATOR
A138	PILOT BTL DISCHARGE/APU PANEL	W616	5-1	AUXILIARY POWER UNIT (APU)
A138	PILOT BTL DISCHARGE/APU PANEL	W616	9-18	CAUTION AND WARNING
A138	PILOT BTL DISCHARGE/APU PANEL	W616	9-19	EDGE LIGHTS
A138	PILOT BTL DISCHARGE/APU PANEL	W616	25-6	FIRE DETECTION AND EXTINGUISHING
A139	ECS PANEL	W609	9-18	CAUTION AND WARNING

WIRING DIAGRAM DIRECTORY (cont)

REFDES	COMPONENT	CABLE	PARAGRAPH	WIRING DIAGRAM
A139	ECS PANEL	W609	9-19	EDGE LIGHTS
A139	ECS PANEL	W609	10-1	ENVIRONMENTAL CONTROL SYSTEM (ECS)
A140	CARRIER DRIVE		4-1	AREA WEAPON SYSTEM (AWS)
A141	MAGAZINE		4-1	AREA WEAPON SYSTEM (AWS)
A141	ROTOR BALANCE SIGNAL PROCESSOR		9-18	CAUTION AND WARNING
A146	NITROGEN INERT UNIT		13-5	NITROGEN INERTING
A147	CPG FILTER BLOWER		9-10	CIRCUIT PROTECTION (DC ESSENTIAL BUS 1-CPG STATION)
A147	CPG FILTER BLOWER		10-1	ENVIRONMENTAL CONTROL SYSTEM (ECS)
A148	PILOT FILTER BLOWER		9-9	CIRCUIT PROTECTION (DC ESSENTIAL BUS 1 - PILOT STATION)
A148	PILOT FILTER BLOWER		10-1	ENVIRONMENTAL CONTROL
A15	ENG 2 FLAME DETECTOR (LOWER)		25-6	FIRE DETECTION AND EXTINGUISHING
A151	CPG INSTRUMENT PANEL		18-1	ENGINE INSTRUMENTS
A156	CPG FIRE CONTROL PANEL		3-1	AERIAL ROCKET CONTROL SYSTEM (ARCS)
A156	CPG FIRE CONTROL PANEL		4-1	AREA WEAPON SYSTEM (AWS)
A156	CPG FIRE CONTROL PANEL		9-19	EDGE LIGHTS
A156	CPG FIRE CONTROL PANEL		11-1	EXTERNAL STORES CONTROL
A156	CPG FIRE CONTROL PANEL		14-1	HELLFIRE MISSILE

WIRING DIAGRAM DIRECTORY (cont)

REFDES	COMPONENT	CABLE	PARAGRAPH	WIRING DIAGRAM
A156	CPG FIRE CONTROL PANEL		17-1	IHADSS
A156	CPG FIRE CONTROL PANEL		19-1	MULTIPLEX
A156	CPG FIRE CONTROL PANEL		24-1	TADS
A156	CPG FIRE CONTROL PANEL		26-1	SYMBOL GENERATOR
A156	CPG FIRE CONTROL PANEL		26-2	VIDEO DISPLAY UNIT (VDU) AND VIDEO RECORDER
A157	CPG CAUTION AND WARNING PANEL		9-18	CAUTION AND WARNING
A157	CPG CAUTION AND WARNING PANEL		9-19	EDGE LIGHTS
A16	ENG 2 FLAME DETECTOR (UPPER)		25-6	FIRE DETECTION AND EXTINGUISHING
A166	TURBINE SPEED CONTROL		23-1	POWER PLANTS
A170	CPG COMMUNICATION SYSTEM CONTROL (CSC) PANEL		6-1	INTERCOMMUNICATION
A170	CPG COMMUNICATION SYSTEM CONTROL (CSC) PANEL		6-3	UHF-AM RADIO SET
A170	CPG COMMUNICATION SYSTEM CONTROL (CSC) PANEL		6-4	VHF AM-FM RADIO SET AN/ARC-186 (ADH)
A170	CPG COMMUNICATION SYSTEM CONTROL (CSC) PANEL		6-5	VHF AM-FM RADIO SET AN/ARC-186 AND AN/ARC-201A (ADI)
A170	CPG COMMUNICATION SYSTEM CONTROL (CSC) PANEL		9-19	EDGE LIGHTS
A170	CPG COMMUNICATION SYSTEM CONTROL (CSC) PANEL		9-27	AUDIO WARNING
A173	VIDEO RECORDER CONTROL PANEL		9-19	EDGE LIGHTS

WIRING DIAGRAM DIRECTORY (cont)

REFDES	COMPONENT	CABLE	PARAGRAPH	WIRING DIAGRAM
A173	VIDEO RECORDER CONTROL PANEL		22-1	PNVS
A173	VIDEO RECORDER CONTROL PANEL		24-1	TADS
A173	VIDEO RECORDER CONTROL PANEL		26-2	VIDEO DISPLAY UNIT (VDU) AND VIDEO RECORDER
A174	DOPPLER NAV PANEL COMPUTER DISPLAY UNIT (CDU)		9-19	EDGE LIGHTS
A174	DOPPLER NAV PANEL COMPUTER DISPLAY UNIT (CDU)		18-2	NAVIGATION INSTRUMENTS
A174	DOPPLER NAV PANEL COMPUTER DISPLAY UNIT (CDU)		20-2	DOPPLER NAVIGATION AN/ASN-128
A175	VIDEO RECORDER		26-1	SYMBOL GENERATOR
A175	VIDEO RECORDER		26-2	VIDEO DISPLAY UNIT (VDU) AND VIDEO RECORDER
A176	OAT SENSOR		25-3	ROTOR BLADES DE-ICE
A179	CPG FUEL PANEL	W618	9-19	EDGE LIGHTS
A179	CPG FUEL PANEL	W618	13-2	FUEL CROSSFEED/BOOST
A179	CPG FUEL PANEL	W618	13-3	FUEL QUANTITY INDICATION/TRANSFER
A181	CPG INTR LT PANEL	W619	9-19	EDGE LIGHTS
A181	CPG INTR LT PANEL	W619	9-20	CPG UTILITY AND SECONDARY LIGHTS
A2 (A402)	GENERATOR CONTROL 2	W668	9-1	AC ELECTRICAL POWER GENERATION
A2 (A58)	FUEL QUANTITY TRANSMITTER	W215	13-3	FUEL QUANTITY INDICATION/TRANSFER
A20	RADAR/IR JAMMER CONTROL PANEL		9-18	CAUTION AND WARNING
A20	RADAR/IR JAMMER CONTROL PANEL		9-19	EDGE LIGHTS
A20	RADAR/IR JAMMER CONTROL PANEL		21-1	IR JAMMER AN/ALQ-144
A20	RADAR/IR JAMMER CONTROL PANEL		21-2	RADAR JAMMER AN/ALQ-136

WIRING DIAGRAM DIRECTORY (cont)

REFDES	COMPONENT	CABLE	PARAGRAPH	WIRING DIAGRAM
A21	TRANSMITTER		21-1	IR JAMMER AN/ALQ-144
A2156	LASER DETECTING SET FWD RIGHT SENSOR	W672	21-4	LASER DETECTING SET AN/AVR-2A(V)1 (ADP)
A2157	LASER DETECTING SET FWD LEFT SENSOR	W671	21-4	LASER DETECTING SET AN/AVR-2A(V)1 (ADP)
A22	RADAR JAMMER RECEIVER/ TRANSMITTER		21-2	RADAR JAMMER AN/ALQ-136
A2273	LASER DETECTING SET INTERFACE UNIT COMPARATOR		21-4	LASER DETECTING SET AN/AVT-2A(V)1 (ADP)
A2378	LASER DETECTING SET AFT RIGHT SENSOR	W672	21-4	LASER DETECTING SET AN/AVR-2A(V)1 (ADP)
A2379	LASER DETECTING SET AFT LEFT SENSOR	W671	21-4	LASER DETECTING SET AN/AVR-2A(V)1 (ADP)
A24	PILOT POWER QUADRANT PANEL		9-19	EDGE LIGHTS
A24	PILOT POWER QUADRANT PANEL		15-1	HYDRAULIC
A24	PILOT POWER QUADRANT PANEL		23-1	POWER PLANTS
A25	ROTOR SPEED SENSOR MAIN ROTOR SHAFT	W110	5-1	AUXILIARY POWER UNIT (APU)
A25	ROTOR SPEED SENSOR MAIN ROTOR SHAFT	W110	8-1	DRIVE SYSTEM
A29	CPG POWER QUADRANT PANEL		9-4	BATTERY AND BATTERY CHARGER
A29	CPG POWER QUADRANT PANEL		9-19	EDGE LIGHTS
A29	CPG POWER QUADRANT PANEL		15-1	HYDRAULIC
A29	CPG POWER QUADRANT PANEL		23-1	POWER PLANTS
A3	GROUND UTILITY RECEPTACLE CIRCUIT BREAKER BOX	W118	9-3	EXTERNAL POWER AND GROUND SERVICE UTILITY CONNECTOR
A3	GROUND UTILITY RECEPTACLE CIRCUIT BREAKER BOX	W118	13-5	NITROGEN INERTING

WIRING DIAGRAM DIRECTORY (cont)

REFDES	COMPONENT	CABLE	PARAGRAPH	WIRING DIAGRAM
A3	ENGINE 1 AIR TURBINE STARTER	W165	23-1	POWER PLANTS
A300	TSEC/KY-58 COMMUNICATIONS SECURITY UNIT		6-2	TSEC/KY-58 COMMUNICATIONS SECURITY EQUIPMENT
A300	TSEC/KY-58 COMMUNICATIONS SECURITY UNIT		6-4	VHF AM-FM RADIO SET AN/ARC-186 (ADH)
A300	TSEC/KY-58 COMMUNICATIONS SECURITY UNIT		6-5	VHF AM-FM RADIO SET AN/ARC-186 AND AN/ARC-201A
A301	KIT 1A/TSEC COMPUTER		9-18	CAUTION AND WARNING
A301	KIT 1A/TSEC COMPUTER		16-1	IFF
A304	SIGNAL DATA CONVERTER (SDC)		20-2	DOPPLER NAVIGATION AN/ASN-128
A308	FUEL SIGNAL CONDITIONER		13-3	FUEL QUANTITY INDICATION/TRANSFER
A310	HARS ELECTRONIC UNIT		13-3	FUEL QUANTITY INDICATION/TRANSFER
A311	ROTOR BLADES DE-ICE CONTROLLER		9-18	CAUTION AND WARNING
A311	ROTOR BLADES DE-ICE CONTROLLER		25-3	ROTOR BLADES DE-ICE
A32	ICE DETECTOR SIGNAL PROCESSOR		9-18	CAUTION AND WARNING
A32	ICE DETECTOR SIGNAL PROCESSOR		25-3	ROTOR BLADES DE-ICE
A320	VIDEO DISPLAY UNIT (VDU)		9-19	EDGE LIGHTS
A320	VIDEO DISPLAY UNIT (VDU)		12-1	DASE (BUCS DEACTIVATED)
A320	VIDEO DISPLAY UNIT (VDU)		12-2	DASE (BUCS ACTIVATED)
A320	VIDEO DISPLAY UNIT (VDU)		19-1	MULTIPLEX

WIRING DIAGRAM DIRECTORY (cont)

REFDES	COMPONENT	CABLE	PARAGRAPH	WIRING DIAGRAM
A320	VIDEO DISPLAY UNIT (VDU)		26-1	SYMBOL GENERATOR
A320	VIDEO DISPLAY UNIT (VDU)		26-2	VIDEO DISPLAY UNIT (VDU) AND VIDEO RECORDER
A322	CPG FIRE EXTINGUISHER PANEL (LH GLARESHIELD)	W643	9-19	EDGE LIGHTS
A322	CPG FIRE EXTINGUISHER PANEL (LH GLARESHIELD)	W643	9-20	CPG UTILITY AND SECONDARY LIGHTS
A322	CPG FIRE EXTINGUISHER PANEL (LH GLARESHIELD)	W643	25-6	FIRE DETECTION AND EXTINGUISHING
A323	AFT AVIONICS MATRIX MODULE	W642	2-1	AIR DATA SYSTEM (ADS)
A323	AFT AVIONICS MATRIX MODULE	W642	12-1	DASE (BUCS DEACTIVATED)
A323	AFT AVIONICS MATRIX MODULE	W642	12-2	DASE (BUCS ACTIVATED)
A323	AFT AVIONICS MATRIX MODULE	W642	12-4	STABILATOR
A323	AFT AVIONICS MATRIX MODULE	W642	18-2	NAVIGATION INSTRUMENTS
A323	AFT AVIONICS MATRIX MODULE	W642	20-2	DOPPLER NAVIGATION AN/ASN-128
A323	AFT AVIONICS MATRIX MODULE	W642	20-3	DOPPLER NAVIGATION AN/ASN-137 (ADC)
A323	AFT AVIONICS MATRIX MODULE	W642	20-4	HARS
A324	CPG RH GLARESHIELD	W640	9-20	CPG UTILITY AND SECONDARY LIGHTS
A325	PILOT GLARESHIELD		9-21	PILOT UTILITY AND SECONDARY LIGHTS

WIRING DIAGRAM DIRECTORY (cont)

REFDES	COMPONENT	CABLE	PARAGRAPH	WIRING DIAGRAM
A326	PILOT MATRIX MODULE	W646	3-1	AERIAL ROCKET CONTROL SYSTEM (ARCS)
A326	PILOT MATRIX MODULE	W646	6-2	TSECKY-58 COMMUNICATIONS SECURITY EQUIPMENT
A326	PILOT MATRIX MODULE	W646	6-4	VHF AM-FM RADIO SET AN/ARC-186 (ADH)
A326	PILOT MATRIX MODULE	W646	6-5	VHF AM-FM RADIO SET AN/ARC-186 AND AN/ARC-201A (ADI)
A326	PILOT MATRIX MODULE	W646	8-1	DRIVE SYSTEM
A326	PILOT MATRIX MODULE	W646	9-18	CAUTION AND WARNING
A326	PILOT MATRIX MODULE	W646	9-19	EDGE LIGHTS
A326	PILOT MATRIX MODULE	W646	9-24	LANDING/SEARCH LIGHTS
A326	PILOT MATRIX MODULE	W646	9-27	AUDIO WARNING
A326	PILOT MATRIX MODULE	W646	10-1	ENVIRONMENTAL CONTROL SYSTEM (ECS)
A326	PILOT MATRIX MODULE	W646	12-1	DASE (BUCS DEACTIVATED)
A326	PILOT MATRIX MODULE	W646	12-2	DASE (BUCS ACTIVATED)
A326	PILOT MATRIX MODULE	W646	12-1	STABILATOR
A326	PILOT MATRIX MODULE	W646	13-3	FUEL QUANTITY INDICATION/TRANSFER
A326	PILOT MATRIX MODULE	W646	18-1	ENGINE INSTRUMENTS
A326	PILOT MATRIX MODULE	W646	20-3	DOPPLER NAVIGATION AN/ASN-137 (ADC)
A326	PILOT MATRIX MODULE	W646	20-5	RADAR ALTIMETER (RADALT) SET
A326	PILOT MATRIX MODULE	W646	23-1	POWER PLANTS
A326	PILOT MATRIX MODULE	W646	25-5	WINDSHIELD WIPERS
A327	PILOT FIRE EXTINGUISHER PANEL	W647	25-6	FIRE DETECTION AND EXTINGUISHING
A329	STABILATOR RELAY PANEL	W651	9-18	CAUTION AND WARNING

WIRING DIAGRAM DIRECTORY (cont)

REFDES	COMPONENT	CABLE	PARAGRAPH	WIRING DIAGRAM
A329	STABILATOR RELAY PANEL	W651	12-4	STABILATOR
A330	ENGINE START MODE RELAY PANEL	W652	13-2	FUEL CROSSFEED/BOOST
A330	ENGINE START MODE RELAY PANEL	W652	23-1	POWER PLANTS
A331	TALL WHEEL PANEL	W645	15-1	HYDRAULIC
A331-J1	TAIL WHEEL PANEL	W645	9-19	EDGE LIGHTS
A331-J2	EMERGENCY HYDRAULIC SWITCH	W645	9-19	EDGE LIGHTS
A331-M1	ICING SEVERITY METER	W645	9-19	EDGE LIGHTS
A331-M1	ICING SEVERITY METER	W645	25-3	ROTOR BLADES DE-ICE
A332	HARS PANEL	W644	9-19	EDGE LIGHTS
A332	HARS PANEL	W644	20-4	HARS
A333	PYLON 2 LEFT INBOARD	W601	11-2	EXTERNAL STORES JETTISON
A333	PYLON 1 LEFT OUTBOARD	W601	11-2	EXTERNAL STORES JETTISON
A333	PYLON 3 RIGHT INBOARD	W601	11-2	EXTERNAL STORES JETTISON
A333	PYLON 4 RIGHT OUTBOARD	W601	11-2	EXTERNAL STORES JETTISON
A333	PYLON 2 LEFT INBOARD	W601	13-1	AUXILIARY FUEL
A333	PYLON 3 RIGHT INBOARD	W601	13-1	AUXILIARY FUEL
A333	PYLON 1 LEFT OUTBOARD	W601	14-1	HELLFIRE MISSILE
A333	PYLON 2 LEFT INBOARD	W601	14-1	HELLFIRE MISSILE
A333	PYLON 3 RIGHT INBOARD	W601	14-1	HELLFIRE MISSILE
A333	PYLON 2 LEFT INBOARD	W601	14-1	HELLFIRE MISSILE

WIRING DIAGRAM DIRECTORY (cont)

REFDES	COMPONENT	CABLE	PARAGRAPH	WIRING DIAGRAM
A333	PYLON 1 LEFT OUTBOARD	W601	19-1	MULTIPLEX
A333	PYLON 2 LEFT INBOARD	W601	19-1	MULTIPLEX
A333	PYLON 3 RIGHT INBOARD	W601	19-1	MULTIPLEX
A333	PYLON 4 RIGHT OUTBOARD	W601	19-1	MULTIPLEX
A334	CPG CLTV DECOUPLER SWITCH	W638	12-1	DASE (BUCS DEACTIVATED)
A334	CPG CLTV DECOUPLER SWITCH	W638	12-2	DASE (BUCS ACTIVATED)
A334	CPG CYCLIC LATL (ROLL) DECOUPLER SWITCH	W638	12-1	DASE (BUCS DEACTIVATED)
A334	CPG CYCLIC LATL (ROLL) DECOUPLER SWITCH	W638	12-2	DASE (BUCS ACTIVATED)
A334	CPG CYCLIC LONG (PITCH) DECOUPLER SWITCH	W638	12-1	DASE (BUCS DEACTIVATED)
A334	CPG CYCLIC LONG (PITCH) DECOUPLER SWITCH	W638	12-2	DASE (BUCS ACTIVATED)
A334	CPG CYCLIC YAW (DIR) DECOUPLER SWITCH	W638	12-1	DASE (BUCS DEACTIVATED)
A334	CPG CYCLIC YAW (DIR) DECOUPLER SWITCH	W638	12-2	DASE (BUCS ACTIVATED)
A334	PILOT CLTV DECOUPLER SWITCH	W638	12-1	DASE (BUCS DEACTIVATED)
A334	PILOT CLTV DECOUPLER SWITCH	W638	12-2	DASE (BUCS ACTIVATED)
A334	PILOT CYCLIC LATL (ROLL) DECOUPLER SWITCH	W638	12-1	DASE (BUCS DEACTIVATED)
A334	PILOT CYCLIC LATL (ROLL) DECOUPLER SWITCH	W638	12-2	DASE (BUCS ACTIVATED)

WIRING DIAGRAM DIRECTORY (cont)

REFDES	COMPONENT	CABLE	PARAGRAPH	WIRING DIAGRAM
A334	PILOT CYCLIC LONG (PITCH) DECOUPLER SWITCH	W638	12-1	DASE (BUCS DEACTIVATED)
A334	PILOT CYCLIC LONG (PITCH) DECOUPLER SWITCH	W638	12-2	DASE (BUCS ACTIVATED)
A334	PILOT CYCLIC YAW (DIR) DECOUPLER SWITCH	W638	12-1	DASE (BUCS DEACTIVATED)
A334	PILOT CYCLIC YAW (DIR) DECOUPLER SWITCH	W638	12-2	DASE (BUCS ACTIVATED)
A335	NITROGEN INERT MONITOR INDICATOR	W655	13-5	NITROGEN INERTING
A336 (A333)	RESISTOR ASSEMBLY	W650	11-2	EXTERNAL STORES JETTISON
A337	ENGINE ANTI-ICE RELAY PANEL	W656	25-2	ENGINE ANTI-ICE
A338	ELAPSED TIME INDICATOR		5-1	AUXILIARY POWER UNIT (APU)
A342	TRANSFORMER FILTER ASSEMBLY		12-2	DASE (BUCS ACTIVATED)
A342	TRANSFORMER FILTER ASSEMBLY		12-4	STABILATOR
A35	GUN CONTROL BOX		4-1	AREA WEAPON SYSTEM (AWS)
A36	GUN TURRET CONTROL BOX		4-1	AREA WEAPON SYSTEM (AWS)
A36	GUN TURRET CONTROL BOX		22-1	PNVS
A37	EXTERNAL STORES ELEVATION CONTROLLER		3-1	AERIAL ROCKET CONTROL SYSTEM (ARCS)
A37	EXTERNAL STORES ELEVATION CONTROLLER		11-1	EXTERNAL STORES CONTROL

WIRING DIAGRAM DIRECTORY (cont)

REFDES	COMPONENT	CABLE	PARAGRAPH	WIRING DIAGRAM
A4	ENGINE 2 AIR TURBINE STARTER		23-1	POWER PLANTS
A4 (A402)	DC BUS TIE CONTACTOR	W668	9-2	DC ELECTRICAL POWER GENERATION
A4 (A402)	DC BUS TIE CONTACTOR	W668	14-1	HELLFIRE MISSILE
A400	CPG CYCLIC STICK		3-1	AERIAL ROCKET CONTROL SYSTEM (ARCS)
A400	CPG CYCLIC STICK		4-1	AREA WEAPON SYSTEM (AWS)
A400	CPG CYCLIC STICK		6-1	INTERCOMMUNICATION
A400	CPG CYCLIC STICK		7-1	DISPENSER
A400	CPG CYCLIC STICK		11-1	EXTERNAL STORES CONTROL
A400	CPG CYCLIC STICK		12-1	DASE (BUCS DEACTIVATED)
A400	CPG CYCLIC STICK		12-2	DASE (BUCS ACTIVATED)
A400	CPG CYCLIC STICK		12-3	FORCE TRIM
A400	CPG CYCLIC STICK		14-1	HELLFIRE MISSILE
A401	PILOT CYCLIC STICK		3-1	AERIAL ROCKET CONTROL SYSTEM (ARCS)
A401	PILOT CYCLIC STICK		4-1	AREA WEAPON SYSTEM (AWS)
A401	PILOT CYCLIC STICK		6-1	INTERCOMMUNICATION
A401	PILOT CYCLIC STICK		6-3	UHF-AM RADIO SET
A401	PILOT CYCLIC STICK		6-4	VHF AM-FM RADIO SET AN/ARC-186 (ADH)
A401	PILOT CYCLIC STICK		6-5	VHF AM-FM RADIO SET AN/ARG-186 AND AN/ARG-201A (ADI)
A401	PILOT CYCLIC STICK		7-1	CHAFF DISPENSER
A401	PILOT CYCLIC STICK		11-1	EXTERNAL STORES CONTROL
A401	PILOT CYCLIC STICK		12-1	DASE (BUCS DEACTIVATED)

WIRING DIAGRAM DIRECTORY (cont)

REFDES	COMPONENT	CABLE	PARAGRAPH	WIRING DIAGRAM
A401	PILOT CYCLIC STICK		12-2	DASE (BUCS ACTIVATED)
A401	PILOT CYCLIC STICK		12-3	FORCE TRIM
A401	PILOT CYCLIC STICK		14-1	HELLFIRE MISSILE
A401	PILOT CYCLIC STICK		19-1	MULTIPLEX
A402	ELECTRICAL POWER DISTRIBUTION BOX	W668	2-1	AIR DATA SYSTEM (ADS)
A402	ELECTRICAL POWER DISTRIBUTION BOX	W668	3-1	AERIAL ROCKET CONTROL SYSTEM (ARCS)
A402	ELECTRICAL POWER DISTRIBUTION BOX	W668	4-1	AREA WEAPON SYSTEM (AWS)
A402	ELECTRICAL POWER DISTRIBUTION BOX	W668	5-1	AUXILIARY POWER UNIT (APU)
A402	ELECTRICAL POWER DISTRIBUTION BOX	W668	6-1	INTERCOMMUNICATION
A402	ELECTRICAL POWER DISTRIBUTION BOX	W668	7-1	CHAFF DISPENSER
A402	ELECTRICAL POWER DISTRIBUTION BOX	W668	8-1	DRIVE SYSTEM
A402	ELECTRICAL POWER DISTRIBUTION BOX	W668	9-1	AC ELECTRICAL POWER GENERATION
A402	ELECTRICAL POWER DISTRIBUTION BOX	W668	9-2	DC ELECTRICAL POWER GENERATION
A402	ELECTRICAL POWER DISTRIBUTION BOX	W668	9-3	EXTERNAL POWER AND GROUND SERVICE UTILITY CONNECTOR
A402	ELECTRICAL POWER DISTRIBUTION BOX	W668	9-4	BATTERY AND BATTERY CHARGER
A402	ELECTRICAL POWER DISTRIBUTION BOX	W668	9-5	CIRCUIT PROTECTION (AC ESSENTIAL BUS 1-PILOT STATION)
A402	ELECTRICAL POWER DISTRIBUTION BOX	W668	9-6	CIRCUIT PROTECTION (AC ESSENTIAL BUS 1-CPG STATION)

WIRING DIAGRAM DIRECTORY (cont)

REFDES	COMPONENT	CABLE	PARAGRAPH	WIRING DIAGRAM
A402	ELECTRICAL POWER DISTRIBUTION BOX	W668	9-7	CIRCUIT PROTECTION (AC ESSENTIAL BUS 2 - PILOT STATION)
A402	ELECTRICAL POWER DISTRIBUTION BOX	W668	9-8	CIRCUIT PROTECTION (AC ESSENTIAL BUS 2 - CPG STATION)
A402	ELECTRICAL POWER DISTRIBUTION BOX	W668	9-9	CIRCUIT PROTECTION (DC ESSENTIAL BUS 1- PILOT STATION)
A402	ELECTRICAL POWER DISTRIBUTION BOX	W668	9-10	CIRCUIT PROTECTION (DC ESSENTIAL BUS 1- CPG STATION)
A402	ELECTRICAL POWER DISTRIBUTION BOX	W668	9-11	CIRCUIT PROTECTION (DC ESSENTIAL BUS 2- PILOT STATION)
A402	ELECTRICAL POWER DISTRIBUTION BOX	W668	9-12	CIRCUIT PROTECTION (DC ESSENTIAL BUS 3- PILOT STATION)
A402	ELECTRICAL POWER DISTRIBUTION BOX	W668	9-13	CIRCUIT PROTECTION (DC ESSENTIAL BUS 3- CPG STATION)
A402	ELECTRICAL POWER DISTRIBUTION BOX	W668	9-14	CIRCUIT PROTECTION (DC EMERGENCY BUS - PILOT STATION)
A402	ELECTRICAL POWER DISTRIBUTION BOX	W668	9-15	CIRCUIT PROTECTION (DC EMERGENCY BUS - CPG STATION)
A402	ELECTRICAL POWER DISTRIBUTION BOX	W668	9-16	CIRCUIT PROTECTION (DC GROUND CIRCUIT BREAKERS - PILOT STATION)
A402	ELECTRICAL POWER DISTRIBUTION BOX	W668	9-17	CIRCUIT PROTECTION (DC GROUND CIRCUIT BREAKERS - CPG STATION)
A402	ELECTRICAL POWER DISTRIBUTION BOX	W668	9-18	CAUTION AND WARNING

WIRING DIAGRAM DIRECTORY (cont)

REFDES	COMPONENT	CABLE	PARAGRAPH	WIRING DIAGRAM
A402	ELECTRICAL POWER DISTRIBUTION BOX	W668	9-19	EDGE LIGHTS
A402	ELECTRICAL POWER DISTRIBUTION BOX	W668	9-22	ANTI-COLLISION LIGHTS
A402	ELECTRICAL POWER DISTRIBUTION BOX	W668	9-23	FORMATION LIGHTS
A402	ELECTRICAL POWER DISTRIBUTION BOX	W668	9-24	LANDING/SEARCH LIGHTS
A402	ELECTRICAL POWER DISTRIBUTION BOX	W668	9-25	NAVIGATION LIGHTS
A402	ELECTRICAL POWER DISTRIBUTION BOX	W668	9-28	SQUAT SWITCH
A402	ELECTRICAL POWER DISTRIBUTION BOX	W668	10-1	ENVIRONMENTAL CONTROL SYSTEM (ECS)
A402	ELECTRICAL POWER DISTRIBUTION BOX	W668	11-1	EXTERNAL STORES CONTROL
A402	ELECTRICAL POWER DISTRIBUTION BOX	W668	11-2	EXTERNAL STORES JETTISON
A402	ELECTRICAL POWER DISTRIBUTION BOX	W668	12-1	DASE (BUCS DEACTIVATED)
A402	ELECTRICAL POWER DISTRIBUTION BOX	W668	12-2	DASE (BUCS ACTIVATED)
A402	ELECTRICAL POWER DISTRIBUTION BOX	W668	12-3	FORCE TRIM
A402	ELECTRICAL POWER DISTRIBUTION BOX	W668	12-4	STABILATOR
A402	ELECTRICAL POWER DISTRIBUTION BOX	W668	13-1	AUXILIARY FUEL
A402	ELECTRICAL POWER DISTRIBUTION BOX	W668	13-2	FUEL CROSSFEED/BOOST
A402	ELECTRICAL POWER DISTRIBUTION BOX	W668	13-3	FUEL QUANTITY INDICATION/TRANSFER
A402	ELECTRICAL POWER DISTRIBUTION BOX	W668	13-4	PRESSURE REFUELING/DEFUELING

WIRING DIAGRAM DIRECTORY (cont)

<u>REFDES</u>	<u>COMPONENT</u>	<u>CABLE</u>	<u>PARAGRAPH</u>	<u>WIRING DIAGRAM</u>
A402	ELECTRICAL POWER DISTRIBUTION BOX	W668	14-1	HELLFIRE MISSILE
A402	ELECTRICAL POWER DISTRIBUTION BOX	W668	15-1	HYDRAULIC
A402	ELECTRICAL POWER DISTRIBUTION BOX	W668	15-2	PRESSURIZED AIR SYSTEM (PAS)
A402	ELECTRICAL POWER DISTRIBUTION BOX	W668	16-1	IFF
A402	ELECTRICAL POWER DISIRIBUTION BOX	W668	17-1	IHADSS
A402	ELECTRICAL POWER DISTRIBUTION BOX	W668	18-2	NAVIGATION INSTRUMENTS
A402	ELECTRICAL POWER DISTRIBUTION BOX	W668	19-1	MULTIPLEX
A402	ELECTRICAL POWER DISTRIBUTION BOX	W668	20-1	AUTOMATIC DIRECTION FINDER (ADF) AN/ARN-89
A402	ELECTRICAL POWER DISTRIBUTION BOX	W668	20-2	DOPPLER NAVIGATION AN/ASN-128
A402	ELECTRICAL POWER DISTRIBUTION BOX	W668	20-3	DOPPLER NAVIGATION AN/ASN-137 (ADC)
A402	ELECTRICAL POWER DISTRIBUTION BOX	W668	20-3A	DOPPLER NAVIGATION AN/ASN-137 (ADD)
A402	ELECTRICAL POWER DISTRIBUTION BOX	W668	20-4	HARS
A402	ELECTRICAL POWER DISTRIBUTION BOX	W668	20-6	AUTOMATIC DIRECTION FINDER (ADF) AN/ARN-149
A402	ELECTRICAL POWER DISTRIBUTION BOX	W668	21-1	IR JAMMER AN/ALQ-144
A402	ELECTRICAL POWER DISTRIBUTION BOX	W668	21-2	RADAR JAMMER AN/ALQ-136
A402	ELECTRICAL POWER DISTRIBUTION BOX	W668	22-1	PNVS
A402	ELECTRICAL POWER DISTRIBUTION BOX	W668	23-1	POWER PLANTS
A402	ELECTRICAL POWER DISTRIBUTION BOX	W668	25-1	CANOPY DEFOG AND ANTI-ICE

WIRING DIAGRAM DIRECTORY (cont)

<u>REFDES</u>	<u>COMPONENT</u>	<u>CABLE</u>	<u>PARAGRAPH</u>	<u>WIRING DIAGRAM</u>
A402	ELECTRICAL POWER DISTRIBUTION BOX	W668	25-2	ENGINE ANTI-ICE
A402	ELECTRICAL POWER DISTRIBUTION BOX	W668	25-3	ROTOR BLADES DE-ICE
A402	ELECTRICAL POWER DISTRIBUTION BOX	W668	25-4	PITOT ANTI-ICE
A402	ELECTRICAL POWER DISTRIBUTION BOX	W668	25-5	WINDSHIELD WIPERS
A402	ELECTRICAL POWER DISTRIBUTION BOX	W668	25-6	FIRE DETECTION AND EXTINGUISHING
A402	ELECTRICAL POWER DISTRIBUTION BOX	W668	25-7	TAD/PNVS ANTI-ICE CONTROLS
A402	ELECTRICAL POWER DISTRIBUTION BOX	W668	26-1	SYMBOL GENERATOR
A402	ELECTRICAL POWER DISTRIBUTION BOX	W668	26-2	VIDEO DISPLAY UNIT (VDU) AND VIDEO RECORDER
A403	MULTI-CHANNEL DIMMING CONTROLLER		4-1	AREA WEAPON SYSTEM (AWS)
A403	MULTI-CHANNEL DIMMING CONTROLLER		6-4	VHF AM-FM RADIO SET AN/ARC-186 (ADH)
A403	MULTI-CHANNEL DIMMING CONTROLLER		6-5	VHF AM-FM RADIO SET AN/ARC-186 AND AN/ARG-201A (ADI)
A403	MULTI-CHANNEL DIMMING CONTROLLER		7-1	CHAFF DISPENSER
A403	MULTI-CHANNEL DIMMING CONTROLLER		9-18	CAUTION AND WARNING
A403	MULTI-CHANNEL DIMMING CONTROLLER		9-19	EDGE LIGHTS
A403	MULTI-CHANNEL DIMMING CONTROLLER		15-1	HYDRAULIC
A403	MULTI-CHANNEL DIMMING CONTROLLER		21-3	RADAR WARNING SET AN/APR-39(V)1
A403	MULTI-CHANNEL DIMMING CONTROLLER		23-1	POWER PLANTS
A403	MULTI-CHANNEL DIMMING CONTROLLER		25-2	ENGINE ANTI-ICE

WIRING DIAGRAM DIRECTORY (cont)

REFDES	COMPONENT	CABLE	PARAGRAPH	WIRING DIAGRAM
A403	MULTI-CHANNEL DIMMING CONTROLLER		25-3	ROTOR BLADES DE-ICE
A403	MULTI-CHANNEL DIMMING CONTROLLER		25-6	FIRE DETECTION AND EXTINGUISHING
A403	MULTI-CHANNEL DIMMING CONTROLLER		26-2	VIDEO DISPLAY UNIT (VDU) AND VIDEO RECORDER
A404	AERIAL ROCKET CONTROL PANEL		3-1	AERIAL ROCKET CONTROL SYSTEM (ARCS)
A404	AERIAL ROCKET CONTROL PANEL		9-19	EDGE LIGHTS
A405	STATION DIRECTOR LH INBD		3-1	AERIAL ROCKET CONTROL SYSTEM (ARCS)
A405	STATION DIRECTOR LH OUTBD		3-1	AERIAL ROCKET CONTROL SYSTEM (ARCS)
A405	STATION DIRECTOR RH INBD		3-1	AERIAL ROCKET CONTROL SYSTEM (ARCS)
A405	STATION DIRECTOR RH OUTBD		3-1	AERIAL ROCKET CONTROL SYSTEM (ARCS)
A409	ROCKET LAUNCHER RH INBD		3-1	AERIAL ROCKET CONTROL SYSTEM (ARCS)
A409	ROCKET LAUNCHER LH INBD		3-1	AERIAL ROCKET CONTROL SYSTEM (ARCS)
A409	ROCKET LAUNCHER LH OUTBD		3-1	AERIAL ROCKET CONTROL SYSTEM (ARCS)
A409	ROCKET LAUNCHER RH OUTBD		3-1	AERIAL ROCKET CONTROL SYSTEM (ARCS)
A417	CPG AUX/ANTI-ICE PANEL	W622	2-1	AIR DATASYSTEM (ADS)
A417	CPG AUX/ANTI-ICE PANEL	W622	9-19	EDGE LIGHTS
A417	CPG AUX/ANTI-ICE PANEL	W622	10-1	ENVIRONMENTAL CONTROL SYSTEM (ECS)

WIRING DIAGRAM DIRECTORY (cont)

REFDES	COMPONENT	CABLE	PARAGRAPH	WIRING DIAGRAM
A417	CPG AUX/ANTI-ICE PANEL	W622	19-1	MULTIPLEX
A417	CPG AUX/ANTI-ICE PANEL	W622	25-5	WINDSHIELD WIPERS
A417	CPG AUX/ANTI-ICE PANEL	W622	25-7	TADS/PNVS ANTI-ICE CONTROLS
A418	TAIL ROTOR GEARBOX TEMP ALARM	W170	8-1	DRIVE SYSTEM
A419	INTRMD GEARBOX TEMP ALARM	W170	8-1	DRIVE SYSTEM
A420	ROTOR GEARBOX THERMISTORS	W171	8-1	DRIVE SYSTEM
A421	INTRMD GEARBOX THERMISTORS	W171	8-1	DRIVE SYSTEM
A422	PILOT BORESIGHT RETICLE UNIT		9-19	EDGE LIGHTS
A423	CPG BORESIGHT RETICLE UNIT		9-19	EDGE LIGHTS
A424	RH TENSIONER ASSEMBLY		4-1	AREA WEAPON SYSTEM (AWS)
A425	LH TENSIONER ASSEMBLY		4-1	AREA WEAPON SYSTEM (AWS)
A43	ECS TEMPERATURE CONTROL SENSOR		10-1	ENVIRONMENTAL CONTROL SYSTEM (ECS)
A40	CANOPYTEMPERATURE CONTROL		9-18	CAUTION AND WARNING
A48	CANOPYTEMPERATURE CONTROL		25-1	CANOPY DEFOG AND ANTI-ICE
A5	FLOW TURBINE STARTER SWITCH		23-1	POWER PLANTS
A502	REMOTE HELLFIRE ELECTRONICS		14-1	HELLFIRE MISSILE
A502	REMOTE HELLFIRE ELECTRONICS		19-1	MULTIPLEX

WIRING DIAGRAM DIRECTORY (cont)

REFDES	COMPONENT	CABLE	PARAGRAPH	WIRING DIAGRAM
A504	PILOT MISSILE PANEL		9-19	EDGE LIGHTS
A504	PILOT MISSILE PANEL		14-1	HELLFIRE MISSILE
A504	PILOT MISSILE PANEL		19-1	MULTIPLEX
A506	CPG MISSILE PANEL		9-19	EDGE LIGHTS
A506	CPG MISSILE PANEL		14-1	HELLFIRE MISSILE
A506	CPG MISSILE PANEL		19-1	MULTIPLEX
A507	DATA ENTRY KEYBOARD		9-19	EDGE LIGHTS
A507	DATA ENTRY KEYBOARD		14-1	HELLFIRE MISSILE
A507	DATA ENTRY KEYBOARD		19-1	MULTIPLEX
A509	GUN		4-1	AREA WEAPON SYSTEM (AWS)
A510	GUN TURRET	W636	4-1	AREA WEAPON SYSTEM (AWS)
A512	PILOT VHF AM-FM RECEIVER/ TRANSMITTER		6-2	TSEC/KY-58 COMMUNICATIONS SECURITY EQUIPMENT
A512	PILOT VHF AM-FM RECEIVER/ TRANSMITTER		6-4	VHF AM-FM RADIO SET AN/ARC-186 (ADH)
A512	PILOT VHF AM-FM RECEIVER/ TRANSMITTER		6-5	VHF AM-FM RADIO SET AN/ARC-186 AND AN/ARC-201A (ADI)
A512	PILOT VHF AM-FM RECEIVER/ TRANSMITTER		9-19	EDGE LIGHTS
A513	CPG VHF AM-FM RECEIVER/ TRANSMITTER		6-4	VHF AM-FM RADIO SET AN/ARC-186 (ADH)
A513	CPG VHF AM-FM RECEIVER/ TRANSMITTER		9-19	EDGE LIGHTS
A514	CPG VHF AM-FM RECEIVER/ TRANSMITTER		6-2	TSEC/KY-58 COMMUNICATIONS SECURITY EQUIPMENT
A514	CPG VHF AM-FM RECEIVER/ TRANSMITTER		6-5	VHF AM-FM RADIO SET AN/ARC-186 and AN/ARC-201A (ADI)
A515	DIMMER CONTROL ASSEMBLY		6-5	VHF AM-FM RADIO SET AN/ARC-186 and AN/ARC-201A (ADI)

WIRING DIAGRAM DIRECTORY (cont)

REFDES	COMPONENT	CABLE	PARAGRAPH	WIRING DIAGRAM
A517	CPG DIM/TEST PANEL		9-19	EDGE LIGHTS
A517	CPG DIM/TEST PANEL		18-1	ENGINE INSTRUMENTS
A518	CPG ENG INST DIMMER POWER SUPPLY		18-1	ENGINE INSTRUMENTS
A53	RADAR WARNING DISPLAY		21-3	RADAR WARNING SET AN/APR-39(V)1 (ADN) and AN/APR-39A(V)1 (ADO)
A53	RADAR WARNING DISPLAY		21-4	LASER DETECTING SET AN/AVR-2A(V)1 (ADP)
A55	RADAR WARNING COMPARATOR		21-3	RADAR WARNING SET AN/APR-39(V)1 (ADN) and AN/APR-39A(V)1 (ADO)
A55	RADAR WARNING COMPARATOR		21-4	LASER DETECTING SET AN/AVR-2A(V)1 (ADP)
A57	REFUEL PANEL	W608	13-4	PRESSURE REFUELING/DEFUELING
A58	FORWARD FUEL CELL	W215	13-3	FUEL QUANTITY INDICATION/TRANSFER
A58	FORWARD FUEL CELL	W215/W217	13-4	PRESSURE REFUELING/DEFUEL
A59	AFT FUEL CELL	W214	13-3	FUEL QUANTITY INDICATION/TRANSFER
A59	AFT FUEL CELL	W214/W216	13-4	PRESSURE REFUELING/DEFUELING
A6	APU TEMPERATURE/ SPEED SEQUENCE CONTROL UNIT		5-1	AUXILIARY POWER UNIT (APU)
A6	APU TEMPERATURE/ SPEED SEQUENCE CONTROL UNIT		9-18	CAUTION AND WARNING
A600	PILOT DISPLAY ADJUST PANEL		17-1	IHADSS
A601	CPG DISPLAY ADJUST PANEL		17-1	IHADSS
A604	CPG INTEGRATED HELMET UNIT		17-1	IHADSS
A605	PILOT INTEGRATED HELMET UNIT		17-1	IHADSS
A606	PILOT SENSOR SURVEYING UNIT (SSU) (RIGHT SIDE)		17-1	IHADSS

WIRING DIAGRAM DIRECTORY (cont)

REFDES	COMPONENT	CABLE PARAGRAPH	WIRING DIAGRAM
A607	CPG SENSOR SURVEYING UNIT (SSU) (RIGHT SIDE)	17-1	IHADSS
A608	PILOT SENSOR SURVEYING UNIT (SSU) (LEFT SIDE)	17-1	IHADSS
A609	CPG SENSOR SURVEYING UNIT (SSU) (LEFT SIDE)	17-1	IHADSS
A61	CPG MRTU TYPE III	2-1	AIR DATA SYSTEM (ADS)
A61	CPG MRTU TYPE III	3-1	AERIAL ROCKET CONTROL SYSTEM (ARCS)
A61	CPG MRTU TYPE III	4-1	AREA WEAPON SYSTEM (AWS)
A61	CPG MRTU TYPE III	9-18	CAUTION AND WARNING
A61	CPG MRTU TYPE III	14-1	HELLFIRE MISSILE
A61	CPG MRTU TYPE III	17-1	IHADSS
A61	CPG MRTU TYPE III	18-2	NAVIGATION INSTRUMENTS
A61	CPG MRTU TYPE III	19-1	MULTIPLEX
A61	CPG MRTU TYPE III	20-2	DOPPLER NAVIGATION AN/ASN-128
A61	CPG MRTU TYPE III	20-3	DOPPLER NAVIGATION AN/ASN-137 (ADC)
A61	CPG MRTU TYPE III	20-3A	DOPPLER NAVIGATION AN/ASN-137 (ADD)
A61	CPG MRTU TYPE III	20-4	HARS
A61	CPG MRTU TYPE III	22-1	PNVS
A61	CPG MRTU TYPE III	24-1	TADS
A61	CPG MRTU TYPE III	25-7	TADS/PNVS ANTI-ICE CONTROLS
A61	CPG MRTU TYPE III	26-2	VIDEO DISPLAY UNIT (VDU) AND VIDEO RECORDER

WIRING DIAGRAM DIRECTORY (cont)

REFDES	COMPONENT	CABLE PARAGRAPH	WIRING DIAGRAM
A612	SIGHT ELECTRONIC UNIT (SEU)	17-1	IHADSS
A613	DISPLAY ELECTRONIC UNIT (DEU)	17-1	IHADSS
A613	DISPLAY ELECTRONIC UNIT (DEU)	22-1	PNVS
A613	DISPLAY ELECTRONIC UNIT (DEU)	26-1	SYMBOL GENERATOR
A62	MRTU TYPE I RH FAB	3-1	AERIAL ROCKET CONTROL SYSTEM (ARCS)
A62	MRTU TYPE I RH FAB	4-1	AREA WEAPON SYSTEM (AWS)
A62	MRTU TYPE I RH FAB	8-1	DRIVE SYSTEM
A62	MRTU TYPE I RH FAB	9-1	AC ELECTRICAL POWER GENERATION
A62	MRTU TYPE I RH FAB	9-18	CAUTION AND WARNING
A62	MRTU TYPE I RH FAB	11-1	EXTERNAL STORES CONTROL
A62	MRTU TYPE I RH FAB	11-2	EXTERNAL STORES JETTISON
A62	MRTU TYPE I RH FAB	14-1	HELLFIRE MISSILE
A62	MRTU TYPE I RH FAB	17-1	IHADSS
A62	MRTU TYPE I RH FAB	19-1	MULTIPLEX
A62	MRTU TYPE I RH FAB	20-4	HARS
A62	MRTU TYPE I RH FAB	20-5	RADAR ALTIMETER (RADALT) SET
A62	MRTU TYPE I RH FAB	22-1	PNVS
A624	FIRE CONTROL COMPUTER	19-1	MULTIPLEX
A626	SYMBOL GENERATOR	17-1	IHADSS
A626	SYMBOL GENERATOR	19-1	MULTIPLEX

WIRING DIAGRAM DIRECTORY (cont)

REFDES	COMPONENT	CABLE PARAGRAPH	WIRING DIAGRAM
A626	SYMBOL GENERATOR	22-1	PNVS
A626	SYMBOL GENERATOR	24-1	TADS
A626	SYMBOL GENERATOR	26-1	SYMBOL GENERATOR
A626	SYMBOL GENERATOR	26-2	VIDEO DISPLAY UNIT (VDU) AND VIDEO RECORDER
A628	PNVS ELECTRONIC UNIT	22-1	PNVS
A628	PNVS ELECTRONIC UNIT	24-1	TADS
A628	PNVS ELECTRONIC UNIT	26-1	SYMBOL GENERATOR
A629	TADS/PNVS TURRET ASSEMBLY	22-1	PNVS
A629	TADS/PNVS TURRET ASSEMBLY	24-1	TADS
A63	MRTU TYPE I LH FAB	3-1	AERIAL ROCKET CONTROL SYSTEM (ARCS)
A63	MRTU TYPE I LH FAB	4-1	AREA WEAPON SYSTEM (AWS)
A63	MRTU TYPE I LH FAB	8-1	DRIVE SYSTEM
A63	MRTU TYPE I LH FAB	11-1	EXTERNAL STORES CONTROL
A63	MRTU TYPE I LH FAB	14-1	HELLFIRE MISSILE
A63	MRTU TYPE I LH FAB	17-1	IHADSS
A63	MRTU TYPE I LH FAB	19-1	MULTIPLEX
A63	MRTU TYPE I LH FAB	20-4	HARS
A63	MRTU TYPE I LH FAB	24-1	TADS
A63	MRTU TYPE I LH FAB	25-1	CANOPY DEFOG AND ANTI-ICE
A63	MRTU TYPE I LH FAB	25-3	ROTOR BLADES DE-ICE

WIRING DIAGRAM DIRECTORY (cont)

REFDES	COMPONENT	CABLE PARAGRAPH	WIRING DIAGRAM
A63	MRTU TYPE I LH FAB	25-7	TADS/PNVS ANTI-ICE CONTROLS
A63	MRTU TYPE I LH FAB	26-1	SYMBOL GENERATOR
A632	TADS ELECTRONIC UNIT	22-1	PNVS
A632	TADS ELECTRONIC UNIT	24-1	TADS
A632	TADS ELECTRONIC UNIT	26-1	SYMBOL GENERATOR
A633	TADS POWER SUPPLY	24-1	TADS
A634	LASER ELECTRONIC UNIT	24-1	TADS
A635	OPTICAL RELAY TUBE (ORT)	3-1	AERIAL ROCKET CONTROL SYSTEM (ARCS)
A635	OPTICAL RELAY TUBE (ORT)	4-1	AREA WEAPON SYSTEM (AWS)
A635	OPTICAL RELAY TUBE (ORT)	9-19	EDGE LIGHTS
A635	OPTICAL RELAY TUBE (ORT)	11-1	EXTERNAL STORES CONTROL
A635	OPTICAL RELAY TUBE (ORT)	14-1	HELLFIRE MISSILE
A635	OPTICAL RELAY TUBE (ORT)	17-1	IHADSS
A635	OPTICAL RELAY TUBE (ORT)	24-1	TADS
A635	OPTICAL RELAY TUBE (ORT)	26-1	SYMBOL GENERATOR
A635	OPTICAL RELAY TUBE (ORT)	26-2	VIDEO DISPLAY UNIT (VDU) AND VIDEO RECORDER
A636	AIR DATA PROCESSOR (ADP)	2-1	AIR DATA SYSTEM (ADS)

WIRING DIAGRAM DIRECTORY (cont)

REFDES	COMPONENT	CABLE PARAGRAPH	WIRING DIAGRAM
A636	AIR DATA PROCESSOR (ADP)	12-1	DASE (BUCS DEACTIVATED)
A636	AIR DATA PROCESSOR (ADP)	12-2	DASE (BUCS ACTIVATED)
A637	STABILATOR CONTROL UNIT 1	12-1	DASE (BUCS DEACTIVATED)
A637	STABILATOR CONTROL UNIT 1	12-2	DASE (BUCS ACTIVATED)
A637	STABILATOR CONTROL UNIT 1	12-4	STABILATOR
A638	STABILATOR CONTROL UNIT 2	12-1	DASE (BUCS DEACTIVATED)
A638	STABILATOR CONTROL UNIT 2	12-2	DASE (BUCS ACTIVATED)
A638	STABILATOR CONTROL UNIT 2	12-4	STABILATOR
A639	RATE GYRO 1	12-4	STABILATOR
A640	RATE GYRO 2	12-4	STABILATOR
A641	PILOT MANUAL STABILATOR CONTROL PANEL	W648 9-19	EDGE LIGHTS
A641	CPG MANUAL STABILATOR CONTROL PANEL	W648 9-19	EDGE LIGHTS
A641	PILOT MANUAL STABILATOR CONTROL PANEL	W648 12-4	STABILATOR
A641	CPG MANUAL STABILATOR CONTROL PANEL	W648 12-4	STABILATOR
A656	PILOT COLLECTIVE POTENTIOMETER POSITION TRANSDUCER	23-1	POWER PLANTS

WIRING DIAGRAM DIRECTORY (cont)

REFDES	COMPONENT	CABLE PARAGRAPH	WIRING DIAGRAM
A659	COMPUTER CONTROL AND DISPLAY UNIT (CDU)	9-19	EDGE LIGHTS
A659	COMPUTER CONTROL AND DISPLAY UNIT (CDU)	20-3	DOPPLER NAVIGATION AN/ASN-137 (ADC)
A659	COMPUTER CONTROL AND DISPLAY UNIT (CDU)	20-3A	DOPPLER NAVIGATION AN/ASN-137 (ADD)
A659	COMPUTER CONTROL AND DISPLAY UNIT (CDU)	20-7	DATA TRANSFER UNIT (ADD)
A659	COMPUTER CONTROL AND DISPLAY UNIT (CDU)	20-8	EGI (ADD)
A675	SIGNAL DATA CONVERTER (SDC)	18-2	NAVIGATION INSTRUMENTS
A675	SIGNAL DATA CONVERTER (SDC)	20-3	DOPPLER NAVIGATION AN/ASN-137 (ADC)
A675	SIGNAL DATA CONVERTER COMPUTER (SDCC)	20-3A	DOPPLER NAVIGATION AN/ASN-137 (ADD)
A69	DASEC	2-1	AIR DATA SYSTEM (ADS)
A69	DASEC	5-1	AUXILIARY POWERUNIT (APU)
A69	DASEC	8-1	DRIVE SYSTEM
A69	DASEC	9-18	CAUTION AND WARNING
A69	DASEC	12-1	DASE (BUCS DEACTIVATED)
A69	DASEC	12-2	DASE (BUCS ACTIVATED)
A69	DASEC	12-3	FORCE TRIM
A69	DASEC	12-4	STABILATOR
A69	DASEC	18-1	ENGINE INSTRUMENTS
A69	DASEC	19-1	MULTIPLEX
A69	DASEC	20-4	HARS
A69	DASEC	25-3	ROTOR BLADES DE-ICE
A69	DASEC	26-2	VIDEO DISPLAY UNIT (VDU) AND VIDEO RECORDER
A695	ICE DETECTOR SENSOR	25-3	ROTOR BLADES DE-ICE
A697	LEFT ENGINE FIREWALL LOUVER FIRE/OVERHEAT DETECTOR	25-6	FIRE DETECTION AND EXTINGUISHING

WIRING DIAGRAM DIRECTORY (cont)

<u>REFDES</u>	<u>COMPONENT</u>	<u>CABLE</u>	<u>PARAGRAPH</u>	<u>WIRING DIAGRAM</u>
A698	RIGHT ENGINE FIREWALL LOUVER FIRE/OVERHEAT DETECTOR		25-6	FIRE DETECTION AND EXTINGUISHING
A699	MAIN DECK FIRE/OVERHEAT DETECTOR		25-6	FIRE DETECTION AND EXTINGUISHING
A7	CHAFF DISPENSER		7-1	CHAFF DISPENSER
A700	RADAR JAMMER LIGHTS RELAY BOX		21-2	RADAR JAMMER AN/ALQ-136
A701	SEARCH/LANDING LIGHT RELAY ASSEMBLY		9-24	LANDING/SEARCH LIGHT
A705	DASE FILTER ADAPTER (P682)		12-2	DASE (BUCS ACTIVATED)
A705	DASE FILTER ADAPTER (P682)		18-1	ENGINE INSTRUMENTS
A705	DASE FILTER ADAPTER (P682)		20-4	HARS
A706	DASE FILTER ADAPTER (P683)		2-1	AIR DATA SYSTEM (ADS)
A766	DASE FILTER ADAPTER (P683)		12-2	DASE (BUCS ACTIVATED)
A707	DASE FILTER ADAPTER (P686)		2-1	AIR DATA SYSTEM (ADS)
A707	DASE FILTER ADAPTER (P686)		12-2	DASE (BUCS ACTIVATED)
A707	DASE FILTER ADAPTER (P686)		20-4	HARS
A708	DASE FILTER ADAPTER (P688)		2-1	AIR DATA SYSTEM (ADS)

WIRING DIAGRAM DIRECTORY (cont)

<u>REFDES</u>	<u>COMPONENT</u>	<u>CABLE</u>	<u>PARAGRAPH</u>	<u>WIRING DIAGRAM</u>
A708	DASE FILTER ADAPTER (P688)		12-2	DASE (BUCS ACTIVATED)
A709	AIR TURBINE SPEED CUTOFF SWITCH		23-1	POWER PLANTS
A76	PILOT CIRCUIT BREAKER PANEL	W605	2-1	AIR DATA SYSTEM (ADS)
A76	PILOT CIRCUIT BREAKER PANEL	W605	3-1	AERIAL ROCKETS SYSTEM (ARCS)
A76	PILOT CIRCUIT BREAKER PANEL	W605	4-1	AREA WEAPON SYSTEM (AWS)
A76	PILOT CIRCUIT BREAKER PANEL	W605	5-1	AUXILIARY POWER UNIT (APU)
A76	PILOT CIRCUIT BREAKER PANEL	W605	6-1	INTERCOMMUNICATION
A76	PILOT CIRCUIT BREAKER PANEL	W605	6-2	TSEC/KY-58 COMMUNICATIONS SECURITY EQUIPMENT
A76	PILOT CIRCUIT BREAKER PANEL	W605	6-3	UHF-AM RADIO SET
A76	PILOT CIRCUIT BREAKER PANEL	W605	6-4	VHF AM-FM RADIO SET AN/ARC-186 (ADH)
A76	PILOT CIRCUIT BREAKER PANEL	W605	6-5	VHF AM-FM RADIO SET AN/ARG-186 AND AN/ARC-201A (ADI)
A76	PILOT CIRCUIT BREAKER PANEL	W605	7-1	CHAFF DISPENSER
A76	PILOT CIRCUIT BREAKER PANEL	W605	8-1	DRIVE SYSTEM
A76	PILOT CIRCUIT BREAKER PANEL	W605	9-2	DC ELECTRICAL POWER GENERATION
A76	PILOT CIRCUIT BREAKER PANEL	W605	9-4	BATTERY AND BATTERY CHARGER
A76	PILOT CIRCUIT BREAKER PANEL	W605	9-5	CIRCUIT PROTECTION (AC ESSENTIAL BUS 1- PILOT STATION)
A76	PILOT CIRCUIT BREAKER PANEL	W605	9-7	CIRCUIT PROTECTION (AC ESSENTIAL BUS 2- PILOT STATION)

WIRING DIAGRAM DIRECTORY (cont)

REFDES	COMPONENT	CABLE PARAGRAPH	WIRING DIAGRAM
A76	PILOT CIRCUIT BREAKER PANEL	W605 9-9	CIRCUIT PROTECTION (DC ESSENTIAL BUS 1-PILOT STATION)
A76	PILOT CIRCUIT BREAKER PANEL	W605 9-11	CIRCUIT PROTECTION (DC ESSENTIAL BUS 1-PILOT STATION)
A76	PILOT CIRCUIT BREAKER PANEL	W605 9-12	CIRCUIT PROTECTION (DC ESSENTIAL BUS 3-PILOT STATION)
A76	PILOT CIRCUIT BREAKER PANEL	W605 9-14	CIRCUIT PROTECTION (DC EMERGENCY BUS - PILOT STATION)
A76	PILOT CIRCUIT BREAKER PANEL	W605 9-16	CIRCUIT PROTECTION (DC GROUND CIRCUIT BREAKERS - PILOT STATION)
A76	PILOT CIRCUIT BREAKER PANEL	W605 9-18	CAUTION AND WARNING
A76	PILOT CIRCUIT BREAKER PANEL	W605 9-19	EDGE LIGHTS
A76	PILOT CIRCUIT BREAKER PANEL	W605 9-21	PILOT UTILITY AND SECONDARY LIGHTS
A76	PILOT CIRCUIT BREAKER PANEL	W605 9-22	ANTI-COLLISION LIGHTS
A76	PILOT CIRCUIT BREAKER PANEL	W605 9-23	FORMATION LIGHTS
A76	PILOT CIRCUIT BREAKER PANEL	W605 9-24	LANDING/SEARCH LIGHTS
A76	PILOT CIRCUIT BREAKER PANEL	W605 9-25	NAVIGATION LIGHTS
A76	PILOT CIRCUIT BREAKER PANEL	W605 9-27	AUDIO WARNING
A76	PILOT CIRCUIT BREAKER PANEL	W605 9-28	SQUAT SWITCH

WIRING DIAGRAM DIRECTORY (cont)

REFDES	COMPONENT	CABLE PARAGRAPH	WIRING DIAGRAM
A76	PILOT CIRCUIT BREAKER PANEL	W605 10-1	ENVIRONMENTAL CONTROL SYSTEM (ECS)
A76	PILOT CIRCUIT BREAKER PANEL	W605 11-1	EXTERNAL STORES CONTROL
A76	PILOT CIRCUIT BREAKER PANEL	W605 11-2	EXTERNAL STORES JETTISON
A76	PILOT CIRCUIT BREAKER PANEL	W605 12-1	DASE (BUCS DEACTIVATED)
A76	PILOT CIRCUIT BREAKER PANEL	W605 12-2	DASE (BUCS ACTIVATED)
A76	PILOT CIRCUIT BREAKER PANEL	W605 12-3	FORCE TRIM
A76	PILOT CIRCUIT BREAKER PANEL	W605 12-4	STABILATOR
A76	PILOT CIRCUIT BREAKER PANEL	W605 13-1	AUXILIARY FUEL
A76	PILOT CIRCUIT BREAKER PANEL	W605 13-2	FUEL CROSSFEED/BOOST
A76	PILOT CIRCUIT BREAKER PANEL	W605 13-3	FUEL QUANTITY INDICATION/TRANSFER
A76	PILOT CIRCUIT BREAKER PANEL	W605 13-4	PRESSURE REFUELING/DEFUELING
A76	PILOT CIRCUIT BREAKER PANEL	W605 14-1	HELLFIRE MISSILE
A76	PILOT CIRCUIT BREAKER PANEL	W605 15-1	HYDRAULIC
A76	PILOT CIRCUIT BREAKER PANEL	W605 15-2	PRESSURIZED AIR SYSTEM (PAS)
A76	PILOT CIRCUIT BREAKER PANEL	W605 16-1	IFF
A76	PILOT CIRCUIT BREAKER PANEL	W605 17-1	IHADSS
A76	PILOT CIRCUIT BREAKER PANEL	W605 18-1	ENGINE INSTRUMENTS

WIRING DIAGRAM DIRECTORY (cont)

WIRING DIAGRAM DIRECTORY (cont)

REFDES	COMPONENT	CABLE	PARAGRAPH	WIRING DIAGRAM
A76	PILOT CIRCUIT BREAKER PANEL	W605	18-2	NAVIGATION INSTRUMENTS
A76	PILOT CIRCUIT BREAKER PANEL	W605	19-1	MULTIPLEX
A76	PILOT CIRCUIT BREAKER PANEL	W605	20-1	AUTOMATIC DIRECTION FINDER (ADF) AN/ARN-89
A76	PILOT CIRCUIT BREAKER PANEL	W605	20-2	DOPPLER NAVIGATION AN/ASN-128
A76	PILOT CIRCUIT BREAKER PANEL	W605	20-3	DOPPLER NAVIGATION AN/ASN-137 (ADC)
A76	PILOT CIRCUIT BREAKER PANEL	W605	20-3A	DOPPLER NAVIGATION AN/ASN-137 (ADD)
A76	PILOT CIRCUIT BREAKER PANEL	W605	20-4	HARS
A76	PILOT CIRCUIT BREAKER PANEL	W605	20-5	RADAR ALTIMETER (RADALT) SET
A76	PILOT CIRCUIT BREAKER PANEL	W605	20-6	AUTOMATIC DIRECTION FINDER (ADF) AN/ARN-149
A76	PILOT CIRCUIT BREAKER PANEL	W605	21-1	IR JAMMER AN/ALQ-144
A76	PILOT CIRCUIT BREAKER PANEL	W605	21-2	RADAR JAMMER AN/ALQ-136
A76	PILOT CIRCUIT BREAKER PANEL	W605	21-3	RADAR WARNING SET AN/APR-39(V)1
A76	PILOT CIRCUIT BREAKER PANEL	W605	22-1	PNVS
A76	PILOT CIRCUIT BREAKER PANEL	W605	23-1	POWER PLANTS
A76	PILOT CIRCUIT BREAKER PANEL	W605	25-2	ENGINE ANTI-ICE
A76	PILOT CIRCUIT BREAKER PANEL	W605	25-3	ROTOR BLADES DE-ICE
A76	PILOT CIRCUIT BREAKER PANEL	W605	25-4	PITOT ANTI-ICE
A76	PILOT CIRCUIT BREAKER PANEL	W605	25-5	WINDSHIELD WIPERS

REFDES	COMPONENT	CABLE	PARAGRAPH	WIRING DIAGRAM
A76	PILOT CIRCUIT BREAKER PANEL	W605	25-6	FIRE DETECTION AND EXTINGUISHING
A76	PILOT CIRCUIT BREAKER PANEL	W605	25-7	TADS/PNVS ANTI-ICE CONTROLS
A76	PILOT CIRCUIT BREAKER PANEL	W605	26-1	SYMBOL GENERATOR
A76	PILOT CIRCUIT BREAKER PANEL	W605	26-2	VIDEO DISPLAY UNIT (VDU) AND VIDEO RECORDER
A77	CPG CIRCUIT BREAKER PANEL	W621	4-1	AREA WEAPON SYSTEM (AWS)
A77	CPG CIRCUIT BREAKER PANEL 1	W621	6-1	INTERCOMMUNICATION
A77	CPG CIRCUIT BREAKER PANEL 1	W621	6-4	VHF AM-FM RADIO SET AN/ARC-186 (ADH)
A77	CPG CIRCUIT BREAKER PANEL 1	W621	6-5	VHF AM-FM RADIO SET AN/ARC-186 AND AN/ARC-201A (ADI)
A77	CPG CIRCUIT BREAKER PANEL 1	W621	8-1	DRIVE SYSTEM
A77	CPG CIRCUIT BREAKER PANEL 1	W621	9-6	CIRCUIT PROTECTION (AC ESSENTIAL BUS 1-CPG STATION)
A77	CPG CIRCUIT BREAKER PANEL 1	W621	9-8	CIRCUIT PROTECTION (AC ESSENTIAL BUS 2-CPG STATION)
A77	CPG CIRCUIT BREAKER PANEL 1	W621	9-13	CIRCUIT PROTECTION (DC ESSENTIAL BUS 3-CPG STATION)
A77	CPG CIRCUIT BREAKER PANEL 1	W621	9-15	CIRCUIT PROTECTION (DC EMERGENCY BUS - CPG STATION)
A77	CPG CIRCUIT BREAKER PANEL 1	W621	9-17	CIRCUIT PROTECTION (DC GROUND CIRCUIT BREAKERS - CPG STATION)
A77	CPG CIRCUIT BREAKER PANEL 1	W621	9-18	CAUTION AND WARNING
A77	CPG CIRCUIT BREAKER PANEL 1	W621	9-19	EDGE LIGHTS

WIRING DIAGRAM DIRECTORY (cont)

REFDES	COMPONENT	CABLE PARAGRAPH		WIRING DIAGRAM
A77	CPG CIRCUIT BREAKER PANEL 1	W261	9-20	CPG UTILITY AND SECONDARY LIGHTS
A77	CPG CIRCUIT BREAKER PANEL 1	W621	14-1	HELLFIRE MISSILE
A77	CPG CIRCUIT BREAKER PANEL 1	W621	18-1	ENGINE INSTRUMENTS
A77	CPG CIRCUIT BREAKER PANEL 1	W621	18-2	NAVIGATION INSTRUMENTS
A77	CPG CIRCUIT BREAKER PANEL 1	W621	19-1	MULTIPLEX
A77	CPG CIRCUIT BREAKER PANEL 1	W621	26-2	VIDEO DISPLAY UNIT (VDU) AND VIDEO RECORDER
A78	EMERG PWR CHK OVSP TEST PANEL		9-19	EDGE LIGHTS
A78	EMERG PWR CHK OVSP TEST PANEL		23-1	POWER PLANTS
A80	CPG COLLECTIVE STICK	W119	9-19	EDGE LIGHTS
A80	CPG COLLECTIVE STICK	W119	9-24	LANDING/SEARCH LIGHTS
A80	CPG COLLECTIVE STICK	W119	11-2	EXTERNAL STORES JETTISON
A80	CPG COLLECTIVE STICK	W119	12-1	DASE (BUCS DEACTIVATED)
A80	CPG COLLECTIVE STICK	W119	12-2	DASE (BUCS ACTIVATED)
A80	CPG COLLECTIVE STICK	W119	17-1	IHADSS
A80	CPG COLLECTIVE STICK	W119	19-1	MULTIPLEX
A80	CPG COLLECTIVE STICK	W119	23-1	POWER PLANTS
A81	PILOT COLLECTIVE STICK	W119	9-18	CAUTION AND WARNING

WIRING DIAGRAM DIRECTORY (cont)

REFDES	COMPONENT	CABLE PARAGRAPH		WIRING DIAGRAM
A81	PILOT COLLECTIVE STICK	W119	9-24	LANDING/SEARCH LIGHTS
A81	PILOT COLLECTIVE STICK	W119	11-2	EXTERNAL STORES JETTISON
A81	PILOT COLLECTIVE STICK	W119	17-1	IHADSS
A81	PILOT COLLECTIVE STICK	W119	19-1	MULTIPLEX
A81	PILOT COLLECTIVE STICK	W119	23-1	POWER PLANTS
A82	SIGNAL DATA CONVERTER		9-18	CAUTION AND WARNING
A82	SIGNAL DATA CONVERTER		13-3	FUEL QUANTITY INDICATION/TRANSFER
A82	SIGNAL DATA CONVERTER		13-4	PRESSURE REFUELING/DEFUELING
A82	SIGNAL DATA CONVERTER		18-1	ENGINE INSTRUMENTS
A83	PYLON ACTUATOR CONTROLLER 1		11-1	EXTERNAL STORES CONTROL
A83	PYLON ACTUATOR CONTROLLER 2		11-1	EXTERNAL STORES CONTROL
A83	PYLON ACTUATOR CONTROLLER 3		11-1	EXTERNAL STORES CONTROL
A83	PYLON ACTUATOR CONTROLLER 4		11-1	EXTERNAL STORES CONTROL
A85	ROUNDS COUNTER/MAGAZINE CONTROLLER (RC/MC)		4-1	AREA WEAPON SYSTEM (AWS)
A9	ENGINE OUT WARNING UNIT		8-1	DRIVE SYSTEM
A9	ENGINE OUT WARNING UNIT		9-18	CAUTION AND WARNING
A9	ENGINE OUT WARNING UNIT		9-27	AUDIO WARNING

WIRING DIAGRAM DIRECTORY (cont)

REFDES	COMPONENT	CABLE	PARAGRAPH	WIRING DIAGRAM
A9	ENGINE OUT WARNING UNIT		12-4	STABILATOR
A9	ENGINE OUT WARNING UNIT		18-1	ENGINE INSTRUMENTS
A9	ENGINE OUT WARNING UNIT		23-1	POWER PLANTS
A90	PYLON ACTUATOR ASSEMBLY 1		11-1	EXTERNAL STORES CONTROL
A90	PYLON ACTUATOR ASSEMBLY 2		11-1	EXTERNAL STORES CONTROL
A90	PYLON ACTUATOR ASSEMBLY 3		11-1	EXTERNAL STORES CONTROL
A90	PYLON ACTUATOR ASSEMBLY 4		11-1	EXTERNAL STORES CONTROL
A94	PILOT STORES JETTISON PANEL	W617	9-19	EDGE LIGHTS
A94	PILOT STORES JETTISON PANEL	W617	11-2	EXTERNAL STORES JETTISON
A95	PILOT INSTRUMENT PANEL		20-4	HARS
A97	CPG CIRCUIT BREAKER PANEL 2	W615	9-6	CIRCUIT PROTECTION (AC ESSENTIAL BUS 1-CPG STATION)
A97	CPG CIRCUIT BREAKER PANEL 2	W615	9-10	CIRCUIT PROTECTION (DC ESSENTIAL BUS 1-CPG STATION)
A97	CPG CIRCUIT BREAKER PANEL 2	W615	9-13	CIRCUIT PROTECTION (DC ESSENTIAL BUS 3-CPG STATION)
A97	CPG CIRCUIT BREAKER PANEL 2	W615	9-19	EDGE LIGHTS
A97	CPG CIRCUIT BREAKER PANEL 2	W615	10-1	ENVIRONMENTAL CONTROL SYSTEM (ECS)
A97	CPG CIRCUIT BREAKER PANEL 2	W615	17-1	IHADSS

WIRING DIAGRAM DIRECTORY (cont)

REFDES	COMPONENT	CABLE	PARAGRAPH	WIRING DIAGRAM
A97	CPG CIRCUIT BREAKER PANEL 2	W615	20-3	DOPPLER NAVIGATION AN/ASN-137 (ADC)
A97	CPG CIRCUIT BREAKER PANEL 2	W615	20-3A	DOPPLER NAVIGATION AN/ASN-137 (ADD)
A97	CPG CIRCUIT BREAKER PANEL 2	W615	24-1	TADS
A98	ELECTRONIC MODULE		7-1	CHAFF DISPENSER
A99	DISPENSER CONTROL PANEL		7-1	CHAFF DISPENSER
A99	DISPENSER CONTROL PANEL		9-19	EDGE LIGHTS
AR1	APU FLAME DETECTOR AMPLIFIER		25-6	FIRE DETECTION AND EXTINGUISHING
AR2	ENG 2 FLAME DETECTOR AMPLIFIER		25-6	FIRE DETECTION AND EXTINGUISHING
AR3	ENG 1 FLAME DETECTOR AMPLIFIER		25-6	FIRE DETECTION AND EXTINGUISHING
AR350	IMPEDANCE MATCHING AMPLIFIER		20-1	AUTOMATIC DIRECTION FINDER (ADF) AN/ARN-89
B1 (A402)	POWER CONTROL FAN MOTOR	W668	10-1	ENVIRONMENTAL CONTROL SYSTEM (ECS)
B1 SP1 (A402)	SPLICE	W668	10-1	ENVIRONMENTAL CONTROL SYSTEM (ECS)
B1 SP2 (A402)	SPLICE	W668	10-1	ENVIRONMENTAL CONTROL SYSTEM (ECS)
B1 SP3 (A402)	SPLICE	W668	10-1	ENVIRONMENTAL CONTROL SYSTEM (ECS)
B11	CENTRIFUGAL COOLING FAN	W119	21-2	RADAR JAMMER AN/ALQ-136
B11 SP1	SPLICE	W119	21-2	RADAR JAMMER AN/ALQ-136
B11 SP2	SPLICE	W119	21-2	RADAR JAMMER AN/ALQ-136
B11 SP3	SPLICE	W119	21-2	RADAR JAMMER AN/ALQ-136

WIRING DIAGRAM DIRECTORY (cont)

REFDES	COMPONENT	CABLE	PARAGRAPH	WIRING DIAGRAM
B11 SP4	SPLICE	W119	21-2	RADAR JAMMER AN/ALQ-136
B2	AFT AVIONICS BAY VANEAXIAL FAN	W108	10-1	ENVIRONMENTAL CONTROL SYSTEM (ECS)
B3	LEFT FAB VANEAXIAL RELAY	W119	10-1	ENVIRONMENTAL CONTROL SYSTEM (ECS)
B3 SP1	SPLICE	W2119	10-1	ENVIRONMENTAL CONTROL SYSTEM (ECS)
B3 SP2	SPLICE	W119	10-1	ENVIRONMENTAL CONTROL SYSTEM (ECS)
B3 SP3	SPLICE	W119	10-1	ENVIRONMENTAL CONTROL SYSTEM (ECS)
B3 SP4	SPLICE	W119	10-1	ENVIRONMENTAL CONTROL SYSTEM (ECS)
B3 SP5	SPLICE	W119	16-1	ENVIRONMENTAL CONTROL SYSTEM (ECS)
B3 SP6	SPLICE	W119	10-1	ENVIRONMENTAL CONTROL SYSTEM (ECS)
B4	PILOT WINDSHIELD WIPER MOTOR	W119	25-5	WINDSHIELD WIPERS
B5	CPG WINDSHIELD WIPER MOTOR	W119	25-5	WINDSHIELD WIPERS
B8	RIGHT FAB VANEAXIAL RELAY	W118	10-1	ENVIRONMENTAL CONTROL SYSTEM (ECS)
B8 SP1	SPLICE	W118	10-1	ENVIRONMENTAL CONTROL SYSTEM (ECS)
B8 SP2	SPLICE	W118	10-1	ENVIRONMENTAL CONTROL SYSTEM (ECS)
B8 SP3	SPLICE	W118	10-1	ENVIRONMENTAL CONTROL SYSTEM (ECS)
B8 SP4	SPLICE	W118	10-1	ENVIRONMENTAL CONTROL SYSTEM (ECS)
B8 SP5	SPLICE	W118	10-1	ENVIRONMENTAL CONTROL SYSTEM (ECS)

WIRING DIAGRAM DIRECTORY (cont)

REFDES	COMPONENT	CABLE	PARAGRAPH	WIRING DIAGRAM
B8 SP6	SPLICE	W118	10-1	ENVIRONMENTAL CONTROL SYSTEM (ECS)
B9	BATTERY BOX	W621	6-5	VHF AM-FM RADIO SET AN/ARC-186 AND AN/RG201A (ADI)
BT1	BATTERY		9-4	BATTERY AND BATTERY CHARGER
BT2	BATTERY CHARGER		9-4	BATTERY AND BATTERY CHARGER
BT2	BATTERY CHARGER		9-18	CAUTION AND WARNING
C1 (A94)	CAPACITOR	W617	11-2	EXTERNAL STORES JETTISON
C1 (DS11)	CAPACITOR	W119	9-24	LANDING/SEARCH LIGHTS
C1 (XA85)	CAPACITOR 160 mf	W659	4-1	AREA WEAPON SYSTEM (AWS)
C2 (A94)	CAPACITOR	W617	11-2	EXTERNAL STORES JETTISON
C2 (XA85)	CAPACITOR 10 mf	W659	4-1	AREA WEAPON SYSTEM (AWS)
C3 (A94)	CAPACITOR	W617	11-2	EXTERNAL STORES JETTISON
C4 (A94)	CAPACITOR	W617	11-2	EXTERNAL STORES JETTISON
CB1 (A402)	RADAR JAM DC POWER RCCB	W668	21-2	RADAR JAMMER AN/ALQ-136
CB1 (A76)	POWER XFMR RECT 1 CIRCUIT BREAKER	W605	9-2	DC ELECTRICAL POWER GENERATION
CB1 (A76)	POWER XFMR RECT 1 CIRCUIT BREAKER	W665	9-5	CIRCUIT PROTECTION (AC ESSENTIAL BUS 1-PILOT STATION)
CB1 (A77)	MUX L PYL INBD CIRCUIT BREAKER	W621	9-13	CIRCUIT PROTECTION (DC ESSENTIAL BUS 3-CPG STATION)
CB1 (A77)	MUX L PYL INBD CIRCUIT BREAKER	W621	19-1	MULTIPLEX

WIRING DIAGRAM DIRECTORY (cont)

WIRING DIAGRAM DIRECTORY (Cont)

REFDES	COMPONENT	CABLE	PARAGRAPH	WIRING DIAGRAM
CB1 (A97)	IHADSS CIRCUIT BREAKER	W615	9-6	CIRCUIT PROTECTION (AC ESSENTIAL BUS 1-CPG STATION)
CB1 (A97)	IHADSS CIRCUIT BREAKER	W615	17-1	IHADSS
CB10 (A76)	APU HOLD CIRCUIT BREAKER	W605	5-1	AUXILIARY POWER UNIT (APU)
CB10 (A76)	APU HULD CIRCUIT BREAKER	W605	9-14	CIRCUIT PROTECTION (DC EMERGENCY BUS - PILOT STATION)
CB10 (A77)	MUX FAB L CIRCUIT BREAKER	W621	9-13	CIRCUIT PROTECTION (DC ESSENTIAL BUS 3-CPG STATION)
CB10 (A77)	MUX FAB L CIRCUIT BREAKER	W621	19-1	MULTIPLEX
CB11 (A76)	FIRE DETR APU CIRCUIT BREAKER	W605	9-14	CIRCUIT PROTECTION (DC EMERGENCY BUS - PILOT STATION)
CB11 (A76)	FIRE DETR APU CIRCUIT BREAKER	W605	25-6	FIRE DETECTION AND EXTINGUISHING
CB11 (A77)	AWS AWS AC CIRCUIT BREAKER	W621	4-1	AREA WEAPON SYSTEM (AWS)
CB11 (A77)	AWS AWS AC CIRCUIT BREAKER	W621	9-6	CIRCUIT PROTECTION (AC ESSENTIAL BUS 1- CPG STATION)
CB12 (A76)	FIRE DETR ENG 1 CIRCUIT BREAKER	W605	9-14	CIRCUIT PROTECTION (DC EMERGENCY BUS - PILOT STATION)
CB12 (A76)	FIRE DETR ENG 1 CIRCUIT BREAKER	W605	9-14	CIRCUIT PROTECTION (DC EMERGENCY BUS - PILOT STATION)
CB12 (A76)	FIRE DETR ENG 1 CIRCUIT BREAKER	W605	25-6	FIRE DETECTION AND EXTINGUISHING
CB12 (A77)	AWS AWS DC CIRCUIT BREAKER	W621	4-1	AREA WEAPON SYSTEM (AWS)

REFDES	COMPONENT	CABLE	PARAGRAPH	WIRING DIAGRAM
CB12 (A77)	AWS AWS DC CIRCUIT BREAKER	W621	9-13	CIRCUIT PROTECTION (DC ESSENTIAL BUS 3-CPG STATION)
CB13 (A76)	FIRE DETR ENG 2 CIRCUIT BREAKER	W605	9-14	CIRCUIT PROTECTION (DC EMERGENCY BUS-PILOT STATION)
CB13 (A76)	FIRE DETR ENG 2 CIRCUIT BREAKER	W605	25-6	FIRE DETECTION AND EXTINGUISHING
CB13 (A77)	EMERG BATT ICS CIRCUIT BREAKER	W621	6-1	INTERCOMMUNICATION
CB13 (A77)	EMERG BATT ICS CIRCUIT BREAKER	W621	9-15	CIRCUIT PROTECTION (DC EMERGENCY BUS - CPG STATION)
CB14 (A76)	FUEL VLV ACTR CIRCUIT BREAKER	W605	9-14	CIRCUIT PROTECTION (DC EMERGENCY BUS - PILOT STATION)
CB14 (A76)	FUEL VLV ACTR CIRCUIT BREAKER	W605	25-6	FIRE DETECTION AND EXTINGUISHING
CB14 (A77)	PRI LT CIRCUIT BREAKER	W621	9-8	CIRCUIT PROTECTION (AC ESSENTIAL BUS 2-CPG STATION)
CB14 (A77)	PRI LT CIRCUIT BREAKER	W621	9-19	EDGE LIGHTS
CB148	APU CIRCUIT BREAKER AFT AVIONICS BAY	W108	5-1	AUXILIARY POWER UNIT (APU)
CB148	APU CIRCUIT BREAKER AFT AVIONICS BAY	W108	9-4	BATTERY AND BATTERY CHARGER
CB15 (A76)	FIRE EXTGH CPG CIRCUIT BREAKER	W605	9-14	CIRCUIT PROTECTION (DC EMERGENCY BUS - PILOT STATION)
CB15 (A76)	FIRE EXTGH CPG CIRCUIT BREAKER	W605	25-6	FIRE DETECTION AND EXTINGUISHING
CB15 (A77)	MUX CPG CIRCUIT BREAKER	W621	9-13	CIRCUIT PROTECTION (DC ESSENTIAL BUS 3-CPG STATION)

WIRING DIAGRAM DIRECTORY(cont)

REFDES	COMPONENT	CABLE PARAGRAPH		WIRING DIAGRAM
CB15 (A77)	MUX CPG CIRCUIT BREAKER	W621	19-1	MULTIPLEX
CB16 (A76)	ENG LVR CIRCUIT BREAKER	W605	9-14	CIRCUIT PROTECTION (DC EMERGENCY BUS - PILOT STATION)
CB16 (A76)	ENG LVR CIRCUIT BREAKER	W605	25-6	FIRE DETECTION AND EXTINGUISHING
CB16 (A77)	FC FCC AC CIRCUIT BREAKER	W621	9-6	CIRCUIT PROTECTION (AC ESSENTIAL BUS 1 - CPG STATION)
CB16 (A77)	FC FCC AC CIRCUIT BREAKER	W621	19-1	MULTIPLEX
CB17 (A76)	ENG INST CIRCUIT BREAKER	W605	9-14	CIRCUIT PROTECTION (DC EMERGENCY BUS - PILOT STATION)
CB17 (A76)	ENG INST CIRCUIT BREAKER	W605	18-1	ENGINE INSTRUMENTS
CB17 (A77)	MSL DC ELEC CIRCUIT BREAKER	W621	9-13	CIRCUIT PROTECTION (DC ESSENTIAL BUS 3 - CPG STATION)
CB17 (A77)	MSL DC ELEC CIRCUIT BREAKER	W621	14-1	HELLFIRE MISSILE
CB18 (A76)	ASE AC CIRCUIT BREAKER	W605	9-5	CIRCUIT PROTECTION (AC ESSENTIAL BUS 1 - PILOT STATION)
CB18 (A76)	ASE AC CIRCUIT BREAKER	W605	12-1	DASE (BUCS DEACTIVATED)
CB18 (A76)	ASE AC CIRCUIT BREAKER	W605	12-2	DASE (BUCS ACTIVATED)
CB18 (A77)	MSL R OUTBD LCHR AC CIRCUIT BREAKER	W621	9-6	CIRCUIT PROTECTION (AC ESSENTIAL BUS 1 - CPG STATION)
CB18 (A77)	MSL R OUTBD LCHR AC CIRCUIT BREAKER	W621	14-1	HELLFIRE MISSILE

WIRING DIAGRAM DIAGRAM DIRECTORY (cont)

REFDES	COMPONENT	CABLE PARAGRAPH		WIRING DIAGRAM
CB19 (A76)	STBY ATTD CIRCUIT BREAKER	W605	9-14	CIRCUIT PROTECTION (DC EMERGENCY BUS - PILOT STATION)
CB19 (A76)	STBY ATTD CIRCUIT BREAKER	W605	9-19	EDGE LIGHTS
CB19 (A77)	MSL R OUTBD LCIIR DC CIRCUIT BREAKER	W621	9-17	CIRCUIT PROTECTION (DC GROUND CIRCUIT BREAKERS - CPG STATION)
CB19 (A77)	MSL R OUTBD LCHR DC CIRCUIT BREAKER	W621	14-1	HELLFIRE MISSILE
CB2 (A402)	IR JAMMER POWER RCCB	W668	21-1	IR JAMMER AN/ALQ-144
CB2 (A76)	STAB AUTO AC CIRCUIT BREAKER	W605	9-5	CIRCUIT PROTECTION (AC ESSENTIAL BUS 1 - PILOT STATION)
CB2 (A76)	STAB AUTO AC CIRCUIT BREAKER	W605	12-4	STABILATOR
CB2 (A77)	MUX L PYL OUTBD CIRCUIT BREAKER	W621	9-13	CIRCUIT PROTECTION (DC ESSENTIAL BUS 3 - CPG STATION)
CB2 (A77)	MUX L PYL OUTBD CIRCUIT BREAKER	W621	19-1	MULTIPLEX
CB2 (A97)	TADS DC CIRCUIT BREAKER	W615	9-10	CIRCUIT PROTECTION (DC ESSENTIAL BUS 1 - CPG STATION)
CB2 (A97)	TADS DC CIRCUIT BREAKER	W615	24-1	TADS
CB20 (A77)	ATTD IND CIRCUIT BREAKER	W621	9-6	CIRCUIT PROTECTION (AC ESSENTIAL BUS 1 - CPG STATION)
CB20 (A77)	ATTD IND CIRCUIT BREAKER	W621	18-2	NAVIGATION INSTRUMENTS
CB201	RCCB SEEKER 1 CIRCUIT BREAKER	W157	14-1	HELLFIRE MISSILE

WIRING DIAGRAM DIRECTORY (cont)

WIRING DIAGRAM DIRECTORY (cont)

REFDES	COMPONENT	CABLE	PARAGRAPH	WIRING DIAGRAM
CB202	RCCB SEEKER 2 CIRCUIT BREAKER	W157	14-1	HELLFIRE MISSILE
CB203	RCCB SEEKER 3 CIRCUIT BREAKER	W158	14-1	HELLFIRE MISSILE
CB204	RCCB SEEKER 4 CIRCUIT BREAKER	W158	14-1	HELLFIRE MISSILE
CB21 (A76)	LT CAUT CIRCUIT BREAKER	W605	8-1	DRIVE SYSTEM
CB21 (A76)	LT CAUT CIRCUIT BREAKER	W605	9-14	CIRCUIT PROTECTION (DC EMERGENCY BUS - PILOT STATION)
CB21 (A76)	LT CAUT CIRCUIT BREAKER	W605	9-18	CAUTION AND WARNING
CB21 (A77)	MSL R INBD LCHR AC CIRCUIT BREAKER	W621	9-6	CIRCUIT PROTECTION (AC ESSENTIAL BUS 1 - CPG STATION)
CB21 (A77)	MSL R INBD LCHR AC CIRCUIT BREAKER	W621	14-1	HELLFIRE MISSILE
CB211 (A76)	ECS R NOSE GRBX HTR CIRCUIT BREAKER	W605	9-5	CIRCUIT PROTECTION (AC ESSENTIAL BUS 1 - PILOT STATION)
CB211 (A76)	ECS R NOSE GRBX HTR CIRCUIT BREAKER	W605	25-2	ENGINE ANTI-ICE
CB212 (A76)	ECS ICE DET HTR CIRCUIT BREAKER	W605	9-7	CIRCUIT PROTECTION (AC ESSENTIAL BUS 2 - PILOT STATION)
CB212 (A76)	ECS ICE DET HTR CIRCUIT BREAKER	W605	25-3	ROTOR BLADES DE-ICE
CB22 (A76)	LT SRCH/LDG CIRCUIT BREAKER	W605	9-14	CIRCUIT PROTECTION (DC ESSENTIAL Bus - PILOT STATION)
CB22 (A76)	LT SRCH/LDG CIRCUIT BREAKER	W605	9-24	LANDING/SEARCH LIGHTS
CB22 (A77)	MSL R INBD LCHR DC CIRCUIT BREAKER	W621	9-17	CIRCUIT PROTECTION (DC GROUND CIRCUIT BREAKERS - CPG STATION)

REFDES	COMPONENT	CABLE	PARAGRAPH	WIRING DIAGRAM
CB22 (A77)	MSL R INBD LCHR DC CIRCUIT BREAKER	W621	14-1	HELLFIRE MISSILE
CB23 (A76)	LT UTIL SEC CIRCUIT BREAKER	W605	9-14	CIRCUIT PROTECTION (DC ESSENTIAL BUS - PILOT STATION)
CB23 (A76)	LT UTIL SEC CIRCUIT BREAKER	W605	9-21	PILOT UTILITY AND SECONDARY LIGHTS
CB23 (A77)	MSL L INBD LCHR DC CIRCUIT BREAKER	W621	9-17	CIRCUIT PROTECTION (DC GROUND CIRCUIT BRAKERS - CPG STATION)
CB23 (A77)	MSL L INBD LCHR DC CIRCUIT BREAKER	W621	14-1	HELLFIRE MISSILE
CB24 (A76)	COMM UHF AM CIRCUIT BREAKER	W605	6-3	UHF-AM RADIO SET
CB24 (A76)	COMM UHF AM CIRCUIT BREAKER	W605	9-14	CIRCUIT PROTECTION (DC EMERGENCY BUS - PILOT STATION)
CB24 (A77)	MSL L INBD LCHR AC CIRCUIT BREAKER	W621	9-6	CIRCUIT PROTECTION (AC ESSENTIAL BUS 1 - CPG STATION)
CB24 (A77)	MSL L INBD LCHR AC CIRCUIT BREAKER	W621	14-1	HELLFIRE MISSILE
CB25 (A76)	FIRE EXTGH PLT CIRCUIT BREAKER	W605	9-14	CIRCUIT PROTECTION (DC EMERGENCY BUS - PILOT STATION)
CB25 (A76)	FIRE EXTGH PLT CIRCUIT BREAKER	W605	25-6	FIRE DETECTION AND EXTINGUISHING
CB25 (A77)	MSL L OUTBD LCHR DC CIRCUIT BREAKER	W621	9-17	CIRCUIT PROTECTION (DC GROUND CIRCUIT BREAKERS - CPG STATION)
CB25 (A77)	MSL L OUTBD LCHR DC CIRCUIT BREAKER	W621	14-1	HELLFIRE MISSILE
CB26 (A76)	FIRE EXTGH APU CIRCUIT BREAKER	W621	9-14	CIRCUIT PROTECTION (DC EMERGENCY BUS - PILOT STATION)

WIRING DIAGRAM DIRECTORY (cont)

REFDES	COMPONENT	CABLE PARAGRAPH		WIRING DIAGRAM
CB26 (A76)	FIRE EXTGH APU CIRCUIT BREAKER	W605	25-6	FIRE DETECTION AND EXTINGUISHING
CB26 (A77)	MSL L OUTBD LCHR AC CIRCUIT BREAKER	W621	9-6	CIRCUIT PROTECTION (AC ESSENTIAL BUS 1- CPG STATION)
CB26 (A77)	MSL L OUTBD LCHR AC CIRCUIT BREAKER	W621	14-1	HELLFIRE MISSILE
CB27 (A76)	COMM ICS CIRCUIT BREAKER	W605	6-1	INTERCOMMUNICATION
CB27 (A76)	COMM ICS CIRCUIT BREAKER	W605	9-14	CIRCUIT PROTECTION (DC EMERGENCY BUS - PILOT STATION)
CB27 (A77)	MSL ARM CIRCUIT BREAKER	W621	9-17	CIRCUIT PROTECTION (DC GROUND CIRCUIT BREAKERS - CPG STATION)
CB27 (A77)	MSL ARM CIRCUIT BREAKER	W621	14-1	HELLFIRE MISSILE
CB28 (A76)	ASE DC CIRCUIT BREAKER	W605	9-12	CIRCUIT PROTECTION (DC ESSENTIAL BUS 3- PILOT STATION)
CB28 (A76)	ASE DC CIRCUIT BREAKER	W605	9-28	SQUAT SWITCH
CB28 (A76)	ASE DC CIRCUIT BREAKER	W605	12-1	DASE (BUCS DEACTIVATED)
CB28 (A76)	ASE DC CIRCUIT BREAKER	W605	12-2	DASE (BUCS ACTIVATED)
CB29 (A76)	COMM IFF CIRCUIT BREAKER	W605	3-1	AERIAL ROCKET CONTROL SYSTEM (ARCS)
CB29 (A76)	COMM IFF CIRCUIT BREAKER	W605	4-1	AREA WEAPON SYSTEM (AWS)
CB29 (A76)	COMM IFF CIRCUIT BREAKER	W605	6-1	INTERCOMMUNICATION
CB29 (A76)	COMM IFF CIRCUIT BREAKER	W605	9-14	CIRCUIT PROTECTION (DC EMERGENCY BUS - PILOT STATION)

WIRING DIAGRAM DIRECTORY (cont)

REFDES	COMPONENT	CABLE PARAGRAPH		WIRING DIAGRAM
CB29 (A76)	COMM IFF CIRCUIT BREAKER	W605	9-28	SQUAT SWITCH
CB29 (A76)	COMM IFF CIRCUIT BREAKER	W605	11-1	EXTERNAL STORES CONTROL
CB29 (A76)	COMM IFF CIRCUIT BREAKER	W605	12-1	DASE (BUCS DEACTIVATED)
CB29 (A7b)	COMM IFF CIRCUIT BREAKER	W605	12-2	DASE (BUCS ACTIVATED)
CB29 (A76)	COMM IFF CIRCUIT BREAKER	W605	16-1	IFF
CB29 (A77)	EMERG BATT CAUT CIRCUIT BREAKER	W621	8-1	DRIVE SYSTEM
CB29 (A77)	EMERG BATT CAUT CIRCUIT BREAKER	W621	9-15	CIRCUIT PROTECTION (DC EMERGENCY BUS- CPG STATION)
CB29 (A77)	EMERG BATT CAUT CIRCUIT BREAKER	W621	9-18	CAUTION AND WARNING
CB3 (A402)	ARM RCCB CIRCUIT BREAKER	W668	14-1	HELLFIRE MISSILE
CB3 (A76)	STAB AUTO DC CIRCUIT BREAKER	W605	9-12	CIRCUIT PROTECTION (DC ESSENTIAL BUS 3- PILOT STATION)
CB3 (A76)	STAB AUTO DC CIRCUIT BREAKER	W605	12-4	STABILATOR
CB3 (A77)	AWS MTR CIRCUIT BREAKER	W621	4-1	AREA WEAPON SYSTEM (AWS)
CB3 (A77)	AWS MTR CIRCUIT BREAKER	W621	9-8	CIRCUIT PROTECTION (AC ESSENTIAL BUS 2- CPG STATION)
CB3 (A97)	TADS AC CIRCUIT BREAKER	W615	9-6	CIRCUIT PROTECTION (AC ESSENTIAL BUS 1- CPG STATION)
CB3 (A97)	TADS AC CIRCUIT BREAKER	W615	24-1	TADS

WIRING DIAGRAM DIRECTORY (cont)

REFDES	COMPONENT	CABLE	PARAGRAPH	WIRING DIAGRAM
CB30 (A76)	COMM KY 28 CIRCUIT BREAKER	W605	6-2	TSEC/KY-58 COMMUNICATIONS SECURITY EQUIPMENT
CB30 (A76)	COMM KY 28 CIRCUIT BREAKER	W605	9-14	CIRCUIT PROTECTION (DC EMERGENCY BUS - PILOT STATION)
CB30 (A77)	EMERG BATT UTIL SEC LT CIRCUIT BREAKER	W621	9-15	CIRCUIT PROTECTION (DC EMERGENCY BUS - CPG STATION)
CB30 (A77)	EMERG BATT UTIL SEC LT CIRCUIT BREAKER	W621	9-18	CAUTION AND WARNING
CB30 (A77)	EMERG BATT UTIL SEC LT CIRCUIT BREAKER	W261	9-20	CPG UTILITY AND SECONDARY LIGHTS
CB31 (A76)	RDR ALT CIRCUIT BREAKER	W605	9-14	CIRCUIT PROTECTION (DC EMERGENCY BUS - PILOT STATION)
CB31 (A76)	RDR ALT CIRCUIT BREAKER	W605	20-5	RADAR ALTIMETER (RADALT) SET
CB31 (A77)	EMERG BATT ENG INST CIRCUIT BREAKER	W621	9-15	CIRCUIT PROTECTION (DC EMERGENCY BUS - CPG STATION)
CB31 (A77)	EMERG BATT ENG INST CIRCUIT BREAKER	W621	18-1	ENGINE INSTRUMENTS
CB32 (A76)	FUEL FILL CIRCUIT BREAKER	W605	9-14	CIRCUIT PROTECTION (DC EMERGENCY BUS - PILOT STATION)
CB32 (A76)	FUEL FILL CIRCUIT BREAKER	W605	13-4	PRESSURE REFUELING/DEFUELING
CB32 (A77)	EMERG BATT VHF AM/FM CIRCUIT BREAKER	W621	6-4	VHF AM-FM RADIO SET AN/ARC-186 (ADH)
CB32 (A77)	EMERG BATT VHF AM/FM CIRCUIT BREAKER	W621	6-5	VHF AM-FM RADIO SET AN/ARC-186 AND AN/ARG-201.A (ADI)
CB32 (A77)	EMERG BATT VHF AM/FM CIRCUIT BREAKER	W621	9-15	CIRCUIT PROTECTION (DC EMERGENCY BUS - CPG STATION)
CB34 (A76)	JETT CIRCUIT BREAKER	W605	9-14	CIRCUIT PROTECTION (DC EMERGENCY BUS - PILOT STATION)

WIRING DIAGRAM DIRECTORY (cont)

REFDES	COMPONENT	CABLE	PARAGRAPH	WIRING DIAGRAM
CB34 (A76)	JETT CIRCUIT BREAKER	W605	11-2	EXTERNAL STORES JETTISON
CB35 (A761)	EMERG HYD CIRCUIT BREAKER	W605	9-14	CIRCUIT PROTECTION (DC EMERGENCY BUS - PILOT STATION)
CB35 (A76)	EMERG HYD CIRCUIT BREAKER	W605	15-1	HYDRAULIC
CB36 (A76)	PITOT HTR CIRCUIT BREAKER	W605	9-14	CIRCUIT PROTECTION (DC EMERGENCY BUS - PILOT STATION)
CB36 (A76)	PITOT HTR CIRCUIT BREAKER	W605	25-4	PITOT ANTI-ICE
CB37 (A76)	RTR BRK CIRCUIT BREAKER	W605	9-14	CIRCUIT PROTECTION (DC EMERGENCY BUS - PILOT STATION)
CB37 (A76)	RTR BRK CIRCUIT BREAKER	W605	15-1	HYDRAULIC
CB38 (A76)	ECS L NOSE GRBX HTR CIRCUIT BREAKER	W605	9-5	CIRCUIT PROTECTION (AC ESSENTIAL BUS 1-1 PILOT STATION)
CB38 (A76)	ECS L NOSE GRBX HTR CIRCUIT BREAKER	W605	25-2	ENGINE ANTI-ICE
CB39 (A76)	LT PRI CIRCUIT BREAKER	W605	9-5	CIRCUIT PROTECTION (AC ESSENTIAL BUS 1-1 PILOT STATION)
CB39 (A76)	LT PRI CIRCUIT BREAKER	W605	9-19	EDGE LIGHTS
CB4 (A76)	POWER XFMR RECT2 CIRCUIT BREAKER	W605	9-2	DC ELECTRICAL POWER GENERATION
CB4 (A76)	POWER XFMR RECT 2 CIRCUIT BREAKER	W605	9-7	CIRCUIT PROTECTION (AC ESSENTIAL BUS 2- PILOT STATION)
CB4 (A77)	FC FCC DC CIRCUIT BREAKER	W621	9-13	CIRCUIT PROTECTION (DC ESSENTIAL BUS 3- CPG STATION)

WIRING DIAGRAM DIRECTORY (cont)

REFDES	COMPONENT	CABLE	PARAGRAPH	WIRING DIAGRAM
CB4 (A77)	FC FCC DC CIRCUIT BREAKER	W621	19-1	MULTIPLEX
CB4 (A97)	LASER CIRCUIT BREAKER	W615	9-4	CIRCUIT PROTECTION (AC ESSENTIAL BUS 1-CPG STATION)
CB4 (A97)	LASER CIRCUIT BREAKER	W615	24-1	TADS
CB40 (A76)	LT ANTI COL CIRCUIT BREAKER	W605	9-5	CIRCUIT PROTECTION (AC ESSENTIAL BUS 1-PILOT STATION)
CB40 (A76)	LT ANTI COL CIRCUIT BREAKER	W605	9-22	ANTI-COLLISION LIGHTS
CB41 (A76)	MISSION IHADSS CIRCUIT BREAKER	W605	9-5	CIRCUIT PROTECTION (AC ESSENTIAL BUS 1-PILOT STATION)
CB41 (A76)	MISSION IHADSS CIRCUIT BREAKER	W605	17-1	IHADSS
CB42 (A76)	NAV HARS AC CIRCUIT BREAKER	W605	9-5	CIRCUIT PROTECTION (AC ESSENTIAL BUS 1-PILOT STATION)
CB42 (A76)	NAV HARS AC CIRCUIT BREAKER	W605	20-4	HARS
CB42 (A76)	NAV HARS AC CIRCUIT BREAKER	W605	20-6	AUTOMATIC DIRECTION FINDER (ADF) AN/ARN-149
CB43 (A76)	NAV HSI CIRCUIT BREAKER	W605	9-5	CIRCUIT PROTECTION (AC ESSENTIAL BUS 1-PILOT STATION)
CB43 (A76)	NAV HSI CIRCUIT BREAKER	W605	18-2	NAVIGATION INSTRUMENTS
CB44 (A76)	POWER ENG 2 CIRCUIT BREAKER	W605	9-7	CIRCUIT PROTECTION (AC ESSENTIAL BUS 2-PILOT STATION)
CB44 (A76)	POWER ENG 2 CIRCUIT BREAKER	W605	23-1	POWER PLANTS
CB45 (A76)	MISSION SYM GEN CIRCUIT BREAKER	W605	9-5	CIRCUIT PROTECTION (AC ESSENTIAL BUS 1-PILOT STATION)

WIRING DIAGRAM DIRECTORY (cont)

REFDES	COMPONENT	CABLE	PARAGRAPH	WIRING DIAGRAM
CB45 (A76)	MISSION SYM GEN CIRCUIT BREAKER	W605	26-1	SYMBOL GENERATOR
CB46 (A76)	MISSION ARM CONTR CIRCUIT BREAKER	W605	4-1	AREA WEAPON SYSTEM (AWS)
CB46 (A76)	MISSION ARM CONTR CIRCUIT BREAKER	W605	9-11	CIRCUIT PROTECTION (DC ESSENTIAL BUS 1-PILOT STATION)
CB46 (A76)	MISSION ARM CONTR CIRCUIT BREAKER	W605	11-1	EXTERNAL STORES CONTROL
CB47 (A76)	MISSION RKT ELEX CIRCUIT BREAKER	W605	3-1	AERIAL ROCKET CONTROL SYSTEM (ARCS)
CB47 (A76)	MISSION RKT ELEX CIRCUIT BREAKER	W605	9-12	CIRCUIT PROTECTION (DC ESSENTIAL BUS 3-PILOT STATION)
CB48 (A76)	CHAFF CIRCUIT BREAKER	W605	7-1	CHAFF DISPENSER
CB48 (A76)	CHAFF CIRCUIT BREAKER	W605	9-14	CIRCUIT PROTECTION (DC EMERGENCY BUS -PILOT STATION)
CB49 (A76)	MISSION PEN AIDS CONTR CIRCUIT BREAKER	W605	9-11	CIRCUIT PROTECTION (DC ESSENTIAL BUS 1-PILOT STATION)
CB49 (A76)	MISSION PEN AIDS CONTR CIRCUIT BREAKER	W605	21-1	IR JAMMER AN/ALQ-144
CB49 (A76)	MISSION PEN AIDS CONTR CIRCUIT BREAKER	W605	21-2	RADAR JAMMER AN/ALQ-136
CB5 (A76)	POWER BATT CHGR DC CIRCUIT BREAKER PANEL	W605	9-4	BATTERY AND BATTERY CHARGER
CB5 (A76)	POWER BATT CHGR DC CIRCUIT BREAKER	W605	9-9	CIRCUIT PROTECTION (DC ESSENTIAL BUS 1-PILOT STATION)
CB5 (A77)	MUX R PYL INBD CIRCUIT BREAKER	W621	9-13	CIRCUIT PROTECTION (DC ESSENTIAL BUS 3-CPG STATION)

WIRING DIAGRAM DIRECTORY (cont)

REFDES	COMPONENT	CABLE PARAGRAPH		WIRING DIAGRAM
CB5 (A77)	MUX R PYL INBD CIRCUIT BREAKER	W621	19-1	MULTIPLEX
CB5 (A97)	CBR BLWR CIRCUIT BREAKER	W615	9-10	CIRCUIT PROTECTION (DC ESSENTIAL BUS 1- CPG STATION)
CB5 (A97)	CBR BLWR CIRCUIT BREAKER	W615	10-1	ENVIRONMENTAL CONTROL SYSTEM (ECS)
CB50 (A76)	MISSION FC DC CIRCUIT BREAKER	W605	3-1	AERIAL ROCKET CONTROL SYSTEM (ARCS)
CB50 (A76)	MISSION FC DC CIRCUIT BREAKER	W605	4-1	AREA WEAPON SYSTEM (AWS)
CB50 (A76)	MISSION FC DC CIRCUIT BREAKER	W605	9-12	CIRCUIT PROTECTION (DC ESSENTIAL BUS 3 - PILOT STATION)
CB50 (A76)	MISSION FC DC CIRCUIT BREAKER	W605	9-28	SQUAT SWITCH
CB50 (A76)	MISSION FC DC CIRCUIT BREAKER	W605	11-1	EXTERNAL STORES CONTROL
CB50 (A76)	MISSION FC DC CIRCUIT BREAKER	W605	14-1	HELLFIRE MISSILE
CB50 (A76)	MISSION FC DC CIRCUIT BREAKER	W605	17-1	IHADSS
CB50 (A76)	MISSION FC DC CIRCUIT BREAKER	W605	26-1	SYMBOL GENERATOR
CB51 (A76)	MISSION FC AC CIRCUIT BREAKER	W605	9-5	CIRCUIT PROTECTION (AC ESSENTIAL BUS 1- PILOT STATION)
CB51 (A76)	MISSION FC AC CIRCUIT BREAKER	W605	19-1	MULTIPLEX
CB52 (A76)	ENG WARN CIRCUIT BREAKER	W605	9-14	CIRCUIT PROTECTION (DC EMERGENCY BUS - PILOT STATION)
CB52 (A76)	ENG WARN CIRCUIT BREAKER	W605	9-27	AUDIO WARNING
CB52 (A76)	ENG WARN CIRCUIT BREAKER	W605	12-4	STABILATOR

WIRING DIAGRAM DIRECTORY (cont)

REFDES	COMPONENT	CABLE PARAGRAPH		WIRING DIAGRAM
CB53 (A76)	RDR WARN CIRCUIT BREAKER	W605	9-14	CIRCUIT PROTECTION (DC EMERGENCY BUS - PILOT STATION)
CB53 (A76)	RDR WARN CIRCUIT BREAKER	W605	21-3	RADAR WARNING SET AN/APR-39(V)1 (ADN) and AN/APR-39A(V)1 (ADO)
CB53 (A76)	RDR WARN CIRCUIT BREAKER	W605	21-4	LASER DETECTING SET AN/AVR-2A(V)1 (ADP)
CB54 (A76)	NAV HARS DC CIRCUIT BREAKER	W605	9-12	CIRCUIT PROTECTION (DC ESSENTIAL BUS 3 - PILOT STATION)
CB54 (A76)	NAV HARS DC CIRCUIT BREAKER	W605	20-4	HARS
CB55 (A76)	FUEL XFEED CIRCUIT BREAKER	W605	9-14	CIRCUIT PROTECTION (DC EMERGENCY BUS - PILOT STATION)
CB55 (A76)	FUEL XFEED CIRCUIT BREAKER	W605	13-2	FUEL CROSSFEED/BOOST
CB56 (A76)	FUEL TRANS CIRCUIT BREAKER	W605	13-1	AUXILIARY FUEL
CB56 (A76)	FUEL TRANS CIRCUIT BREAKER	W605	9-11	CIRCUIT PROTECTION (DC ESSENTIAL BUS 3 - PILOT STATION)
CB56 (A76)	FUEL TRANS CIRCUIT BREAKER	W605	13-3	FUEL QUANTITY INDICATION/TRANSFER
CB57 (A76)	FUEL BST CIRCUIT BREAKER	W605	5-1	AUXILIARY POWER UNIT (APU)
CB57 (A76)	FUEL BST CIRCUIT BREAKER	W605	9-11	CIRCUIT PROTECTION (DC ESSENTIAL BUS 1- PILOT STATION)
CB57 (A76)	FUEL BST CIRCUIT BREAKER	W605	13-2	FUEL CROSSFEED/BOOST
CB57 (A76)	FUEL BST CIRCUIT BREAKER	W605	15-2	PRESSURIZED AIR SYSTEM (PAS)
CB58 (A76)	ENG START CIRCUIT BREAKER	W605	8-1	DRIVE SYSTEM
CB58 (A76)	ENG START CIRCUIT BREAKER	W605	9-14	CIRCUIT PROTECTION (DC EMERGENCY BUS - PILOT STATION)

WIRING DIAGRAM DIRECTORY (cont)

REFDES	COMPONENT	CABLE	PARAGRAPH	WIRING DIAGRAM
CB58 (A76)	ENG START CIRCUIT BREAKER	W605	23-1	POWER PLANTS
CB59 (A76)	TWHL LOCK CIRCUIT BREAKER	W605	9-11	CIRCUIT PROTECTION (DC ESSENTIAL BUS 1-PILOT STATION)
CB59 (A76)	TWHL LOCK CIRCUIT BREAKER	W605	15-1	HYDRAULIC
CB6 (A3)	AC ELEC UTIL PWR CIRCUIT BREAKER	W118	9-3	EXTERNAL POWER AND GROUND SERVICE UTILITY CONNECTOR
CB6 (A3)	AC ELEC UTIL PWR CIRCUIT BREAKER	W118	13-5	NITROGEN INERTING
CB6 (A76)	STAB MAN DC CIRCUIT BREAKER	W605	9-9	CIRCUIT PROTECTION (DC ESSENTIAL BUS 1-PILOT STATION)
CB6 (A76)	STAB MAN DC CIRCUIT BREAKER	W605	12-4	STABILATOR
CB6 (A77)	MUX R PYL OUTBD CIRCUIT BREAKER	W621	9-13	CIRCUIT PROTECTION (DC ESSENTIAL BUS 3 - CPG STATION)
CB6 (A77)	MUX R PYL OUTBD CIRCUIT BREAKER	W621	19-1	MULTIPLEX
CB6 (A97)	CDU CIRCUIT BREAKER	W615	9-13	CIRCUIT PROTECTION (DC ESSENTIAL BUS 3 - CPG STATION)
CB6 (A97)	CDU CIRCUIT BREAKER	W615	20-3	DOPPLER NAVIGATION AN/ASN-137 (ADC)
CB6 (A97)	CDU CIRCUIT BREAKER	W615	20-3A	DOPPLER NAVIGATION AN/ASN-137 (ADD)
CB6 (A97)	CDU CIRCUIT BREAKER	W615	20-7	DATA TRANSFER UNIT (ADD)
CB6 (A97)	CDU CIRCUIT BREAKER	W615	20-8	EGI (ADD)
CB60 (A76)	ENG CUT CIRCUIT BREAKER	W605	8-1	DRIVE SYSTEM
CB60 (A76)	ENG CUT CIRCUIT BREAKER	W605	9-14	CIRCUIT PROTECTION (DC EMERGENCY BUS - PILOT STATION)
CB60 (A76)	ENG CUT CIRCUIT BREAKER	W605	23-1	POWER PLANTS

WIRING DIAGRAM DIRECTORY (cont)

REFDES	COMPONENT	CABLE	PARAGRAPH	WIRING DIAGRAM
CB61 (A76)	MISSION PNVS DC CIRCUIT BREAKER	W605	9-12	CIRCUIT PROTECTION (DC ESSENTIAL BUS 3 - PILOT STATION)
CB61 (A76)	MISSION PNVS DC CIRCUIT BREAKER	W605	22-1	PNVS
CB62 (A76)	POWER ENG 1 CIRCUIT BREAKER	W605	9-5	CIRCUIT PROTECTION (AC ESSENTIAL BUS 1-PILOT STATION)
CB62 (A76)	POWER ENG 1 CIRCUIT BREAKER	W605	23-1	POWER PLANTS
CB63 (A76)	IR JAM PWR CIRCUIT BREAKER	W605	9-16	CIRCUIT PROTECTION (DC GROUND CIRCUIT BREAKERS - PILOT STATION)
CB63 (A76)	IR JAM PWR CIRCUIT BREAKER	W605	21-1	IR JAMMER AN/ALQ-144
CB64 (A76)	COMM VHF FM CIRCUIT BREAKER	W605	6-4	VHF AM-FM RADIO SET AN/ARC-186 (ADH)
CB64 (A76)	COMM VHF FM CIRCUIT BREAKER	W605	6-5	VHF AM-FM RADIO SET AN/ARC-186 AND AN/ARC-201A (ADI)
CB64 (A76)	COMM VHF FM CIRCUIT BREAKER	W605	9-14	CIRCUIT PROTECTION (DC EMERGENCY BUS - PILOT STATION)
CB65 (A76)	COMM ADF CIRCUIT BREAKER	W605	9-14	CIRCUIT PROTECTION (DC EMERGENCY BUS - PILOT STATION)
CB65 (A76)	COMM ADF CIRCUIT BREAKER	W605	20-1	AUTOMATIC DIRECTION FINDER (ADF) AN/ARN-89
CB65 (A76)	COMM ADF CIRCUIT BREAKER	W605	20-6	AUTOMATIC DIRECTION FINDER (ADF) AN/ARN-149
CB66 (A76)	IR JAMXMTR CIRCUIT BREAKER	W605	9-11	CIRCUIT PROTECTION (DC ESSENTIAL BUS 1-PILOT STATION)
CB66 (A76)	IR JAM XMTR CIRCUIT BREAKER	W605	21-1	IR JAMMER AN/ALQ-144
CB67 (A76)	ECS ENG ANTI-ICE CIRCUIT BREAKER	W605	9-9	CIRCUIT PROTECTION (DC ESSENTIAL BUS 1-PILOT STATION)
CB67 (A76)	ECS ENG ANTI-ICE CIRCUIT BREAKER	W605	25-2	ENGINE ANTI-ICE

WIRING DIAGRAM DIRECTORY (cont)

WIRING DIAGRAM DIRECTORY (cont)

REFDES	COMPONENT	CABLE	PARAGRAPH	WIRING DIAGRAM
CB68 (A76)	ECS ICE DET CIRCUIT BREAKER	W605	9-12	CIRCUIT PROTECTION (DC ESSENTIAL BUS 3-PILOT STATION)
CB68 (A76)	ECS ICE DET CIRCUIT BREAKER	W605	25-3	ROTOR BLADES DE-ICE
CB69 (A76)	NAV AIR DATA DC CIRCUIT BREAKER	W605	2-1	AIR DATA SYSTEM (ADS)
CB69 (A76)	NAV AIR DATA DC CIRCUIT BREAKER	W605	9-12	CIRCUIT PROTECTION (DC ESSENTIAL BUS 3-PILOT STATION)
CB69 (A76)	NAV AIR DATA DC CIRCUIT BREAKER	W605	25-4	PITOT ANTI-ICE
CB7 (A3)	DC ELEC UTIL PWR CIRCUIT BREAKER	W118	9-3	EXTERNAL POWER AND GROUND SERVICE UTILITY CONNECTOR
CB7 (A76)	STAB MAN AC CIRCUIT BREAKER	W605	9-5	CIRCUIT PROTECTION (AC ESSENTIAL BUS 1-PILOT STATION)
CB7 (A76)	STAB MAN AC CIRCUIT BREAKER	W605	12-4	STABILATOR
CB7 (A77)	AWS AMMO CIRCUIT BREAKER	W621	4-1	AREA WEAPON SYSTEM (AWS)
CB7 (A77)	AWS AMMO CIRCUIT BREAKER	W621	9-8	CIRCUIT PROTECTION (AC ESSENTIAL BUS 2. CPG STATION)
CB70 (A76)	ECS CANOPY ANTI-ICE CONTR CIRCUIT BREAKER	W605	9-9	CIRCUIT PROTECTION (DC ESSENTIAL BUS 1-PILOT STATION)
CB70 (A76)	ECS CANOPY ANTI-ICE CONTR CIRCUIT BREAKER	W605	9-28	SQUAT SWITCH
CB70 (A76)	ECS CANOPY ANTI-ICE CONTR CIRCUIT BREAKER	W605	25-7	TADS/PNVS ANTI-ICE CONTROLS
CB71 (A76)	ECS WSHLD WPR CIRCUIT BREAKER	W605	9-9	CIRCUIT PROTECTION (DC ESSENTIAL BUS 1 - PILOT STATION)

REFDES	COMPONENT	CABLE	PARAGRAPH	WIRING DIAGRAM
CB71 (A76)	ECS WSHLD WPR CIRCUIT BREAKER	W605	25-5	WINDSHIELD WIPERS
CB72 (A76)	MISSION RDR JAM DC CIRCUIT BREAKER	W605	9-16	CIRCUIT PROTECTION (DC GROUND CIRCUIT BREAKERS - PILOT STATION)
CB72 (A76)	MISSION RDR JAM DC CIRCUIT BREAKER	W605	21-2	RADAR JAMMER AN/ALQ-136
CB73 (A76)	LT NAV CIRCUIT BREAKER	W605	9-11	CIRCUIT PROTECTION (DC ESSENTIAL BUS 1 - PILOT STATION)
CB73 (A76)	LT NAV CIRCUIT BREAKER	W605	9-22	ANTI-COLLISION LIGHTS
CB73 (A76)	LT NAV CIRCUIT BREAKER	W605	9-25	NAVIGATION LIGHTS
CB74 (A76)	MISSION RDR JAM AC CIRCUIT BREAKER	W605	9-5	CIRCUIT PROTECTION (AC ESSENTIAL BUS 1-PILOT STATION)
CB74 (A76)	MISSION RDR JAM AC CIRCUIT BREAKER	W605	21-2	RADAR JAMMER AN/ALQ-136
CB75 (A76)	ECS AFT FAN CIRCUIT BREAKER	W605	9-7	CIRCUIT PROTECTION (AC ESSENTIAL BUS 2-PILOT STATION)
CB75 (A76)	ECS AFT FMN CIRCUIT BREAKER	W605	10-1	ENVIRONMENTAL CONTROL SYSTEM (ECS)
CB76 (A76)	ESC CAB CIRCUIT BREAKER	W605	9-14	CIRCUIT PROTECTION (DC EMERGENCY BUS - PILOT STATION)
CB76 (A76)	ECS CAB CIRCUIT BREAKER	W605	10-1	ENVIRONMENTAL CONTROL SYSTEM (ECS)
CB77 (A76)	ASE BUCS CIRCUIT BREAKER	W605	9-12	CIRCUIT PROTECTION (DC ESSENTIAL Bus 3 - PILOT STATION)
CB77 (A76)	ASE BUCS CIRCUIT BREAKER	W605	12-1	DASE (BUCS DEACTIVATED)

WIRING DIAGRAM DIRECTORY

REFDES	COMPONENT	CABLE	PARA	WIRING DIAGRAM
CB77 (A76)	ASE BUCS CIRCUIT BREAKER	W605	12-2	DASE (BUCS ACTIVATED)
CB78 (A76)	ECS CANOPY ANTI-ICE CIRCUIT BREAKER	W605	9-7	CIRCUIT PROTECTION (AC ESSENTIAL BUS 2 - PILOT STATION)
CB79 (A76)	VIB MON CIRCUIT BREAKER	W605	9-11	CIRCUIT PROTECTION (DC ESSENTIAL BUS 1 - PILOT STATION)
CB79 (A76)	VIB MON CIRCUIT BREAKER	W605	9-18	CAUTION AND WARNING
CB8	MAINTENANCE LT CIRCUIT BREAKER	W108	9-4	BATTERY AND BATTERY CHARGER
CB8	MAINTENANCE LTCIRCUIT BREAKER	W108	9-26	MAINTENANCE LIGHTS
CB8	MAINTENANCE LT CIRCUIT BREAKER	W108	22-1	PNVS
CB8 (A76)	THROT CIRCUIT BREAKER	W605	9-14	CIRCUIT PROTECTION (DC EMERGENCY BUS - PILOT STATION)
CB8 (A76)	THROT CIRCUIT BREAKER	W605	23-1	POWER PLANTS
CB8 (A77)	FC RC DR CIRCUIT BREAKER	W621	9-8	CIRCUIT PROTECTION (AC ESSENTIAL BUS 2 - CPG STATION)
CB8 (A77)	FC RC DR CIRCUIT BREAKER	W621	26-2	VIDEO DISPLAY UNIT (VDU) AND VIDEO RECORDER
CB80 (A76)	LT SRCH/LDG CONTR CIRCUIT BREAKER	W605	9-14	CIRCUIT PROTECTION (DC EMERGENCY BUS - PILOT STATION)
CB80 (A76)	LT SRCH/LDG CONTR CIRCUIT BREAKER	W605	9-24	LANDING/SEARCH LIGHTS
CB81 (A76)	MISSION PNVS AC CIRCUIT BREAKER	W605	9-5	CIRCUIT PROTECTION (AC ESSENTIAL BUS 1 - PILOT STATION)

WIRING DIAGRAM DIRECTORY

REFDES	COMPONENT	CABLE	PARA	WIRING DIAGRAM
CB81 (A76)	MISSION PNVS AC CIRCUIT BREAKER	W605	22-1	PNVS
CB82 (A76)	NAV DPLR CIRCUIT BREAKER	W605	9-12	CIRCUIT PROTECTION (DC ESSENTIAL BUS 3 - PILOT STATION)
CB82 (A76)	NAV DPLR CIRCUIT BREAKER	W605	20-2	DOPPLER NAVIGATION AN/ASN-128
CB82 (A76)	NAV DPLR CIRCUIT BREAKER	W605	20-3	DOPPLER NAVIGATION AN/ASN-137 (ADC)
CB82 (A76)	NAV DPLR CIRCUIT BREAKER	W605	203A	DOPPLER NAVIGATION AN/ASN-137 (ADD)
CB83 (A76)	ECS BLADE DE-ICE CONTR CIRCUIT BREAKER	W605	9-12	CIRCUIT PROTECTION (DC ESSENTIAL BUS 3 - PILOT STATION)
CB83 (A76)	ECS BLADE DE-ICE CONTR CIRCUIT BREAKER	W605	25-3	ROTOR BLADES DE-ICE
CB84 (A76)	NAV AIR DATA AC CIRCUIT BREAKER	W605	2-1	AIR DATA SYSTEM (ADS)
CB84 (A76)	NAV AIR DATA AC CIRCUIT BREAKER	W605	-5	CIRCUIT PROTECTION (AC ESSENTIAL BUS 1 - PILOT STATION)
CB85 (A76)	ECS BLADE DE-ICE CIRCUIT BREAKER	W605	9-12	CIRCUIT PROTECTION (DC ESSENTIAL BUS 3 - PILOT STATION)
CB85 (A76)	ECS BLADE DE-ICE CIRCUIT BREAKER	W605	253	ROTOR BLADES DE-ICE
CB86 (A76)	POWER BATT CHGR AC CIRCUIT BREAKER	W605	9-4	BATTERY AND BATTERY CHARGER
CB86 (A76)	POWER BATT CHGR AC CIRCUIT BREAKER	W605	-7	CIRCUIT PROTECTION (AC ESSENTIAL BUS 2 - PILOT STATION)
CB87 (A76)	TRIM CIRCUIT BREAKER	W605	9-14	CIRCUIT PROTECTION (DC EMERGENCY BUS - PILOT STATION)
CB87 (A76)	TRIM CIRCUIT BREAKER	W605	12-3	FORCE TRIM

WIRING DIAGRAM DIRECTORY (cont)

REFDES	COMPONENT	CABLE	PARAGRAPH	WIRING DIAGRAM
CB87 (A76)	TRIM CIRCUIT BREAKER49	W605	20-4	HARS
CB88 (A76)	ECS FAB FANS CIRCUIT BREAKER	W605	9-7	CIRCUIT PROTECTION (AC ESSENTIAL BUS 2 - PILOT STATION)
CB88 (A76)	ECS FAB FANS CIRCUIT BREAKER	W605	10-1	ENVIRONMENTAL CONTROL SYSTEM (ECS)
CB89 (A76)	MISSION JETT CIRCUIT BREAKER	W605	9-11	CIRCUIT PROTECTION (DC ESSENTIAL BUS 1- PILOT STATION)
CB89 (A76)	MISSION JETT CIRCUIT BREAKER	W605	11-2	EXTERNAL STORES JETTISON
CB9 (A76)	FUEL APU CIRCUIT BREAKER	W605	5-1	AUXILIARY POWER UNIT (APU)
CB9 (A76)	FUEL APU CIRCUIT BREAKER	W605	9-14	CIRCUIT PROTECTION (DC EMERGENCY BUS - PILOT STATION)
CB9 (A77)	MUX FAB R CIRCUIT BREAKER	W621	9-13	CIRCUIT PROTECTION (DC ESSENTIAL BUS 3 - CPG STATION)
CB9 (A77)	MUX FAB R CIRCUIT BREAKER	W621	19-1	MULTIPLEX
CB90 (A76)	LT FORM CIRCUIT BREAKER	W605	9-5	CIRCUIT PROTECTION (AC ESSENTIAL BUS 1- PILOT STATION)
CB90 (A76)	LT FORM CIRCUIT BREAKER	W605	9-23	FORMATION LIGHTS
CB91 (A76)	NAV VDU CIRCUIT BREAKER	W605	9-11	CIRCUIT PROTECTION (DC ESSENTIAL BUS 1- PILOT STATION)
CB91 (A76)	NAV VDU CIRCUIT BREAKER	W605	26-2	VIDEO DISPLAY UNIT (VDU) AND VIDEO RECORDER
CB92 (A76)	MISSION EL AC CIRCUIT BREAKER	W605	9-5	CIRCUIT PROTECTION (AC ESSENTIAL BUS 1- PILOT STATION)
CB92 (A76)	MISSION EL AC CIRCUIT BREAKER	W605	11-1	EXTERNAL STORES CONTROL
CB93 (A76)	MISSION EL DC CIRCUIT BREAKER	W605	3-1	AERIAL ROCKET CONTROL SYSTEM (ARCS)
CB93 (A76)	MISSION EL DC CIRCUIT BREAKER	W605	4-1	AREA WEAPON SYSTEM (AWS)

WIRING DIAGRAM DIRECTORY (cont)

REFDES	COMPONENT	CABLE	PARAGRAPH	WIRING DIAGRAM
CB93 (A76)	MISSION EL DC CIRCUIT BREAKER	W605	9-12	CIRCUIT PROTECTION (DC ESSENTIAL BUS 3 - PILOT STATION)
CB93 (A76)	MISSION EL DC CIRCUIT BREAKER	W605	9-28	SQUAT SWITCH
CB94 (A3)	NITROGEN INERT CIRCUIT BREAKER	W118	9-3	EXTERNAL POWER AND GROUND SERVICE UTILITY CONNECTOR
CB94 (A3)	NITROGEN INERT CIRCUIT BREAKER	W118	13-5	NITROGEN INERTING
CB94 (A76)	CBR BLWR CIRCUIT BREAKER	W605	9-9	CIRCUIT PROTECTION (DC ESSENTIAL BUS 1- PILOT STATION)
CB94 (A76)	CBR BLWR CIRCUIT BREAKER	W605	10-1	ENVIRONMENTAL CONTROL SYSTEM (ECS)
CB95 (A149)	CIRCUIT BREAKER	W605	20-6	AUTOMATIC DIRECTION FINDER (ADF) AN/ARN-149
CB96 (A76)	CIRCUIT BREAKER	W605	21-4	LASER DETECTING SET AN/AVR-2A(V)1 (ADP)
CB97 (A76)	CIRCUIT BREAKER	W605	20-8	EGI (ADD)
CB98 (A76)	CIRCUIT BREAKER	W605	20-7	DATA TRANSFER UNIT (ADD)
CR1 (A1 A131)	DIODE	W612	13-2	FUEL CROSSFEED/BOOST
CR1 (A1 A133)	DIODE	W625	9-25	NAVIGATION LIGHTS
CR1 (A1 A181)	DIODE	W619	9-19	EDGE LIGHTS
CR1 (A138)	DIODE	W616	5-1	AUXILIARY POWER UNIT (APU)
CR1 (A402)	DIODE	W668	9-2	DC ELECTRICAL POWER GENERATION
CR1 (DS11)	DIODE		9-24	LANDING/SEARCH LIGHTS
CR1 (K6)	DIODE		9-4	BATTERY AND BATTERY CHARGER

WIRING DIAGRAM DIRECTORY (cont)

REFDES	COMPONENT	CABLE	PARAGRAPH	WIRING DIAGRAM
CR10 (A1 A110)	DIODE	W627	6-3	UHF-AM RADIO SET
CR10 (A1 A110)	DIODE	W627	6-4	VHF AM-FM RADIO SET AN/ARC-186 (ADH)
CR10 (A1 A110)	DIODE	W627	6-5	VHF AM-FM RADIO SET AN/ARC-186 AND AN/ARC-201A (ADI)
CR10 (A1 A131)	DIODE	W612	13-2	FUEL CROSSFEED/BOOST
CR11 (A1 A110)	DIODE	W627	6-3	UHF-AM RADIO SET
CR11 (A1 A110)	DIODE	W627	6-4	VHF AM-FM RADIO SET AN/ARC-186 (ADH)
CR11 (A1 A110)	DIODE	W627	6-5	VHF AM-FM RADIO SET AN/ARC-186 AND AN/ARC-201A (ADI)
CR11 (A1 A131)	DIODE	W612	13-2	FUEL CROSSFEED/BOOST
CR12 (A1 A110)	DIODE	W627	6-3	UHF-AM RADIO SET
CR12 (A1 A110)	DIODE	W627	6-4	VHF AM-FM RADIO SET AN/ARC-186 (ADH)
CR12 (A1 A110)	DIODE	W627	6-5	VHF AM-FM RADIO SET AN/ARC-186 AND AN/ARC-201A (ADI)
CR12 (A1 A131)	DIODE	W612	13-2	FUEL CROSSFEED/BOOST
CR13 (A1 A110)	DIODE	W627	6-3	UHF-AM RADIO SET
CR13 (A1 A110)	DIODE	W627	6-4	VHF AM-FM RADIO SET AN/ARC-186 (ADH)
CR13 (A1 A110)	DIODE	W627	6-5	VHF AM-FM RADIO SET AN/ARC-186 AND AN/ARC-201A (ADI)
CR13 (A1 A131)	DIODE	W612	13-2	FUEL CROSSFEED/BOOST

WIRING DIAGRAM DIRECTORY (cont)

REFDES	COMPONENT	CABLE	PARAGRAPH	WIRING DIAGRAM
CR14 (A1 A110)	DIODE	W627	6-3	UHF-AM RADIO SET
CR14 (A1 A110)	DIODE	W627	6-4	VHF AM-FM RADIO SET AN/ARC-186 (ADH)
CR14 (A1 A110)	DIODE	W627	6-5	VHF AM-FM RADIO SET AN/ARC-186 AND AN/ARC-201A (ADI)
CR14 (A1 A131)	DIODE	W612	13-2	FUEL CROSSFEED/BOOST
CR15 (A1 A110)	DIODE	W627	6-3	UHF-AM RADIO SET
CR15 (A1 A110)	DIODE	W627	6-4	VHF AM-FM RADIO SET AN/ARC-186 (ADH)
CR15 (A1 A110)	DIODE	W627	6-5	VHF AM-FM RADIO SET AN/ARC-186 AND AN/ARC-201A (ADI)
CR15 (A1 A131)	DIODE	W612	13-2	FUEL CROSSFEED/BOOST
CR16 (A1 A110)	DIODE	W627	6-4	VHF AM-FM RADIO SET AN/ARC-186 (ADH)
CR16 (A1 A110)	DIODE	W627	6-5	VHF AM-FM RADIO SET AN/ARC-186 AND AN/ARC-201A (ADI)
CR16 (A1 A131)	DIODE	W612	13-2	FUEL CROSSFEED/BOOST
CR17 (A1 A110)	DIODE	W627	6-1	INTERCOMMUNICATION
CR17 (A1 A110)	DIODE	W627	6-3	UHF-AM RADIO SET
CR17 (A1 A110)	DIODE	W627	6-4	VHF AM-FM RADIO SET AN/ARC-186 (ADH)
CR17 (A1 A110)	DIODE	W627	6-5	VHF AM-FM RADIO SET AN/ARC-186 AND AN/ARC-201A (ADI)
CR18 (A1 A131)	DIODE	W612	13-3	FUEL QUANTITY INDICATION/TRANSFER

WIRING DIAGRAM DIRECTORY (cont)

REFDES	COMPONENT	CABLE	PARAGRAPH	WIRING DIAGRAM
CR19 (A1 A131)	DIODE	W612	13-3	FUEL QUANTITY INDICATION/TRANSFER
CR2 (A1 A131)	DIODE	W612	13-2	FUEL CROSSFEED/BOOST
CR2 (A1 A133)	DIODE	W625	9-25	NAVIGATION LIGHTS
CR2 (A138)	DIODE	W616	5-1	AUXILIARY POWERUNIT (APU)
CR2 (A1 A181)	DIODE	W619	5-1	AUXILIARY POWER UNIT (APU)
CR2 (A1 A181)	DIODE	W619	9-19	EDGE LIGHTS
CR2 (A402)	DIODE	W668	9-2	DC ELECTRICAL POWER GENERATION
CR2 (DS11)	DIODE		9-24	LANDING/SEARCH LIGHTS
CR20 (A1 A131)	DIODE	W612	13-4	PRESSURE REFUELING/DEFUELING
CR21 (A1 A131)	DIODE	W612	13-2	FUEL CROSSFEED/BOOST
CR3 (A1 A133)	DIODE	W625	9-25	NAVIGATION LIGHTS
CR3 (A138)	DIODE	W616	25-6	FIRE DETECTION AND EXTINGUISHING
CR3 (A1 A181)	DIODE	W619	9-20	CPG UTILITY AND SECONDARY LIGHTS
CR.3 (A402)	DIODE	W668	9-2	DC ELECTRICAL POWER GENERATION
CR3 (DS11)	DIODE		9-24	LANDING/SEARCH LIGHTS
CR4 (A1 A131)	DIODE	W612	13-2	FUEL CROSSFEED/BOOST
CR4 (A1 A133)	DIODE	W625	9-19	EDGE LIGHTS
CR4 (A1 A181)	DIODE	W619	9-20	CPG UTILITY AND SECONDARY LIGHTS

WIRING DIAGRAM DIRECTORY (cont)

REFDES	COMPONENT	CABLE	PARAGRAPH	WIRING DIAGRAM
CR4 (A402)	DIODE	W668	9-2	DC ELECTRICAL POWER GENERATION
CR4 (DS11)	DIODE		9-24	LANDING/SEARCH LIGHTS
CR5 (A110)	DIODE	W627	6-3	UHF-AM RADIO SET
CR5 (A110)	DIODE	W627	6-4	VHF AM-FM RADIO SET AN/ARC-186 (ADH)
CR5 (A110)	DIODE	W627	6-5	VHF AM-FM RADIO SET AN/ARC-186 AND AN/ARC-201A (ADI)
CR5 (A1 A131)	DIODE	W612	13-2	FUEL CROSSFEED/BOOST
CR5 (A1 A133)	DIODE	W625	9-19	EDGE LIGHTS
CR5 (A1 A181)	DIODE	W619	9-20	CPG UTILITY AND SECONDARY LIGHTS
CR6 (A110)	DIODE	W627	6-3	UHF-AM RADIO SET
CR6 (A110)	DIODE	W627	6-4	VHF AM-FM RADIO SET AN/ARC-186 (ADH)
CR6 (A110)	DIODE	W627	6-5	VHF AM-FM RADIO SET AN/ARC-186 AND AN/ARC-201A (ADI)
CR6 (A138)	DIODE	W616	25-6	FIRE DETECTION AND EXTINGUISHING
CR7 (A110)	DIODE	W627	6-3	UHF-AM RADIO SET
CR7 (A110)	DIODE	W627	6-4	VHF AM-FM RADIO SET AN/AR-186 (ADH)
CR7 (A110)	DIODE	W627	6-5	VHF AM-FM RADIO SET AN/ARC-186 AND AN/ARC-201A (ADI)
CR7 (A1 A131)	DIODE	W612	13-2	FUEL CROSSFEED/BOOST
CR7 (A1 A133)	DIODE	W625	9-21	PILOT UTILITY AND SECONDARY LIGHTS
CR8 (A110)	DIODE	W627	6-3	UHF-AM RADIO SET

WIRING DIAGRAM DIRECTORY (cont)

REFDES	COMPONENT	CABLE	PARAGRAPH	WIRING DIAGRAM
CR8 (A110)	DIODE	W627	6-4	VHF AM-FM RADIO SET AN/ARC-186 (ADH)
CR8 (A110)	DIODE	W627	6-5	VHF AM-FM RADIO SET AN/ARC-186 AND AN/ARC-201A (ADI)
CR8 (A1 A131)	DIODE	W612	13-2	FUEL CROSSFEED/BOOST
CR8 (A1 A133)	DIODE	W625	9-21	PILOT UTILITY AND SECONDARY LIGHTS
CR9 (A110)	DIODE	W627	6-3	UHF-AM RADIO SET
CR9 (A110)	DIODE	W627	6-4	VHF AM-FM RADIO SET AN/ARC-186 (ADH)
CR9 (A110)	DIODE	W627	6-5	VHF AM-FM RADIO SET AN/ARC-186 AND AN/ARC-201A (ADI)
CR9 (A1 A131)	DIODE	W612	13-2	FUEL CROSSFEED/BOOST
CR9 (A1 A133)	DIODE	W625	9-21	PILOT UTILITY AND SECONDARY LIGHTS
CR95 (TB507-1/2)	DIODE	W189	12-4	STABILATOR
CR97 (TB507-1/2)	DIODE	W170	12-4	STABILATOR
DS1 (A133)	PANEL LIGHT	W625	9-19	EDGE LIGHTS
DS1 (A135)	BLADE DE-ICE INDICATOR	W614	25-3	ROTOR BLADES DE-ICE
DS1 (A138)	FIRE APU PULL SWITCH PANEL LIGHT	W616	25-6	FIRE DETECTION AND EXTINGUISHING
DS1 (A181)	PANEL LIGHT	W619	9-19	EDGE LIGHTS
DS1 (A331)	TAIL WHEEL ADVISORY LIGHT	W645	15-1	HYDRAULIC
DS1 (A57)	REFUEL VALVE OPEN INDICATOR	W608	13-4	PRESSURE REFUELING/DEFUELING
DS1 (FWD) (A76)	PANEL LIGHT	W605	9-19	EDGE LIGHTS

WIRING DIAGRAM DIRECTORY (cont)

REFDES	COMPONENT	CABLE	PARAGRAPH	WIRING DIAGRAM
DS1 XDS1	FORMATION LIGHT (LEFT WING)	W155	9-23	FORMATION LIGHTS
DS11	LANDING/SEARCH LIGHT		9-24	LANDING/SEARCH LIGHTS
DS12 (AFT)	CONNECTOR		9-26	MAINTENANCE LIGHTS
DS12 (FWD)	CONNECTOR		9-26	MAINTENANCE LIGHTS
DS16	PILOT UTILITY LIGHT	W119	9-21	PILOT UTILITY AND SECONDARY LIGHTS
DS16 SP1	SPLICE	W119	9-21	PILOT UTILITY AND SECONDARY LIGHTS
DS162	CPG STAB DEG/NOM SPD PLACARD PANEL		9-19	EDGE LIGHTS
DS17	CPG UTILITY LIGHT	W119	9-20	CPG UTILITY AND SECONDARY LIGHTS
DS17 SP1	SPLICE	W119	9-20	CPG UTILITY AND SECONDARY LIGHTS
DS17 SP2	SPLICE	W119	9-20	CPG UTILITY AND SECONDARY LIGHTS
DS177	PILOT ARM/SAFE LAMPS	W117	3-1	AERIAL ROCKET CONTROL SYSTEM (ARCS)
DS177	PILOT ARM/SAFE LAMPS	W117	4-1	AREA WEAPON SYSTEM (AWS)
DS178	CPG ARM/SAFE LAMPS	W117	3-1	AERIAL ROCKET CONTROL SYSTEM (ARCS)
DS178	CPG ARM/SAFE LAMPS	W117	4-1	AREA WEAPON SYSTEM (AWS)
DS178	CPG ARM/SAFE LAMPS	W117	9-19	EDGE LIGHTS
DS18	CPG FUEL XFER INDICATOR	W119	9-19	EDGE LIGHTS
DS18 SP1	SPLICE	W119	9-19	EDGE LIGHTS
DS18 SP2	SPLICE	W119	9-19	EDGE LIGHTS
DS19	PILOT FUEL XFR INDICATOR	W119	9-19	EDGE LIGHTS
DS19 SP1	SPLICE	W119	9-19	EDGE LIGHTS
DS19 SP2	SPLICE	W119	9-19	EDGE LIGHTS

WIRING DIAGRAM DIRECTORY (cont)

REFDES	COMPONENT	CABLE	PARAGRAPH	WIRING DIAGRAM
DS191 (A24)	INDICATOR	W119	23-1	POWER PLANTS
DS2 (A135)	ENGINE INLET INDICATOR	W614	25-2	ENGINE ANTI-ICE
DS2 (A138)	BTL DISCHG FIRE EXT 2 INDICATOR	W616	25-6	FIRE DETECTION AND EXTINGUISHING
DS2 (A322)	ENG 1 FIRE PULL SWITCH PANEL LIGHT	W643	25-6	FIRE DETECTION AND EXTINGUISHING
DS2 (A327)	ENG 1 FIRE PULL SWITCH PANEL LIGHT	W647	25-6	FIRE DETECTION AND EXTINGUISHING
DS2 (A57)	AFT CLOSED INDICATOR	W608	13-4	PRESSURE REFUELING/DEFUELING
DS2 (A76) (CENTER)	PANEL LIGHT	W605	9-19	EDGE LIGHTS
DS2 (A78)	PANEL LIGHT	W613	23-1	POWER PLANTS
DS2 XDS2	FORMATION LIGHT (RIGHT WING)	W156	9-23	FORMATION LIGHTS
DS28	PILOT MASTER CAUTION AND WARNING PANEL		9-18	CAUTION AND WARNING
DS3 (A138)	BTL DISCHG FIRE EXT 1 INDICATOR	W616	25-6	FIRE DETECTION AND EXTINGUISHING
DS3 (A322)	ENG 2 FIRE PULL SWITCH PANEL LIGHT	W643	25-6	FIRE DETECTION AND EXTINGUISHING
DS3 (A327)	ENG 2 FIRE PULL SWITCH PANEL LIGHT	W647	25-6	FIRE DETECTION AND EXTINGUISHING
DS3 (A57)	FWD CLOSED INDICATOR	W608	13-4	PRESSURE REFUELING/DEFUELING
DS3 (A76) (AFT)	PANEL LIGHT	W605	9-19	EDGE LIGHTS
DS3 XDS3	FORMATION LIGHT (FUSELAGE)	W102	9-23	FORMATION LIGHTS
DS31	CPG MASTER CAUTION AND WARNING PANEL		9-18	CAUTION AND WARNING
DS4 XDS4	FORMATION LIGHT (TAIL)	W154	9-23	FORMATION LIGHTS

WIRING DIAGRAM DIRECTORY (cont)

REFDES	COMPONENT	CABLE	PARAGRAPH	WIRING DIAGRAM
DS8	LEFT ANTI-COLLISION LIGHT		9-22	ANTI-COLLISION LIGHTS
DS9	RIGHT ANTI-COLLISION LIGHT		9-22	ANTI-COLLISION LIGHTS
E1	ENGINE 1 ELECTRICAL CONTROL UNIT		18-1	ENGINE INSTRUMENTS
E1	ENGINE 2 ELECTRICAL CONTROL UNIT		18-1	ENGINE INSTRUMENTS
E1	ENGINE 2 ELECTRICAL CONTROL UNIT		23-1	POWER PLANTS
E1	ENGINE 1 ELECTRICAL CONTROL UNIT		23-1	POWER PLANTS
E100	SECONDARY FIRE EXTINGUISHER BOTTLE 2	W221	25-6	FIRE DETECTION AND EXTINGUISHING
E100	PRIMARY FIRE EXTINGUISHER BOTTLE 1	W221	25-6	FIRE DETECTION AND EXTINGUISHING
E3	ENGINE 1 ANTI-ICE BLEED START VALVE		9-18	CAUTION AND WARNING
E3	ENGINE 2 ANTI-ICE BLEED START VALVE		9-18	CAUTION AND WARNING
E3	ENGINE 2 ANTI-ICE BLEED START VALVE		18-1	ENGINE INSTRUMENTS
E3	ENGINE 1 ANTI-ICE BLEED START VALVE		18-1	ENGINE INSTRUMENTS
E3	ENGINE 1 ANTI-ICE BLEED START VALVE		23-1	POWER PLANTS
E3	ENGINE 2 ANTI-ICE BLEED START VALVE		23-1	POWER PLANTS
E3	ENGINE 1 ANTI-ICE BLEED START VALVE		25-2	ENGINE ANTI-ICE
E3	ENGINE 2 ANTI-ICE BLEED START VALVE		25-2	ENGINE ANTI-ICE
E310	IFF ANTENNA (TOP)		16-1	IFF

WIRING DIAGRAM DIRECTORY (cont)

REFDES	COMPONENT	CABLE PARAGRAPH	WIRING DIAGRAM
E314	IFF (LOWER) UHF-AM ANTENNA	6-3	UHF-AM RADIO SET
E314	IFF (LOWER) UHF-AM ANTENNA	16-1	IFF
E315	VHF AM-FM 2 ANTENNA	6-4	VHF AM-FM RADIO SET AN/ARC-186 (ADH)
E315	VHF AM-FM 2 ANTENNA	6-5	VHF AM-FM RADIO SET AN/ARC-186 AND AN/ARC-201A (ADI)
E317 (ABP)	VHF AM-FM 1 ANTENNA	6-4	VHF AM-FM RADIO SET AN/ARC-186 (ADH)
E317 (ABP)	VHF AM-FM 1 ANTENNA	6-5	VHF AM-FM RADIO SET AN/ARC-186 AND AN/ARC-201A (ADI)
E319 (ACP)	VHF AM-FM 1 ANTENNA AV412	6-4	VHF AM-FM RADIO SET AN/ARC-186 (ADH)
E319 (ACP)	VHF AM-FM 1 ANTENNA AV412	6-5	VHF AM-FM RADIO SET AN/ARC-186 AND AN/ARC-201A (ADI)
E320	RADAR ALTIMETER TRANSMITTER ANTENNA	20-5	RADAR ALTIMETER (RADALT) SET
E321	RADAR ALTIMETER RECEIVER ANTENNA	20-5	RADAR ALTIMETER (RADALT) SET
E322	RECEIVER/ TRANSMITTER ANTENNA (RTA)	20-2	DOPPLER NAVIGATION AN/ASN-128
E323	RECEIVE ANTENNA	21-2	RADAR JAMMER AN/ALQ-136
E324	TRANSMIT ANTENNA	21-2	RADAR JAMMER AN/ALQ-136
E325 (ACR)	IFF ANTENNA (BOTTOM)	16-1	IFF
E350	ADF SENSE ANTENNA	20-1	AUTOMATIC DIRECTION FINDER (ADF) AN/ARN-89
E351	ADF LOOP ANTENNA	20-1	AUTOMATIC DIRECTION FINDER (ADF) AN/ARN-89

WIRING DIAGRAM DIRECTORY (cont)

REFDES	COMPONENT	CABLE PARAGRAPH	WIRING DIAGRAM
E352	DOPPLER RADAR ANTENNA	20-3	DOPPLER NAVIGATION AN/ASN-137 (ADC)
E352	DOPPLER R.ADAR ANTENNA	20-3A	DOPPLER NAVIGATION AN/ASN-137 (ADD)
E360	ADF ANTENNA	20-6	AUTOMATIC DIRECTION FINDER (ADF) AN/ARN-149
E502	GPS ANTENNA	20-8	EGI (ADD)
E700	FORWARD LEFT SPIRAL ANTENNA	21-3	RADAR WARNING SET AN/APR-39(V)1 (ADN) and AN/APR-39A(V)1 (ADO)
E700	FORWARD LEFT SPIRAL ANTENNA	21-4	LASER DETECTING SET AN/AVR-2A(V)1 (ADP)
E701	FORWARD RIGHT SPIRAL ANTENNA	21-3	RADAR WARNING SET AN/APR-39(V)1 (ADN) and AN/APR-39A(V)1 (ADO)
E701	FORWARD RIGHT SPIRAL ANTENNA	21-4	LASER DETECTING SET AN/AVR-2A(V)1 (ADP)
E702	AFT RIGHT SPIRAL ANTENNA	21-3	RADAR WARNING SET AN/APR-39(V)1 (ADN) and AN/APR-39A(V)1 (ADO)
E702	AFT RIGHT SPIRAL ANTENNA	21-4	LASER DETECTING SET AN/AVR-2A(V)1 (ADP)
E703	AFT LEFT SPIRAL ANTENNA	21-3	RADAR WARNING SET AN/APR-39(V)1 (ADN) and AN/APR-39A(V)1 (ADO)
E703	AFT LEFT SPIRAL ANTENNA	21-4	LASER DETECTING SET AN/AVR-2A(V)1 (ADP)
E704	BLADE ANTENNA	21-3	RADAR WARNING SET AN/APR-39(V)1 (ADN) and AN/APR-39A(V)1 (ADO)
E704	BLADE ANTENNA	21-4	LASER DETECTING SET AN/AVF-2A(V)1 (ADP)
EQ300	AUDIO JUNCTION UNIT	6-1	INTERCOMMUNICATION

WIRING DIAGRAM DIRECTORY (cont)

REFDES	COMPONENT	CABLE	PARAGRAPH	WIRING DIAGRAM
EQ300	AUDIO JUNCTION UNIT		6-2	TSEC/KY-58 COMMUNICATIONS SECURITY EQUIPMENT
EQ300	AUDIO JUNCTION UNIT		6-3	UHF-AM RADIO SET
EQ300	AUDIO JUNCTION UNIT		6-4	VHF AM-FM RADIO SET AN/ARC-186 (ADH)
EQ300	AUDIO JUNCTION UNIT		6-5	VHF AM-FM RADIO SET AN/ARC-186 AND AN/ARC-201A (ADI)
EQ300	AUDIO JUNCTION UNIT		9-27	AUDIO WARNING
EQ300	AUDIO JUNCTION UNIT		16-1	IFF
EQ300	AUDIO JUNCTION UNIT		20-1	AUTOMATIC DIRECTION FINDER (ADF) AN/ARN-89
EQ300	AUDIO JUNCTION UNIT		20-6	AUTOMATIC DIRECTION FINDER (ADF) AN/ARN-149
EQ300	AUDIO JUNCTION UNIT		21-3	RADAR WARNING SET AN/APR-39(V)1 (ADN) and AN/APR-39A(V)1 (ADO)
EQ300	AUDIO JUNCTION UNIT		21-4	LASER DETECTING SET AN/AVR-2A(V)1 (ADP)
EQ300	AUDIO JUNCTION UNIT		26-2	VIDEO DISPLAY UNIT (VDU) AND VIDEO RECORDER
F1 (A402)	CURRENT LIMITER FUSE	W668	14-1	HELLFIRE MISSILE
F2 (A402)	CURRENT LIMITER FUSE	W668	14-1	HELLFIRE MISSILE
FL1 (A342)	FILTER		12-2	DASE (BUCS ACTIVATED)
FL2 (A342)	FILTER		12-2	DASE (BUCS ACTIVATED)
FL3 (A342)	FILTER		12-2	DASE (BUCS ACTIVATED)
FL313	HIGH PASS FILTER		6-3	UHF-AM RADIO SET
FL4 (A342)	FILTER		12-2	DASE (BUCS ACTIVATED)
G1	AC GENERATOR 1		9-1	AC ELECTRICAL POWER GENERATION
G1	AC GENERATOR 1		9-2	DC ELECTRICAL POWER GENERATION

WIRING DIAGRAM DIRECTORY (cont)

REFDES	COMPONENT	CABLE	PARAGRAPH	WIRING DIAGRAM
G2	AC GENERATOR 2		9-1	AC ELECTRICAL POWER GENERATION
G2	AC GENERATOR 2		9-2	DC ELECTRICAL POWER GENERATION
G2	AC GENERATOR 2		14-1	HELLFIRE MISSILE
GS1 (A323)	GROUND STUD	W642	12-1	DASE (BUCS DEACTIVATED)
GS1 (A323)	GROUND STUD	W642	12-4	STABILATOR
GS1 (A326)	GROUND STUD	W646	9-24	LANDING/SEARCH LIGHTS
GS1 (A326)	GROUND STUD	W646	10-1	ENVIRONMENTAL CONTROL SYSTEM (ECS)
GS1 (A326)	GROUND STUD	W646	25-5	WINDSHIELD WIPERS
GS1 (A333)	GROUND STUD	W650	11-2	EXTERNAL STORES JETTISON
GS1 (A402)	GROUND STUD	W668	9-1	AC ELECTRICAL POWER GENERATION
GS1 (A402)	GROUND STUD	W668	9-4	BATTERY AND BATTERY CHARGER
GS1 (A402)	GROUND STUD	W688	9-5	CIRCUIT PROTECTION (AC ESSENTIAL BUS 1- PILOT STATION)
GS1 (A402)	GROUND STUD	W668	9-7	CIRCUIT PROTECTION (AC ESSENTIAL BUS 2 - PILOT STATION)
GS1 (A402)	GROUND STUD	W668	9-24	LANDING/SEARCH LIGHTS
GS1 (A402)	GROUND STUD	W668	23-1	POWER PLANTS
GS1 (A700)	GROUND STUD	W602	21-2	RADAR JAMMER AN/ALQ-136
GS10 (A402)	GROUND STUD	W668	6-1	INTERCOMMUNICATION
GS10 (A402)	GROUND STUD	W668	9-28	SQUAT SWITCH

WIRING DIAGRAM DIRECTORY (cont)

WIRING DIAGRAM DIRECTORY (cont)

REFDES	COMPONENT	CABLE	PARAGRAPH	WIRING DIAGRAM
GS10 (A402)	GROUND STUD	W668	16-1	IFF
GS11 (A402)	GROUND STUD	W668	21-2	RADAR JAMMER AN/ALQ-136
GS2 (A323)	GROUND STUD	W642	12-1	DASE (BUCS DEACTIVATED)
GS2 (A323)	GROUND STUD	W642	12-4	STABILATOR
GS2 (A333)	GROUND STUD	W650	11-2	EXTERNAL STORES JETTISON
GS2 (A402)	GROUND STUD	W668	9-1	AC ELECTRICAL POWER GENERATION
GS2 (A402)	GROUND STUD	W668	9-5	CIRCUIT PROTECTION (AC ESSENTIAL BUS 1- PILOT STATION)
GS2 (A402)	GROUND STUD	W668	9-19	EDGE LIGHTS
GS2 (A402)	GROUND STUD	W668	9-22	ANTI-COLLISION LIGHTS
GS2 (A402)	GROUND STUD	W668	9-23	FORMATION LIGHTS
GS2 (A402)	GROUND STUD	W668	17-1	IHADSS
GS2 (A402)	GROUND STUD	W668	18-2	NAVIGATION INSTRUMENTS
GS2 (A402)	GROUND STUD	W668	19-1	MULTIPLEX
GS2 (A402)	GROUND STUD	W668	20-1	AUTOMATIC DIRECTION FINDER (ADF) AN/ARN-89
GS2 (A402)	GROUND STUD	W668	20-4	HARS
GS2 (A402)	GROUND STUD	W668	20-6	AUTOMATIC DIRECTION FINDER (ADF) AN/ARN-149
GS2 (A402)	GROUND STUD	W688	25-4	PITOT ANTI-ICE
GS2 (A402)	GROUND STUD	W668	26-1	SYMBOL GENERATOR
GS240	GROUND STUD	W118	9-18	CAUTION AND WARNING
GS240	GROUND STUD	W118	9-19	EDGE LIGHTS
GS240	GROUND STUD	W119	25-5	WINDSHIELD WIPERS
GS243	GROUND STUD	W255	19-1	MULTIPLEX

REFDES	COMPONENT	CABLE	PARAGRAPH	WIRING DIAGRAM
GS243	GROUND STUD	W255	22-1	PNVS
GS243	GROUND STUD	W255	24-1	TADS
GS244	GROUND STUD	W261	18-1	ENGINE INSTRUMENTS
GS245	GROUND STUD	W261	18-1	ENGINE INSTRUMENTS
GS250	GROUND STUD	W119	2-1	AIR DATA SYSTEM (ADS)
GS250	GROUND STUD	W255	3-1	AERIAL ROCKET CONTROL SYSTEM (ARCS)
GS250	GROUND STUD	W119	9-20	CPG UTILITY AND SECONDARY LIGHTS
GS250	GROUND STUD	W255	11-1	EXTERNAL STORES CONTROL
GS250	GROUND STUD	W255	14-1	HELLFIRE MISSILE
GS250	GROUND STUD	W117	19-1	MULTIPLEX
GS250	GROUND STUD	W255	20-5	RADAR ALTIMETER (RADALT) SET
GS250	GROUND STUD	W119	25-5	WINDSHIELD WIPERS
GS250	GROUND STUD	W119	25-6	FIRE DETECTION AND EXTINGUISHING
GS251	GROUND STUD	W119	2-1	AIR DATA SYSTEM (ADS)
GS251	GROUND STUD	W261	18-1	ENGINE INSTRUMENTS
GS252	GROUND STUD	W261	13-3	FUEL QUANTITY INDICATION/TRANSFER
GS252	GROUND STUD	W261	18-1	ENGINE INSTRUMENTS
GS253	GROUND STUD	W119	6-1	INTERCOMMUNICATION
GS254	GROUND STUD	W261	18-1	ENGINE INSTRUMENTS
GS254	GROUND STUD	W255	19-1	MULTIPLEX
GS254	GROUND STUD	W119	25-6	FIRE DETECTION AND EXTINGUISHING
GS255	GROUND STUD	W261	18-1	ENGINE INSTRUMENTS

WIRING DIAGRAM DIRECTORY (cont)

REFDES	COMPONENT	CABLE	PARAGRAPH	WIRING DIAGRAM
GS256	GROUND STUD	W117	3-1	AERIAL ROCKET CONTROL SYSTEM (ARCS)
GS256	GROUND STUD	W261	18-1	ENGINE INSTRUMENTS
GS256	GROUND STUD	W255	22-1	PNVS
GS256	GROUND STUD	W255	24-1	TADS
GS257	GROUND STUD	W255	19-1	MULTIPLEX
GS261	GROUND STUD	W266	6-4	VHF AM-FM RADIO SET AN/ARC-186 (ADH)
GS261	GROUND STUD	W266	6-5	VHF AM-FM RADIO SET AN/ARC-186 AND AN/ARC-201A (ADI)
GS261	GROUND STUD	W119	9-19	EDGE LIGHTS
GS261	GROUND STUD	W266	20-2	DOPPLER NAVIGATION AN/ASN-128
GS261	GROUND STUD	W266	20-3	DOPPLER NAVIGATION AN/ASN-137 (ADC)
GS261	GROUND STUD	W266	20-3A	DOPPLER NAVIGATION AN/ASN-137 (ADD)
GS262	GROUND STUD	W255	6-1	INTERCOMMUNICATION
GS263	GROUND STUD	W118	12-4	STABILATOR
GS269	GROUND STUD	W255	24-1	TADS
GS270	GROUND STUD	W117	9-17	CIRCUIT PROTECTION (DC GROUND CIRCUIT BREAKERS - CPG STATION)
GS270	GROUND STUD	W119	9-19	EDGE LIGHTS
GS270	GROUND STUD	W119	9-20	CPG UTILITY AND SECONDARY LIGHTS
GS270	GROUND STUD	W119	12-1	DASE (BUCS DEACTIVATED)
GS270	GROUND STUD	W119	12-2	DASE (BUCS ACTIVATED)
GS270	GROUND STUD	W117	14-1	HELLFIRE MISSILE
GS270	GROUND STUD	W117	19-1	MULTIPLEX
GS270	GROUND STUD	W119	23-1	POWER PLANTS
GS270	GROUND STUD	W119	25-1	CANOPY DEFOG AND ANTI-ICE

WIRING DIAGRAM DIRECTORY (cont)

REFDES	COMPONENT	CABLE	PARAGRAPH	WIRING DIAGRAM
GS271	GROUND STUD	W117	9-17	CIRCUIT PROTECTION (DC GROUND CIRCUIT BREAKERS - CPG STATION)
GS271	GROUND STUD	W117	14-1	HELLFIRE MISSILE
GS272	GROUND STUD	W117	4-1	AREA WEAPON SYSTEM (AWS)
GS272	GROUND STUD	W117	9-6	CIRCUIT PROTECTION (AC ESSENTIAL BUS 1-CPG STATION)
GS272	GROUND STUD	W117	9-10	CIRCUIT PROTECTION (DC ESSENTIAL BUS 1-CPG STATION)
GS272	GROUND STUD	W119	9-19	EDGE LIGHTS
GS272	GROUND STUD	W119	9-20	CPG UTILITY AND SECONDARY LIGHTS
GS272	GROUND STUD	W117	14-1	HELLFIRE MISSILE
GS272	GROUND STUD	W117	19-1	MULTIPLEX
GS272	GROUND STUD	W119	25-1	CANOPY DEFOG AND ANTI-ICE
GS273	GROUND STUD	W117	4-1	AREA WEAPON SYSTEM (AWS)
GS274	GROUND STUD	W117	4-1	AREA WEAPON SYSTEM (AWS)
GS274	GROUND STUD	W119	9-19	EDGE LIGHTS
GS274	GROUND STUD	W117	14-1	HELLFIRE MISSILE
GS274	GROUND STUD	W117	17-1	IHADSS
GS274	GROUND STUD	W117	18-2	NAVIGATION INSTRUMENTS
GS274	GROUND STUD	W117	19-1	MULTIPLEX
GS274	GROUND STUD	W117	26-2	VIDEO DISPLAY UNIT (VDU) AND VIDEO RECORDER

WIRING DIAGRAM DIRECTORY (cont)

WIRING DIAGRAM DIRECTORY (cont)

<u>REFDES</u>	<u>COMPONENT</u>	<u>CABLE PARAGRAPH</u>		<u>WIRING DIAGRAM</u>
GS275	GROUND STUD	W119	12-4	STABILATOR
GS276	GROUND STUD	W255	24-1	TADS
GS277	GROUND STUD	W116	4-1	AREA WEAPON SYSTEM (AWS)
GS277	GROUND STUD	W255	24-1	TADS
GS278	GROUND STUD	W255	14-1	HELLFIRE MISSILE
GS278	GROUND STUD	W255	19-1	MULTIPLEX
GS279	GROUND STUD	W117	4-1	AREA WEAPON SYSTEM (AWS)
GS279	GROUND STUD	W117	26-2	VIDEO DISPLAY UNIT (VDU) AND VIDEO RECORDER
GS280	GROUND STUD	W119	6-1	INTERCOMMUNICATION
GS280	GROUND STUD	W119	6-4	VHF AM-FM RADIO SET AN/ARC-186 (ADH)
GS280	GROUND STUD	W119	6-5	VHF AM-FM RADIO SET AN/ARC-186 AND AN/ARC-201A (ADI)
GS281	GROUND STUD	W219	6-1	INTERCOMMUNICATION
GS284	GROUND STUD	W118	9-18	CAUTION AND WARNING
GS286	GROUND STUD	W118	9-18	CAUTION AND WARNING
GS286	GROUND STUD	W118	26-2	VIDEO DISPLAY UNIT (VDU) AND VIDEO RECORDER
GS290	GROUND STUD	W255	12-1	DASE (BUCS DEACTIVATED)
GS290	GROUND STUD	W255	12-2	DASE (BUCS ACTIVATED)
GS292	GROUND STUD	W255	6-1	INTERCOMMUNICATION
GS3 (A323)	GROUND STUD	W642	12-1	DASE (BUCS DEACTIVATED)
GS3 (A323)	GROUND STUD	W642	12-4	STABILATOR
GS3 (A402)	GROUND STUD	W668	9-7	CIRCUIT PROTECTION (AC ESSENTIAL BUS 2-PILOT STATION)

<u>REFDES</u>	<u>COMPONENT</u>	<u>CABLE</u>	<u>PARAGRAPH</u>	<u>WIRING DIAGRAM</u>
GS360	GROUND STUD	W268	13-4	PRESSURE REFUELING/DEFUELING
GS361	GROUND STUD	W268	13-4	PRESSURE REFUELING/DEFUELING
GS370	GROUND STUD	W261	9-27	AUDIO WARNING
GS371	GROUND STUD	W117	3-1	AERIAL ROCKET CONTROL SYSTEM (ARCS)
GS371	GROUND STUD	W117	4-1	AREA WEAPON SYSTEM (AWS)
GS371	GROUND STUD	W261	9-27	AUDIO WARNING
GS371	GROUND STUD	W117	11-1	EXTERNAL STORES CONTROL
GS371	GROUND STUD	W119	18-1	ENGINE INSTRUMENTS
GS372	GROUND STUD	W261	8-1	DRIVE SYSTEM
GS372	GROUND STUD	W261	9-18	CAUTION AND WARNING
GS372	GROUND STUD	W261	9-27	AUDIO WARNING
GS372	GROUND STUD	W261	18-1	ENGINE INSTRUMENTS
GS373	GROUND STUD	W117	11-1	EXTERNAL STORES CONTROL
GS374	GROUND STUD	W117	3-1	AERIAL ROCKET CONTROL SYSTEM (ARCS)
GS374	GROUND STUD	W117	11-1	EXTERNAL STORES CONTROL
GS380	GROUND STUD	W266	6-2	TSEC/KY-58 COMMUNICATIONS SECURITY EQUIPMENT
GS380	GROUND STUD	W266	6-4	VHF AM-FM RADIO SET AN/ARC-186 (ADH)
GS380	GROUND STUD	W266	6-4	VHF AM-FM RADIO SET AN/ARC-186 AND ANA/RG-201A (ADD)
GS380	GROUND STUD	W266	9-27	AUDIO WARNING
GS380	GROUND STUD	W266	16-1	IFF
GS381	GROUND STUD	W266	6-3	UHF-AM RADIO SET

WIRING DIAGRAM DIRECTORY (cont)

REFDES	COMPONENT	CABLE	PARAGRAPH	WIRING DIAGRAM
GS381	GROUND STUD	W266	6-4	VHF AM-FM RADIO SET AN/ARC-186 (ADH)
GS381	GROUND STUD	W266	6-5	VHF AM-FM RADIO SET AN/ARC-186 AND AN/ARC-201A (ADI)
GS381	GROUND STUD	W266	9-19	EDGE LIGHTS
GS381	GROUND STUD	W266	16-1	IFF
GS381	GROUND STUD	W266	20-2	DOPPLER NAVIGATION AN/ASN-128
GS381	GROUND STUD	W266	20-3	DOPPLER NAVIGATION AN/ASN-137 (ADC)
GS381	GROUND STUD	W266	20-3A	DOPPLER NAVIGATION AN/ASN-137 (ADD)
GS382	GROUND STUD	W118	13-4	PRESSURE REFUELING/DEFUELING
GS382	GROUND STUD	W266	20-3	DOPPLER NAVIGATION AN/ASN-137 (ADC)
GS382	GROUND STUD	W266	20-3A	DOPPLER NAVIGATION AN/ASN-137 (ADD)
GS382	GROUND STUD	W118	25-6	FIRE DETECTION AND EXTINGUISHING
GS384	GROUND STUD	W118	5-1	AUXILIARY POWER UNIT (APU)
GS384	GROUND STUD	W266	6-3	UHF-AM RADIO SET
GS384	GROUND STUD	W266	6-4	VHF AM-FM RADIO SET AN/ARC-186 (ADH)
GS384	GROUND STUD	W266	6-5	VHF AM-FM RADIO SET AN/ARC-186 AND AN/ARC-201A (ADI)
GS384	GROUND STUD	W118	9-18	CAUTION AND WARNING
GS384	GROUND STUD	W266	9-19	EDGE LIGHTS
GS384	GROUND STUD	W266	16-1	IFF
GS390	GROUND STUD	W119	6-1	INTERCOMMUNICATION
GS391	GROUND STUD	W119	9-3	EXTERNAL POWER AND GROUND SERVICE UTILITY CONNECTOR
GS391	GROUND STUD	W119	9-4	BATTERY AND BATTERY CHARGER
GS391	GROUND STUD	W119	9-19	EDGE LIGHTS

WIRING DIAGRAM DIRECTORY (cont)

REFDES	COMPONENT	CABLE	PARAGRAPH	WIRING DIAGRAM
GS391	GROUND STUD	W119	23-1	POWER PLANTS
GS391	GROUND STUD	W119	25-5	WINDSHIELD WIPERS
GS392	GROUND STUD	W117	3-1	AERIAL ROCKET CONTROL SYSTEM (ARCS)
GS392	GROUND STUD	W117	9-19	EDGE LIGHTS
GS393	GROUND STUD	W119	15-1	HYDRAULIC
GS393	GROUND STUD	W119	20-1	AUTOMATIC DIRECTION FINDER (ADF) AN/ARN-89
GS393	GROUND STUD	W119	20-6	AUTOMATIC DIRECTION FINDER (ADF) AN/ARN-149
GS394	GROUND STUD	W117	3-1	AERIAL ROCKET CONTROL SYSTEM (ARCS)
GS394	GROUND STUD	W119	12-4	STABILATOR
GS399	GROUND STUD	W119	9-21	PILOT UTILITY AND SECONDARY LIGHTS
GS4 (A323)	GROUND STUD	W642	12-4	STABILATOR
GS4 (A402)	GROUND STUD	W668	5-1	AUXILIARY POWER UNIT (APU)
GS4 (A402)	GROUND STUD	W668	9-1	AC ELECTRICAL POWER GENERATION
GS4 (A402)	GROUND STUD	W668	9-16	CIRCUIT PROTECTION (DC GROUND CIRCUIT BREAKERS) - PILOT STATION
GS4 (A402)	GROUND STUD	W668	9-28	SQUAT SWITCH
GS4 (A402)	GROUND STUD	W668	11-1	EXTERNAL STORES CONTROL
GS4 (A4021)	GROUND STUD	W668	14-1	HELLFIRE MISSILE
GS4 (A4021)	GROUND STUD	W668	15-2	PRESSURIZED AIR SYSTEM (PAS)
GS4 (A4021)	GROUND STUD	W668	16-1	IFF
GS4 (A4021)	GROUND STUD	W668	21-2	RADAR JAMMER AN/ALQ-136
GS4 (A402)	GROUND STUD	W668	23-1	POWER PLANTS
GS400	GROUND STUD	W668	9-2	DC ELECTRICAL POWER GENERATION

WIRING DIAGRAM DIRECTORY (cont)

REFDES	COMPONENT	CABLE	PARAGRAPH	WIRING DIAGRAM
GS406	GROUND STUD	W118	9-18	CAUTION AND WARNING
GS406	GROUND STUD	W266	9-19	EDGE LIGHTS
GS406	GROUND STUD	W119	9-21	PILOT UTILITY AND SECONDARY LIGHTS
GS406	GROUND STUD	W119	12-1	DASE (BUCS DEACTIVATED)
GS406	GROUND STUD	W119	12-2	DASE (BUCS ACTIVATED)
GS406	GROUND STUD	W118	18-2	NAVIGATION INSTRUMENTS
GS406	GROUND STUD	W118	20-4	HARS
GS406	GROUND STUD	W266	20-5	RADAR ALTIMETER (RADALT) SET
GS406	GROUND STUD	W118	21-3	RADAR WARNING SET AN/APR-39(V)1 (ADN) AND AN/APR-39A(V)1 (ADO)
GS406	GROUND STUD	W118	21-4	LASER DETECTING SET AN/AVR-2A(V)1 (ADP)
GS406	GROUND STUD	W118	22-1	PNVS
GS407	GROUND STUD	W266	6-1	INTERCOMMUNICATION
GS407	GROUND STUD	W266	6-4	VHF AM-FM RADIO SET AN/ARC-186 (ADH)
GS407	GROUND STUD	W266	6-5	VHF AM-FM RADIO SET AN/ARC-186 AND AN/ARC-201A (ADI)
GS410	GROUND STUD	W668	9-2	DC ELECTRICAL POWER GENERATION
GS418	GROUND STUD	W117	3-1	AERIAL ROCKET CONTROL SYSTEM (ARCS)
GS418	GROUND STUD	W261	9-27	AUDIO WARNING
GS418	GROUND STUD	W261	18-1	ENGINE INSTRUMENTS
GS420	GROUND STUD	W117	4-1	AREA WEAPON SYSTEM (AWS)
GS420	GROUND STUD	W119	7-1	CHAFF DISPENSER
GS420	GROUND STUD	W119	9-19	EDGE LIGHTS
GS420	GROUND STUD	W119	12-1	DASE (BUCS DEACTIVATED)
GS420	GROUND STUD	W119	12-2	DASE (BUCS ACTIVATED)
GS420	GROUND STUD	W119	20-8	EGI (ADD)

WIRING DIAGRAM DIRECTORY (cont)

REFDES	COMPONENT	CABLE	PARAGRAPH	WIRING DIAGRAM
GS420	GROUND STUD	W119	12-4	STABILATOR
GS420	GROUND STUD	W119	13-2	FUEL CROSSFEED/BOOST
GS420	GROUND STUD	W119	13-3	FUEL QUANTITY INDICATION/TRANSFER
GS425	GROUND STUD	W261	18-1	ENGINE INSTRUMENTS
GS426	GROUND STUD	W116	20-5	RADAR ALTIMETER (RADALT) SET
GS427	GROUND STUD	W261	18-1	ENGINE INSTRUMENTS
GS429	GROUND STUD	W119	7-1	CHAFF DISPENSER
GS430	GROUND STUD	W119	15-1	HYDRAULIC
GS430	GROUND STUD	W119	25-3	ROTOR BLADES DE-ICE
GS430	GROUND STUD	W119	25-3	ROTOR BLADES DE-ICE
GS431	GROUND STUD	W668	9-2	DC ELECTRICAL POWER GENERATION
GS431	GROUND STUD	W119	25-2	ENGINE ANTI-ICE
GS432	GROUND STUD	W119	9-22	ANTI-COLLISION LIGHTS
GS432	GROUND STUD	W119	23-1	POWER PLANTS
GS433	GROUND STUD	W119	9-19	EDGE LIGHTS
GS433	GROUND STUD	W119	12-2	DASE (BUCS ACTIVATED)
GS433	GROUND STUD	W211	12-4	STABILATOR
GS433	GROUND STUD	W119	21-2	RADAR JAMMER AN/ALQ-136
GS433	GROUND STUD	W119	25-3	ROTOR BLADES DE-ICE
GS435	GROUND STUD	W119	21-2	RADAR JAMMER AN/ALQ-136
GS436	GROUND STUD	W117	14-1	HELLFIRE MISSILE
GS440	GROUND STUD	W118	21-1	IR JAMMER AN/ALQ-144
GS440	GROUND STUD	W118	21-2	RADAR JAMMER AN/ALQ-136

WIRING DIAGRAM DIRECTORY (cont)

<u>REFDES</u>	<u>COMPONENT</u>	<u>CABLE</u>	<u>PARAGRAPH</u>	<u>WIRING DIAGRAM</u>
GS441	GROUND STUD	W108	10-1	ENVIRONMENTAL CONTROL SYSTEM (ECS)
GS441	GROUND STUD	W118	21-1	IR JAMMER AN/ALQ-144
GS441	GROUND STUD	W118	21-2	RADAR JAMMER AN/ALQ-136
GS442	GROUND STUD	W108	10-1	ENVIRONMENTAL CONTROL SYSTEM (ECS)
GS442	GROUND STUD	W118	13-5	NITROGEN INERTING
GS443	GROUND STUD	W668	9-2	DC ELECTRICAL POWER GENERATION
GS443	GROUND STUD	W118	25-2	ENGINE ANTI-ICE
GS444	GROUND STUD	W668	9-2	DC ELECTRICAL POWER GENERATION
GS446	GROUND STUD	W118	18-2	NAVIGATION INSTRUMENTS
GS447	GROUND STUD	W116	14-1	HELLFIRE MISSILE
GS455	GROUND STUD	W211	12-1	DASE (BUCS DEACTIVATED)
GS463	GROUND STUD	W109	2-1	AIR DATA SYSTEM (ADS)
GS463	GROUND STUD	W118	25-3	ROTOR BLADES DE-ICE
GS465	GROUND STUD	W211	12-1	DASE (BUCS DEACTIVATED)
GS466	GROUND STUD	W211	12-1	DASE (BUCS DEACTIVATED)
GS480 (G2)	GROUND STUD	W668	9-1	AC ELECTRICAL POWER GENERATION
GS481	GROUND STUD	W119	21-1	IR JAMMER AN/ALQ-144
GS490 (G1)	GROUND STUD	W668	9-1	AC ELECTRICAL POWER GENERATION
GS5 (A323)	GROUND STUD	W642	12-2	DASE (BUCS ACTIVATED)
GS5 (A323)	GROUND STUD	W642	12-4	STABILATOR

WIRING DIAGRAM DIRECTORY (cont)

<u>REFDES</u>	<u>COMPONENT</u>	<u>CABLE</u>	<u>PARAGRAPH</u>	<u>WIRING DIAGRAM</u>
GS5 (A402)	GROUND STUD	W668	9-1	AC ELECTRICAL POWER GENERATION
GS5 (A402)	GROUND STUD	W668	9-2	DC ELECTRICAL POWER GENERATION
GS5 (A402)	GROUND STUD	W668	10-1	ENVIRONMENTAL CONTROL SYSTEM (ECS)
GS5 (A402)	GROUND STUD	W668	20-4	HARS
GS5 (A402)	GROUND STUD	W668	23-1	POWER PLANTS
GS5 (A402)	GROUND STUD	W668	25-2	ENGINE ANTI-ICE
GS5 (A402)	GROUND STUD	W688	25-3	ROTOR BLADES DE-ICE
GS5 (A402)	GROUND STUD	W688	25-4	PITOT ANTI-ICE
GS500	GROUND STUD	W268	13-3	FUEL QUANTITY INDICATION/TRANSFER
GS500	GROUND STUD	W268	13-4	PRESSURE REFUELING/DEFUELING
GS501	GROUND STUD	W116	14-1	HELLFIRE MISSILE
GS513	GROUND STUD	W117	14-1	HELLFIRE MISSILE
GS520	GROUND STUD	W118	18-1	ENGINE INSTRUMENTS
GS541	GROUND STUD	W102	5-1	AUXILIARY POWER UNIT (APU)
GS541	GROUND STUD	W102	12-4	STABILATOR
GS541	GROUND STUD	W117	13-1	AUXILIARY FUEL
GS541	GROUND STUD	W102	13-2	FUEL CROSSFEED/BOOST
GS541	GROUND STUD	W102	15-2	PRESSURIZED AIR SYSTEM (PAS)
GS541	GROUND STUD	W118	25-2	ENGINE ANTI-ICE
GS541	GROUND STUD	W118	25-6	FIRE DETECTION AND EXTINGUISHING
GS542	GROUND STUD	W102	5-1	AUXILIARY POWER UNIT (APU)

WIRING DIAGRAM DIRECTORY (cont)

<u>REFDES</u>	<u>COMPONENT</u>	<u>CABLE PARAGRAPH</u>		<u>WIRING DIAGRAM</u>
GS542	GROUND STUD	W118	8-1	DRIVE SYSTEM
GS542	GROUND STUD	W118	9-18	CAUTION AND WARNING
GS542	GROUND STUD	W118	23-1	POWER PLANTS
GS542	GROUND STUD	W118	25-2	ENGINE ANTI-ICE
GS543	GROUND STUD	W117	5-1	AUXILIARY POWER UNIT (APU)
GS543	GROUND STUD	W102	15-2	PRESSURIZED AIR SYSTEM (PAS)
GS570	GROUND STUD	W119	10-1	ENVIRONMENTAL CONTROL SYSTEM (ECS)
GS570	GROUND STUD	W119	13-2	FUEL CROSSFEED/BOOST
GS570	GROUND STUD	W119	23-1	POWER PLANTS
GS570	GROUND STUD	W119	25-1	CANOPY DEFOG AND ANTI-ICE
GS570	GROUND STUD	W119	25-6	FIRE DETECTION AND EXTINGUISHING
GS571	GROUND STUD	W119	18-1	ENGINE INSTRUMENTS
GS572	GROUND STUD	W211	8-1	DRIVE SYSTEM
GS572	GROUND STUD	W211	9-18	CAUTION AND WARNING
GS572	GROUND STUD	W119	13-1	AUXILIARY FUEL
GS572	GROUND STUD	W119	25-2	ENGINE ANTI-ICE
GS572	GROUND STUD	W119	25-3	ROTOR BLADES DE-ICE
GS573	GROUND STUD	W261	18-1	ENGINE INSTRUMENTS
GS574	GROUND STUD	W119	8-1	DRIVE SYSTEM
GS574	GROUND STUD	W119	9-18	CAUTION AND WARNING
GS574	GROUND STUD	W119	23-1	POWER PLANTS
GS574	GROUND STUD	W119	25-2	ENGINE ANTI-ICE
GS575	GROUND STUD	W211	12-4	STABILATOR

WIRING DIAGRAM DIRECTORY (cont)

<u>REFDES</u>	<u>COMPONENT</u>	<u>CABLE</u>	<u>PARAGRAPH</u>	<u>WIRING DIAGRAM</u>
GS575	GROUND STUD	W119	25-2	ENGINE ANTI-ICE
GS576	GROUND STUD	W119	13-1	AUXILIARY FUEL
GS578	GROUND STUD	W119	13-2	FUEL CROSSFEED/BOOST
GS6 (A402)	GROUND STUD	W668	4-1	AREA WEAPON SYSTEM (AWS)
GS6 (A402)	GROUND STUD	W668	9-9	CIRCUIT PROTECTION (DC ESSENTIAL BUS 1-PILOT STATION)
GS6 (A402)	GROUND STUD	W668	9-16	CIRCUIT PROTECTION (DC GROUND CIRCUIT BREAKERS - PILOT STATION)
GS6 (A402)	GROUND STUD	W668	9-28	SQUAT SWITCH
GS6 (A402)	GROUND STUD	W668	10-1	ENVIRONMENTAL CONTROL SYSTEM (ECS)
GS6 (A402)	GROUND STUD	W668	12-1	DASE BUCS DEACTIVATED)
GS6 (A402)	GROUND STUD	W668	12-2	DASE (BUCS ACTIVATED)
GS6 (A402)	GROUND STUD	W668	14-1	HELLFIRE MISSILE
GS6 (A402)	GROUND STUD	W668	21-1	IR JAMMER AN/ALQ-144
GS6 (A402)	GROUND STUD	W688	25-3	ROTOR BLADES DE-ICE
GS6 (A402)	GROUND STUD	W688	25-4	PITOT ANTI-ICE
GS600	GROUND STUD	W102	2-1	AIR DATA SYSTEM (ADS)
GS600	GROUND STUD	W211	12-1	DASE (BUCS DEACTIVATED)
GS600	GROUND STUD	W102	20-4	HARS
GS600	GROUND STUD	W266	20-5	RADAR ALTIMETER (RADALT) SET
GS601	GROUND STUD	W102	7-1	CHAFF DISPENSER
GS601	GROUND STUD	W108	9-3	EXTERNAL POWER AND GROUND SERVICE UTILITY CONNECTOR

WIRING DIAGRAM DIRECTORY (cont)

REFDES	COMPONENT	CABLE	PARAGRAPH	WIRING DIAGRAM
GS601	GROUND STUD	W211	12-1	DASE (BUCS DEACTIVATED)
GS601	GROUND STUD	W211	12-2	DASE (BUCS ACTIVATED)
GS601	GROUND STUD	W211	23-1	POWER PLANTS
GS602	GROUND STUD	W211	2-1	AIR DATA SYSTEM (ADS)
GS602	GROUND STUD	W211	5-1	AUXILIARY POWER UNIT (APU)
GS602	GROUND STUD	W211	26-2	VIDEO DISPLAY UNIT (VDU) AND VIDEO RECORDER
GS604	GROUND STUD	W211	2-1	AIR DATA SYSTEM (ADS)
GS604	GROUND STUD	W102	5-1	AUXILIARY POWER UNIT (APU)
GS604	GROUND STUD	W211	12-1	DASE (BUCS DEACTIVATED)
GS605	GROUND STUD	W266	6-2	TSEC/KY-58 COMMUNICATIONS SECURITY EQUIPMENT
GS606	GROUND STUD	W266	6-2	TSEC/KY-58 COMMUNICATIONS SECURITY EQUIPMENT
GS610	GROUND STUD	W268	13-4	PRESSURE REFUELING/DEFUELING
GS626	GROUND STUD	W108	9-4	BATTERY AND BATTERY CHARGER
GS630	GROUND STUD	W102	9-18	CAUTION AND WARNING
GS630	GROUND STUD	W102	13-2	FUEL CROSSFEED/BOOST
GS630	GROUND STUD	W102	15-1	HYDRAULIC
GS630	GROUND STUD	W118	25-6	FIRE DETECTION AND EXTINGUISHING
GS631	GROUND STUD	W102	5-1	AUXILIARY POWER UNIT (APU)
GS631	GROUND STUD	W102	9-18	CAUTION AND WARNING
GS631	GROUND STUD	W102	12-4	STABILATOR
GS631	GROUND STUD	W102	15-1	HYDRAULIC

WIRING DIAGRAM DIRECTORY (cont)

REFDES	COMPONENT	CABLE	PARAGRAPH	WIRING DIAGRAM
GS640	GROUND STUD	W108	9-4	BATTERY AND BATTERY CHARGER
GS640	GROUND STUD	W108	9-26	MAINTENANCE LIGHTS
GS650	GROUND STUD	W211	12-4	STABILATOR
GS652	GROUND STUD	W211	12-4	STABILATOR
GS654	GROUND STUD	W211	12-4	STABILATOR
GS656	GROUND STUD	W266	20-3	DOPPLER NAVIGATION AN/ASN-137 (ADC)
GS656	GROUND STUD	W266	20-3A	DOPPLER NAVIGATION AN/ASN-137 (ADD)
GS656	GROUND STUD	W102	21-3	RADAR WARNING SET AN/APR39(V)1 (ADN) AND AN/APR39A(V)1 (ADO)
GS656	GROUND STUD	W102	21-4	LASER DETECTING SET AN/AVR-2A(V)1 (ADP)
GS660	GROUND STUD	W108	9-3	EXTERNAL POWER AND GROUND SERVICE UTILITY CONNECTOR
GS661	GROUND STUD	W108	9-3	EXTERNAL POWER AND GROUND SERVICE UTILITY CONNECTOR
GS661	GROUND STUD	W108	9-18	CAUTION AND WARNING
GS672	GROUND STUD	W170	7-1	DISPENSER
GS682	GROUND STUD	W170	15-1	HYDRAULIC
GS690	GROUND STUD	W170	8-1	DRIVE SYSTEM
GS690	GROUND STUD	W170	12-4	STABILATOR
GS690	GROUND STUD	W170	15-1	HYDRAULIC
GS691	GROUND STUD	W170	9-25	NAVIGATION LIGHTS
GS692	GROUND STUD	W115	12-1	DASE (BUCS DEACTIVATED)
GS692	GROUND STUD	W189	12-4	STABILATOR

WIRING DIAGRAM DIRECTORY (cont)

<u>REFDES</u>	<u>COMPONENT</u>	<u>CABLE</u>	<u>PARAGRAPH</u>	<u>WIRING DIAGRAM</u>
GS7 (A402)	GROUND STUD	W668	9-18	CAUTION AND WARNING
GS7 (A402)	GROUND STUD	W668	10-1	ENVIRONMENTAL CONTROL SYSTEM (ECS)
GS7 (A402)	GROUND STUD	W668	11-2	EXTERNAL STORES JETTISON
GS7 (A402)	GROUND STUD	W668	12-3	FORCE TRIM
GS7 (A402)	GROUND STUD	W668	13-4	PRESSURE REFUELING/DEFUELING
GS7 (A402)	GROUND STUD	W668	20-4	HARS
GS7 (A402)	GROUND STUD	W668	25-2	ENGINE ANTI-ICE
GS700	GROUND STUD	W158	11-2	EXTERNAL STORES JETTISON
GS702	GROUND STUD	W158	3-1	AERIAL ROCKET CONTROL SYSTEM (ARCS)
GS702	GROUND STUD	W158	14-1	HELLFIRE MISSILE
GS702	GROUND STUD	W158	19-1	MULTIPLEX
GS702	GROUND STUD	W156	25-4	PITOT ANTI-ICE
GS703	GROUND STUD	W158	14-1	HELLFIRE MISSILE
GS710	GROUND STUD	W157	11-2	EXTERNAL STORES JETTISON
GS711	GROUND STUD	W157	14-1	HELLFIRE MISSILE
GS711	GROUND STUD	W155	25-4	PITOT ANTI-ICE
GS712	GROUND STUD	W157	3-1	AERIAL ROCKET CONTROL SYSTEM (ARCS)
GS712	GROUND STUD	W157	14-1	HELLFIRE MISSILE
GS712	GROUND STUD	W157	19-1	MULTIPLEX
GS713	GROUND STUD	W157	14-1	HELLFIRE MISSILE
GS720	GROUND STUD	W158	11-2	EXTERNAL STORES JETTISON
GS721	GROUND STUD	W158	14-1	HELLFIRE MISSILE

WIRING DIAGRAM DIRECTORY (cont)

<u>REFDES</u>	<u>COMPONENT</u>	<u>CABLE</u>	<u>PARAGRAPH</u>	<u>WIRING DIAGRAM</u>
GS722	GROUND STUD	W158	3-1	AERIAL ROCKET CONTROL SYSTEM (ARCS)
GS722	GROUND STUD	W158	13-1	AUXILIARY FUEL
GS722	GROUND STUD	W158	14-1	HELLFIRE MISSILE
GS722	GROUND STUD	W158	19-1	MULTIPLEX
GS723	GROUND STUD	W158	14-1	HELLFIRE MISSILE
GS730	GROUND STUD	W158	11-2	EXTERNAL STORES JETTISON
GS731	GROUND STUD	W157	14-1	HELLFIRE MISSILE
GS732	GROUND STUD	W157	3-1	AERIAL ROCKET CONTROL SYSTEM (ARCS)
GS732	GROUND STUD	W601	13-1	AUXILIARY FUEL
GS732	GROUND STUD	W157	14-1	HELLFIRE MISSILE
GS732	GROUND STUD	W157	19-1	MULTIPLEX
GS733	GROUND STUD	W157	14-1	HELLFIRE MISSILE
GS8 (A402)	GROUND STUD	W668	9-12	CIRCUIT PROTECTION (DC ESSENTIAL BUS 3 - PILOT STATION)
GS8 (A402)	GROUND STUD	W668	20-3	DOPPLER NAVIGATION AN/ASN-137 (ADC)
GS8 (A402)	GROUND STUD	W668	22-1	PNVS
GS800	GROUND STUD	W116	4-1	AREA WEAPON SYSTEM (AWS)
GS800	GROUND STUD	W116	9-18	CAUTION AND WARNING
GS800	GROUND STUD	W118	9-26	MAINTENANCE LIGHTS
GS800	GROUND STUD	W116	11-2	EXTERNAL STORES JETTISON
GS800	GROUND STUD	W116	14-1	HELLFIRE MISSILE
GS800	GROUND STUD	W116	19-1	MULTIPLEX

WIRING DIAGRAM DIRECTORY (cont)

REFDES	COMPONENT	CABLE	PARAGRAPH	WIRING DIAGRAM
GS800	GROUND STUD	W255/ W116	22-1	PNVS
GS801	GROUND STUD	W116	17-1	IHADSS
GS802	GROUND STUD	W118	9-3	EXTERNAL POWER AND GROUND SERVICE UTILITY CONNECTOR
GS804	GROUND STUD	W118	9-3	EXTERNAL POWER AND GROUND SERVICE UTILITY CONNECTOR
GS810	GROUND STUD	W255	24-1	TADS
GS811	GROUND STUD	W117	4-1	AREA WEAPON SYSTEM (AWS)
GS811	GROUND STUD	W117	14-1	HELLFIRE MISSILE
GS811	GROUND STUD	W117	19-1	MULTIPLEX
GS811	GROUND STUD	W255	24-1	TADS
GS830	GROUND STUD	W119	9-18	CAUTION AND WARNING
GS830	GROUND STUD	W119	21-2	RADAR JAMMER AN/ALQ-136
GS840	GROUND STUD	W118	9-24	LANDING/SEARCH LIGHTS
GS841	GROUND STUD	W116	14-1	HELLFIRE MISSILE
GS841	GROUND STUD	W262	17-1	IHADSS
GS841	GROUND STUD	W116	19-1	MULTIPLEX
GS841	GROUND STUD	W116	20-3A	DOPPLER NAVIGATION AN/137 (ADD)
GS841	GROUND STUD	W116	20-8	EGI (ADD)
GS843	GROUND STUD	W116	17-1	IHADSS
GS844	GROUND STUD	W116	4-1	AREA WEAPON SYSTEM (AWS)
GS844	GROUND STUD	W116	17-1	IHADSS
GS846	GROUND STUD	W266	26-2	VIDEO DISPLAY UNIT (VDU) AND VIDEO RECORDER
GS850	GROUND STUD	W119	3-1	AERIAL ROCKET CONTROL SYSTEM (ARCS)
GS850	GROUND STUD	W119	4-1	AREA WEAPON SYSTEM (AWS)
GS850	GROUND STUD	W119	6-1	INTERCOMMUNICATION
GS850	GROUND STUD	W119	9-28	SQUAT SWITCH

WIRING DIAGRAM DIRECTORY (cont)

REFDES	COMPONENT	CABLE	PARAGRAPH	WIRING DIAGRAM
GS850	GROUND STUD	W119	11-1	EXTERNAL STORES CONTROL
GS850	GROUND STUD	W119	12-1	DASE BUCS (DEACTIVATED)
GS850	GROUND STUD	W119	12-2	DASE (BUCS ACTIVATED)
GS850	GROUND STUD	W119	16-1	IFF
GS852	GROUND STUD	W255	24-1	TADS
GS853	GROUND STUD	W115	12-1	DASE (BUCS DEACTIVATED)
GS9 (A402)	GROUND STUD	W668	9-5	CIRCUIT PROTECTION (AC ESSENTIAL BUS 1- PILOT STATION)
GS9 (A402)	GROUND STUD	W668	11-1	EXTERNAL STORES CONTROL
GS9 (A402)	GROUND STUD	W668	12-4	STABILATOR
GS9 (A402)	GROUND STUD	W608	22-1	PNVS
GS9 (A402)	GROUND STUD	W668	23-1	POWER PLANTS
GS909	GROUND STUD	W266	20-8	EGI (ADD)
GS909	GROUND STUD	W673	21-4	LASER DETECTING SET AN/AVR-2A(V)1 (ADP)
GS910	GROUND STUD	W266	20-3A	NAVIGATION DOPPLER AN/ASN-137 (ADD)
GS911	GROUND STUD	W116	20-3A	NAVIGATION DOPPLER AN/ASN-137 (ADD)
GS911	GROUND STUD	W116	20-7	DATA TRANSFER UNIT (ADD)
GS911	GROUND STUD	W116	20-8	EGI (ADD)
GS913	GROUND STUD	W266	20-3A	NAVIGATION DOPPLER AN/ASN-137 (ADD)
H300	PILOT HELMET SPH-4		6-1	INTERCOMMUNICATION
H300	PILOT HELMET SPH-4		17-1	IHADSS
H301	CPG HELMET SPH-4		6-1	INTERCOMMUNICATION
H301	CPG HELMET SPH-4		17-1	IHADSS
H302	MAINTENANCE HEADSET RIGHT WING		6-1	INTERCOMMUNICATION
H303	MAINTENANCE HEADSET RIGHT WING		6-1	INTERCOMMUNICATION
HP1	PRIMARY MANIFOLD		9-18	CAUTION AND WARNING

WIRING DIAGRAM DIRECTORY (cont)

REFDES	COMPONENT	CABLE PARAGRAPH	WIRING DIAGRAM
HP1	PRIMARY MANIFOLD	15-1	HYDRAULIC
HP2	UTILITY MANIFOLD	9-18	CAUTION AND WARNING
HP2	UTILITY MANIFOLD	15-1	HYDRAULIC
HP3	APU START SOLENOID	5-1	AUXILIARY POWER UNIT (APU)
HP4	TAIL LANDING GEAR PROXIMITY SWITCH	15-1	HYDRAULIC
HP5	TAIL WHEEL LOCK CONTROL VALVE	15-1	HYDRAULIC
HP6	UTILITY SHUTOFF VALVE SOLENOID	15-1	HYDRAULIC
HR3	ENGINE 1 NOSE GEARBOX FAIRING HEATER	25-2	ENGINE ANTI-ICE
HR4	ENGINE 2 NOSE GEARBOX FAIRING HEATER	25-2	ENGINE ANTI-ICE
HR6	LH WING PITOT HEATER	25-4	PITOT ANTI-ICE
HR7	CANOPY HEATER	25-1	CANOPY DEFOG AND ANTI-ICE
HR8	BATTERY HEATER KIT	9-4	BATTERY AND BATTERY CHARGER
HR8	RH WING PITOT HEATER	25-4	PITOT ANTI-ICE
J1	CONNECTOR	W601 4-1	AREA WEAPON SYSTEM (AWS)
J1	CONNECTOR	W601 13-1	AUXILIARY FUEL

WIRING DIAGRAM DIRECTORY (cont)

REFDES	COMPONENT	CABLE PARAGRAPH	WIRING DIAGRAM
J1 (1A68)	CONNECTOR	W601 19-1	MULTIPLEX
J1 (2A68)	CONNECTOR	W601 3-1	AERIAL ROCKET CONTROL SYSTEM (ARCS)
J1 (2A68)	CONNECTOR	W601 11-1	EXTERNAL STORES CONTROL
J1 (2A68)	CONNECTOR	W601 14-1	HELLFIRE MISSILE
J1 (2A68)	CONNECTOR	W601 19-1	MULTIPLEX
J1 (3A68)	CONNECTOR	W601 3-1	AERIAL ROCKET CONTROL SYSTEM (ARCS)
J1 (3A68)	CONNECTOR	W601 11-1	EXTERNAL STORES CONTROL
J1 (3A68)	CONNECTOR	W601 14-1	HELLFIRE MISSILE
J1 (3A68)	CONNECTOR	W601 19-1	MULTIPLEX
J1 (4A68)	CONNECTOR	W601 3-1	AERIAL ROCKET CONTROL SYSTEM (ARCS)
J1 (4A68)	CONNECTOR	W601 11-1	EXTERNAL STORES CONTROL
J1 (4A68)	CONNECTOR	W601 14-1	HELLFIRE MISSILE
J1 (4A68)	CONNECTOR	W601 19-1	MULTIPLEX
J1 (A1 A402)	CONNECTOR	W668 9-1	AC ELECTRICAL POWER GENERATION
J1 (A10)	CONNECTOR	W118 25-6	FIRE DETECTION AND EXTINGUISHING
J1 (A102)	CONNECTOR	W117 3-1	AERIAL ROCKET CONTROL SYSTEM (ARCS)

WIRING DIAGRAM DIRECTORY (cont)

REFDES	COMPONENT	CABLE	PARAGRAPH	WIRING DIAGRAM
J1 (A102)	CONNECTOR	W117	4-1	AREA WEAPON SYSTEM (AWS)
J1 (A102)	CONNECTOR	W117	11-1	EXTERNAL STORES CONTROL
J1 (A102)	CONNECTOR	W117	14-1	HELLFIRE MISSILE
J1 (A102)	CONNECTOR	W117	17-1	IHADSS
J1 (A102)	CONNECTOR	W117	26-1	SYMBOL GENERATOR
J1 (A102)	CONNECTOR	W117	26-2	VIDEO DISPLAY UNIT (VDU) AND VIDEO RECORDER
J1 (A106)	CONNECTOR	W118	9-18	CAUTION AND WARNING
J1 (A11)	CONNECTOR	W118	25-6	FIRE DETECTION AND EXTINGUISHING
J1 (A110) (ACD)	CONNECTOR	W627	6-1	INTERCOMMUNICATION
J1 (A110) (ACD)	CONNECTOR	W627	6-3	UHF-AM RADIO SET
J1 (A110) (ABD)	CONNECTOR	W627	6-3	UHF-AM RADIO SET
J1 (A110) (ACD)	CONNECTOR	W627	6-4	VHF AM-FM RADIO SET AN/ARC-186 (ADH)
J1 (A110) (ACD)	CONNECTOR	W627	6-5	VHF AM-FM RADIO SET AN/ARC-186 AND AN/ARC-201A (ADI)
J1 (A110) (ABD)	CONNECTOR	W627	6-4	VHF AM-FM RADIO SET AN/ARC-186 (ADH)
J1 (A110) (ABD)	CONNECTOR	W627	6-5	VHF AM-FM RADIO SET AN/ARC-186 AND AN/ARC-201A (ADI)
J1 (A110)	CONNECTOR	W627	9-19	EDGE LIGHTS
J1 (A111)	CONNECTOR	W266	6-1	INTERCOMMUNICATION
J1 (A111)	CONNECTOR	W266	6-3	UHF-AM RADIO SET
J1 (A111)	CONNECTOR	W266	6-4	VHF AM-FM RADIO SET
J1 (A111)	CONNECTOR	W266	9-19	EDGE LIGHTS
J1 (A113)	CONNECTOR	W266	6-2	TSEC/KY-58 COMMUNICATIONS SECURITY EQUIPMENT
J1 (A113)	CONNECTOR	W266	9-19	EDGE LIGHTS
J1 (A114)	CONNECTOR	W261	9-19	EDGE LIGHTS

WIRING DIAGRAM DIRECTORY (cont)

REFDES	COMPONENT	CABLE	PARAGRAPH	WIRING DIAGRAM
J1 (A114)	CONNECTOR	W261	18-1	ENGINE INSTRUMENTS
J1 (A12)	CONNECTOR	W149	25-6	FIRE DETECTION AND EXTINGUISHING
J1 (A120)	CONNECTOR	W118	9-19	EDGE LIGHTS
J1 (A120)	CONNECTOR	W118	9-27	AUDIO WARNING
J1 (A120)	CONNECTOR	W118	21-3	RADAR WARNING SET AN/APR-39(V)1 (ADN) AND AN/APR-39A(V)1 (ADO)
J1 (A120)	CONNECTOR	W118	21-4	LASER DETECTING SET AN/AVR-2A(V)1 (ADP)
J1 (A125)	CONNECTOR	W610	9-1	AC ELECTRICAL POWER GENERATION
J1 (A125)	CONNECTOR	W610	9-3	EXTERNAL POWER AND GROUND SERVICE UTILITY CONNECTOR
J1 (A125)	CONNECTOR	W610	9-4	BATTERY AND BATTERY CHARGER
J1 (A125)	CONNECTOR	W610	9-19	EDGE LIGHTS
J1 (A126)	CONNECTOR	W227	20-8	EGI (ADD)
J1 (A127)	CONNECTOR	W266	20-7	DATA TRANSFER UNIT (ADD)
J1 (A128)	CONNECTOR	W266	20-3A	DOPPLER NAVIGATION AN/137 (ADD)
J1 (A128)	CONNECTOR	W266	20-7	DATA TRANSFER UNIT (ADD)
J1 (A128)	CONNECTOR	W116	20-8	EGI (ADD)
J1 (A129)	CONNECTOR	W227	20-8	EGI (ADD)
J1 (A13)	CONNECTOR	W149	25-6	FIRE DETECTION AND EXTINGUISHING
J1 (A130)	CONNECTOR	W266	6-3	UHF-AM RADIO SET
J1 (A130)	CONNECTOR	W266	9-19	EDGE LIGHTS
J1 (A131)	CONNECTOR	W612	13-1	AUXILIARY FUEL
J1 (A131)	CONNECTOR	W612	13-2	FUEL CROSSFEED/BOOST
J1 (A131)	CONNECTOR	W612	13-3	FUEL QUANTITY INDICATION/TRANSFER
J1 (A131)	CONNECTOR	W612	25-6	FIRE DETECTION AND EXTINGUISHING
J1 (A133)	CONNECTOR	W625	9-19	EDGE LIGHTS

WIRING DIAGRAM DIRECTORY (cont)

REFDES	COMPONENT	CABLE	PARAGRAPH	WIRING DIAGRAM
J1 (A133)	CONNECTOR	W625	9-21	PILOT UTILITY AND SECONDARY LIGHTS
J1 (A133)	CONNECTOR	W625	9-22	ANTI-COLLISION LIGHTS
J1 (A133)	CONNECTOR	W625	9-23	FORMATION LIGHTS
J1 (A133)	CONNECTOR	W625	9-25	NAVIGATION LIGHTS
J1 (A133)	CONNECTOR	W625	20-5	RADARALTIMETER (RADALT) SET
J1 (A133)	CONNECTOR	W625	21-2	RADAR JAMMER AN/ALQ-136
J1 (A134)	CONNECTOR	W266	9-19	EDGE LIGHTS
J1 (A134)	CONNECTOR	W266	9-27	AUDIO WARNING
J1 (A134)	CONNECTOR	W266	16-1	IFF
J1 (A134)	CONNECTOR	W266	21-3	RADAR WARNING SET AN/APR-39(V)1 (ADN) AND AN/APR-39A(V)1 (ADO)
J1 (A134)	CONNECTOR	W266	21-4	LASER DETECTING SET AN/AVR-2A(V)1 (ADP)
J1 (A135)	CONNECTOR	W614	9-19	EDGE LIGHTS
J1 (A135)	CONNECTOR	W614	25-1	CANOPY DEFOG AND ANTI-ICE
J1 (A135)	CONNECTOR	W614	25-2	ENGINE ANTI-ICE
J1 (A135)	CONNECTOR	W614	25-3	ROTOR BLADES DE-ICE
J1 (A135)	CONNECTOR	W614	25-4	PITOT ANTI-ICE
J1 (A135)	CONNECTOR	W614	25-5	WINDSHIELD WIPERS
J1 (A135)	CONNECTOR	W614	25-7	TADS/PNVS ANTI-ICE CONTROLS
J1 (A137)	CONNECTOR	W611	9-19	EDGE LIGHTS
J1 (A137)	CONNECTOR	W611	12-1	DASE (BUCS DEACTIVATED)
J1 (A137)	CONNECTOR	W611	12-2	DASE (BUCS ACTIVATED)
J1 (A137)	CONNECTOR	W611	12-4	STABILATOR
J1 (A138)	CONNECTOR	W616	5-1	AUXILIARY POWER UNIT (APU)

WIRING DIAGRAM DIRECTORY (cont)

REFDES	COMPONENT	CABLE	PARAGRAPH	WIRING DIAGRAM
J1 (A138)	CONNECTOR	W616	9-18	CAUTION AND WARNING
J1 (A138)	CONNECTOR	W616	9-19	EDGE LIGHTS
J1 (A138)	CONNECTOR	W616	25-6	FIRE DETECTION AND EXTINGUISHING
J1 (A140)	CONNECTOR	W117	4-1	AREA WEAPON SYSTEM (AWS)
J1 (A141)	CONNECTOR	W118	9-18	CAUTION AND WARNING
J1 (A145)	CONNECTOR		20-6	AUTOMATIC DIRECTION FINDER (ADF) AN/ARN-149
J1 (A146)	CONNECTOR	W118	13-5	NITROGEN INERTING
J1 (A147)	CONNECTOR	W117	9-10	CIRCUIT PROTECTION (DC ESSENTIAL BUS 1-CPG STATION)
J1 (A147)	CONNECTOR	W117	10-1	ENVIRONMENTAL CONTROL SYSTEM (ECS)
J1 (A148)	CONNECTOR	W119	9-9	CIRCUIT PROTECTION (DC ESSENTIAL BUS 1-PILOT STATION)
J1 (A148)	CONNECTOR	W119	10-1	ENVIRONMENTAL CONTROL SYSTEM (ECS)
J1 (A149)	CONNECTOR	W266	20-6	AUTOMATIC DIRECTION FINDER (ADF) AN/ARN-149
J1 (A15)	CONNECTOR	W164	25-6	FIRE DETECTION AND EXTINGUISHING
J1 (A156)	CONNECTOR	W117	3-1	AERIAL ROCKET CONTROL SYSTEM (ARCS)
J1 (A156)	CONNECTOR	W117	4-1	AREA WEAPON SYSTEM (AWS)
J1 (A156)	CONNECTOR	W117	11-1	EXTERNAL STORES CONTROL
J1 (A156)	CONNECTOR	W117	14-1	HELLFIRE MISSILE
J1 (A156)	CONNECTOR	W117	17-1	IHADSS
J1 (A156)	CONNECTOR	W117	19-1	MULTIPLEX
J1 (A156)	CONNECTOR	W117	24-1	TADS

WIRING DIAGRAM DIRECTORY (cont)

REFDES	COMPONENT	CABLE	PARAGRAPH	WIRING DIAGRAM
J1 (A156)	CONNECTOR	W117	26-1	SYMBOL GENERATOR
J1 (A157)	CONNECTOR	W118	9-18	CAUTION AND WARNING
J1 (A16)	CONNECTOR	W164	25-6	FIRE DETECTION AND EXTINGUISHING
J1 (A166)	CONNECTOR	W211	23-1	POWER PLANTS
J1 (A170)	CONNECTOR	W266	6-1	INTERCOMMUNICATION
J1 (A170)	CONNECTOR	W266	6-3	UHF-AM RADIO SET
J1 (A170)	CONNECTOR	W266	6-4	VHF AM-FM RADIO SET AN/ARC-186 (ADH)
J1 (A170)	CONNECTOR	W266	6-5	VHF AM-FM RADIO SET AN/ARC-186 AND AN/ARC-201A (ADI)
J1 (A170)	CONNECTOR	W266	9-19	EDGE LIGHTS
J1 (A173)	CONNECTOR	W255	9-19	EDGE LIGHTS
J1 (A173)	CONNECTOR	W255	22-1	PNVS
J1 (A173)	CONNECTOR	W255	24-1	TADS
J1 (A173)	CONNECTOR	W255	26-2	VIDEO DISPLAY UNIT (VDU) AND VIDEO RECORDER
J1 (A175)	CONNECTOR	W211	26-2	VIDEO DISPLAY UNIT (VDU) AND VIDEO RECORDER
J1 (A176)	CONNECTOR	W118	25-3	ROTOR BLADES DE-ICE
J1 (A179)	CONNECTOR	W618	9-19	EDGE LIGHTS
J1 (A179)	CONNECTOR	W618	13-2	FUEL CROSSFEED/BOOST
J1 (A179)	CONNECTOR	W618	13-3	FUEL QUANTITY INDICATION/TRANSFER
J1 (A181)	CONNECTOR	W619	9-19	EDGE LIGHTS
J1 (A181)	CONNECTOR	W619	9-20	CPG UTILITY AND SECONDARY LIGHTS
J1 (A2 A402)	CONNECTOR	W668	9-1	AC ELECTRICAL POWER GENERATION
J1 (A20)	CONNECTOR	W118	9-18	CAUTION AND WARNING
J1 (A20)	CONNECTOR	W118	9-19	EDGE LIGHTS
J1 (A20)	CONNECTOR	W118	21-1	IR JAMMER AN/ALQ-144
J1 (A20)	CONNECTOR	W118	21-2	RADAR JAMMER AN/ALQ-136
J1 (A21)	CONNECTOR	W119	21-1	IR JAMMER AN/ALQ-144

WIRING DIAGRAM DIRECTORY (cont)

REFDES	COMPONENT	CABLE	PARAGRAPH	WIRING DIAGRAM
J1(A2156)	CONNECTOR	W672	21-4	LASER DETECTING SET AN/AVR-2A(V)1 (ADP)
J1(A2157)	CONNECTOR	W671	21-4	LASER DETECTING SET AN/AVR-2A(V)1 (ADP)
J1 (A22)	CONNECTOR	W119	21-2	RADAR JAMMER AN/ALQ-136
J1(A2273)	CONNECTOR	W102	21-4	LASER DETECTING SET AN/AVR-2A(V)1 (ADP)
J1(A2378)	CONNECTOR	W672	21-4	LASER DETECTING SET AN/AVR-2A(V)1 (ADP)
J1(A2379)	CONNECTOR	W671	21-4	LASER DETECTING SET AN/AVR-2A(V)1 (ADP)
J1 (A24)	CONNECTOR	W117	9-19	EDGE LIGHTS
J1 (A24)	CONNECTOR	W117	15-1	HYDRAULIC
J1 (A24)	CONNECTOR	W117	23-1	POWER PLANTS
J1 (A29)	CONNECTOR	W119	9-4	BATTERY AND BATTERY CHARGER
J1 (A29)	CONNECTOR	W119	9-19	EDGE LIGHTS
J1 (A29)	CONNECTOR	W119	15-1	HYDRAULIC
J1 (A29)	CONNECTOR	W119	23-1	POWER PLANTS
J1 (A300)	CONNECTOR	W266	6-2	TSEC/KY-58 COMMUNICATIONS SECURITY EQUIPMENT
J1 (A301)	CONNECTOR	W266	9-18	CAUTION AND WARNING
J1 (A301)	CONNECTOR	W266	16-1	IFF
J1 (A308)	CONNECTOR	W261	13-3	FUEL QUANTITY INDICATION/TRANSFER
J1 (A310)	CONNECTOR	W102	20-4	HARS
J1 (A310)	CONNECTOR	W102	20-6	AUTOMATIC DIRECTION FINDER (ADF) AN/ARN-149
J1 (A311)	CONNECTOR	W118	25-3	ROTOR BLADES DE-ICE
J1 (A32)	CONNECTOR	W119	9-18	CAUTION AND WARNING
J1 (A32)	CONNECTOR	W119	25-3	ROTOR BLADES DE-ICE
J1 (A320)	CONNECTOR	W118	9-19	EDGE LIGHTS
J1 (A320)	CONNECTOR	W118	12-1	DASE (BUCS DEACTIVATED)

WIRING DIAGRAM DIRECTORY (cont)

WIRING DIAGRAM DIRECTORY (cont)

REFDES	COMPONENT	CABLE	PARAGRAPH	WIRING DIAGRAM
J1 (A320)	CONNECTOR	W118	12-2	DASE (BUCS ACTIVATED)
J1 (A320)	CONNECTOR	W118	19-1	MULTIPLEX
J1 (A320)	CONNECTOR	W118	26-2	VIDEO DISPLAY UNIT (VDU) AND VIDEO RECORDER
J1 (A323)	CONNECTOR	W642	12-4	STABILATOR
J1 (A323)	CONNECTOR	W642	18-2	NAVIGATION INSTRUMENTS
J1 (A323)	CONNECTOR	W642	20-4	HARS
J1 (A326)	CONNECTOR	W646	3-1	AERIAL ROCKET CONTROL SYSTEM (ARCS)
J1 (A326)	CONNECTOR	W646	9-19	EDGE LIGHTS
J1 (A326)	CONNECTOR	W646	20-3	DOPPLER NAVIGATION AN/ASN-137
J1 (A326)	CONNECTOR	W646	20-5	RADAR ALTIMETER (RADALT) SET
J1 (A329)	CONNECTOR	W651	9-18	CAUTION AND WARNING
J1 (A329)	CONNECTOR	W651	12-4	STABILATOR
J1 (A330)	CONNECTOR	W652	13-2	FUEL CROSSFEED/BOOST
J1 (A330)	CONNECTOR	W652	23-1	POWER PLANTS
J1 (A337)	CONNECTOR	W656	25-2	ENGINE ANTI-ICE
J1 (A342)	CONNECTOR		12-2	DASE (BUCS ACTIVATED)
J1 (A4 A402)	CONNECTOR	W668	9-2	DC ELECTRICAL POWER GENERATION
J1 (A402)	CONNECTOR	W688	3-1	AERIAL ROCKET CONTROL SYSTEM (ARCS)
J1 (A402)	CONNECTOR	W668	4-1	AREA WEAPON SYSTEM (AWS)
J1 (A402)	CONNECTOR	W668	5-1	AUXILIARY POWER UNIT (APU)

REFDES	COMPONENT	CABLE	PARAGRAPH	WIRING DIAGRAM
J1 (A402)	CONNECTOR	W668	9-4	BATTERY AND BATTERY CHARGER
J1 (A402)	CONNECTOR	W668	9-5	CIRCUIT PROTECTION (AC ESSENTIAL BUS 1 - PILOT STATION)
J1 (A402)	CONNECTOR	W668	9-7	CIRCUIT PROTECTION (AC ESSENTIAL Bus 2 - PILOT STATION)
J1 (A402)	CONNECTOR	W668	9-9	CIRCUIT PROTECTION (DC ESSENTIAL Bus 1 - PILOT STATION)
J1 (A402)	CONNECTOR	W668	9-11	CIRCUIT PROTECTION (DC ESSENTIAL BUS 1 - PILOT STATION)
J1 (A402)	CONNECTOR	W668	9-12	CIRCUIT PROTECTION (DC ESSENTIAL BUS 3 - PILOT STATION)
J1 (A402)	CONNECTOR	W668	9-14	CIRCUIT PROTECTION (DC EMERGENCY BUS - PILOT STATION)
J1 (A402)	CONNECTOR	W668	9-16	CIRCUIT PROTECTION (DC GROUND CIRCUIT BREAKERS - PILOT STATION)
J1 (A402)	CONNECTOR	W668	9-18	CAUTION AND WARNING
J1 (A402)	CONNECTOR	W668	9-19	EDGE LIGHTS
J1 (A402)	CONNECTOR	W668	9-22	ANTI-COLLISION LIGHTS
J1 (A402)	CONNECTOR	W668	9-23	FORMATION LIGHTS
J1 (A402)	CONNECTOR	W668	9-25	NAVIGATION LIGHTS
J1 (A402)	CONNECTOR	W668	9-28	SQUAT SWITCH
J1 (A402)	CONNECTOR	W668	10-1	ENVIRONMENTAL CONTROL SYSTEM (ECS)
J1 (A402)	CONNECTOR	W668	11-1	EXTERNAL STORES CONTROL

WIRING DIAGRAM DIRECTORY (cont)

<u>REFDES</u>	<u>COMPONENT</u>	<u>CABLE</u>	<u>PARAGRAPH</u>	<u>WIRING DIAGRAM</u>
J1 (A402)	CONNECTOR	W668	11-2	EXTERNAL STORES JETTISON
J1 (A402)	CONNECTOR	W668	12-1	DASE (BUCS DEACTIVATED)
J1 (A402)	CONNECTOR	W668	12-2	DASE (BUCS ACTIVATED)
J1 (A402)	CONNECTOR	W668	12-4	STABILATOR
J1 (A402)	CONNECTOR	W668	13-2	FUEL CROSSFEED/BOOST
J1 (A402)	CONNECTOR	W668	14-1	HELLFIRE MISSILE
J1 (A402)	CONNECTOR	W668	15-1	HYDRAULIC
J1 (A402)	CONNECTOR	W668	15-2	PRESSURIZED AIR SYSTEM (PAS)
J1 (A402)	CONNECTOR	W668	17-1	IHADSS
J1 (A402)	CONNECTOR	W668	18-2	NAVIGATION INSTRUMENTS
J1 (A402)	CONNECTOR	W668	19-1	MULTIPLEX
J1 (A402)	CONNECTOR	W668	20-2	DOPPLER NAVIGATION AN/ASN-128
J1 (A402)	CONNECTOR	W668	20-3	DOPPLER NAVIGATION AN/ASN-137 (ADC)
J1 (A402)	CONNECTOR	W668	20-3A	DOPPLER NAVIGATION AN/ASN-137 (ADD)
J1 (A402)	CONNECTOR	W668	20-4	HARS
J1 (A402)	CONNECTOR	W668	20-6	AUTOMATIC DIRECTION FINDER (ADF) AN/ARN-149
J1 (A402)	CONNECTOR	W668	21-1	IR JAMMER AN/ALQ-144
J1 (A402)	CONNECTOR	W668	21-2	RADAR JAMMER AN/ALQ-136
J1 (A402)	CONNECTOR	W668	23-1	POWER PLANTS
J1 (A402)	CONNECTOR	W668	252	ENGINE ANTI-ICE
J1 (A402)	CONNECTOR	W668	25-3	ROTOR BLADES DE-ICE
J1 (A402)	CONNECTOR	W668	25-4	PITOT ANTI-ICE
J1 (A402)	CONNECTOR	W668	25-7	TADS/PNVS ANTI-ICE CONTROL

WIRING DIAGRAM DIRECTORY (cont)

<u>REFDES</u>	<u>COMPONENT</u>	<u>CABLE</u>	<u>PARAGRAPH</u>	<u>WIRING DIAGRAM</u>
J1 (A402)	CONNECTOR	W668	26-1	SYMBOL GENERATOR
J1 (A402)	CONNECTOR	W668	26-2	VIDEO DISPLAY UNIT (VDU) AND VIDEO RECORDER
J1 (A403)	CONNECTOR	W119	4-1	AREA WEAPON SYSTEM (AWS)
J1 (A403)	CONNECTOR	W119	9-18	CAUTION AND WARNING
J1 (A403)	CONNECTOR	W119	9-19	EDGE LIGHTS
J1 (A403)	CONNECTOR	W119	25-6	FIRE DETECTION AND EXTINGUISHING
J1 (A403)	CONNECTOR	W119	26-2	VIDEO DISPLAY UNIT (VDU) AND VIDEO RECORDER
J1 (A404)	CONNECTOR	W117	3-1	AERIAL ROCKET CONTROL SYSTEM (ARCS)
J1 (A404)	CONNECTOR	W117	9-19	EDGE LIGHTS
J1 (A405)	CONNECTOR	W117	3-1	AERIAL ROCKET CONTROL SYSTEM (ARCS)
J1 (A417)	CONNECTOR	W622	2-1	AIR DATA SYSTEM (ADS)
J1 (A417)	CONNECTOR	W622	9-19	EDGE LIGHTS
J1 (A417)	CONNECTOR	W622	10-1	ENVIRONMENTAL CONTROL SYSTEM (ECS)
J1 (A417)	CONNECTOR	W622	19-1	MULTIPLEX
J1 (A417)	CONNECTOR	W622	25-5	WINDSHIELD WIPERS
J1 (A417)	CONNECTOR	W622	25-7	TADS/PNVS ANTI-ICE CONTROLS
J1 (A418)	CONNECTOR	W170	8-1	DRIVE SYSTEM
J1 (A419)	CONNECTOR	W170	8-1	DRIVE SYSTEM
J1 (A422)	CONNECTOR	W647	9-19	EDGE LIGHTS
J1 (A423)	CONNECTOR	W255	9-19	EDGE LIGHTS
J1 (A43)	CONNECTOR	W119	10-1	ENVIRONMENTAL CONTROL SYSTEM (ECS)

WIRING DIAGRAM DIRECTORY (cont)

REFDES	COMPONENT	CABLE	PARAGRAPH	WIRING DIAGRAM
J1 (A48)	CONNECTOR	W119	9-18	CAUTION AND WARNING
J1 (A48)	CONNECTOR	W119	25-1	CANOPY DEFOG AND ANTI-ICE
J1 (A5)	CONNECTOR	W119	23-1	POWER PLANTS
J1 (A502)	CONNECTOR	W116	14-1	HELLFIRE MISSILE
J1 (A504)	CONNECTOR	W117	9-19	EDGE LIGHTS
J1 (A504)	CONNECTOR	W117	14-1	HELLFIRE MISSILE
J1 (A504)	CONNECTOR	W117	19-1	MULTIPLEX
J1 (A506)	CONNECTOR	W255	9-19	EDGE LIGHTS
J1 (A506)	CONNECTOR	W255	14-1	HELLFIRE MISSILE
J1 (A506)	CONNECTOR	W255	19-1	MULTIPLEX
J1 (A507)	CONNECTOR	W255	9-19	EDGE LIGHTS
J1 (A507)	CONNECTOR	W255	14-1	HELLFIRE MISSILE
J1 (A507)	CONNECTOR	W255	19-1	MULTIPLEX
J1 (A512)	CONNECTOR	W266	6-2	TSEC/KY-58 COMMUNICATIONS SECURITY EQUIPMENT
J1 (A512)	CONNECTOR	W266	6-4	VHF AM-FM RADIO SET AN/ARC-186 (ADH)
J1 (A512)	CONNECTOR	W266	9-19	EDGE LIGHTS
J1 (A513)	CONNECTOR	W266	6-4	VHF AM-FM RADIO SET AN/ARC-186 (ADH)
J1 (A513)	CONNECTOR	W266	9-19	EDGE LIGHTS
J1 (A514)	CONNECTOR	W266	6-5	VHF AM-FM RADIO SET AN/ARC-186 AND AN/ARC-201A (ADI)
J1 (A517)	CONNECTOR	W261	9-19	EDGE LIGHTS
J1 (A517)	CONNECTOR	W261	18-1	ENGINE INSTRUMENTS
J1 (A518)	CONNECTOR	W261	18-1	ENGINE INSTRUMENTS
J1 (A53)	CONNECTOR	W118	21-3	RADAR WARNING SET AN/APR-39(V)1 (ADN) AND AN/APR-39A(V)1 (ADO)
J1 (A53)	CONNECTOR	W118	21-4	LASER DETECTING SET AN/AVR-2A(V)1 (ADP)
J1 (A55)	CONNECTOR	W102	21-3	RADAR WARNING SET AN/APR-39(V)1 (ADN) AND AN/APR-39A(V)1 (ADO)

WIRING DIAGRAM DIRECTORY (cont)

REFDES	COMPONENT	CABLE	PARAGRAPH	WIRING DIAGRAM
J1 (A55)	CONNECTOR	W670	21-4	LASER DETECTING SET AN/AVR-2A(V)1 (ADP)
J1 (A57)	CONNECTOR	W608	13-4	PRESSURE REFUELING/DEFUELING
J1 (A58)	CONNECTOR	W215	13-3	FUEL QUANTITY INDICATION/TRANSFER
J1 (A58)	CONNECTOR	W215	13-4	PRESSURE REFUELING/DEFUELING
J1 (A59)	CONNECTOR	W214	13-3	FUEL QUANTITY INDICATION/TRANSFER
J1 (A59)	CONNECTOR	W214	13-4	PRESSURE REFUELING/DEFUELING
J1 (A6)	CONNECTOR	W102	5-1	AUXILIARY POWER UNIT (APU)
J1 (A6)	CONNECTOR	W102	9-18	CAUTION AND WARNING
J1 (A600)	CONNECTOR	W116	17-1	IHADSS
J1 (A601)	CONNECTOR	W116	17-1	IHADSS
J1 (A606)	CONNECTOR	W262	17-1	IHADSS
J1 (A607)	CONNECTOR	W262	17-1	IHADSS
J1 (A608)	CONNECTOR	W262	17-1	IHADSS
J1 (A609)	CONNECTOR	W262	17-1	IHADSS
J1 (A61)	CONNECTOR	W255	3-1	AERIAL ROCKET CONTROL SYSTEM (ARCS)
J1 (A61)	CONNECTOR	W255	4-1	AREA WEAPON SYSTEM (AWS)
J1 (A61)	CONNECTOR	W255	14-1	HELLFIRE MISSILE
J1 (A61)	CONNECTOR	W255	17-1	IHADSS
J1 (A61)	CONNECTOR	W255	19-1	MULTIPLEX
J1 (A61)	CONNECTOR	W255	22-1	PNVS
J1 (A61)	CONNECTOR	W255	24-1	TADS
J1 (A61)	CONNECTOR	W255	25-7	TADS/PNVS ANTI-ICE CONTROLS

WIRING DIAGRAM DIRECTORY (cont)

REFDES	COMPONENT	CABLE	PARAGRAPH	WIRING DIAGRAM
J1 (A61)	CONNECTOR	W255	26-2	VIDEO DISPLAY UNIT (VDU) AND VIDEO RECORDER
J1 (A612)	CONNECTOR	W116	17-1	IHADSS
J1 (A613)	CONNECTOR	W116	17-1	IHADSS
J1 (A613)	CONNECTOR	W116	22-1	PNVS
J1 (A613)	CONNECTOR	W116	26-1	SYMBOL GENERATOR
J1 (A62)	CONNECTOR	W116	3-1	AERIAL ROCKET CONTROL SYSTEM (ARCS)
J1 (A62)	CONNECTOR	W116	4-1	AREA WEAPON SYSTEM (AWS)
J1 (A62)	CONNECTOR	W116	11-1	EXTERNAL STORES CONTROL
J1 (A62)	CONNECTOR	W116	14-1	HELLFIRE MISSILE
J1 (A62)	CONNECTOR	W116	17-1	IHADSS
J1 (A62)	CONNECTOR	W116	19-1	MULTIPLEX
J1 (A62)	CONNECTOR	W116	20-5	RADAR ALTIMETER (RADALT) SET
J1 (A62)	CONNECTOR	W116	22-1	PNVS
J1 (A624)	CONNECTOR	W116	19-1	MULTIPLEX
J1 (A626)	CONNECTOR	W255	22-1	PNVS
J1 (A626)	CONNECTOR	W255	24-1	TADS
J1 (A626)	CONNECTOR	W255	26-1	SYMBOL GENERATOR
J1 (A626)	CONNECTOR	W255	26-2	VIDEO DISPLAY UNIT (VDU) AND VIDEO RECORDER
J1 (A628)	CONNECTOR	W255	22-1	PNVS
J1 (A629)	CONNECTOR	W255	22-1	PNVS
J1 (A63)	CONNECTOR	W117	3-1	AERIAL ROCKET CONTROL SYSTEM (ARCS)

WIRING DIAGRAM DIRECTORY (cont)

REFDES	COMPONENT	CABLE	PARAGRAPH	WIRING DIAGRAM
J1 (A63)	CONNECTOR	W117	4-1	AREA WEAPON SYSTEM (AWS)
J1 (A63)	CONNECTOR	W117	14-1	HELLFIRE MISSILE
J1 (A63)	CONNECTOR	W117	17-1	IHADSS
J1 (A63)	CONNECTOR	W117	19-1	MULTIPLEX
J1 (A63)	CONNECTOR	W117	24-1	TADS
J1 (A632)	CONNECTOR	W255	24-1	TADS
J1 (A632)	CONNECTOR	W255	26-1	SYMBOL GENERATOR
J1 (A633)	CONNECTOR	W255	24-1	TADS
J1 (A634)	CONNECTOR		24-1	TADS
J1 (A635)	CONNECTOR	W255	9-19	EDGE LIGHTS
J1 (A635)	CONNECTOR	W255	17-1	IHADSS
J1 (A635)	CONNECTOR	W255	24-1	TADS
J1 (A637)	CONNECTOR	W211	12-4	STABILATOR
J1 (A638)	CONNECTOR	W211	12-4	STABILATOR
J1 (A656)	CONNECTOR	W119	23-1	POWER PLANTS
J1 (A659)	CONNECTOR	W266	9-19	EDGE LIGHTS
J1 (A659)	CONNECTOR	W266	20-3	DOPPLER NAVIGATION AN/ASN-137 (ADC)
J1 (A659)	CONNECTOR	W266	20-3A	DOPPLER NAVIGATION AN/ASN-137 (ADD)
J1 (A69)	CONNECTOR	W211	2-1	AIR DATA SYSTEM (ADS)
J1 (A69)	CONNECTOR	W211	5-1	AUXILIARY POWER UNIT (APU)
J1 (A69)	CONNECTOR	W211	12-1	DASE (BUCS DEACTIVATED)

WIRING DIAGRAM DIRECTORY (cont)

REFDES	COMPONENT	CABLE	PARAGRAPH	WIRING DIAGRAM
J1 (A69)	CONNECTOR	W211	12-2	DASE (BUCS ACTIVATED)
J1 (A69)	CONNECTOR	W211	12-4	STABILATOR
J1 (A69)	CONNECTOR	W211	20-4	HARS
J1 (A69)	CONNECTOR	W211	25-3	ROTOR BLADES DE-ICE
J1 (A69)	CONNECTOR	W211	26-2	VIDEO DISPLAY UNIT (VDU) AND VIDEO RECORDER
J1 (A695)	CONNECTOR	W119	25-3	ROTOR BLADES DE-ICE
J1 (A697)	CONNECTOR	W119	25-6	FIRE DETECTION AND EXTINGUISHING
J1 (A698)	CONNECTOR	W118	25-6	FIRE DETECTION AND EXTINGUISHING
J1 (A699)	CONNECTOR	W118	25-6	FIRE DETECTION AND EXTINGUISHING
J1 (A7)	CONNECTOR	W143	7-1	CHAFF DISPENSER
J1 (A700)	CONNECTOR	W119	21-2	RADAR JAMMER AN/ALQ-136
J1 (A709)	CONNECTOR	W119	23-1	POWER PLANTS
J1 (A76)	CONNECTOR	W605	3-1	AERIAL ROCKET CONTROL SYSTEM (ARCS)
J1 (A76)	CONNECTOR	W605	4-1	AREA WEAPON SYSTEM (AWS)
J1 (A76)	CONNECTOR	W605	5-1	AUXILIARY POWER UNIT (APU)
J1 (A76)	CONNECTOR	W605	6-1	INTERCOMMUNICATION
J1 (A76)	CONNECTOR	W605	6-2	TSEC/KY-58 COMMUNICATIONS SECURITY EQUIPMENT
J1 (A76)	CONNECTOR	W605	6-3	UHF-AM RADIO SET
J1 (A76)	CONNECTOR	W605	6-4	VHF AM-FM RADIO SET AN/AC-186 (ADH)
J1 (A76)	CONNECTOR	W605	6-5	VHF AM-FM RADIO SET AN/AC-186 AND AN/ARC-201A (ADI)
J1 (A76)	CONNECTOR	W605	7-1	CHAFF DISPENSER

WIRING DIAGRAM DIRECTORY (cont)

REFDES	COMPONENT	CABLE	PARAGRAPH	WIRING DIAGRAM
J1 (A76)	CONNECTOR	W605	8-1	DRIVE SYSTEM
J1 (A76)	CONNECTOR	W605	9-14	CIRCUIT PROTECTION (DC EMERGENCY BUS - PILOT STATION)
J1 (A76)	CONNECTOR	W605	9-18	CAUTION AND WARNING
J1 (A76)	CONNECTOR	W605	9-19	EDGE LIGHTS
J1 (A76)	CONNECTOR	W605	9-21	PILOT UTILITY AND SECONDARY LIGHTS
J1 (A76)	CONNECTOR	W605	9-24	LANDING/SEARCH LIGHT
J1 (A76)	CONNECTOR	W605	9-27	AUDIO WARNING
J1 (A76)	CONNECTOR	W605	9-28	SQUAT SWITCH
J1 (A76)	CONNECTOR	W605	11-1	EXTERNAL STORES CONTROL
J1 (A76)	CONNECTOR	W605	11-2	EXTERNAL STORES JETTISON
J1 (A76)	CONNECTOR	W605	12-1	DASE BUCS DEACTIVATED)
J1 (A76)	CONNECTOR	W605	12-2	DASE (BUCS ACTIVATED)
J1 (A76)	CONNECTOR	W605	12-3	FORCE TRIM
J1 (A76)	CONNECTOR	W605	12-4	STABILATOR
J1 (A76)	CONNECTOR	W605	13-4	PRESSURE REFUELING/DEFUELING
J1 (A76)	CONNECTOR	W605	14-1	HELLFIRE MISSILE
J1 (A76)	CONNECTOR	W605	15-1	HYDRAULIC
J1 (A76)	CONNECTOR	W605	16-1	IFF
J1 (A76)	CONNECTOR	W605	18-1	ENGINE INSTRUMENTS
J1 (A76)	CONNECTOR	W605	20-1	AUTOMATIC DIRECTION FINDER (ADF) AN/ARN-89
J1 (A76)	CONNECTOR	W605	20-4	HARS

WIRING DIAGRAM DIRECTORY (cont)

REFDES	COMPONENT	CABLE	PARAGRAPH	WIRING DIAGRAM
J1 (A76)	CONNECTOR	W605	20-5	RADAR ALTIMETER (RADALT) SET
J1 (A76)	CONNECTOR	W605	20-7	DATA TRANSFER UNIT (ADD)
J1 (A76)	CONNECTOR	W605	20-8	EGI (ADD)
J1 (A76)	CONNECTOR	W605	21-3	RADAR WARNING SET AN/APR-39(V)1 (ADN) AND AN/APR-39A(V)1 (ADO)
J1 (A76)	CONNECTOR	W673	21-4	LASER DETECTING SET AN/AVR-2A(V)1 (ADP)
J1 (A76)	CONNECTOR	W605	23-1	POWER PLANTS
J1 (A76)	CONNECTOR	W605	25-4	PITOT ANTI-ICE
J1 (A76)	CONNECTOR	W605	25-6	FIRE DETECTION AND EXTINGUISHING
J1 (A77)	CONNECTOR	W621	6-1	INTERCOMMUNICATION
J1 (A77)	CONNECTOR	W621	6-4	VHF AM-FM RADIO SET AN/ARC-186 (ADH)
J1 (A77)	CONNECTOR	W621	6-5	VHF AM-FM RADIO SET AN/ARC-186 AND AN/ARC-201A (ADI)
J1 (A77)	CONNECTOR	W621	8-1	DRIVE SYSTEM
J1 (A77)	CONNECTOR	W621	9-6	CIRCUIT PROTECTION (AC ESSENTIAL BUS 1-CPG STATION)
J1 (A77)	CONNECTOR	W621	9-8	CIRCUIT PROTECTION (AC ESSENTIAL BUS 2 - CPG STATION)
J1 (A77)	CONNECTOR	W621	9-15	CIRCUIT PROTECTION (DC EMERGENCY BUS - CPG STATION)
J1 (A77)	CONNECTOR	W621	9-18	CAUTION AND WARNING
J1 (A77)	CONNECTOR	W621	9-19	EDGE LIGHTS
J1 (A77)	CONNECTOR	W261	9-20	CPG UTILITY AND SECONDARY LIGHTS
J1 (A77)	CONNECTOR	W621	18-1	ENGINE INSTRUMENTS
J1 (A77)	CONNECTOR	W621	18-2	NAVIGATION INSTRUMENTS
J1 (A78)	CONNECTOR	W613	9-19	EDGE LIGHTS

WIRING DIAGRAM DIRECTORY (cont)

REFDES	COMPONENT	CABLE	PARAGRAPH	WIRING DIAGRAM
J1 (A78)	CONNECTOR	W613	23-1	POWER PLANTS
J1 (A9)	CONNECTOR	W261	8-1	DRIVE SYSTEM
J1 (A9)	CONNECTOR	W261	9-18	CAUTION AND WARNING
J1 (A9)	CONNECTOR	W261	9-27	AUDIO WARNING
J1 (A9)	CONNECTOR	W261	12-4	STABILATOR
J1 (A9)	CONNECTOR	W261	18-1	ENGINE INSTRUMENTS
J1 (A9)	CONNECTOR	W261	23-1	POWER PLANTS
J1 (A94)	CONNECTOR	W617	9-19	EDGE LIGHTS
J1 (A94)	CONNECTOR	W617	11-2	EXTERNAL STORES JETTISON
J1 (A97)	CONNECTOR	W615	9-6	CIRCUIT PROTECTION (AC ESSENTIAL BUS 1-CPG STATION)
J1 (A97)	CONNECTOR	W615	9-10	CIRCUIT PROTECTION (DC ESSENTIAL BUS 1-CPG STATION)
J1 (A97)	CONNECTOR	W615	24-1	TADS
J1 (A99)	CONNECTOR	W118	7-1	CHAFF DISPENSER
J1 (AR1)	CONNECTOR	W118	25-6	FIRE DETECTION AND EXTINGUISHING
J1 (AR2)	CONNECTOR	W118	25-6	FIRE DETECTION AND EXTINGUISHING
J1 (A99)	CONNECTOR	W118	9-19	EDGE LIGHTS
J1 (AR3)	CONNECTOR	W119	25-6	FIRE DETECTION AND EXTINGUISHING
J1 (B2)	CONNECTOR	W108	10-1	ENVIRONMENTAL CONTROL SYSTEM (ECS)
J1 (B4)	CONNECTOR	W119	25-5	WINDSHIELD WIPERS
J1 (B5)	CONNECTOR	W119	25-5	WINDSHIELD WIPERS
J1 (BT1)	CONNECTOR	W108	9-4	BATTERY AND BATTERY CHARGER
J1 (BT2)	CONNECTOR	W108	9-4	BATTERY AND BATTERY CHARGER
J1 (BT2)	CONNECTOR	W108	9-18	CAUTION AND WARNING

WIRING DIAGRAM DIRECTORY (cont)

REFDES	COMPONENT	CABLE	PARAGRAPH	WIRING DIAGRAM
J1 (DS8)	CONNECTOR	W155	9-22	ANTI-COLLISION LIGHTS
J1 (DS9)	CONNECTOR	W156	9-22	ANTI-COLLISION LIGHTS
J1 (E310) (ACR)	CONNECTOR		16-1	IFF
J1 (E323)	CONNECTOR	W205	21-2	RADAR JAMMER AN/ALQ-136
J1 (E324)	CONNECTOR	W204	21-2	RADAR JAMMER AN/ALQ-136
J1 (E360)	CONNECTOR	W266	20-6	AUTOMATIC DIRECTION FINDER (ADF) AN/ARN-149
J1 (E502)	CONNECTOR	W480	20-8	EGI (ADD)
J1 (EQ300)	CONNECTOR	W266	6-1	INTERCOMMUNICATION
J1 (EQ300)	CONNECTOR	W266	6-3	UHF-AM RADIO SET
J1 (EQ300)	CONNECTOR	W266	6-4	VHF AM-FM RADIO SET AN/ARC-186 (ADH)
J1 (EQ300)	CONNECTOR	W266	6-5	VHF AM-FM RADIO SET AN/ARC-186 AND AN/ARC-201A (ADI)
J1 (EQ300)	CONNECTOR	W266	9-27	AUDIO WARNING
J1 (G1)	CONNECTOR	W119	9-1	AC ELECTRICAL POWER GENERATION
J1 (G2)	CONNECTOR	W118	9-1	AC ELECTRICAL POWER GENERATION
J1 (HP2)	CONNECTOR	W102	15-1	HYDRAULIC
J1 (HP3)	CONNECTOR	W102	5-1	AUXILIARY POWER UNIT (APU)
J1 (HP6)	CONNECTOR	W102	15-1	HYDRAULIC
J1 (HR6)	CONNECTOR	W102	25-4	PITOT ANTI-ICE
J1 (HR8)	CONNECTOR	W102	25-4	PITOT ANTI-ICE
J1 (K1)	CONNECTOR	W668	9-1	AC ELECTRICAL POWER GENERATION
J1 (K1)	CONNECTOR	W668	9-3	EXTERNAL POWER AND GROUND SERVICE UTILITY CONNECTOR
J1 (K2)	CONNECTOR	W668	9-1	AC ELECTRICAL POWER GENERATION
J1 (K2)	CONNECTOR	W668	9-3	EXTERNAL POWER AND GROUND SERVICE UTILITY CONNECTOR

WIRING DIAGRAM DIRECTORY (cont)

REFDES	COMPONENT	CABLE	PARAGRAPH	WIRING DIAGRAM
J1 (K8)	CONNECTOR		20-3A	NAVIGATION DOPPLER AN/ASN-137 (ADD)
J1 (K9)	CONNECTOR		20-3A	NAVIGATION DOPPLER AN/ASN-137 (ADD)
J1 (L1)	CONNECTOR	W119	13-2	FUEL CROSSFEED/BOOST
J1 (L11)	CONNECTOR	W119	25-6	FIRE DETECTION AND EXTINGUISHING
J1 (L12)	CONNECTOR	W102	25-6	FIRE DETECTION AND EXTINGUISHING
J1 (L13)	CONNECTOR	W102	5-1	AUXILIARY POWER UNIT (APU)
J1 (L13)	CONNECTOR	W102	15-2	PRESSURIZED AIR SYSTEM (PAS)
J1 (L14)	CONNECTOR	W119	13-1	AUXILIARY FUEL
J1 (L17)	CONNECTOR	W268	13-4	PRESSURE REFUEL/DEFUEL
J1 (L2)	CONNECTOR	W102	13-2	FUEL CROSSFEED/BOOST
J1 (L20)	CONNECTOR	W268	5-1	AUXILIARY POWER UNIT
J1 (L3)	CONNECTOR	W268	13-3	FUEL QUANTITY INDICATION/TRANSFER
J1 (L38)	CONNECTOR	W119	10-1	ENVIRONMENTAL CONTROL SYSTEM (ECS)
J1 (LA)	CONNECTOR	W158	13-1	AUXILIARY FUEL
J1 (L44)	CONNECTOR	W268	5-1	AUXILIARY POWER UNIT (APU)
J1 (L48)	CONNECTOR	W268	13-4	PRESSURE REFUELING/DEFUELING
J1 (L5)	CONNECTOR	W157	13-1	AUXILIARY FUEL
J1 (L50)	CONNECTOR	W119	25-3	ROTOR BLADES DE-ICE
J1 (LW GSE)	CONNECTOR		6-1	INTERCOMMUNICATION
J1 (M1)	CONNECTOR	W261	9-19	EDGE LIGHTS
J1 (M1 A57)	CONNECTOR	W268	13-4	PRESSURE REFUELING/DEFUELING
J1 (M1)	CONNECTOR	W261	18-1	ENGINE INSTRUMENTS
J1 (M17)	CONNECTOR	W261	9-19	EDGE LIGHTS
J1 (M17)	CONNECTOR	W261	13-3	FUEL QUANTITY INDICATION/TRANSFER

WIRING DIAGRAM DIRECTORY (cont)

REFDES	COMPONENT	CABLE	PARAGRAPH	WIRING DIAGRAM
J1 (M17)	CONNECTOR	W261	18-1	ENGINE INSTRUMENTS
J1 (M19)	CONNECTOR	W119	9-19	EDGE LIGHTS
J1 (M2)	CONNECTOR	W261	9-19	EDGE LIGHTS
J1 (M2)	CONNECTOR	W261	18-1	ENGINE INSTRUMENTS
J1 (M29)	CONNECTOR	W118	9-19	EDGE LIGHTS
J1 (M3)	CONNECTOR	W261	9-19	EDGE LIGHTS
J1 (M3)	CONNECTOR	W261	18-1	ENGINE INSTRUMENTS
J1 (M30)	CONNECTOR	W118	9-19	EDGE LIGHTS
J1 (M30)	CONNECTOR	W118	18-2	NAVIGATION INSTRUMENTS
J1 (M30)	CONNECTOR	W118	20-4	HARS
J1 (M300)	CONNECTOR	W266	20-5	RADAR ALTIMETER (RADALT) SET
J1 (M301)	CONNECTOR	W266	9-19	EDGE LIGHTS
J1 (M301)	CONNECTOR	W266	16-1	IFF
J1 (M302)	CONNECTOR	W119	9-19	EDGE LIGHTS
J1 (M303)	CONNECTOR	W118	9-19	EDGE LIGHTS
J1 (M303)	CONNECTOR	W118	18-2	NAVIGATION INSTRUMENTS
J1 (M303)	CONNECTOR	W118	20-2	DOPPLER NAVIGATION AN/ASN-128
J1 (M303)	CONNECTOR	W118	20-3	DOPPLER NAVIGATION AN/ASN-137
J1 (M303)	CONNECTOR	W118	20-4	HARS
J1 (M305)	CONNECTOR	W118	9-19	EDGE LIGHTS
J1 (M309)	CONNECTOR	W266	9-19	EDGE LIGHTS

WIRING DIAGRAM DIRECTORY (cont)

REFDES	COMPONENT	CABLE	PARAGRAPH	WIRING DIAGRAM
J1 (M309)	CONNECTOR	W266	20-5	RADAR ALTIMETER (RADALT) SET
J1 (M313)	CONNECTOR	W118	9-19	EDGE LIGHTS
J1 (M313)	CONNECTOR	W118	18-2	NAVIGATION INSTRUMENTS
J1 (M313)	CONNECTOR	W118	20-1	AUTOMATIC DIRECTION FINDER (ADF) AN/ARN-89
J1 (M313)	CONNECTOR	W118	20-4	HARS
J1 (M4)	CONNECTOR	W261	9-19	EDGE LIGHTS
J1 (M4)	CONNECTOR	W261	18-1	ENGINE INSTRUMENTS
J1 (M51)	CONNECTOR	W119	9-19	EDGE LIGHTS
J1 (M51)	CONNECTOR	W119	12-4	STABILATOR
J1 (M52)	CONNECTOR	W118	9-19	EDGE LIGHTS
J1 (M52)	CONNECTOR	W118	12-4	STARILATOR
J1 (M6)	CONNECTOR	W261	9-18	CAUTION/WARNING
J1 (M6)	CONNECTOR	W261	9-19	EDGE LIGHTS
J1 (M6)	CONNECTOR	W261	18-1	ENGINE INSTRUMENTS
J1 (M7)	CONNECTOR	W261	9-19	EDGE LIGHTS
J1 (M7)	CONNECTOR	W261	18-1	ENGINE INSTRUMENTS
J1 (MS)	CONNECTOR	W261	9-19	EDGE LIGHTS
J1 (M8)	CONNECTOR	W261	18-1	ENGINE INSTRUMENTS
J1 (M9)	CONNECTOR	W261	9-19	EDGE LIGHTS
J1 (M9)	CONNECTOR	W261	18-1	ENGINE INSTRUMENTS
J1 (MT17)	CONNECTOR	W261	12-4	STARILATOR
J1 (MT18)	CONNECTOR	W102	12-4	STABILATOR
J1 (PS1)	CONNECTOR	W668	9-2	DC ELECTRICAL POWER GENERATION

WIRING DIAGRAM DIRECTORY (cont)

REFDES	COMPONENT	CABLE	PARAGRAPH	WIRING DIAGRAM
J1 (PS2)	CONNECTOR	W668	9-2	DC ELECTRICAL POWER GENERATION
J1 (PS3)	CONNECTOR	W255	19-1	MULTIPLEX
J1 (PS3)	CONNECTOR	W255	26-2	VIDEO DISPLAY UNIT (VDU) AND VIDEO RECORDER
J1 (PS5)	CONNECTOR	W119	9-22	ANTI-COLLISION LIGHTS
J1 (RE306)	CONNECTOR	W176	21-3	RADAR WARNING SET AN/APR-39(V)1 (ADN) AND AN/APR-39A(V)1 (ADO)
J1 (RE306)	CONNECTOR	W176	21-4	LASER DETECTING SET AN/AVR-2A(V)1 (ADP)
J1 (RE307)	CONNECTOR	W178	21-3	RADAR WARNING SET AN/APR-39(V)1 (ADN) AND AN/APR-39A(V)1 (ADO)
J1 (RE307)	CONNECTOR	W178	21-4	LASER DETECTING SET AN/AVR-2A(V)1 (ADP)
J1 (RW GSE)	CONNECTOR		6-1	INTERCOMMUNICATION
J1 (S132)	CONNECTOR	W102	5-1	AUXILIARY POWER UNIT (APU)
J1 (S132)	CONNECTOR	W102	15-2	PRESSURIZED AIR SYSTEM (PAS)
J1 (S64)	CONNECTOR	W268	13-4	PRESSURE REFUELING/DEFUELING
J1 (S65)	CONNECTOR	W118	13-4	PRESSURE REFUELING/DEFUELING
J1 (T11)	CONNECTOR	W117	19-1	MULTIPLEX
J1 (T12)	CONNECTOR	W116	19-1	MULTIPLEX
J1 (T13)	CONNECTOR	W117	19-1	MULTIPLEX
J1 (T14)	CONNECTOR	W116	19-1	MULTIPLEX
J1 (T15)	CONNECTOR	W117	19-1	MULTIPLEX
J1 (T16)	CONNECTOR	W116	19-1	MULTIPLEX
J1 (T17)	CONNECTOR	W117	19-1	MULTIPLEX
J1 (T18)	CONNECTOR	W116	19-1	MULTIPLEX
J1 (T19)	CONNECTOR	W117	19-1	MULTIPLEX
J1 (T20)	CONNECTOR	W116	19-1	MULTIPLEX
J1 (T21)	CONNECTOR	W117	19-1	MULTIPLEX

WIRING DIAGRAM DIRECTORY (cont)

REFDES	COMPONENT	CABLE	PARAGRAPH	WIRING DIAGRAM
J1 (T22)	CONNECTOR	W116	19-1	MULTIPLEX
J1 (T25)	CONNECTOR	W117	19-1	MULTIPLEX
J1 (T26)	CONNECTOR	W116	19-1	MULTIPLEX
J1 (T27)	CONNECTOR	W117	19-1	MULTIPLEX
J1 (T28)	CONNECTOR	W116	19-1	MULTIPLEX
J1 (T29)	CONNECTOR	W117	19-1	MULTIPLEX
J1 (T30)	CONNECTOR	W116	19-1	MULTIPLEX
J1 (T31)	CONNECTOR	W117	19-1	MULTIPLEX
J1 (T32)	CONNECTOR	W116	19-1	MULTIPLEX
J1 (T35)	CONNECTOR	W117	19-1	MULTIPLEX
J1 (T36)	CONNECTOR	W116	19-1	MULTIPLEX
J1 (T69)	CONNECTOR	W266	20-3	DOPPLER NAVIGATION AN/ASN-137 (ADC)
J1 (T69)	CONNECTOR	W266	20-3A	DOPPLER NAVIGATION AN/ASN-137 (ADD)
J1 (T70)	CONNECTOR	W266	20-3	DOPPLER NAVIGATION AN/ASN-137 (ADC)
J1 (T70)	CONNECTOR	W266	20-3A	DOPPLER NAVIGATION AN/ASN-137 (ADD)
J1 (T71)	CONNECTOR	W266	20-3	DOPPLER NAVIGATION AN/ASN-137 (ADC)
J1 (T71)	CONNECTOR	W266	20-3A	DOPPLER NAVIGATION AN/ASN-137 (ADD)
J1 (T72)	CONNECTOR	W266	20-3	DOPPLER NAVIGATION AN/ASN-137 (ADC)
J1 (T72)	CONNECTOR	W266	20-3A	DOPPLER NAVIGATION AN/ASN-137 (ADD)
J1 MAIN ROTOR 1	CONNECTOR		25-3	ROTOR BLADES DE-ICE
J1 MAIN ROTOR 2	CONNECTOR		25-3	ROTOR BLADES DE-ICE
J1 MAIN ROTOR 3	CONNECTOR		25-3	ROTOR BLADES DE-ICE
J1 MAIN ROTOR 4	CONNECTOR		25-3	ROTOR BLADES DE-ICE
J1 SP1 (SR1)	SPLICE		25-3	ROTOR BLADES DE-ICE
J1 SP2 (SR1)	SPLICE		25-3	ROTOR BLADES DE-ICE

WIRING DIAGRAM DIRECTORY (cont)

REFDES	COMPONENT	CABLE	PARAGRAPH	WIRING DIAGRAM
J10 (A326)	CONNECTOR	W646	12-1	DASE (BUCS DEACTIVATED)
J10 (A326)	CONNECTOR	W646	12-2	DASE (BUCS ACTIVATED)
J10 (A326)	CONNECTOR	W646	12-4	STABILATOR
J10 (A402)	CONNECTOR	W668	9-5	CIRCUIT PROTECTION (AC ESSENTIAL BUS 1- PILOT STATION)
J10 (A402)	CONNECTOR	W668	9-12	CIRCUIT PROTECTION (DC ESSENTIAL BUS 3 - PILOT STATION)
J10 (A402)	CONNECTOR	W668	14-1	HELLFIRE MISSILE
J10 (A402)	CONNECTOR	W668	22-1	PNVS
J10 (APU)	CONNECTOR		5-1	AUXILIARY POWER UNIT (APU)
J101 (E314)	CONNECTOR		6-3	UHF-AM RADIO SET
J101 (E314)	CONNECTOR		16-1	IFF
J1012	CONNECTOR	W171	9-23	FORMATION LIGHTS
J1012	CONNECTOR	W171	9-25	NAVIGATION LIGHTS
J1012	CONNECTOR	W171	21-3	RADAR WARNING SET AN/APR-39(V)1 (ADN) AND AN/APR-39A(V)1 (ADO)
J1012	CONNECTOR	W171	21-4	LASER DETECTING SET AN/AVR-2A(V)1 (ADP)
J1019	CONNECTOR	W266	6-5	VHF AM-FM RADIO SET AN/ARC-186 AND AN/ARC-201A (ADI)
J102 (E314) (ACQ)	CONNECTOR		16-1	IFF
J1034	CONNECTOR		25-3	ROTOR BLADES DE-ICE
J1035	CONNECTOR		25-3	ROTOR BLADES DE-ICE
J1036	CONNECTOR		25-3	ROTOR BLADES DE-ICE
J1039	CONNECTOR	W119	9-19	EDGE LIGHTS
J1039	CONNECTOR	W119	9-20	CPG UTILITY AND SECONDARY LIGHTS
J1039	CONNECTOR	W119	25-6	FIRE DETECTION AND EXTINGUISHING

WIRING DIAGRAM DIRECTORY (cont)

REFDES	COMPONENT	CABLE	PARAGRAPH	WIRING DIAGRAM
J1039 SP1	SPLICE	W119	9-20	CPG UTILITY AND SECONDARY LIGHTS
J1039 SP2	SPLICE	W119	9-20	CPG UTILITY AND SECONDARY LIGHTS
J1039 SP3	SPLICE	W119	9-20	CPG UTILITY AND SECONDARY LIGHTS
J1041 (A85)	CONNECTOR	W117	4-1	AREA WEAPON SYSTEM (AWS)
J1047	CONNECTOR	W118	12-3	FORCE TRIM
J1048	CONNECTOR	W119	12-3	FORCE TRIM
J1049	CONNECTOR	W118	12-3	FORCE TRIM
J1058	CONNECTOR	W117	4-1	AREA WEAPON SYSTEM (AWS)
J1058 EC 1	END CONNECTION	W117	4-1	AREA WEAPON SYSTEM (AWS)
J1058 EC 2	END CONNECTION	W117	4-1	AREA WEAPON SYSTEM (AWS)
J1058 SP1	SPLICE	W117	4-1	AREA WEAPON SYSTEM (AWS)
J1058 SP2	SPLICE	W117	4-1	AREA WEAPON SYSTEM (AWS)
J1058 SP3	SPLICE	W117	4-1	AREA WEAPON SYSTEM (AWS)
J1058 SP4	SPLICE	W117	4-1	AREA WEAPON SYSTEM (AWS)
J1058 SP6	SPLICE	W117	4-1	AREA WEAPON SYSTEM (AWS)
J1058 SP7	SPLICE	W117	4-1	AREA WEAPON SYSTEM (AWS)
J1059 (A141)	CONNECTOR	W117	4-1	AREA WEAPON SYSTEM (AWS)
J107	CONNECTOR	W119	9-19	EDGE LIGHTS
J107	CONNECTOR	W119	9-24	LANDING/SEARCH LIGHT

WIRING DIAGRAM DIRECTORY (cont)

REFDES	COMPONENT	CABLE	PARAGRAPH	WIRING DIAGRAM
J107	CONNECTOR	W119	11-2	EXTERNAL STORES JETTISON
J107	CONNECTOR	W119	17-1	IHADSS
J107	CONNECTOR	W119	19-1	MULTIPLEX
J107	CONNECTOR	W119	23-1	POWER PLANTS
J107 SP1	SPLICE	W119	11-2	EXTERNAL STORES JETTISON
J107 SP2	SPLICE	W119	11-2	EXTERNAL STORES JETTISON
J107 SP3	SPLICE	W119	11-2	EXTERNAL STORES JETTISON
J1074	CONNECTOR	W116	14-1	HELLFIRE MISSILE
J1075	CONNECTOR	W117	14-1	HELLFIRE MISSILE
J1076	CONNECTOR	W170	12-4	STABILATOR
J108	CONNECTOR	W119	9-19	EDGE LIGHTS
J108	CONNECTOR	W119	9-24	LANDING/SEARCH LIGHTS
J108	CONNECTOR	W119	11-2	EXTERNAL STORES JETTISON
J108	CONNECTOR	W119	12-1	DASE (BUCS DEACTIVATED)
J108	CONNECTOR	W119	12-2	DASE (BUCS ACTIVATED)
J108	CONNECTOR	W119	19-1	MULTIPLEX
J108	CONNECTOR	W119	17-1	IHADSS
J108	CONNECTOR	W119	23-1	POWER PLANTS
J108 SP1	SPLICE	W119	11-2	EXTERNAL STORES JETTISON
J108 SP2	SPLICE	W119	11-2	EXTERNAL STORES JETTISON
J1080 (A510)	CONNECTOR	W636	4-1	AREA WEAPON SYSTEM (AWS)

WIRING DIAGRAM DIRECTORY (cont)

REFDES	COMPONENT	CABLE	PARAGRAPH	WIRING DIAGRAM
J11 (A326)	CONNECTOR	W646	9-19	EDGE LIGHTS
J11 (A402)	CONNECTOR	W668	9-17	CIRCUIT PROTECTION (DC GROUND CIRCUIT BREAKERS - CPG STATION)
J11 (A402)	CONNECTOR	W668	12-3	FORCE TRIM
J11 (A402)	CONNECTOR	W668	14-1	HELLFIRE MISSILE
J1106	CONNECTOR	W674	21-4	LASER DETECTING SET AN/AVR-2A(V)1 (ADP)
J111 (AFT)	CONNECTOR	W108	9-26	MAINTENANCE LIGHTS
J112 (FWD)	CONNECTOR	W118	9-26	MAINTENANCE LIGHTS
J112 SP1	SPLICE	W118	9-26	MAINTENANCE LIGHTS
J112 SP1	SPLICE	W118	22-1	PNVS
J113	CONNECTOR	W117	3-1	AERIAL ROCKET CONTROL SYSTEM (ARCS)
J113	CONNECTOR	W117	4-1	AREA WEAPON SYSTEM (AWS)
J113	CONNECTOR	W117	6-1	INTERCOMMUNICATION
J113	CONNECTOR	W117	6-3	UHF-AM RADIO SET
J113	CONNECTOR	W117	6-4	VHF AM-FM RADIO SET AN/ARC-186 (ADH)
J113	CONNECTOR	W117	6-5	VHF AM-FM RADIO SET AN/ARC-186 AND AN/ARC-201A (ADI)
J113	CONNECTOR	W117	7-1	CHAFF DISPENSER
J113	CONNECTOR	W117	11-1	EXTERNAL STORES CONTROL
J113	CONNECTOR	W117	12-1	DASE (BUCS DEACTIVATED)
J113	CONNECTOR	W117	12-2	DASE (BUCS ACTIVATED)
J113	CONNECTOR	W117	12-3	FORCE TRIM
J113	CONNECTOR	W117	14-1	HELLFIRE MISSILE
J113	CONNECTOR	W117	19-1	MULTIPLEX
J113 SP1	SPLICE	W117	6-3	UHF-AM RADIO SET
J113 SP1	SPLICE	W117	6-4	VHF AM-FM RADIO SET AN/ARC-186 (ADH)
J113 SP1	SPLICE	W117	6-5	VHF AM-FM RADIO SET AN/ARC-186 AND AN/ARC-201A (ADI)

WIRING DIAGRAM DIRECTORY (cont)

REFDES	COMPONENT	CABLE	PARAGRAPH	WIRING DIAGRAM
J113 SP2	SPLICE	W117	6-1	INTERCOMMUNICATION
J113 SP3	SPLICE	W117	6-3	UHF-AM RADIO SET
J113 SP3	SPLICE	W117	6-4	VHF AM-FM RADIO SET AN/ARC-186 (ADH)
J113 SP3	SPLICE	W117	6-5	VHF AM-FM RADIO SET AN/ARC-186 AND AN/ARC-201A (ADI)
J113 SP4	SPLICE	W117	6-1	INTERCOMMUNICATION
J113 SP5	SPLICE	W117	6-1	INTERCOMMUNICATION
J113 SP6	SPLICE	W117	6-1	INTERCOMMUNICATION
J115	CONNECTOR	W119	9-22	ANTI-COLLISION LIGHTS
J115	CONNECTOR	W119	9-23	FORMATION LIGHTS
J115	CONNECTOR	W119	9-25	NAVIGATION LIGHTS
J115	CONNECTOR	W119	25-4	PITOT ANTI-ICE
J116	CONNECTOR	W118	9-22	ANTI-COLLISION LIGHTS
J116	CONNECTOR	W118	9-23	FORMATION LIGHTS
J116	CONNECTOR	W118	9-25	NAVIGATION LIGHTS
J116	CONNECTOR	W118	25-4	PITOT ANTI-ICE
J118	CONNECTOR	W255	3-1	AERIAL ROCKET CONTROL SYSTEM (ARCS)
J118	CONNECTOR	W255	4-1	AREA WEAPON SYSTEM (AWS)
J118	CONNECTOR	W255	6-1	INTERCOMMUNICATION
J118	CONNECTOR	W255	7-1	CHAFF DISPENSER
J118	CONNECTOR	W255	11-1	EXTERNAL STORES CONTROL
J118	CONNECTOR	W255	12-1	DASE (BUCS DEACTIVATED)
J118	CONNECTOR	W255	12-2	DASE (BUCS ACTIVATED)
J118	CONNECTOR	W255	12-3	FORCE TRIM
J118	CONNECTOR	W255	14-1	HELLFIRE MISSILE

WIRING DIAGRAM DIRECTORY (cont)

REFDES	COMPONENT	CABLE	PARAGRAPH	WIRING DIAGRAM
J118 SP2	SPLICE	W255	3-1	AERIAL ROCKET CONTROL SYSTEM (ARCS)
J118 SP2	SPLICE	W255	4-1	AREA WEAPON SYSTEM (AWS)
J118 SP2	SPLICE	W255	11-1	EXTERNAL STORES CONTROL
J118 SP2	SPLICE	W255	14-1	HELLFIRE MISSILE
J118 SP2	SPLICE	W255	24-1	TADS
J118 SP3	SPLICE	W255	3-1	AERIAL ROCKET CONTROL SYSTEM (ARCS)
J118 SP3	SPLICE	W255	4-1	AREA WEAPON SYSTEM (AWS)
J118 SP3	SPLICE	W255	14-1	HELLFIRE MISSILE
J118 SP3	SPLICE	W255	24-1	TADS
J12 (A326)	CONNECTOR	W646	9-19	EDGE LIGHTS
J12 (A402)	CONNECTOR	W668	3-1	AERIAL ROCKET CONTROL SYSTEM (ARCS)
J12 (A402)	CONNECTOR	W668	7-1	CHAFF DISPENSER
J12 (A402)	CONNECTOR	W668	9-5	CIRCUIT PROTECTION (AC ESSENTIAL BUS 1 - PILOT STATION)
J12 (A402)	CONNECTOR	W668	9-12	CIRCUIT PROTECTION (DC ESSENTIAL BUS 3 - PILOT STATION)
J12 (A402)	CONNECTOR	W668	13-1	AUXILIARY FUEL
J12 (A402)	CONNECTOR	W668	19-1	MULTIPLEX
J12 (A402)	CONNECTOR	W668	26-1	SYMBOL GENERATOR
J124	CONNECTOR	W170	8-1	DRIVE SYSTEM
J124	CONNECTOR	W170	9-18	CAUTION AND WARNING
J124	CONNECTOR	W170	9-23	FORMATION LIGHTS

WIRING DIAGRAM DIRECTORY (cont)

REFDES	COMPONENT	CABLE	PARAGRAPH	WIRING DIAGRAM
J124	CONNECTOR	W170	9-25	NAVIGATION LIGHTS
J124	CONNECTOR	W170	21-3	RADAR WARNING SET AN/APR-39(V)1 (ADN) AND AN/APR-39A(V)1 (ADO)
J124	CONNECTOR	W170	21-4	LASER DETECTING SET AN/AVR-2A(V)1 (ADP)
J124	CONNECTOR	W170	25-3	ROTOR BLADES DE-ICE
J124 SP1	SPLICE	W170	8-1	DRIVE SYSTEM
J124 SP2	SPLICE	W170	8-1	DRIVE SYSTEM
J124 SP3	SPLICE	W170	25-3	ROTOR BLADES DE-ICE
J124 SP4	SPLICE	W170	25-3	ROTOR BLADES DE-ICE
J13 (A326)	CONNECTOR	W646	9-19	EDGE LIGHTS
J13 (A326)	CONNECTOR	W646	9-24	LANDING/SEARCH LIGHT
J13 (A402)	CONNECTOR	W668	3-1	AERIAL ROCKET CONTROL SYSTEM (ARCS)
J13 (A402)	CONNECTOR	W668	4-1	AREA WEAPON SYSTEM (AWS)
J13 (A402)	CONNECTOR	W668	13-1	AUXILIARY FUEL
J13 (A402)	CONNECTOR	W668	14-1	HELLFIRE MISSILE
J13 (A402)	CONNECTOR	W668	19-1	MULTIPLEX
J13 (A402)	CONNECTOR	W668	20-4	HARS
J131	CONNECTOR	W102	2-1	AIR DATA SYSTEM (ADS)
J1373	CONNECTOR		20-6	AUTOMATIC DIRECTION FINDER (ADF) AN/ARN-149
J1304	CONNECTOR	W227	20-8	EGI (ADD)
J14	EXTERNAL POWER RECEPTACLE	W108	9-3	EXTERNAL POWER AND GROUND SERVICE UTILITY CONNECTOR
J14 (A326)	CONNECTOR	W646	9-18	CAUTION AND WARNING
J14 (A326)	CONNECTOR	W646	9-19	EDGE LIGHTS
J14 (A326)	CONNECTOR	W646	9-24	LANDING/SEARCH LIGHTS
J14 (A326)	CONNECTOR	W646	10-1	ENVIRONMENTAL CONTROL SYSTEM (ECS)
J14 (A326)	CONNECTOR	W646	12-4	STABILATOR

WIRING DIAGRAM DIRECTORY (cont)

REFDES	COMPONENT	CABLE	PARAGRAPH	WIRING DIAGRAM
J14 (A402)	CONNECTOR	W668	3-1	AERIAL ROCKET CONTROL SYSTEM (ARCS)
J14 (A402)	CONNECTOR	W668	4-1	AREA WEAPON SYSTEM (AWS)
J14 (A402)	CONNECTOR	W668	9-11	CIRCUIT PROTECTION (DC ESSENTIAL BUS 1- PILOT STATION)
J14 (A402)	CONNECTOR	W668	9-28	SQUAT SWITCH
J14 (A402)	CONNECTOR	W668	11-1	EXTERNAL STORES CONTROL
J14 (A402)	CONNECTOR	W668	14-1	HELLFIRE MISSILE
J14 (A402)	CONNECTOR	W668	19-1	MULTIPLEX
J143	CONNECTOR	W255	26-1	SYMBOL GENERATOR
J143	CONNECTOR	W255	26-2	VIDEO DISPLAY UNIT (VDU) AND VIDEO RECORDER
J1439 (ACR)	CONNECTOR	W187	16-1	IFF
J1441 (ACR)	ADAPTER		16-1	IFF
J15 (A326)	CONNECTOR	W646	12-1	DASE (BUCS DEACTIVATED)
J15 (A326)	CONNECTOR	W646	12-2	DASE (BUCS ACTIVATED)
J15 (A326)	CONNECTOR	W646	12-4	STABILATOR
J15 (A402)	CONNECTOR	W668	8-1	DRIVE SYSTEM
J15 (A402)	CONNECTOR	W668	9-11	CIRCUIT PROTECTION (DC ESSENTIAL BUS 1- PILOT STATION)
J15 (A402)	CONNECTOR	W668	9-18	CAUTION AND WARNING
J15 (A402)	CONNECTOR	W668	13-4	PRESSURE REFUELING/DEFUELING
J15 (A402)	CONNECTOR	W668	18-2	NAVIGATION INSTRUMENTS
J15 (A402)	CONNECTOR	W668	20-1	AUTOMATIC DIRECTION FINDER (ADF) AN/ARN-89
J15 (A402)	CONNECTOR	W668	20-4	HARS

WIRING DIAGRAM DIRECTORY (cont)

REFDES	COMPONENT	CABLE	PARAGRAPH	WIRING DIAGRAM
J15 (A402)	CONNECTOR	W668	21-1	IR JAMMER AN/ALQ-144
J15 (A402)	CONNECTOR	W668	21-2	RADAR JAMMER AN/ALQ-136
J15 (A402)	CONNECTOR	W668	23-1	POWER PLANTS
J15 (A402)	CONNECTOR	W668	25-2	ENGINE ANTI-ICE
J15 (A402)	CONNECTOR	W688	25-3	ROTOR BLADES DE-ICE
J15 (A402)	CONNECTOR	W668	25-6	FIRE DETECTION AND EXTINGUISHING
J16	EXTERNAL POWER RECEPTACLE	W118	5-1	AUXILIARY POWER UNIT (APU)
J16	EXTERNAL POWER RECEPTACLE	W118	9-3	EXTERNAL POWER AND GROUND SERVICE UTILITY CONNECTOR
J16 (A326)	CONNECTOR	W646	9-18	CAUTION AND WARNING
J16 (A326)	CONNECTOR	W646	9-19	EDGE LIGHTS
J16 (A326)	CONNECTOR	W646	10-1	ENVIRONMENTAL CONTROL SYSTEM (ECS)
J16 (A402)	CONNECTOR	W668	5-1	AUXILIARY POWER UNIT (APU)
J16 (A402)	CONNECTOR	W668	9-1	AC ELECTRICAL POWER GENERATION
J16 (A402)	CONNECTOR	W668	9-2	DC ELECTRICAL POWER GENERATION
J16 (A402)	CONNECTOR	W668	9-4	BATTERY AND BATTERY CHARGER
J16 (A402)	CONNECTOR	W668	9-11	CIRCUIT PROTECTION (DC ESSENTIAL BUS 1-PILOT STATION)
J16 (A402)	CONNECTOR	W668	9-18	CAUTION AND WARNING
J16 (A402)	CONNECTOR	W668	9-23	FORMATION LIGHTS
J16 (A402)	CONNECTOR	W668	13-3	FUEL QUANTITY INDICATION/TRANSFER

WIRING DIAGRAM DIRECTORY (cont)

REFDES	COMPONENT	CABLE	PARAGRAPH	WIRING DIAGRAM
J16 (A402)	CONNECTOR	W668	13-4	PRESSURE REFUELING/DEFUELING
J16 (A402)	CONNECTOR	W668	15-1	HYDRAULIC
J16 (A402)	CONNECTOR	W668	15-2	PRESSURIZED AIR SYSTEM (PAS)
J16 (A402)	CONNECTOR	W668	18-2	NAVIGATION INSTRUMENTS
J16 (A402)	CONNECTOR	W668	20-4	HARS
J16 (A402)	CONNECTOR	W668	25-2	ENGINE ANTI-ICE
J161	CONNECTOR	W119	9-19	EDGE LIGHTS
J164	CONNECTOR	W118	9-18	CAUTION AND WARNING
J166	CONNECTOR	W118	9-18	CAUTION AND WARNING
J168	CONNECTOR	W119	9-20	CPG UTILITY AND SECONDARY LIGHTS
J17 (A326)	CONNECTOR	W646	6-2	TSEC/KY-58 COMMUNICATIONS SECURITY EQUIPMENT
J17 (A326)	CONNECTOR	W646	6-4	VHF AM-FM RADIO SET AN/ARC-186 (ADH)
J17 (A326)	CONNECTOR	W646	6-5	VHF AM-FM RADIO SET AN/ARC-186 AND AN/ARC-201A (ADI)
J17 (A326)	CONNECTOR	W646	9-18	CAUTION AND WARNING
J17 (A326)	CONNECTOR	W646	9-19	EDGE LIGHTS
J17 (A326)	CONNECTOR	W646	20-3	DOPPLER NAVIGATION AN/ASN-137
J17 (A402)	CONNECTOR	W668	9-1	AC ELECTRICAL POWER GENERATION
J17 (A402)	CONNECTOR	W668	9-5	CIRCUIT PROTECTION (AC ESSENTIAL BUS 1-PILOT STATION)
J17 (A402)	CONNECTOR	W668	11-1	EXTERNAL STORES CONTROL
J17 (A402)	CONNECTOR	W668	11-2	EXTERNAL STORES JETTISON

WIRING DIAGRAM DIRECTORY (cont)

REFDES	COMPONENT	CABLE	PARAGRAPH	WIRING DIAGRAM
J17 (A402)	CONNECTOR	W668	13-1	AUXILIARY FUEL
J17 (A402)	CONNECTOR	W668	17-1	IHADSS
J17 (A402)	CONNECTOR	W668	19-1	MULTIPLEX
J17 (A402)	CONNECTOR	W668	20-4	HARS
J17 (EQ300)	CONNECTOR	W266	6-2	TSEC/KY-58 COMMUNICATIONS SECURITY EQUIPMENT
J177	CONNECTOR	W119	9-18	CAUTION AND WARNING
J177	CONNECTOR	W119	9-19	EDGE LIGHTS
J177	CONNECTOR	W119	10-1	ENVIRONMENTAL CONTROL SYSTEM (ECS)
J177 SP1	SPLICE	W119	9-18	CAUTION AND WARNING
J177 SP1	SPLICE	W119	10-1	ENVIRONMENTAL CONTROL SYSTEM (ECS)
J18 (A326)	CONNECTOR	W646	8-1	DRIVE SYSTEM
J18 (A326)	CONNECTOR	W646	9-18	CAUTION AND WARNING
J18 (A326)	CONNECTOR	W646	9-27	AUDIO WARNING
J18 (A326)	CONNECTOR	W646	18-1	ENGINE INSTRUMENTS
J18 (A402)	CONNECTOR	W668	5-1	AUXILIARY POWER UNIT (APU)
J18 (A402)	CONNECTOR	W668	7-1	CHAFF DISPENSER
J18 (A402)	CONNECTOR	W668	9-1	AC ELECTRICAL POWER GENERATION
J18 (A402)	CONNECTOR	W668	9-11	CIRCUIT PROTECTION (DC ESSENTIAL BUS 1- PILOT STATION)
J18 (A402)	CONNECTOR	W668	12-3	FORCE TRIM
J18 (A402)	CONNECTOR	W668	25-6	FIRE DETECTION AND EXTINGUISHING
J19 (A326)	CONNECTOR	W646	18-1	ENGINE INSTRUMENTS
J19 (A402)	CONNECTOR	W668	9-5	CIRCUIT PROTECTION (AC ESSENTIAL BUS 1- PILOT STATION)
J19 (A402)	CONNECTOR	W668	25-2	ENGINE ANTI-ICE
J19 (A402)	CONNECTOR	W668	25-4	PITOT ANTI-ICE
J2 (A102)	CONNECTOR	W117	3-1	AERIAL ROCKET CONTROL SYSTEM (ARCS)

WIRING DIAGRAM DIRECTORY (cont)

REFDES	COMPONENT	CABLE	PARAGRAPH	WIRING DIAGRAM
J2 (A102)	CONNECTOR	W117	4-1	AREA WEAPON SYSTEM (AWS)
J2 (A102)	CONNECTOR	W117	9-19	EDGE LIGHTS
J2 (A102)	CONNECTOR	W117	14-1	HELLFIRE MISSILE
J2 (A102)	CONNECTOR	W117	17-1	IHADSS
J2 (A102)	CONNECTOR	W117	19-1	MULTIPLEX
J2 (A102)	CONNECTOR	W117	22-1	PNVS
J2 (A102)	CONNECTOR	W117	26-1	SYMBOL GENERATOR
J2 (A106)	CONNECTOR	W118	9-18	CAUTION AND WARNING
J2 (A106)	CONNECTOR	W118	9-19	EDGE LIGHTS
J2 (A111)	CONNECTOR	W266	6-1	INTERCOMMUNICATION
J2 (A111)	CONNECTOR	W266	6-3	UHF-AM RADIO SET
J2 (A111)	CONNECTOR	W266	6-4	VHF AM-FM RADIO SET AN/ARC-186 (ADH)
J2 (A111)	CONNECTOR	W266	6-5	VHF AM-FM RADIO SET AN/ARC-186 AND AN/ARC-201A (ADI)
J2 (A111)	CONNECTOR	W266	9-27	AUDIO WARNING
J2 (A126)	CONNECTOR	W266	20-8	EGI (ADD)
J2 (A127)	CONNECTOR	W266	20-7	DATA TRANSFER UNIT (ADD)
J2 (A128)	CONNECTOR	W266	20-3A	DOPPLER NAVIGATION AN/ASN-137 (ADD)
J2 (A128)	CONNECTOR	W266	20-7	DATA TRANSFER UNIT (ADD)
J2 (A128)	CONNECTOR		20-8	EGI (ADD)
J2 (A130)	CONNECTOR	W190	6-3	UHF-AM RADIO SET
J2 (A131)	CONNECTOR	W612	9-18	CAUTION AND WARNING
J2 (A131)	CONNECTOR	W612	9-19	EDGE LIGHTS
J2 (A131)	CONNECTOR	W612	13-2	FUEL CROSSFEED/BOOST
J2 (A131)	CONNECTOR	W612	13-3	FUEL QUANTITY INDICATION/TRANSFER
J2 (A131)	CONNECTOR	W612	13-4	PRESSURE REFUELING/DEFUELING

WIRING DIAGRAM DIRECTORY (cont)

REFDES	COMPONENT	CABLE	PARAGRAPH	WIRING DIAGRAM
J2 (A141)	CONNECTOR	W118	9-18	CAUTION AND WARNING
J2 (A156)	CONNECTOR	W255	3-1	AERIAL ROCKET CONTROL SYSTEM (ARCS)
J2 (A156)	CONNECTOR	W255	4-1	AREA WEAPON SYSTEM (AWS)
J2 (A156)	CONNECTOR	W255	9-19	EDGE LIGHTS
J2 (A156)	CONNECTOR	W255	11-1	EXTERNAL STORES CONTROL
J2 (A156)	CONNECTOR	W255	14-1	HELLFIRE MISSILE
J2 (A156)	CONNECTOR	W255	17-1	IHADSS
J2 (A156)	CONNECTOR	W255	19-1	MULTIPLEX
J2 (A156)	CONNECTOR	W255	26-1	SYMBOL GENERATOR
J2 (A156)	CONNECTOR	W255	26-2	VIDEO DISPLAY UNIT (VDU) AND VIDEO RECORDER
J2 (A157)	CONNECTOR	W118	9-18	CAUTION AND WARNING
J2 (A157)	CONNECTOR	W118	9-19	EDGE LIGHTS
J2 (A170)	CONNECTOR	W266	6-1	INTERCOMMUNICATION
J2 (A170)	CONNECTOR	W266	6-3	UHF-AM RADIO SET
J2 (A170)	CONNECTOR	W266	6-4	VHF AM-FM RADIO SET AN/ARC-186 (ADH)
J2 (A170)	CONNECTOR	W266	6-5	VHF AM-FM RADIO SET AN/ARC-186 AND AN/ARC-201A (ADI)
J2 (A170)	CONNECTOR	W266	9-27	AUDIO WARNING
J2 (A175)	CONNECTOR	W211	26-2	VIDEO DISPLAY UNIT (VDU) AND VIDEO RECORDER
J2 (A21)	CONNECTOR	W118	21-1	IR JAMMER AN/ALQ-144
J2 (A22)	CONNECTOR	W119	21-2	RADAR JAMMER AN/ALQ-136
J2 (A2273)	CONNECTOR	W670	21-4	LASER DETECTING SET AN/AVR-2A(V)1
J2 (A300)	CONNECTOR	W266	6-2	TSEC/KY-58 COMMUNICATIONS SECURITY EQUIPMENT

WIRING DIAGRAM DIRECTORY (cont)

REFDES	COMPONENT	CABLE	PARAGRAPH	WIRING DIAGRAM
J2 (A300)	CONNECTOR	W266	6-4	VHF AM-FM RADIO SET AN/ARC-186 (ADH)
J2 (A170)	CONNECTOR	W266	6-5	VHF AM-FM RADIO SET AN/ARC-186 AND AN/ARC-201A (ADI)
J2 (A310)	CONNECTOR	W211	20-4	HARS
J2 (A311)	CONNECTOR	W118	9-18	CAUTION AND WARNING
J2 (A311)	CONNECTOR	W118	25-3	ROTOR BLADES DE-ICE
J2 (A32)	CONNECTOR	W119	25-3	ROTOR BLADES DE-ICE
J2 (A320)	CONNECTOR	W255	26-1	SYMBOL GENERATOR
J2 (A320)	CONNECTOR	W255	26-2	VIDEO DISPLAY UNIT (VDU) AND VIDEO RECORDER
J2 (A323)	CONNECTOR	W642	12-4	STABILATOR
J2 (A326)	CONNECTOR	W646	9-18	CAUTION AND WARNING
J2 (A326)	CONNECTOR	W646	9-27	AUDIO WARNING
J2 (A326)	CONNECTOR	W646	12-4	STABILATOR
J2 (A326)	CONNECTOR	W646	18-1	ENGINE INSTRUMENTS
J2 (A326)	CONNECTOR	W646	23-1	POWER PLANTS
J2 (A330)	CONNECTOR	W652	13-2	FUEL CROSSFEED/BOOST
J2 (A330)	CONNECTOR	W652	23-1	POWER PLANTS
J2 (A342)	CONNECTOR	W211	12-2	DASE (BUCS ACTIVATED)
J2 (A342)	CONNECTOR	W211	12-4	STABILATOR
J2 (A402)	CONNECTOR	W668	2-1	AIR DATA SYSTEM (ADS)
J2 (A402)	CONNECTOR	W668	4-1	AREA WEAPON SYSTEM (AWS)
J2 (A402)	CONNECTOR	W668	9-4	BATTERY AND BATTERY CHARGER
J2 (A402)	CONNECTOR	W668	9-5	CIRCUIT PROTECTION (AC ESSENTIAL BUS 1-PILOT STATION)

WIRING DIAGRAM DIRECTORY (cont)

REFDES	COMPONENT	CABLE	PARAGRAPH	WIRING DIAGRAM
J2 (A402)	CONNECTOR	W668	9-7	CIRCUIT PROTECTION (AC ESSENTIAL BUS 2 - PILOT STATION)
J2 (A402)	CONNECTOR	W668	9-9	CIRCUIT PROTECTION (DC ESSENTIAL BUS 1- PILOT STATION)
J2 (A402)	CONNECTOR	W668	9-11	CIRCUIT PROTECTION (DC ESSENTIAL BUS 1- PILOT STATION)
J2 (A402)	CONNECTOR	W668	9-12	CIRCUIT PROTECTION (DC ESSENTIAL BUS 3 - PILOT STATION)
J2 (A402)	CONNECTOR	W668	10-1	ENVIRONMENTAL CONTROL SYSTEM (ECS)
J2 (A402)	CONNECTOR	W668	11-1	EXTERNAL STORES CONTROL
J2 (A402)	CONNECTOR	W668	12-4	STABILATOR
J2 (A402)	CONNECTOR	W668	13-1	AUXILIARY FUEL
J2 (A402)	CONNECTOR	W668	13-3	FUEL QUANTITY INDICATION/TRANSFER
J2 (A402)	CONNECTOR	W668	21-1	IR JAMMER AN/ALQ-144
J2 (A402)	CONNECTOR	W668	22-1	PNVS
J2 (A402)	CONNECTOR	W668	25-2	ENGINE ANTI-ICE
J2 (A402)	CONNECTOR	W688	25-4	PITOT ANTI-ICE
J2 (A402)	CONNECTOR	W668	25-5	WINDSHIELD WIPERS
J2 (A403)	CONNECTOR	W119	4-1	AREA WEAPON SYSTEM (AWS)
J2 (A403)	CONNECTOR	W119	6-4	VHF AM-FM RADIO SET AN/ARC-186 (ADH)
J2 (A403)	CONNECTOR	W119	6-5	VHF AM-FM RADIO SET AN/ARC-186 AND AN/ARC-201A (ADI)
J2 (A403)	CONNECTOR	W119	7-1	CHAFF DISPENSER
J2 (A403)	CONNECTOR	W119	9-18	CAUTION AND WARNING
J2 (A403)	CONNECTOR	W119	9-19	EDGE LIGHTS
J2 (A403)	CONNECTOR	W119	15-1	HYDRAULIC
J2 (A403)	CONNECTOR	W119	21-3	RADAR WARNING SET AN/APR-39(V)1 (ADN) AND AN/APR-39A(V)1 (ADO)
J2 (A403)	CONNECTOR	W119	21-4	LASER DETECTING SET AN/AVR-2A(V)1 (ADP)
J2 (A403)	CONNECTOR	W119	23-1	POWER PLANTS

WIRING DIAGRAM DIRECTORY (cont)

REFDES	COMPONENT	CABLE	PARAGRAPH	WIRING DIAGRAM
J2 (A403)	CONNECTOR	W119	25-2	ENGINE ANTI-ICE
J2 (A403)	CONNECTOR	W119	25-3	ROTOR BLADES DE-ICE
J2 (A403)	CONNECTOR	W119	25-6	FIRE DETECTION AND EXTINGUISHING
J2 (A405)	CONNECTOR	W601	3-1	AERIAL ROCKET CONTROL SYSTEM (ARCS)
J2 (A48)	CONNECTOR	W119	25-1	CANOPY DEFOG AND ANTI-ICE
J2 (A502)	CONNECTOR	W116	14-1	HELLFIRE MISSILE
J2 (A502)	CONNECTOR	W116	19-1	MULTIPLEX
J2 (A512)	CONNECTOR	W266	6-2	TSEC/KY-58 COMMUNICATION SECURITY EQUIPMENT
J2 (A512)	CONNECTOR	W266	6-4	VHF AM-FM RADIO SET AN/ARC-186 (ADH)
J2 (A513)	CONNECTOR	W266	6-4	VHF AM-FM RADIO SET AN/ARC-186 (ADH)
J2 (A513)	CONNECTOR	W266	6-4	VHF AM-FM RADIO SET AN/ARC-186 AND AN/ARC-201A (ADI)
J2 (A514)	CONNECTOR	W266	6-5	VHF AM-FM RADIO SET AN/ARC-186 AND AN/ARC-201A (ADI)
J2 (A55)	CONNECTOR	W191	21-3	RADAR WARNING SET AN/APR-39(V)1 (ADN) AND AN/APR-39A(V)1 (ADO)
J2 (A55)	CONNECTOR	W191	21-4	LASER DETECTING SET AN/AVR-2A(V)1 (ADP)
J2 (A58)	CONNECTOR	W216	13-4	PRESSURE REFUELING/DEFUELING
J2 (A59)	CONNECTOR	W217	13-4	PRESSURE REFUELING/DEFUELING
J2 (A6)	CONNECTOR		5-1	AUXILIARY POWER UNIT (APU)
J2 (A600)	CONNECTOR		17-1	IHADSS
J2 (A601)	CONNECTOR		17-1	IHADSS
J2 (A61)	CONNECTOR	W255	3-1	AERIAL ROCKET CONTROL SYSTEM (ARCS)

WIRING DIAGRAM DIRECTORY (cont)

REFDES	COMPONENT	CABLE	PARAGRAPH	WIRING DIAGRAM
J2 (A61)	CONNECTOR	W255	4-1	AREA WEAPON SYSTEM (AWS)
J2 (A61)	CONNECTOR	W255	14-1	HELLFIRE MISSILE
J2 (A61)	CONNECTOR	W255	17-1	IHADSS
J2 (A61)	CONNECTOR	W255	19-1	MULTIPLEX
J2 (A61)	CONNECTOR	W255	24-1	TADS
J2 (A61)	CONNECTOR	W255	26-2	VIDEO DISPLAY UNIT (VDU) AND VIDEO RECORDER
J2 (A612)	CONNECTOR	W262	17-1	IHADSS
J2 (A613)	CONNECTOR		17-1	IHADSS
J2 (A62)	CONNECTOR	W116	3-1	AERIAL ROCKET CONTROL SYSTEM (ARCS)
J2 (A62)	CONNECTOR	W116	4-1	AREA WEAPON SYSTEM (AWS)
J2 (A62)	CONNECTOR	W116	14-1	HELLFIRE MISSILE
J2 (A62)	CONNECTOR	W116	17-1	IHADSS
J2 (A62)	CONNECTOR	W116	20-5	RADAR ALTIMETER (RADALT) SET
J2 (A624)	CONNECTOR	W116	19-1	MULTIPLEX
J2 (A626)	CONNECTOR	W117	17-1	IHADSS
J2 (A626)	CONNECTOR	W117	26-1	SYMBOL GENERATOR
J2 (A628)	CONNECTOR	W255	22-1	PNVS
J2 (A629)	CONNECTOR	W255	22-1	PNVS
J2 (A629)	CONNECTOR	W255	24-1	TADS
J2 (A63)	CONNECTOR	W117	11-1	EXTERNAL STORES CONTROL
J2 (A63)	CONNECTOR	W117	17-1	IHADSS
J2 (A63)	CONNECTOR	W117	19-1	MULTIPLEX

WIRING DIAGRAM DIRECTORY (cont)

REFDES	COMPONENT	CABLE	PARAGRAPH	WIRING DIAGRAM
J2 (A63)	CONNECTOR	W117	24-1	TADS
J2 (A63)	CONNECTOR	W117	25-1	CANOPY DEFOG AND ANTI-ICE
J2 (A63)	CONNECTOR	W117	25-7	TADS/PNVS ANTI-ICE CONTROLS
J2 (A632)	CONNECTOR	W255	22-1	PNVS
J2 (A632)	CONNECTOR	W255	24-1	TADS
J2 (A632)	CONNECTOR	W255	26-1	SYMBOL GENERATOR
J2 (A633)	CONNECTOR	W255	24-1	TADS
J2 (A634)	CONNECTOR	W255	24-1	TADS
J2 (A635)	CONNECTOR	W255	3-1	AERIAL ROCKET CONTROL SYSTEM (ARCS)
J2 (A635)	CONNECTOR	W255	4-1	AREA WEAPON SYSTEM (AWS)
J2 (A635)	CONNECTOR	W255	11-1	EXTERNAL STORES CONTROL
J2 (A635)	CONNECTOR	W255	14-1	HELLFIRE MISSILE
J2 (A635)	CONNECTOR	W255	24-1	TADS
J2 (A635)	CONNECTOR	W255	26-2	VIDEO DISPLAY UNIT (VDU) AND VIDEO RECORDER
J2 (A637)	CONNECTOR	W211	12-1	DASE (BUCS DEACTIVATED)
J2 (A637)	CONNECTOR	W211	12-2	DASE (BUCS ACTIVATED)
J2 (A637)	CONNECTOR	W211	12-4	STABILATOR
J2 (A638)	CONNECTOR	W211	12-1	DASE (BUCS DEACTIVATED)
J2 (A638)	CONNECTOR	W211	12-2	DASE (BUCS ACTIVATED)
J2 (A638)	CONNECTOR	W211	12-4	STABILATOR
J2 (A69)	CONNECTOR	W211	2-1	AIR DATA SYSTEM (ADS)

WIRING DIAGRAM DIRECTORY (cont)

<u>REFDES</u>	<u>COMPONENT</u>	<u>CABLE</u>	<u>PARAGRAPH</u>	<u>WIRING DIAGRAM</u>
J2 (A69)	CONNECTOR	W211	12-1	DASE (BUCS DEACTIVATED)
J2 (A69)	CONNECTOR	W211	12-2	DASE (BUCS ACTIVATED)
J2 (A69)	CONNECTOR	W211	12-3	FORCE TRIM
J2 (A69)	CONNECTOR	W211	12-4	STABILATOR
J2 (A69)	CONNECTOR	W211	20-4	HARS
J2 (A69)	CONNECTOR	W211	26-2	VIDEO DISPLAY UNIT (VDU) AND VIDEO RECORDER
J2 (A77)	CONNECTOR	W621	4-1	AREA WEAPON SYSTEM (AWS)
J2 (A77)	CONNECTOR	W621	9-6	CIRCUIT PROTECTION (AC ESSENTIAL BUS 1-CPG STATION)
J2 (A77)	CONNECTOR	W621	9-8	CIRCUIT PROTECTION (AC ESSENTIAL BUS 2 - CPG STATION)
J2 (A77)	CONNECTOR	W621	9-13	CIRCUIT PROTECTION (DC ESSENTIAL BUS 3 - CPG STATION)
J2 (A77)	CONNECTOR	W621	9-17	CIRCUIT PROTECTION (DC GROUND CIRCUIT BREAKERS - CPG STATION)
J2 (A77)	CONNECTOR	W621	14-1	HELLFIRE MISSILE
J2 (A77)	CONNECTOR	W621	19-1	MULTIPLEX
J2 (A77)	CONNECTOR	W621	26-2	VIDEO DISPLAY UNIT (VDU) AND VIDEO RECORDER
J2 (A97)	CONNECTOR	W615	9-6	CIRCUIT PROTECTION (AC ESSENTIAL BUS 1-CPG STATION)
J2 (A97)	CONNECTOR	W615	9-10	CIRCUIT PROTECTION (DC ESSENTIAL BUS 1-CPG STATION)
J2 (EQ300)	CONNECTOR	W266	6-1	INTERCOMMUNICATION
J2 (EQ300)	CONNECTOR	W266	6-3	UHF-AM RADIO SET
J2 (EQ300)	CONNECTOR	W266	6-4	VHF AM-FM RADIO SET AN/ARC-186 (ADH)

WIRING DIAGRAM DIRECTORY (cont)

<u>REFDES</u>	<u>COMPONENT</u>	<u>CABLE</u>	<u>PARAGRAPH</u>	<u>WIRING DIAGRAM</u>
J2 (EQ300)	CONNECTOR	W266	6-5	VHF AM-FM RADIO SET AN/ARC-186 AND AN/ARC-201A (ADI)
J2 (G1)	CONNECTOR	W119	9-1	AC ELECTRICAL POWER GENERATION
J2 (G2)	CONNECTOR	W118	9-1	AC ELECTRICAL POWER GENERATION
J2 (M300)	CONNECTOR	W266	20-5	RADAR ALTIMETER (RADALT) SET
J2 (M309)	CONNECTOR	W116	20-5	RADAR ALTIMETER (RADALT) SET
J2 (PS5)	CONNECTOR	W119	9-22	ANTI-COLLISION LIGHTS
J2 (RE306)	CONNECTOR	W175	21-3	RADAR WARNING SET AN/APR-39(V)1 (ADN) AND AN/APR-39A(V)1 (ADO)
J2 (RE306)	CONNECTOR	W175	21-4	LASER DETECTING SET AN/AVR-2A(V)1 (ADP)
J2 (RE307)	CONNECTOR	W177	21-3	RADAR WARNING SET AN/APR-39(V)1 (ADN) AND AN/APR-39A(V)1 (ADO)
J2 (RE307)	CONNECTOR	W177	21-4	LASER DETECTING SET AN/AVR-2A(V)1 (ADP)
J20 (A402)	CONNECTOR	W668	2-1	AIR DATA SYSTEM (ADS)
J20 (A402)	CONNECTOR	W668	3-1	AERIAL ROCKET CONTROL SYSTEM (ARCS)
J20 (A402)	CONNECTOR	W668	4-1	AREA WEAPON SYSTEM (AWS)
J20 (A402)	CONNECTOR	W668	5-1	AUXILIARY POWER UNIT (APU)
J20 (A402)	CONNECTOR	W668	6-1	INTERCOMMUNICATION
J20 (A402)	CONNECTOR	W668	9-1	AC ELECTRICAL POWER GENERATION
J20 (A402)	CONNECTOR	W668	9-3	EXTERNAL POWER AND GROUND SERVICE UTILITY CONNECTOR
J20 (A402)	CONNECTOR	W668	9-9	CIRCUIT PROTECTION (DC ESSENTIAL BUS 1 -PILOT STATION)

WIRING DIAGRAM DIRECTORY (cont)

REFDES	COMPONENT	CABLE	PARAGRAPH	WIRING DIAGRAM
J20 (A402)	CONNECTOR	W668	9-12	CIRCUIT PROTECTION (DC ESSENTIAL BUS 3 - PILOT STATION)
J20 (A402)	CONNECTOR	W668	9-14	CIRCUIT PROTECTION (DC EMERGENCY BUS - PILOT STATION)
J20 (A402)	CONNECTOR	W668	9-28	SQUAT SWITCH
J20 (A402)	CONNECTOR	W668	10-1	ENVIRONMENTAL CONTROL SYSTEM (ECS)
J20 (A402)	CONNECTOR	W668	11-1	EXTERNAL STORES CONTROL
J20 (A402)	CONNECTOR	W668	12-1	DASE (BUCS DEACTIVATED)
J20 (A402)	CONNECTOR	W668	12-2	DASE (BUCS ACTIVATED)
J20 (A402)	CONNECTOR	W668	16-1	IFF
J20 (A402)	CONNECTOR	W668	20-4	HARS
J20 (A402)	CONNECTOR	W668	23-1	POWER PLANTS
J20 (A402)	CONNECTOR	W668	25-1	CANOPY DEFOG AND ANTI-ICE
J20 (A402)	CONNECTOR	W668	25-2	ENGINE ANTI-ICE
J20 (A402)	CONNECTOR	W688	25-3	ROTOR BLADES DE-ICE
J20 (A402)	CONNECTOR	W688	25-4	PITOT ANTI-ICE
J20 (A402)	CONNECTOR	W668	25-6	FIRE DETECTION AND EXTINGUISHING
J20 (A402)	CONNECTOR	W668	25-7	TADS/PNVS ANTI-ICE CONTROLS
J21	CONNECTOR	W119	9-18	CAUTION AND WARNING
J21	CONNECTOR	W119	18-1	ENGINE INSTRUMENTS
J21	CONNECTOR	W119	23-1	POWER PLANTS
J21	CONNECTOR	W119	25-2	ENGINE ANTI-ICE

WIRING DIAGRAM DIRECTORY (cont)

REFDES	COMPONENT	CABLE	PARAGRAPH	WIRING DIAGRAM
J21 (A402)	CONNECTOR	W668	8-1	DRIVE SYSTEM
J21 (A402)	CONNECTOR	W668	9-1	AC ELECTRICAL POWER GENERATION
J21 (A402)	CONNECTOR	W668	9-3	EXTERNAL POWER AND GROUND SERVICE UTILITY CONNECTOR
J21 (A402)	CONNECTOR	W668	9-4	BATTERY AND BATTERY CHARGER
J21 (A402)	CONNECTOR	W668	9-5	CIRCUIT PROTECTION (AC ESSENTIAL BUS 1- PILOT STATION)
J21 (A402)	CONNECTOR	W668	9-23	FORMATION LIGHTS
J21 (A402)	CONNECTOR	W668	13-1	AUXILIARY FUEL
J21 (A402)	CONNECTOR	W668	23-1	POWER PLANTS
J21 (A402)	CONNECTOR	W668	25-2	ENGINE ANTI-ICE
J213	CONNECTOR	W119	25-6	FIRE DETECTION AND EXTINGUISHING
J213 SP1	SPLICE	W119	25-6	FIRE DETECTION AND EXTINGUISHING
J214	CONNECTOR	W118	25-6	FIRE DETECTION AND EXTINGUISHING
J214 SP1	SPLICE	W118	25-6	FIRE DETECTION AND EXTINGUISHING
J215	CONNECTOR	W115	12-1	DASE (BUCS DEACTIVATED)
J215	CONNECTOR	W115	12-2	DASE (BUCS ACTIVATED)
J215 SP1	SPLICE	W115	12-1	DASE (BUCS DEACTIVATED)
J215 SP1	SPLICE	W115	12-2	DASE (BUCS ACTIVATED)
J219	CONNECTOR	W211	12-1	DASE (BUCS DEACTIVATED)
J219	CONNECTOR	W211	12-2	DASE (BUCS ACTIVATED)

WIRING DIAGRAM DIRECTORY (cont)

REFDES	COMPONENT	CABLE	PARAGRAPH	WIRING DIAGRAM
J22	CONNECTOR	W118	9-18	CAUTION AND WARNING
J22	CONNECTOR	W118	18-1	ENGINE INSTRUMENTS
J22	CONNECTOR	W118	23-1	POWER PLANTS
J22	CONNECTOR	W118	25-2	ENGINE ANTI-ICE
J22 (A402)	CONNECTOR	W668	9-5	CIRCUIT PROTECTION (AC ESSENTIAL BUS 1 - PILOT STATION)
J22 (A402)	CONNECTOR	W668	9-11	CIRCUIT PROTECTION (DC ESSENTIAL BUS 1 - PILOT STATION)
J22 (A402)	CONNECTOR	W668	9-12	CIRCUIT PROTECTION (DC ESSENTIAL BUS 3 - PILOT STATION)
J22 (A402)	CONNECTOR	W668	9-19	EDGE LIGHTS
J22 (A402)	CONNECTOR	W668	9-22	ANTI-COLLISION LIGHTS
J22 (A402)	CONNECTOR	W668	9-25	NAVIGATION LIGHTS
J22 (A402)	CONNECTOR	W668	11-2	EXTERNAL STORES JETTISON
J22 (A402)	CONNECTOR	W688	25-3	ROTOR BLADES DE-ICE
J22 (A402)	CONNECTOR	W668	26-2	VIDEO DISPLAY UNIT (VDU) AND VIDEO RECORDER
J220 (L34)	CONNECTOR	W211	12-1	DASE (BUCS DEACTIVATED)
J220 (L34)	CONNECTOR	W211	12-2	DASE (BUCS ACTIVATED)
J223	CONNECTOR	W115	12-1	DASE (BUCS DEACTIVATED)
J223	CONNECTOR	W115	12-2	DASE (BUCS ACTIVATED)
J224 (L36)	CONNECTOR	W116	12-1	DASE (BUCS DEACTIVATED)
J224 (L36)	CONNECTOR	W116	12-2	DASE (BUCS ACTIVATED)

WIRING DIAGRAM DIRECTORY (cont)

REFDES	COMPONENT	CABLE	PARAGRAPH	WIRING DIAGRAM
J225	CONNECTOR	W211	12-1	DASE (BUCS DEACTIVATED)
J225	CONNECTOR	W211	12-2	DASE (BUCS ACTIVATED)
J226	CONNECTOR	W211	12-1	DASE (BUCS DEACTIVATED)
J226 (L35)	CONNECTOR	W211	12-2	DASE (BUCS ACTIVATED)
J227	CONNECTOR	W211	12-1	DASE (BUCS DEACTIVATED)
J227	CONNECTOR	W211	12-2	DASE (BUCS ACTIVATED)
J228 (L33)	CONNECTOR	W211	12-1	DASE (BUCS DEACTIVATED)
J228 (L33)	CONNECTOR	W211	12-2	DASE (BUCS ACTIVATED)
J23	CONNECTOR	W261	18-1	ENGINE INSTRUMENTS
J23 (A402)	CONNECTOR	W668	9-5	CIRCUIT PROTECTION (AC ESSENTIAL BUS 1 - PILOT STATION)
J23 (A402)	CONNECTOR	W668	9-11	CIRCUIT PROTECTION (DC ESSENTIAL BUS 1 - PILOT STATION)
J23 (A402)	CONNECTOR	W668	10-1	ENVIRONMENTAL CONTROL SYSTEM (ECS)
J23 (A402)	CONNECTOR	W668	12-4	STABILATOR
J23 (A402)	CONNECTOR	W668	13-1	AUXILIARY FUEL
J23 (A402)	CONNECTOR	W668	13-2	FUEL CROSSFEED/BOOST
J23 (A402)	CONNECTOR	W668	13-3	FUEL QUANTITY INDICATION/TRANSFER
J23 (A402)	CONNECTOR	W668	13-4	PRESSURE REFUELING/DEFUELING
J23 (A402)	CONNECTOR	W668	18-2	NAVIGATION INSTRUMENTS
J23 (A402)	CONNECTOR	W668	21-2	RADAR JAMMER AN/ALQ-136

WIRING DIAGRAM DIRECTORY (cont)

<u>REFDES</u>	<u>COMPONENT</u>	<u>CABLE</u>	<u>PARAGRAPH</u>	<u>WIRING DIAGRAM</u>
J268	CONNECTOR	W119	12-2	DASE (BUCS ACTIVATED)
J269	CONNECTOR	W118	12-1	DASE (BUCS DEACTIVATED)
J269	CONNECTOR	W118	12-2	DASE (BUCS ACTIVATED)
J27 (A402)	CONNECTOR	W668	2-1	AIR DATA SYSTEM (ADS)
J27 (A402)	CONNECTOR	W668	8-1	DRIVE SYSTEM
J27 A402)	CONNECTOR	W668	9-5	CIRCUIT PROTECTION (AC ESSENTIAL BUS 1 - PILOT STATION)
J27 (A402)	CONNECTOR	W668	9-12	CIRCUIT PROTECTION (DC ESSENTIAL BUS 3 - PILOT STATION)
J27 (A402)	CONNECTOR	W668	9-23	FORMATION LIGHTS
J27 (A402)	CONNECTOR	W668	9-25	NAVIGATION LIGHTS
J27 (A402)	CONNECTOR	W668	9-28	SQUAT SWITCH
J27 (A402)	CONNECTOR	W668	12-1	DASE (BUCS DEACTIVATED)
J27 (A402)	CONNECTOR	W668	12-2	DASE (BUCS ACTIVATED)
J27 (A402)	CONNECTOR	W668	12-3	FORCE TRIM
J27 (A402)	CONNECTOR	W668	12-4	STABILATOR
J27 (A402)	CONNECTOR	W668	15-1	HYDRAULIC
J27 (A402)	CONNECTOR	W668	20-4	HARS
J27 (A402)	CONNECTOR	W668	25-2	ENGINE ANTI-ICE
J270	CONNECTOR	W119	12-1	DASE (BUCS DEACTIVATED)
J270	CONNECTOR	W119	12-2	DASE (BUCS ACTIVATED)
J271	CONNECTOR	W118	12-1	DASE (BUCS DEACTIVATED)
J271	CONNECTOR	W118	12-2	DASE (BUCS ACTIVATED)

WIRING DIAGRAM DIRECTORY (cont)

<u>REFDES</u>	<u>COMPONENT</u>	<u>CABLE</u>	<u>PARAGRAPH</u>	<u>WIRING DIAGRAM</u>
J272	CONNECTOR	W119	12-1	DASE (BUCS DEACTIVATED)
J272	CONNECTOR	W119	12-2	DASE (BUCS ACTIVATED)
J273	CONNECTOR	W118	12-1	DASE (BUCS DEACTIVATED)
J273	CONNECTOR	W118	12-2	DASE (BUCS ACTIVATED)
J28 (A402)	CONNECTOR	W668	9-9	CIRCUIT PROTECTION (DC ESSENTIAL BUS 1 - PILOT STATION)
J28 (A402)	CONNECTOR	W668	9-12	CIRCUIT PROTECTION (DC ESSENTIAL BUS 3 - PILOT STATION)
J28 i(A402)	CONNECTOR	W668	12-4	STABILATOR
J29 (A402)	CONNECTOR	W668	9-2	DC ELECTRICAL POWER GENERATION
J29 (A402)	CONNECTOR	W668	9-14	CIRCUIT PROTECTION (DC EMERGENCY BUS - PILOT STATION)
J29 (A402)	CONNECTOR	W668	9-24	LANDING/SEARCH LIGHTS
J29 SP1	SPLICE	W118/	9-24	LANDING/SEARCH LIGHTS W668
J3 (A126)	CONNECTOR	W266	20-8	EGI (ADD)
J3 (A127)	CONNECTOR	W266	20-7	DATA TRANSFER UNIT (ADD)
J3 (A130)	CONNECTOR	W266	6-3	UHF-FM RADIO SET (ADD)
J3 (A134)	CONNECTOR	W187	16-1	IFF
J3 (A156)	-CONNECTOR	W117	3-1	AERIAL ROCKET CONTROL SYSTEM (ARCS)
J3 (A156)	CONNECTOR	W117	4-1	AREA WEAPON SYSTEM (AWS)
J3 (A156)	CONNECTOR	W117	9-19	EDGE LIGHTS
J3 (A156)	CONNECTOR	W117	11-1	EXTERNAL STORES CONTROL
J3 (A156)	CONNECTOR	W117	14-1	HELLFIRE MISSILE
J3 (A156)	CONNECTOR	W117	17-1	IHADSS
J3 (A156)	CONNECTOR	W117	19-1	MULTIPLEX

WIRING DIAGRAM DIRECTORY (cont)

REFDES	COMPONENT	CABLE	PARAGRAPH	WIRING DIAGRAM
J23 (A402)	CONNECTOR	W668	25-6	FIRE DETECTION AND EXTINGUISHING
J23 (A402)	CONNECTOR	W668	26-2	VIDEO DISPLAY UNIT (VDU) AND VIDEO RECORDER
J23 SP1	SPLICE	W261	18-1	ENGINE INSTRUMENTS
J23 SP2	SPLICE	W261	18-1	ENGINE INSTRUMENTS
J23 SP3	SPLICE	W261	18-1	ENGINE INSTRUMENTS
J23 SP4	SPLICE	W261	18-1	ENGINE INSTRUMENTS
J230	CONNECTOR	W119	12-2	DASE (BUCS ACTIVATED)
J230 (MT8)	CONNECTOR	W119	12-1	DASE (BUCS DEACTIVATED)
J231	CONNECTOR	W118	12-2	DASE (BUCS ACTIVATED)
J231 (MT5)	CONNECTOR	W118	12-1	DASE (BUCS DEACTIVATED)
J232	CONNECTOR	W118	12-2	DASE (BUCS ACTIVATED)
J232 (MT7)	CONNECTOR	W118	12-1	DASE (BUCS DEACTIVATED)
J233	CONNECTOR	W119	12-2	DASE (BUCS ACTIVATED)
J233 (MT6)	CONNECTOR	W119	12-1	DASE (BUCS DEACTIVATED)
J234	CONNECTOR	W119	12-2	DASE (BUCS ACTIVATED)
J234 (MT4)	CONNECTOR	W119	12-1	DASE (BUCS DEACTIVATED)
J234 SP1	SPLICE	W119	12-2	DASE (BUCS ACTIVATED)
J235	CONNECTOR	W118	12-2	DASE (BUCS ACTIVATED)
J235 (MT1)	CONNECTOR	W118	12-1	DASE (BUCS DEACTIVATED)
J235 SP1	SPLICE	W118	12-2	DASE (BUCS ACTIVATED)
J236	CONNECTOR	W118	12-2	DASE (BUCS ACTIVATED)

WIRING DIAGRAM DIRECTORY (cont)

REFDES	COMPONENT	CABLE	PARAGRAPH	WIRING DIAGRAM
J236 (MT3)	CONNECTOR	W118	12-1	DASE (BUCS DEACTIVATED)
J236 SP1	SPLICE	W118	12-2	DASE (BUCS ACTIVATED)
J237	CONNECTOR	W119	12-2	DASE (BUCS ACTIVATED)
J237 (MT2)	CONNECTOR	W119	12-1	DASE (BUCS DEACTIVATED)
J237 SP1	SPLICE	W119	12-2	DASE (BUCS ACTIVATED)
J24	CONNECTOR	W264	18-1	ENGINE INSTRUMENTS
J24 (A402)	CONNECTOR	W668	9-1	AC ELECTRICAL POWER GENERATION
J24 (A402)	CONNECTOR	W668	9-5	CIRCUIT PROTECTION (AC ESSENTIAL BUS 1 - PILOT STATION)
J24 (A402)	CONNECTOR	W668	9-9	CIRCUIT PROTECTION (DC ESSENTIAL BUS 1 - PILOT STATION)
J24 (A402)	CONNECTOR	W668	9-11	CIRCUIT PROTECTION (DC ESSENTIAL BUS 1 - PILOT STATION)
J24 (A402)	CONNECTOR	W668	9-12	CIRCUIT PROTECTION (DC ESSENTIAL BUS 3 - PILOT STATION)
J24 (A402)	CONNECTOR	W668	9-23	FORMATION LIGHTS
J24 (A402)	CONNECTOR	W668	9-28	SQUAT SWITCH
J24 (A402)	CONNECTOR	W668	10-1	ENVIRONMENTAL CONTROL SYSTEM (ECS)
J24 (A402)	CONNECTOR	W668	11-2	EXTERNAL STORES JETTISON
J24 (A402)	CONNECTOR	W668	12-1	DASE (BUCS DEACTIVATED)
J24 (A402)	CONNECTOR	W668	12-2	DASE (BUCS ACTIVATED)
J24 (A402)	CONNECTOR	W668	12-3	FORCE TRIM

WIRING DIAGRAM DIRECTORY (cont)

WIRING DIAGRAM DIRECTORY (cont)

REFDES	COMPONENT	CABLE	PARAGRAPH	WIRING DIAGRAM
J24 (A402)	CONNECTOR	W668	12-4	STABILATOR
J24 (A402)	CONNECTOR	W668	13-2	FUEL CROSSFEED/BOOST
J24 (A402)	CONNECTOR	W668	13-4	PRESSURE REFUELING/DEFUELING
J24 (A402)	CONNECTOR	W668	15-1	HYDRAULIC
J24 (A402)	CONNECTOR	W668	25-2	ENGINE ANTI-ICE
J25 (A402)	CONNECTOR	W668	2-1	AIR DATA SYSTEM (ECS)
J25 (A402)	CONNECTOR	W668	9-5	CIRCUIT PROTECTION (AC ESSENTIAL BUS 1 - PILOT STATION)
J25 (A402)	CONNECTOR	W668	9-7	CIRCUIT PROTECTION (AC ESSENTIAL BUS 2 - PILOT STATION)
J25 (A402)	CONNECTOR	W668	9-9	CIRCUIT PROTECTION (DC ESSENTIAL BUS 1 - PILOT STATION)
J25 (A402)	CONNECTOR	W668	9-11	CIRCUIT PROTECTION (DC ESSENTIAL BUS 1 - PILOT STATION)
J25 (A402)	CONNECTOR	W668	9-12	CIRCUIT PROTECTION (DC ESSENTIAL BUS 3 - PILOT STATION)
J25 (A402)	CONNECTOR	W668	10-1	ENVIRONMENTAL CONTROL SYSTEM (ECS)
J25 (A402)	CONNECTOR	W668	12-4	STABILATOR
J25 (A402)	CONNECTOR	W668	13-1	AUXILIARY FUEL
J25 (A402)	CONNECTOR	W668	13-3	FUEL QUANTITY INDICATION/TRANSFER
J25 (A402)	CONNECTOR	W668	21-1	IR JAMMER AN/ALQ-144
J25 (A402)	CONNECTOR	W668	25-1	CANOPY DEFOG AND ANTI-ICE
J25 (A402)	CONNECTOR	W668	25-2	ENGINE ANTI-ICE

REFDES	COMPONENT	CABLE	PARAGRAPH	WIRING DIAGRAM
J25 (A402)	CONNECTOR	W668	25-4	PITOT ANTI-ICE
J25 (A402)	CONNECTOR	W668	25-5	WINDSHIELD WIPERS
J256 (A333)	CONNECTOR	W601	13-1	AUXILIARY FUEL
J26 (A402)	CONNECTOR	W668	3-1	AERIAL ROCKET CONTROL SYSTEM (ARCS)
J26 (A402)	CONNECTOR	W668	4-1	AREA WEAPON SYSTEM (AWS)
J26 (A402)	CONNECTOR	W668	9-5	CIRCUIT PROTECTION (AC ESSENTIAL BUS 1 - PILOT STATION)
J26 (A402)	CONNECTOR	W668	9-11	CIRCUIT PROTECTION (DC ESSENTIAL BUS 1 - PILOT STATION)
J26 (A402)	CONNECTOR	W668	9-12	CIRCUIT PROTECTION (DC ESSENTIAL BUS 3 - PILOT STATION)
J26 (A402)	CONNECTOR	W668	9-28	SQUAT SWITCH
J26 (A402)	CONNECTOR	W668	11-1	EXTERNAL STORES CONTROL
J26 (A402)	CONNECTOR	W668	11-2	EXTERNAL STORES JETTISON
J26 (A402)	CONNECTOR	W668	14-1	HELLFIRE MISSILE
J26 (A402)	CONNECTOR	W668	17-1	IHADSS
J26 (A402)	CONNECTOR	W668	26-1	SYMBOL GENERATOR
J266	CONNECTOR	W119	12-1	DASE (BUCS DEACTIVATED)
J266	CONNECTOR	W119	12-2	DASE (BUCS ACTIVATED)
J267	CONNECTOR	W118	12-1	DASE (BUCS DEACTIVATED)
J267	CONNECTOR	W119	12-2	DASE (BUCS ACTIVATED)
J268	CONNECTOR	W119	12-1	DASE (BUCS DEACTIVATED)

WIRING DIAGRAM DIRECTORY (cont)

REFDES	COMPONENT	CABLE	PARAGRAPH	WIRING DIAGRAM
J3 (A156)	CONNECTOR	W117	24-1	TADS
J3 (A175)	CONNECTOR	W266	26-1	SYMBOL GENERATOR
J3 (A175)	CONNECTOR	W266	26-2	VIDEO DISPLAY UNIT (VDU) AND VIDEO RECORDER
J3 (A22)	CONNECTOR	W205	21-2	RADAR JAMMER AN/ALQ-136
J3 (A2273)	CONNECTOR	W674	21-4	LASER DETECTING SET AN/AVR-2A(V)1 (ADP)
J3 (A320)	CONNECTOR	W255	26-1	SYMBOL GENERATOR
J3 (A320)	CONNECTOR	W255	26-2	VIDEO DISPLAY UNIT (VDU) AND VIDEO RECORDER
J3 (A320)	CONNECTOR	W255	26-2	VIDEO DISPLAY UNIT (VDU) AND VIDEO RECORDER
J3 (A323)	CONNECTOR	W642	12-4	STABILATOR
J3 (A326)	CONNECTOR	W646	9-27	AUDIO WARNING
J3 (A326)	CONNECTOR	W646	18-1	ENGINE INSTRUMENTS
J3 (A342)	CONNECTOR	W211	12-2	DASE (BUCS ACTIVATED)
J3 (A342)	CONNECTOR	W211	12-4	STABILATOR
J3 (A402)	CONNECTOR	W668	9-1	AC ELECTRICAL POWER GENERATION
J3 (A402)	CONNECTOR	W668	9-2	DC ELECTRICAL POWER GENERATION
J3 (A402)	CONNECTOR	W668	9-5	CIRCUIT PROTECTION (AC ESSENTIAL BUS 1- PILOT STATION)
J3 (A402)	CONNECTOR	W668	9-7	CIRCUIT PROTECTION (AC ESSENTIAL BUS 2- PILOT STATION)
J3 (A403)	CONNECTOR	W119	9-19	EDGE LIGHTS
J3 (A502)	CONNECTOR	W116	14-1	HELLFIRE MISSILE
J3 (A502)	CONNECTOR	W116	19-1	MULTIPLEX
J3 (A510)	CONNECTOR	W636	4-1	AREA WEAPON SYSTEM (AWS)
J3 (A512) (ABP)	CONNECTOR	W209	6-4	VHF AM-FM RADIO SET AN/ARC-186 (ADH)
J3 (A512) (AAY)	CONNECTOR	W173	6-4	VHF AM-FM RADIO SET SET AN/ARC-186 (ADH)
J3 (A513) (ABP)	CONNECTOR	W210	6-4	VHF AM-FM RADIO SET SET AN/ARC-186 (ADH)

WIRING DIAGRAM DIRECTORY (cont)

REFDES	COMPONENT	CABLE	PARAGRAPH	WIRING DIAGRAM
J3 (A513) (ABP)	CONNECTOR	W210	6-4	VHF AM-FM RADIO SET SET AN/ARC-186 (ADH)
J3 (A513) (AAY)	CONNECTOR	W172	6-5	VHF AM-FM RADIO SET AN/ARC-186 AND AN/ARC-201A (ADI)
J3 (A513) (AAY)	CONNECTOR	W172	6-5	VHF AM-FM RADIO SET AN/ARC-186 AND AN/ARC-201A (ADI)
J3 (A514) (ABP)	CONNECTOR	W210	6-5	VHF AM-FM RADIO SET AN/ARC-186 AND AN/ARC-201A (ADI)
J3 (A514) (AAY)	CONNECTOR	W172	6-5	VHF AM-FM RADIO SET AN/ARC-186 AND AN/ARC-201A (ADI)
J3 (A600)	CONNECTOR		17-1	IHADSS
J3 (A601)	CONNECTOR		17-1	IHADSS
J3 (A61)	CONNECTOR	W255	2-1	AIR DATA SYSTEM (ADS)
J3 (A61)	CONNECTOR	W255	9-18	CAUTION AND WARNING
J3 (A61)	CONNECTOR	W255	19-1	MULTIPLEX
J3 (A61)	CONNECTOR	W255	22-1	PNVS
J3 (A61)	CONNECTOR	W255	24-1	TADS
J3 (A612)	CONNECTOR	W262	17-1	IHADSS
J3 (A613)	CONNECTOR	W116	17-1	IHADSS
J3 (A62)	CONNECTOR	W116	4-1	AREA WEAPON SYSTEM (AWS)
J3 (A62)	CONNECTOR	W116	8-1	DRIVE SYSTEM
J3 (A62)	CONNECTOR	W116	9-18	CAUTION AND WARNING
J3 (A62)	CONNECTOR	W116	17-1	IHADSS
J3 (A62)	CONNECTOR	W116	19-1	MULTIPLEX
J3 (A62)	CONNECTOR	W116	22-1	PNVS
J3 (A628)	CONNECTOR	W255	22-1	PNVS
J3 (A628)	CONNECTOR	W255	24-1	TADS
J3 (A629)	CONNECTOR	W255	24-1	TADS

WIRING DIAGRAM DIRECTORY (cont)

REFDES	COMPONENT	CABLE	PARAGRAPH	WIRING DIAGRAM
J3 (A63)	CONNECTOR	W117	4-1	AREA WEAPON SYSTEM (AWS)
J3 (A63)	CONNECTOR	W117	8-1	DRIVE SYSTEM
J3 (A63)	CONNECTOR	W117	11-1	EXTERNAL STORES CONTROL
J3 (A63)	CONNECTOR	W117	17-1	IHADSS
J3 (A63)	CONNECTOR	W117	19-1	MULTIPLEX
J3 (A63)	CONNECTOR	W117	24-1	TADS
J3 (A63)	CONNECTOR	W117	25-3	ROTOR BLADES DE-ICE
J3 (A63)	CONNECTOR	W117	26-1	SYMBOL GENERATOR
J3 (A632)	CONNECTOR	W255	22-1	PNVS
J3 (A632)	CONNECTOR	W255	24-1	TADS
J3 (A634)	CONNECTOR	W255	24-1	TADS
J3 (A634)	CONNECTOR	W255	21-4	LASER DETECTING SET AN/AVR-2A(V)1 (ADP)
J3 (A635)	CONNECTOR	W255	24-1	TADS
J3 (A635)	CONNECTOR	W255	26-1	SYMBOL GENERATOR
J3 (A637)	CONNECTOR	W211	12-4	STABILATOR
J3 (A638)	CONNECTOR	W211	12-4	STABILATOR
J3 (A69)	CONNECTOR	W211	8-1	DRIVE SYSTEM
J3 (A69)	CONNECTOR	W211	12-1	DASE (BUCS DEACTIVATED)
J3 (A69)	CONNECTOR	W211	12-2	DASE (BUCS ACTIVATED)
J3 (A69)	CONNECTOR	W211	12-4	STABILATOR
J3 (A69)	CONNECTOR	W211	18-1	ENGINE INSTRUMENTS
J3 (A69)	CONNECTOR	W211	19-1	MULTIPLEX
J3 (A69)	CONNECTOR	W211	20-4	HARS
J3 (A77)	CONNECTOR	W621	4-1	AREA WEAPON SYSTEM (AWS)
J3 (A77)	CONNECTOR	W621	9-8	CIRCUIT PROTECTION (AC ESSENTIAL BUS 2 - CPG STATION)
J3 (BT1)	CONNECTOR	W108	9-4	BATTERY AND BATTERY CHARGER

WIRING DIAGRAM DIRECTORY (cont)

REFDES	COMPONENT	CABLE	PARAGRAPH	WIRING DIAGRAM
J3 (EQ300)	CONNECTOR	W266	6-1	INTERCOMMUNICATION
J3 (EQ300)	CONNECTOR	W266	6-3	UHF-AM RADIO SET
J3 (EQ300)	CONNECTOR	W266	6-4	VHF AM-FM RADIO SET AN/ARC-186 (ADH)
J3 (EQ300)	CONNECTOR	W266	6-5	VHF AM-FM RADIO SET AN/ARC-186 AND AN/ARC-201A (ADI)
J3 (EQ300)	CONNECTOR	W266	9-27	AUDIO WARNING
J3 (M300)	CONNECTOR	W202	20-5	RADAR ALTIMETER (RADALT) SET
J3 (PS5)	CONNECTOR	W118	9-22	ANTI-COLLISION LIGHTS
J3 (RE306)	CONNECTOR	W118	21-3	RADAR WARNING SET AN/APR-39(V)1
J3 (RE307)	CONNECTOR	W154	21-3	RADAR WARNING SET AN/APR-39(V)1
J30 (A402)	CONNECTOR	W668	6-1	INTERCOMMUNICATION
J30 (A402)	CONNECTOR	W668	9-12	CIRCUIT PROTECTION (DC ESSENTIAL BUS 3 - PILOT STATION)
J30 (A402)	CONNECTOR	W668	9-18	CAUTION AND WARNING
J30 (A402)	CONNECTOR	W668	9-28	SQUAT SWITCH
J30 (A402)	CONNECTOR	W668	16-1	IFF
J30 (A402)	CONNECTOR	W668	20-1	AUTOMATIC DIRECTION FINDER (ADF) AN/ARN-89
J30 (A402)	CONNECTOR	W668	20-2	DOPPLER NAVIGATION AN/ASN-128
J30 (A402)	CONNECTOR	W668	20-3	DOPPLER NAVIGATION AN/ASN-137 (ADC)
J30 (A402)	CONNECTOR	W668	20-3A	DOPPLER NAVIGATION AN/ASN-137 (ADD)
J30 (A402)	CONNECTOR	W668	20-4	HARS
J30 (A402)	CONNECTOR	W668	20-6	AUTOMATIC DIRECTION FINDER (ADF) AN/ARN-149
J30 (A402)	CONNECTOR	W668	20-7	DATA TRANSFER UNIT (ADD)
J30 (A402)	CONNECTOR	W668	20-8	EGI (ADD)

WIRING DIAGRAM DIRECTORY (cont)

REFDES	COMPONENT	CABLE	PARAGRAPH	WIRING DIAGRAM
J30 SP1 (A402)	SPLICE	W668	9-28	SQUAT SWITCH
J30 SP1 (A402)	SPLICE	W668	16-1	IFF
J304	CONNECTOR	W220	6-1	INTERCOMMUNICATION
J304	CONNECTOR	W220	17-1	IHADSS
J305	CONNECTOR	W219	6-1	INTERCOMMUNICATION
J305	CONNECTOR	W219	17-1	IHADSS
J306	CONNECTOR	W158	6-1	INTERCOMMUNICATION
J307	CONNECTOR	W157	6-1	INTERCOMMUNICATION
J308 (ACP)	CONNECTOR	W229	6 - 4	VHF AM-FM RADIO SET AN/ARC-186 (ADH)
J308 (ACP)	CONNECTOR	W229	6-5	VHF AM-FM RADIO SET AN/ARC-186 AND AN/ARC-201A (ADI)
J31 (A402)	CONNECTOR	W668	5-1	AUXILIARY POWER UNIT (APU)
J31 (A402)	CONNECTOR	W668	13-2	FUEL CROSSFEED/BOOST
J31 (A402)	CONNECTOR	W668	13-3	FUEL QUANTITY INDICATION/TRANSFER
J31 (A402)	CONNECTOR	W668	13-4	PRESSURE REFUELING/DEFUELING
J32 (A402)	CONNECTOR	W668	9-1	AC ELECTRICAL POWER GENERATION
J32 (A402)	CONNECTOR	W668	9-2	DC ELECTRICAL POWER GENERATION
J32 (A402)	CONNECTOR	W668	9-6	CIRCUIT PROTECTION (AC ESSENTIAL BUS 1-CPG STATION)
J32 (A402)	CONNECTOR	W668	9-8	CIRCUIT PROTECTION (AC ESSENTIAL BUS 2-CPG STATION)
J32 (A402)	CONNECTOR	W668	9-10	CIRCUIT PROTECTION (DC ESSENTIAL BUS 1-CPG STATION)

WIRING DIAGRAM DIRECTORY (cont)

REFDES	COMPONENT	CABLE	PARAGRAPH	WIRING DIAGRAM
J32 (A402)	CONNECTOR	W668	9-13	CIRCUIT PROTECTION (DC ESSENTIAL BUS 3-CPG STATION)
J32 (A402)	CONNECTOR	W668	9-15	CIRCUIT PROTECTION (DC EMERGENCY BUS - CPG STATION)
J388 (E310) (ACR)	ADAPTER	W187	16-1	IFF
J4 (A126)	CONNECTOR	W266	20-8	EGI (ADD)
J4 (A129)	CONNECTOR	W266	20-8	EGI (ADD)
J4 (A134)	CONNECTOR	W188	16-1	IFF
J4 (A22)	CONNECTOR	W204	21-2	RADAR JAMMER AN/ALQ-136
J5 (A2273)	CONNECTOR	W672	21-4	LASER DETECTING SET AN/AVR-2A(V)1 (ADP)
J4 (A323)	CONNECTOR	W642	12-1	DASE (BUCS DEACTIVATED)
J4 (A323)	CONNECTOR	W642	12-2	DASE (BUCS ACTIVATED)
J4 (A323)	CONNECTOR	W642	20-4	HARS
J4 (A326)	CONNECTOR	W646	9-18	CAUTION AND WARNING
J4 (A326)	CONNECTOR	W646	18-1	ENGINE INSTRUMENTS
J4 (A402)	CONNECTOR	W668	9-1	AC ELECTRICAL POWER GENERATION
J4 (A402)	CONNECTOR	W668	9-2	DC ELECTRICAL POWER GENERATION
J4 (A402)	CONNECTOR	W668	9-7	CIRCUIT PROTECTION (AC ESSENTIAL BUS 2-PILOT STATION)
J4 (A402)	CONNECTOR	W668	9-9	CIRCUIT PROTECTION (DC ESSENTIAL BUS 1-PILOT STATION)
J4 (A402)	CONNECTOR	W668	9-11	CIRCUIT PROTECTION (DC ESSENTIAL BUS 2-PILOT STATION)
J4 (A402)	CONNECTOR	W668	9-12	CIRCUIT PROTECTION (DC ESSENTIAL BUS 3-PILOT STATION)
J4 (A402)	CONNECTOR	W668	9-13	CIRCUIT PROTECTION (DC ESSENTIAL BUS 3-CPG STATION)

WIRING DIAGRAM DIRECTORY (cont)

REFDES	COMPONENT	CABLE	PARAGRAPH	WIRING DIAGRAM
J4 (A402)	CONNECTOR	W668	9-15	CIRCUIT PROTECTION (DC EMERGENCY BUS - CPG STATION)
J4 (A403)	CONNECTOR	W119	9-19	EDGE LIGHTS
J4 (A502)	CONNECTOR	W116	14-1	HELLFIRE MISSILE
J4 (A510)	CONNECTOR	W636	4-1	AREA WEAPON SYSTEM (AWS)
J4 (A61)	CONNECTOR	W255	3-1	AERIAL ROCKET CONTROL SYSTEM (ARCS)
J4 (A61)	CONNECTOR	W255	4-1	AREA WEAPON SYSTEM (AWS)
J4 (A61)	CONNECTOR	W255	4-1	AREA WEAPON SYSTEM (AWS)
J4 (A61)	CONNECTOR	W255	9-18	CAUTION AND WARNING
J4 (A61)	CONNECTOR	W255	14-1	HELLFIRE MISSILE
J4 (A61)	CONNECTOR	W255	17-1	IHADSS
J4 (A61)	CONNECTOR	W255	18-2	NAVIGATION INSTRUMENTS
J4 (A61)	CONNECTOR	W255	19-1	MULTIPLEX
J4 (A61)	CONNECTOR	W255	20-2	DOPPLER NAVIGATION AN/ASN-128
J4 (A61)	CONNECTOR	W255	20-3	DOPPLER NAVIGATION AN/ASN-137 (ADC)
J4 (A61)	CONNECTOR	W255	20-3A	DOPPLER NAVIGATION AN/ASN-137 (ADD)
J4 (A61)	CONNECTOR	W255	20-4	HARS
J4 (A61)	CONNECTOR	W255	24-1	TADS
J4 (A613)	CONNECTOR	W116	17-1	IHADSS
J4 (A62)	CONNECTOR	W116	9-1	AC ELECTRICAL POWER GENERATION
J4 (A62)	CONNECTOR	W116	11-2	EXTERNAL STORES JETTISON
J4 (A62)	CONNECTOR	W116	17-1	IHADSS

WIRING DIAGRAM DIRECTORY (cont)

REFDES	COMPONENT	CABLE	PARAGRAPH	WIRING DIAGRAM
J4 (A62)	CONNECTOR	W116	19-1	MULTIPLEX
J4 (A62)	CONNECTOR	W116	20-4	HARS
J4 (A62)	CONNECTOR	W116	20-5	RADAR ALTIMETER (RADALT) SET
J4 (A624)	CONNECTOR	W116	19-1	MULTIPLEX
J4 (A628)	CONNECTOR	W255	22-1	PNVS
J4 (A628)	CONNECTOR	W255	26-1	SYMBOL GENERATION
J4 (A629)	CONNECTOR	W255	22-1	PNVS
J4 (A629)	CONNECTOR	W255	24-1	TADS
J4 (A63)	CONNECTOR	W117	3-1	AERIAL ROCKET CONTROL SYSTEM (ARCS)
J4 (A63)	CONNECTOR	W117	4-1	AREA WEAPON SYSTEM (AWS)
J4 (A63)	CONNECTOR	W117	11-1	EXTERNAL STORES CONTROL
J4 (A63)	CONNECTOR	W117	14-1	HELLFIRE MISSILE
J4 (A63)	CONNECTOR	W117	20-4	HARS
J4 (A63)	CONNECTOR	W117	26-1	SYMBOL GENERATION
J4 (A632)	CONNECTOR	W255	24-1	TADS
J4 (A635)	CONNECTOR	W255	24-1	TADS
J4 (A635)	CONNECTOR	W255	26-1	SYMBOL GENERATION
J4 (A69)	CONNECTOR	W211	2-1	AIR DATA SYSTEM (ADS)
J4 (A69)	CONNECTOR	W211	5-1	AUXILIARY POWER UNIT (APU)
J4 (A69)	CONNECTOR	W211	9-18	CAUTION AND WARNING
J4 (A69)	CONNECTOR	W211	12-1	DASE (BUCS DEACTIVATED)
J4 (A69)	CONNECTOR	W211	12-2	DASE (BUCS ACTIVATED)
J4 (A69)	CONNECTOR	W211	19-1	MULTIPLEX

WIRING DIAGRAM DIRECTORY (cont)

REFDES	COMPONENT	CABLE	PARAGRAPH	WIRING DIAGRAM
J4 (A77)	CONNECTOR	W621	9-6	CIRCUIT PROTECTION (AC ESSENTIAL BUS 1-CPG STATION)
J4 (A77)	CONNECTOR	W621	9-8	CIRCUIT PROTECTION (AC ESSENTIAL BUS 2-CPG STATION)
J4 (A77)	CONNECTOR	W621	9-13	CIRCUIT PROTECTION (DC ESSENTIAL BUS 3-CPG STATION)
J4 (A77)	CONNECTOR	W621	9-15	CIRCUIT PROTECTION (DC EMERGENCY BUS - CPG STATION)
J4 (APU)	CONNECTOR		5-1	AUXILIARY POWER UNIT (APU)
J4 (EQ300)	CONNECTOR	W266	6-1	INTERCOMMUNICATION
J4 (EQ300)	CONNECTOR	W266	6-3	UHF-AM RADIO SET
J4 (EQ300)	CONNECTOR	W266	6-4	VHF AM-FM RADIO SET AN/ARC-186 (ADH)
J4 (EQ300)	CONNECTOR	W266	6-5	VHF AM-FM RADIO SET AN/ARC-186 AND AN/ARC-201A (ADI)
J4 (M300)	CONNECTOR	W203	20-5	RADAR ALTIMETER (RADALT) SET
J4 (M300)	CONNECTOR	W203	20-5	RADAR ALTIMETER (RADALT) SET
J4 (RE306)	CONNECTOR	W118	21-3	RADAR WARNING SET AN/APR-39(V)1 (ADN) AND AN/APR-39A(V)1 (ADO)
J4 (RE306)	CONNECTOR	W118	21-4	LASER DETECTING SET AN/AVR-2A(V)1 (ADP)
J4 (RE307)	CONNECTOR	W154	21-3	RADAR WARNING SET AN/APR-39(V)1 (ADN) AND AN/APR-39A(V)1 (ADO)
J4 (RE307)	CONNECTOR	W118	21-4	LASER DETECTING SET AN/AVR-2A(V)1 (ADP)
J4 (M300)	CONNECTOR	W203	20-5	RADAR ALTIMETER (RADALT) SET
J402	CONNECTOR	W211	12-1	DASE (BUCS DEACTIVATED)
J402	CONNECTOR	W211	12-2	DASE (BUCS ACTIVATED)
J402	CONNECTOR	W211	12-4	STABILATOR
J402	CONNECTOR	W211	15-1	HYDRAULIC

WIRING DIAGRAM DIRECTORY (cont)

REFDES	COMPONENT	CABLE	PARAGRAPH	WIRING DIAGRAM
J403	CONNECTOR	W211	4-1	AREA WEAPON SYSTEM (AWS)
J403	CONNECTOR	W211	8-1	DRIVE SYSTEM
J403	CONNECTOR	W211	12-1	DASE (BUCS DEACTIVATED)
J403	CONNECTOR	W211	12-2	DASE (BUCS ACTIVATED)
J403	CONNECTOR	W211	12-3	FORCE TRIM
J403	CONNECTOR	W211	17-1	IHADSS
J403	CONNECTOR	W211	19-1	MULTIPLEX
J403	CONNECTOR	W211	25-1	CANOPY DE-FOG AND ANTI-ICE
J403	CONNECTOR	W211	25-3	ROTOR BLADES DE-ICE
J403	CONNECTOR	W211	25-7	TADS/PNVS ANTI-ICE CONTROL
J403	CONNECTOR	W211	26-2	VIDEO DISPLAY UNIT (VDU) AND VIDEO RECORDER
J404	CONNECTOR	W118	5-1	AUXILIARY POWER UNIT (APU)
J404	CONNECTOR	W118	9-18	CAUTION AND WARNING
J404	CONNECTOR	W118	18-2	NAVIGATION INSTRUMENTS
J404	CONNECTOR	W118	20-4	HARS
J404	CONNECTOR	W118	21-3	RADAR WARNING SET AN/APR-39(V)1 (ADN) AND AN/APR-39A(V)1 (ADO)
J404	CONNECTOR	W118	21-4	LASER DETECTING SET AN/AVR-2A(V)1 (ADP)
J407	CONNECTOR	W255	3-1	AERIAL ROCKET CONTROL SYSTEM (ARCS)
J407	CONNECTOR	W255	4-1	AREA WEAPON SYSTEM (AWS)
J407	CONNECTOR	W255	7-1	CHAFF DISPENSER
J407	CONNECTOR	W255	11-1	EXTERNAL STORES CONTROL
J407	CONNECTOR	W255	12-1	DASE (BUCS DEACTIVATED)
J407	CONNECTOR	W255	12-2	DASE (BUCS ACTIVATED)
J407	CONNECTOR	W255	12-3	FORCE TRIM
J407	CONNECTOR	W255	14-1	HELLFIRE MISSILE
J407	CONNECTOR	W255	17-1	IHADSS

WIRING DIAGRAM DIRECTORY (cont)

REFDES	COMPONENT	CABLE	PARAGRAPH	WIRING DIAGRAM
J407	CONNECTOR	W255	19-1	MULTIPLEX
J407	CONNECTOR	W255	24-1	TADS
J407	CONNECTOR	W255	26-1	SYMBOL GENERATION
J407	CONNECTOR	W255	26-2	VIDEO DISPLAY UNIT (VDU) AND VIDEO RECORDER
J408	CONNECTOR	W211	12-1	DASE (BUCS DEACTIVATED)
J408	CONNECTOR	W211	12-2	DASE (BUCS ACTIVATED)
J408 SP1	SPLICE	W211	12-1	DASE (BUCS DEACTIVATED)
J408 SP1	SPLICE	W211	12-2	DASE (BUCS ACTIVATED)
J410	CONNECTOR	W211	7-1	CHAFF DISPENSER
J410	CONNECTOR	W211	8-1	DRIVE SYSTEM
J410	CONNECTOR	W211	9-18	CAUTION AND WARNING
J410	CONNECTOR	W211	9-23	FORMATION LIGHTS
J410	CONNECTOR	W211	9-25	NAVIGATION LIGHTS
J410	CONNECTOR	W211	21-3	RADAR WARNING SET AN/APR-39(V)1 (ADN) AND AN/APR-39A(V)1 (ADO)
J410	CONNECTOR	W211	21-4	LASER DETECTING SET AN/AVR-2A(V)1 (ADP)
J411	CONNECTOR	W255	3-1	AERIAL ROCKET CONTROL SYSTEM (ARCS)
J411	CONNECTOR	W255	4-1	AREA WEAPON SYSTEM (AWS)
J411	CONNECTOR	W255	9-19	EDGE LIGHTS
J411	CONNECTOR	W255	11-1	EXTERNAL STORES CONTROL
J411	CONNECTOR	W255	14-1	HELLFIRE MISSILE
J411	CONNECTOR	W255	24-1	TADS
J414	CONNECTOR	W117	14-1	HELLFIRE MISSILE
J415	CONNECTOR	W211	12-1	DASE (BUCS DEACTIVATED)
J415	CONNECTOR	W211	12-2	DASE (BUCS ACTIVATED)

WIRING DIAGRAM DIRECTORY (cont)

REFDES	COMPONENT	CABLE	PARAGRAPH	WIRING DIAGRAM
J415 SP1	SPLICE	W211	12-1	DASE (BUCS DEACTIVATED)
J415 SP1	SPLICE	W211	12-2	DASE (BUCS ACTIVATED)
J416	CONNECTOR	W255	9-18	CAUTION AND WARNING
J416	CONNECTOR	W255	9-26	MAINTENANCE LIGHTS
J416	CONNECTOR	W255	18-2	NAVIGATION INSTRUMENTS
J416	CONNECTOR	W255	20-2	DOPPLER NAVIGATION AN/ASN-128
J416	CONNECTOR	W255	20-3	DOPPLER NAVIGATION AN/ASN-137 (ADC)
J416	CONNECTOR	W255	20-3A	DOPPLER NAVIGATION AN/ASN-1137 (ADD)
J416	CONNECTOR	W255	22-1	PNVS
J417	CONNECTOR	W211	12-1	DASE (BUCS DEACTIVATED)
J417	CONNECTOR	W211	12-2	DASE (BUCS ACTIVATED)
J417 SP1	SPLICE	W211	12-1	DASE (BUCS DEACTIVATED)
J417 SP1	SPLICE	W211	12-2	DASE (BUCS ACTIVATED)
J418	CONNECTOR	W255	3-1	AERIAL ROCKET CONTROL SYSTEM (ARCS)
J418	CONNECTOR	W255	11-1	EXTERNAL STORES CONTROL
J418	CONNECTOR	W255	14-1	HELLFIRE MISSILE
J418	CONNECTOR	W255	17-1	IHADSS
J418	CONNECTOR	W255	19-1	MULTIPLEX
J418	CONNECTOR	W255	20-5	RADAR ALTIMETER (RADALT) SET
J418	CONNECTOR	W255	22-1	PNVS
J420	CONNECTOR	W266	21-3	RADAR WARNING SET AN/APR-39(V)1 (ADN) AND AN/APR-39A(V)1 (ADO)
J420	CONNECTOR	W266	21-4	LASER DETECTING SET AN/AVR-2A(V)1 (ADP)
J428	CONNECTOR	W117	13-1	AUXILIARY FUEL

WIRING DIAGRAM DIRECTORY (cont)

REFDES	COMPONENT	CABLE	PARAGRAPH	WIRING DIAGRAM
J428	CONNECTOR	W117	14-1	HELLFIRE MISSILE
J428	CONNECTOR	W117	19-1	MULTIPLEX
J436	CONNECTOR	W118	7-1	CHAFF DISPENSER
J436	CONNECTOR	W118	9-18	CAUTION AND WARNING
J436	CONNECTOR	W118	9-26	MAINTENANCE LIGHTS
J436	CONNECTOR	W118	13-5	NITROGEN INERTING
J436	CONNECTOR	W118	15-1	HYDRAULIC
J436	CONNECTOR	W119	22-1	PNVS
J445	CONNECTOR	W119	12-2	DASE (BUCS ACTIVATED)
J447	CONNECTOR	W119	9-18	CAUTION AND WARNING
J447	CONNECTOR	W119	9-27	AUDIO WARNING
J447	CONNECTOR	W119	12-1	DASE (BUCS DEACTIVATED)
J447	CONNECTOR	W119	12-2	DASE (BUCS ACTIVATED)
J447	CONNECTOR	W119	12-3	FORCE TRIM
J447	CONNECTOR	W119	12-4	STABILATOR
J448	CONNECTOR	W119	9-18	CAUTION AND WARNING
J448	CONNECTOR	W119	9-25	NAVIGATION LIGHTS
J448	CONNECTOR	W119	23-1	POWER PLANTS
J448	CONNECTOR	W119	25-3	ROTOR BLADES DE-ICE
J449	CONNECTOR	W119	8-1	DRIVE SYSTEM
J449	CONNECTOR	W119	9-18	CAUTION AND WARNING
J449	CONNECTOR	W119	15-1	HYDRAULIC
J449	CONNECTOR	W119	18-1	ENGINE INSTRUMENTS
J449	CONNECTOR	W119	23-1	POWER PLANTS
J449	CONNECTOR	W119	25-2	ENGINE ANTI-ICE

WIRING DIAGRAM DIRECTORY (cont)

REFDES	COMPONENT	CABLE	PARAGRAPH	WIRING DIAGRAM
J449	CONNECTOR	W119	25-3	ROTOR BLADES DE-ICE
J449	CONNECTOR	W119	26-2	VIDEO DISPLAY UNIT (VDU) AND VIDEO RECORDER
J452	CONNECTOR	W261	18-1	ENGINE INSTRUMENTS
J455	CONNECTOR	W211	12-4	STABILATOR
J455	CONNECTOR	W211	25-3	ROTOR BLADES DE-ICE
J456	CONNECTOR	W211	8-1	DRIVE SYSTEM
J456	CONNECTOR	W211	9-18	CAUTION AND WARNING
J456	CONNECTOR	W211	12-1	DASE (BUCS DEACTIVATED)
J456	CONNECTOR	W211	12-2	DASE (BUCS ACTIVATED)
J456	CONNECTOR	W211	18-1	ENGINE INSTRUMENTS
J456	CONNECTOR	W211	23-1	POWER PLANTS
J456	CONNECTOR	W211	25-2	ENGINE ANTI-ICE
J456	CONNECTOR	W211	25-3	ROTOR BLADES DE-ICE
J458	CONNECTOR	W117	11-1	EXTERNAL STORES CONTROL
J458	CONNECTOR	W117	11-2	EXTERNAL STORES JETTISON
J459	CONNECTOR	W119	12-1	DASE (BUCS DEACTIVATED)
J459	CONNECTOR	W119	12-2	DASE (BUCS ACTIVATED)
J459	CONNECTOR	W119	26-2	VIDEO DISPLAY UNIT (VDU) AND VIDEO RECORDER
J47	CONNECTOR	W119	25-2	ENGINE ANTI-ICE
J475 (A327)	CONNECTOR	W647	9-19	EDGE LIGHTS
J475 (A327)	CONNECTOR	W647	25-6	FIRE DETECTION AND EXTINGUISHING

WIRING DIAGRAM DIRECTORY (cont)

REFDES	COMPONENT	CABLE	PARAGRAPH	WIRING DIAGRAM
J48	CONNECTOR	W118	25-2	ENGINE ANTI-ICE
J484	CONNECTOR	W211	19-1	MULTIPLEX
J486	CONNECTOR	W188	16-1	IFF
J492	CONNECTOR	W118	5-1	AUXILIARY POWER UNIT (APU)
J495	CONNECTOR	W211	19-1	MULTIPLEX
J5 (A126)	CONNECTOR		20-8	EGI (ADD)
J5 (A129)	CONNECTOR		20-8	EGI (ADD)
J5 (A2273)	CONNECTOR	W6714	21-4	LASER DETECTING SET AN/AVR-2A(V)1 (ADP)
J5 (A323)	CONNECTOR	W642	2-1	AIR DATA SYSTEM (ADS)
J5 (A323)	CONNECTOR	W642	12-1	DASE (BUCS DEACTIVATED)
J5 (A323)	CONNECTOR	W642	12-2	DASE (BUCS ACTIVATED)
J5 (A323)	CONNECTOR	W642	12-4	STABILATOR
J5 (A326)	CONNECTOR	W646	13-3	FUEL QUANTITY INDICATION/TRANSFER
J5 (A326)	CONNECTOR	W646	18-1	ENGINE INSTRUMENTS
J5 (A402)	CONNECTOR	W668	2-1	AIR DATA SYSTEM (ADS)
J5 (A402)	CONNECTOR	W668	5-1	AUXILIARY POWER UNIT (APU)
J5 (A402)	CONNECTOR	W668	9-5	CIRCUIT PROTECTION (AC ESSENTIAL BUS 1-PILOT STATION)
J5 (A402)	CONNECTOR	W668	9-12	CIRCUIT PROTECTION (DC ESSENTIAL BUS 3 - PILOT STATION)
J5 (A402)	CONNECTOR	W668	9-23	FORMATION LIGHTS
J5 (A402)	CONNECTOR	W668	10-1	ENVIRONMENTAL CONTROL SYSTEM (ECS)
J5 (A402)	CONNECTOR	W668	13-2	FUEL CROSSFEED/BOOST
J5 (A402)	CONNECTOR	W668	15-1	HYDRAULIC
J5 (A402)	CONNECTOR	W668	15-2	PRESSURIZED AIR SYSTEM (PAS)
J5 (A402)	CONNECTOR	W668	20-4	HARS
J5 (A402)	CONNECTOR	W668	20-6	AUTOMATIC DIRECTION FINDER (ADF) AN/ARN-149
J5 (A402)	CONNECTOR	W668	25-4	PITOT ANTI-ICE
J5 (A402)	CONNECTOR	W668	25-6	FIRE DETECTION AND EXTINGUISHING
J5 (A502)	CONNECTOR	W116	14-1	HELLFIRE MISSILE

WIRING DIAGRAM DIRECTORY (cont)

REFDES	COMPONENT	CABLE	PARAGRAPH	WIRING DIAGRAM
J5 (A628)	CONNECTOR	W255	22-1	PNVS
J5 (A628)	CONNECTOR	W255	26-1	SYMBOL GENERATOR
J5 (A629)	CONNECTOR	W255	22-1	PNVS
J5 (A629)	CONNECTOR	W255	24-1	TADS
J5 (A647)	CONNECTOR	W201	6-4	VHF AM-FM RADIO SET
J5 (EQ300)	CONNECTOR	W266	6-2	TSEC/KY-58 COMMUNICATIONS SECURITY EQUIPMENT
J5 (EQ300)	CONNECTOR	W266	6-3	UHF-AM RADIO SET
J5 (EQ300)	CONNECTOR	W266	6-4	VHF AM-FM RADIO SET AN/ARC-186 (ADH)
J5 (EQ300)	CONNECTOR	W266	6-5	VHF AM-FM RADIO SET AN/ARC-186 AND AN/ARC-201A (ADI)
J5 (EQ300)	CONNECTOR	W266	9-27	AUDIO WARNING
J5 (EQ300)	CONNECTOR	W266	16-1	IFF
J5 (EQ300)	CONNECTOR	W266	20-1	AUTOMATIC DIRECTION FINDER (ADF) AN/ARN-89
J5 (EQ300)	CONNECTOR	W266	20-6	AUTOMATIC DIRECTION FINDER (ADF) AN/ARN-149
J5 (EQ300)	CONNECTOR	W266	21-3	RADAR WARNING SET AN/APR-39(V)1 (ADN) AND AN/APR-39A(V)1 (ADO)
J5 (EQ300)	CONNECTOR	W266	21-4	LASER DETECTING SET AN/AVR-2A(V)1 (ADP)
J5 (EQ300)	CONNECTOR	W266	26-2	VIDEO DISPLAY UNIT (VDU) AND VIDEO RECORDER
J5 (RE306)	CONNECTOR	W154	21-3	RADAR WARNING SET AN/APR-39(V)1 (ADN) AND AN/APR-39A(V)1 (ADO)
J5 (RE306)	CONNECTOR	W154	21-4	LASER DETECTING SET AN/AVR-2A(V)1 (ADP)
J5 (RE307)	CONNECTOR	W118	21-3	RADAR WARNING SET AN/APR-39(V)1 (ADN) AND AN/APR-39A(V)1 (ADO)
J5 (RE307)	CONNECTOR	W154	21-4	LASER DETECTING SET AN/AVR-2A(V)1 (ADP)
J501 (A37)	CONNECTOR	W117	3-1	AERIAL ROCKET CONTROL SYSTEM (ARCS)

WIRING DIAGRAM DIRECTORY (cont)

REFDES	COMPONENT	CABLE	PARAGRAPH	WIRING DIAGRAM
J501 (A37)	CONNECTOR	W117	11-1	EXTERNAL STORES CONTROL
J502 (A37)	CONNECTOR	W117	3-1	AERIAL ROCKET CONTROL SYSTEM (ARCS)
J502 (A37)	CONNECTOR	W117	11-1	EXTERNAL STORES CONTROL
J502 (A37)	CONNECTOR	W117	14-1	HELLFIRE MISSILE
J506 (A83)	CONNECTOR	W601	11-1	EXTERNAL STORES CONTROL
J507 (A90)	CONNECTOR	W601	11-1	EXTERNAL STORES CONTROL
J512 (A409)	CONNECTOR	W601	3-1	AERIAL ROCKET CONTROL SYSTEM (ARCS)
J513 (A409)	CONNECTOR	W601	3-1	AERIAL ROCKET CONTROL SYSTEM (ARCS)
J518 (A36)	CONNECTOR	W116	4-1	AREA WEAPON SYSTEM (AWS)
J518 (A36)	CONNECTOR	W116	22-1	PNVS
J519 (A35)	CONNECTOR	W116	4-1	AREA WEAPON SYSTEM (AWS)
J520 (A35)	CONNECTOR	W116	4-1	AREA WEAPON SYSTEM (AWS)
J522	CONNECTOR	W255	22-1	PNVS
J523	CONNECTOR	W255	19-1	MULTIPLEX
J523	CONNECTOR	W255	20-4	HARS
J523	CONNECTOR	W255	24-1	TADS
J524	CONNECTOR	W118	8-1	DRIVE SYSTEM
J524	CONNECTOR	W118	9-18	CAUTION AND WARNING
J526	CONNECTOR	W636	4-1	AREA WEAPON SYSTEM (AWS)
J527 (A331)	CONNECTOR	W645	9-19	EDGE LIGHTS

WIRING DIAGRAM DIRECTORY (cont.)

REFDES	COMPONENT	CABLE	PARAGRAPH	WIRING DIAGRAM
J527 (A331)	CONNECTOR	W645	15-1	HYDRAULIC
J527 (A331)	CONNECTOR	W645	25-3	ROTOR BLADES DE-ICE
J527 (S2)	CONNECTOR	W645	15-1	HYDRAULIC
J528 (A332)	CONNECTOR	W644	9-19	EDGE LIGHTS
J528 (A332)	CONNECTOR	W644	20-4	HARS
J528 SP1 (A332)	SPLICE	W644	9-19	EDGE LIGHTS
J528 SP2 (A332)	SPLICE	W 6 4	9-19	EDGE LIGHTS
J529 (A85) (AAE)	CONNECTOR	W117	4-1	AREA WEAPON SYSTEM (AWS)
J529 (XA85) (ABL)	CONNECTOR	W659	4-1	AREA WEAPON SYSTEM (AWS)
J530	CONNECTOR	W119	9-21	PILOT UTILITY AND SECONDARY LIGHTS
J530 SP1	SPLICE	W119	9-21	PILOT UTILITY AND SECONDARY LIGHTS
J530 SP2	SPLICE	W119	9-21	PILOT UTILITY AND SECONDARY LIGHTS
J530 SP3	SPLICE	W119	9-21	PILOT UTILITY AND SECONDARY LIGHTS
J531 (A509)	CONNECTOR	W637	4-1	AREA WEAPON SYSTEM (AWS)
J532 (A510)	CONNECTOR	W636	4-1	AREA WEAPON SYSTEM (AWS)
J533	CONNECTOR	W255	17-1	IHADSS
J533	CONNECTOR	W255	19-1	MULTIPLEX
J533	CONNECTOR	W255	25-7	TAD/PNVS ANTI-ICE CONTROLS
J533	CONNECTOR	W255	26-2	VIDEO DISPLAY UNIT (VDU) AND VIDEO RECORDER

WIRING DIAGRAM DIRECTORY (cont)

REFDES	COMPONENT	CABLE	PARAGRAPH	WIRING DIAGRAM
J535	CONNECTOR	W117	4-1	AREA WEAPON SYSTEM (AWS)
J537	CONNECTOR	W255	24-1	TADS
J577	CONNECTOR	W117	4-1	AREA WEAPON SYSTEM (AWS)
J578	CONNECTOR	W116	8-1	DRIVE SYSTEM
J578 SP1	SPLICE	W116	8-1	DRIVE SYSTEM
J579	CONNECTOR	W117	8-1	DRIVE SYSTEM
J579 SP1	SPLICE	W117	8-1	DRIVE SYSTEM
J581 (A36)	CONNECTOR	W116	4-1	AREA WEAPON SYSTEM (AWS)
J583 (A509)	CONNECTOR	W637	4-1	AREA WEAPON SYSTEM (AWS)
J586	CONNECTOR	W117	3-1	AERIAL ROCKET CONTROL SYSTEM (ARCS)
J586	CONNECTOR	W117	6-1	INTERCOMMUNICATION
J586	CONNECTOR	W117	11-1	EXTERNAL STORES CONTROL
J586	CONNECTOR	W117	14-1	HELLFIRE MISSILE
J586	CONNECTOR	W117	19-1	MULTIPLEX
J587	CONNECTOR	W117	11-2	EXTERNAL STORES JETTISON
J587	CONNECTOR	W117	13-1	AUXILIARY FUEL
J587	CONNECTOR	W117	14-1	HELLFIRE MISSILE
J587 SP1	SPLICE	W117	14-1	HELLFIRE MISSILE
J587 SP2	SPLICE	W117	14-1	HELLFIRE MISSILE
J587 SP3	SPLICE	W157	14-1	HELLFIRE MISSILE
J587 SP4	SPLICE	W157	14-1	HELLFIRE MISSILE
J588	CONNECTOR	W116	3-1	AERIAL ROCKET CONTROL SYSTEM (ARCS)

WIRING DIAGRAM DIRECTORY (cont)

REFDES	COMPONENT	CABLE	PARAGRAPH	WIRING DIAGRAM
J588	CONNECTOR	W116	6-1	INTERCOMMUNICATION
J588	CONNECTOR	W116	11-1	EXTERNAL STORES CONTROL
J588	CONNECTOR	W116	14-1	HELLFIRE MISSILE
J588	CONNECTOR	W116	19-1	MULTIPLEX
J589	CONNECTOR	W116	11-2	EXTERNAL STORES JETTISON
J589	CONNECTOR	W116	13-1	AUXILIARY FUEL
J589	CONNECTOR	W116	14-1	HELLFIRE MISSILE
J589 SP1	SPLICE	W116	14-1	HELLFIRE MISSILE
J589 SP2	SPLICE	W116	14-1	HELLFIRE MISSILE
J589 SP3	SPLICE	W116	14-1	HELLFIRE MISSILE
J589 SP4	SPLICE	W116	14-1	HELLFIRE MISSILE
J591	CONNECTOR	W117	6-1	INTERCOMMUNICATION
J592	CONNECTOR	W116	6-1	INTERCOMMUNICATION
J599 (A510)	CONNECTOR	W636	4-1	AREA WEAPON SYSTEM (AWS)
J6 (A126)	CONNECTOR		20-8	EGI (ADD)
J6 (A2273)	CONNECTOR	W673	21-4	LASER DETECTING SET AN/AVR-2A(V)1 (ADP)
J6 (A323)	CONNECTOR	W642	12-4	STABILATOR
J6 (A326)	CONNECTOR	W646	8-1	DRIVE SYSTEM
J6 (A326)	CONNECTOR	W646	9-18	CAUTION AND WARNING
J6 (A326)	CONNECTOR	W646	9-19	EDGE LIGHTS
J6 (A326)	CONNECTOR	W646	10-1	ENVIRONMENTAL CONTROL SYSTEM (ECS)
J6 (A326)	CONNECTOR	W646	12-4	STABILATOR
J6 (A326)	CONNECTOR	W646	25-5	WINDSHIELD WIPERS
J6 (A402)	CONNECTOR	W668	5-1	AUXILIARY POWER UNIT (APU)
J6 (A402)	CONNECTOR	W668	9-1	AC ELECTRICAL POWER GENERATION

WIRING DIAGRAM DIRECTORY (cont)

REFDES	COMPONENT	CABLE	PARAGRAPH	WIRING DIAGRAM
J6 (A402)	CONNECTOR	W668	9-3	EXTERNAL POWER AND GROUND SERVICE UTILITY CONNECTOR
J6 (A402)	CONNECTOR	W668	9-4	BATTERY AND BATTERY CHARGER
J6 (A402)	CONNECTOR	W668	9-7	CIRCUIT PROTECTION (AC ESSENTIAL BUS 2-PILOT STATION)
J6 (A402)	CONNECTOR	W668	9-14	CIRCUIT PROTECTION (DC EMERGENCY BUS - CPG STATION)
J6 (A402)	CONNECTOR	W668	9-18	CAUTION AND WARNING
J6 (A402)	CONNECTOR	W668	10-1	ENVIRONMENTAL CONTROL SYSTEM (ECS)
J6 (A629)	CONNECTOR	W673	21-4	LASER DETECTING SET AN/AVR-2A(V)1 (ADP)
J6 (A629)	CONNECTOR	W255	22-1	PNVS
J6 (A629)	CONNECTOR	W255	24-1	TADS
J6 (A632)	CONNECTOR	W255	22-1	PNVS
J6 (A632)	CONNECTOR	W255	24-1	TADS
J6 (A632)	CONNECTOR	W255	26-1	SYMBOL GENERATOR
J6 (APU)	CONNECTOR		5-1	AUXILIARY POWER UNIT (APU)
J6 (EQ300)	CONNECTOR	W266	6-2	TSEC/KY-58 SECURITY COMMUNICATIONS EQUIPMENT
J6 (EQ300)	CONNECTOR	W266	6-3	UHF-AM RADIO SET
J6 (EQ300)	CONNECTOR	W266	6-4	VHF AM-FM RADIO SET AN/ARC-186 (ADH)
J6 (EQ300)	CONNECTOR	W266	6-4	VHF AM-FM RADIO SET AN/ARC-186 AND AN/ARC-201A (ADI)
J6 (HP1)	CONNECTOR	W119	9-18	CAUTION AND WARNING
J6 (HP1)	CONNECTOR	W119	15-1	HYDRAULIC

WIRING DIAGRAM DIRECTORY (cont)

REFDES	COMPONENT	CABLE	PARAGRAPH	WIRING DIAGRAM
J60	CONNECTOR	W118	8-1	DRIVE SYSTEM
J60	CONNECTOR	W118	9-18	CAUTION AND WARNING
J61	CONNECTOR	W119	8-1	DRIVE SYSTEM
J61	CONNECTOR	W119	9-18	CAUTION AND WARNING
J691	CONNECTOR	W118	9-19	EDGE LIGHTS
J692	CONNECTOR	W118	9-19	EDGE LIGHTS
J7 (A323)	CONNECTOR	W642	12-4	STABILATOR
J7 (A326)	CONNECTOR	W646	8-1	DRIVE SYSTEM
J7 (A326)	CONNECTOR	W646	9-18	CAUTION AND WARNING
J7 (A326)	CONNECTOR	W646	9-27	AUDIO WARNING
J7 (A326)	CONNECTOR	W646	12-4	STABILATOR
J7 (A326)	CONNECTOR	W646	18-1	ENGINE INSTRUMENTS
J7 (A326)	CONNECTOR	W646	23-1	POWER PLANTS
J7 (A402)	CONNECTOR	W668	9-1	BATTERY AND BATTERY CHARGER
J7 (A402)	CONNECTOR	W668	9-9	CIRCUIT PROTECTION (DC ESSENTIAL BUS 1-PILOT STATION)
J7 (A632)	CONNECTOR	W255	22-1	PNVS
J7 (A632)	CONNECTOR	W255	24-1	TADS
J7 (APU)	CONNECTOR		5-1	AUXILIARY POWER UNIT (APU)
J7 (EQ300)	CONNECTOR	W266	6-1	INTERCOMMUNICATION
J7 (EQ300)	CONNECTOR	W266	6-4	VHF AM-FM RADIO SET AN/ARC-186 (ADH)
J7 (EQ300)	CONNECTOR	W266	6-5	VHF AM-FM RADIO SET AN/ARC-186 AND AN/ARC-201A (ADI)
J7 (EQ300)	CONNECTOR	W266	9-27	AUDIO WARNING
J7 (EQ300)	CONNECTOR	W266	16-1	IFF
J755	CONNECTOR	W110	5-1	AUXILIARY POWER UNIT (APU)

WIRING DIAGRAM DIRECTORY (cont)

REFDES	COMPONENT	CABLE	PARAGRAPH	WIRING DIAGRAM
J755	CONNECTOR	W110	8-1	DRIVE SYSTEM
J755	CONNECTOR	W110	9-18	CAUTION AND WARNING
J756	CONNECTOR	W170	12-1	DASE (BUCS DEACTIVATED)
J756	CONNECTOR	W170	12-2	DASE (BUCS ACTIVATED)
J757	CONNECTOR	W119	25-6	FIRE DETECTION AND EXTINGUISHING
J758	CONNECTOR	W119	25-6	FIRE DETECTION AND EXTINGUISHING
J760 (HP4)	CONNECTOR	W170	15-1	HYDRAULIC
J764	CONNECTOR	W117	9-6	CIRCUIT PROTECTION (AC ESSENTIAL BUS 1-CPG STATION)
J764	CONNECTOR	W117	9-10	CIRCUIT PROTECTION (DC ESSENTIAL BUS 1-CPG STATION)
J764	CONNECTOR	W117	9-13	CIRCUIT PROTECTION (DC ESSENTIAL BUS 3-CPG STATION)
J764	CONNECTOR	W117	9-19	EDGE LIGHTS
J764	CONNECTOR	W117	10-1	ENVIRONMENTAL CONTROL SYSTEM (ECS)
J764	CONNECTOR	W117	17-1	IHADSS
J764	CONNECTOR	W117	20-3	DOPPLER NAVIGATION AN/ASN-137 (ADC)
J764	CONNECTOR	W117	20-3A	DOPPLER NAVIGATION AN/ASN-137 (ADD)
J764	CONNECTOR	W117	20-7	DATA TRANSFER UNIT (ADD)
J764	CONNECTOR	W117	20-8	EGI (ADD)
J772	CONNECTOR	W118	9-19	EDGE LIGHTS
J774	CONNECTOR	W119	9-19	EDGE LIGHTS
J8 (A323)	CONNECTOR	W642	20-2	DOPPLER NAVIGATION AN/ASN-128
J8 (A323)	CONNECTOR	W266	20-3	DOPPLER NAVIGATION AN/ASN-137 (ADC)
J8 (A323)	CONNECTOR	W266	20-3A	DOPPLER NAVIGATION AN/ASN-137 (ADD)
J8 (A323)	CONNECTOR	W642	20-4	HARS

WIRING DIAGRAM DIRECTORY (cont)

REFDES	COMPONENT	CABLE	PARAGRAPH	WIRING DIAGRAM
J8 (A326)	CONNECTOR	W646	8-1	DRIVE SYSTEM
J8 (A326)	CONNECTOR	W646	9-18	CAUTION AND WARNING
J8 (A326)	CONNECTOR	W646	9-19	EDGE LIGHTS
J8 (A326)	CONNECTOR	W646	10-1	ENVIRONMENTAL CONTROL
J8 (A632)	CONNECTOR	W255	22-1	PNVS
J8 (A632)	CONNECTOR	W256	24-1	TADS
J8 (APU)	CONNECTOR		5-1	AUXILIARY POWER UNIT (APU)
J885	CONNECTOR	W266	19-1	MULTIPLEX
J886	CONNECTOR	W266	19-1	MULTIPLEX
J887	CONNECTOR	W266	19-1	MULTIPLEX
J888	CONNECTOR	W266	19-1	MULTIPLEX
J888	CONNECTOR	W266	20-3A	DOPPLER NAVIGATION AN/ASN-137 (ADD)
J888	CONNECTOR	W266	20-7	DATA TRANSFER UNIT (ADD)
J889	CONNECTOR	W266	19-1	MULTIPLEX
J890	CONNECTOR	W266	19-1	MULTIPLEX
J891	CONNECTOR	W266	19-1	MULTIPLEX
J892	CONNECTOR	W266	19-1	MULTIPLEX
J9 (A326)	CONNECTOR	W646	9-19	EDGE LIGHTS
J9 (A402)	CONNECTOR	W668	3-1	AERIAL ROCKET CONTROL SYSTEM (ARCS)
J9 (A402)	CONNECTOR	W668	4-1	AREA WEAPON SYSTEM (AWS)
J9 (A402)	CONNECTOR	W668	9-28	SQUAT SWITCH
J9 (A402)	CONNECTOR	W668	14-1	HELLFIRE MISSILE
J9 (A632)	CONNECTOR	W255	22-1	PNVS
J9 (A632)	CONNECTOR	W255	24-1	TADS
J9 (APU)	CONNECTOR		5-1	AUXILIARY POWER UNIT (APU)
J906	CONNECTOR	W117	4-1	AREA WEAPON SYSTEM (AWS)
J907	CONNECTOR	W261	6-1	INTERCOMMUNICATION
J907	CONNECTOR	W261	9-27	AUDIO WARNING

WIRING DIAGRAM DIRECTORY (cont)

REFDES	COMPONENT	CABLE	PARAGRAPH	WIRING DIAGRAM
J908	CONNECTOR	W119	7-1	CHAFF DISPENSER
J908	CONNECTOR	W119	9-18	CAUTION AND WARNING
J908	CONNECTOR	W119	10-1	ENVIRONMENTAL CONTROL SYSTEM (ECS)
J908	CONNECTOR	W119	12-1	DASE (BUCS DEACTIVATED)
J908	CONNECTOR	W119	12-2	DASE (BUCS ACTIVATED)
J908	CONNECTOR	W119	18-2	NAVIGATION INSTRUMENTS
J908	CONNECTOR	W119	19-1	MULTIPLEX
J908	CONNECTOR	W119	21-2	RADAR JAMMER AN/ALQ-136
J908	CONNECTOR	W119	21-3	RADAR WARNING SET AN/APR-39(V)1 (ADN) AND AN/APR-39A(V)1 (ADO)
J908	CONNECTOR	W119	21-4	LASER DETECTING SET AN/AVR-2A(V)1 (ADP)
J908	CONNECTOR	W119	25-6	FIRE DETECTION AND EXTINGUISHING
J908	CONNECTOR	W119	26-2	VIDEO DISPLAY UNIT (VDU) AND VIDEO RECORDER
J909	CONNECTOR	W119	6-1	INTERCOMMUNICATION
J909	CONNECTOR	W119	6-2	TSEC/KY-58 COMMUNICATIONS SECURITY EQUIPMENT
J909	CONNECTOR	W119	6-3	UHF-AM RADIO SET
J909	CONNECTOR	W119	6-4	VHF AM-FM RADIO SET AN/ARC-186 (ADH)
J909	CONNECTOR	W119	6-5	VHF AM-FM RADIO SET AN/ARC-186 AND AN/ARC-201A (ADI)
J909	CONNECTOR	W119	9-19	EDGE LIGHTS
J909	CONNECTOR	W119	20-1	AUTOMATIC DIRECTION FINDER (ADF) AN/ARN-89
J909	CONNECTOR	W119	20-5	RADAR ALTIMETER (RADALT) SET
J909	CONNECTOR	W119	20-6	AUTOMATIC DIRECTION FINDER (ADF) AN/ARN-149
J909	CONNECTOR	W119	20-7	DATA TRANSFER UNIT (ADD)

WIRING DIAGRAM DIRECTORY (cont)

REFDES	COMPONENT	CABLE	PARAGRAPH	WIRING DIAGRAM
J909 SP1	SPLICE	W119	6-1	INTERCOMMUNICATION
J909 SP2	SPLICE	W119	6-1	INTERCOMMUNICATION
J910	CONNECTOR	W211	5-1	AUXILIARY POWER UNIT (APU)
J910	CONNECTOR	W211	9-18	CAUTION AND WARNING
J910	CONNECTOR	W211	20-4	HARS
J911	CONNECTOR	W211	12-4	STABILATOR
J912	CONNECTOR	W119	12-1	DASE (BUCS DEACTIVATED)
J912	CONNECTOR	W119	12-2	DASE (BUCS ACTIVATED)
J912	CONNECTOR	W119	21-2	RADAR JAMMER AN/ALQ-136
J912	CONNECTOR	W119	26-2	VIDEO DISPLAY UNIT (VDU) AND VIDEO RECORDER
J913 (A605)	CONNECTOR	W262	17-1	IHADSS
J914	CONNECTOR	W119	9-18	CAUTION AND WARNING
J914	CONNECTOR	W119	13-4	PRESSURE REFUELING/DEFUELING
J914	CONNECTOR	W119	15-1	HYDRAULIC
J914	CONNECTOR	W119	18-2	NAVIGATION INSTRUMENTS
J914	CONNECTOR	W119	21-3	RADAR WARNING SET AN/APR-39(V)1 (ADN) AND AN/APR-39A(V)1 (ADO)
J914	CONNECTOR	W119	21-4	LASER DETECTING SET AN/AVR-2A(V)1 (ADP)
J914	CONNECTOR	W119	25-6	FIRE DETECTION AND EXTINGUISHING
J915	CONNECTOR	W261	9-18	CAUTION AND WARNING
J915	CONNECTOR	W261	13-3	FUEL QUANTITY INDICATION/TRANSFER
J915	CONNECTOR	W261	13-4	PRESSURE REFUELING/DEFUELING
J916	CONNECTOR	W119	5-1	AUXILIARY POWER UNIT (APU)
J916	CONNECTOR	W119	7-1	CHAFF DISPENSER
J917 (A604)	CONNECTOR	W262	17-1	IHADSS
J919	CONNECTOR	W211	7-1	CHAFF DISPENSER
J919	CONNECTOR	W211	12-4	STABILATOR

WIRING DIAGRAM DIRECTORY (cod)

REFDES	COMPONENT	CABLE	PARAGRAPH	WIRING DIAGRAM
J919	CONNECTOR	W211	21-3	RADAR WARNING SET AN/APR-39(V)1 (ADN) AND AN/APR-39A(V)1 (ADO)
J919	CONNECTOR	W211	21-4	LASER DETECTING SET AN/AVR-2A(V)1 (ADP)
J92	CONNECTOR	W102	7-1	CHAFF DISPENSER
J921	CONNECTOR	W117	3-1	AERIAL ROCKET CONTROL SYSTEM (ARCS)
J921	CONNECTOR	W117	4-1	AREA WEAPON SYSTEM (AWS)
J921	CONNECTOR	W117	14-1	HELLFIRE MISSILE
J921	CONNECTOR	W117	17-1	IHADSS
J921	CONNECTOR	W117	19-1	MULTIPLEX
J921	CONNECTOR	W117	20-3A	DOPPLER NAVIGATION AN/ASN-137 (ADD)
J921	CONNECTOR	W117	20-5	RADAR ALTIMETER (RADALT) SET
J921	CONNECTOR	W117	20-7	DATA TRANSFER UNIT (ADD)
J921	CONNECTOR	W117	20-8	EGI (ADD)
J922	CONNECTOR	W117	4-1	AREA WEAPON SYSTEM (AWS)
J922	CONNECTOR	W117	19-1	MULTIPLEX
J922	CONNECTOR	W117	22-1	PNVS
J935	CONNECTOR	W211	12-4	STABILATOR
J95	CONNECTOR	W211	7-1	CHAFF DISPENSER
J96	CONNECTOR	W170	7-1	CHAFF DISPENSER
J97	ARM/TEST RCPT	W170	7-1	CHAFF DISPENSER
J975	CONNECTOR	W205	21-2	RADAR JAMMER AN/ALQ-136
J993	CONNECTOR	W119	9-19	EDGE LIGHTS
J993	CONNECTOR	W119	12-4	STABILATOR
J993 SP1	SPLICE	W119	9-19	EDGE LIGHTS
J993 SP2	SPLICE	W119	9-19	EDGE LIGHTS
J993 SP3	SPLICE	W119	12-4	STABILATOR
J993 SP4	SPLICE	W119	12-4	STABILATOR
J994	CONNECTOR	W119	9-19	EDGE LIGHTS

WIRING DIAGRAM DIRECTORY (cont)

REFDES	COMPONENT	CABLE	PARAGRAPH	WIRING DIAGRAM
J994	CONNECTOR	W119	12-4	STABILATOR
J994 SP1	SPLICE	W119	9-19	EDGE LIGHTS
J994 SP2	SPLICE	W119	9-19	EDGE LIGHTS
J995 (L46)	CONNECTOR	W189	12-4	STABILATOR
J996 (L46)	CONNECTOR	W170	12-4	STABILATOR
J997	CONNECTOR	W211	12-4	STABILATOR
J998	CONNECTOR	W102	12-4	STABILATOR
J999	CONNECTOR		25-3	ROTOR BLADES DE-ICE
K1 (A1 A131)	ENGINE 1 FUEL VALVE CLOSE/ENG START RELAY	W612	13-2	FUEL CROSSFEED/BOOST
K1 (A1 A138)	PRI BTL DISCH LIGHT CONT RELAY	W616	25-6	FIRE DETECTION AND EXTINGUISHING
K1 (A128)	RELAY		20-3A	DOPPLER NAVIGATION AN/ASN-137 (ADD)
K1 (A128)	RELAY		20-7	DATA TRANSFER UNIT (ADD)
K1 (A128)	RELAY		20-8	EGI (ADD)
K1 (A402)	GEN 1 CONTACTOR	W668	9-1	AC ELECTRICAL POWER GENERATION
K1 (A402)	GEN 1 CONTACTOR	W668	9-3	EXTERNAL POWER AND GROUND SERVICE UTILITY CONNECTOR
K1 (A701)	SEARCH/LANDING LIGHT RELAY	W117	9-24	LANDING/SEARCH LIGHTS
K1 (A78)	POWER CHECK LIGHT RELAY	W613	23-1	POWER PLANTS
K1-1 (A337)	ENG 1 BLEED AIR RELAY	W656	25-2	ENGINE ANTI-ICE
K1-1/2 (A323)	AUTO/MAN POWER RELAY	W642	12-4	STABILATOR
K1-1/2 (A326)	LANDING SEARCH LIGHT RELAY	W646	9-24	LANDING/SEARCH LIGHTS
K1-1/2 (A329)	AUTO/MAN POWER RELAY	W651	12-4	STABILATOR
K1-1/2 (A330)	ENG 1 RUN/CHOP RELAY	W652	23-1	POWER PLANTS

WIRING DIAGRAM DIRECTORY (cont)

<u>REFDES</u>	<u>COMPONENT</u>	<u>CABLE</u>	<u>PARA</u>	<u>WIRING DIAGRAM</u>
KI-V2 iA700)	RADAR JAMMER LIGHTS DIMMING RELAY	W602	21-2	RADAR JAMMER AN/ALQ-136
K1-2 (A337)	ENG 2 BLEED AIR RELAY	W656	25-2	ENGINE ANTI-ICE
K1-3 (A323)	MAN CONT NOSE UP	W642	12-4	STABILATOR RELAY
K1-3 (A330)	ENG 1 CLEAR RELAY	W652	23-1	POWER PLANTS
K1-3 (A402)	MUX/FCC PWR RELAY	W668	19-1	MULTIPLEX
K1-34 (A326)	FAB FANS STANDBY RELAY	W646	10-1	ENVIRONMENTAL CONTROL SYSTEM (ECS)
K1-3/4 (A329)	MANUAL MODE LOCK SELECT RELAY	W651	12-4	STABILATOR
K1-4 (A402)	RHE POWER ENABLE RELAY	W668	14-1	HELLFIRE MISSILE
K1-5 (A329)	MANUAL CONTROL NOSE DOWN RELAY	W651	12-4	STABILATOR
K1-5 (A402)	ARM POWER ENABLE RELAY	W668	14-1	HELLFIRE MISSILE
K1-5/6 (A326)	FAB FANS NORMAL RELAY	W668	10-1	ENVIRONMENTAL CONTROL SYSTEM (ECS)
K1-5/6 (A330)	ENG 1 START RELAY	W652	23-1	POWER PLANTS
K1-5/6 (A337)	RELAY	W656	25-2	ENGINE ANTI-ICE
K1-6 (A329)	AUTO RESET RELAY	W651	12-4	STABILATOR
K1-6 (A402)	BLADE DE-ICE RELAY	W668	25-3	ROTOR BLADES DE-ICE
K1-7 (A329)	APPROACH 1 LIGHT RELAY	W651	12-4	STABILATOR
K1-7 (A402)	CAUTION/WARNING ISOLATION RELAY	W668	9-18	CAUTION AND WARNING
K1-7/8 (A330)	ENG 1 IGNITION CUTOFF RELAY	W652	23-1	POWER PLANTS

WIRING DIAGRAM DIRECTORY (cont)

<u>REFDES</u>	<u>COMPONENT</u>	<u>CABLE</u>	<u>PARAGRAPH</u>	<u>WIRING DIAGRAM</u>
K1-8 (A329)	APPROACH 2 AUDIO	W651	12-4	STABILATOR RELAY
K1-9/10	TRIM BRAKE RELAY	W668	12-3	FORCE TRIM (A402)
K2 (AI A131)	ENGINE 1 FUEL VALVE	W612	13-2	FUEL CROSSFEED/BOOST CLOSE/ENG START RELAY
K2 (AI A138)	RES BTL DISCH LIGHT CONT RELAY	W616	25-6	FIRE DETECTION AND EXTINGUISHING
K2 (A128)	RELAY		20-3A	DOPPLER NAVIGATION AN/ASN-137 ADD)
K2 (A128)	RELAY		20-7	DATA TRANSFER UNIT (ADD)
K2 (A128)	RELAY		20-8	EGI (ADD)
K2 (A402)	GEN 2 CONTACTOR	W668	9-1	AC ELECTRICAL POWER GENERATION
K2 (A402)	GEN 2 CONTACTOR	W668	9-3	EXTERNAL POWER AND GROUND SERVICE UTILITY CONNECTOR
K2-V2 (A330)	ENG 2 RUN/CHOP RELAY	W652	23-1	POWER PLANTS
K2-12 (A402)	SDC THROTTLE TIME DELAY RELAY	W668	5-1	AUXILIARY POWER UNIT (APU)
K2-1/2 (A402)	SDC THROTTLE TIME DELAY RELAY	W668	15-2	PRESSURIZED AIR SYSTEM (PAS)
K2-3 (A330)	ENG 2 CLEAR RELAY	W652	23-1	POWER PLANTS
K2-4 (A402)	OAS HTR CONT RELAY	W668	25-4	PITOT ANTI-ICE
K2-5/6 (A330)	ENG 2 START RELAY	W652	23-1	POWER PLANTS
K2-5/6 (A402)	LAUNCHER DC PWR ENABLE RELAY	W668	14-1	HELLFIRE MISSILE
K2-7/8 (A330)	ENG 2 IGNITION CUTOFF RELAY	W652	23-1	POWER PLANTS
K2-7/8 (A402)	MUX/FCC PWR RELAY	W668	19-1	MULTIPLEX
K2-9/10 (A402)	ENGINE STARTER DROP OUT DELAY RELAY	W668	10-1	ENVIRONMENTAL CONTROL SYSTEM (ECS)
K2-9/10 (A402)	ENGINE STARTER DROP OUT DELAY RELAY	W668	23-1	POWER PLANTS

WIRING DIAGRAM DIRECTORY (cont)

REFDES	COMPONENT	CABLE	PARAGRAPH	WIRING DIAGRAM
K3 (AI A131)	ENGINE 2 FUEL VALVE CLOSE/ENG START RELAY	W61213-2		FUEL CROSSFEED/BOOST
K3 (A128)	RELAY		20-3A	DOPPLER NAVIGATION AN/ASN-137 (ADD)
K3 (A128)	RELAY		20-7	DATA TRANSFER UNIT (ADD)
K3 (A128)	RELAY		20-8	EGI (ADD)
K3 (A138)	START RELAY	W616	5-1	AUXILIARY POWER UNIT (APU)
K3 (A402)	BLADE DE-ICE CONTACTOR	W668	9-1	AC ELECTRICAL POWER GENERATION
K3 (A402)	BLADE DE-ICE CONTACTOR	W668	25-3	ROTOR BLADES DE-ICE
K3-1/2 (A402)	REMOTE SAFE DRIVE S1 AND S2 RELAY	W668	14-1	HELLFIRE MISSILE
K3-3 (A402)	RADAR JAM. RELAY	W668	21-2	RADAR JAMMER AN/ALQ- 136
K3-4 (A402)	REFUEL VALVE CAUTION RELAY	W668	13-4	PRESSURE REFUELING/DEFUELING
K3-5/6 (A402)	LAUNCHERP ENABLE RELAY	WRW668	14-1	HELLFIRE MISSILE
K3-7 (A402)	FLAG RELAY	W668	20-4	HARS
K3-9/10 (A402)	REMOTE SAFE DRIVE S3 AND S4 RELAY	W668	14-1	HELLFIRE MISSILE
K320	SEARCHLIGHT RELAY	W118	9-24	LANDING/SEARCH LIGHT
K34	TAIL WHEEL LOCK RELAY	W170	15-1	HYDRAULIC
K4 (AI A131)	ENGINE 2 FUEL VALVNE CLOSE/ENG START RELAY	W612	13-2	FUEL CROSSFEED/BOOST
K4 (A128)	RELAY		20-3A	DOPPLER NAVIGATION AN/ASN-137 (ADD)
K4 (A128)	RELAY		20-7	DATA TRANSFER UNIT (ADD)
K4 (A128)	RELAY		20-8	EGI (ADD)
K4-1/2 (A402)	SQUAT RELAY SYSTEM (ARCS)	W668	3-1	AERIAL ROCKET CONTROL
K4-1/2 (A402)	SQUAT RELAY	W668	4-1	AREA WEAPON SYSTEM (AWS)

WIRING DIAGRAM DIRECTORY (cont)

REFDES	COMPONENT	CABLE	PARAGRAPH	WIRING DIAGRAM
K4-1/2 (A402)	SQUAT RELAY	W668	9-1	AC ELECTRICAL POWER GENERATION
K4-1Y2 (A402)	SQUAT RELAY	W668	9-28	SQUAT SWITCH
K4-12 (A402)	SQUAT RELAY	W668	11-1	EXTERNAL STORES CONTROL
K4-V2 (A402)	SQUAT RELAY	W668	12-1	DASE (BUCS DEACTIVATED)
K4-1/2 (A402)	SQUAT RELAY	W668	12-2	DASE (BUCS ACTIVATED)
K4-1/2 (A402)	SQUAT RELAY	W668	16-1	IFF
K43/4 (A402)	AFT AVIONICS FAN RELAY	W668	10-1	ENVIRONMENTAL CONTROL SYSTEM (ECS)
K4-5/6 (A402)	AIR DATA SUBSYSTEM	W668	2-1	AIR DATA SYSTEM (ADS) CONTROL RELAY
K4-5/6 (A402)	AIR DATA SUBSYSTEM CONTROL RELAY	W668	9-5	CIRCUIT PROTECTION (AC ESSENTIAL BUS 1 - PILOT STATION)
K4-7 (A402)	ECS AIR SHUTOFF VALVE/ENGINE START INTERLOCK RELAY	W668	10-1	ENVIRONMENTAL CONTROL SYSTEM (ECS)
K4-7 (A402)	ECS AIR SHUTOFF VALVE/ENGINE START INTERLOCK RELAY	W668	23-1	POWER PLANTS
K4-7 (A402)	ECS AIR SHIUTOFF VALVE/ENGINE START INTERLOCK RELAY	W668	25-2	ENGINE ANTI-ICE
K4-8 (A402)	ENCU RELAY CONTROL SYSTEM (ECS)	W668	10-1	ENVIRONMENTAL
K4-9/10 (A402)	SQUAT RELAY	W668	4-1	AREA WEAPON SYSTEM (AWS)
K4-9/10 (A402)	SQUAT RELAY	W668	6-1	INTERCOMMUNICATION
K4-9/10 (A402)	SQUAT RELAY	W668	9-28	SQUAT SWITCH
K4-9/10 (A402)	SQUAT RELAY	W668	25-7	TAD/PNVS ANTI-ICE CONTROLS

WIRING DIAGRAM DIRECTORY (cont)

REFDES	COMPONENT	CABLE	PARAGRAPH	WIRING DIAGRAM
K5 (A1 A131)	FUEL TRANSFER CAUTION RELAY	W612	13-3	FUEL QUANTITY INDICATION/TRANSFER
K5 (AI A131)	FUEL TRANSFER CAUTION RELAY	W612	13-4	PRESSURE REFUELING/DEFUELING
K5 (A128)	RELAY		20-3A	DOPPLER NAVIGATION AN/ASN-137 (ADD)
K5(A128)	RELAY		20-7	DATA TRANSFER UNIT (ADD)
K5 (A128)	RELAY		20-8	EGI (ADD)
K5-10 (A402)	ICE DETECT RELAY	W668	25-2	ENGINE ANTI-ICE
K5-10 (A402)	ICE DETECT RELAY	W668	25-3	ROTOR BLADES DE-ICE
K5-10 (A402)	ICE DETECT RELAY	W668	25-	PITOT ANTI-ICE
K5-2 (A402)	DOPPLER ON/OFF RELAY	W668	20-3	DOPPLER NAVIGATION AN/ASN-137 (ADC)
K5-2 (A402)	DOPPLER ON/OFF RELAY	W668	20-3A	DOPPLER NAVIGATION AN/ASN-137 (ADD)
K5-3/4 (A402)	ZEROIZE RELAY	W668	20-3A	DOPPLER NAVIGATION AN/ASN-137 (ADD)
K54 (A402)	ZEROIZE RELAY	W668	20-7	DATA TRANSFER UNIT (ADD)
K5-3/4 (A402)	ZEROIZE RELAY	W668	20-8	EGI (ADD)
K5-5 (A402)	DOPPLER ANTENNA POWER RELAY	W668	20-3A	DOPPLER NAVIGATION AN/ASN-137 (ADD)
K6	BATTERY RELAY	W108	9-4	BATTERY AND BATTERY CHARGER
K6 (A128)	RELAY		20-3A	DOPPLER NAVIGATION AN/ASN-137 (ADD)
K6 (A128)	RELAY		20-8	EGI (ADD)
K7 (A402)	EXTERNAL POWER CONTACTOR	W668	9-1	AC ELECTRICAL POWER GENERATION
K7 (A402)	EXTERNAL POWER CONTACTOR	W668	9-3	EXTERNAL POWER AND GROUND SERVICE UTILITY CONNECTOR
K8	CDU DATA BUS RELAY		20-3A	DOPPLER NAVIGATION AN/ASN-137 (ADD)
K9	SDCC DATA BUS RELAY		20-3A	DOPPLER NAVIGATION AN/ASN-137 (ADD)

WIRING DIAGRAM DIRECTORY (cont)

REFDES	COMPONENT	CABLE	PARAGRAPH	WIRING DIAGRAM
L1	ENG 1 CROSSFEED/ SHUTOFF VALVE		13-2	FUEL CROSSFEED/BOOST
L1	ENGINE 1 INLET ANTI-ICE VALVE		25-2	ENGINE ANTI-ICE
L11	ENG 1 LOUVER ACTUATOR SHUTOFF VALVE		25-6	FIRE DETECTION AND EXTINGUISHING
L12	ENG 2 LOUVER ACTUATOR SHUTOFF VALVE		25-6	FIRE DETECTION AND EXTINGUISHING
L13	SDC INLET THROTTLE VALVE		5-1	AUXILIARY POWER UNIT (APU)
L13	SDC INLET THROTTLE VALVE		15-2	PRESSURIZED AIR SYSTEM (PAS)
L14	AUXILIARY TANK PRESSURE VALVE		13-1	AUXILIARY FUEL
L15	BOOST PUMP AIR VALVE		13-2	FUEL CROSSFEED/BOOST
L17	FUEL TRANSFER SHUTOFF VALVE		13-4	PRESSURE REFUELING/DEFUELING
L2	ENG 2 FUEL CROSSFEED/ SHUTOFF VALVE		13-2	FUEL CROSSFEED/BOOST
L2	ENGINE 2 INLET ANTI-ICE VALVE		25-2	ENGINE ANTI-ICE
L20	APU FUEL SHUTOFF VALVE		5-1	ALUXILIARY POWER UNIT (APU)
L21	PILOT DIRECTIONAL (YAW) TRIM MAGNETIC BRAKE		12-3	FORCE TRIM
L22	PILOT LATERAL (ROLL) TRIM MAGNETIC BRAKE		12-3	FORCE TRIM
L23	PILOT LONGITUDINAL (PITCH) TRIM MAGNETIC BRAKE		12-3	FORCE TRIM
L24 (A24)	QUADRANT INTERLOCK SOLENOID		15-1	HYDRAULIC
L3	FUEL TRANSFER AIR CONTROL VALVE		13-3	FUEL QUANTITY INDICATION/TRANSFER
L3	ENGINE 1 STARTER REGULATOR VALVE		23-1	POWER PLANTS
L33	COLLECTIVE SERVOCYLINDER		12-1	DASE (BUCS DEACTIVATED)

WIRING DIAGRAM DIRECTORY (cont)

REFDES	COMPONENT	CABLE	PARAGRAPH	WIRING DIAGRAM
L33	COLLECTIVE SERVOCYLINDER		12-2	DASE (BUCS ACTIVATED)
L34	LONGITUDINAL PITCH SERVOCYLINDER		12-1	DASE (BUCS DEACTIVATED)
L34	LONGITUDINAL (PITCH) SERVOCYLINDER	W211	12-2	DASE (BUCS ACTIVATED)
L35	LATERAL (ROLL) SERVOCYLINDER		12-1	DASE (BUCS DEACTIVATED)
L35	LATERAL (ROLL) SERVOCYLINDER		12-2	DASE (BUCS ACTIVATED)
L36	DIRECTIONAL YAW SERVOCYLINDER		12-1	DASE (BUCS DEACTIVATED)
L36	DIRECTIONAL YAW SERVOCYLINDER		12-2	DASE (BUCS ACTIVATED)
L38	ECS SHUTOFF VALVE CONTROL SYSTEM (ECS)		10-1	ENVIRONMENTAL
L39	TEMPERATURE CONTROL VALVE		10-1	ENVIRONMENTAL CONTROL SYSTEM (ECS)
L4	AUX FUEL SHUTOFF VALVE		13-1	AUXILIARY FUEL
L4	ENGINE 2 STARTER REGULATOR VALVE		23-1	POWER PLANTS
L44	APU FUEL BOOST PUMP		5-1	AUXILIARY POWER UNIT (APU)
L45	DEFOG SHUTOFF VALVE ANTI-ICE		25-1	CANOPY DEFOG AND
LA6	STABILATOR SERVOCYLINDER		12-4	STABILATOR
L47 (A335)	BITE INDICATOR	W655	13-5	NITROGEN INERTING
L47 SP1	SPLICE	W655	13-5	NITROGEN INERTING
L47 SP2	SPLICE	W655	135	NITROGEN INERTING
LA8	FUEL VENT SHUTOFF VALVE		14	PRESSURE REFUELING/DEFUELING
L5	AUX FUEL SHUTOFF VALVE		13-1	AUXILIARY FUEL
L5 (A24)	LH SOLENOID		23-1	POWER PLANTS
L50	ICE DETECTOR WARM AIR SUPPLY VALVE		25-3	ROTOR BLADES DE-ICE
L6 (A24)	RH SOLENOID		23-1	POWER PLANTS

WIRING DIAGRAM DIRECTORY (cont)

REFDES	COMPONENT	CABLE	PARAGRAPH	WIRING DIAGRAM
L7	OIL SYSTEM 1 SUMP UNIT FLOAT DIVERTER VALVE	W110	8-1	DRIVE SYSTEM
L7 SP1	SPLICE	W110	8-1	DRIVE SYSTEM
L7 SP2	SPLICE	W110	8-1	DRIVE SYSTEM
L8	OIL SYSTEM 2 SUMP UNIT FLOAT DIVERTER VALVE	W110	8-1	DRIVE SYSTEM
M1	PILOT ENG RTR RPM INDICATOR		9-19	EDGE LIGHTS
M1	PILOT ENG RTR RPM INDICATOR		18-1	ENGINE INSTRUMENTS
M1 (A57)	REFUEL INDICATOR REFUELING/DEFUELING	W608	13-4	PRESSURE
M1 (A331)	METER		9-19	EDGE LIGHTS
M1 (A331)	METER		25-3	ROTOR BLADES DE-ICE
M1 (A338)	ICING SEVERITY LAMP	W657	5-1	AUXILIARY POWER UNIT (APU)
M1 SP1	SPLICE	W657	5-1	AUXILIARY POWER UNIT (APU)
M1 SP2	SPLICE (APU)	W657	5-1	AUXILIARY POWER UNIT
M17	PILOT FUEL QUANTITY INDICATOR		9-19	EDGE LIGHTS
M17	PILOT FUEL QUANTITY INDICATOR		13-3	FUEL QUANTITY INDICATION/TRANSFER
M17	PILOT FUEL QUANTITY INDICATOR		18-1	ENGINE INSTRUMENTS
M19	AIRSPPEED INDICATOR		9-19	EDGE LIGHTS
M2	PILOT ENGINE TORQUE INDICATOR		9-19	EDGE LIGHTS
M2	PILOT ENGINE TORQUE INDICATOR		18-1	ENGINE INSTRUMENTS
M20	VERTICAL SPEED INDICATOR		9-19	EDGE LIGHTS
M21	CLOCK		9-19	EDGE LIGHTS

WIRING DIAGRAM DIRECTORY (cont)

<u>REFDES</u>	<u>COMPONENT</u>	<u>CABLE</u>	<u>PARAGRAPH</u>	<u>WIRING DIAGRAM</u>
M22	ACCELEROMETER INDICATOR		9-19	EDGE LIGHTS
M23	PILOT MAGNETIC COMPASS		9-19	EDGE LIGHTS
M24	AIRSPEED INDICATOR		9-19	EDGE LIGHTS
M25	VERTICAL SPEED INDICATOR		9-19	EDGE LIGHTS
M28	DUAL HYD PRESS INDICATOR		9-19	EDGE LIGHTS
M28	DUAL HYD PRESS INDICATOR		15-1	HYDRAULIC
M29	EMERG HYD PRESS INDICATOR		15-1	HYDRAULIC
M3	PILOT ENGINE GAS GENERATOR NG RPM INDICATOR		9-19	EDGE LIGHTS
M3	PILOT ENGINE GAS GENERATOR NG RPM INDICATOR		18-1	ENGINE INSTRUMENTS
M30	CPG REMOTE ATTITUDE INDICATOR		9-19	EDGE LIGHTS
M30	CPG REMOTE ATTITUDE INDICATOR		18-2	NAVIGATION INSTRUMENTS
M30	CPG REMOTE ATTITUDE INDICATOR		20-4	HARS
M300	INDICATOR/RECEIVER/ TRANSMITTER		20-5	RADAR ALTIMETER (RADALT) SET
M301	PILOT BAROMETRIC ALTIMETER		9-19	EDGE LIGHTS
M301	PILOT BAROMETRIC ALTIMETER		16-1	IFF
M302	PILOT STANDBY ATTITUDE INDICATOR		9-19	EDGE LIGHTS

WIRING DIAGRAM DIRECTORY (cont)

<u>REFDES</u>	<u>COMPONENT</u>	<u>CABLE</u>	<u>PARAGRAPH</u>	<u>WIRING DIAGRAM</u>
M303	PILOT HORIZONTAL SITUATION INDICATOR		9-19	EDGE LIGHTS
M303	PILOT HORIZONTAL SITUATION INDICATOR		18-2	NAVIGATION INSTRUMENTS
M303	PILOT HORIZONTAL SITUATION INDICATOR		20-2	DOPPLER NAVIGATION AN/ASN-128
M303	PILOT HORIZONTAL SITUATION INDICATOR		20-3	DOPPLER NAVIGATION AN/ASN-137 (ADC)
M303	PILOT HORIZONTAL SITUATION INDICATOR		20-3A	DOPPLER NAVIGATION AN/ASN-137 (ADD)
M303	PILOT HORIZONTAL SITUATION INDICATOR		20-4	HARS
M305	CPG BAROMETRIC ALTIMETER		9-19	EDGE LIGHTS
M309	REMOTE HEIGHT INDICATOR		9-19	EDGE LIGHTS
M309	REMOTE HEIGHT INDICATOR		20-5	RADAR ALTIMETER (RADALT) SET
M313	CPG RADIO MAGNETIC INDICATOR		9-19	EDGE LIGHTS
M313	CPG RADIO MAGNETIC INDICATOR		18-2	NAVIGATION INSTRUMENTS
M313	CPG RADIO MAGNETIC INDICATOR		20-1	AUTOMATIC DIRECTION FINDER (ADF) AN/ARN-89
M313	CPG RADIO MAGNETIC INDICATOR		20-4	HARS
M4	PILOT TGT INDICATOR		9-19	EDGE LIGHTS
M4	PILOT TGT INDICATOR		18-1	ENGINE INSTRUMENTS
M49	CLOCK		9-19	EDGE LIGHTS
M51	PILOT STABILATOR POSITION INDICATOR		9-19	EDGE LIGHTS
M51	PILOT STABILATOR POSITION INDICATOR		12-4	STABILATOR
M52	CPG STABILATOR POSITION INDICATOR		9-19	EDGE LIGHTS

WIRING DIAGRAM DIRECTORY (cont)

REFDES	COMPONENT	CABLE	PARAGRAPH	WIRING DIAGRAM
M52	CPG STABILATOR POSITION INDICATOR		12-4	STABILATOR
M53	JAM/TEST/GO/NO-GO INDICATOR		21-2	RADAR JAMMER AN/ALQ-136
M6	PILOT OIL PSI X 10 INDICATOR		9-18	CAUTION AND WARNING
M6	PILOT OIL PSI X 10 INDICATOR		9-19	EDGE LIGHTS
M6	PILOT OIL PSI X 10 INDICATOR		18-1	ENGINE INSTRUMENTS
M7	CPG ENGINE RTR RPM INDICATOR		9-19	EDGE LIGHTS
M7	CPG ENGINE RTR RPM INDICATOR		18-1	ENGINE INSTRUMENTS
M8	CPG ENGINE TORQUE INDICATOR		9-19	EDGE LIGHTS
M8	CPG ENGINE TORQUE INDICATOR		18-1	ENGINE INSTRUMENTS
M9	CPG SELECTABLE DIGITAL DISPLAY PANEL		9-19	EDGE LIGHTS
M9	SELECTABLE DIGITAL DISPLAY PANEL		18-1	ENGINE INSTRUMENTS
MT1	CPG DIRECTIONAL (YAW) LVDT		12-1	DASE (BUCS DEACTIVATED)
MT1	CPG DIRECTIONAL (YAW) LVDT		12-2	DASE (BUCS ACTIVATED)
MT10	OIL SYSTEM 2 PRESSURE TRANSDUCER (HEAT EXCHANGER)	W167	8-1	DRIVE SYSTEM
MT11	OIL PRESS TRANSDUCER (ENGINE 1 NOSE GEARBOX)	W161	8-1	DRIVE SYSTEM

WIRING DIAGRAM DIRECTORY (cont)

REFDES	COMPONENT	CABLE	PARAGRAPH	WIRING DIAGRAM
MT15	OIL TEMP TRANSDUCER (ENGINE 1 NOSE GEARBOX)	W161	8-1	DRIVE SYSTEM
MT16	OIL TEMP TRANSDUCER (ENGINE 2 NOSE GEARBOX)	W162	8-1	DRIVE SYSTEM
MT17	AIRSPEED XDCR 1		12-4	STABILATOR
MT18	AIRSPEED XDCR 2		12-4	STABILATOR
MT19	STABILATOR POSITION TRANSDUCER		12-4	STABILATOR
MT2	CPG LATERAL (ROLL) LVDT		12-1	DASE (BUCS DEACTIVATED)
MT2	CPG LATERAL (ROLL) LVDT		12-2	DASE (BUCS ACTIVATED)
MT3	CPG LONGITUDINAL (PITCH) LVDT		12-1	DASE (BUCS DEACTIVATED)
MT3	CPG LONGITUDINAL (PITCH) LVDT		12-2	DASE (BUCS ACTIVATED)
MT30	FORWARD VERTICAL ACCELEROMETER		9-18	CAUTION AND WARNING
MT31	HORIZONTAL ACCELEROMETER		9-18	CAUTION AND WARNING
MT32	MAGNETIC PICKUP		9-18	CAUTION AND WARNING
MT33	INTERMEDIATE GEARBOX ACCELEROMETER		9-18	CAUTION AND WARNING
MT34	TAIL ROTOR GEARBOX ACCELEROMETER		9-18	CAUTION AND WARNING
MT4	CPG COLLECTIVE (VERTICAL) LVDT		12-1	DASE (BUCS DEACTIVATED)
MT4	CPG COLLECTIVE (VERTICAL) LVDT		12-2	DASE (BUCS ACTIVATED)
MT5	PILOT DIRECTIONAL (YAW) LVDT		12-1	DASE (BUCS DEACTIVATED)

WIRING DIAGRAM DIRECTORY (cont)

REFDES	COMPONENT	CABLE	PARAGRAPH	WIRING DIAGRAM
MT5	PILOT DIRECTIONAL (YAW) LVDT		12-2	DASE (BUCS ACTIVATED)
MT6	PILOT LATERAL (ROLL) LVDT		12-1	DASE (BUCS DEACTIVATED)
MT6	PILOT LATERAL (ROLL) LVDT		12-2	DASE (BUCS ACTIVATED)
MT7	PILOT LONGITUDINAL (PITCH) LVDT		12-1	DASE (BUCS DEACTIVATED)
MT7	PILOT LONGITUDINAL (PITCH) LVDT		12-2	DASE (BUCS ACTIVATED)
MT8	PILOT COLLECTIVE (VERTICAL) LVDT		12-1	DASE (BUCS DEACTIVATED)
MT8	PILOT COLLECTIVE (VERTICAL) LVDT		12-2	DASE (BUCS ACTIVATED)
MT9	OIL SYSTEM 1 PRESSURE TRANSDUCER	W159	8-1	DRIVE SYSTEM
P1	CONNECTOR	W266	6-1	INTERCOMMUNICATION
P1	CONNECTOR	W266	6-3	UHF-AM RADIO SET
P1	CONNECTOR	W266	6-4	VHF AM-FM RADIO SET AN/ARC-186 (ADH)
P1	CONNECTOR	W266	6-5	VHF AM-FM RADIO SET AN/ARC-136 AND AN/ARC-201A (ADI)
P1	CONNECTOR (EXTERNAL FUEL TANK)		13-1	AUXILIARY FUEL
P1 (A110)	CONNECTOR	W627	9-19	EDGE LIGHTS
P1 (A139)	CONNECTOR	W609	9-18	CAUTION AND WARNING
P1 (A139)	CONNECTOR	W609	9-19	EDGE LIGHTS
P1 (A139)	CONNECTOR	W609	10-1	ENVIRONMENTAL CONTROL SYSTEM (ECS)
P1 (A322)	CONNECTOR	W643	9-19	EDGE LIGHTS
P1 (A322)	CONNECTOR	W643	9-20	CPG UTILITY AND SECONDARY LIGHTS
P1 (A322)	CONNECTOR	W643	25-6	FIRE DETECTION AND EXTINGUISHING

WIRING DIAGRAM DIRECTORY (cont)

REFDES	COMPONENT	CABLE	PARAGRAPH	WIRING DIAGRAM
P1 (A324)	CONNECTOR	W640	9-20	CPG UTILITY AND SECONDARY LIGHTS
P1 (A325)	CONNECTOR	W119	9-21	PILOT UTILITY AND SECONDARY LIGHTS
P1 (A334)	CONNECTOR	W638	12-1	DASE (BUCS DEACTIVATED)
P1 (A334)	CONNECTOR	W638	12-2	DASE (BUCS ACTIVATED)
P1 (A402)	CONNECTOR	W668	9-1	AC ELECTRICAL POWER GENERATION
P1 (A424)	CONNECTOR	W654	4-1	AREA WEAPON SYSTEM (AWS)
P1 (A425)	CONNECTOR	W653	4-1	AREA WEAPON SYSTEM (AWS)
P1 (A510)	CONNECTOR	W636	4-1	AREA WEAPON SYSTEM (AWS)
P1 (A639)	CONNECTOR	W211	12-4	STABILATOR
P1 (A640)	CONNECTOR	W102	12-4	STABILATOR
P1 (A641)	CONNECTOR	W648	9-19	EDGE LIGHTS
P1 (A641)	CONNECTOR	W648	12-4	STABILATOR
P1 (A76)	CONNECTOR	W605	3-1	AERIAL ROCKET CONTROL SYSTEM (ARCS)
P1 (A76)	CONNECTOR	W605	4-1	AREA WEAPON SYSTEM (AWS)
P1 (A76)	CONNECTOR	W605	5-1	AUXILIARY POWER UNIT (APU)
P1 (A76)	CONNECTOR	W605	9 - 4	BATTERY AND BATTERY CHARGER
P1 (A76)	CONNECTOR	W605	9-5	CIRCUIT PROTECTION (AC ESSENTIAL BUS 1 - PILOT STATION)
P1 (A76)	CONNECTOR	W605	9-7	CIRCUIT PROTECTION (AC ESSENTIAL BUS 2 - PILOT STATION)

WIRING DIAGRAM DIRECTORY (cont)

REFDES	COMPONENT	CABLE	PARAGRAPH	WIRING DIAGRAM
P1 (A76)	CONNECTOR	W605	9-9	CIRCUIT PROTECTION (DC ESSENTIAL BUS 1-PILOT STATION)
P1 (A76)	CONNECTOR	W605	9-11	CIRCUIT PROTECTION (DC ESSENTIAL BUS 1-PILOT STATION)
P1 (A76)	CONNECTOR	W605	9-12	CIRCUIT PROTECTION (DC ESSENTIAL BUS 3-PILOT STATION)
P1 (A76)	CONNECTOR	W605	9-14	CIRCUIT PROTECTION (DC EMERGENCY BUS - PILOT STATION)
P1 (A76)	CONNECTOR	W605	9-16	CIRCUIT PROTECTION (DC GROUND CIRCUIT BREAKERS - PILOT STATION)
P1 (A76)	CONNECTOR	W605	9-18	CAUTION AND WARNING
P1 (A76)	CONNECTOR	W605	9-19	EDGE LIGHTS
P1 (A76)	CONNECTOR	W605	9-22	ANTI-COLLISION LIGHTS
P1 (A76)	CONNECTOR	W605	9-23	FORMATION LIGHTS
P1 (A76)	CONNECTOR	W605	9-25	NAVIGATION LIGHTS
P1 (A76)	CONNECTOR	W605	9-28	SQUAT SWITCH
P1 (A76)	CONNECTOR	W605	10-1	ENVIRONMENTAL CONTROL SYSTEM (ECS)
P1 (A76)	CONNECTOR	W605	11-1	EXTERNAL STORES CONTROL
P1 (A76)	CONNECTOR	W605	11-2	EXTERNAL STORES JETTISON
P1 (A76)	CONNECTOR	W605	12-1	DASE (BUCS DEACTIVATED)
P1 (A76)	CONNECTOR	W605	12-2	DASE (BUCS ACTIVATED)
P1 (A76)	CONNECTOR	W605	12-4	STABILATOR
P1 (A76)	CONNECTOR	W605	13-2	FUEL CROSSFEED/BOOST

WIRING DIAGRAM DIRECTORY (cont)

REFDES	COMPONENT	CABLE	PARAGRAPH	WIRING DIAGRAM
P1 (A76)	CONNECTOR	W605	14-1	HELLFIRE MISSILE
P1 (A76)	CONNECTOR	W605	15-1	HYDRAULIC
P1 (A76)	CONNECTOR	W605	15-2	PRESSURIZED AIR SYSTEM (PAS)
P1 (A76)	CONNECTOR	W605	17-1	IHADSS
P1 (A76)	CONNECTOR	W605	18-2	NAVIGATION INSTRUMENTS
P1 (A76)	CONNECTOR	W605	19-1	MULTIPLEX
P1 (A76)	CONNECTOR	W605	20-2	DOPPLER NAVIGATION AN/ASN-120
P1 (A76)	CONNECTOR	W605	20-3	DOPPLER NAVIGATION AN/ASN-137 (ADC)
P1 (A76)	CONNECTOR	W605	20-3A	DOPPLER NAVIGATION AN/ASN-137 (ADD)
P1 (A76)	CONNECTOR	W605	20-4	HARS
P1 (A76)	CONNECTOR	W605	20-6	AUTOMATIC DIRECTION FINDER (ADF) AN/ARN-149
P1 (A76)	CONNECTOR	W605	21-1	IR JAMMER AN/ALQ-144
P1 (A76)	CONNECTOR	W605	21-2	RADAR JAMMER AN/ALQ-136
P1 (A76)	CONNECTOR	W605	23-1	POWER PLANTS
P1 (A76)	CONNECTOR	W605	25-2	ENGINE ANTI-ICE
P1 (A76)	CONNECTOR	W605	25-3	ROTOR BLADES DE-ICE
P1 (A76)	CONNECTOR	W605	25-4	PITOT ANTI-ICE
P1 (A76)	CONNECTOR	W605	25-7	TADS/PNVS ANTI-ICE CONTROLS
P1 (A76)	CONNECTOR	W605	26-1	SYMBOL GENERATOR
P1 (A76)	CONNECTOR	W605	26-2	VIDEO DISPLAY UNIT (VDU) AND VIDEO RECORDER
P1 (A97)	CONNECTOR	W615	9-6	CIRCUIT PROTECTION (AC ESSENTIAL BUS 1-CPG STATION)

WIRING DIAGRAM DIRECTORY (cont)

REFDES	COMPONENT	CABLE	PARAGRAPH	WIRING DIAGRAM
P1 (A97)	CONNECTOR	W615	9-10	CIRCUIT PROTECTION (DC ESSENTIAL BUS 1 - CPG STATION)
P1 (A97)	CONNECTOR	W615	9-13	CIRCUIT PROTECTION (DC ESSENTIAL BUS 3 - CPG STATION)
P1 (A97)	CONNECTOR	W615	9-19	EDGE LIGHTS
P1 (A97)	CONNECTOR	W615	10-1	ENVIRONMENTAL CONTROL SYSTEM (ECS)
P1 (A97)	CONNECTOR	W615	17-1	IHADSS
P1 (A97)	CONNECTOR	W615	20-3	DOPPLER NAVIGATION AN/ASN-137 (ADC)
P1 (A97)	CONNECTOR	W615	20-3A	DOPPLER NAVIGATION AN/ASN-137 (ADD)
P1 (A97)	CONNECTOR	W615	20-7	DATA TRANSFER UNIT (ADD)
P1 (A97)	CONNECTOR	W615	20-8	EGI (ADD)
P1 (A98)	CONNECTOR	W211	7-1	CHAFF DISPENSER
P1 (DS28)	CONNECTOR	W118	9-18	CAUTION AND WARNING
P1 (DS31)	CONNECTOR	W118	9-18	CAUTION AND WARNING
P1 (E100)	CONNECTOR	W221	25-6	FIRE DETECTION AND EXTINGUISHING
P1 (HDU)	CONNECTOR		17-1	IHADSS
P1 (HR7)	CONNECTOR	W119	25-1	CANOPY DEFOG AND ANTI-ICE
P1 (LT WG HEADSET)	CONNECTOR	EXT	6-1	INTERCOMMUNICATION
P1 (RT WG HEADSET)	CONNECTOR	EXT	6-1	INTERCOMMUNICATION
P1 (SR1)	CONNECTOR	W118	25-3	ROTOR BLADES DE-ICE
P1 SP1	SPLICE	W118	9-18	CAUTION AND WARNING
P10	CONNECTOR	APU	5-1	AUXILIARYPOWERUNIT (APU)
P100	CONNECTOR	W119	9-19	EDGE LIGHTS
P100	CONNECTOR	W119	9-21	PILOT UTILITY AND SECONDARY LIGHTS

WIRING DIAGRAM DIRECTORY (cont)

REFDES	COMPONENT	CABLE	PARAGRAPH	WIRING DIAGRAM
P100	CONNECTOR	W119	9-22	ANTI-COLLISION LIGHTS
P100	CONNECTOR	W119	9-23	FORMATION LIGHTS
P100	CONNECTOR	W119	9-26	NAVIGATION LIGHTS
P100	CONNECTOR	W119	20-5	RADAR ALTIMETER (RADALT) SET
P100	CONNECTOR	W119	21-2	RADARJAMMER AN/ALQ-136
P100 SP1	SPLICE	W119	9-23	FORMATION LIGHTS
P100 SP2	SPLICE	W119	9-22	ANTI-COLLISION LIGHTS
P101	CONNECTOR	W119	9-19	EDGE LIGHTS
P101	CONNECTOR	W119	9-20	CPG UTILITY AND SECONDARY LIGHTS
P1010	CONNECTOR	W156	25-4	PITOT ANTI-ICE
P1011	CONNECTOR	W102	15-1	HYDRAULIC
P1012	CONNECTOR	W154	9-23	FORMATION LIGHTS
P1012	CONNECTOR	W154	9-25	NAVIGATION LIGHTS
P1012	CONNECTOR	W154	21-3	RADAR WARNING SET AN/APR-39(V)1
P1019	CONNECTOR	W266	6-2	TSEC/KY-58 COMMUNICATIONS SECURITY EQUIPMENT
P1019	CONNECTOR	W266	6-4	VHF AM-FM RADIO SET AN/ARC-186 (ADH)
P1019	CONNECTOR	W266	6-5	VHF AM-FM RADIO SET AN/ARC-186 AND AN/ARC-201A (ADI)
P1019	CONNECTOR	W266	9-19	EDGE LIGHTS
P1019 SP1	SPLICE	W266	6-2	TSEC/KY-58 COMMUNICATIONS SECURITY EQUIPMENT
P1019 SP1	SPLICE	W266	6-4	VHF AM-FM RADIO SET AN/ARC-186 (ADH)
P1019 SP1	SPLICE	W266	6-4	VHF AM-FM RADIO SET AN/ARC-186 AND AN/ARC-201A (ADI)
P102	CONNECTOR	W119	9-22	ANTI-COLLISION LIGHTS
P103	CONNECTOR	W119	9-22	ANTI-COLLISION LIGHTS

WIRING DIAGRAM DIRECTORY (cont)

REFDES	COMPONENT	CABLE	PARAGRAPH	WIRING DIAGRAM
P1034	CONNECTOR		25-3	ROTOR BLADES DE-ICE
P1035	CONNECTOR		25-3	ROTOR BLADES DE-ICE
P1036	CONNECTOR		25-3	ROTOR BLADES DE-ICE
P1038	CONNECTOR	W266	6-2	TSEC/KY-58 COMMUNICATIONS SECURITY EQUIPMENT
P1038	CONNECTOR	W266	6-4	VHF AM-FM RADIO SET AN/ARC-186 (ADH)
P1038	CONNECTOR	W266	6-5	VHF AM-FM RADIO SET AN/ARC-186 AND AN/ARC-201A (ADD)
P104	CONNECTOR	W119	9-22	ANTI-COLLISION LIGHTS
P1041	CONNECTOR	W117	4-1	AREA WEAPON SYSTEM (AWS)
P1042	CONNECTOR	W118	25-3	ROTOR BLADES DE-ICE
P1042 SP1	SPLICE	W118	25-3	ROTOR BLADES DE-ICE
P1042 SP2	SPLICE	W118	25-3	ROTOR BLADES DE-ICE
P1046	CONNECTOR	W266	6-4	VHF AM-FM RADIO SET AN/ARC-186 (ADH)
P1046	CONNECTOR	W266	6-5	VHF AM-FM RADIO SET AN/ARC-186 AND AN/ARC-201A (ADI)
P105	CONNECTOR	W155	9-22	ANTI-COLLISION LIGHTS
P1059	CONNECTOR	W117	4-1	AREA WEAPON SYSTEM (AWS)
P106	CONNECTOR	W156	9-22	ANTI-COLLISION LIGHTS
P1060	CONNECTOR	W116	4-1	AREA WEAPON SYSTEM (AWS)
P1060 SP1	SPLICE	W116	4-1	AREA WEAPON SYSTEM (AWS)
P1060 SP2	SPLICE	W116	4-1	AREA WEAPON SYSTEM (AWS)

WIRING DIAGRAM DIRECTORY (cont)

REFDES	COMPONENT	CABLE	PARAGRAPH	WIRING DIAGRAM
P1066	CONNECTOR	W118	13-4	PRESSURE REFUELING/DEFUELING
P1067	CONNECTOR	W268	13-4	PRESSURE REFUELING/DEFUELING
P1067 SP1	SPLICE	W268	13-4	PRESSURE REFUELING/DEFUELING
P107 (A81)	CONNECTOR	W119	9-19	EDGE LIGHTS
P107 (A81)	CONNECTOR	W119	9-24	LANDING/SEARCH LIGHT
P107 (A81)	CONNECTOR	W119	11-2	EXTERNAL STORES JETTISON
P107 (A81)	CONNECTOR	W119	17-1	IHADSS
P107 (A81)	CONNECTOR	W119	19-1	MULTIPLEX
P107 (A81)	CONNECTOR	W119	23-1	POWER PLANTS
P1072	CONNECTOR	W102	15-1	HYDRAULIC
P1074	CONNECTOR	W158	14-1	HELLFIRE MISSILE
P1075	CONNECTOR	W157	14-1	HELLFIRE MISSILE
P1076 (MT19)	CONNECTOR	W170	12-4	STABILATOR
P1077	CONNECTOR	W211	9-18	CAUTION AND WARNING
P1077	CONNECTOR	W211	12-4	STABILATOR
P1078	CONNECTOR	W255	26-1	SYMBOL GENERATOR
P1078	CONNECTOR	W255	26-2	VIDEO DISPLAY UNIT (VDU) AND VIDEO RECORDER
P1079	CONNECTOR	W255	26-1	SYMBOL GENERATOR
P1079	CONNECTOR	W255	26-2	VIDEO DISPLAY UNIT (VDU) AND VIDEO RECORDER
P108 (A80)	CONNECTOR	W119	9-19	EDGE LIGHTS
P108 (A80)	CONNECTOR	W119	9-24	LANDING/SEARCH LIGHTS

WIRING DIAGRAM DIRECTORY (cont)

REFDES	COMPONENT	CABLE	PARAGRAPH	WIRING DIAGRAM
P108 (A80)	CONNECTOR	W119	11-2	EXTERNAL STORES JETTISON
P108 (A80)	CONNECTOR	W119	12-1	DASE (BUCS DEACTIVATED)
P108 (A80)	CONNECTOR	W119	12-2	DASE (BUCS ACTIVATED)
P108 (A80)	CONNECTOR	W119	17-1	IHADSS
P108 (A80)	CONNECTOR	W119	19-1	MULTIPLEX
P108 (A80)	CONNECTOR	W119	23-1	POWER PLANTS
P1080	CONNECTOR	W116	4-1	AREA WEAPON SYSTEM (AWS)
P1085	CONNECTOR	W118	13-5	NITROGEN INERTING
P1086	CONNECTOR	W268	13-4	PRESSURE REFUELING/DEFUELING
P1087	CONNECTOR	W211	25-2	ENGINE ANTI-ICE
P109	CONNECTOR	W119	9-19	EDGE LIGHTS
P109 SP1	SPLICE	W119	9-19	EDGE LIGHTS
P109 SP2	SPLICE	W119	9-19	EDGE LIGHTS
P109 SP3	SPLICE	W119	9-19	EDGE LIGHTS
P109 SP4	SPLICE	W119	9-19	EDGE LIGHTS
P1092	CONNECTOR	W261	9-19	EDGE LIGHTS
P1092	CONNECTOR	W261	18-1	ENGINE INSTRUMENTS
P1093	CONNECTOR	W261	18-1	ENGINE INSTRUMENTS
P1094	CONNECTOR	W119	21-2	RADAR JAMMER AN/ALQ-136
P1095	CONNECTOR		21-4	LASER DETECTING SET AN/AVR-2A(V)1 (ADP)
P1096	CONNECTOR	W670	21-4	LASER DETECTING SET AN/AVR-2A(V)1 (ADP)
P1097	CONNECTOR	W670	21-4	LASER DETECTING SET AN/AVR-2A(V)1 (ADP)
P1098	CONNECTOR	W672	21-4	LASER DETECTING SET AN/AVR-2A(V)1 (ADP)
P1099	CONNECTOR	W671	21-4	LASER DETECTING SET AN/AVR-2A(V)1 (ADP)
P11 (A402)	CONNECTOR	W668	9-1	AC ELECTRICAL POWER GENERATION
P11 (A402)	CONNECTOR	W668	9-3	EXTERNAL POWER AND GROUND SERVICE UTILITY CONNECTOR
P110	CONNECTOR	W119	9-19	EDGE LIGHTS
P1100	CONNECTOR	W673	21-4	LASER DETECTING SET AN/AVR-2A(V)1 (ADP)

WIRING DIAGRAM DIRECTORY (cont)

REFDES	COMPONENT	CABLE	PARAGRAPH	WIRING DIAGRAM
P1101	CONNECTOR	W672	21-4	LASER DETECTING SET AN/AVR-2A(V)1 (ADP)
P1102	CONNECTOR	W672	21-4	LASER DETECTING SET AN/AVR-2A(V)1 (ADP)
P1103	CONNECTOR	W671	21-4	LASER DETECTING SET AN/AVR-2A(V)1 (ADP)
P1104	CONNECTOR	W671	21-4	LASER DETECTING SET AN/AVR-2A(V)1 (ADP)
P1105	CONNECTOR	W674	21-4	LASER DETECTING SET AN/AVR-2A(V)1 (ADP)
P110 SP1	SPLICE	W119	9-19	EDGE LIGHTS
P110 SP2	SPLICE	W119	9-19	EDGE LIGHTS
P110 SP3	SPLICE	W119	9-19	EDGE LIGHTS
P110 SP4	SPLICE	W119	9-19	EDGE LIGHTS
P110 SP5	SPLICE	W119	9-19	EDGE LIGHTS
P110 SP6	SPLICE	W119	9-19	EDGE LIGHTS
P110 SP7	SPLICE	W119	9-19	EDGE LIGHTS
P111 (DS12 AFT)	CONNECTOR	W108	9-26	MAINTENANCE LIGHTS
P111 (DS12 FWD)	CONNECTOR	W118	9-26	MAINTENANCE LIGHTS
P1121	CONNECTOR	W119	23-1	POWER PLANTS
P113 (A401)	CONNECTOR	W117	3-1	AERIAL ROCKET CONTROL SYSTEM (ARCS)
P113 (A401)	CONNECTOR	W117	4-1	AREA WEAPON SYSTEM (AWS)
P113 (A401)	CONNECTOR	W117	6-1	INTERCOMMUNICATION
P113 (A401)	CONNECTOR	W117	6-3	UHF-FM RADIO SET
P113 (A401)	CONNECTOR	W117	6-4	VHF AM-FM RADIO SET AN/ARC-186 (ADH)
P113 (A401)	CONNECTOR	W117	6-5	VHF AM-FM RADIO SET AN/ARC-186 AND AN/ARC-201A (ADI)
P113 (A401)	CONNECTOR	W117	7-1	CHAFF DISPENSER
P113 (A401)	CONNECTOR	W117	11-1	EXTERNAL STORES CONTROL
P113 (A401)	CONNECTOR	W117	12-1	DASE (BUCS DEACTIVATED)
P113 (A401)	CONNECTOR	W117	12-2	DASE (BUCS ACTIVATED)
P113 (A401)	CONNECTOR	W117	12-3	FORCE TRIM
P113 (A401)	CONNECTOR	W117	14-1	HELLFIRE MISSILE
P113 (A401)	CONNECTOR	W117	19-1	MULTIPLEX

WIRING DIAGRAM DIRECTORY (cont)

REFDES	COMPONENT	CABLE	PARAGRAPH	WIRING DIAGRAM
P1142	CONNECTOR	W266	9-19	EDGE LIGHTS
P1142	CONNECTOR	W266	20-3	DOPPLER NAVIGATION AN/ASN-137
P1142 SP1	SPLICE	W266	20-3	DOPPLER NAVIGATION AN/ASN-137
P1142	CONNECTOR	W266	20-3A	DOPPLER NAVIGATION AN/ASN-137 (ADD)
P1142	CONNECTOR	W266	20-7	DATA TRANSFER UNIT (ADD)
P1142	CONNECTOR	W266	20-8	EGI (ADD)
P1142 SP1	SPLICE	W266	20-3A	DOPPLER NAVIGATION AN/ASN-137 (ADD)
P1142 SP2	SPLICE	W266	20-3A	DOPPLER NAVIGATION AN/ASN-137 (ADD)
P115	CONNECTOR	W155	9-22	ANTI-COLLISION LIGHTS
P115	CONNECTOR	W155	9-23	FORMATION LIGHTS
P115	CONNECTOR	W155	9-25	NAVIGATION LIGHTS
P115	CONNECTOR	W155	25-4	PITOT ANTI-ICE
P116	CONNECTOR	W156	9-22	ANTI-COLLISION LIGHTS
P116	CONNECTOR	W156	9-23	FORMATION LIGHTS
P116	CONNECTOR	W156	9-25	NAVIGATION LIGHTS
P116	CONNECTOR	W156	25-4	PITOT ANTI-ICE
P118 (A400)	CONNECTOR	W255	3-1	AERIAL ROCKET CONTROL SYSTEM (ARCS)
P118 (A400)	CONNECTOR		4-1	AREA WEAPON SYSTEM (AWS)
P118 (A400)	CONNECTOR	W255	6-1	INTERCOMMUNICATION
P118 (A400)	CONNECTOR	W255	7-1	DISPENSER
P118 (A400)	CONNECTOR	W255	11-1	EXTERNAL STORES CONTROL
P118 (A400)	CONNECTOR	W255	12-1	DASE (BUCS DEACTIVATED)
P118 (A400)	CONNECTOR	W255	12-2	DASE (BUCS ACTIVATED)

WIRING DIAGRAM DIRECTORY (cont)

REFDES	COMPONENT	CABLE	PARAGRAPH	WIRING DIAGRAM
P118 (A400)	CONNECTOR	W255	12-3	FORCE TRIM
P118 (A400)	CONNECTOR	W255	14-1	HELLFIRE MISSILE
P119	CONNECTOR	W119	9-19	EDGE LIGHTS
P12 (A402)	CONNECTOR	W668	9-2	DC ELECTRICAL POWER GENERATION
P12 (A402)	CONNECTOR	W668	9-7	CIRCUIT PROTECTION (AC ESSENTIAL BUS 2-PILOT STATION)
P120	CONNECTOR	W118	9-19	EDGE LIGHTS
P121	CONNECTOR	W119	9-19	EDGE LIGHTS
P122	CONNECTOR	W119	9-19	EDGE LIGHTS
P1225	CONNECTOR	W266	20-3	DOPPLER NAVIGATION AN/ASN-137 (ADC)
P1225	CONNECTOR	W266	20-3A	DOPPLER NAVIGATION AN/ASN-137 (ADD)
P1225 SP1	SPLICE	W266	20-3	DOPPLER NAVIGATION AN/ASN-137 (ADC)
P1225 SP1	SPLICE	W266	20-3A	DOPPLER NAVIGATION AN/ASN-137 (ADD)
P1225 SP2	SPLICE	W266	20-3	DOPPLER NAVIGATION AN/ASN-137 (ADC)
P1225 SP2	SPLICE	W266	20-3A	DOPPLER NAVIGATION AN/ASN-137 (ADD)
P1226	CONNECTOR	W213	20-3	DOPPLER NAVIGATION AN/ASN-137 (ADC)
P1226	CONNECTOR	W213	20-3A	DOPPLER NAVIGATION AN/ASN-137 (ADD)
P1226-SP1	CONNECTOR	W213	20-3A	DOPPLER NAVIGATION AN/ASN-137 (ADD)
P1226-SP2	CONNECTOR	W213	20-3A	DOPPLER NAVIGATION AN/ASN-137 (ADD)

WIRING DIAGRAM DIRECTORY (cont)

<u>REFDES</u>	<u>COMPONENT</u>	<u>CABLE</u>	<u>PARAGRAPH</u>	<u>WIRING DIAGRAM</u>
P1227	CONNECTOR	W266	18-2	NAVIGATION INSTRUMENTS
P1227	CONNECTOR	W266	20-3	DOPPLER NAVIGATION AN/ASN-137 (ADC)
P1227	CONNECTOR	W266	20-3A	DOPPLER NAVIGATION AN/ASN-137 (ADD)
P1228	CONNECTOR	W266	20-3	DOPPLER NAVIGATION AN/ASN-137 (ADC)
P1228	CONNECTOR	W266	20-3A	DOPPLER NAVIGATION AN/ASN-137 (ADD)
P1228 SP1	SPLICE	W266	20-3	DOPPLER NAVIGATION AN/ASN-137 (ADD)
P1228 SP1	SPLICE	W266	20-3A	DOPPLER NAVIGATION AN/ASN-137 (ADD)
P123	CONNECTOR	W119	9-19	EDGE LIGHTS
P124	CONNECTOR	W171	8-1	DRIVE SYSTEM
P124	CONNECTOR	W171	9-18	CAUTION AND WARNING
P124	CONNECTOR	W171	9-23	FORMATION LIGHTS
P124	CONNECTOR	W171	9-25	NAVIGATION LIGHTS
P124	CONNECTOR	W171	25-3	ROTOR BLADES DE-ICE
P124	CONNECTOR	W171	21-3	RADAR WARNING SET AN/APR-39(V) 1
P125	CONNECTOR	W118	9-19	EDGE LIGHTS
P1257	CONNECTOR	W266	20-3	DOPPLER NAVIGATION AN/ASN-137 (ADC)
P1257	CONNECTOR	W266	20-3A	DOPPLER NAVIGATION AN/ASN-137 (ADD)
P1258	CONNECTOR	W266	20-3	DOPPLER NAVIGATION AN/ASN-137 (ADC)
P1258	CONNECTOR	W266	20-3A	DOPPLER NAVIGATION AN/ASN-137 (ADD)
P1259	CONNECTOR	W266	20-3	DOPPLER NAVIGATION AN/ASN-137 (ADC)

WIRING DIAGRAM DIRECTORY (cont)

<u>REFDES</u>	<u>COMPONENT</u>	<u>CABLE</u>	<u>PARAGRAPH</u>	<u>WIRING DIAGRAM</u>
P1259	CONNECTOR AN/ASN-137 (ADD)	W266	20-3A	DOPPLER NAVIGATION
P126	CONNECTOR	W118	9-19	EDGE LIGHTS
P1260	CONNECTOR	W266	20-3	DOPPLER NAVIGATION AN/ASN-137 (ADC)
P1260	CONNECTOR	W266	20-3A	DOPPLER NAVIGATION AN/ASN-137 (ADD)
P127	CONNECTOR	W118	9-19	EDGE LIGHTS
P128	CONNECTOR	W118	9-18	CAUTION AND WARNING
P128 SP1	SPLICE	W118	9-18	CAUTION AND WARNING
P128 SP2	SPLICE	W118	9-18	CAUTION AND WARNING
P128 SP3	SPLICE	W118	9-18	CAUTION AND WARNING
P128 SP4	SPLICE	W118	9-18	CAUTION AND WARNING
P129	CONNECTOR	W118	9-18	CAUTION AND WARNING
P129 SP1	SPLICE	W118	9-18	CAUTION AND WARNING
P13	CONNECTOR	W108	9-3	EXTERNAL POWER AND GROUND SERVICE UTILITY CONNECTOR
P1301	CONNECTOR	W213	20-3	DOPPLER NAVIGATION AN/ASN-137 (ADC)
P1301	CONNECTOR	W213	20-3A	DOPPLER NAVIGATION AN/ASN-137 (ADD)
P1304	CONNECTOR	W480	20-8	EGI (ADD)
P131	CONNECTOR	W109	2-1	AIR DATA SYSTEM (ADS)
P1320	CONNECTOR	W118	25-6	FIRE DETECTION AND EXTINGUISHING
P1321	CONNECTOR	W119	25-6	FIRE DETECTION AND EXTINGUISHING
P1322	CONNECTOR	W118	25-6	FIRE DETECTION AND EXTINGUISHING
P1323	CONNECTOR	W102	5-1	AUXILIARY POWER UNIT (APU)

WIRING DIAGRAM DIRECTORY (cont)

REFDES	COMPONENT	CABLE	PARAGRAPH	WIRING DIAGRAM
P1323	CONNECTOR	W102	15-2	PRESSURIZED AIR SYSTEM (PAS)
P1350	CONNECTOR	W480	20-8	EGI (ADD)
P1370	CONNECTOR	W119	23-1	POWER PLANTS
P1371	CONNECTOR	W266	20-6	AUTOMATIC DIRECTION FINDER (ADF) AN/ARN-149
P1371 SP1	SPLICE	W266	20-6	AUTOMATIC DIRECTION FINDER (ADF) AN/ARN-149
P1371 SP2	SPLICE	W266	20-6	AUTOMATIC DIRECTION FINDER (ADF) AN/ARN-149
P1371 SP4	SPLICE	W266	20-6	AUTOMATIC DIRECTION FINDER (ADF) AN/ARN-149
P1371 SP5	SPLICE	W266	20-6	AUTOMATIC DIRECTION FINDER (ADF) AN/ARN-149
P1371 SP6	SPLICE	W266	20-6	AUTOMATIC DIRECTION FINDER (ADF) AN/ARN-149
P1371 SP7	SPLICE	W266	20-6	AUTOMATIC DIRECTION FINDER (ADF) AN/ARN-149
P1371 SP8	SPLICE	W266	20-6	AUTOMATIC DIRECTION FINDER (ADF) AN/ARN-149
P1371 SP9	SPLICE	W266	20-6	AUTOMATIC DIRECTION FINDER (ADF) AN/ARN-149
P1371 SP10	SPLICE	W266	20-6	AUTOMATIC DIRECTION FINDER (ADF) AN/ARN-149
P1371 SP11	SPLICE	W266	20-6	AUTOMATIC DIRECTION FINDER (ADF) AN/ARN-149
P1371 SP12	SPLICE	W266	20-6	AUTOMATIC DIRECTION FINDER (ADF) AN/ARN-149
P1371 SP13	SPLICE	W266	20-6	AUTOMATIC DIRECTION FINDER (ADF) AN/ARN-149
P1371 SP14	SPLICE	W266	20-6	AUTOMATIC DIRECTION FINDER (ADF) AN/ARN-149
P1372	CONNECTOR	W266	20-6	AUTOMATIC DIRECTION FINDER (ADF) AN/ARN-149

WIRING DIAGRAM DIRECTORY (cont)

REFDES	COMPONENT	CABLE	PARAGRAPH	WIRING DIAGRAM
P1373 SP1	SPLICE		20-6	AUTOMATIC DIRECTION FINDER (ADF) AN/ARN-149
P1374	CONNECTOR		20-6	AUTOMATIC DIRECTION FINDER (ADF) AN/ARN-149
P1375	CONNECTOR	W266	20-6	AUTOMATIC DIRECTION FINDER (ADF) AN/ARN-149
P14 (A402)	CONNECTOR	W668	9-2	DC ELECTRICAL POWER GENERATION
P141	CONNECTOR	W157	13-1	AUXILIARY FUEL
P142	CONNECTOR	W158	13-1	AUXILIARY FUEL
P143	CONNECTOR	W266	26-1	SYMBOL GENERATOR
P143	CONNECTOR	W266	26-2	VIDEO DISPLAY UNIT (VDU) AND VIDEO RECORDER
P1439 (ACR)	CONNECTOR	W216	16-1	IFF
P1440 (ACR)	CONNECTOR	W216	16-1	IFF
P1441 (ACR)	CONNECTOR	W218	16-1	IFF
P1442 (ACR)	CONNECTOR	W232	16-1	IFF
P1443 (ACR)	CONNECTOR	W232	16-1	IFF
P170	CONNECTOR	W119	9-19	EDGE LIGHTS
P170	CONNECTOR	W119	12-1	DASE (BUCS DEACTIVATED)
P170	CONNECTOR	W119	12-2	DASE (BUCS ACTIVATED)
P170	CONNECTOR	W119	12-4	STABILATOR
P172	CONNECTOR	W119	9-1	AC ELECTRICAL POWER GENERATION
P172	CONNECTOR	W119	9-3	EXTERNAL POWER AND GROUND SERVICE UTILITY CONNECTOR
P172	CONNECTOR	W119	9-4	BATTERY AND BATTERY CHARGER

WIRING DIAGRAM DIRECTORY (cont)

REFDES	COMPONENT	CABLE	PARAGRAPH	WIRING DIAGRAM
P172	CONNECTOR	W119	9-19	EDGE LIGHTS
P173	CONNECTOR	W117	9-19	EDGE LIGHTS
P173	CONNECTOR	W119	15-1	HYDRAULIC
P173	CONNECTOR	W119	23-1	POWER PLANTS
P173 SP1	SPLICE	W119	12-1	DASE (BUCS DEACTIVATED)
P173 SP1	SPLICE	W119	12-2	DASE (BUCS ACTIVATED)
P173 SP1	SPLICE	W119	12-4	STABILATOR
P173 SP1	SPLICE	W119	15-1	HYDRAULIC
P174	CONNECTOR	W119	9-18	CAUTION AND WARNING
P174	CONNECTOR	W119	9-19	EDGE LIGHTS
P174	CONNECTOR	W119	13-1	AUXILIARY FUEL
P174	CONNECTOR	W119	13-2	FUEL CROSSFEED/BOOST
P174	CONNECTOR	W119	13-3	FUEL QUANTITY INDICATION/TRANSFER
P174	CONNECTOR	W119	25-6	FIRE DETECTION AND EXTINGUISHING
P175	CONNECTOR	W119	9-19	EDGE LIGHTS
P175	CONNECTOR	W119	23-1	POWER PLANTS
P176	CONNECTOR	W118	5-1	AUXILIARY POWER UNIT (APU)
P176	CONNECTOR	W118	9-18	CAUTION AND WARNING
P176	CONNECTOR	W118	9-19	EDGE LIGHTS
P176	CONNECTOR	W118	25-6	FIRE DETECTION AND EXTINGUISHING
P176 SP1	SPLICE	W118	5 - 1	AUXILIARY POWER UNIT (APU)
P176 SP1	SPLICE	W118	9-3	EXTERNAL POWER AND GROUND SERVICE UTILITY CONNECTOR
P178	CONNECTOR	W119	9-10	EDGE LIGHTS

WIRING DIAGRAM DIRECTORY (cont)

REFDES	COMPONENT	CABLE	PARAGRAPH	WIRING DIAGRAM
P178	CONNECTOR	W119	25-1	CANOPY DEFOG AND ANTI-ICE
P178	CONNECTOR	W119	25-2	ENGINE ANTI-ICE
P178	CONNECTOR	W119	25-3	ROTOR BLADES DE-ICE
P178	CONNECTOR	W119	25-4	PITOT ANTI-ICE
P178	CONNECTOR	W119	25-5	WINDSHIELD WIPERS
P178	CONNECTOR	W119	25-7	TADS/PNVS ANTI-ICE CONTROLS
P178 SP1	SPLICE	W119	25-3	ROTOR BLADES DE-ICE
P179	CONNECTOR	W119	9-18	CAUTION AND WARNING
P179	CONNECTOR	W119	9-19	EDGE LIGHTS
P179	CONNECTOR	W119	13-2	FUEL CROSSFEED/BOOST
P179	CONNECTOR	W119	13-3	FUEL QUANTITY INDICATION/TRANSFER
P179	CONNECTOR	W119	13-4	PRESSURE REFUELING/DEFUELING
P18	CONNECTOR	W118	9-18	CAUTION AND WARNING
P18 SP1	SPLICE	W118	10 - 1	ENVIRONMENTAL CONTROL SYSTEM (ECS)
P19	CONNECTOR	W118	9-18	CAUTION AND WARNING
P190	CONNECTOR	W119	9 - 4	BATTERY AND BATTERY CHARGER
P190	CONNECTOR	W119	9-19	EDGE LIGHTS
P190	CONNECTOR	W119	15-1	HYDRAULIC
P190	CONNECTOR	W119	23-1	POWER PLANTS
P191	CONNECTOR	W119	9-19	EDGE LIGHTS
P191	CONNECTOR	W119	13-2	FUEL CROSSFEED/BOOST
P191	CONNECTOR	W119	13-3	FUEL QUANTITY INDICATION/TRANSFER
P2	CONNECTOR	APU	5-1	AUXILIARY POWER UNIT (APU)

WIRING DIAGRAM DIRECTORY (cont)

<u>REFDES</u>	<u>COMPONENT</u>	<u>CABLE</u>	<u>PARAGRAPH</u>	<u>WIRING DIAGRAM</u>
P2	CONNECTOR	W266	6-1	INTERCOMMUNICATION
P2	CONNECTOR	W266	6-3	UHF-A-M RADIO SET
P2	CONNECTOR	W266	6-1	VHF AM-FM RADIO SET AN/ARC-186 (ADH)
P2	CONNECTOR	W266	6-5	VHF AM-FM RADIO SET AN/ARC-186 AND AN/ARC-201A (ADI)

WIRING DIAGRAM DIRECTORY (cont)

<u>REFDES</u>	<u>COMPONENT</u>	<u>CABLE</u>	<u>PARAGRAPH</u>	<u>WIRING DIAGRAM</u>
---------------	------------------	--------------	------------------	-----------------------

WIRING DIAGRAM DIRECTORY (cont)

WIRING DIAGRAM DIRECTORY (cont)

REFDES	COMPONENT	CABLE	PARAGRAPH	WIRING DIAGRAM
P2	CONNECTOR	W119	9-1	AC ELECTRICAL POWER GENERATION
P2 (A510)	CONNECTOR	W636	4-1	AREA WEAPON SYSTEM (AWS)
P2 (A76)	CONNECTOR	W605	2-1	AIR DATA SYSTEM (ADS)
P2 (A76)	CONNECTOR	W605	4-1	AREA WEAPON SYSTEM (AWS)
P2 (A76)	CONNECTOR	W605	9-4	BATTERY AND BATTERY CHARGER
P2 (A76)	CONNECTOR	W605	9-5	CIRCUIT PROTECTION (AC ESSENTIAL BUS 1-PILOT STATION)
P2 (A76)	CONNECTOR	W605	9-7	CIRCUIT PROTECTION (AC ESSENTIAL BUS 2-PILOT STATION)
P2 (A76)	CONNECTOR	W605	9-9	CIRCUIT PROTECTION (DC ESSENTIAL BUS 1-PILOT STATION)
P2 (A76)	CONNECTOR	W605	9-11	CIRCUIT PROTECTION (DC ESSENTIAL BUS 1-PILOT STATION)
P2 (A76)	CONNECTOR	W605	9-12	CIRCUIT PROTECTION (DC ESSENTIAL BUS 3-PILOT STATION)
P2 (A76)	CONNECTOR	W605	10-1	ENVIRONMENTAL CONTROL SYSTEM (ECS)
P2 (A76)	CONNECTOR	W605	11-1	EXTERNAL STORES CONTROL
P2 (A76)	CONNECTOR	W605	12-4	STABILATOR
P2 (A76)	CONNECTOR	W605	13-1	AUXILIARY FUEL
P2 (A76)	CONNECTOR	W605	13-3	FUEL QUANTITY INDICATION/TRANSFER
P2 (A76)	CONNECTOR	W605	21-1	IR JAMMER AN/ALQ-144
P2 (A76)	CONNECTOR	W605	22-1	PNVS

REFDES	COMPONENT	CABLE	PARAGRAPH	WIRING DIAGRAM
P2 (A76)	CONNECTOR	W605	25-2	ENGINE ANTI-ICE
P2 (A76)	CONNECTOR	W605	25-4	PITOT ANTI-ICE
P2 (A76)	CONNECTOR	W605	25-5	WINDSHIELD WIPERS
P2 (HDU)	CONNECTOR		17-1	IHADSS
P2 (HR7)	CONNECTOR	W119	25-1	CANOPY DEFOG AND ANTI-ICE
P2 (SR1)	CONNECTOR	W118	25-3	ROTOR BLADES DE-ICE
P2 SP1	SPLICE	W119	9-1	AC ELECTRICAL POWER GENERATION
P20	CONNECTOR	W118	9-18	CAUTION AND WARNING
P20	CONNECTOR	W118	9-19	EDGE LIGHTS
P20 SP1	SPLICE	W118	9-18	CAUTION AND WARNING
P200	CONNECTOR	W170	8-1	DRIVE SYSTEM
P201	CONNECTOR	W170	8-1	DRIVE SYSTEM
P208	CONNECTOR	W155	25-4	PITOT ANTI-ICE
P21	CONNECTOR	W165	9-18	CAUTION AND WARNING
P21	CONNECTOR	W165	18-1	ENGINE INSTRUMENTS
P21	CONNECTOR	W165	23-1	POWER PLANTS
P21	CONNECTOR	W165	25-2	ENGINE ANTI-ICE
P213	CONNECTOR	W149	25-6	FIRE DETECTION AND EXTINGUISHING
P214	CONNECTOR	W164	25-6	FIRE DETECTION AND EXTINGUISHING
P215 (L36)	CONNECTOR	W115	12-1	DASE (BUCS DEACTIVATED)
P215 (L36)	CONNECTOR	W115	12-2	DASE (BUCS ACTIVATED)
P217	CONNECTOR	W102	5-1	AUXILIARY POWER UNIT (PAS)

WIRING DIAGRAM DIRECTORY (cont)

REFDES	COMPONENT	CABLE	PARAGRAPH	WIRING DIAGRAM
P217	CONNECTOR	W102	15-2	PRESSURIZED AIR SYSTEM (PAS)
P219 (L34)	CONNECTOR	W211	12-1	DASE (BUCS DEACTIVATED)
P219 (L34)	CONNECTOR	W211	12-2	DASE (BUCS ACTIVATED)
P22	CONNECTOR	W166	9-18	CAUTION AND WARNING
P22	CONNECTOR	W166	18-1	ENGINE INSTRUMENTS
P22	CONNECTOR	W166	23-1	POWER PLANTS
P22	CONNECTOR	W166	25-2	ENGINE ANTI-ICE
P220	CONNECTOR	W211	12-1	DASE (BUCS DEACTIVATED)
P220	CONNECTOR	W211	12-2	DASE (BUCS ACTIVATED)
P223 (L36)	CONNECTOR	W115	12-1	DASE (BUCS DEACTIVATED)
P223 (L36)	CONNECTOR	W115	12-2	DASE (BUCS ACTIVATED)
P224	CONNECTOR	W115	12-1	DASE (BUCS DEACTIVATED)
P224	CONNECTOR	W115	12-2	DASE (BUCS ACTIVATED)
P225 (L35)	CONNECTOR	W211	12-1	DASE (BUCS DEACTIVATED)
P225 (L35)	CONNECTOR	W211	12-2	DASE (BUCS ACTIVATED)
P226	CONNECTOR	W211	12-1	DASE (BUCS DEACTIVATED)
P226	CONNECTOR	W211	12-2	DASE (BUCS ACTIVATED)
P227 (L33)	CONNECTOR	W211	12-1	DASE (BUCS DEACTIVATED)
P227 (L33)	CONNECTOR	W211	12-2	DASE (BUCS ACTIVATED)
P228	CONNECTOR	W211	12-1	DASE (BUCS DEACTIVATED)
P228	CONNECTOR	W211	12-2	DASE (BUCS ACTIVATED)

WIRING DIAGRAM DIRECTORY (cont)

REFDES	COMPONENT	CABLE	PARAGRAPH	WIRING DIAGRAM
P23	CONNECTOR	W165	18-1	ENGINE INSTRUMENTS
P230	CONNECTOR	W119	12-1	DASE (BUCS DEACTIVATED)
P231	CONNECTOR	W118	12-1	DASE (BUCS DEACTIVATED)
P230 (MT8)	CONNECTOR	W119	12-2	DASE (BUCS ACTIVATED)
P231 (MT5)	CONNECTOR	W118	12-2	DASE (BUCS ACTIVATED)
P232	CONNECTOR	W118	12-1	DASE (BUCS DEACTIVATED)
P232 (MT7)	CONNECTOR	W118	12-2	DASE (BUCS ACTIVATED)
P233	CONNECTOR	W119	12-1	DASE (BUCS DEACTIVATED)
P233 (MT6)	CONNECTOR	W119	12-2	DASE (BUCS ACTIVATED)
P234	CONNECTOR	W119	12-1	DASE (BUCS DEACTIVATED)
P234 (MT4)	CONNECTOR	W119	12-2	DASE (BUCS ACTIVATED)
P234 SP1	SPLICE	W119	12-1	DASE (BUCS DEACTIVATED)
P235	CONNECTOR	W118	12-1	DASE (BUCS DEACTIVATED)
P235 (MT1)	CONNECTOR	W118	12-2	DASE (BUCS ACTIVATED)
P235 SP1	CONNECTOR	W118	12-1	DASE (BUCS DEACTIVATED)
P236	CONNECTOR	W118	12-1	DASE (BUCS DEACTIVATED)
P236 (MT3)	CONNECTOR	W118	12-2	DASE (BUCS ACTIVATED)
P236 SP1	SPLICE	W118	12-1	DASE (BUCS DEACTIVATED)
P237	CONNECTOR	W119	12-1	DASE (BUCS DEACTIVATED)
P237 (MT2)	CONNECTOR	W119	12-2	DASE (BUCS ACTIVATED)
P237 SP1	SPLICE	W118	12-1	DASE (BUCS DEACTIVATED)

WIRING DIAGRAM DIRECTORY (cont)

REFDES	COMPONENT	CABLE	PARAGRAPH	WIRING DIAGRAM
P238	CONNECTOR	W102	9-18	CAUTION AND WARNING
P238	CONNECTOR	W102	15-1	HYDRAULIC
P238 SP1	SPLICE	W102	9-18	CAUTION AND WARNING
P238 SP1	SPLICE	W102	15-1	HYDRAULIC
P238 SP2	SPLICE	W102	15-1	HYDRAULIC
P239	CONNECTOR	W119	9-18	CAUTION AND WARNING
P239	CONNECTOR	W119	15-1	HYDRAULIC
P239 SP1	SPLICE	W119	9-18	CAUTION AND WARNING
P239 SP1	SPLICE	W119	15-1	HYDRAULIC
P24	CONNECTOR	W166	18-1	ENGINE INSTRUMENTS
P242	CONNECTOR	W102	13-2	FUEL CROSSFEED/BOOST
P243	CONNECTOR	W119	13-1	AUXILIARY FUEL
P251	CONNECTOR	W268	13-4	PRESSURE REFUELING/DEFUELING
P253	CONNECTOR	W261	9-19	EDGE LIGHTS
P253	CONNECTOR	W261	13-3	FUEL QUANTITY INDICATION/TRANSFER
P253	CONNECTOR	W261	18-1	ENGINE INSTRUMENTS
P256	CONNECTOR (EXTERNAL FUEL TANK KIT)		13-1	AUXILIARY FUEL
P260	CONNECTOR	W268	13-4	PRESSURE REFUELING/DEFUELING
P260 SP1	SPLICE	W268	13-4	PRESSURE REFUELING/DEFUELING
P261	CONNECTOR	W119	9-18	CAUTION AND WARNING
P261	CONNECTOR	W119	25-3	ROTOR BLADES DE-ICE
P261 SP1	SPLICE	W119	25-3	ROTOR BLADES DE-ICE
P263	CONNECTOR	W118	13-3	FUEL QUANTITY INDICATION/TRANSFER

WIRING DIAGRAM DIRECTORY (cont)

REFDES	COMPONENT	CABLE	PARAGRAPH	WIRING DIAGRAM
P263	CONNECTOR	W118	13-4	PRESSURE REFUELING/DEFUELING
P264	CONNECTOR	W268	13-3	FUEL QUANTITY INDICATION/TRANSFER
P264	CONNECTOR	W268	13-4	PRESSURE REFUELING/DEFUELING
P265	CONNECTOR	W119	9-19	EDGE LIGHTS
P265	CONNECTOR	W119	15-1	HYDRAULIC
P275	CONNECTOR	W118	9-19	EDGE LIGHTS
P275	CONNECTOR	W118	18-2	NAVIGATION INSTRUMENTS
P275	CONNECTOR	W118	20-4	HARS
P277	CONNECTOR	W117	3-1	AERIAL ROCKET CONTROL SYSTEM (ARCS)
P277	CONNECTOR	W117	4-1	AREA WEAPON SYSTEM (AWS)
P277	CONNECTOR	W117	11-1	EXTERNAL STORES CONTROL
P277	CONNECTOR	W117	14-1	HELLFIRE MISSILE
P277	CONNECTOR	W117	17-1	IHADSS
P277	CONNECTOR	W117	26-1	SYMBOL GENERATOR
P277	CONNECTOR	W117	26-2	VIDEO DISPLAY UNIT (VDU) AND VIDEO RECORDER
P277 SP1	SPLICE	W117	26-2	VIDEO DISPLAY UNIT (VDU) AND VIDEO RECORDER
P277 SP2	SPLICE	W117	11-1	EXTERNAL STORES CONTROL
P277 SP2	SPLICE	W117	14-1	HELLFIRE MISSILE
P277 SP2	SPLICE	W117	19-1	MULTIPLEX

WIRING DIAGRAM DIRECTORY (cont)

REFDES	COMPONENT	CABLE	PARAGRAPH	WIRING DIAGRAM
P277 SP3	SPLICE	W117	3-1	AERIAL ROCKET CONTROL SYSTEM (ARCS)
P277 SP3	SPLICE	W117	4-1	AREA WEAPON SYSTEM (AWS)
P277 SP4	SPLICE	W117	3-1	AERIAL ROCKET CONTROL SYSTEM (ARCS)
P277 SP4	SPLICE	W117	4-1	AREA WEAPON SYSTEM (AWS)
P277 SP5	SPLICE	W117	3-1	AERIAL ROCKET CONTROL SYSTEM (ARCS)
P277 SP5	SPLICE	W117	4-1	AREA WEAPON SYSTEM (AWS)
P277 SP6	SPLICE	W117	26-2	VIDEO DISPLAY UNIT (VDU) AND VIDEO RECORDER
P278	CONNECTOR	W117	3-1	AERIAL ROCKET CONTROL SYSTEM (ARCS)
P278	CONNECTOR	W117	4-1	AREA WEAPON SYSTEM (AWS)
P278	CONNECTOR	W117	9-19	EDGE LIGHTS
P278	CONNECTOR	W117	14-1	HELLFIRE MISSILE
P278	CONNECTOR	W117	19-1	MULTIPLEX
P278	CONNECTOR	W117	22-1	PNVS
P278	CONNECTOR	W117	26-1	SYMBOL GENERATOR
P278 SP1	SPLICE	W117	9-19	EDGE LIGHTS
P278 SP2	SPLICE	W117	9-19	EDGE LIGHTS
P279	CONNECTOR	W117	3-1	AERIAL ROCKET CONTROL SYSTEM (ARCS)
P279	CONNECTOR	W117	4-1	AREA WEAPON SYSTEM (AWS)
P279	CONNECTOR	W117	11-1	EXTERNAL STORES CONTROL

WIRING DIAGRAM DIRECTORY (cont)

REFDES	COMPONENT	CABLE	PARAGRAPH	WIRING DIAGRAM
P279	CONNECTOR	W117	14-1	HELLFIRE MISSILE
P279	CONNECTOR	W117	17-1	IHADSS
P279	CONNECTOR	W117	19-1	MULTIPLEX
P279	CONNECTOR	W117	24-1	TADS
P279	CONNECTOR	W117	26-1	SYMBOL GENERATOR
P280	CONNECTOR	W255	3-1	AERIAL ROCKET CONTROL SYSTEM (ARCS)
P280	CONNECTOR	W255	4-1	AREA WEAPON SYSTEM (AWS)
P280	CONNECTOR	W255	9-19	EDGE LIGHTS
P280	CONNECTOR	W255	11-1	EXTERNAL STORES CONTROL
P280	CONNECTOR	W255	14-1	HELLFIRE MISSILE
P280	CONNECTOR	W255	19-1	MULTIPLEX
P280	CONNECTOR	W255	26-1	SYMBOL GENERATOR
P280	CONNECTOR	W255	26-2	VIDEO DISPLAY UNIT (VDU) AND VIDEO RECORDER
P280 SP1	SPLICE	W255	14-1	HELLFIRE
P280 SP1	SPLICE	W255	19-1	MULTIPLEX
P280 SP2	SPLICE	W255	9-19	EDGE LIGHTS
P280 SP3	SPLICE	W255	9-19	EDGE LIGHTS
P281	CONNECTOR	W117	3-1	AERIAL ROCKET CONTROL SYSTEM (ARCS)
P281	CONNECTOR	W117	4-1	AREA WEAPON SYSTEM (AWS)
P281	CONNECTOR	W117	9-19	EDGE LIGHTS
P281	CONNECTOR	W117	11-1	EXTERNAL STORES CONTROL
P281	CONNECTOR	W117	14-1	HELLFIRE MISSILE

WIRING DIAGRAM DIRECTORY (cont)

WIRING DIAGRAM DIRECTORY (cont)

<u>REFDES</u>	<u>COMPONENT</u>	<u>CABLE</u>	<u>PARAGRAPH</u>	<u>WIRING DIAGRAM</u>
P281	CONNECTOR	W117	17-1	IHADSS
P281	CONNECTOR	W117	19-1	MULTIPLEX
P281	CONNECTOR	W117	24-1	TADS
P281 SP1	SPLICE	W117	3-1	AERIAL ROCKET CONTROL SYSTEM (ARCS)
P281 SP1	SPLICE	W117	4-1	AREA WEAPON SYSTEM (AWS)
P281 SP1	SPLICE	W117	9-19	EDGE LIGHTS
P281 SP2	SPLICE	W117	3-1	AERIAL ROCKET CONTROL SYSTEM (ARCS)
P281 SP2	SPLICE	W117	4-1	AREA WEAPON SYSTEM (AWS)
P281 SP2	SPLICE	W117	9-19	EDGE LIGHTS
P281 SP3	SPLICE	W117	3-1	AERIAL ROCKET CONTROL SYSTEM (ARCS)
P281 SP3	SPLICE	W117	4-1	AREA WEAPON SYSTEM (AWS)
P281 SP3	SPLICE	W117	9-19	EDGE LIGHTS
P283	CONNECTOR	W108	10-1	ENVIRONMENTAL CONTROL SYSTEM (ECS)
P285	CONNECTOR	W119	10-1	ENVIRONMENTAL CONTROL SYSTEM (ECS)
P286	CONNECTOR	W119	10-1	ENVIRONMENTAL CONTROL SYSTEM (ECS)
P287	CONNECTOR	W119	10-1	ENVIRONMENTAL CONTROL
P289	CONNECTOR	W119	25-5	WINDSHIELD WIPERS
P289 SP1	SPLICE	W119	25-5	WINDSHIELD WIPERS
P290	CONNECTOR	W119	25-5	WINDSHIELD WIPERS
P291	CONNECTOR	W119	25-1	CANOPY DEFOG AND ANTI-ICE

<u>REFDES</u>	<u>COMPONENT</u>	<u>CABLE</u>	<u>PARAGRAPH</u>	<u>WIRING DIAGRAM</u>
P291 SP1	SPLICE	W119	25-1	CANOPY DEFOG AND ANTI-ICE
P291 SP2	SPLICE	W119	25-1	CANOPY DEFOG AND ANTI-ICE
P291 SP3	SPLICE	W119	25-1	CANOPY DEFOG AND ANTI-ICE
P291 SP4	SPLICE	W119	25-1	CANOPY DEFOG AND ANTI-ICE
P291 SP5	SPLICE	W119	25-1	CANOPY DEFOG AND ANTI-ICE
P291 SP6	SPLICE	W119	25-1	CANOPY DEFOG AND ANTI-ICE
P291 SP7	SPLICE	W119	25-1	CANOPY DEFOG AND ANTI-ICE
P291 SP8	SPLICE	W119	25-1	CANOPY DEFOG AND ANTI-ICE
P292	CONNECTOR	W119	9-18	CAUTION AND WARNING
P292	CONNECTOR	W119	25-1	CANOPY DEFOG AND ANTI-ICE
P3	CONNECTOR		4-1	AREA WEAPON SYSTEM (AWS)
P3	CONNECTOR	W119	9-1	AC ELECTRICAL POWER GENERATION
P3 (A76)	CONNECTOR	W605	9-2	DC ELECTRICAL POWER GENERATION
P3 (A76)	CONNECTOR	W605	9-5	CIRCUIT PROTECTION (AC ESSENTIAL BUS 1-PILOT STATION)
P3 (A76)	CONNECTOR	W605	9-7	CIRCUIT PROTECTION (AC ESSENTIAL BUS 2-PILOT STATION)
P3 (A98)	CONNECTOR	W102	7-1	CHAFF DISPENSER
P3 (HDU)	CONNECTOR		17-1	IHADSS

WIRING DIAGRAM DIRECTORY (cont)

REFDES	COMPONENT	CABLE	PARAGRAPH	WIRING DIAGRAM
P3 (HR7)	CONNECTOR	W119	25-1	CANOPY DEFOG AND ANTI-ICE
P3 (SR1)	CONNECTOR	W118	25-3	ROTOR BLADES DE-ICE
P300	CONNECTOR	W266	6-1	INTERCOMMUNICATION
P300	CONNECTOR	W266	6-3	UHF-AM RADIO SET
P300	CONNECTOR	W266	6-4	VHF AM-FM RADIO SET AN/ARC-186 (ADH)
P300	CONNECTOR	W266	6-5	VHF AM-FM RADIO SET AN/ARC-186 AND AN/ARC-201A (ADI)
P300	CONNECTOR	W266	9-19	EDGE LIGHTS
P302	CONNECTOR	W266	6-1	INTERCOMMUNICATION
P302	CONNECTOR	W266	6-3	UHF-AM RADIO SET
P302	CONNECTOR	W266	6-4	VHF AM-FM RADIO SET AN/ARC-186 (ADH)
P302	CONNECTOR	W266	6-5	VHF AM-FM RADIO SET AN/ARC-186 AND AN/ARC-201A (ADI)
P302	CONNECTOR	W266	9-27	AUDIO WARNING
P303	CONNECTOR	W266	6-1	INTERCOMMUNICATION
P303	CONNECTOR	W266	6-3	UHF-AM RADIO SET
P303	CONNECTOR	W266	6-4	VHF AM-FM RADIO SET AN/ARC-186 (ADH)
P303	CONNECTOR	W266	6-5	VHF AM-FM RADIO SET AN/ARC-186 AND AN/ARC-201A (ADI)
P304 (H300)	CONNECTOR	W220	6-1	INTERCOMMUNICATION
P304 (H300)	CONNECTOR	W220	17-1	IHADSS
P305 (H301)	CONNECTOR	W219	6-1	INTERCOMMUNICATION
P305 (H301)	CONNECTOR	W219	17-1	IHADSS
P306 (ACP)	CONNECTOR	W230	6-4	VHF AM-FM RADIO SET AN/ARC-186 (ADH)

WIRING DIAGRAM DIRECTORY (cont)

REFDES	COMPONENT	CABLE	PARAGRAPH	WIRING DIAGRAM
P306 (ACP)	CONNECTOR	W230	6-5	VHF AM-FM RADIO SET AN/ARC-186 AND AN/ARC-201A (ADI)
P307 (ACP)	CONNECTOR	W229	6-4	VHF AM-FM RADIO SET AN/ARC-186 (ADH)
P307 (ACP)	CONNECTOR	W229	6-5	VHF AM-FM RADIO SET AN/ARC-186 AND AN/ARC-201A (ADI)
P308 (ACP)	CONNECTOR	W231	6-4	VHF AM-FM RADIO SET AN/ARC-186 (ADH)
P308 (ACP)	CONNECTOR	W231	6-5	VHF AM-FM RADIO SET AN/ARC-186 AND AN/ARC-201A (ADI)
P308 (H302)	CONNECTOR		6-1	INTERCOMMUNICATION
P308 (H303)	CONNECTOR		6-1	INTERCOMMUNICATION
P309 (ACP)	CONNECTOR	W231	6-4	VHF AM-FM RADIO SET AN/ARC-186 (ADH)
P309 (ACP)	CONNECTOR	W231	6-5	VHF AM-FM RADIO SET AN/ARC-186 AND AN/ARC-201A (ADI)
P31	CONNECTOR	W118	9-18	CAUTION AND WARNING
P31	CONNECTOR	W118	9-19	EDGE LIGHTS
P310	CONNECTOR	W266	6-2	TSEC/KY-58 COMMUNICATIONS SECURITY EQUIPMENT
P310	CONNECTOR	W266	6-4	VHF AM-FM RADIO SET AN/ARC-186 (ADH)
P310	CONNECTOR	W266	6-5	VHF AM-FM RADIO SET AN/ARC-186 AND AN/ARC-201A (ADI)
P312	CONNECTOR	W201	6-4	VHF AM-FM RADIO SET AN/ARC-186 (ADH)
P312	CONNECTOR	W201	6-5	VHF AM-FM RADIO SET AN/ARC-186 AND AN/ARC-201A (ADI)

WIRING DIAGRAM DIRECTORY (cont)

REFDES	COMPONENT	CABLE	PARAGRAPH	WIRING DIAGRAM
P313 (ACN)	CONNECTOR	W209	6-4	VHF AM-FM RADIO SET AN/ARC-186 (ADH)
P313 (ACN)	CONNECTOR	W209	6-5	VHF AM-FM RADIO SET AN/ARC-186 AND AN/ARC-201A (ADI)
P314 (AAY)	CONNECTOR	W173	6-4	VHF AM-FM RADIO SET AN/ARC-186 (ADH)
P314 (AAY)	CONNECTOR	W173	6-5	VHF AM-FM RADIO SET AN/ARC-186 AND AN/ARC-201A (ADI)
P315	CONNECTOR	W266	6-1	INTERCOMMUNICATION
P315	CONNECTOR	W266	6-3	UHF-AM RADIO SET
P315	CONNECTOR	W266	6-4	VHF AM-FM RADIO SET AN/ARC-186 (ADH)
P315	CONNECTOR	W266	6-5	VHF AM-FM RADIO SET AN/ARC-186 AND AN/ARC-201A (ADI)
P315	CONNECTOR	W266	9-27	AUDIO WARNING
P317	CONNECTOR	W266	6-1	INTERCOMMUNICATION
P317	CONNECTOR	W266	6-3	UHF-AM RADIO SET
P317	CONNECTOR	W266	6-4	VHF AM-FM RADIO SET AN/ARC-186 (ADH)
P317	CONNECTOR	W266	6-5	VHF AM-FM RADIO SET AN/ARC-186 AND AN/ARC-201A (ADI)
P318	CONNECTOR	W266	6-2	TSEC/KY-58 COMMUNICATIONS SECURITY EQUIPMENT
P318	CONNECTOR	W266	6-3	UHF-AM RADIO SET
P318	CONNECTOR	W266	6-4	VHF AM-FM RADIO SET AN/ARC-186 (ADH)
P318	CONNECTOR	W266	6-5	VHF AM-FM RADIO SET AN/ARC-186 AND AN/ARC-201A (ADI)
P318	CONNECTOR	W266	9-27	AUDIO WARNING
P318	CONNECTOR	W266	16-1	IFF

WIRING DIAGRAM DIRECTORY (cont)

REFDES	COMPONENT	CABLE	PARAGRAPH	WIRING DIAGRAM
P318	CONNECTOR	W266	20-1	AUTOMATIC DIRECTION FINDER (ADF) AN/ARN-89
P318	CONNECTOR	W266	20-6	AUTOMATIC DIRECTION FINDER (ADF) AN/ARN-149
P318	CONNECTOR	W266	21-3	RADAR WARNING SET AN/APR-39(V)1 (ADN) AND AN/APR-39A(V)1 (ADO)
P318	CONNECTOR	W266	21-4	LASER DETECTING SET AN/AVR-2A(V)1 (ADP)
P318	CONNECTOR	W266	26-2	VIDEO DISPLAY UNIT (VDU) AND VIDEO RECORDER
P318 SP1	SPLICE	W266	6-2	TSEC/KY-58 COMMUNICATIONS SECURITY EQUIPMENT
P319	CONNECTOR	W266	6-2	TSEC/KY-58 COMMUNICATIONS SECURITY EQUIPMENT
P319	CONNECTOR	W266	6-3	UHF-AM RADIO SET
P319	CONNECTOR	W266	6-4	VHF AM-FM RADIO SET AN/ARC-186 (ADH)
P319	CONNECTOR	W266	6-5	VHF AM-FM RADIO SET AN/ARC-186 AND AN/ARC-201A (ADI)
P319 SP1	SPLICE	W266	6-2	TSEC/KY-58 COMMUNICATIONS SECURITY EQUIPMENT
P320	CONNECTOR	W266	6-1	INTERCOMMUNICATION
P320	CONNECTOR	W266	6-2	TSEC/KY-58 COMMUNICATIONS SECURITY EQUIPMENT
P320	CONNECTOR	W266	6-4	VHF AM-FM RADIO SET AN/ARC-186 (ADH)
P320	CONNECTOR	W266	6-5	VHF AM-FM RADIO SET AN/ARC-186 AND AN/ARC-201A (ADI)
P320	CONNECTOR	W266	9-27	AUDIO WARNING
P320	CONNECTOR	W266	6-1	IFF
P320 SP1	SPLICE	W266	9-27	AUDIO WARNING

WIRING DIAGRAM DIRECTORY (cont)

REFDES	COMPONENT	CABLE	PARAGRAPH	WIRING DIAGRAM
P320 SP1	SPLICE	W266	16-1	IFF
P323	CONNECTOR	W118	9-19	EDGE LIGHTS
P323	CONNECTOR	W118	18-2	NAVIGATION INSTRUMENTS
P323	CONNECTOR	W118	20-2	DOPPLER NAVIGATION AN/ASN-128
P323	CONNECTOR	W118	20-3	DOPPLER NAVIGATION AN/ASN-137 (ADC)
P323	CONNECTOR	W118	20-3A	DOPPLER NAVIGATION AN/ASN-137 (ADD)
P323	CONNECTOR	W118	20-4	HARS
P323 SP1	SPLICE	W118	18-2	NAVIGATION INSTRUMENTS
P323 SP1	SPLICE	W118	20-3	DOPPLER NAVIGATION AN/ASN-137 (ADC)
P323 SP1	SPLICE	W118	20-3A	DOPPLER NAVIGATION AN/ASN-137 (ADD)
P323 SP2	SPLICE	W118	18-2	NAVIGATION INSTRUMENTS
P323 SP2	SPLICE	W118	20-3A	DOPPLER NAVIGATION AN/ASN-137 (ADD)
P323 SP2	SPLICE	W118	20-3	DOPPLER NAVIGATION AN/ASN-137 (ADC)
P323 SP3	SPLICE	W118	18-2	NAVIGATION INSTRUMENTS
P323 SP3	SPLICE	W118	20-3	DOPPLER NAVIGATION AN/ASN-137 (ADC)
P323 SP3	SPLICE	W118	20-3A	DOPPLER NAVIGATION AN/ASN-137 (ADD)
P329 (AAZ)	CONNECTOR	W173	6-4	VHF AM-FM RADIO SET AN/ARC-186 (ADH)
P329 (AAZ)	CONNECTOR	W173	6-5	VHF AM-FM RADIO SET AN/ARC-186 AND AN/ARC-201A (ADI)
P33	CONNECTOR	W165	25-2	ENGINE ANTI-ICE

WIRING DIAGRAM DIRECTORY (cont)

REFDES	COMPONENT	CABLE	PARAGRAPH	WIRING DIAGRAM
P330 (ACN)	CONNECTOR	W209	6-4	VHF AM-FM RADIO SET AN/ARC-186 (ADH)
P330 (ACN)	CONNECTOR	W209	6-5	VHF AM-FM RADIO SET AN/ARC-186 AND AN/ARC-201A (ADI)
P332	CONNECTOR	W266	6-2	TSEC/KY-58 COMMUNICATIONS SECURITY EQUIPMENT
P332	CONNECTOR	W266	6-4	VHF AM-FM RADIO SET AN/ARC-186 (ADH)
P332	CONNECTOR	W266	6-5	VHF AM-FM RADIO SET AN/ARC-186 AND AN/ARC-201A (ADI)
P332 SP1	SPLICE	W266	6-2	TSEC/KY-58 COMMUNICATIONS SECURITY EQUIPMENT
P332 SP1	SPLICE	W266	6-4	VHF AM-FM RADIO SET AN/ARC-186 (ADH)
P332 SP1	SPLICE	W266	6-4	VHF AM-FM RADIO SET AN/ARC-186 AND AN/ARC-201A (ADI)
P333	CONNECTOR	W266	6-2	TSEC/KY-58 COMMUNICATIONS SECURITY EQUIPMENT
P333 SP1	SPLICE	W266	6-2	TSEC/KY-58 COMMUNICATIONS SECURITY EQUIPMENT
P334	CONNECTOR	W266	6-2	TSEC/KY-58 COMMUNICATIONS SECURITY EQUIPMENT
P334	CONNECTOR	W266	9-19	EDGE LIGHTS
P334 SP1	SPLICE	W266	6-2	TSEC/KY-58 COMMUNICATIONS SECURITY EQUIPMENT
P334 SP2	SPLICE	W266	6-2	TSEC/KY-58 COMMUNICATIONS SECURITY EQUIPMENT
P334 SP2	SPLICE	W266	9-18	CAUTION AND WARNING

WIRING DIAGRAM DIRECTORY (cont)

<u>REFDES</u>	<u>COMPONENT</u>	<u>CABLE</u>	<u>PARAGRAPH</u>	<u>WIRING DIAGRAM</u>
P335	CONNECTOR	W266	6-4	VHF AM-FM RADIO SET AN/ARC-186 (ADH)
P335	CONNECTOR	W266	6-5	VHF AM-FM RADIO SET AN/ARC-186 AND AN/ARC-201A (ADI)
P335	CONNECTOR	W266	9-19	EDGE LIGHTS
P336 (AAY)	CONNECTOR	W172	6-4	VHF AM-FM RADIO SET AN/ARC-186 (ADH)
P336 (AAY)	CONNECTOR	W172	6-5	VHF AM-FM RADIO SET AN/ARC-186 AND AN/ARC-201A (ADI)
P337 (ACN)	CONNECTOR	W210	6-4	VHF AM-FM RADIO SET AN/ARC-186 (ADH)
P337 (ACN)	CONNECTOR	W210	6-4	VHF AM-FM RADIO SET AN/ARC-186 AND AN/ARC-201A (ADI)
P34	CONNECTOR	W166	25-2	ENGINE ANTI-ICE
P341	CONNECTOR	W212	6-3	UHF-AM RADIO SET
P342	CONNECTOR	W266	6-3	UHF-AM RADIO SET
P342	CONNECTOR	W266	9-19	EDGE LIGHTS
P343	CONNECTOR	W190	6-3	UHF-AM RADIO SET
P344	CONNECTOR	W190	6-3	UHF-AM RADIO SET
P345	CONNECTOR	W212	6-3	UHF-AM RADIO SET
P348 (ACN)	CONNECTOR	W210	6-4	VHF AM-FM RADIO SET AN/ARC-186 (ADH)
P348 (ACN)	CONNECTOR	W210	6-5	VHF AM-FM RADIO SET AN/ARC-186 AND AN/ARC-201A (ADI)
P348 (ACP)	CONNECTOR	W230	6-4	VHF AM-FM RADIO SET AN/ARC-186 (ADH)
P348 (ACP)	CONNECTOR	W230	6-5	VHF AM-FM RADIO SET AN/ARC-186 AND AN/ARC-201A (ADI)
P349 (AAY)	CONNECTOR	W172	6-4	VHF AM-FM RADIO SET AN/ARC-186 (ADH)

WIRING DIAGRAM DIRECTORY (cont)

<u>REFDES</u>	<u>COMPONENT</u>	<u>CABLE</u>	<u>PARAGRAPH</u>	<u>WIRING DIAGRAM</u>
P349 (AAY)	CONNECTOR	W172	6-5	VHF AM-FM RADIO SET AN/ARC-186 AND AN/ARC-201A (ADI)
P35	CONNECTOR	W165	23-1	POWER PLANTS
P350	CONNECTOR	W266	9-19	EDGE LIGHTS
P350	CONNECTOR	W266	9-27	AUDIO WARNING
P350	CONNECTOR	W266	20-1	AUTOMATIC DIRECTION FINDER (ADF) AN/ARN-89
P351	CONNECTOR	W118	9-19	EDGE LIGHTS
P351	CONNECTOR	W118	18-2	NAVIGATION INSTRUMENTS
P351	CONNECTOR	W118	20-1	AUTOMATIC DIRECTION FINDER (ADF) AN/ARN-89
P351	CONNECTOR	W118	20-4	HARS
P351 SP1	SPLICE	W118	18-2	NAVIGATION INSTRUMENTS
P351 SP1	SPLICE	W118	20-4	HARS
P36	CONNECTOR	W166	23-1	POWER PLANTS
P361	CONNECTOR	W224	20-1	AUTOMATIC DIRECTION FINDER (ADF) AN/ARN-89
P362	CONNECTOR	W207	20-1	AUTOMATIC DIRECTION FINDER (ADF) AN/ARN-89
P363	CONNECTOR	W183	20-1	AUTOMATIC DIRECTION FINDER (ADF) AN/ARN-89
P364	CONNECTOR	W182	20-1	AUTOMATIC DIRECTION FINDER (ADF) AN/ARN-89
P365	CONNECTOR	W184	20-1	AUTOMATIC DIRECTION FINDER (ADF) AN/ARN-89
P366	CONNECTOR	W224	20-1	AUTOMATIC DIRECTION FINDER (ADF) AN/ARN-89

WIRING DIAGRAM DIRECTORY (cont)

<u>REFDES</u>	<u>COMPONENT</u>	<u>CABLE</u>	<u>PARAGRAPH</u>	<u>WIRING DIAGRAM</u>
P366	CONNECTOR	W224	20-6	AUTOMATIC DIRECTION FINDER (ADF) AN/ARN-149
P367	CONNECTOR	W207	20-1	AUTOMATIC DIRECTION FINDER (ADF) AN/ARN-89
P368	CONNECTOR	W184	20-1	AUTOMATIC DIRECTION FINDER (ADF) AN/ARN-89
P370	CONNECTOR	W102	20-4	HARS
P370	CONNECTOR	W102	20-6	AUTOMATIC DIRECTION FINDER (ADF) AN/ARN-149
P370 SP1	SPLICE	W102	20-6	AUTOMATIC DIRECTION FINDER (ADF) AN/ARN-149
P370 SP2	SPLICE	W102	20-6	AUTOMATIC DIRECTION FINDER (ADF) AN/ARN-149
P371	CONNECTOR	W211	20-4	HARS
P371 EC1 (ACK)	END CAP	W211	20-4	HARS
P373	CONNECTOR	W183	20-1	AUTOMATIC DIRECTION FINDER (ADF) AN/ARN-89

WIRING DIAGRAM DIRECTORY (cont)

<u>REFDES</u>	<u>COMPONENT</u>	<u>CABLE</u>	<u>PARAGRAPH</u>	<u>WIRING DIAGRAM</u>
P374	CONNECTOR	W182	20-1	AUTOMATIC DIRECTION FINDER (ADF) AN/ARN-89
P376	CONNECTOR	W203	20-5	RADAR ALTIMETER (RADALT) SET
P377	CONNECTOR	W202	20-5	RADAR ALTIMETER (RADALT) SET
P378	CONNECTOR	W202	20-5	RADAR ALTIMETER (RADALT) SET
P379	CONNECTOR	W203	20-5	RADARALTIMETER (RADALT) SET
P381	CONNECTOR	W266	20-5	RADAR ALTIMETER (RADALT) SET
P382	CONNECTOR	W266	9-19	EDGE LIGHTS
P382	CONNECTOR	W266	16-1	IFF
P383	CONNECTOR	W119	9-19	EDGE LIGHTS
P384	CONNECTOR	W116	20-5	RADAR ALTIMETER (RADALT) SET

WIRING DIAGRAM DIRECTORY (cont)

REFDES	COMPONENT	CABLE	PARAGRAPH	WIRING DIAGRAM
P384 SP1	SPLICE	W116	20-5	RADAR ALTIMETER (RADALT) SET
P385	CONNECTOR	W118	9-19	EDGE LIGHTS
P388 (ACQ)	CONNECTOR	W187	16-1	IFF
P39	CONNECTOR	W165	23-1	POWER PLANTS
P391	CONNECTOR	W187	16-1	IFF
P392	CONNECTOR	W188	16-1	IFF
P393 (ACQ)	CONNECTOR	W199	16-1	IFF
P394	CONNECTOR	W266	9-19	EDGE LIGHTS
P394	CONNECTOR	W266	9-27	AUDIO WARNING
P394	CONNECTOR	W266	16-1	IFF
P394	CONNECTOR	W266	21-3	RADAR WARNING SET AN/APR-39(V)1
P395	CONNECTOR	W266	9-18	CAUTION AND WARNING
P395	CONNECTOR	W266	16-1	IFF
P397	CONNECTOR	W266	9-19	EDGE LIGHTS
P397	CONNECTOR	W266	20-5	RADAR ALTIMETER (RADALT) SET
P399	CONNECTOR	W266	20-5	RADAR ALTIMETER (RADALT) SET
P399 SP1	SPLICE	W266	20-5	RADAR ALTIMETER (RADALT) SET
P4	CONNECTOR		4-1	AREA WEAPON SYSTEM (AWS)
P4	CONNECTOR	APU	5-1	AUXILIARY POWER UNIT (APU)
P4	CONNECTOR	W605	9-1	AC ELECTRICAL POWER GENERATION

WIRING DIAGRAM DIRECTORY (cont)

REFDES	COMPONENT	CABLE	PARAGRAPH	WIRING DIAGRAM
P4 (A402)	CONNECTOR	W605	9-11	CIRCUIT PROTECTION (DC ESSENTIAL BUS 1-PILOT STATION)
P4 (A402)	CONNECTOR	W668	9-12	CIRCUIT PROTECTION (DC ESSENTIAL BUS 3-PILOT STATION)
P4 (A76)	CONNECTOR	W605	9-2	DC ELECTRICAL POWER GENERATION
P4 (A76)	CONNECTOR	W605	9-7	CIRCUIT PROTECTION (AC ESSENTIAL BUS 2-PILOT STATION)
P4 (A76)	CONNECTOR	W605	9-9	CIRCUIT PROTECTION (DC ESSENTIAL BUS 1-PILOT STATION)
P4 (HR7)	CONNECTOR	W119	25-1	CANOPY DEFOG AND ANTI-ICE
P4 (SR1)	CONNECTOR	W118	25-3	ROTOR BLADES DE-ICE
P40	CONNECTOR	W166	23-1	POWER PLANTS
P400	CONNECTOR	W261	13-3	FUEL QUANTITY INDICATION/TRANSFER
P400	CONNECTOR	W261	13-4	PRESSURE REFUELING/DEFUELING
P400	CONNECTOR	W261	18-1	ENGINE INSTRUMENTS
P400 SP1	SPLICE	W261	18-1	ENGINE INSTRUMENTS
P400 SP2	SPLICE	W261	18-1	ENGINE INSTRUMENTS
P401	CONNECTOR	W261	9-18	CAUTION AND WARNING
P401	CONNECTOR	W261	13-3	FUEL QUANTITY INDICATION/TRANSFER
P401	CONNECTOR	W261	18-1	ENGINE INSTRUMENTS
P401 SP1	SPLICE	W261	18-1	ENGINE INSTRUMENTS
P401 SP2	SPLICE	W261	18-1	ENGINE INSTRUMENTS

WIRING DIAGRAM DIRECTORY (cont)

REFDES	COMPONENT	CABLE	PARAGRAPH	WIRING DIAGRAM
P402	CONNECTOR	W170	12-1	DASE (BUCS DEACTIVATED)
P402	CONNECTOR	W170	12-2	DASE (BUCS ACTIVATED)
P402	CONNECTOR	W170	12-4	STABILATOR
P402	CONNECTOR	W170	15-1	HYDRAULIC
P403	CONNECTOR	W119	4-1	AREA WEAPON SYSTEM (AWS)
P403	CONNECTOR	W119	8-1	DRIVE SYSTEM
P403	CONNECTOR	W119	12-1	DASE (BUCS DEACTIVATED)
P403	CONNECTOR	W119	12-2	DASE (BUCS ACTIVATED)
P403	CONNECTOR	W119	12-3	FORCE TRIM
P403	CONNECTOR	W119	17-1	IHADSS
P403	CONNECTOR	W119	19-1	MULTIPLEX
P403	CONNECTOR	W119	25-1	CANOPY DEFOG AND ANTI-ICE
P403	CONNECTOR	W119	25-3	ROTOR BLADES DE-ICE
P403	CONNECTOR	W119	25-7	TADS/PNVS ANTI-ICE CONTROLS
P403	CONNECTOR	W119	26-2	VIDEO DISPLAY UNIT (VDU) AND VIDEO RECORDER
P404	CONNECTOR	W102	5-1	AUXILIARY POWER UNIT (APU)
P404	CONNECTOR	W102	9-18	CAUTION AND WARNING
P404	CONNECTOR	W102	18-2	NAVIGATION INSTRUMENTS
P404	CONNECTOR	W102	20-4	HARS
P404	CONNECTOR	W102	21-3	RADAR WARNING SET AN/APR-39(V)1 (ADN) AND AN/APR-39A(V)1 (ADO)
P404	CONNECTOR	W102	21-4	LASER DETECTING SET AN/AVR-2A(V)1 (ADP)

WIRING DIAGRAM DIRECTORY (cont)

REFDES	COMPONENT	CABLE	PARAGRAPH	WIRING DIAGRAM
P405	CONNECTOR	W261	9-27	AUDIO WARNING
P405	CONNECTOR	W261	18-1	ENGINE INSTRUMENTS
P407	CONNECTOR	W117	3-1	AERIAL ROCKET CONTROL SYSTEM (ARCS)
P407	CONNECTOR	W117	4-1	AREA WEAPON SYSTEM (AWS)
P407	CONNECTOR	W117	7-1	CHAFF DISPENSER
P407	CONNECTOR	W117	11-1	EXTERNAL STORES CONTROL
P407	CONNECTOR	W117	12-1	DASE (BUCS DEACTIVATED)
P407	CONNECTOR	W117	12-2	DASE (BUCS ACTIVATED)
P407	CONNECTOR	W117	12-3	FORCE TRIM
P407	CONNECTOR	W117	14-1	HELLFIRE MISSILE
P407	CONNECTOR	W117	17-1	IHADSS
P407	CONNECTOR	W117	19-1	MULTIPLEX
P407	CONNECTOR	W117	24-1	TADS
P407	CONNECTOR	W117	26-1	SYMBOL GENERATOR
P407	CONNECTOR	W117	26-2	VIDEO DISPLAY UNIT (VDU) AND VIDEO RECORDER
P407 SP1	SPLICE	W117	3-1	AERIAL ROCKET CONTROL SYSTEM (ARCS)
P407 SP2	SPLICE	W117	3-1	AERIAL ROCKET CONTROL SYSTEM (ARCS)
P408 (L34)	CONNECTOR	W211	12-1	DASE (BUCS DEACTIVATED)
P408 (L34)	CONNECTOR	W211	12-2	DASE (BUCS ACTIVATED)
P409	CONNECTOR	W261	9-18	CAUTION AND WARNING
P409	CONNECTOR	W261	18-1	ENGINE INSTRUMENTS

WIRING DIAGRAM DIRECTORY (cont)

REFDES	COMPONENT	CABLE	PARAGRAPH	WIRING DIAGRAM
P41	CONNECTOR	W165	18-1	ENGINE INSTRUMENTS
P41	CONNECTOR	W165	23-1	POWER PLANTS
P410	CONNECTOR	W170	7-1	CHAFF DISPENSER
P410	CONNECTOR	W170	8-1	DRIVE SYSTEM
P410	CONNECTOR	W170	9-18	CAUTION AND WARNING
P410	CONNECTOR	W170	9-23	FORMATION LIGHTS
P410	CONNECTOR	W170	9-25	NAVIGATION LIGHTS
P410	CONNECTOR	W170	21-3	RADAR WARNING SET AN/APR-39(V)1 (ADN) AND AN/APR-39A(V)1 (ADO)
P410	CONNECTOR	W170	21-4	LASER DETECTING SET AN/AVR-2A(V)1 (ADP)
P411	CONNECTOR	W117	3-1	AERIAL ROCKET CONTROL SYSTEM (ARCS)
P411	CONNECTOR	W117	4-1	AREA WEAPON SYSTEM (AWS)
P411	CONNECTOR	W117	9-19	EDGE LIGHTS
P411	CONNECTOR	W117	11-1	EXTERNAL STORES CONTROL
P411	CONNECTOR	W117	14-1	HELLFIRE MISSILE
P411	CONNECTOR	W117	24-1	TADS
P413	CONNECTOR	W119	12-1	DASE (BUCS DEACTIVATED)
P413	CONNECTOR	W119	12-2	DASE (BUCS ACTIVATED)
P413	CONNECTOR	W119	12-4	STABILATOR
P414	CONNECTOR	W116	14-1	HELLFIRE MISSILE
P415 (L35)	CONNECTOR	W211	12-1	DASE (BUCS DEACTIVATED)
P415 (L35)	CONNECTOR	W211	12-2	DASE (BUCS ACTIVATED)
P416	CONNECTOR	W118	9-18	CAUTION AND WARNING
P416	CONNECTOR	W118	9-26	MAINTENANCE LIGHTS

WIRING DIAGRAM DIRECTORY (cont)

REFDES	COMPONENT	CABLE	PARAGRAPH	WIRING DIAGRAM
P416	CONNECTOR	W118	18-2	NAVIGATION INSTRUMENTS
P416	CONNECTOR	W118	20-2	DOPPLER NAVIGATION AN/ASN-128
P416	CONNECTOR	W118	20-3	DOPPLER NAVIGATION AN/ASN-137 (ADC)
P416	CONNECTOR	W118	20-3A	DOPPLER NAVIGATION AN/ASN-137 (ADD)
P416	CONNECTOR	W118	22-1	PNVS
P417 (L33)	CONNECTOR	W211	12-1	DASE (BUCS DEACTIVATED)
P417 (L33)	CONNECTOR	W211	12-2	DASE (BUCS ACTIVATED)
P418	CONNECTOR	W116	3-1	AERIAL ROCKET CONTROL SYSTEM (ARCS)
P418	CONNECTOR	W116	11-1	EXTERNAL STORES CONTROL
P418	CONNECTOR	W116	14-1	HELLFIRE MISSILE
P418	CONNECTOR	W116	17-1	IHADSS
P418	CONNECTOR	W116	19-1	MULTIPLEX
P418	CONNECTOR	W116	20-5	RADAR ALTIMETER (RADALT) SET
P418	CONNECTOR	W116	22-1	PNVS
P419	CONNECTOR	W117	3-1	AERIAL ROCKET CONTROL SYSTEM (ARCS)
P419	CONNECTOR	W117	4-1	AREA WEAPON SYSTEM (AWS)
P419	CONNECTOR	W117	13-1	AUXILIARY FUEL
P419	CONNECTOR	W117	14-1	HELLFIRE MISSILE
P419	CONNECTOR	W117	19-1	MULTIPLEX
P419	CONNECTOR	W117	20-4	HARS
P42	CONNECTOR	W166	18-1	ENGINE INSTRUMENTS
P42	CONNECTOR	W166	23-1	POWER PLANTS

WIRING DIAGRAM DIRECTORY (cont)

REFDES	COMPONENT	CABLE	PARAGRAPH	WIRING DIAGRAM
P420	CONNECTOR	W102	21-3	RADAR WARNING SET AN/APR-39(V)1 (ADN) AND AN/APR-39A(V)1 (ADO)
P420	CONNECTOR	W102	21-4	LASER DETECTING SET AN/AVR-2A(V)1 (ADP)
P423	CONNECTOR	W117	9-17	CIRCUIT PROTECTION (DC GROUND CIRCUIT BREAKERS - CPG STATION)
P423	CONNECTOR	W117	12-3	FORCE TRIM
P423	CONNECTOR	W117	14-1	HELLFIRE MISSILE
P425	CONNECTOR	W117	3-1	AERIAL ROCKET CONTROL SYSTEM (ARCS)
P425	CONNECTOR	W117	7-1	CHAFF DISPENSER
P425	CONNECTOR	W117	9-5	CIRCUIT PROTECTION (AC ESSENTIAL BUS 1- PILOT STATION)
P425	CONNECTOR	W117	9-12	CIRCUIT PROTECTION (DC ESSENTIAL BUS 3- PILOT STATION)
P425	CONNECTOR	W117	13-1	AUXILIARY FUEL
P425	CONNECTOR	W117	19-1	MULTIPLEX
P425	CONNECTOR	W117	26-1	SYMBOL GENERATOR
P426	CONNECTOR	W116	3-1	AERIAL ROCKET CONTROL SYSTEM (ARCS)
P426	CONNECTOR	W116	4-1	AREA WEAPON SYSTEM (AWS)
P426	CONNECTOR	W116	9-28	SQUAT SWITCH
P426	CONNECTOR	W116	14-1	HELLFIRE MISSILE
P427	CONNECTOR	W211	9-9	CIRCUIT PROTECTION (DC ESSENTIAL BUS 1- PILOT STATION)
P427	CONNECTOR	W211	9-12	CIRCUIT PROTECTION (DC ESSENTIAL BUS 3- PILOT STATION)

WIRING DIAGRAM DIRECTORY (cont)

REFDES	COMPONENT	CABLE	PARAGRAPH	WIRING DIAGRAM
P427	CONNECTOR	W211	12-4	STABILATOR
P428	CONNECTOR	W116	13-1	AUXILIARY FUEL
P428	CONNECTOR	W116	14-1	HELLFIRE MISSILE
P428	CONNECTOR	W116	19-1	MULTIPLEX
P429	CONNECTOR	W119	9-5	CIRCUIT PROTECTION (AC ESSENTIAL BUS 1- PILOT STATION)
P429	CONNECTOR	W119	9-11	CIRCUIT PROTECTION (DC ESSENTIAL BUS 1- PILOT STATION)
P429	CONNECTOR	W119	10-1	ENVIRONMENTAL CONTROL SYSTEM (ECS)
P429	CONNECTOR	W119	12-4	STABILATOR
P429	CONNECTOR	W119	13-1	AUXILIARY FUEL
P429	CONNECTOR	W119	13-2	FUEL CROSSFEED/BOOST
P429	CONNECTOR	W119	13-3	FUEL QUANTITY INDICATION/TRANSFER
P429	CONNECTOR	W119	13-4	PRESSURE REFUELING/DEFUELING
P429	CONNECTOR	W119	18-2	NAVIGATION INSTRUMENTS
P429	CONNECTOR	W119	21-2	RADAR JAMMER AN/ALQ-136
P429	CONNECTOR	W119	25-6	FIRE DETECTION AND EXTINGUISHING
P429	CONNECTOR	W119	26-2	VIDEO DISPLAY UNIT (VDU) AND VIDEO RECORDER
P430	CONNECTOR	W108	5-1	AUXILIARY POWER UNIT (APU)
P430	CONNECTOR	W108	9-1	AC ELECTRICAL POWER GENERATION
P430	CONNECTOR	W108	9-3	EXTERNAL POWER AND GROUND SERVICE UTILITY CONNECTOR

WIRING DIAGRAM DIRECTORY (cont)

<u>REFDES</u>	<u>COMPONENT</u>	<u>CABLE</u>	<u>PARAGRAPH</u>	<u>WIRING DIAGRAM</u>
P430	CONNECTOR	W108	9-4	BATTERY AND BATTERY CHARGER
P430	CONNECTOR	W108	9-7	CIRCUIT PROTECTION (AC ESSENTIAL BUS 2 - PILOT STATION)
P430	CONNECTOR	W08	9-14	CIRCUIT PROTECTION (DC EMERGENCY BUS - PILOT STATION)
P430	CONNECTOR	W108	9-18	CAUTION AND WARNING
P430	CONNECTOR	W108	10-1	ENVIRONMENTAL CONTROL SYSTEM (ECS)
P431	CONNECTOR	W211	2-1	AIR DATA SYSTEM (ADS)
P431	CONNECTOR	W211	8-1	DRIVE SYSTEM
P431	CONNECTOR	W211	9-5	CIRCUIT PROTECTION (AC ESSENTIAL BUS 1 - PILOT STATION)
P431	CONNECTOR	W211	9-12	CIRCUIT PROTECTION (DC ESSENTIAL BUS 3 - PILOT STATION)
P431	CONNECTOR	W211	9-23	FORMATION LIGHTS
P431	CONNECTOR	W211	9-25	NAVIGATION LIGHTS
P431	CONNECTOR	W211	9-28	SQUAT SWITCH
P431	CONNECTOR	W211	12-1	DASE (BUCS DEACTIVATED)
P431	CONNECTOR	W211	12-2	DASE (BUCS ACTIVATED)
P431	CONNECTOR	W211	12-3	FORCE TRIM
P431	CONNECTOR	W211	12-4	STABILATOR
P431	CONNECTOR	W211	15-1	HYDRAULIC
P431	CONNECTOR	W211	20-4	HARS
P431	CONNECTOR	W211	25-2	ENGINE ANTI-ICE
P432	CONNECTOR	W266	6-1	INTERCOMMUNICATION

WIRING DIAGRAM DIRECTORY (cont)

<u>REFDES</u>	<u>COMPONENT</u>	<u>CABLE</u>	<u>PARAGRAPH</u>	<u>WIRING DIAGRAM</u>
P432	CONNECTOR	W266	9-12	CIRCUIT PROTECTION (DC ESSENTIAL BUS 3 - PILOT STATION)
P432	CONNECTOR	W266	9-18	CAUTION AND WARNING
P432	CONNECTOR	W266	9-28	SQUAT SWITCH
P432	CONNECTOR	W266	16-1	IFF
P432	CONNECTOR	W266	20-1	AUTOMATIC DIRECTION FINDER ~ ADF) AiN/ARN-89
P432	CONNECTOR	W266	20-2	DOPPLER NAVIGATION AN/ASN-128
P432	CONNECTOR	W266	20-3	DOPPLER NAVIGATION AN/ASN-137 (ADC)
P432	CONNECTOR	W266	20-3A	DOPPLER NAVIGATION AN/ASN-13, (ADD)
P432	CONNECTOR	W266	20-4	HARS
P432	CONNECTOR	W266	20-6	AUTOMATIC DIRECTION FINDER (ADF) AN/ARN-149
P432	CONNECTOR	W266	20-7	DATA TRANSFER UNIT (ADD)
P432	CONNECTOR	W266	20-8	EGI (ADD)
P433	CONNECTOR	W119	2-1	AIR DATA SYSTEM (ADS)
P433	CONNECTOR	W119	3-1	AERIAL ROCKET CONTROL SYSTEM (ARCS)
P433	CONNECTOR	W119	4-1	AREA WEAPON SYSTEM (AWS)
P433	CONNECTOR	W119	5-1	AUXILIARY POWER UNIT (APU)
P433	CONNECTOR	W119	6-1	INTERCOMMUNICATION
P433	CONNECTOR	W119	9-1	AC ELECTRICAL POWER GENERATION
P433	CONNECTOR	W119	9-3	EXTERNAL POWER AND GROUND SERVICE UTILITY CONNECTOR
P433	CONNECTOR	W119	9-9	CIRCUIT PROTECTION (DC ESSENTIAL BUS 1 -PILOT STATION)

WIRING DIAGRAM DIRECTORY (cont)

REFDES	COMPONENT	CABLE	PARAGRAPH	WIRING DIAGRAM
P433	CONNECTOR	W119	9-14	CIRCUIT PROTECTION (DC EMERGENCY BUS - PILOT STATION)
P433	CONNECTOR	W119	9-28	SQUAT SWITCH
P433	CONNECTOR	W119	10-1	ENVIRONMENT CONTROL SYSTEM (ECS)
P433	CONNECTOR	W119	11-1	EXTERNAL STORES CONTROL
P433	CONNECTOR	W119	12-1	DASE (BUCS DEACTIVATED)
P433	CONNECTOR	W119	12-2	BASE (BUCS ACTIVATED)
P433	CONNECTOR	W119	16-1	IFF
P433	CONNECTOR	W119	20-4	HARS
P433	CONNECTOR	W119	23-1	POWER PLANTS
P433	CONNECTOR	W119	25-1	CANOPY DEFOG AND ANTI-ICE
P433	CONNECTOR	W119	25-2	ENGINE ANTI-ICE
P433	CONNECTOR	W119	25-3	ROTOR BLADES DE-ICE
P433	CONNECTOR	W119	25-4	PITOT ANTI-ICE
P433	CONNECTOR	W119	25-6	FIRE DETECTION AND EXTINGUISHING
P433	CONNECTOR	W119	25-7	TADS/PNVS ANTI-ICE CONTROLS
P435	CONNECTOR	W261	8-1	DRIVE SYSTEM
P435	CONNECTOR	W261	9-18	CAUTION AND WARNING
P435	CONNECTOR	W261	9-27	AUDIO WARNING
P435	CONNECTOR	W261	12-4	STABILATOR
P435	CONNECTOR	W261	18-1	ENGINE INSTRUMENTS
P436	CONNECTOR	W102	7-1	CHAFF DISPENSER

WIRING DIAGRAM DIRECTORY (cont)

REFDES	COMPONENT	CABLE	PARAGRAPH	WIRING DIAGRAM
P436	CONNECTOR	W102	9-18	CAUTION AND WARNING
P436	CONNECTOR	W102	9-26	MAINTENANCE LIGHTS
P436	CONNECTOR	W102	13-5	NITROGEN INERTING
P436	CONNECTOR	W102	15-1	HYDRAULIC
P436	CONNECTOR	W102	22-1	PNVS
P437	CONNECTOR	W119	2-1	AIR DATA SYSTEM (ADS)
P437	CONNECTOR	W119	9-5	CIRCUIT PROTECTION (AC ESSENTIAL BUS 1 - PILOT STATION)
P437	CONNECTOR	W119	9-7	CIRCUIT PROTECTION (AC ESSENTIAL BUS 2 - PILOT STATION)
P437	CONNECTOR	W119	9-9	CIRCUIT PROTECTION (DC ESSENTIAL BUS 1 - PILOT STATION)
P437	CONNECTOR	W119	9-11	CIRCUIT PROTECTION (DC ESSENTIAL BUS 1 - PILOT STATION)
P437	CONNECTOR	W119	9-12	CIRCUIT PROTECTION (DC ESSENTIAL BUS 3 - PILOT STATION)
P437	CONNECTOR	W119	10-1	ENVIRONMENTAL CONTROL SYSTEM (ECS)
P437	CONNECTOR	W119	12-4	STABILATOR
P437	CONNECTOR	W119	13-1	AUXILIARY FUEL
P437	CONNECTOR	W119	13-3	FUEL QUANTITY INDICATION/TRANSFER
P437	CONNECTOR	W119	21-1	IR JAMMER AN/ALQ-144
P437	CONNECTOR	W119	25-1	CANOPY DEFOG AND ANTI-ICE
P437	CONNECTOR	W119	25-2	ENGINE ANTI-ICE
P437	CONNECTOR	W119	25-4	PITOT ANTI-ICE

WIRING DIAGRAM DIRECTORY (cont)

WIRING DIAGRAM DIRECTORY (cont)

REFDES	COMPONENT	CABLE	PARAGRAPH	WIRING DIAGRAM
P437	CONNECTOR	W119	25-5	WINDSHIELD WIPERS
P437 SP1	SPLICE	W119	10-1	ENVIRONMENTAL, CONTROL SYSTEM (ECS)
P437 SP2	SPLICE	W119	10-1	ENVIRONMENTAL CONTROL SYSTEM (ECS)
P437 SP2	SPLICE	W119	10-1	ENVIRONMENTAL CONTROL SYSTEM (ECS)
P438	CONNECTOR	W118	8-1	DRIVE SYSTEM
P438	CONNECTOR	W118	9-11	CIRCUIT PROTECTION (DC ESSENTIAL BUS 1- PILOT STATION)
P438	CONNECTOR	W118	9-18	CAUTION AND WARNING
P438	CONNECTOR	W118	13-4	PRESSURE REFUELING/DEFUELING
P438	CONNECTOR	W118	18-2	NAVIGATION INSTRUMENTS
P438	CONNECTOR	W118	20-1	AUTOMATIC DIRECTION FINDER (ADF) AN/ARN-89
P438	CONNECTOR	W118	20-4	HARS
P438	CONNECTOR	W118	21-1	IR JAMMER AN/ALQ-144
P438	CONNECTOR	W118	21-2	RADAR JAMMER AN/ALQ-136
P438	CONNECTOR	W118	23-1	POWER PLANTS
P438	CONNECTOR	W118	25-2	ENGINE ANTI-ICE
P438	CONNECTOR	W118	25-3	ROTOR BLADES DE-ICE
P438	CONNECTOR	W118	25-6	FIRE DETECTION AND EXTINGUISHING
P439	CONNECTOR	W119	8-1	DRIVE SYSTEM
P439	CONNECTOR	W119	9-1	AC ELECTRICAL POWER GENERATION

REFDES	COMPONENT	CABLE	PARAGRAPH	WIRING DIAGRAM
P439	CONNECTOR	W119	9-3	EXTERNAL POWER AND GROUND SERVICE UTILITY CONNECTOR
P439	CONNECTOR	W119	9-4	BATTERY AND BATTERY CHARGER
P439	CONNECTOR	W119	9-5	CIRCUIT PROTECTION (AC ESSENTIAL BUS 1- PILOT STATION)
P439	CONNECTOR	W119	9-23	FORMATION LIGHTS
P439	CONNECTOR	W119	13-1	AUXILLARY FUEL
P439	CONNECTOR	W119	23-1	POWER PLANTS
P439	CONNECTOR	W119	25-2	ENGINE ANTI-ICE
P440	CONNECTOR	W118	5-1	AUXILIARY POWER UNIT (APU)
P440	CONNECTOR	W118	9-1	AC ELECTRICAL POWER GENERATION
P440	CONNECTOR	W118	9-2	DC ELECTRICAL POWER GENERATION
P440	CONNECTOR	W118	9-4	BATTERY AND BATTERY CHARGER
P440	CONNECTOR	W118	9-11	CIRCUIT PROTECTION (DC ESSENTIAL BUS 1- PILOT STATION)
P440	CONNECTOR	W118	9-18	CAUTION AND WARNING
P440	CONNECTOR	W118	9-23	FORMATION LIGHTS
P440	CONNECTOR	W118	13-3	FUEL QUANTITY INDICATION/TRANSFER
P440	CONNECTOR	W118	13-4	PRESSURE REFUELING/DEFUELING
P440	CONNECTOR	W118	15-1	HYDRAULIC
P440	CONNECTOR	W118	15-2	PRESSURIZED AIR SYSTEM (PAS)

WIRING DIAGRAM DIRECTORY (cont)

REFDES	COMPONENT	CABLE	PARAGRAPH	WIRING DIAGRAM
P440	CONNECTOR	W118	18-2	NAVIGATION INSTRUMENTS
P440	CONNECTOR	W118	20-4	HARS
P440	CONNECTOR	W118	25-2	ENGINE ANTI-ICE
P441	CONNECTOR	W119	9-1	AC ELECTRICAL POWER GENERATION
P441	CONNECTOR	W119	9-5	CIRCUIT PROTECTION (AC ESSENTIAL BUS 1 - PILOT STATION)
P441	CONNECTOR	W119	9-9	CIRCUIT PROTECTION (DC ESSENTIAL BUS 1- PILOT STATION)
P441	CONNECTOR	W119	9-11	CIRCUIT PROTECTION (DC ESSENTIAL BUS 1- PILOT STATION)
P441	CONNECTOR	W119	9-12	CIRCUIT PROTECTION (DC ESSENTIAL BUS 3- PILOT STATION)
P441	CONNECTOR	W119	9-23	FORMATION LIGHTS
P441	CONNECTOR	W119	9-28	SQUAT SWITCH
P441	CONNECTOR	W119	10-1	ENVIRONMENTAL CONTROL SYSTEM (ECS)
P441	CONNECTOR	W119	11-2	EXTERNAL STORES JETTISON
P441	CONNECTOR	W119	12-1	DASE (BUCS DEACTIVATED)
P441	CONNECTOR	W119	12-2	DASE (BUCS ACTIVATED)
P441	CONNECTOR	W119	12-3	FORCE TRIM
P441	CONNECTOR	W119	12-4	STABILATOR
P441	CONNECTOR	W119	13-2	FUEL CROSSFEED/BOOST
P441	CONNECTOR	W119	13-4	PRESSURE REFUELING/DEFUELING
P441	CONNECTOR	W119	15-1	HYDRAULIC

WIRING DIAGRAM DIRECTORY (cont)

REFDES	COMPONENT	CABLE	PARAGRAPH	WIRING DIAGRAM
P441	CONNECTOR	W119	25-2	ENGINE ANTI-ICE
P442	CONNECTOR	W102	2-1	AIR DATA SYSTEM (ADS)
P442	CONNECTOR	W102	5-1	AUXILIARY POWER UNIT (APU)
P442	CONNECTOR	W102	9-5	CIRCUIT PROTECTION (AC ESSENTIAL BUS 1 - PILOT STATION)
P442	CONNECTOR	W102	9-12	CIRCUIT PROTECTION (DC ESSENTIAL BUS 3 - PILOT STATION)
P442	CONNECTOR	W102	9-23	FORMATION LIGHTS
P442	CONNECTOR	W102	10-1	ENVIRONMENTAL CONTROL SYSTEM (ECS)
P442	CONNECTOR	W102	13-2	FUEL CROSSFEED/BOOST
P442	CONNECTOR	W102	15-1	HYDRAULIC
P442	CONNECTOR	W102	15-2	PRESSURIZED AIR SYSTEM (PAS)
P442	CONNECTOR	W102	20-4	HARS
P442	CONNECTOR	W102	20-6	AUTOMATIC DIRECTION FINDER (ADF) AN/ARN-149
P442	CONNECTOR	W102	25-4	PITOT ANTI-ICE
P442	CONNECTOR	W102	25-6	FIRE DETECTION AND EXTINGUISHING
P444	CONNECTOR	W268	5-1	AUXILIARY POWER UNIT (APU)
P444	CONNECTOR	W268	13-2	FUEL CROSSFEED/BOOST
P444	CONNECTOR	W268	13-3	FUEL QUANTITY INDICATION/TRANSFER
P444	CONNECTOR	W268	13-4	PRESSURE REFUELING/DEFUELING
P445	CONNECTOR	W211	12-2	DASE (BUCS ACTIVATED)

WIRING DIAGRAM DIRECTORY (cont)

REFDES	COMPONENT	CABLE	PARAGRAPH	WIRING DIAGRAM
P446	CONNECTOR	W108	9-4	BATTERY AND BATTERY CHARGER
P446	CONNECTOR	W108	9-9	CIRCUIT PROTECTION (DC ESSENTIAL BUS 1 - PILOT STATION)
P447	CONNECTOR	W211	9-18	CAUTION AND WARNING
P447	CONNECTOR	W211	9-27	AUDIO WARNING
P447	CONNECTOR	W211	12-1	DASE (BUCS DEACTIVATED)
P447	CONNECTOR	W211	12-2	DASE (BUCS ACTIVATED)
P447	CONNECTOR	W211	12-3	FORCE TRIM
P447	CONNECTOR	W211	12-4	STABILATOR
P448	CONNECTOR	W118	9-18	CAUTION AND WARNING
P448	CONNECTOR	W118	9-25	NAVIGATION LIGHTS
P448	CONNECTOR	W118	23-1	POWER PLANTS
P448	CONNECTOR	W118	25-3	ROTOR BLADES DE-ICE
P449	CONNECTOR	W211	8-1	DRIVE SYSTEM
P449	CONNECTOR	W211	9-18	CAUTION AND WARNING
P449	CONNECTOR	W211	15-1	HYDRAULIC
P449	CONNECTOR	W211	18-1	ENGINE INSTRUMENTS
P449	CONNECTOR	W211	23-1	POWER PLANTS
P449	CONNECTOR	W211	25-2	ENGINE ANTI-ICE
P449	CONNECTOR	W211	25-3	ROTOR BLADES DE-ICE
P449	CONNECTOR	W211	26-2	VIDEO DISPLAY UNIT (VDU) AND VIDEO RECORDER
P45	CONNECTOR	W165	9-18	CAUTION AND WARNING
P45	CONNECTOR	W165	18-1	ENGINE INSTRUMENTS

WIRING DIAGRAM DIRECTORY (cont)

REFDES	COMPONENT	CABLE	PARAGRAPH	WIRING DIAGRAM
P45	CONNECTOR	W165	23-1	POWER PLANTS
P45	CONNECTOR	W165	25-2	ENGINE ANTI-ICE
P45 SP1	SPLICE	W165	18-1	ENGINE INSTRUMENTS
P450	CONNECTOR	W118	9-5	CIRCUIT PROTECTION (AC ESSENTIAL BUS 1 - PILOT STATION)
P450	CONNECTOR	W118	25-2	ENGINE ANTI-ICE
P450	CONNECTOR	W118	25-4	PITOT ANTI-ICE
P450 SP1	SPLICE	W118	25-4	PITOT ANTI-ICE
P452	CONNECTOR	W264	18-1	ENGINE INSTRUMENTS
P453	CONNECTOR	W117	3-1	AERIAL ROCKET CONTROL SYSTEM (ARCS)
P453	CONNECTOR	W117	4-1	AREA WEAPON SYSTEM (AWS)
P453	CONNECTOR	W117	9-11	CIRCUIT PROTECTION (DC ESSENTIAL BUS 1 - PILOT STATION)
P453	CONNECTOR	W117	9-28	SQUAT SWITCH
P453	CONNECTOR	W117	11-1	EXTERNAL STORES CONTROL
P453	CONNECTOR	W117	14-1	HELLFIRE MISSILE
P453	CONNECTOR	W117	19-1	MULTIPLEX
P453 SP1	SPLICE	W117	3-1	AERIAL ROCKET CONTROL SYSTEM (ARCS)
P453 SP1	SPLICE	W117	4-1	AREA WEAPON SYSTEM (AWS)
P453 SP1	SPLICE	W117	11-1	EXTERNAL STORES CONTROL
P453 SP2	SPLICE	W117	4-1	AREA WEAPON SYSTEM (AWS)

WIRING DIAGRAM DIRECTORY (cont)

REFDES	COMPONENT	CABLE	PARAGRAPH	WIRING DIAGRAM
P453 SP2	SPLICE	W117	11-1	EXTERNAL STORES CONTROL
P453 SP3	SPLICE	W117	3-1	AERIAL ROCKET CONTROL SYSTEM (ARCS)
P453 SP3	SPLICE	W117	11-1	EXTERNAL STORES CONTROL
P453 SP4	SPLICE	W117	19-1	MULTIPLEX
P454	CONNECTOR	W116	9-5	CIRCUIT PROTECTION (AC ESSENTIAL BUS 1 - PILOT STATION)
P454	CONNECTOR	W116	9-12	CIRCUIT PROTECTION (DC ESSENTIAL BUS 3 - PILOT STATION)
P454	CONNECTOR	W116	14-1	HELLFIRE MISSILE
P454	CONNECTOR	W116	22-1	PNVS
P454 SP1	SPLICE	W116	22-1	PNVS
P454 SP2	SPLICE	W116	22-1	PNVS
P454 SP3	SPLICE	W116	22-1	PNVS
P454 SP4	SPLICE	W116	22-1	PNVS
P455	CONNECTOR	W170	12-4	STABILATOR
P455	CONNECTOR	W170	25-3	ROTOR BLADES DE-ICE
P456	CONNECTOR	W118	8-1	DRIVE SYSTEM
P456	CONNECTOR	W118	9-18	CAUTION AND WARNING
P456	CONNECTOR	W118	12-1	DASE (BUCS DEACTIVATED)
P456	CONNECTOR	W118	12-2	DASE (BUCS ACTIVATED)
P456	CONNECTOR	W118	18-1	ENGINE INSTRUMENTS
P456	CONNECTOR	W118	23-1	POWER PLANTS
P456	CONNECTOR	W118	25-2	ENGINE ANTI-ICE

WIRING DIAGRAM DIRECTORY (cont)

REFDES	COMPONENT	CABLE	PARAGRAPH	WIRING DIAGRAM
P456	CONNECTOR	W118	25-3	ROTOR BLADES DE-ICE
P457	CONNECTOR	W119	9-5	CIRCUIT PROTECTION (AC ESSENTIAL BUS 1 - PILOT STATION)
P457	CONNECTOR	W119	9-11	CIRCUIT PROTECTION DC ESSENTIAL BUS 1 - PILOT STATION)
P457	CONNECTOR	W119	9-12	CIRCUIT PROTECTION (DC ESSENTIAL BUS 3 - PILOT STATION)
P457	CONNECTOR	W119	9-19	EDGE LIGHTS
P457	CONNECTOR	W119	9-22	ANTI-COLLISION LIGHTS
P457	CONNECTOR	W119	9-25	NAVIGATION LIGHTS
P457	CONNECTOR	W119	11-2	EXTERNAL STORES JETTISON
P457	CONNECTOR	W119	25-3	ROTOR BLADES DE-ICE
P457	CONNECTOR	W119	26-2	VIDEO DISPLAY UNIT (VDU) AND VIDEO RECORDER
P458	CONNECTOR	W116	11-1	EXTERNAL STORES CONTROL
P458	CONNECTOR	W116	11-2	EXTERNAL STORES JETTISON
P459	CONNECTOR	W211	12-1	DASE (BUCS DEACTIVATED)
P459	CONNECTOR	W211	12-2	DASE (BUCS ACTIVATED)
P459	CONNECTOR	W211	26-2	VIDEO DISPLAY UNIT (VDU) AND VIDEO RECORDER
P46	CONNECTOR	W166	9-18	CAUTION AND WARNING
P46	CONNECTOR	W166	18-1	ENGINE INSTRUMENTS
P46	CONNECTOR	W166	23-1	POWER PLANTS

WIRING DIAGRAM DIRECTORY (cont)

WIRING DIAGRAM DIRECTORY (cont.)

REFDES	COMPONENT	CABLE PARAGRAPH	WIRING DIAGRAM
P46	CONNECTOR	W166 25-2	ENGINE ANTI-ICE
P46 SP1	SPLICE	W166 18-1	ENGINE INSTRUMENTS
P461	CONNECTOR	W145 9-1	AC ELECTRICAL POWER GENERATION
P461	CONNECTOR	W145 9-2	DC ELECTRICAL POWER GENERATION
P461	CONNECTOR	W145 9-6	CIRCUIT PROTECTION (AC ESSENTIAL BUS 1-CPG STATION)
P461	CONNECTOR	W145 9-8	CIRCUIT PROTECTION (AC ESSENTIAL BUS 2-CPG STATION)
P461	CONNECTOR	W145 9-10	CIRCUIT PROTECTION (DC ESSENTIAL BUS 1-CPG STATION)
P461	CONNECTOR	W145 9-13	CIRCUIT PROTECTION (DC ESSENTIAL BUS 3-CPG STATION)
P461	CONNECTOR	W145 9-15	CIRCUIT PROTECTION (DC EMERGENCY BUS - CPG STATION)
P463	CONNECTOR	W119 3-1	AERIAL ROCKET CONTROL SYSTEM (ARCS)
P463	CONNECTOR	W119 4-1	AREA WEAPON SYSTEM (AWS)
P463	CONNECTOR	W119 5-1	AUXILIARY POWER UNIT (APU)
P463	CONNECTOR	W119 6-1	INTERCOMMUNICATION
P463	CONNECTOR	W119 6-2	TSEC/KY-58 COMMUNICATIONS SECURITY EQUIPMENT
P463	CONNECTOR	W119 6-3	UHF-AM RADIO SET
P463	CONNECTOR	W119 6-4	VHF AM-FM RADIO SET AN/ARC-186 (ADH)
P463	CONNECTOR	W119 6-5	VHF AM-FM RADIO SET AN/ARC-186 AND AN/ARC-201A (ADI)

REFDES	COMPONENT	CABLE PARAGRAPH	WIRING DIAGRAM
P463	CONNECTOR	W119 7-1	DISPENSER
P463	CONNECTOR	W119 8-1	DRIVE SYSTEM
P463	CONNECTOR	W119 9-14	CIRCUIT PROTECTION (DC EMERGENCY BUS - PILOT STATION)
P463	CONNECTOR	W119 9-18	CAUTION AND WARNING
P463	CONNECTOR	W119 9-19	EDGE LIGHTS
P463	CONNECTOR	W119 9-21	PILOT UTILITY AND SECONDARY LIGHTS
P463	CONNECTOR	W119 9-24	LANDING/SEARCH LIGHTS
P463	CONNECTOR	W119 9-27	AUDIO WARNING
P463	CONNECTOR	W119 11-1	EXTERNAL STORES CONTROL
P463	CONNECTOR	W119 11-2	EXTERNAL STORES JETTISON
P463	CONNECTOR	W119 12-1	DASE (BUCS DEACTIVATED)
P463	CONNECTOR	W119 12-2	DASE (BUCS ACTIVATED)
P463	CONNECTOR	W119 12-3	FORCE TRIM
P463	CONNECTOR	W119 12-4	STABILATOR
P463	CONNECTOR	W119 13-4	PRESSURE REFUELING/DEFUELING
P463	CONNECTOR	W119 15-1	HYDRAULIC
P463	CONNECTOR	W119 16-1	IFF
P463	CONNECTOR	W119 18-1	ENGINE INSTRUMENTS
P463	CONNECTOR	W119 20-1	AUTOMATIC DIRECTION FINDER (ADF) AN/ARN-89
P463	CONNECTOR	W119 20-4	HARS
P463	CONNECTOR	W119 20-5	RADAR ALTIMETER (RADALT) SET
P463	CONNECTOR	W119 20-7	DATA TRANSFER UNIT (ADD)
P463	CONNECTOR	W119 20-8	EGI (ADD)

WIRING DIAGRAM DIRECTORY (cont)

REFDES	COMPONENT	CABLE PARAGRAPH		WIRING DIAGRAM
P463	CONNECTOR	W119	21-3	RADAR WARNING SET AN/APR-39(V)1 (ADN) AND AN/APR-39A(V)1 (ADO)
P463	CONNECTOR	W119 W673	21-4	LASER DETECTING SET AN/AVR-2A(V)1 (ADP)
P463	CONNECTOR	W119	23-1	POWER PLANTS
P463	CONNECTOR	W119	25-4	PITOT ANTI-ICE
P463	CONNECTOR	W119	25-6	FIRE DETECTION AND EXTINGUISHING
P463 SP1	SPLICE	W119	5-1	AUXILIARY POWER UNIT (APU)
P463 SP1	SPLICE	W119	11-2	EXTERNAL STORES JETTISON
P465	CONNECTOR	W119	9-19	EDGE LIGHTS
P466	CONNECTOR	W118	9-18	CAUTION AND WARNING
P466	CONNECTOR	W118	9-19	EDGE LIGHTS
P466	CONNECTOR	W118	9-24	LANDING/SEARCH LIGHTS
P466	CONNECTOR	W118	10-1	ENVIRONMENTAL CONTROL SYSTEM (ECS)
P466	CONNECTOR	W118	12-4	STABILATOR
P467	CONNECTOR	W261	13-3	FUEL QUANTITY INDICATION/TRANSFER
P467	CONNECTOR	W261	18-1	ENGINE INSTRUMENTS
P468	CONNECTOR	W266	6-2	TSEC/KY-58 COMMUNICATIONS SECURITY EQUIPMENT
P468	CONNECTOR	W266	6-4	VHF AM-FM RADIO SET AN/ARC-186 (ADH)
P468	CONNECTOR	W266	6-5	VHF AM-FM RADIO SET AN/ARC-186 AND AN/ARC-201A (ADI)
P468	CONNECTOR	W266	9-18	CAUTION AND WARNING
P468	CONNECTOR	W266	9-19	EDGE LIGHTS
P468	CONNECTOR	W266	20-3	DOPPLER NAVIGATION AN/ASN-137 (ADC)
P469	CONNECTOR	W119	9-18	CAUTION AND WARNING

WIRING DIAGRAM DIRECTORY (cont)

REFDES	COMPONENT	CABLE PARAGRAPH		WIRING DIAGRAM
P469	CONNECTOR	W119	9-27	AUDIO WARNING
P469	CONNECTOR	W119	12-4	STABILATOR
P469	CONNECTOR	W119	18-1	ENGINE INSTRUMENTS
P469	CONNECTOR	W119	23-1	POWER PLANTS
P47 (HR3)	CONNECTOR	W119	25-2	ENGINE ANTI-ICE
P470	CONNECTOR	W264	18-1	ENGINE INSTRUMENTS
P471	CONNECTOR	W117	3-1	AERIAL ROCKET CONTROL SYSTEM (ARCS)
P471	CONNECTOR	W117	9-19	EDGE LIGHTS
P471	CONNECTOR	W117	20-3	DOPPLER NAVIGATION AN/ASN-137
P471	CONNECTOR	W117	20-5	RADAR ALTIMETER (RADALT) SET
P472	CONNECTOR	W118	12-1	DASE (BUCS DEACTIVATED)
P472	CONNECTOR	W118	12-2	DASE (BUCS ACTIVATED)
P472	CONNECTOR	W118	12-4	STABILATOR
P473	CONNECTOR	W119	8-1	DRIVE SYSTEM
P473	CONNECTOR	W119	9-18	CAUTION AND WARNING
P473	CONNECTOR	W119	9-19	EDGE LIGHTS
P473	CONNECTOR	W119	10-1	ENVIRONMENTAL CONTROL SYSTEM (ECS)
P473	CONNECTOR	W119	12-4	STABILATOR
P473	CONNECTOR	W119	25-5	WINDSHIELD WIPERS
P475	CONNECTOR	W119	9-19	EDGE LIGHTS
P475	CONNECTOR	W119	25-6	FIRE DETECTION AND EXTINGUISHING
P477	CONNECTOR	W119	8-1	DRIVE SYSTEM
P477	CONNECTOR	W119	9-18	CAUTION AND WARNING
P477	CONNECTOR	W119	9-19	EDGE LIGHTS

WIRING DIAGRAM DIRECTORY (cont)

REFDES	COMPONENT	CABLE	PARAGRAPH	WIRING DIAGRAM
P477	CONNECTOR	W119	10-1	ENVIRONMENTAL CONTROL SYSTEM (ECS)
P478	CONNECTOR	W116	9-1	AC ELECTRICAL POWER GENERATION
P478	CONNECTOR	W116	9-5	CIRCUIT PROTECTION (AC ESSENTIAL BUS 1 - PILOT STATION)
P478	CONNECTOR	W116	11-1	EXTERNAL STORES CONTROL
P478	CONNECTOR	W116	11-2	EXTERNAL STORES JETTISON
P478	CONNECTOR	W116	13-1	AUXILIARY FUEL
P478	CONNECTOR	W116	17-1	IHADSS
P478	CONNECTOR	W116	19-1	MULTIPLEX
P478	CONNECTOR	W116	20-4	HARS
P479	CONNECTOR	W261	9-19	EDGE LIGHTS
P48 (HR4)	CONNECTOR	W118	25-2	ENGINE ANTI-ICE
P480	CONNECTOR	W118	9-18	CAUTION AND WARNING
P480	CONNECTOR	W118	9-19	EDGE LIGHTS
P480	CONNECTOR	W118	10-1	ENVIRONMENTAL CONTROL SYSTEM (ECS)
P481	CONNECTOR	W119	9-19	EDGE LIGHTS
P481	CONNECTOR	W119	9-24	LANDING/SEARCH LIGHTS
P482	CONNECTOR	W118	8-1	DRIVE SYSTEM
P482	CONNECTOR	W118	9-18	CAUTION AND WARNING
P482	CONNECTOR	W118	9-27	AUDIO WARNING
P482	CONNECTOR	W118	18-1	ENGINE INSTRUMENTS
P483	CONNECTOR	W117	3-1	AERIAL ROCKET CONTROL SYSTEM (ARCS)

WIRING DIAGRAM DIRECTORY (cont)

REFDES	COMPONENT	CABLE	PARAGRAPH	WIRING DIAGRAM
P483	CONNECTOR	W117	4-1	AREA WEAPON SYSTEM (AWS)
P483	CONNECTOR	W117	9-5	CIRCUIT PROTECTION (AC ESSENTIAL BUS 1 - PILOT STATION)
P483	CONNECTOR	W117	9-11	CIRCUIT PROTECTION (DC ESSENTIAL BUS 1 - PILOT STATION)
P483	CONNECTOR	W117	9-12	CIRCUIT PROTECTION (DC ESSENTIAL BUS 3 - PILOT STATION)
P483	CONNECTOR	W117	9-28	SQUAT SWITCH
P483	CONNECTOR	W117	11-1	EXTERNAL STORES CONTROL
P483	CONNECTOR	W117	11-2	EXTERNAL STORES JETTISON
P483	CONNECTOR	W117	14-1	HELLFIRE MISSILE
P483	CONNECTOR	W117	17-1	IHADSS
P483	CONNECTOR	W117	26-1	SYMBOL GENERATOR
P484	CONNECTOR	W117	19-1	MULTIPLEX
P485	CONNECTOR	W211	12-4	STABILATOR
P485 SP1	SPLICE	W211	12-4	STABILATOR
P485 SP2	SPLICE	W211	12-4	STABILATOR
P485 SP3	SPLICE	W211	12-4	STABILATOR
P485 SP4	SPLICE	W211	12-4	STABILATOR
P485 SP5	SPLICE	W211	12-4	STABILATOR
P486	CONNECTOR	W199	16-1	IFF
P487	CONNECTOR	W119	9-19	EDGE LIGHTS
P487 SP1	SPLICE	W119	9-19	EDGE LIGHTS

WIRING DIAGRAM DIRECTORY (cont)

<u>REFDES</u>	<u>COMPONENT</u>	<u>CABLE</u>	<u>PARAGRAPH</u>	<u>WIRING DIAGRAM</u>
P488	CONNECTOR	W1185-1		AUXILIARY POWER UNIT (APU)
P488	CONNECTOR	W118	7-1	CHAFF DISPENSER
P488	CONNECTOR	W118	9-1	AC ELECTRICAL POWER GENERATION
P488	CONNECTOR	W118	9-5	CIRCUIT PROTECTION (AC ESSENTIAL BUS 1 - PILOT STATION)
P488	CONNECTOR	W118	9-11	CIRCUIT PROTECTION (DC ESSENTIAL BUS 1 - PILOT STATION)
P488	CONNECTOR	W118	123	FORCE TRIM
P488	CONNECTOR	W118	25-6	FIRE DETECTION AND EXTINGUISHING
P49	CONNECTOR	W261	8-1	DRIVE SYSTEM
P49	CONNECTOR	W261	9-18	CAUTION AND WARNING
P49	CONNECTOR	W261	9-27	AUDIO WARNING
P49	CONNECTOR	W261	12-4	STABILATOR
P49	CONNECTOR	W261	18-1	ENGINE INSTRUMENTS
P49	CONNECTOR	W261	23-1	POWER PLANTS
P49 SP1	SPLICE	W261	9-27	AUDIO WARNING
P491	CONNECTOR	W211	12-4	STABILATOR
P492	CONNECTOR	W102	5-1	AUXILIARY POWER UNIT (APU)
P493	CONNECTOR	W211	12-1	DASE (BUCS DEACTIVATED)
P493	CONNECTOR	W211	12-2	DASE (BUCS ACTIVATED)
P493	CONNECTOR	W211	20-4	HARS
P494	CONNECTOR	W211	12-4	STABILATOR
P495	CONNECTOR	W117	19-1	MULTIPLEX

WIRING DIAGRAM DIRECTORY (cont)

<u>REFDES</u>	<u>COMPONENT</u>	<u>CABLE</u>	<u>PARAGRAPH</u>	<u>WIRING DIAGRAM</u>
P496	CONNECTOR	W266	20-2	DOPPLER NAVIGATION AN/ASN-128
P496	CONNECTOR	W266	20-3	DOPPLER NAVIGATION AN/ASN-137 (ADC)
P432	CONNECTOR	W266	20-3A	DOPPLER NAVIGATION AN/ASN-137 (ADD)
P496	CONNECTOR	W266	20-4	HARS
P497	CONNECTOR	W211	12-4	STABILATOR
P498	CONNECTOR	W102	12-4	STABILATOR
P498	CONNECTOR	W102	18-2	NAVIGATION INSTRUMENTS
P498	CONNECTOR	W102	20-4	HARS
P499	CONNECTOR	W211	2-1	AIR DATA SYSTEM (ADS)
P499	CONNECTOR	W211	12-1	DASE (BUCS DEACTIVATED)
P499	CONNECTOR	W211	12-2	DASE (BUCS ACTIVATED)
P499	CONNECTOR	W211	12-4	STABILATOR
P5 (A402)	CONNECTOR	W668	9-1	AC ELECTRICAL POWER GENERATION
P5 (A402)	CONNECTOR	W668	9-2	DC ELECTRICAL POWER GENERATION
P5 (A402)	CONNECTOR	W668	9-3	EXTERNAL POWER AND GROUND SERVICE UTILITY
P5 (A76)	CONNECTOR	W605	9-14	CONNECTOR CIRCUIT PROTECTION (DC EMERGENCY BUS - PILOT STATION)
P5 (A76)	CONNECTOR	W605	9-24	LANDING/SEARCH LIGHTS
P5 (HR7)	CONNECTOR	W605	25-1	CANOPY DEFOG AND ANTI-ICE
P5 (K1 A402)	CONNECTOR	W668	9-1	AC ELECTRICAL POWER GENERATION
P50	CONNECTOR	W102	5-1	AUXILIARY POWER UNIT (APU)

WIRING DIAGRAM DIRECTORY (cont)

WIRING DIAGRAM DIRECTORY (cont)

REFDES	COMPONENT	CABLE	PARAGRAPH	WIRING DIAGRAM
P50	CONNECTOR	W102	9-18	CAUTION AND WARNING
P50 SP1	SPLICE	W102	5-1	AUXILIARY POWER UNIT (APU)
P50 SP2	SPLICE	W102	5-1	AUXILIARY POWER UNIT (APU)
P50 SP3	SPLICE	W102	5-1	AUXILIARY POWER UNIT (APU)
P501	CONNECTOR	W117	3-1	AERIAL ROCKET CONTROL SYSTEM (ARCS)
P501	CONNECTOR	W117	11-1	EXTERNAL STORES CONTROL
P502	CONNECTOR	W117	3-1	AERIAL ROCKET CONTROL SYSTEM (ARCS)
P502	CONNECTOR	W117	11-1	EXTERNAL STORES CONTROL
P502	CONNECTOR	W117	14-1	HELLFIRE MISSILE
P503	CONNECTOR	W117	9-19	EDGE LIGHTS
P503	CONNECTOR	W117	11-2	EXTERNAL STORES JETTISON
P504	CONNECTOR	W117	3-1	AERIAL ROCKET CONTROL SYSTEM (ARCS)
P504	CONNECTOR	W117	9-19	EDGE LIGHTS
P504 SP1	SPLICE	W117	3-1	AERIAL ROCKET CONTROL SYSTEM (ARCS)
P505	CONNECTOR	W601	3-1	AERIAL ROCKET CONTROL SYSTEM (ARCS)
P505	CONNECTOR	W601	11-1	EXTERNAL STORES CONTROL
P505	CONNECTOR	W601	14-1	HELLFIRE MISSILE
P505 (A333)	CONNECTOR	W601	11-2	EXTERNAL STORES JETTISON

REFDES	COMPONENT	CABLE	PARAGRAPH	WIRING DIAGRAM
P505 (A333)	CONNECTOR	W601	13-1	AUXILIARY FUEL
P506	CONNECTOR	W601	11-1	EXTERNAL STORE CONTROL
P507	CONNECTOR	W601	11-1	EXTERNAL STORES CONTROL
P508	CONNECTOR	W601	14-1	HELLFIRE MISSILE
P508	CONNECTOR	W601	19-1	MULTIPLEX
P51	CONNECTOR	W102	5-1	AUXILIARY POWER UNIT (APU)
P510	CONNECTOR	W601	3-1	AERIAL ROCKET CONTROL SYSTEM (ARCS)
P510 SP1	SPLICE	W601	3-1	AERIAL ROCKET CONTROL SYSTEM (ARCS)
P511	CONNECTOR	W601	14-1	HELLFIRE MISSILE
P511	CONNECTOR	W601	19-1	MULTIPLEX
P511 SP1	SPLICE	W601	14-1	HELLFIRE MISSILE
P511 SP2	SPLICE	W601	14-1	HELLFIRE MISSILE
P511 SP3	SPLICE	W601	14-1	HELLFIRE MISSILE
P511 SP4	SPLICE	W601	14-1	HELLFIRE MISSILE
P511 SP5	SPLICE	W601	14-1	HELLFIRE MISSILE
P511 SP6	SPLICE	W601	14-1	HELLFIRE MISSILE
P511 SP7	SPLICE	W601	14-1	HELLFIRE MISSILE
P512	CONNECTOR	W601	3-1	AERIAL ROCKET CONTROL SYSTEM (ARCS)
P513	CONNECTOR	W601	3-1	AERIAL ROCKET CONTROL SYSTEM (ARCS)
P516	CONNECTOR	W601	3-1	AERIAL ROCKET CONTROL SYSTEM (ARCS)
P516	CONNECTOR	W601	11-1	EXTERNAL STORES CONTROL

WIRING DIAGRAM DIRECTORY (cont)

REFDES	COMPONENT	CABLE	PARAGRAPH	WIRING DIAGRAM
P516	CONNECTOR	W601	14-1	HELLFIRE MISSILE
P516	CONNECTOR	W601	19-1	MULTIPLEX
P518	CONNECTOR	W116	4-1	AREA WEAPON SYSTEM (AWS)
P518	CONNECTOR	W116	22-1	PNVS
P519	CONNECTOR	W116	4-1	AREA WEAPON SYSTEM (AWS)
P52	CONNECTOR	W268	5-1	AUXILIARY POWER UNIT (APU)
P52 SP1	SPLICE	W268	5-1	AUXILIARY POWER UNIT (APU)
P520	CONNECTOR	W116	4-1	AREA WEAPON SYSTEM (AWS)
P520 SP1	SPLICE	W116	4-1	AREA WEAPON SYSTEM (AWS)
P520 SP2	SPLICE	W116	4-1	AREA WEAPON SYSTEM (AWS)
P520 SP3	SPLICE	W116	4-1	AREA WEAPON SYSTEM (AWS)
P520 SP4	SPLICE	W116	4-1	AREA WEAPON SYSTEM (AWS)
P522	CONNECTOR	W116	22-1	PNVS
P523	CONNECTOR	W117	19-1	MULTIPLEX
P523	CONNECTOR	W117	20-4	HARS
P523	CONNECTOR	W117	24-1	TADS
P524	CONNECTOR	W116	8-1	DRIVE SYSTEM
P524	CONNECTOR	W116	9-18	CAUTION AND WARNING
P525	CONNECTOR	W601	3-1	AERIAL ROCKET CONTROL SYSTEM (ARCS)
P525 SP1	SPLICE	W601	3-1	AERIAL ROCKET CONTROL SYSTEM (ARCS)

WIRING DIAGRAM DIRECTORY (cont)

REFDES	COMPONENT	CABLE	PARAGRAPH	WIRING DIAGRAM
P526 (A510)	CONNECTOR	W636	4-1	AREA WEAPON SYSTEM (AWS)
P527	CONNECTOR	W119	9-19	EDGE LIGHTS
P527	CONNECTOR	W119	15-1	HYDRAULIC
P527	CONNECTOR	W119	25-3	ROTOR BLADES DE-ICE
P528	CONNECTOR	W118	9-19	EDGE LIGHTS
P528	CONNECTOR	W118	20-4	HARS
P529	CONNECTOR	W117	4-1	AREA WEAPON SYSTEM (AWS)
P529 SP1	SPLICE	W117	4-1	AREA WEAPON SYSTEM (AWS)
P529 SP2	SPLICE	W117	4-1	AREA WEAPON SYSTEM (AWS)
P529 SP3	SPLICE	W117	4-1	AREA WEAPON SYSTEM (AWS)
P529 SP4	SPLICE	W117	4-1	AREA WEAPON SYSTEM (AWS)
P531	CONNECTOR	W116	4-1	AREA WEAPON SYSTEM (AWS)
P531 SP1	SPLICE	W116	4-1	AREA WEAPON SYSTEM (AWS)
P531 SP2	SPLICE	W116	4-1	AREA WEAPON SYSTEM (AWS)
P531 SP3	SPLICE	W116	4-1	AREA WEAPON SYSTEM (AWS)
P531 SP4	SPLICE	W116	4-1	AREA WEAPON SYSTEM (AWS)
P532	CONNECTOR	W116	4-1	AREA WEAPON SYSTEM (AWS)
P532 SP1	SPLICE	W116	4-1	AREA WEAPON SYSTEM (AWS)
P532 SP2	SPLICE	W116	4-1	AREA WEAPON SYSTEM (AWS)

WIRING DIAGRAM DIRECTORY (cont)

REFDES	COMPONENT	CABLE	PARAGRAPH	WIRING DIAGRAM
P533	CONNECTOR	W119	17-1	IHADSS
P533	CONNECTOR	W119	19-1	MULTIPLEX
P533	CONNECTOR	W119	25-7	TADS/PNVS ANTI-ICE CONTROLS
P533	CONNECTOR	W119	26-2	VIDEO DISPLAY UNIT (VDU) AND VIDEO RECORDER
P537	CONNECTOR	W117	24-1	TADS
P538	CONNECTOR	W117	9-19	EDGE LIGHTS
P538	CONNECTOR	W117	14-1	HELLFIRE MISSILE
P538	CONNECTOR	W117	19-1	MULTIPLEX
P539	CONNECTOR	W255	9-19	EDGE LIGHTS
P539	CONNECTOR	W255	14-1	HELLFIRE MISSILE
P539	CONNECTOR	W255	19-1	MULTIPLEX
P54	CONNECTOR	W211	23-1	POWER PLANTS
P540	CONNECTOR	W255	9-19	EDGE LIGHTS
P540	CONNECTOR	W255	14-1	HELLFIRE MISSILE
P540	CONNECTOR	W255	19-1	MULTIPLEX
P541	CONNECTOR	W211	26-2	VIDEO DISPLAY UNIT (VDU) AND VIDEO RECORDER
P542	CONNECTOR	W211	26-2	VIDEO DISPLAY UNIT (VDU) AND VIDEO RECORDER
P543	CONNECTOR	W266	26-2	VIDEO DISPLAY UNIT (VDU) AND VIDEO RECORDER
P543	CONNECTOR	W266	26-1	SYMBOL GENERATOR
P543 SP1	SPLICE	W266	26-2	VIDEO DISPLAY UNIT (VDU) AND VIDEO RECORDER

WIRING DIAGRAM DIRECTORY (cont)

REFDES	COMPONENT	CABLE	PARAGRAPH	WIRING DIAGRAM
P543 SP2	SPLICE	W266	26-2	VIDEO DISPLAY UNIT (VDU) AND VIDEO RECORDER
P544	CONNECTOR	W255	9-19	EDGE LIGHTS
P544	CONNECTOR	W255	22-1	PNVS
P544	CONNECTOR	W255	24-1	TADS
P544	CONNECTOR	W255	26-2	VIDEO DISPLAY UNIT (VDU) AND VIDEO RECORDER
P544 SP1	SPLICE	W255	26-2	VIDEO DISPLAY UNIT (VDU) AND VIDEO RECORDER
P544 SP2	SPLICE	W255	26-2	VIDEO DISPLAY UNIT (VDU) AND VIDEO RECORDER
P55	CONNECTOR	W118	9-18	CAUTION AND WARNING
P550	CONNECTOR	W116	14-1	HELLFIRE MISSILE
P551	CONNECTOR	W116	14-1	HELLFIRE MISSILE
P551 SP1	SPLICE	W116	14-1	HELLFIRE MISSILE
P552	CONNECTOR	W116	14-1	HELLFIRE MISSILE
P552	CONNECTOR	W116	19-1	MULTIPLEX
P553	CONNECTOR	W116	14-1	HELLFIRE MISSILE
P553	CONNECTOR	W116	19-1	MULTIPLEX
P555	CONNECTOR	W116	14-1	HELLFIRE MISSILE
P555 SP1	SPLICE	W116	14-1	HELLFIRE MISSILE
P558	CONNECTOR	W116	14-1	HELLFIRE MISSILE
P56	CONNECTOR	W118	9-18	CAUTION AND WARNING
P57	CONNECTOR	W118	9-18	CAUTION AND WARNING
P57 SP1	SPLICE	W118	9-18	CAUTION AND WARNING

WIRING DIAGRAM DIRECTORY (cont)

REFDES	COMPONENT	CABLE	PARAGRAPH	WIRING DIAGRAM
P57 SP2	SPLICE	W118	9-18	CAUTION AND WARNING
P570	CONNECTOR	W211	2-1	AIR DATA SYSTEM (ADS)
P571	CONNECTOR	W102	2-1	AIR DATA SYSTEM (ADS)
P572	CONNECTOR	W109	2-1	AIR DATA SYSTEM (ADS)
P578	CONNECTOR	W167	8-1	DRIVE SYSTEM
P579	CONNECTOR	W159	8-1	DRIVE SYSTEM
P58	CONNECTOR	W171	9-18	CAUTION AND WARNING
P581	CONNECTOR	W116	4-1	AREA WEAPON SYSTEM (AWS)
P586	CONNECTOR	W157	3-1	AERIAL ROCKET CONTROL SYSTEM (ARCS)
P586	CONNECTOR	W157	6-1	INTERCOMMUNICATION
P586	CONNECTOR	W157	11-1	EXTERNAL STORES CONTROL
P586	CONNECTOR	W157	14-1	HELLFIRE MISSILE
P586	CONNECTOR	W157	19-1	MULTIPLEX
P587	CONNECTOR	W157	11-2	EXTERNAL STORES JETTISON
P587	CONNECTOR	W157	13-1	AUXILIARY FUEL
P587	CONNECTOR	W157	14-1	HELLFIRE MISSILE
P587 SP1	SPLICE	W157	14-1	HELLFIRE MISSILE
P587 SP2	SPLICE	W157	14-1	HELLFIRE MISSILE
P587 SP3	SPLICE	W157	14-1	HELLFIRE MISSILE
P587 SP4	SPLICE	W157	14-1	HELLFIRE MISSILE
P588	CONNECTOR	W158	3-1	AERIAL ROCKET CONTROL SYSTEM (ARCS)
P588	CONNECTOR	W158	6-1	INTERCOMMUNICATION
P588	CONNECTOR	W158	11-1	EXTERNAL STORES CONTROL

WIRING DIAGRAM DIRECTORY (cont)

REFDES	COMPONENT	CABLE	PARAGRAPH	WIRING DIAGRAM
P588	CONNECTOR	W158	14-1	HELLFIRE MISSILE
P588	CONNECTOR	W158	19-1	MULTIPLEX
P589	CONNECTOR	W158	11-2	EXTERNAL STORES JETTISON
P589	CONNECTOR	W158	13-1	AUXILIARY FUEL
P589	CONNECTOR	W158	14-1	HELLFIRE MISSILE
P589 SP1	SPLICE	W158	14-1	HELLFIRE MISSILE
P589 SP2	SPLICE	W158	14-1	HELLFIRE MISSILE
P589 SP3	SPLICE	W158	14-1	HELLFIRE MISSILE
P589 SP4	SPLICE	W158	14-1	HELLFIRE MISSILE
P59	CONNECTOR	W171	9-18	CAUTION AND WARNING
P591	CONNECTOR	W266	6-1	INTERCOMMUNICATION
P592	CONNECTOR	W266	6-1	INTERCOMMUNICATION
P596	CONNECTOR	W255	19-1	MULTIPLEX
P596	CONNECTOR	W255	26-2	VIDEO DISPLAY UNIT (VDU) AND VIDEO RECORDER
P599 (A510)	CONNECTOR	W636	4-1	AREA WEAPON SYSTEM (AWS)
P6	CONNECTOR	APU	5-1	AUXILIARY POWER UNIT (APU)
P6	CONNECTOR	W668	9-2	DC ELECTRICAL POWER GENERATION
P6 (HR7)	CONNECTOR		25-1	CANOPY DEFOG AND ANTI-ICE
P60	CONNECTOR	W162	8-1	DRIVE SYSTEM
P60	CONNECTOR	W162	9-18	CAUTION AND WARNING
P61	CONNECTOR	W161	8-1	DRIVE SYSTEM
P61	CONNECTOR	W161	9-18	CAUTION AND WARNING

WIRING DIAGRAM DIRECTORY (cont)

<u>REFDES</u>	<u>COMPONENT</u>	<u>CABLE</u>	<u>PARAGRAPH</u>	<u>WIRING DIAGRAM</u>
P62	CONNECTOR	W119	25-6	FIRE DETECTION AND EXTINGUISHER
P620	CONNECTOR	W116	19-1	MULTIPLEX
P621	CONNECTOR	W116	19-1	MULTIPLEX
P621 SP1 (ADD)	CONNECTOR	W116	19-1	MULTIPLEX
P621 SP2 (ADD)	CONNECTOR	W116	19-1	MULTIPLEX
P621 SP3 (ADD)	CONNECTOR	W116	19-1	MULTIPLEX
P623	CONNECTOR	W116	19-1	MULTIPLEX
P63	CONNECTOR	W102	25-6	FIRE DETECTION AND EXTINGUISHING
P631	CONNECTOR	W255	22-1	PNVS
P631	CONNECTOR	W255	24-1	TADS
P631	CONNECTOR	W255	26-1	SYMBOL GENERATOR
P631	CONNECTOR	W255	26-2	VIDEO DISPLAY UNIT (VDU) AND VIDEO RECORDER
P632	CONNECTOR	W117	17-1	IHADSS
P632	CONNECTOR	W117	19-1	MULTIPLEX
P632	CONNECTOR	W117	26-1	SYMBOL GENERATOR
P632 SP1	SPLICE	W117	26-1	SYMBOL GENERATOR
P639	CONNECTOR	W117	19-1	MULTIPLEX
P64	CONNECTOR	W119	23-1	POWER PLANTS
P640	CONNECTOR	W116	19-1	MULTIPLEX
P641	CONNECTOR	W117	19-1	MULTIPLEX
P642	CONNECTOR	W116	19-1	MULTIPLEX
P643	CONNECTOR	W117	19-1	MULTIPLEX
P644	CONNECTOR	W116	19-1	MULTIPLEX
P645	CONNECTOR	W117	19-1	MULTIPLEX
P646	CONNECTOR	W116	19-1	MULTIPLEX
P647	CONNECTOR	W117	19-1	MULTIPLEX

WIRING DIAGRAM DIRECTORY (cont)

<u>REFDES</u>	<u>COMPONENT</u>	<u>CABLE</u>	<u>PARAGRAPH</u>	<u>WIRING DIAGRAM</u>
P648	CONNECTOR	W116	19-1	MULTIPLEX
P649	CONNECTOR	W117	191	MULTIPLEX
P65	CONNECTOR	W261	9-19	EDGE LIGHTS
P65	CONNECTOR	W261	18-1	ENGINE INSTRUMENTS
P650	CONNECTOR	W116	19-1	MULTIPLEX
P653	CONNECTOR	W117	19-1	MULTIPLEX
P654	CONNECTOR	W116	19-1	MULTIPLEX
P655	CONNECTOR	W117	19-1	MULTIPLEX
P656	CONNECTOR	W116	19-1	MULTIPLEX
P657	CONNECTOR	W117	19-1	MULTIPLEX
P658	CONNECTOR	W116	19-1	MULTIPLEX
P659	CONNECTOR	W117	19-1	MULTIPLEX
P66	CONNECTOR	W261	9-19	EDGE LIGHTS
P66	CONNECTOR	W261	18-1	ENGINE INSTRUMENTS
P660	CONNECTOR	W116	19-1	MULTIPLEX
P663	CONNECTOR	W211	19-1	MULTIPLEX
P664	CONNECTOR	W211	19-1	MULTIPLEX
P668	CONNECTOR	W255	3-1	AERIAL ROCKET CONTROL SYSTEM (ARCS)
P668	CONNECTOR	W25	54-1	AREA WEAPON SYSTEM (AWS)
P668	CONNECTOR	W255	9-18	CAUTION AND WARNING
P668	CONNECTOR	W255	14-1	HELLFIRE MISSILE
P668	CONNECTOR	W255	17-1	IHADSS
P668	CONNECTOR	W255	18-2	NAVIGATION INSTRUMENTS
P668	CONNECTOR	W255	19-1	MULTIPLEX

WIRING DIAGRAM DIRECTORY (cont)

<u>REFDES</u>	<u>COMPONENT</u>	<u>CABLE</u>	<u>PARAGRAPH</u>	<u>WIRING DIAGRAM</u>
P668	CONNECTOR	W255	20-2	DOPPLER NAVIGATION AN/ASN-128
P668	CONNECTOR	W255	20-3	DOPPLER NAVIGATION AN/ASN-137 (ADC)
P668	CONNECTOR	W255	20-3A	DOPPLER NAVIGATION AN/ASN-137 (ADD)
P668	CONNECTOR	W255	20-4	HARS
P668	CONNECTOR	W255	24-1	TADS
P668 SP1	SPLICE	W255	24-1	TADS
P668 SP2	SPLICE	W255	24-1	TADS
P668 SP3	SPLICE	W255	24-1	TADS
P668 SP4	SPLICE	W255	17-1	IHADSS
P668 SP4	SPLICE	W255	24-1	TADS
P668 SP5	SPLICE	W255	24-1	TADS
P668 SP6	SPLICE	W255	3-1	AERIAL ROCKET CONTROL SYSTEM (ARCS)
P668 SP6	SPLICE		4-1	AREA WEAPON SYSTEM (AWS)
P668 SP6	SPLICE	W255	14-1	HELLFIRE MISSILE
P668 SP6	SPLICE	W255	24-1	TADS
P67	CONNECTOR	W261	9-19	EDGE LIGHTS
P67	CONNECTOR	W261	18-1	ENGINE INSTRUMENTS
P670	CONNECTOR	W255	3-1	AERIAL R6(CKET CONTROL SYSTEM (ARCS)
P670	CONNECTOR	W255	4-1	AREA WEAPON SYSTEM (AWS)
P670	CONNECTOR	W255	14-1	HELLFIRE MISSILE
P670	CONNECTOR	W255	17-1	IHADSS
P670	CONNECTOR	W255	19-1	MULTIPLEX
P670	CONNECTOR	W255	22-1	PNVS
P670	CONNECTOR	W255	24-1	TADS

WIRING DIAGRAM DIRECTORY (cont)

<u>REFDES</u>	<u>COMPONENT</u>	<u>CABLE</u>	<u>PARAGRAPH</u>	<u>WIRING DIAGRAM</u>
P670	CONNECTOR	W255	25-7	TADS/PNVS ANTI-ICE CONTROLS
P670	CONNECTOR	W255	26-2	VIDEO DISPLAY UNIT (VDU) (AND VIDEO RECORDER
P670 SP1	SPLICE	W255	22-1	PNVS
P670 SPI	SPLICE	W255	24-1	TADS
P670 SP2	SPLICE	W255	19-1	MULTIPLEX
P670 SP3	SPLICE	W255	17-1	IHADSS
P670 SP3	SPLICE	W255	19-1	MULTIPLEX
P670 SP4	SPLICE	W255	14-1	HELLFIRE MISSILE
P670 SP4	SPLICE	W255	19-1	MULTIPLEX
P670 SP5	SPLICE	W255	14-1	HELLFIRE MISSILE
P670 SP5	SPLICE	W255	19-1	MULTIPLEX
P670 SP7	SPLICE	W255	17-1	IHADSS
P670 SP7	SPLICE	W255	19-1	MULTIPLEX
P670 SP8	SPLICE	W255	22-1	PNVS
P670 SP8	SPLICE	W255	24-1	TADS
P670 SP8	SPLICE	W255	26-2	VIDEO DISPLAY LUNIT (VDU) AND VIDEO RECORDER
P671	CONNECTOR	W116	9-1	AC ELECTRICAL POWER GENERATION
P671	CONNECTOR	W116	11-2	EXTERNAL STORES
P671	CONNECTOR	W116		JETTISON
P671	CONNECTOR	W116	17-1	IHADSS
P671	CONNECTOR	W116	191	MULTIPLEX
P671	CONNECTOR	W116	20-4	HARS

WIRING DIAGRAM DIRECTORY (cont)

WIRING DIAGRAM DIRECTORY (cont)

REFDES	COMPONENT	CABLE	PARAGRAPH	WIRING DIAGRAM
P671	CONNECTOR	W116	20-5	RADAR ALTIMETER (RADALT) SET
P671 SP1	SPLICE	W116	17-1	IHADSS
P672	CONNECTOR	W116	4-1	AREA WEAPON SYSTEM (AWS)
P672	CONNECTOR	W116	8-1	DRIVE SYSTEM
P672	CONNECTOR	W116	9-18	CAUTION AND WARNING
P672	CONNECTOR	W116	17-1	IHADSS
P672	CONNECTOR	W116	19-1	MULTIPLEX
P672	CONNECTOR	W116	22-1	PNVS
P672 SP1	SPLICE	W116	19-1	MULTIPLEX
P672 SP2	SPLICE	W116	19-1	MULTIPLEX
P673	CONNECTOR	W117	4-1	AREA WEAPON SYSTEM (AWS)
P673	CONNECTOR	W117	8-1	DRIVE SYSTEM
P673	CONNECTOR	W117	11-1	EXTERNAL STORES CONTROL
P673	CONNECTOR	W117	17-1	IHADSS
P673	CONNECTOR	W117	19-1	MULTIPLEX
P673	CONNECTOR	W117	24-1	TADS
P673	CONNECTOR	W117	25-3	ROTOR BLADES DE-ICE
P673	CONNECTOR	W117	26-1	SYMBOL GENERATOR
P673 SP1	SPLICE	W117	19-1	MULTIPLEX
P673 SP2	SPLICE	W117	24-1	TADS
P674	CONNECTOR	W117	3-1	AERIAL ROCKET CONTROL SYSTEM (ARCS)
P674	CONNECTOR	W117	4-1	AREA WEAPON SYSTEM (AWS)

REFDES	COMPONENT	CABLE	PARAGRAPH	WIRING DIAGRAM
P674	CONNECTOR	W117	11-1	EXTERNAL STORES CONTROL
P674	CONNECTOR	W117	14-1	HELLFIRE MISSILE
P674	CONNECTOR	W117	19-1	MULTIPLEX
P674	CONNECTOR	W117	20-4	HARS
P674	CONNECTOR	W117	26-1	SYMBOL GENERATOR
P674 SP1	SPLICE	W117	14-1	HELLFIRE MISSILE
P674 SP1	SPLICE	W117	19-1	MULTIPLEX
P674 SP2	SPLICE	W117	19-1	MULTIPLEX
P674 SP3	SPLICE	W117	19-1	MULTIPLEX
P674 SP4	SPLICE	W117	14-1	HELLFIRE MISSILE
P674 SP4	SPLICE	W117	19-1	MULTIPLEX
P674 SP5	SPLICE	W117	19-1	MULTIPLEX
P674 SP6	SPLICE	W117	3-1	AERIAL ROCKET CONTROL SYSTEM (ARCS)
P674 SP6	SPLICE	W117	11-1	EXTERNAL STORES CONTROL
P674 SP6	SPLICE	W117	19-1	MULTIPLEX
P679	CONNECTOR	W116	3-1	AERIAL ROCKET CONTROL SYSTEM (ARCS)
P679	CONNECTOR	W116	4-1	AREA WEAPON SYSTEM (AWS)
P679	CONNECTOR	W116	14-1	HELLFIRE MISSILE
P679	CONNECTOR	W116	17-1	IHADSS
P679	CONNECTOR	W116	20-5	RADAR ALTIMETER (RADALT) SET
P679 SP1	SPLICE	W116	4-1	AREA WEAPON SYSTEM (AWS)
P679 SP2	SPLICE	W116	4-1	AREA WEAPON SYSTEM (AWS)

WIRING DIAGRAM DIRECTORY (cont)

<u>REFDES</u>	<u>COMPONENT</u>	<u>CABLE</u>	<u>PARAGRAPH</u>	<u>WIRING DIAGRAM</u>
P68	CONNECTOR	W261	9-19	EDGE LIGHTS
P68	CONNECTOR	W261	18-1	ENGINE INSTRUMENTS
P680	CONNECTOR	W116	3-1	AERIAL ROCKET CONTROL SYSTEM (ARCS)
P680	CONNECTOR	W116	4-1	AREA WEAPON SYSTEM (AWS)
P680	CONNECTOR	W116	11-1	EXTERNAL STORES CONTROL
P680	CONNECTOR	W116	14-1	HELLFIRE MISSILE
P680	CONNECTOR	W116	17-1	IHADSS
P680	CONNECTOR	W116	19-1	MULTIPLEX
P680	CONNECTOR	W116	20-5	RADAR ALTIMETER (RADALT) SET
P680	CONNECTOR	W116	22-1	PNVS
P680 SP1	SPLICE	W116	4-1	AREA WEAPON SYSTEM (AWS)
P680 SP1	SPLICE	W116	22-1	PNVS
P680 SP2	SPLICE	W116	14-1	HELLFIRE MISSILE
P680 SP2	SPLICE	W116	20-5	RADAR ALTIMETER (RADALT) SET
P680 SP3	SPLICE	W116	11-1	EXTERNAL STORES CONTROL
P680 SP3	SPLICE	W116	14-1	HELLFIRE MISSILE
P681	CONNECTOR	W255	3-1	AERIAL ROCKET CONTROL SYSTEM (ARCS)
P681	CONNECTOR	W255	4-1	AREA WEAPON SYSTEM (AWS)
P681	CONNECTOR	W255	14-1	HELLFIRE MISSILE
P681	CONNECTOR	W255	17-1	IHADSS
P681	CONNECTOR	W255	19-1	MULTIPLEX

WIRING DIAGRAM DIRECTORY (cont)

<u>REFDES</u>	<u>COMPONENT</u>	<u>CABLE</u>	<u>PARAGRAPH</u>	<u>WIRING DIAGRAM</u>
P681	CONNECTOR	W255	24-1	TADS
P681	CONNECTOR	W255	26-2	VIDEO DISPLAY UNIT (VDU) AND VIDEO RECORDER
P681 EC1 (ACT)	END CAP	W255	3-1	AERIAL ROCKET CONTROL SYSTEM (ARCS)
P681 EC1 (ACT)	END CAP	W255	4-1	AREA WEAPON SYSTEM (AWS)
P681 SP1	SPLICE	W255	24-1	TADS
P681 SP2	SPLICE	W255	24-1	TADS
P681 SP3	SPLICE	W255	3-1	AERIAL ROCKET CONTROL SYSTEM (ARCS)
P681 SP3	SPLICE	W255	4-1	AREA WEAPON SYSTEM (AWS)
P681 SP3	SPLICE	W255	14-1	HELLFIRE MISSILE
P681 SP4	SPLICE	W255	3-1	AERIAL ROCKET CONTROL SYSTEM (ARCS)
P681 SP4	SPLICE	W255	4-1	AREA WEAPON SYSTEM (AWS)
P681 SP4	SPLICE	W255	14-1	HELLFIRE MISSILE
P682	CONNECTOR	W211	8-1	DRIVE SYSTEM
P682	CONNECTOR	W211	12-1	DASE (BUCS DEACTIVATED)
P682	CONNECTOR	W211	12-2	DASE (BUCS ACTIVATED)
P682	CONNECTOR	W211	12-4	STABILATOR
P682	CONNECTOR	W211	18-1	ENGINE INSTRUMENTS
P682	CONNECTOR	W211	19-1	MULTIPLEX
P682	CONNECTOR	W211	20-4	HARS
P682 SP3	SPLICE	W211	12-4	STABILATOR
P682 SP4	SPLICE	W211	12-1	DASE (BUCS DEACTIVATED)
P682 SP4	SPLICE	W211	12-2	DASE (BUCS ACTIVATED)
P682 SP5	SPLICE	W211	12-1	DASE (BUCS DEACTIVATED)

WIRING DIAGRAM DIRECTORY (cont)

REFDES	COMPONENT	CABLE PARAGRAPH		WIRING DIAGRAM
P682 SP5	SPLICE	W211	12-2	DASE (BUCS ACTIVATED)
P683	CONNECTOR	W211	2-1	AIR DATA SYSTEM (ADS)
P683	CONNECTOR	W211	5-1	AUXILIARY POWER UNIT (APU)
P683	CONNECTOR	W211	9-18	CAUTION AND WARNING
P683	CONNECTOR	W211	12-1	DASE (BUCS DEACTIVATED)
P683	CONNECTOR	W211	12-2	DASE (BUCS ACTIVATED)
P683	CONNECTOR	W211	19-1	MULTIPLEX
P683	CONNECTOR	W211	24-1	TADS
P684	CONNECTOR	W117	4-1	AREA WEAPON SYSTEM (AWS)
P684	CONNECTOR	W117	14-1	HELLFIRE MISSILE
P684	CONNECTOR	W117	17-1	IHADSS
P684	CONNECTOR	W117	19-1	MULTIPLEX
P684 SP1	SPLICE	W117	14-1	HELLFIRE MISSILE
P684 SP1	SPLICE	W117	19-1	MULTIPLEX
P684 SP2	SPLICE	W117	19-1	MULTIPLEX
P684 SP3	SPLICE	W117	14-1	HELLFIRE MISSILE
P684 SP3	SPLICE	W117	19-1	MULTIPLEX
P684 SP4	SPLICE	W117	14-1	HELLFIRE MISSILE
P684 SP4	SPLICE	W117	17-1	IHADSS
P684 SP4	SPLICE	W117	19-1	MULTIPLEX
P684 SP5	SPLICE	W117	19-1	MULTIPLEX
P684 SP6	SPLICE	W117	17-1	IHADSS
P684 SP6	SPLICE	W117	19-1	MULTIPLEX
P685	CONNECTOR	W117	11-1	EXTERNAL STORES CONTROL

WIRING DIAGRAM DIRECTORY (cont)

REFDES	COMPONENT	CABLE	PARAGRAPH	WIRING DIAGRAM
P685	CONNECTOR	W117	17-1	IHADSS
P685	CONNECTOR	W117	19-1	MULTIPLEX
P685	CONNECTOR	W117	24-1	TADS
P685	CONNECTOR	W117	25-1	CANOPY DEFOG AND ANTI-ICE
P685	CONNECTOR	W117	25-7	TADS/PNVS ANTI-ICE CONTROLS
P685 SP1	SPLICE	W117	24-1	TADS
P685 SP3	SPLICE	W117	19-1	MULTIPLEX
P685 SP4	SPLICE	W117	17-1	IHADSS
P686	CONNECTOR	W211	2-1	AIR DATA SYSTEM (ADS)
P686	CONNECTOR	W211	12-1	DASE (BUCS DEACTIVATED)
P686	CONNECTOR	W211	12-2	DASE (BUCS ACTIVATED)
P686	CONNECTOR	W211	12-3	FORCE TRIM
P686	CONNECTOR	W211	12-4	STABILATOR
P686	CONNECTOR	W211	20-4	HARS
P686	CONNECTOR	W211	26-2	VIDEO DISPLAY UNIT (VDU) AND VIDEO RECORDER
P686 SP1	SPLICE	W211	12-2	DASE (BUCS ACTIVATED)
P688	CONNECTOR	W211	2-1	AIR DATA SYSTEM (ADS)
P688	CONNECTOR	W211	5-1	AUXILIARY POWER UNIT (APU)
P688	CONNECTOR	W211	12-1	DASE (BUCS DEACTIVATED)
P688	CONNECTOR	W211	12-2	DASE (BUCS ACTIVATED)
P688	CONNECTOR	W211	12-4	STABILATOR
P688	CONNECTOR	W211	20-4	HARS

WIRING DIAGRAM DIRECTORY (cont)

REFDES	COMPONENT	CABLE	PARAGRAPH	WIRING DIAGRAM
P688	CONNECTOR	W211	26-2	VIDEO DISPLAY UNIT (VDU) AND VIDEO RECORDER
P688	CONNECTOR	W211	25-3	ROTOR BLADES DE-ICE
P688 SP1	SPLICE	W211	12-2	DASE (BUCS ACTIVATED)
P690	CONNECTOR	W119	25-3	ROTOR BLADES DE-ICE
P691	CONNECTOR	W119	25-3	ROTOR BLADES DE-ICE
P692	CONNECTOR	W211	12-2	DASE (BUCS ACTIVATED)
P693	CONNECTOR	W211	12-2	DASE (BUCS ACTIVATED)
P693 SP1	SPLICE	W211	12-2	DASE (BUCS ACTIVATED)
P694	CONNECTOR	W211	12-2	DASE (BUCS ACTIVATED)
P699	CONNECTOR	W255	9-18	CAUTION AND WARNING
P699	CONNECTOR	W255	19-1	MULTIPLEX
P699	CONNECTOR	W255	22-1	PNVS
P699	CONNECTOR	W255	24-1	TADS
P699 SP1	SPLICE	W255	19-1	MULTIPLEX
P7	CONNECTOR	APU	5-1	AUXILIARY POWER UNIT (APU)
P7 (A402)	CONNECTOR	W668	9-1	AC ELECTRICAL POWER GENERATION
P70	CONNECTOR	W261	9-18	CAUTION AND WARNING
P70	CONNECTOR	W261	9-19	EDGE LIGHTS
P70	CONNECTOR	W261	18-1	ENGINE INSTRUMENTS
P700	CONNECTOR	W191	21-3	RADAR WARNING SET AN/APR-39(V)1 AND AN/APR-39A(V)1
P700	CONNECTOR	W191	21-4	LASER DETECTING SET AN/AVR-2A(V)1 (ADP)
P701	CONNECTOR	W154	21-3	RADAR WARNING SET AN/APR-39(V)1 AND AN/APR-39A(V)1
P701	CONNECTOR	W154	21-4	LASER DETECTING SET AN/AVR-2A(V)1 (ADP)
P702	CONNECTOR	W154	21-3	RADAR WARNING SET AN/APR-39(V)1 AND AN/APR-39A(V)1
P702	CONNECTOR	W154	21-4	LASER DETECTING SET AN/AVR-2A(V)1 (ADP)
P703	CONNECTOR	W154	21-3	RADAR WARNING SET AN/APR-39(V)1 (ADN) AND AN/APR-39A(V)1 (ADO)

WIRING DIAGRAM DIRECTORY (cont)

REFDES	COMPONENT	CABLE	PARAGRAPH	WIRING DIAGRAM
P703	CONNECTOR	W154	21-4	LASER DETECTING SET AN/AVR-2A(V)1 (ADP)
P704	CONNECTOR	W102	21-3	RADAR WARNING SET AN/APR-39(V)1 (ADN) AND AN/APR-39A(V)1 (ADO)
P704	CONNECTOR	W102	21-4	LASER DETECTING SET AN/AVR-2A(V)1 (ADP)
P705	CONNECTOR	W191	21-3	RADAR WARNING SET AN/APR-39(V)1 (ADN) AND AN/APR-39A(V)1 (ADO)
P705	CONNECTOR	W191	21-4	LASER DETECTING SET AN/AVR-2A(V)1 (ADP)
P706	CONNECTOR	W118	21-3	RADAR WARNING SET AN/APR-39(V)1 (ADN) AND AN/APR-39A(V)1 (ADO)
P706	CONNECTOR	W118	21-4	LASER DETECTING SET AN/AVR-2A(V)1 (ADP)
P707	CONNECTOR	W118	21-3	RADAR WARNING SET AN/APR-39(V)1 (ADN) AND AN/APR-39A(V)1 (ADO)
P707	CONNECTOR	W118	21-4	LASER DETECTING SET AN/AVR-2A(V)1 (ADP)
P708	CONNECTOR	W118	21-3	RADAR WARNING SET AN/APR-39(V)1 (ADN) AND AN/APR-39A(V)1 (ADO)
P708	CONNECTOR	W118	21-4	LASER DETECTING SET AN/AVR-2A(V)1 (ADP)
P709	CONNECTOR	W178	21-3	RADAR WARNING SET AN/APR-39(V)1 (ADN) AND AN/APR-39A(V)1 (ADO)
P709	CONNECTOR	W178	21-4	LASER DETECTING SET AN/AVR-2A(V)1 (ADP)
P710	CONNECTOR	W178	21-3	RADAR WARNING SET AN/APR-39(V)1 (ADN) AND AN/APR-39A(V)1 (ADO)
P710	CONNECTOR	W178	21-4	LASER DETECTING SET AN/AVR-2A(V)1 (ADP)
P711	CONNECTOR	W177	21-3	RADAR WARNING SET AN/APR-39(V)1 (ADN) AND AN/APR-39A(V)1 (ADO)
P711	CONNECTOR	W177	21-4	LASER DETECTING SET AN/AVR-2A(V)1 (ADP)

WIRING DIAGRAM DIRECTORY (cont)

<u>REFDES</u>	<u>COMPONENT</u>	<u>CABLE</u>	<u>PARAGRAPH</u>	<u>WIRING DIAGRAM</u>
P718 SP1	SPLICE	W118	9-27	AUDIO WARNING
P718 SP1	SPLICE	W118	21-3	RADAR WARNING SET AN/APR-390(V)1
P718 SP2	SPLICE	W118	9-27	AUDIO WARNING
P718 SP2	SPLICE	W118	21-3	RADAR WARNING SET AN/APR-39(V)1
P718 SP3	SPLICE	W118	9-27	AUDIO WARNING
P718 SP3	SPLICE	W118	21-3	RADAR WARNING SET AN/APR-39(V)1
P719	CONNECTOR	W181	20-2	DOPPLER NAVIGATION AN/ASN-128
P721	CONNECTOR	W266	20-2	DOPPLER NAVIGATION AN/ASN-128
P721 SP1	SPLICE	W266	20-2	DOPPLER NAVIGATION AN/ASN-128
P721 SP2	SPLICE	W266	20-2	DOPPLER NAVIGATION AN/ASN-128
P723	CONNECTOR	W266	20-2	DOPPLER NAVIGATION AN/ASN-128
P725	CONNECTOR	W266	9-19	EDGE LIGHTS
P725	CONNECTOR	W266	20-2	DOPPLER NAVIGATION AN/ASN-128
P725 SP1	SPLICE	W266	9-19	EDGE LIGHTS
P725 SP2	SPLICE	W266	20-2	DOPPLER NAVIGATION AN/ASN-128
P725 SP3	SPLICE	W266	9-19	EDGE LIGHTS
P725 SP4	SPLICE	W266	9-19	EDGE LIGHTS
P725 SP5	SPLICE	W266	20-2	DOPPLER NAVIGATION AN/ASN-128
P73	CONNECTOR	W261	9-19	EDGE LIGHTS
P73	CONNECTOR	W261	18-1	ENGINE INSTRUMENTS

WIRING DIAGRAM DIRECTORY (cont)

<u>REFDES</u>	<u>COMPONENT</u>	<u>CABLE</u>	<u>PARAGRAPH</u>	<u>WIRING DIAGRAM</u>
P73 SP1	SPLICE	W261	18-1	ENGINE INSTRUMENTS
P733	CONNECTOR	W181	20-2	DOPPLER NAVIGATION AN/ASN-128
P74	CONNECTOR	W261	9-19	EDGE LIGHTS
P74	CONNECTOR	W261	18-1	ENGINE INSTRUMENTS
P746	CONNECTOR	W118	9-19	EDGE LIGHTS
P746	CONNECTOR	W118	15-1	HYDRAULIC
P747	CONNECTOR	W119	4-1	AREA WEAPON SYSTEM (AWS)
P747	CONNECTOR	W119	9-18	CAUTION AND WARNING
P747	CONNECTOR	W119	9-19	EDGE LIGHTS
P747	CONNECTOR	W119	25-6	FIRE DETECTION AND EXTINGUISHING
P747	CONNECTOR	W119	26-2	VIDEO DISPLAY UNIT (VDU) AND VIDEO RECORDER
P748	CONNECTOR	W119	4-1	AREA WEAPON SYSTEM (AWS)
P748	CONNECTOR	W119	7-1	CHAFF DISPENSER
P748	CONNECTOR	W119	9-18	CAUTION AND WARNING
P748	CONNECTOR	W119	9-19	EDGE LIGHTS
P748	CONNECTOR	W119	15-1	HYDRAULIC
P748	CONNECTOR	W119	21-3	RADAR WARNING SET AN/APR-39(V)1
P748	CONNECTOR	W119	23-1	POWER PLANTS
P748	CONNECTOR	W119	25-2	ENGINE ANTI-ICE
P748	CONNECTOR	W119	25-3	ROTOR BLADES DE-ICE
P748	CONNECTOR	W119	25-6	FIRE DETECTION AND EXTINGUISHING

WIRING DIAGRAM DIRECTORY (cont)

REFDES	COMPONENT	CABLE	PARAGRAPH	WIRING DIAGRAM
P748	CONNECTOR	W119	4-1	AREA WEAPON SYSTEM (AWS)
P748	CONNECTOR	W119	7-1	CHAFF DISPENSER
P748	CONNECTOR	W119	9-18	CAUTION AND WARNING
P748	CONNECTOR	W119	9-19	EDGE LIGHTS
P748	CONNECTOR	W119	15-1	HYDRAULIC
P748	CONNECTOR	W119	21-3	RADAR WARNING SET AN/APR-39(V)1 (ADN) AND AN/APR-39A(V)1 (ADO)
P748	CONNECTOR	W119	21-4	LASER DETECTING SET AN/AVR-2A(V)1 (ADP)
P748	CONNECTOR	W119	23-1	POWER PLANTS
P748	CONNECTOR	W119	25-2	ENGINE ANTI-ICE
P748	CONNECTOR	W119	25-3	ROTOR BLADES DE-ICE
P748	CONNECTOR	W119	25-6	FIRE DETECTION AND EXTINGUISHING
P75	CONNECTOR	W261	9-19	EDGE LIGHTS
P75	CONNECTOR	W261	18-1	ENGINE INSTRUMENTS
P75 SP1	SPLICE	W261	18-1	ENGINE INSTRUMENTS
P750	CONNECTOR	W118	9-19	EDGE LIGHTS
P750	CONNECTOR	W118	12-1	DASE (BUCS DEACTIVATED)
P750	CONNECTOR	W118	12-2	DASE (BUCS ACTIVATED)
P750	CONNECTOR	W118	19-1	MULTIPLEX
P750	CONNECTOR	W118	26-2	VIDEO DISPLAY UNIT (VDU) AND VIDEO RECORDER
P750 SP1	SPLICE	W118	19-1	MULTIPLEX
P750 SP1	SPLICE	W118	26-2	VIDEO DISPLAY UNIT (VDU) AND VIDEO RECORDER
P750 SP2	SPLICE	W118	9-19	EDGE LIGHTS
P750 SP2	SPLICE	W118	26-2	VIDEO DISPLAY UNIT (VDU) AND VIDEO RECORDER
P754	CONNECTOR	W170	15-1	HYDRAULIC
P755	CONNECTOR	W211	5-1	AUXILIARY POWER UNIT (APU)
P755	CONNECTOR	W211	8-1	DRIVE SYSTEM
P755	CONNECTOR	W211	9-18	CAUTION AND WARNING

WIRING DIAGRAM DIRECTORY (cont)

REFDES	COMPONENT	CABLE	PARAGRAPH	WIRING DIAGRAM
P755 SP1	SPLICE	W211	9-18	CAUTION AND WARNING
P756	CONNECTOR	W115	12-1	DASE (BUCS DEACTIVATED)
P756	CONNECTOR	W115	12-2	DASE (BUCS ACTIVATED)
P760	CONNECTOR	W170	15-1	HYDRAULIC
F760 SP1	SPLICE	W170	15-1	HYDRAULIC
P761	CONNECTOR	W255	9-6	CIRCUIT PROTECTION (AC ESSENTIAL BUS 1-CPG STATION)
P761	CONNECTOR	W255	9-10	CIRCUIT PROTECTION (DC ESSENTIAL BUS 1-CPG STATION)
P761	CONNECTOR	W255	24-1	TADS
P761 SP1	SPLICE	W255	24-1	TADS
P761 SP2	SPLICE	W255	24-1	TADS
P761 SP3	SPLICE	W255	24-1	TADS
P761 SP4	SPLICE	W255	24-1	TADS
P762	CONNECTOR	W119	2-1	AIR DATA SYSTEM (ADS)
P762	CONNECTOR	W119	9-19	EDGE LIGHTS
P762	CONNECTOR	W119	10-1	ENVIRONMENTAL CONTROL SYSTEM (ECS)
P762	CONNECTOR	W119	19-1	MULTIPLEX
P762	CONNECTOR	W119	25-5	WINDSHIELD WIPERS
P762	CONNECTOR	W119	25-7	TADS/PNVS ANTI-ICE CONTROLS
P763	CONNECTOR	W145	9-6	CIRCUIT PROTECTION (AC ESSENTIAL BUS 1-CPG STATION)
P763	CONNECTOR	W145	9-10	CIRCUIT PROTECTION (DC ESSENTIAL BUS 1-CPG STATION)
P766	CONNECTOR	W119	6-1	INTERCOMMUNICATION
P766	CONNECTOR	W119	6-4	VHF AM-FM RADIO SET AN/ARC-186 (ADH)
P766	CONNECTOR	W119	6-5	VHF AM-FM RADIO SET AN/ARC-186 AND AN/ARC-201A (ADI)
P766	CONNECTOR	W119	8-1	DRIVE SYSTEM
P766	CONNECTOR	W119	9-6	CIRCUIT PROTECTION (AC ESSENTIAL BUS 1-CPG STATION)

WIRING DIAGRAM DIRECTORY (cont)

REFDES	COMPONENT	CABLE	PARAGRAPH	WIRING DIAGRAM
P766	CONNECTOR	W119	9-8	CIRCUIT PROTECTION (AC ESSENTIAL BUS 2 - CPG STATION)
P766	CONNECTOR	W119	9-15	CIRCUIT PROTECTION (DC EMERGENCY BUS - CPG STATION)
P766	CONNECTOR	W119	9-18	CAUTION AND WARNING
P766	CONNECTOR	W119	9-19	EDGE LIGHTS
P766	CONNECTOR	W119	9-20	CPG UTILITY AND SECONDARY LIGHTS
P766	CONNECTOR	W119	18-1	ENGINE INSTRUMENTS
P766	CONNECTOR	W115	18-2	NAVIGATION INSTRUMENTS
P766 SP1	SPLICE	W119	18-2	NAVIGATION INSTRUMENTS
P767	CONNECTOR	W117	4-1	AREA WEAPON SYSTEM (AWS)
P767	CONNECTOR	W117	9-6	CIRCUIT PROTECTION (AC ESSENTIAL BUS 1 - CPG STATION)
P767	CONNECTOR	W117	9-8	CIRCUIT PROTECTION (AC ESSENTIAL BUS 2 - CPG STATION)
P767	CONNECTOR	W117	9-13	CIRCUIT PROTECTION (DC ESSENTIAL BUS 3 - CPG STATION)
P767	CONNECTOR	W117	9-17	CIRCUIT PROTECTION (DC GROUND CIRCUIT BREAKERS - CPG STATION)
P767	CONNECTOR	W217	14-1	HELLFIRE MISSILE
P767	CONNECTOR	W117	19-1	MULTIPLEX

WIRING DIAGRAM DIRECTORY (cont)

REFDES	COMPONENT	CABLE	PARAGRAPH	WIRING DIAGRAM
P767	CONNECTOR	W117	26-2	VIDEO DISPLAY UNIT (VDU) AND VIDEO RECORDER
P767 SP1	SPLICE	W117	4-1	AREA WEAPON SYSTEM (AWS)
P767 SP2	SPLICE	W117	4-1	AREA WEAPON SYSTEM (AWS)
P767 SP3	SPLICE	W117	4-1	AREA WEAPON SYSTEM (AWS)
P767 SP4	SPLICE	W117	4-1	AREA WEAPON SYSTEM (AWS)
P768	CONNECTOR	W117	4-1	AREA WEAPON SYSTEM (AWS)
P768	CONNECTOR	W117	9-8	CIRCUIT PROTECTION (AC ESSENTIAL BUS 2 - CPG STATION)
P769	CONNECTOR	W145	9-6	CIRCUIT PROTECTION (AC ESSENTIAL BUS 1 - CPG STATION)
P769	CONNECTOR	W145	9-8	CIRCUIT PROTECTION (AC ESSENTIAL BUS 2 - CPG STATION)
P769	CONNECTOR	W145	9-13	CIRCUIT PROTECTION (DC ESSENTIAL BUS 3 - CPG STATION)
P769	CONNECTOR	W145	9-15	CIRCUIT PROTECTION (DC EMERGENCY BUS - CPG STATION)
P78	CONNECTOR	W118	25-6	FIRE DETECTION AND EXTINGUISHING
P787	CONNECTOR	W261	9-19	EDGE LIGHTS
P787	CONNECTOR	W261	18-1	ENGINE INSTRUMENTS
P79	CONNECTOR	W118	25-6	FIRE DETECTION AND EXTINGUISHING
P791	CONNECTOR	W118	25-3	ROTOR BLADES DE-ICE

WIRING DIAGRAM DIRECTORY (cont)

REFDES	COMPONENT	CABLE	PARAGRAPH	WIRING DIAGRAM
P791 SP1	SPLICE	W118	25-3	ROTOR BLADES DE-ICE
P791 SP2	SPLICE	W118	25-3	ROTOR BLADES DE-ICE
P792	CONNECTOR	W118	9-18	CAUTION AND WARNING
P792	CONNECTOR	W118	25-3	ROTOR BLADES DE-ICE
P798	CONNECTOR	W255	9-19	EDGE LIGHTS
P799	CONNECTOR	W266	18-2	NAVIGATION INSTRUMENTS
P799	CONNECTOR	W266	20-2	DOPPLER NAVIGATION AN/ASN-128
P799 SP1	SPLICE	W266	20-2	DOPPLER NAVIGATION AN/ASN-128
P799 SP2	SPLICE	W266	20-2	DOPPLER NAVIGATION AN/ASN-128
P799 SP3	SPLICE	W266	20-2	DOPPLER NAVIGATION AN/ASN-128
P799 SP4	SPLICE	W266	20-2	DOPPLER NAVIGATION AN/ASN-128
P799 SP5	SPLICE	W266	20-2	DOPPLER NAVIGATION AN/ASN-128
P799 SP6	SPLICE	W266	20-2	DOPPLER NAVIGATION AN/ASN-128
P799 SP7	SPLICE	W266	20-2	DOPPLER NAVIGATION AN/ASN-128
P799 SP8	SPLICE	W266	20-2	DOPPLER NAVIGATION AN/ASN-128
P799 SP9	SPLICE	W266	20-2	DOPPLER NAVIGATION AN/ASN-128
P799 SP10	SPLICE	W266	20-2	DOPPLER NAVIGATION AN/ASN-128
P799 SP11	SPLICE	W266	20-2	DOPPLER NAVIGATION AN/ASN-128
P799 SP12	SPLICE	W266	18-2	NAVIGATION INSTRUMENTS

WIRING DIAGRAM DIRECTORY (cont)

REFDES	COMPONENT	CABLE	PARAGRAPH	WIRING DIAGRAM
P799 SP12	SPLICE	W266	20-2	DOPPLER NAVIGATION AN/ASN-128
P799 SP13	SPLICE	W266	18-2	NAVIGATION INSTRUMENTS
P799 SP13	SPLICE	W266	20-2	DOPPLER NAVIGATION AN/ASN-128
P799 SP14	SPLICE	W266	18-2	NAVIGATION INSTRUMENTS
P799 SP14	SPLICE	W266	20-2	DOPPLER NAVIGATION AN/ASN-128
P8	CONNECTOR	APU	5-1	AUXILIARY POWER UNIT (APU)
P8	CONNECTOR	W118	9-1	AC ELECTRICAL POWER GENERATION
P8 SP1	SPLICE	W118	9-1	AC ELECTRICAL POWER GENERATION
P80	CONNECTOR	W108	9-4	BATTERY AND BATTERY CHARGER
P80	CONNECTOR	W108	9-18	CAUTION AND WARNING
P80 SP1	SPLICE	W108	9-4	BATTERY AND BATTERY CHARGER
P80 SP2	SPLICE	W108	9-4	BATTERY AND BATTERY CHARGER
P81	CONNECTOR	W108	9-4	BATTERY AND BATTERY CHARGER
P82	CONNECTOR	W164	25-6	FIRE DETECTION AND EXTINGUISHING
P83	CONNECTOR	W164	25-6	FIRE DETECTION AND EXTINGUISHING
P835	CONNECTOR	W255	22-1	PNVS
P835 SP1	SPLICE	W255	22-1	PNVS
P835 SP2	SPLICE	W255	22-1	PNVS
P835 SP3	SPLICE	W255	22-1	PNVS

WIRING DIAGRAM DIRECTORY (cont)

WIRINGDIAGRAM DIRECTORY (cont)

REFDES	COMPONENT	CABLE PARAGRAPH		WIRING DIAGRAM
P835 SP4	SPLICE	W255	22-1	PNVS
P836	CONNECTOR	W255	22-1	PNVS
P836	CONNECTOR	W255	24-1	TADS
P837	CONNECTOR	W255	22-1	PNVS
P838	CONNECTOR	W255	22-1	PNVS
P839	CONNECTOR	W255	22-1	PNVS
P839	CONNECTOR	W255	24-1	TADS
P839 SP1	SPLICE	W255	22-1	PNVS
P839 SP2	SPLICE	W255	22-1	PNVS
P84	CONNECTOR	W118	25-6	FIRE DETECTION AND EXTINGUISHING
P840	CONNECTOR	W255	22-1	PNVS
P840	CONNECTOR	W255	26-1	SYMBOL GENERATOR
P841	CONNECTOR	W255	22-1	PNVS
P841	CONNECTOR	W255	26-1	SYMBOL GENERATOR
P842	CONNECTOR	W255	24-1	TADS
P842 SP1	SPLICE	W255	24-1	TADS
P842 SP2	SPLICE	W255	24-1	TADS
P842 SP3	SPLICE	W255	24-1	TADS
P842 SP4	SPLICE	W255	24-1	TADS
P842 SP5	SPLICE	W255	24-1	TADS
P842 SP6	SPLICE	W255	24-1	TADS
P842 SP7	SPLICE	W255	24-1	TADS
P842 SP8	SPLICE	W255	24-1	TADS
P843	CONNECTOR	W255	22-1	PNVS
P843	CONNECTOR	W255	24-1	TADS

REFDES	COMPONENT	CABLE PARAGRAPH		WIRING DIAGRAM
P844	CONNECTOR	W255	22-1	PNVS
P844	CONNECTOR	W255	24-1	TADS
P845	CONNECTOR	W255	22-1	PNVS
P845	CONNECTOR	W255	24-1	TADS
P848	CONNECTOR	W255	24-1	TADS
P848 SP1	SPLICE	W255	24-1	TADS
P849	CONNECTOR	W255	24-1	TADS
P849 SP1	SPLICE	W255	24-1	TADS
P849 SP2	SPLICE	W255	24-1	TADS
P849 SP3	SPLICE	W255	24-1	TADS
P849 SP4	SPLICE	W255	24-1	TADS
P849 SP5	SPLICE	W255	24-1	TADS
P849 SP6	SPLICE	W255	24-1	TADS
P849 SP7	SPLICE	W255	24-1	TADS
P849 SP8	SPLICE	W255	24-1	TADS
P849 SP9	SPLICE	W255	24-1	TADS
P849 SP10	SPLICE	W255	24-1	TADS
P849 SP11	SPLICE	W255	24-1	TADS
P849 SP12	SPLICE	W255	24-1	TADS
P849 SP13	SPLICE	W255	24-1	TADS
P849 SP14	SPLICE	W255	24-1	TADS
P849 SP15	SPLICE	W255	24-1	TADS
P849 SP16	SPLICE	W255	24-1	TADS
P849 SP17	SPLICE	W255	24-1	TADS
P849 SP18	SPLICE	W255	24-1	TADS
P849 SP19	SPLICE	W255	24-1	TADS

WIRING DIAGRAM DIRECTORY (cont)

<u>REFDES</u>	<u>COMPONENT</u>	<u>CABLE</u>	<u>PARAGRAPH</u>	<u>WIRING DIAGRAM</u>
P849 SP20	SPLICE	W255	24-1	TADS
P849 SP21	SPLICE	W255	24-1	TADS
P849 SP22	SPLICE	W255	24-1	TADS
P85	CONNECTOR	W255	254	FIRE DETECTION AND EXTINGUISHING
P85 SP1	SPLICE	W255	25-6	FIRE DETECTION AND EXTINGUISHING
P851	CONNECTOR	W255	24-1	TADS
P851	CONNECTOR	W255	26-1	SYMBOL GENERATOR
P852	CONNECTOR	W255	22-1	PNVS
P852	CONNECTOR	W255	24-1	TADS
P852	CONNECTOR	W255	26-1	SYMBOL GENERATOR
P853	CONNECTOR	W255	22-1	PNVS
P853	CONNECTOR	W255	24-1	TADS
P853 SP1	SPLICE	W255	24-1	TADS
P853 SP2	SPLICE	W255	24-1	TADS
P853 SP3	SPLICE	W255	241	TADS
P853 SP4	SPLICE	W255	24-1	TADS
P853 SP7	SPLICE	W255	24-1	TADS
P853 SP8	SPLICE	W255	24-1	TADS
P853 SP9	SPLICE	W255	24-1	TADS
P853 SP10	SPLICE	W255	24-1	TADS
P853 SP15	SPLICE	W255	24-1	TADS
P853 SP16	SPLICE	W255	24-1	TADS
P863 SP17	SPLICE	W255	24-1	TADS
P855	CONNECTOR	W255	24-1	TADS
P855 SP1	SPLICE	W255	24-1	TADS

WIRING DIAGRAM DIRECTORY (cont)

<u>REFDES</u>	<u>COMPONENT</u>	<u>CABLE</u>	<u>PARAGRAPH</u>	<u>WIRING DIAGRAM</u>
P855 SP2	SPLICE	W255	24-1	TADS
P856	CONNECTOR	W255	22-1	PNVS(
P857	CONNECTOR	W255	22-1	PNVS
P857	CONNECTOR	W255	24-1	TADS
P857	CONNECTOR	W255	26-1	SYMBOL GENERATOR
P861	CONNECTOR	W255	22-1	PNVS
P861	CONNECTOR	W255	24-1	TADS
P862	CONNECTOR	W255	22-1	PNVS
P862	CONNECTOR	W255	24-1	TADS
P863	CONNECTOR	W255	22-1	PNVS
P863	CONNECTOR	W255	24-1	TADS
P864	CONNECTOR	W255	24-1	TADS
P865	CONNECTOR	W116	20-3A	DOPPLER NAVIGATION AN/ASN-137 (ADD)
P865	CONNECTOR	W116	20-7	DATA TRANSFER UNIT (ADD)
P865	CONNECTOR	W116	20-8	EGI (ADD)
P866	CONNECTOR	W266	203A	DOPPLER NAVIGATION AN/ASN-137 (ADD)
P866	CONNECTOR	W266	20-7	DATA TRANSFER UNIT (ADD)
P866	CONNECTOR	W266	20-8	EGI (ADD)
P867	CONNECTOR	W255	24-1	TADS
P868	CONNECTOR	W255	24-1	TADS
P868	CONNECTOR	W256	26-1	SYMBOL GENERATOR
P869	CONNECTOR	W255	24-1	TADS
P869	CONNECTOR	W255	26-1	SYMBOL GENERATOR
P87	CONNECTOR	W255	9-4	BATTERY AND BAITERY CHARGER

WIRING DIAGRAM DIRECTORY (cont)

<u>REFDES</u>	<u>COMPONENT</u>	<u>CABLE</u>	<u>PARAGRAPH</u>	<u>WIRING DIAGRAM</u>
P870	CONNECTOR	W255	3-1	AERIAL ROCKET CONTROL SYSTEM (ARCS)
P870	CONNECTOR	W255	4-1	AREA WEAPON SYSTEM (AWS)
P870	CONNECTOR	W255	11-1	EXTERNAL STORES CONTROL
P870	CONNECTOR	W255	14-1	HELLFIRE MISSILE
P870	CONNECTOR	W255	24-1	TADS
P870	CONNECTOR	W255	26-2	VIDEO DISPLAY UNIT (VDU) AND VIDEO RECORDER
P870 SP1	SPLICE	W255	3-1	AERIAL ROCKET CONTROL SYSTEM (ARCS)
P870 SP1	SPLICE	W255	4-1	AREA WEAPON SYSTEM (AWS)
P870 SP1	SPLICE	W255	14-1	HELLFIRE MISSILE
P870 SP1	SPLICE	W255	24-1	TADS
P871	CONNECTOR	W255	9-19	EDGE LIGHTS
P871	CONNECTOR	W255	9-19	EDGE LIGHTS
P871	CONNECTOR	W255	17-1	IHADSS
P871	CONNECTOR	W255	24-1	TADS
P871 SP1	SPLICE	W255	24-1	TADS
P871 SP2	SPLICE	W255	17-1	IHADSS
P871 SP2	SPLICE	W255	24-1	TADS
P871 SP3	SPLICE	W255	24-1	TADS
P871 SP4	SPLICE	W255	24-1	TADS
P871 SP5	SPLICE	W255	24-1	TADS
P871 SP6	SPLICE	W255	24-1	TADS
P871 SP9	SPTICE	W255	24-1	TADS
P871 SP10	SPLICE	W255	24-1	TADS
P871 SP11	SPLICE	W255	24-1	TADS

WIRING DIAGRAM DIRECTORY (cont)

<u>REFDES</u>	<u>COMPONENT</u>	<u>CABLE</u>	<u>PARAGRAPH</u>	<u>WIRING DIAGRAM</u>
P871 SP12	SPLICE	W255	24-1	TADS
P871 SP13	SPLICE	W255	9-19	EDGE LIGHTS
P871 SP14	SPLICE	W255	9-19	EDGE LIGHTS
P871 SP15	SPLICE	W255	9-19	EDGE LIGHTS
P871 SP16	SPLICE	W255	9-19	EDGE LIGHTS
P872	CONNECTOR	W119	253	ROTOR BLADES DE-ICE
P873	CONNECTOR	W266	20-8	EGI (ADD)
P873 SP1	CONNECTOR	W266	20-8	EGI (ADD)
P873 SP2	CONNECTOR	W266	208	EGI (ADD)
P874	CONNECTOR	W266	20-8	EGI (ADD)
P874 SP1	CONNECTOR	W266	20-8	EGI (ADD)
P876	CONNECTOR	W266	2(-8	EGI (ADD)
P877	CONNECTOR	W266	2-8	EGI (ADD)
P878	CONNECTOR	W266	2(-8	EGI (ADD)
P879	CONNECTOR	W266	207	DATA TRANSFER UNIT (ADD)
P879 SP1	CONNECTOR	W266	20-7	DATA TRANSFER UNIT (ADD)
P879 SP2	CONNECTOR	W266	20-7	DATA TRANSFER UNIT (ADD)
P879 SP3	CONNECTOR	W266	20-7	DATA TRANSFER UNIT (ADD)
P88	CONNECTOR	W149	25-6	FIRE DETECTION AND EXTINGUISHING
P880	CONNECTOR	W266	20-7	DATA TRANSFER UNIT (ADD)
P881	CONNECTOR	W266	20-7	DATA TRANSFER UNIT (ADD)
P883	CONNECTOR	W266	20-3	ANAVIGATION DOPPLER AN/ASN-137 (ADD)
P884	CONNECTOR	W266	20-3	ANAVIGATION DOPPLER AN/ASN-137 (ADD)

WIRING DIAGRAM DIRECTORY (cont)

<u>REFDES</u>	<u>COMPONENT</u>	<u>CABLE</u>	<u>PARAGRAPH</u>	<u>WIRING DIAGRAM</u>
P889 (ADD)	CONNECTOR	W266	19-1	MULTIPLEX
P89	CONNECTOR	W149	25-6	FIRE DETECTION AND EXTINGUISHING
P890 (ADD)	CONNECTOR	W266	19-1	MULTIPLEX
P891 (ADD)	CONNECTOR	W117	19-1	MULTIPLEX
P892 (ADD)	CONNECTOR	W266	19-1	MULTIPLEX
P894 (ADD)	CONNECTOR	W226	20-8	EGI (ADD)
P895 (ADD)	CONNECTOR	W227	20-8	EGI (ADD)
P896 (ADD)	CONNECTOR	W234	20-8	EGI (ADD)
P897 (ADD)	CONNECTOR	W266	20-8	EGI (ADD)
P9	CONNECTOR	APU	5-1	AUXILIARY POWER UNIT (APU)
P9	CONNECTOR	W118	9-1	AC ELECTRICAL POWER GENERATION
P90	CONNECTOR	W119	25-6	FIRE DETECTION AND EXTINGUISHING
P900	CONNECTOR	W116	17-1	IHADSS
P901	CONNECTOR	W262	17-1	IHADSS
P901 SP1	SPLICE	W262	17-1	IHADSS
P901 SP2	SPLICE	W262	17-1	IHADSS
P901 SP3	SPLICE	W262	17-1	IHADSS
P901 SP4	SPLICE	W262	17-1	IHADSS
P901 SP5	SPLICE	W262	17-1	IHADSS
P901 SP6	SPLICE	W262	17-1	IHADSS
P901 SP7	SPLICE	W262	17-1	IHADSS
P901 SP8	SPLICE	W262	17-1	IHADSS
P901 SP9	SPLICE	W262	17-1	IHADSS
P901 SP10	SPSPLICE	W262	17-1	IHADSS
P901 SP11	SPLICE	W262	17-1	IHADSS

WIRING DIAGRAM DIRECTORY (cont)

<u>REFDES</u>	<u>COMPONENT</u>	<u>CABLE</u>	<u>PARAGRAPH</u>	<u>WIRING DIAGRAM</u>
P901 SP12	SPLICE	W262	17-1	IHADSS
P902	CONNECTOR	W262	17-1	IHADSS
P902 SP1	SPLICE	W262	17-1	IHADSS
P902 SP2	SPLICE	W262	17-1	IHADSS
P902 SP3	SPLICE	W262	17-1	IHADSS
P902 SP4	SPLICE	W262	17-1	IHADSS
P902 SP5	SPLICE	W262	17-1	IHADSS
P902 SP6	SPLICE	W262	17-1	IHADSS
P902 SP7	SPLICE	W262	17-1	IHADSS
P902 SP8	SPLICE	W262	17-1	IHADSS
P902 SP9	SPLICE	W262	17-1	IHADSS
P902 SP10	SPLICE	W262	17-1	IHADSS
P902 SP11	SPLICE	W262	17-1	IHADSS
P902 SP12	SPLICE	W262	17-1	IHADSS
P903	CONNECTOR	W255	17-1	IHADSS
P903	CONNECTOR	W255	22-1	PNVS
P903	CONNECTOR	W255	26-1	SYMBOL GENERATOR
P904	CONNECTOR	W116	17-1	IHADSS
P905	CONNECTOR	W116	17-1	IHADSS
P905 SP1	SPLICE	W116	17-1	IHADSS
P905 SP2	SPLICE	W116	17-1	IHADSS
P905 SP3	SPLICE	W116	17-1	IHADSS
P905 SP4	SPLICE	W116	17-1	IHADSS
P905 SP5	SPLICE	W116	17-1	IHADSS
P906	CONNECTOR	W116	4-1	AREA WEAPON SYSTEM (AWS)
P907	CONNECTOR	W266	6-1	INTERCOMMUNICATION
P907	CONNECTOR	W266	9-27	AUDIO WARNING

WIRING DIAGRAM DIRECTORY (cont)

REFDES	COMPONENT	CABLE PARAGRAPH	WIRING DIAGRAM
P908	CONNECTOR	W118 7-1	CHAFF DISPENSER
P908	CONNECTOR	W118 9-18	CAUTION AND WARNING
P908	CONNECTOR	W118 10-1	ENVIRONMENTAL CONTROL SYSTEM (ECS) SYSTEM (ECS)
P908	CONNECTOR	W118 12-1	DASE (BUCS DEACTIVATED)
P908	CONNECTOR	W118 12-2	DASE (BUCS ACTIVATED)
P908	CONNECTOR	W118 18-2	NAVIGATION INSTRUMENTS
P908	CONNECTOR	W118 19-1	MULTIPLEX
P908	CONNECTOR	W118 21-2	RADAR JAMMER AN/ALQ-136
P908	CONNECTOR	W118 21-3	RADAR WARNING SET AN/APR-39(V)1 (ADN) AND AN/APR-39A(V)1 (ADO)
P908	CONNECTOR	W118 21-4	LASER DETECTING SET AN/AVR-2A(V)1 (ADP)
P908	CONNECTOR	W118 25-6	FIRE DETECTION AND EXTINGUISHING
P908	CONNECTOR	W118 26-2	VIDEO DISPLAY UNIT (VDU) AND VIDEO RECORDER
P909	CONNECTOR	W266 6-1	INTERCOMMUNICATION

WIRING DIAGRAM DIRECTORY (cont)

REFDES	COMPONENT	CABLE PARAGRAPH	WIRING DIAGRAM
P909	CONNECTOR	W266 6-2	TSEC/KY-58 COMMUNICATIONS SECURITY EQUIPMENT
P909	CONNECTOR	W266 6-3	UHF-AM RADIO SET
P909	CONNECTOR	W266 6-4	VHF AM-FM RADIO SET AN/ARC-186 (ADH)
P909	CONNECTOR	W266 6-5	VHF AM-FM RADIO SET AN/ARC-186 AND AN/ARC-201A (ADI)
P909	CONNECTOR	W266 9-19	EDGE LIGHTS
P909	CONNECTOR	W266 20-1	AUTOMATIC DIRECTION FINDER (ADF) AN/ARN-89
P909	CONNECTOR	W266 20-5	RADAR ALTIMETER (RADALT) SET
P909	CONNECTOR	W266 20-6	AUTOMATIC DIRECTION FINDER (ADF) AN/ARN-149
P909	CONNECTOR	W266 20-7	DATA TRANSFER UNIT (ADD)
P91	CONNECTOR	W118 7-1	CHAFF DISPENSER
P91	CONNECTOR	W118 9-19	EDGE LIGHTS

WIRING DIAGRAM DIRECTORY (cont)

<u>REFDES</u>	<u>COMPONENT</u>	<u>CABLE</u>	<u>PARAGRAPH</u>	<u>WIRING DIAGRAM</u>
P910	CONNECTOR	W102	5-1	AUXILIARY POWER UNIT (APU)
P910	CONNECTOR	W102	9-18	CAUTION AND WARNING
P910	CONNECTOR	W102	20-4	HARS
P911	CONNECTOR	W189	12-4	STABILATOR
P912	CONNECTOR	W118	12-1	DASE (BUCS DEACTIVATED)
P912	CONNECTOR	W118	12-2	DASE (BUCS ACTIVATED)
P912	CONNECTOR	W118	21-2	RADAR JAMMER AN/ALQ-136
P912	CONNECTOR	W118	26-2	VIDEO DISPLAY UNIT (VDU) AND VIDEO RECORDER
P913	CONNECTOR	W262	17-1	IHADSS
P914	CONNECTOR	W118	9-18	CAUTION AND WARNING
P914	CONNECTOR	W118	13-4	PRESSURE REFUELING/DEFUELING
P914	CONNECTOR	W118	15-1	HYDRAULIC
P914	CONNECTOR	W118	18-2	NAVIGATION INSTRUMENTS
P914	CONNECTOR	W118	21-3	RADAR WARNING SET AN/APR-39(V)1
P914	CONNECTOR	W118	25-6	FIRE DETECTION AND EXTINGUISHING
P915	CONNECTOR	W118	9-18	CAUTION AND WARNING
P915	CONNECTOR	W118	13-3	FUEL QUANTITY INDICATION/TRANSFER
P915	CONNECTOR	W118	13-4	PRESSURE REFUELING/DEFUELING
P916	CONNECTOR	W118	5-1	AUXILIARY POWER UNIT (APU)
P916	CONNECTOR	W118	7-1	CHAFF DISPENSER
P917	CONNECTOR	W262	17-1	IHADSS
P919	CONNECTOR	W102	7-1	CHAFF DISPENSER
P919	CONNECTOR	W102	12-4	STABILATOR

WIRING DIAGRAM DIRECTORY (cont)

<u>REFDES</u>	<u>COMPONENT</u>	<u>CABLE</u>	<u>PARAGRAPH</u>	<u>WIRING DIAGRAM</u>
P919	CONNECTOR	W102	21-3	RADAR WARNING SET AN/APR-39(V)1
P921	CONNECTOR	W116	3-1	AERIAL ROCKET CONTROL SYSTEM (ARCS)
P921	CONNECTOR	W116	4-1	AREA WEAPON SYSTEM (AWS)
P921	CONNECTOR	W116	14-1	HELLFIRE MISSILE
P921	CONNECTOR	W116	17-1	IHADSS
P921	CONNECTOR	W116	19-1	MULTIPLEX
P921	CONNECTOR	W116	20-5	RADAR ALTIMETER RADALT) SET
P921	CONNECTOR	W116	20-3A	DOPPLER NAVIGATION AN/ASN-137 (ADD)
P921	CONNECTOR	W116	20-7	DATA TRANSFER UNIT (ADD)
P921	CONNECTOR	W116	20-8	EGI (ADD)
P922	CONNECTOR	W116	4-1	AREA WEAPON SYSTEM (AWS)
P922	CONNECTOR	W116	19-1	MULTIPLEX
F922	CONNECTOR	W116	22-1	PNVS
P924	CONNECTOR	W262	17-1	IHADSS
P927	CONNECTOR	W262	17-1	IHADSS
P929	CONNECTOR	W262	17-1	IHADSS
P930	CONNECTOR	W262	17-1	IHADSS
P931	CONNECTOR	W116	18-1	IHADSS
P931 SP1	SPLICE	W116	17-1	IHADSS
F932	CONNECTOR	W116	17-1	IHADSS
P932 SP1	SPLICE	W116	17-1	IHADSS
P932 SP2	SPLICE	W116	17-1	IHADSS
P935	CONNECTOR	W189	12-4	STABILATOR
P937	CONNECTOR	W261	13-3	FUEL QUANTITY INDICATION/TRANSFER
P937 SP1	SPLICE	W261	13-3	FUEL QUANTITY INDICATION/TRANSFER
P938	CONNECTOR	W119	13-2	FUEL CROSSFEED/BOOST
F939	CONNECTOR	W102	13-2	FUEL CROSSFEED/BOOST

WIRING DIAGRAM DIRECTORY (cont)

<u>REFDES</u>	<u>COMPONENT</u>	<u>CABLE</u>	<u>PARAGRAPH</u>	<u>WIRING DIAGRAM</u>
P940	CONNECTOR	W268	13-3	FUEL QUANTITY INDICATION/TRANSFER
P941	CONNECTOR	W268	5-1	AUXILIARY POWER UNIT (APU)
P942	CONNECTOR	W118	13-4	PRESSURE REFUELING/DEFUELING
P943	CONNECTOR	W268	13-4	PRESSURE REFUELING/DEFUELING
F944	CONNECTOR	W211	2-1	AIR DATA SYSTEM (ADS)
P944	CONNECTOR	W211	12-1	DASE (BUCS DEACTIVATED)
P944	CONNECTOR	W211	12-2	DASE (BUCS ACTIVATED)
P945	CONNECTOR	W119	21-2	RADAR JAMMER AN/ALQ-136
P946	CONNECTOR	W119	21-2	RADAR JAMMER AN/ALQ-136
P947	CONNECTOR	W204	21-2	RADAR JAMMER AN/ALQ-136
P948	CONNECTOR	W205	21-2	RADAR JAMMER AN/ALQ-136
P949	CONNECTOR	W119	21-1	IR JAMMER AN/ALQ-144
P949 SP1	SPLICE	W119	21-1	IR JAMMER AN/ALQ-144
P950	CONNECTOR	W118	21-1	IR JAMMER AN/ALQ-144
P951	CONNECTOR	W118	9-18	CAUTION AND WARNING
P951	CONNECTOR	W118	9-19	EDGE LIGHTS
P951	CONNECTOR	W118	21-1	IR JAMMER AN/ALQ-144
P951	CONNECTOR	W118	21-2	RADAR JAMMER AN/ALQ-136
P951 SP1	SPLICE	W118	21-2	RADAR JAMMER AN/ALQ-136
P951 SP2	SPLICE	W118	21-2	RADAR JAMMER AN/ALQ-136
P953	CONNECTOR	W166	25-2	ENGINE ANTI-ICE

WIRING DIAGRAM DIRECTORY (cont)

<u>REFDES</u>	<u>COMPONENT</u>	<u>CABLE</u>	<u>PARAGRAPH</u>	<u>WIRING DIAGRAM</u>
P954	CONNECTOR	W165	25-2	ENGINE ANTI-ICE
P956	CONNECTOR	W119	25-1	CANOPY DEFOG AND ANTI-ICE
P96	CONNECTOR	W143	7-1	CHAFF DISPENSER
P971	CONNECTOR	W266	6-1	INTERCOMMUNICATION
P971	CONNECTOR	W266	6-3	UHF-AM RADIO SET
P971	CONNECTOR	W266	6-4	VHF AM-FM RADIO SET AN/ARC-186 (ADH)
P971	CONNECTOR	W266	6-5	VHF AM-FM RADIO SET AN/ARC-186 AND AN/ARC-201A (ADI)
P971	CONNECTOR	W266	9-19	EDGE LIGHTS
P972	CONNECTOR	W266	6-1	INTERCOMMUNICATION
P972	CONNECTOR	W266	6-3	UHF-AM RADIO SET
P972	CONNECTOR	W266	6-4	VHF AM-FM RADIO SET AN/ARC-186 (ADH)
P972	CONNECTOR	W266	6-5	VHF AM-FM RADIO SET AN/ARC-186 AND AN/ARC-201A (ADI)
P972	CONNECTOR	W266	9-27	AUDIO WARNING
P974	CONNECTOR	W266	6-1	INTERCOMMUNICATION
P974	CONNECTOR	W266	6-3	UHF-AM RADIO SET
P974	CONNECTOR	W266	6-4	VHF AM-FM RADIO SET AN/ARC-186 (ADH)
P974	CONNECTOR	W266	6-5	VHF AM-FM RADIO SET AN/ARC-186 AND AN/ARC-201A (ADI)
P974	CONNECTOR	W266	9-27	AUDIO WARNING
P976	CONNECTOR	W204	21-2	RADAR JAMMER AN/ALQ-136
P977	CONNECTOR	W119	13-2	FURL CROSSFEED/BOOST
P977	CONNECTOR	W119	23-1	POWER PLANTS

WIRING DIAGRAM DIRECTORY (cont)

WIRING DIAGRAM DIRECTORY (cont)

<u>REFDES</u>	<u>COMPONENT</u>	<u>CABLE</u>	<u>PARAGRAPH</u>	<u>WIRING DIAGRAM</u>
P978	CONNECTOR	W119	13-2	FUEL CROSSFEED/BOOST
P978	CONNECTOR	W119	23-1	POWER PLANTS
P979	CONNECTOR		21-2	RADAR JAMMER AN/ALQ-136
P98	CONNECTOR	W143	7-1	CHAFF DISPENSER
P981	CONNECTOR	W119	9-19	EDGE LIGHTS
P981	CONNECTOR	W119	12-4	STABILATOR
P982	CONNECTOR	W118	9-19	EDGE LIGHTS
P982	CONNECTOR	W118	12-4	STABILATOR
P983	CONNECTOR	W211	12-4	STABILATOR
P984	CONNECTOR	W102	12-4	STABILATOR
P985	CONNECTOR	W211	12-4	STABILATOR
P986	CONNECTOR	W211	12-1	DASE (BUCS DEACTIVATED)
P986	CONNECTOR	W211	12-2	DASE (BUCS ACTIVATED)
P986	CONNECTOR	W211	12-4	STABILATOR
P987	CONNECTOR	W211	12-4	STABILATOR
P989	CONNECTOR	W211	12-4	STABILATOR
P990	CONNECTOR	W211	12-1	DASE (BUCS DEACTIVATED)
P990	CONNECTOR	W211	12-2	DASE (BUCS ACTIVATED)
P990	CONNECTOR	W211	12-4	STABILATOR
P991	CONNECTOR	W211	12-4	STABILATOR
P993	CONNECTOR	W119	9-9	CIRCUIT PROTECTION (DC ESSENTIAL BUS 1- PILOT STATION)
P993	CONNECTOR	W119	10-1	ENVIRONMENTAL CONTROL SYSTEM (ECS)

<u>REFDES</u>	<u>COMPONENT</u>	<u>CABLE</u>	<u>PARAGRAPH</u>	<u>WIRING DIAGRAM</u>
P995	CONNECTOR	W189	12-4	STABILATOR
P996	CONNECTOR	W170	12-4	STABILATOR
P997	CONNECTOR	W117	9-10	CIRCUIT PROTECTION (DC ESSENTIAL BUS 1- CPG STATION)
P997	CONNECTOR	W117	10-1	ENVIRONMENTAL CONTROL SYSTEM (ECS)
P999	CONNECTOR	W171	25-3	ROTOR BLADES DE-ICE
PM1	EXTERNALPOWER MONITOR	W108	9-3	EXTERNAL POWER AND GROUND SERVICE UTILITY CONNECTOR
PS1	TRANSFORMER RECTIFIER		9-2	DC ELECTRICAL POWER GENERATION
PS2	TRANSFORMER RECTIFIER		9-2	DC ELECTRICAL POWER GENERATION
PS2	TRANSFORMER RECTIFIER		9-7	CIRCUIT PROTECTION (AC ESSENTIAL BUS 2- PILOT STATION)
PS3	CPG TRANSFORMER RECTIFIER		19-1	MULTIPLEX
PS3	CPG RECTIFIER TRANSFORMER		26-2	VIDEO DISPLAY UNIT (VDU) AND VIDEO RECORDER
PS5	ANTI-COLLISION LIGHT POWER SUPPLY		9-22	ANTI-COLLISION LIGHTS
R1 (A1 A133)	RESISTOR	W625	9-25	NAVIGATION LIGHTS
R1 (A1 A137)	RESISTOR	W611	12-4	STABILATOR
R1 (A1 A181)	RESISTOR	W619	9-19	EDGE LIGHTS
R1 (A110)	RESISTOR	W627	6-3	UHF-AM RADIO SET
R1 (A110)	RESISTOR	W627	6-4	VHF AM-FM RADIO SET AN/ARC-186 (ADH)
R1 (A110)	RESISTOR	W627	6-5	VHF AM-FM RADIO SET AN/ARC-186 AND AN/ARC-201A (ADI)
R1 (A138)	RESISTOR	W616	25-6	FIRE DETECTION AND EXTINGUISHING

WIRING DIAGRAM DIRECTORY (cont)

REFDES	COMPONENT	CABLE	PARAGRAPH	WIRING DIAGRAM
R1 (A139)	RESISTOR	W609	10-1	ENVIRONMENTAL CONTROL SYSTEM (ECS)
R1 (A181)	RESISTOR	W619	9-19	EDGE LIGHTS
R1 (A326)	RESISTOR	W646	11-2	EXTERNAL STORES JETTISON
R1 (A336)	RESISTOR	W650	11-2	EXTERNAL STORES JETTISON
R1 (A402)	RESISTOR	W668	18-2	NAVIGATION INSTRUMENTS
R1 (A402)	RESISTOR	W668	20-4	HARS
R1 (A424)	RESISTOR	W654	4-1	AREA WEAPON SYSTEM (AWS)
R1 (A425)	RESISTOR	W653	4-1	AREA WEAPON SYSTEM (AWS)
R1 (A78)	RESISTOR	W613	23-1	POWER PLANTS
R1 (A94)	RESISTOR	W617	11-2	EXTERNAL STORES JETTISON
R1 (XA85)	RESISTOR	W659	4-1	AREA WEAPON SYSTEM (AWS)
R1 (A326)	RESISTOR	W646	9-19	EDGE LIGHTS
R10 (A326)	RESISTOR	W646	9-19	EDGE LIGHTS
R11 (A326)	RESISTOR	W646	9-19	EDGE LIGHTS
R12 (A326)	RESISTOR	W646	9-19	EDGE LIGHTS
R13 (A326)	RESISTOR	W646	9-19	EDGE LIGHTS
R14 (A326)	RESISTOR	W646	9-19	EDGE LIGHTS
R15 (A326)	RESISTOR	W646	9-19	EDGE LIGHTS
R16 (A326)	RESISTOR	W646	9-19	EDGE LIGHTS
R17 (A326)	RESISTOR	W646	9-19	EDGE LIGHTS
R18 (A326)	RESISTOR	W646	9-19	EDGE LIGHTS
R19 (A326)	RESISTOR	W646	9-19	EDGE LIGHTS

WIRING DIAGRAM DIRECTORY (cont)

REFDES	COMPONENT	CABLE	PARAGRAPH	WIRING DIAGRAM
R2 (A1 A133)	RESISTOR	W625	9-25	NAVIGATION LIGHTS
R2 (A1 A181)	RESISTOR	W619	9-19	EDGE LIGHTS
R2 (A110)	RESISTOR	W627	6-3	UHF-AM RADIO SET
R2 (A110)	RESISTOR	W627	6-4	VHF AM-FM RADIO SET AN/ARC-186 (ADH)
R2 (A110)	RESISTOR	W627	6-5	VHF AM-FM RADIO SET AN/ARC-186 AND AN/ARC-201A (ADI)
R2 (A138)	RESISTOR	W616	25-6	FIRE DETECTION AND EXTINGUISHING
R2 (A139)	RESISTOR	W609	10-1	ENVIRONMENTAL CONTROL SYSTEM (ECS)
R2 (A181)	RESISTOR	W619	9-19	EDGE LIGHTS
R2 (A326)	RESISTOR	W646	11-2	EXTERNAL STORES JETTISON
R2 (A336)	RESISTOR	W650	11-2	EXTERNAL STORES JETTISON
R2 (A78)	RESISTOR	W613	23-1	POWER PLANTS
R.2 (A94)	RESISTOR	W617	11-2	EXTERNAL STORES JETTISON
R2 (XA85)	RESISTOR	W659	4-1	AREA WEAPON SYSTEM (AWS)
R2 (A326)	RESISTOR	W646	9-19	EDGE LIGHTS
R21 (A326)	RESISTOR	W646	9-19	EDGE LIGHTS
R22 (A326)	RESISTOR	W646	9-19	EDGE LIGHTS
R23 (A326)	RESISTOR	W646	9-19	EDGE LIGHTS
R24 (A326)	RESISTOR	W646	9-19	EDGE LIGHTS
R25 (A326)	RESISTOR	W646	9-19	EDGE LIGHTS
R3 (A1 A133)	RESISTOR	W625	9-25	NAVIGATION LIGHTS
R3 (A1 A181)	RESISTOR	W619	9-20	CPG UTILITY AND SECONDARY LIGHTS
R3 (A110)	RESISTOR	W627	6-3	UHF-AM RADIO SET
R3 (A110)	RESISTOR	W627	6-4	VHF AM-FM RADIO SET AN/ARC-186 (ADH)
R3 (A110)	RESISTOR	W627	6-5	VHF AM-FM RADIO SET AN/ARC-186 AND AN/ARC-201A (ADI)

WIRING DIAGRAM DIRECTORY (cont)

WIRING DIAGRAM DIRECTORY (cont)

<u>REFDES</u>	<u>COMPONENT</u>	<u>CABLE</u>	<u>PARAGRAPH</u>	<u>WIRING DIAGRAM</u>
R3 (A133)	RESISTOR	W625	9-19	EDGE LIGHTS
R3 (A139)	RESISTOR	W609	10-1	ENVIRONMENTAL CONTROL SYSTEM (ECS)
R3 (A181)	RESISTOR	W619	9-19	EDGE LIGHTS
R3 (A326)	RESISTOR	W646	9-19	EDGE LIGHTS
R3 (A94)	RESISTOR	W617	11-2	EXTERNAL STORES JETTISON
R37 (A326)	RESISTOR	W646	25-5	WINDSHIELD WIPERS
R38 (A326)	RESISTOR	W646	20-5	WINDSHIELD WIPERS
R4 (A1 A133)	RESISTOR	W625	9-19	EDGE LIGHTS
R4 (A1 A181)	RESISTOR	W625	9-19	CPG UTILITY AND SECONDARY LIGHTS
R4 (A110)	RESISTOR	W627	6-3	UHF-AM RADIO SET
R4 (A110)	RESISTOR	W627	6-4	VHF AM-FM RADIO SET AN/ARC-186 (ADH)
R4 (A110)	RESISTOR	W627	6-5	VHF AM-FM RADIO SET AN/ARC-186 AND AN/ARC-201A (ADI)
R4 (A133)	RESISTOR	W625	9-23	FORMATION LIGHTS
R4 (A3261)	RESISTOR	W646	9-19	EDGE LIGHTS
R4 (A94)	RESISTOR	W617	11-2	EXTERNAL STORES JETTISON
R5 (A1 A133)	RESISTOR	W625	9-19	EDGE LIGHTS
R5 (A1 A181)	RESISTOR	W619	9-20	CPG UTILITY AND SECONDARY LIGHTS
R5 (A110)	RESISTOR	W627	6-3	UHF-AM RADIO SET
R5 (A110)	RESISTOR	W627	6-4	VHF AM-FM RADIO SET AN/ARC-186 (ADH)
R5 (A110)	RESISTOR	W627	6-5	VHF AM-FM RADIO SET AN/ARC-186 AND AN/ARC-201A (ADI)
R5 (A326)	RESISTOR	W646	9-19	EDGE LIGHTS
R6 (A1 A133)	RESISTOR	W625	9-19	EDGE LIGHTS
R6 (A110)	RESISTOR	W627	6-3	UHF-AM RADIO SET
R6 (A110)	RESISTOR	W627	6-4	VHF AM-FM RADIO SET AN/ARC-186 (ADH)
R6 (A110)	RESISTOR	W627	6-5	VHF AM-FM RADIO SET AN/ARC-186 AND AN/ARC-201A (ADI)

<u>REFDES</u>	<u>COMPONENT</u>	<u>CABLE</u>	<u>PARAGRAPH</u>	<u>WIRING DIAGRAM</u>
R6 (A326)	RESISTOR	W646	9-19	EDGE LIGHTS
R7 (A110)	RESISTOR	W627	6-3	UHF-AM RADIO SET
R7 (A110)	RESISTOR	W627	6-4	VHF AM-FM RADIO SET AN/ARC-186 (ADH)
R7 (A110)	RESISTOR	W627	6-5	VHF AM-FM RADIO SET AN/ARC-186 AND AN/ARC-201A (ADI)
R7 (A133)	RESISTOR	W625	9-21	PILOT UTILITY AND SECONDARY LIGHTS
R7 (A326)	RESISTOR	W646	9-19	EDGE LIGHTS
R8 (A110)	RESISTOR	W627	6-3	UHF-AM RADIO SET
R8 (A110)	RESISTOR	W627	6-4	VHF AM-FM RADIO SET AN/ARC-186 (ADH)
R8 (A110)	RESISTOR	W627	6-5	VHF AM-FM RADIO SET AN/ARC-186 AND AN/ARC-201A (ADD)
R8 (A133)	RESISTOR	W625	9-21	PILOT UTILITY AND SECONDARY LIGHTS
R8 (A326)	RESISTOR	W646	9-19	EDGE LIGHTS
R9 (A133)	RESISTOR	W625	9-21	PILOT UTILITY AND SECONDARY LIGHTS
R9 (A326)	RESISTOR	W646	9-19	EDGE LIGHTS
RE305	ADF RECEIVER		9-19	EDGE LIGHTS
RE305	ADF RECEIVER		9-27	AUDIO WARNING
RE305	ADF RECEIVER		20-1	AUTOMATIC DIRECTION FINDER (ADF) AN/ARN-89
RE306	FORWARD RADAR WARNING RECEIVER		21-3	RADAR WARNING SET AN/APR-39(V)1
RE307	AFT RADAR WARNING RECEIVER		21-3	RADAR WARNING SET AN/APR-39(V)1
RE308	ADF RECEIVER		20-6	AUTOMATIC DIRECTION FINDER (ADF) AN/ARN-149
RT10 (A420)	THERMISTOR	W171	8-1	DRIVE SYSTEM
RT13 (A421)	THERMISTOR	W171	8-1	DRIVE SYSTEM
RT14 (A421)	THERMISTOR	W171	8-1	DRIVE SYSTEM
RT15 (A421)	THERMISTOR	W171	8-1	DRIVE SYSTEM
RT16 (A421)	THERMISTOR	W171	8-1	DRIVE SYSTEM
RT7 (A420)	THERMISTOR	W171	8-1	DRIVE SYSTEM
RT8 (A420)	THERMISTOR	W171	8-1	DRIVE SYSTEM
RT9 (A420)	THERMISTOR	W171	8-1	DRIVE SYSTEM

WIRING DIAGRAM DIRECTORY (cont)

<u>REFDES</u>	<u>COMPONENT</u>	<u>CABLE</u>	<u>PARAGRAPH</u>	<u>WIRING DIAGRAM</u>
S1 (A125)	GEN 2/TEST SWITCH	W610	9-1	AC ELECTRICAL POWER GENERATION
S1 (A131)	CROSSFEED SWITCH	W612	13-2	FUEL CROSSFEED/BOOST
S1 (A133)	FLOOD SWITCH	W625	9-21	PILOT UTILITY AND SECONDARY LIGHTS
S1 (A135)	WSHLD WIPER SWITCH	W614	20-5	WINDSHIELD WIPERS
S1 (A137)	YAW SWITCH	W611	12-1	DASE (BUCS DEACTIVATED)
S1 (A137)	YAW SWITCH	W611	12-2	DASE (BUCS ACTIVATED)
S1 (A138)	FIRE APU PULL SWITCH	W616	5-1	AUXILIARY POWER UNIT (APU)
S1 (A138)	FIRE APU PULL SWITCH	W616	25-6	FIRE DETECTION AND EXTINGUISHING
S1 (A139)	ENCU SWITCH	W609	10-1	ENVIRONMENTAL CONTROL SYSTEM (ECS)
S1 (A179)	TK SEL SWITCH	W618	13-2	FUEL CROSSFEED/BOOST
S1 (A181)	FLOOD SWITCH	W619	9-20	CPG UTILITY AND SECONDARY LIGHTS
S1 (A322)	FIRE BTL SWITCH	W643	25-6	FIRE DETECTION AND EXTINGUISHING
S1 (A327)	FIRE BTL SWITCH	W647	25-6	FIRE DETECTION AND EXTINGUISHING
S1 (A331)	TALL WHEEL SWITCH	W645	15-1	HYDRAULIC
S1 (A332)	HARS ALIGN SWITCH	W644	20-4	HARS
S1 (A334)	CPG CLTV DECOUPLER SWITCH	W638	12-1	DASE (BUCS DEACTIVATED)
S1 (A334)	CPG CLTV DECOUPLER SWITCH	W638	12-2	DASE (BUCS ACTIVATED)
S1 (A334)	CPG CYCLIC LONG (PITCH) DECOUPLER SWITCH	W638	12-1	DASE (BUCS DEACTIVATED)

WIRING DIAGRAM DIRECTORY (cont)

<u>REFDES</u>	<u>COMPONENT</u>	<u>CABLE</u>	<u>PARAGRAPH</u>	<u>WIRING DIAGRAM</u>
S1 (A334)	CPG CYCLIC LONG (PITCH) DECOUPLER SWITCH	W638	12-2	DASE (BUCS ACTIVATED)
S1 (A334)	CPG CYCLIC LATL (ROLL) DECOUPLER SWITCH	W638	12-1	DASE (BUCS DEACTIVATED)
S1 (A334)	CPG CYCLIC LATL (ROLL) DECOUPLER SWITCH	W638	12-2	DASE (BUCS ACTIVATED)
S1 (A334)	CPG CYCLIC YAW (DIR) DECOUPLER SWITCH	W638	12-1	DASE (BUCS DEACTIVATED)
S1 (A334)	CPG CYCLIC YAW (DIR) DECOUPLER SWITCH	W638	12-2	DASE (BUCS ACTIVATED)
S1 (A334)	PILOT CLTV DECOUPLER SWITCH	W638	12-1	DASE (BUCS DEACTIVATED)
S1 (A334)	PILOT CLTV DECOUPLER SWITCH	W638	12-2	DASE (BUCS ACTIVATED)
S1 (A334)	PILOT CYCLIC LONG (PITCH) DECOUPLER SWITCH	W638	12-1	DASE (BUCS DEACTIVATED)
S1 (A334)	PILOT CYCLIC LONG (PITCH) DECOUPLER SWITCH	W638	12-2	DASE (BUCS ACTIVATED)
S1 (A334)	PILOT CYCLIC LATL (ROLL) DECOUPLER SWITCH	W638	12-1	DASE (BUCS DEACTIVATED)
S1 (A334)	PILOT CYCLIC LATL (ROLL) DECOUPLER SWITCH	W638	12-2	DASE (BUCS ACTIVATED)
S1 (A334)	PILOT CYCLIC YAW (DIR) DECOUPLER SWITCH	W638	12-1	DASE (BUCS DEACTIVATED)
S1 (A334)	PILOT CYCLIC YAW (DIR) DECOUPLER SWITCH	W638	12-2	DASE (BUCS ACTIVATED)
S1 (A400)	ASE RELEASE SWITCH	W255	12-1	DASE (BUCS DEACTIVATED)
S1 (A400)	ASE RELEASE SWITCH	W255	12-2	DASE (BUCS ACTIVATED)

WIRING DIAGRAM DIRECTORY (cont)

REFDES	COMPONENT	CABLE	PARAGRAPH	WIRING DIAGRAM
S1 (A401)	ASE RELEASE SWITCH	W117	12-1	DASE (BUCS DEACTIVATED)
S1 (A401)	ASE RELEASE SWITCH	W117	12-2	DASE (BUCS ACTIVATED)
S1 (A417)	WSHLD WIPER SWITCH	W622	25-5	WINDSHIELD WIPERS
S1 (A424)	RH TENSIONER SWITCH	W654	4-1	AREA WEAPON SYSTEM (AWS)
S1 (A425)	LH TENSIONER SWITCH	W653	4-1	AREA WEAPON SYSTEM (AWS)
S1 (A57)	REFUEL VALVE SWITCH	W608	13-4	PRESSURE REFUELING/DEFUELING
S1 (A641)	RESET SWITCH	W648	12-4	STABILATOR
S1 (A76)	EDGE LIGHT SWITCH	W605	9-19	EDGE LIGHTS
S1 (A80)	SEARCH LIGHT CONTROL SWITCH	W119	9-24	LANDING/SEARCH LIGHTS
S1 (A81)	SEARCH LIGHT CONTROL SWITCH	W119	9-24	LANDING/SEARCH LIGHTS
S1 (A94)	L OUTBD SWITCH	W617	11-2	EXTERNAL STORES JETTISON
S1 (L7)	SWITCH	W110	8-1	DRIVE SYSTEM
S103	CPG RH CANOPY INTERLOCK SWITCH	W118	9-18	CAUTION AND WARNING
S103 SP1	SPLICE	W118	9-18	CAUTION AND WARNING
S103 SP2	SPLICE	W118	9-18	CAUTION AND WARNING
S104	PILOT RH CANOPY INTERLOCK SWITCH	W118	9-18	CAUTION AND WARNING
S104 SP1	SPLICE	W118	9-18	CAUTION AND WARNING
S104 SP2	SPLICE	W118	9-18	CAUTION AND WARNING
S11	CHAFF SAFETY SWITCH	W170	7-1	CHAFF DISPENSER
S11 (A29)	LH RELEASE SWITCH	W119	23-1	POWER PLANTS

WIRING DIAGRAM DIRECTORY (cont)

REFDES	COMPONENT	CABLE	PARAGRAPH	WIRING DIAGRAM
S11 (A80)	SWITCH	W119	12-1	DASE (BUCS DEACTIVATED)
S11 (A80)	SWITCH	W119	12-2	DASE (BUCS ACTIVATED)
S11 EC1	END CAP	W170	7-1	CHAFF DISPENSER
S11 SP1	SPLICE	W170	7-1	CHAFF DISPENSER
S11 SP2	SPLICE	W170	7-1	CHAFF DISPENSER
S11 SP3	SPLICE	W170	7-1	CHAFF DISPENSER
S113 (A29)	ENGINE 1 DISABLE SWITCH	W119	23-1	POWER PLANTS
S114 (A29)	ENGINE 2 DISABLE SWITCH	W119	23-1	POWER PLANTS
S12 (A29)	RH RELEASE SWITCH	W119	23-1	POWER PLANTS
S121 (A24)	MASTER IGNITION SWITCH	W119	23-1	POWER PLANTS
S126	ENGINE 2 THERMAL SWITCH	W166	25-2	ENGINE ANTI-ICE
S127	ENGINE 1 THERMAL SWITCH	W165	25-2	ENGINE ANTI-ICE
S128	PYLON ACTG SWITCH	W117	11-1	EXTERNAL STORES CONTROL
S13	EXT PWR RECPT DOOR SWITCH	W108	9-3	EXTERNAL POWER AND GROUND SERVICE UTILITY CONNECTOR
S13	EXT PWR RECPT DOOR SWITCH	W108	9-18	CAUTION AND WARNING
S132	SDC TEMP SENSOR	W102	5-1	AUXILIARY POWER UNIT (APU)
S132	SDC TEMP SENSOR	W102	15-2	PRESSURIZED AIR SYSTEM (PAS)
S14	SDC OUTLET PRESSURE SWITCH	W102	5-1	AUXILIARY POWER UNIT (APU)

WIRING DIAGRAM DIRECTORY (cont)

<u>REFDES</u>	<u>COMPONENT</u>	<u>CABLE</u>	<u>PARAGRAPH</u>	<u>WIRING DIAGRAM</u>
S14	SDC OUTLET PRESSURE SWITCH	W102	15-2	PRESSURIZED AIR SYSTEM (PAS)
S14 SP1	SPLICE	W102	5-1	AUXILIARY POWER UNIT (APU)
S14 SP1	SPLICE	W102	15-2	PRESSURIZED AIR SYSTEM (PAS)
S14 SP2	SPLICE	W102	5-1	AUXILIARY POWER UNIT (APU)
S14 SP2	SPLICE	W102	15-2	PRESSURIZED AIR SYSTEM (PAS)
S15	LOW OIL PRESSURE SWITCH	W110	9-18	CAUTION AND WARNING
S15 SP1	SPLICE	W110	9-18	CAUTION AND WARNING
S15 SP2	SPLICE	W110	9-18	CAUTION AND WARNING
S16	HOT OIL TEMP AND CHIP DETECTOR	W110	9-18	CAUTION AND WARNING
S17	HOT OIL TEMP AND CHIP DETECTOR	W110	9-18	CAUTION AND WARNING
S17 SP1	SPLICE	W110	9-18	CAUTION AND WARNING
S17 SP2	SPLICE	W110	9-18	CAUTION AND WARNING
S17 SP3	SPLICE	W110	9-18	CAUTION AND WARNING
S18	LOW OIL PRESSURE SWITCH	W110	9-18	CAUTION AND WARNING
S18 SP1	SPLICE	W110	9-18	CAUTION AND WARNING
S18 SP2	SPLICE	W110	9-18	CAUTION AND WARNING
S2	EMERG HYD SWITCH	W119	15-1	HYDRAULIC
S2 (A125)	GEN 1/TEST SWITCH	W119	9-1	AC ELECTRICAL POWER GENERATION
S2 (A131)	BOOST PUMP SWITCH	W612	13-2	FUEL CROSSFEED/BOOST
S2 (A133)	NAVIGATION LIGHTS SWITCH	W629	9-22	ANTI-COLLISION LIGHTS

WIRING DIAGRAM DIRECTORY (cont)

<u>REFDES</u>	<u>COMPONENT</u>	<u>CABLE</u>	<u>PARAGRAPH</u>	<u>WIRING DIAGRAM</u>
S2 (A133)	NAVIGATION LIGHTS SWITCH	W625	9-25	NAVIGATION LIGHTS
S2 (A135)	PITOT ICE DET AD SNSR SWITCH	W614	25-4	PITOT ANTI-ICE
S2 (A137)	BUGS SELF TEST SWITCH	W611	12-1	DASE (BUCS DEACTIVATED)
S2 (A137)	BUCS SELF TEST SWITCH	W611	12-2	DASE (BUCS ACTIVATED)
S2 (A138)	FIRE BTL SWITCH	W616	25-6	FIRE DETECTION AND EXTINGUISHING
S2 (A139)	STBY FAN SWITCH	W609	10-1	ENVIRONMENTAL CONTROL SYSTEM (ECS)
S2 (A179)	BOOST PUMP SWITCH	W618	13-2	FUEL CROSSFEED/BOOST
S2 (A322)	ENG 1 FIRE PULL SWITCH	W643	25-6	FIRE DETECTION AND EXTINGUISHING
S2 (A327)	ENG 1 FIRE PULL SWITCH	W647	25-6	FIRE DETECTION AND EXTINGUISHING
S2 (A334)	CPG CLTV DECOUPLER SWITCH	W638	12-1	DASE (BUCS DEACTIVATED)
S2 (A334)	CPG CLTV DECOUPLER SWITCH	W638	12-2	DASE (BUCS ACTIVATED)
S2 (A334)	CPG CYCLIC LONG (PITCH) DECOUPLER SWITCH	W638	12-1	DASE (BUCS DEACTIVATED)
S2 (A334)	CPG CYCLIC LONG (PITCH) DECOUPLER SWITCH	W638	12-2	DASE (BUCS ACTIVATED)
S2 (A334)	CPG CYCLIC LATL (ROLL) DECOUPLER SWITCH	W638	12-1	DASE (BUCS DEACTIVATED)
S2 (A334)	CPG CYCLIC LATL (ROLL) DECOUPLER SWITCH	W638	12-2	DASE (BUCS ACTIVATED)
S2 (A334)	CPG CYCLIC YAW (DIR) DECOUPLER SWITCH	W638	12-1	DASE (BUCS DEACTIVATED)

WIRING DIAGRAM DIRECTORY (cont)

WIRING DIAGRAM DIRECTORY (cont)

REFDES	COMPONENT	CABLE	PARAGRAPH	WIRING DIAGRAM
S2 (A334)	CPG CYCLIC YAW (DIR) DECOUPLER SWITCH	W638	12-2	DASE (BUCS ACTIVATED)
S2 (A334)	PILOT CLTV DECOUPLER SWITCH	W638	12-1	DASE (BUCS DEACTIVATED)
S2 (A334)	PILOT CLTV DECOUPLER SWITCH	W638	12-2	DASE (BUCS ACTIVATED)
S2 (A334)	PILOT CYCLIC LATL (ROLL) DECOUPLER SWITCH	W638	12-1	DASE (BUCS DEACTIVATED)
S2 (A334)	PILOT CYCLIC LATL (ROLL) DECOUPLER SWITCH	W638	12-2	DASE (BUCS ACTIVATED)
S2 (A334)	PILOT CYCLIC LONG (PITCH) DECOUPLER SWITCH	W638	12-1	DASE (BUCS DEACTIVATED)
S2 (A334)	PILOT CYCLIC LONG (PITCH) DECOUPLER SWITCH	W638	12-2	DASE (BUCS ACTIVATED)
S2 (A334)	PILOT CYCLIC YAW (DIR) DECOUPLER SWITCH	W638	12-1	DASE (BUCS DEACTIVATED)
S2 (A334)	PILOT CYCLIC YAW (DIR) DECOUPLER SWITCH	W638	12-2	DASE (BUCS ACTIVATED)
S2 (A400)	RADIO/ICS SWITCH	W255	6-1	INTERCOMMUNICATION
S2 (A401)	RADIO/ICS SWITCH	W117	6-1	INTERCOMMUNICATION
S2 (A417)	TADS/PNVS SWITCH	W622	25-7	TAD/PNVS ANTI-ICE CONTROLS
S2 (A57)	LVL CONT VLV FWD TNK SWITCH	W608	13-4	PRESSURE REFUELING/DEFUELING
S2 (A641)	NOSE UP/NOSE DOWN SWITCH	W648	12-4	STABILATOR
S2 (A94)	L INBD SWITCH	W617	11-2	EXTERNAL STORES JETTISON
S2 (L8)	SWITCH	W110	8-1	DRIVE SYSTEM

REFDES	COMPONENT	CABLE	PARAGRAPH	WIRING DIAGRAM
S2 SP1 (A322)	SPLICE	W643	25-6	FIRE DETECTION AND EXTINGUISHING
S2 SP1 (A327)	SPLICE	W647	25-6	FIRE DETECTION AND EXTINGUISHING
S2 SP2 (A322)	SPLICE	W643	25-6	FIRE DETECTION AND EXTINGUISHING
S2 SP2 (A327)	SPLICE	W647	25-6	FIRE DETECTION AND EXTINGUISHING
S20	ACC PUMP OIL PRESSURE SWITCH	W110	9-18	CAUTION AND WARNING
S20 SP1	SPLICE	W110	9-18	CAUTION AND WARNING
S20 SP2	SPLICE	W110	9-18	CAUTION AND WARNING
S23	CHIP DETECTOR (ENGINE 1 NOSE GEARBOX)	W161	9-18	CAUTION AND WARNING
S23	OIL TEMP SWITCH (ENGINE 1 NOSE GEARBOX)	W161	9-18	CAUTION AND WARNING
S24	CHIP DETECTOR (ENGINE 2 NOSE GEARBOX)	W162	9-18	CAUTION AND WARNING
S24	OIL TEMP (ENGINE 2 NOSE GEARBOX)	W162	9-18	CAUTION AND WARNING
S25	OIL PRESSURE SWITCH (ENGINE 1 NOSE GEARBOX)	W161	9-18	CAUTION AND WARNING
S25 SP1	SPLICE (ENGINE 1 NOSE GEARBOX)	W161	9-18	CAUTION AND WARNING
S25 SP2	SPLICE (ENGINE 1 NOSE GEARBOX)	W161	9-18	CAUTION AND WARNING
S26	OIL PRESSURE (ENGINE 2 NOSE GEARBOX)	W162	9-18	CAUTION AND WARNING
S26 SP1	SPLICE (ENGINE 2 NOSE GEARBOX)	W162	9-18	CAUTION AND WARNING

WIRING DIAGRAM DIRECTORY (cont)

REFDES	COMPONENT	CABLE	PARAGRAPH	WIRING DIAGRAM
S26 SP2	SPLICE (ENGINE 2 NOSE GEARBOX)	W162	9-18	CAUTION AND WARNING
S27	THERMAL SWITCH	W119	10-1	ENVIRONMENTAL CONTROL SYSTEM (ECS)
S29	THERMAL SWITCH	W119	10-1	ENVIRONMENTAL CONTROL SYSTEM (ECS)
S29 SP1	SPLICE	W119	10-1	ENVIRONMENTAL CONTROL SYSTEM (ECS)
S3 (A110)	VHF CPG	W627	6-4	VHF AM-FM RADIO SET
S3 (A125)	EXT PWR RESET SWITCH	W610	9-3	EXTERNAL POWER AND GROUND SERVICE UTILITY CONNECTOR
S3 (A131)	TRANS SWITCH	W612	13-3	FUEL QUANTITY INDICATION/TRANSFER
S3 (A133)	ANTI-COL SWITCH	W625	9-22	ANTI-COLLISION LIGHTS
S3 (A135)	TADS/PNVS HEATER SWITCH	W614	25-1	CANOPY DEFOG AND ANTI-ICE
S3 (A135)	TADS/PNVS HEATER SWITCH	W614	25-7	TADS/PNVS ANTI-ICE CONTROLS
S3 (A137)	ROLL SWITCH	W611	12-1	DASE (BUCS DEACTIVATED)
S3 (A137)	ROLL SWITCH	W611	12-2	DASE (BUCS ACTIVATED)
S3 (A138)	APU START/RUN SWITCH	W616	5-1	AUXILIARY POWER UNIT (APU)
S3 (A179)	TRANS SWITCH	W618	13-3	FUEL QUANTITY INDICATION/TRANSFER
S3 (A322)	ENG 2 FIRE PULL SWITCH	W643	25-6	FIRE DETECTION AND EXTINGUISHING
S3 (A327)	ENG 2 FIRE PULL SWITCH	W647	25-6	FIRE DETECTION AND EXTINGUISHING
S3 (A400)	TRIM AND FORCE RELEASE SWITCH (CPG)	W255	12-3	FORCE TRIM

WIRING DIAGRAM DIRECTORY (cont)

REFDES	COMPONENT	CABLE	PARAGRAPH	WIRING DIAGRAM
S3 (A401)	TRIM AND FORCE RELEASE SWITCH (PILOT)	W117	12-3	FORCE TRIM
S3 (A417)	STBY FAN SWITCH	W622	10-1	ENVIRONMENTAL CONTROL SYSTEM (ECS)
S3 (A57)	LVL CONT VLV AFT TNK SWITCH	W608	13-4	PRESSURE REFUELING/DEFUELING
S3 (A94)	R INBD SWITCH	W617	11-2	EXTERNAL STORES JETTISON
S3 (HR7)	TEMPERATURE SENSOR	W119	25-1	CANOPY DEFOG AND ANTI-ICE
S3 SP1 (A322)	SPLICE	W643	25-6	FIRE DETECTION AND EXTINGUISHING
S3 SP2 (A322)	SPLICE	W643	25-6	FIRE DETECTION AND EXTINGUISHING
S3 SP1 (A327)	SPLICE	W647	25-6	FIRE DETECTION AND EXTINGUISHING
S3 SP2 (A327)	SPLICE	W647	25-6	FIRE DETECTION AND EXTINGUISHING
S30	THERMAL RH FAB SWITCH	W118	9-18	CAUTION AND WARNING
S30	THERMAL RH FAB SWITCH	W118	10-1	ENVIRONMENT CONTROL SYSTEM (ECS)
S300	PILOT RADIO TRANSMIT FOOT SWITCH	W266	6-1	INTERCOMMUNICATION
S301	CPG ICS TRANSMIT FOOT SWITCH	W255	6-1	INTERCOMMUNICATION
S302 (H302)	TRANSMITTER SWITCH		6-1	INTERCOMMUNICATION
S302 (H303)	TRANSMITTER SWITCH		6-1	INTERCOMMUNICATION
S303	CPG RADIO TRANSMIT FOOT SWITCH	W119	6-1	INTERCOMMUNICATION
S31	THERMAL LH FAB SWITCH	W119	9-18	CAUTION AND WARNING

WIRING DIAGRAM DIRECTORY (cont)

WIRING DIAGRAM DIRECTORY (cont)

REFDES	COMPONENT	CABLE	PARAGRAPH	WIRING DIAGRAM
S31	THERMAL LH FAB SWITCH	W119	10-1	ENVIRONMENTAL CONTROL SYSTEM (ECS)
S33 (A24)	ENG 1 START/CLEAR SWITCH	W119	23-1	POWER PLANTS
S34 (A24)	ENG 2 START/CLEAR SWITCH	W119	23-1	POWER PLANTS
S350	SQUAT SWITCH	W119	3-1	AERIAL ROCKET CONTROL SYSTEM (ARCS)
S350	SQUAT SWITCH	W119	4-1	AREA WEAPON SYSTEM (AWS)
S350	SQUAT SWITCH	W119	6-1	INTERCOMMUNICATION
S350	SQUAT SWITCH	W119	9-28	SQUAT SWITCH
S350	SQUAT SWITCH	W119	11-1	EXTERNAL STORES CONTROL
S350	SQUAT SWITCH	W119	12-1	DASE (BUCS DEACTIVATED)
S350	SQUAT SWITCH	W119	12-2	DASE (BUCS ACTIVATED)
S350	SQUAT SWITCH	W119	16-1	IFF
S350 SP1	SPLICE	W119	3-1	AERIAL ROCKET CONTROL SYSTEM (ARCS)
S350 SP1	SPLICE	W119	4-1	AREA WEAPON SYSTEM (AWS)
S350 SP1	SPLICE	W119	6-1	INTERCOMMUNICATION
S350 SP1	SPLICE	W119	9-28	SQUAT SWITCH
S350 SP1	SPLICE	W119	11-1	EXTERNAL STORES CONTROL
S350 SP1	SPLICE	W119	12-1	DASE (BUCS DEACTIVATED)
S350 SP1	SPLICE	W119	12-2	DASE (BUCS ACTIVATED)
S350 SP1	SPLICE	W119	16-1	IFF
S350 SP2	SPLICE	W119	3-1	AERIAL ROCKET CONTROL SYSTEM (ARCS)

REFDES	COMPONENT	CABLE	PARAGRAPH	WIRING DIAGRAM
S350 SP2	SPLICE	W119	4-1	AREA WEAPON SYSTEM (SWS)
S350 SP2	SPLICE	W119	6-1	INTERCOMMUNICATION
S350 SP2	SPLICE	W119	9-28	SQUAT SWITCH
S350 SP2	SPLICE	W119	11-1	EXTERNAL STORES CONTROL
S350 SP2	SPLICE	W119	12-1	DASE (BUCS DEACTIVATED)
S350 SP2	SPLICE	W119	12-2	DASE (BUCS ACTIVATED)
S350 SP2	SPLICE	W119	16-1	IFF
S4 (A110)	UHF SWITCH	W627	6-3	UHF-AM RADIO SET
S4 (A125)	BATT/EXT PWR SWITCH	W610	9-3	EXTERNAL POWER AND GROUND SERVICE UTILITY CONNECTOR
S4 (A125)	BATT/EXT PWR SWITCH	W610	9-4	BATTERY AND BATTERY CHARGER
S4 (A131)	EXT TK SWITCH	W612	13-1	AUXILIARY FUEL
S4 (A135)	CANOPY DEFOG SWITCH	W614	25-1	CANOPY DEFOG AND ANTI-ICE
S4 (A135)	CANOPY DEFOG SWITCH	W614	25-7	TADS/PNVS ANTI-ICE CONTROLS
S4 (A137)	NOE/APPR SWITCH	W611	12-1	DASE (BUCS DEACTIVATED)
S4 (A137)	NOE/APPR SWITCH	W611	12-2	DASE (BUCS ACTIVATED)
S4 (A137)	NOE/APPR SWITCH	W611	12-4	STABILATOR
S4 (A138)	FIRE DETECTOR TEST SWITCH	W616	25-6	FIRE DETECTION AND EXTINGUISHING
S4 (A179)	ORIDE SWITCH	W618	13-2	FUEL CROSSFEED/BOOST
S4 (A179)	ORIDE SWITCH	W618	13-3	FUEL QUANTITY INDICATION/TRANSFER

WIRING DIAGRAM DIRECTORY (cont)

<u>REFDES</u>	<u>COMPONENT</u>	<u>CABLE</u>	<u>PARAGRAPH</u>	<u>WIRING DIAGRAM</u>
S4 (A400)	WEAPON ACTION GUN/MSL/RKT/CHAFF SWITCH	W255	3-1	AERIAL ROCKET CONTROL SYSTEM (ARCS)
S4 (A400)	WEAPON ACTION GUN/MSL/RKT/CHAFF SWITCH	W255	4-1	AREA WEAPON SYSTEM (AWS)
S4 (A400)	WEAPON ACTION GUN/MSL/RKT/CHAFF SWITCH	W255	7-1	CHAFF DISPENSER
S4 (A400)	WEAPON ACTION GUN/MSL/RKT)CHAFF SWITCH	W255	11-1	EXTERNAL STORES CONTROL
S4 (A400)	WEAPON ACTION GUN/MSL/RKT/CHAFF SWITCH	W255	14-1	HELLFIRE MISSILE
S4 (A401)	WEAPON ACTION GUN/MSL/RKT/CHAFF SWITCH	W117	3-1	AERIAL ROCKET CONTROL SYSTEM (ARCS)
S4 (A401)	WEAPON ACTION GUN/MSL/RKT/CHAFF SWITCH	W117	4-1	AREA WEAPON SYSTEM (AWS)
S4 (A401)	WEAPON ACTION GUN/MSL/RKT/CHAFF SWITCH	W117	7-1	CHAFF DISPENSER
S4 (A401)	WEAPON ACTION GUN/MSL/RKT/CHAFF SWITCH	W117	11-1	EXTERNAL STORES CONTROL
S4 (A401)	WEAPON ACTION GUN/MSL/RKT/CHAFF SWITCH	W117	14-1	HELLFIRE MISSILE
S4 (A57)	IND ON SWITCH	W608	13-4	PRESSURE REFUELING/DEFUELING
S4 (A80)	SEARCH LIGHT SWITCH	W119	9-24	LANDING/SEARCH LIGHTS
S4 (A81)	SEARCH LIGHT SWITCH	W119	9-24	LANDING/SEARCH LIGHTS
S4 (A94)	R OUTBD SWITCH	W617	11-2	EXTERNAL STORES JETTISON

WIRING DIAGRAM DIRECTORY (cont)

<u>REFDES</u>	<u>COMPONENT</u>	<u>CABLE</u>	<u>PARAGRAPH</u>	<u>WIRING DIAGRAM</u>
S4 (HR7)	TEMPERATURE SENSOR	W119	25-1	CANOPY DEFOG AND ANTI-ICE
S40 (A24)	ENGINE 2 INTERLOCK SWITCH	W119	15-1	HYDRAULIC
S5 (A110)	VHF PLT SWITCH	W627	6-4	VHF AM-FM RADIO SET
S5 (A131)	ENG 14-WAY FUEL VALVE ACTUATOR SWITCH	W612	13-2	FUEL CROSSFEED/BOOST
S5 (A135)	CANOPY HEATER SWITCH	W614	25-1	CANOPY DEFOG AND ANTI-ICE
S5 (A135)	CANOPY HEATER SWITCH	W614	25-7	TAD/PNVS ANTI-ICE CONTROLS
S5 (A137)	PITCH SWITCH	W611	12-1	DASE (BUCS DEACTIVATED)
S5 (A137)	PITCH SWITCH	W611	12-2	DASE (BUCS ACTIVATED)
S5 (A138)	COLD START SWITCH	W616	5-1	AUXILIARY POWER UNIT (APU)
S5 (A400)	WEAPON TRIGGER SWITCH	W255	3-1	AERIAL ROCKET CONTROL SYSTEM (ARCS)
S5 (A400)	WEAPON TRIGGER SWITCH	W255	4-1	AREA WEAPON SYSTEM (AWS)
S5 (A400)	WEAPON TRIGGER SWITCH	W255	11-1	EXTERNAL STORES CONTROL
S5 (A400)	WEAPON TRIGGER SWITCH	W255	14-1	HELLFIRE MISSILE
S5 (A401)	WEAPON TRIGGER SWITCH	W117	3-1	AERIAL ROCKET CONTROL SYSTEM (ARCS)
S5 (A401)	WEAPON TRIGGER SWITCH	W117	4-1	AREA WEAPON SYSTEM (AWS)
S5 (A401)	WEAPON TRIGGER SWITCH	W117	11-1	EXTERNAL STORES CONTROL
S5 (A401)	WEAPON TRIGGER SWITCH	W117	14-1	HELLFIRE MISSILE

WIRING DIAGRAM DIRECTORY (cont)

<u>REFDES</u>	<u>COMPONENT</u>	<u>CABLE</u>	<u>PARAGRAPH</u>	<u>WIRING DIAGRAM</u>
S56	AFT AVIONICS FAN BAY THERMOSTAT	W108	10-1	ENVIRONMENTAL CONTROL SYSTEM (ECS)
S6 (A110)	STEPPER SWITCH	W627	6-3	UHF-AM RADIO SET
S6 (A110)	STEPPER SWITCH	W627	6-4	VHF AM-FM RADIO SET AN/ARC-186 (ADH)
S6 (A110)	STEPPER SWITCH	W627	6-5	VHF AM-FM RADIO SET AN/ARC-186 AND AN/ARC-201A (ADI)
S6 (A131)	ENG 24-WAY FUEL VALVE ACTUATOR SWITCH	W612	13-2	FUEL CROSSFEED/BOOST
S6 (A135)	BLADE DE-ICE SWITCH	W614	25-3	ROTOR BLADES DE-ICE
S6 (A137)	ATTD/HOVER HOLD SWITCH	W661	12-1	DASE (BUCS DEACTIVATED)
S6 (A137)	ATTD/HOVER HOLD SWITCH	W611	12-2	DASE (BUCS ACTIVATED)
S6 (A417)	ADSS SWITCH	W622	2-1	AIR DATA SYSTEM (ADS)
S64	ISOLATION FUEL VALVE SWITCH (AFT TANK)	W268	13-4	PRESSURE REFUELING/DEFUELING
S65	ISOLATION FUEL VALVE SWITCH (FWD TANK)	W118	13-4	PRESSURE REFUELING/DEFUELING
S67	BOOST PUMP PRESSURE SWITCH	W268	13-2	FUEL CROSSFEED/BOOST
S67 SP1	SPLICE	W268	13-2	FUEL CROSSFEED/BOOST
S67 SP2	SPLICE	W268	13-2	FUEL CROSSFEED/BOOST
S7 (A135)	ENGINE INLET ANTI-ICE SWITCH	W614	25-2	ENGINE ANTI-ICE
S8 (A135)	ICE DETECTOR MANUAL OVERRIDE SWITCH	W614	25-3	ROTOR BLADES DE-ICE
S8 (A80)	PRIMARY STORES JTSN SWITCH	W119	11-2	EXTERNAL STORES JETTISON
S8 (A81)	PRIMARY STORES JTSN SWITCH	W119	11-2	EXTERNAL STORES JETTISON
S83 (A29)	EMERG HYD PWR SWITCH	W119	15-1	HYDRAULIC
S86 (A24)	RTR BK SWITCH	W119	15-1	HYDRAULIC

WIRING DIAGRAM DIRECTORY (cont)

<u>REFDES</u>	<u>COMPONENT</u>	<u>CABLE</u>	<u>PARAGRAPH</u>	<u>WIRING DIAGRAM</u>
S87 (A24)	ENGINE 1 INTERLOCK SWITCH	W119	15-1	HYDRAULIC
S88	ROTOR BRAKE PRESSURE SWITCH	W102	15-1	HYDRAULIC
S9 (A401)	REMOTE TRANSMITTER SELECTOR SWITCH	W117	6-3	UHF-AM RADIO SET
S9 (A401)	REMOTE TRANSMITTER SELECTOR SWITCH	W117	6-4	VHF AM-FM RADIO SET AN/ARC-186 (ADH)
S9 (A401)	REMOTE TRANSMITTER SELECTOR SWITCH	W117	6-5	VHF AM-FM RADIO SET AN/ARC-186 AND An/ARC-201A (ADI)
S9 (A80)	ENG 1 RUN/CHOP SWITCH	W119	23-1	POWER PLANTS
S9 (A81)	ENG 2 RUN/CHOP SWITCH	W119	23-1	POWER PLANTS
S90 (A335)	TEST SWITCH	W655	13-5	NITROGEN INERTING
S90 SP1	SPLICE	W655	13-5	NITROGEN INERTING
S90 SP2	SPLICE	W655	13-5	NITROGEN INERTING
SA	TEST SWITCH A	W613	23-1	POWER PLANTS
SB	TEST SWITCH B	W613	23-1	POWER PLANTS
SOL 1 (L7)	SOLENOID	W110	8-1	DRIVE SYSTEM
SOL 2 (L8)	SOLENOID	W110	8-1	DRIVE SYSTEM
SP1 (A135)	SPLICE	W614	25-1	CANOPY DEFOG AND ANTI-ICE
SP1 (A135)	SPLICE	W614	25-7	TADS/PNVS ANTI-ICE CONTROL
SP2 (A135)	SPLICE	W614	25-1	CANOPY DEFOG AND ANTI-ICE
SP2 (A135)	SPLICE	W614	25-7	TADS/PNVS ANTI-ICE CONTROL
SP4 (A135)	SPLICE	W614	25-5	WINDSHIELD WIPERS
SP5 (A135)	SPLICE	W614	25-5	WINDSHIELD WIPERS
SP7 (A135)	SPLICE	W614	25-3	ROTOR BLADES DE-ICE

WIRING DIAGRAM DIRECTORY (cont)

<u>REFDES</u>	<u>COMPONENT</u>	<u>CABLE</u>	<u>PARAGRAPH</u>	<u>WIRING</u>	<u>DIAGRAM</u>
SP1 (A417)	SPLICE	W622	25-7	TADS/PNVS ANTI-ICE CONTROL	
SQ1 (A333)	JETTISON FIRING CONTACT PIN	W650	11-2	EXTERNAL STORES JETTISON	
SR1	MAIN ROTOR SLIP RING ASSEMBLY/POWER DISTRIBUTION	W118	25-3	ROTOR BLADES DE-ICE	
SR2	TAIL ROTOR SLIP RING ASSEMBLY	W171	25-3	ROTOR BLADES DE-ICE	
T1	ISOLATION TRANSFORMER	W110	5-1	AUXILIARY POWER UNIT (APU)	
T1	ISOLATION TRANSFORMER	W110	8-1	DRIVE SYSTEM	
T1 (A323)	DASE EXCITATION TRANSFORMER	W642	12-1	DASE (BUCS DEACTIVATED)	
T1 (A342)	TRANSFORMER	W211	12-2	DASE (BUCS ACTIVATED)	
T1 (A402)	ENG 1 PWR AND XDCR-XFMR	W668	9-5	CIRCUIT PROTECTION (AC ESSENTIAL BUS 1-PILOT STATION)	
T1 (A402)	ENG 1 PWR & PRESS XDCR-XFMR	W668	23-1	POWER PLANTS	
T1 EC1 (A402)	ENG 1 PWR & PRESS XDCR-XFMR	W668	9--5	CIRCUIT PROTECTION (AC ESSENTIAL BUS 1-PILOT STATION)	
T1 EC2 (A402)	ENG 1 PWR & PRESS XDCR-XFMR	W668	9-5	CIRCUIT PROTECTION (AC ESSENTIAL BUS 1-PILOT STATION)	
T11	DLTU		19-1	MULTIPLEX	
T12	DLTU		19-1	MULTIPLEX	
T13	DLTU		19-1	MULTIPLEX	
T14	DLTU		19-1	MULTIPLEX	
T15	DLTU		19-1	MULTIPLEX	
T16	DLTU		19-1	MULTIPLEX	
T17	DLTU		19-1	MULTIPLEX	
T18	DLTU		19-1	MULTIPLEX	
T19	DLTU		19-1	MULTIPLEX	
T2 (A323)	DASE EXCITATION TRANSFORMER	W642	12-1	DASE (BUCS DEACTIVATED)	
T2 (A342)	TRANSFORMER	W211	12-2	DASE (BUCS ACTIVATED)	

WIRING DIAGRAM DIRECTORY (cont)

<u>REFDES</u>	<u>COMPONENT</u>	<u>CABLE</u>	<u>PARAGRAPH</u>	<u>WIRING</u>	<u>DIAGRAM</u>
T2 (A402)	ENG 2PWR & PRESS XDCR-XFMR	W668	23-1	POWER PLANTS	
T20	DLTU		19-1	MULTIPLEX	
T21	DLTU		19-1	MULTIPLEX	
T22	DLTU		19-1	MULTIPLEX	
T25	DLTU		19-1	MULTIPLEX	
T26	DLTU		19-1	MULTIPLEX	
T27	DLTU		19-1	MULTIPLEX	
T28	DLTU		19-1	MULTIPLEX	
T29	DLTU		19-1	MULTIPLEX	
T3 (A402)	TRANSFORMER	W668	9-5	CIRCUIT PROTECTION (AC ESSENTIAL BUS 1-PILOT STATION)	
T3 (A402)	TRANSFORMER	W668	12-4	STABILATOR	
T30	DLTU		19-1	MULTIPLEX	
T31	DLTU		19-1	MULTIPLEX	
T32	DLTU		19-1	MULTIPLEX	
T35	DLTU		19-1	MULTIPLEX	
T36	DLTU		19-1	MULTIPLEX	
T37	DLTU		19-1	MULTIPLEX	
T37	DLTU		20-3A	DOPPLER NAVIGATION AN/ASN-137 (ADD)	
T37	DLTU		20-7	DATA TRANSFER UNIT (ADD)	
T38	DLTU		19-1	MULTIPLEX	
T38	DLTU		20-3A	DOPPLER NAVIGATION AN/ASN-137 (ADD)	
T38	DLTU		20-7	DATA TRANSFER UNIT (ADD)	
T39	DLTU		19-1	MULTIPLEX	
T39	DLTU		20-3A	DOPPLER NAVIGATION AN/ASN-137 (ADD)	
T39	DLTU		20-8	EGI (ADD)	
T40	DLTU		19-1	MULTIPLEX	
T40	DLTU		20-3A	DOPPLER NAVIGATION AN/ASN-137 (ADD)	
T40	DLTU		20-8	EGI (ADD)	

WIRING DIAGRAM DIRECTORY (cont)

<u>REFDES</u>	<u>COMPONENT</u>	<u>CABLE</u>	<u>PARAGRAPH</u>	<u>WIRING DIAGRAM</u>
T5 (APU)	THERMOCOUPLE ALUMEL/CHROMEL	APU	5-1	AUXILIARY POWER UNIT (APU)
T69	DLTU		20-3	DOPPLER NAVIGATION AN/ASN-137 (ADC)
T69	DLTU		20-3A	DOPPLER NAVIGATION AN/ASN-137 (ADD)
T70	DLTU		20-3	DOPPLER NAVIGATION AN/ASN-137 (ADC)
T70	DLTU		20-3A	DOPPLER NAVIGATION AN/ASN-137 (ADD)
T71	DLTU		20-3	DOPPLER NAVIGATION AN/ASN-137 (ADC)
T71	DLTU		20-3A	DOPPLER NAVIGATION AN/ASN-137 (ADD)
T72	DLTU		20-3	DOPPLER NAVIGATION AN/ASN-137 (ADC)
T72	DLTU		20-3A	DOPPLER NAVIGATION AN/ASN-137 (ADD)
TB1 (A110)	TERMINAL BOARD	W627	6-3	UHF-AM RADIO SET
TB1 (A110)	TERMINAL BOARD	W627	6-4	VHF AM-FM RADIO SET AN/ARC-186 (ADH)
TB1 (A110)	TERMINAL BOARD	W627	6-5	VHF AM-FM RADIO SET AN/ARC-186 AND AN/RGC-201A (ADI)
TB1 (A336)	TERMINAL BOARD	W650	11-2	EXTERNAL STORES JETTISON
TB1-1 (A326)	TERMINAL BOARD	W646	13-3	FUEL QUANTITY INDICATION/TRANSFER
TB1-1 (A326)	TERMINALBOARD	W646	18-1	ENGINE INSTRUMENTS
TB1-1 (A330)	TERMINAL BOARD	W652	23-1	POWER PLANTS
TB1-1 (A342)	TERMINAL BOARD	W211	12-2	DASE (BUCS ACTIVATED)
TB1-1 (A402)	TERMINAL BOARD	W668	9-2	DC ELECTRICAL POWER GENERATION
TB1-1 (A94)	TERMINAL BOARD	W617	11-2	EXTERNAL STORES JETTISON
TB1-1/2 (A329)	TERMINALBOARD	W651	12-4	STABILATOR
TB1-1/2 (A700)	TERMINAL BOARD	W602	21-2	RADAR JAMMER AN/ALQ-136
TB1-1/2 (A701)	TERMINAL BOARD	W118	9-24	LANDING/SEARCH LIGHTS

WIRING DIAGRAM DIRECTORY (cont)

<u>REFDES</u>	<u>COMPONENT</u>	<u>CABLE</u>	<u>PARAGRAPH</u>	<u>WIRING DIAGRAM</u>
TB1-10 (A326)	TERMINAL BOARD	W646	9-18	CAUTION AND WARNING
TB1-10 (A326)	TERMINAL BOARD	W646	9-27	AUDIO WARNING
TB1-10 (A326)	TERMINAL BOARD	W646	12-4	STABILATOR
TB1-11 (A326)	TERMINAL BOARD	W646	3-1	AERIAL ROCKET CONTROL SYSTEM (ARCS)
TB1-11 (A326)	TERMINAL BOARD	W646	9-18	CAUTION AND WARNING
TB1-12 (A326)	TERMINAL BOARD	W646	8-1	DRIVE SYSTEM
TB1-12 (A326)	TERMINAL BOARD	W646	9-18	CAUTION AND WARNING
TB1-13 (A326)	TERMINAL BOARD	W646	12-4	STABILATOR
TB1-14 (A326)	TERMINAL BOARD	W646	10-1	ENVIRONMENTAL CONTROL SYSTEM (ECS)
TB1-15 (A326)	TERMINAL BOARD	W646	10-1	ENVIRONMENTAL CONTROL SYSTEM (ECS)
TB1-16 (A326)	TERMINAL BOARD	W646	10-1	ENVIRONMENTAL CONTROL SYSTEM (ECS)
TB1-16 (A326)	TERMINAL BOARD	W646	20-5	RADAR ALTIMETER (RADALT) SET
TB1-17 (A326)	TERMINAL BOARD	W646	9-27	AUDIO WARNING
TB1-17 (A326)	TERMINAL BOARD	W646	12-4	STABILATOR
TB1-17 (A326)	TERMINAL BOARD	W646	18-1	ENGINE INSTRUMENTS
TB1-18 (A326)	TERMINAL BOARD	W646	12-1	DASE (BUCS DEACTIVATED)
TB1-19 (A326)	TERMINAL BOARD	W646	12-1	DASE (BUCS DEACTIVATED)
TB1-19 (A326)	TERMINAL BOARD	W646	12-2	DASE (BUCS ACTIVATED)
TB1-2 (A323)	TERMINAL BOARD	W642	20-4	HARS
TB1-2 (A326)	TERMINAL BOARD	W646	9-18	CAUTION AND WARNING
TB1-2 (A326)	TERMINAL BOARD	W646	9-27	AUDIO WARNING

WIRING DIAGRAM DIRECTORY (cont)

REFDES	COMPONENT	CABLE	PARAGRAPH	WIRING DIAGRAM
TB1-2 (A330)	TERMINAL BOARD	W652	23-1	POWER PLANTS
TB1-2 (A402)	TERMINAL BOARD	W668	9-2	DC ELECTRONAL POWER GENERATION
TB1-20 (A326)	TERMINAL BOARD	W646	12-1	DASE (BUCS DEACTIVATED)
TB1-21 (A326)	TERMINAL BOARD	W646	12-1	DASE (BUCS DEACTIVATED)
TB1-21 (A326)	TERMINAL BOARD	W646	12-2	DASE (BUCS ACTIVATED)
TB1-22 (A326)	TERMINAL BOARD	W646	25-5	WINDSHIELD WIPERS
TB1-23 (A326)	TERMINAL BOARD	W646	9-24	LANDING/SEARCH LIGHTS
TB1-2/3 (A94)	TERMINAL BOARD	W617	11-2	EXTERNAL STORES JETTISON
TB1-24 (A326)	TERMINAL BOARD	W646	9-24	LANDING\SEARCH LIGHTS
TB1-25 (A326)	TERMINAL BOARD	W646	9-19	EDGE LIGHTS
TB1-25 (A326)	TERMINAL BOARD	W646	9-24	LANDING\SEARCH LIGHTS
TB1-26 (A326)	TERMINAL BOARD	W646	9-19	EDGE LIGHTS
TB1-27 (A326)	TERMINAL BOARD	W646	9-19	EDGE LIGHTS
TB1-28 (A326)	TERMINAL BOARD	W646	9-19	EDGE LIGHTS
TB1-29 (A326)	TERMINAL BOARD	W646	9-19	EDGE LIGHTS
TB1-3 (A323)	TERMINAL BOARD	W642	20-4	HARS
TB1-3 (A326)	TERMINAL BOARD	W646	18-1	ENGINE INSTRUMENTS
TB1-3 (A326)	TERMINAL BOARD	W646	18-1	ENGINE INSTRUMENTS
TB1-3 (A329)	TERMINAL BOARD	W651	12-4	STABILATOR

WIRING DIAGRAM DIRECTORY (cont)

REFDES	COMPONENT	CABLE	PARAGRAPH	WIRING DIAGRAM
TB1-3 (A330)	TERMINAL BOARD	W652	23-1	POWER PLANTS
TB1-2 (A337)	TERMINAL BOARD	W656	25-2	ENGINE ANTI-ICE
TB1-3 (A342)	TERMINAL BOARD	W211	12-2	DASE (BUCS ACTIVATED)
TB1-3 (A402)	TERMINAL BOARD	W668	9-2	DC ELECTRICAL POWER GENERATION
TB1-3 (A402)	TERMINAL BOARD	W668	9-3	EXTERNAL POWER AND GROUND SERVICE UTILITY CONNECTOR
TB1-3 (A700)	TERMINAL BOARD	W602	21-2	-RADAR JAMMER AN/ALQ-136
TB1-3 (A701)	TERMINAL BOARD	W118	9-24	LANDIN/SEARCH LIGHTS
TB1-30 (A326)	TERMINAL BOARD	W646	9-19	EDGE LIGHTS
TB1-31 (A326)	TERMINAL BOARD	W646	9-19	EDGE LIGHTS
TB1-32 (A326)	TERMINAL BOARD	W646	9-19	EDGE LIGHTS
TB1-33 (A326)	TERMINAL BOARD	W646	9-19	EDGE LIGHTS
TB1-34 (A326)	TERMINAL BOARD	W646	9-19	EDGE LIGHTS
TB1-35 (A326)	TERMINAL BOARD	W646	9-19	EDGE LIGHTS
TB1-36 (A326)	TERMINAL BOARD	W646	9-19	EDGE LIGHTS
TB1-37 (A326)	TERMINAL BOARD	W646	9-19	EDGE LIGHTS
TB1-38 (A326)	TERMINAL BOARD	W646	9-19	EDGE LIGHTS
TB1-39 (A326)	TERMINAL BOARD	W646	9-19	EDGE LIGHTS
TB1-4 (A323)	TERMINAL BOARD	W642	20-4	HARS

WIRING DIAGRAM DIRECTORY (cont)

WIRING DIAGRAM DIRECTORY (cont)

<u>REFDES</u>	<u>COMPONENT</u>	<u>CABLE</u>	<u>PARAGRAPH</u>	<u>WIRING DIAGRAM</u>
TB1-4 (A326)	TERMINAL BOARD	W646	9-27	AUDIO WARNING
TB1-4 (A326)	TERMINAL BOARD	W646	18-1	ENGINE INSTRUMENTS
TB1-4 (A326)	TERMINAL BOARD	W646	23-1	POWER PLANTS
TB1-4 (A329)	TERMINAL BOARD	W651	12-4	STABILATOR
TB1-4 (A330)	TERMINAL BOARD	W652	23-1	POWER PLANTS
TB1-4 (A342)	TERMINAL BOARD	W118	12-2	DASE (BUCS ACTIVATED)
TB1-4 (A94)	TERMINAL BOARD	W617	11-1	EXTERNAL STORES JETTISON
TB1-4/5 (A700)	TERMINAL BOARD	W602	2 1-2	RADAR JAMMER AN/ALQ-136
TB1-40 (A326)	TERMINAL BOARD	W646	9-19	EDGE LIGHTS
TB1-41 (A326)	TERMINAL BOARD	W646	9-19	EDGE LIGHTS
TB1-42 (A326)	TERMINAL BOARD	W646	9-19	EDGE LIGHTS
TB1-43 (A326)	TERMINAL BOARD	W646	9-19	EDGE LIGHTS
TB1-44 (A326)	TERMINAL BOARD	W646	9-19	EDGE LIGHTS
TB1-45 (A326)	TERMINAL BOARD	W646	9-19	EDGE LIGHTS
TB1-46 (A326)	TERMINAL BOARD	W646	9-19	EDGE LIGHTS
TB1-47 (A326)	TERMINAL BOARD	W646	9-19	EDGE LIGHTS
TB1-48 (A326)	TERMINAL BOARD	W646	9-19	EDGE LIGHTS
TB1-49 (A326)	TERMINAL BOARD	W646	9-19	EDGE LIGHTS
TB1-5 (A323)	TERMINAL BOARD	W642	2-1	AIR DATA SYSTEM (ADS)

<u>REFDES</u>	<u>COMPONENT</u>	<u>CABLE</u>	<u>PARAGRAPH</u>	<u>WIRING DIAGRAM</u>
TB1-5 (A323)	TERMINAL BOARD	W642	12-1	DASE (BUCS DEACTIVATED)
TB1-5 (A323)	TERMINAL BOARD	W642	12-2	DASE (BUCS ACTIVATED)
TB1-5 (A323)	TERMINAL BOARD	W642	12-4	STABILATOR
TB1-5 (A326)	TERMINAL BOARD	W646	9-27	AUDIO WARNING
TB1-5 (A326)	TERMINAL BOARD	W646	18-1	ENGINE INSTRUMENTS
TB1-5 (A326)	TERMINAL BOARD	W646	23-1	POWER PLANTS
TB1-5 (A329)	TERMINAL BOARD	W651	12-4	STABILATOR
TB1-5 (A330)	TERMINAL BOARD	W652	23-1	POWER PLANTS
TB1-50 (A326)	TERMINAL BOARD	W646	18-1	ENGINE INSTRUMENTS
TB1-51 (A326)	TERMINAL BOARD	W646	9-18	CAUTION AND WARNING
TB1-51 (A326)	TERMINAL BOARD	W646	9-27	AUDIO WARNING
TB1-51 (A326)	TERMINAL BOARD	W646	12-4	STABILATOR
TB1-51 (A326)	TERMINAL BOARD	W646	23-1	POWER PLANTS
TB1-52 (A326)	TERMINAL BOARD	W646	18-1	ENGINE INSTRUMENTS
TB1-53 (A326)	TERMINAL BOARD	W646	18-1	ENGINE INSTRUMENTS
TB1-6 (A326)	TERMINAL BOARD	W646	9-18	CAUTION AND WARNING
TB1-6 (A326)	TERMINAL BOARD	W646	18-1	ENGINE INSTRUMENTS
TB1-6 (A326)	TERMINAL BOARD	W646	23-1	POWER PLANTS
TB1-6 (A330)	TERMINAL BOARD	W652	23-1	POWER PLANTS
TB1-6 (A700)	TERMINAL BOARD	W602	21-2	RADAR JAMMER AN/ALQ-136
TB1-7 (A323)	TERMINAL BOARD	W642	12-4	STABILATOR

WIRING DIAGRAM DIRECTORY (cont)

REFDES	COMPONENT	CABLE	PARAGRAPH	WIRING DIAGRAM
TB1-7 (A330)	TERMINAL BOARD	W652	23-1	POWER PLANTS
TB1-7/8 (A326)	TERMINAL BOARD	W646	6-2	TSEC/KY-58 COMMUNICATIONS SECURITY EQUIPMENT
TB1-7/8 (A326)	TERMINAL BOARD	W646	6-4	VHF AM-FM RADIO SET
TB1-7/8 (A326)	TERMINAL BOARD	W646	20-5	RADAR ALTIMETER (RADALT) SET
TB1-8 (A323)	TERMINAL BOARD	W642	12-4	STABILATOR
TB1-8 (A330)	TERMINAL BOARD	W652	23-1	POWER PLANTS
TB1-9 (A326)	TERMINAL BOARD	W646	8-1	DRIVE SYSTEM
TB1-9 (A326)	TERMINAL BOARD	W646	18-1	ENGINE INSTRUMENTS
TB2 (A110)	TERMINAL BOARD	W627	6-1	INTERCOMMUNICATION
TB2 (A110)	TERMINAL BOARD	W627	6-3	UHF-AM RADIO SET
TB2 (A110)	TERMINAL BOARD	W627	6-4	VHF AM-FM RADIO SET
TB2 (A336)	TERMINAL BOARD	W650	11-2	EXTERNAL STORES JETTISON
TB2 EC1 (A402) (ACT)	END CAP	W668	3-1	AERIAL ROCKET CONTROL SYSTEM (ACRS)
TB2 EC1 (A402) (ACT)	END CAP	W668	4-1	AREA WEAPON SYSTEM (AWS)
TB2-1 (A323)	TERMINAL BOARD	W642	12-1	DASE (BUCS DEACTIVATED)
TB2-1 (A402)	TERMINAL BOARD	W668	9-1	AC ELECTRICAL POWER GENERATION
TB2-1 (A402)	TERMINAL BOARD	W668	19-1	MULTIPLEX
TB2-1 (A402)	TERMINAL BOARD	W668	25-2	ENGINE ANTI-ICE
TB2-10 (A402)	TERMINAL BOARD	W668	25-2	ENGINE ANTI-ICE
TB2-10 (A402)	TERMINAL BOARD	W668	10-1	ENVIRONMENTAL CONTROL SYSTEM (ECS)
TB2-10 (A402)	TERMINAL BOARD	W668	19-1	MULTIPLEX
TB2-10 (A402)	TERMINAL BOARD	W668	23-1	POWER PLANTS

WIRING DIAGRAM DIRECTORY (cont)

REFDES	COMPONENT	CABLE	PARAGRAPH	WIRING DIAGRAM
TB2-10 (A402)	TERMINAL BOARD	W668	25-2	ENGINE ANTI-ICE
TB2-11 (A402)	TERMINAL BOARD	W668	13-1	AUXILIARY FUEL
TB2-11 (A402)	TERMINAL BOARD	W668	13-4	PRESSURE REFUELING/DEFUELING
TB2-12 (A402)	TERMINAL BOARD	W668	5-1	AUXILIARY POWER UNIT (APU)
TB2-12 (A402)	TERMINAL BOARD	W668	9-18	CAUTION AND WARNING
TB2-12 (A402)	TERMINAL BOARD	W668	11-2	EXTERNAL STORES JETTISON
TB2-12 (A402)	TERMINAL BOARD	W668	13-1	AUXILIARY FUEL
TB2-12 (A402)	TERMINAL BOARD	W668	15-2	PRESSURIZED AIR SYSTEM (PAS)
TB2-12 (A402)	TERMINAL BOARD	W668	19-1	MULTIPLEX
TB2-12 (A402)	TERMINAL BOARD	W668	25-6	FIRE DETECTION AND EXTINGUISHING
TB2-13 (A402)	TERMINAL BOARD	W668	9-18	CAUTION AND WARNING
TB2-13 (A402)	TERMINAL BOARD	W668	13-2	FUEL CROSSFEED/BOOST
TB2-13 (A402)	TERMINAL BOARD	W668	13-3	FUEL QUANTITY INDICATION/TRANSFER
TB2-13 (A402)	TERMINAL BOARD	W668	13-4	PRESSURE REFUELING/DEFUELING
TB2-14 (A402)	TERMINAL BOARD	W668	18-2	NAVIGATION INSTRUMENTS
TB2-14 (A402)	TERMINAL BOARD	W668	20-4	HARS
TB2-14 (A402)	TERMINAL BOARD	W668	25-2	ENGINE ANTI-ICE

WIRING DIAGRAM DIRECTORY (cont)

WIRING DIAGRAM DIRECTORY (cont)

REFDES	COMPONENT	CABLE	PARAGRAPH	WIRING DIAGRAM
TB2-14 (A402)	TERMINAL BOARD	W668	25-4	PITOT ANTI-ICE
TB2-15 (A323)	TERMINAL BOARD	W642	12-1	DASE (BUCS DEACTIVATED)
TB2-15 (A402)	TERMINAL BOARD	W668	3-1	AERIAL ROCKET CONTROL SYSTEM (ARCS)
TB2-15 (A402)	TERMINAL BOARD	W668	4-1	AREA WEAPON SYSTEM (AWS)
TB2-15 (A402)	TERMINAL BOARD	W668	6-1	INTERCOMMUNICATION
TB2-15 (A402)	TERMINAL BOARD	W668	9-14	CIRCUIT PROTECTION (DC EMERGENCY BUS - PILOT STATION)
TB2-15 (A402)	TERMINAL BOARD	W668	9-28	SQUAT SWITCH
TB2-15 (A402)	TERMINAL BOARD	W668	11-1	EXTERNAL STORES CONTROL
TB2-15 (A402)	TERMINAL BOARD	W668	12-1	DASE (BUCS DEACTIVATED)
TB2-15 (A402)	TERMINAL BOARD	W668	12-2	DASE (BUCS ACTIVATED)
TB2-15 (A402)	TERMINAL BOARD	W668	16-1	IFF
TB2-16 (A402)	TERMINAL BOARD	W668	14-1	HELLFIRE MISSILE
TB2-17 (A402)	TERMINAL BOARD	W668	9-18	CAUTION AND WARNING
TB2-18/19 (A402)	TERMINAL BOARD	W668	14-1	HELLFIRE MISSILE
TB2-2 (A323)	TERMINAL BOARD	W642	12-4	STABILATOR
TB2-2 (A402)	TERMINAL BOARD	W668	5-1	AUXILIARY POWER UNIT (APU)
TB2-2 (A402)	TERMINAL BOARD	W668	9-1	AC ELECTRICAL POWER GENERATION

REFDES	COMPONENT	CABLE	PARAGRAPH	WIRING DIAGRAM
TB2-2 (A402)	TERMINAL BOARD	W668	19-1	MULTIPLEX
TB2-20 (A402)	TERMINAL BOARD	W668	4-1	AREA WEAPON SYSTEM (AWS)
TB2-20 (A402)	TERMINAL BOARD	W668	9-11	CIRCUIT PROTECTION (DC ESSENTIAL BUS 2 - PILOT STATION)
TB2-20 (A402)	TERMINAL BOARD	W668	11-1	EXTERNAL STORES CONTROL
TB2-20 (A402)	TERMINAL BOARD	W668	14-1	HELLFIRE MISSILE
TB2-20 (A402)	TERMINAL BOARD	W668	19-1	MULTIPLEX
TB2-21 (A402)	TERMINAL BOARD	W668	12-4	STABILATOR
TB2-22 (A402)	TERMINAL BOARD	W668	9-12	CIRCUIT PROTECTION (DC ESSENTIAL BUS 3 - PILOT STATION)
TB2-22 (A402)	TERMINAL BOARD	W668	12-4	STABILATOR
TB2-23 (A402)	TERMINAL BOARD	W668	9-9	CIRCUIT PROTECTION (DC ESSENTIAL BUS 1 - PILOT STATION)
TB2-23 (A402)	TERMINAL BOARD	W668	12-4	STABILATOR
TB2-24 (A402)	TERMINAL BOARD	W668	9-9	CIRCUIT PROTECTION (DC ESSENTIAL BUS 1 - PILOT STATION)
TB2-24 (A402)	TERMINAL BOARD	W668	12-4	STABILATOR
TB2-24 (A402)	TERMINAL BOARD	W668	12-4	STABILATOR
TB2-25 (A402)	TERMINAL BOARD	W668	12-4	STABILATOR
TB2-26/27 (A402)	TERMINAL BOARD	W668	12-4	STABILATOR
TB2-26/27 (A402)	TERMINAL BOARD	W668	25-6	FIRE DETECTION AND EXTINGUISHING

WIRING DIAGRAM DIRECTORY (cont)

REFDES	COMPONENT	CABLE	PARAGRAPH	WIRING DIAGRAM
TB2-28 (A402)	TERMINAL BOARD	W668	3-1	AERIAL ROCKET CONTROL SYSTEM (ARCS)
TB2-28 (A402)	TERMINAL BOARD	W668	4-1	AREA WEAPON SYSTEM (AWS)
TB2-28 (A402)	TERMINAL BOARD	W668	9-1	AC ELECTRICAL POWER GENERATION
TB2-28 (A402)	TERMINAL BOARD	W668	9-11	CIRCUIT PROTECTION (DC ESSENTIAL BUS 2 - PILOT STATION)
TB2-28 (A402)	TERMINAL BOARD	W668	9-12	CIRCUIT PROTECTION (DC ESSENTIAL BUS 3 - PILOT STATION)
TB2-28 (A402)	TERMINAL BOARD	W668	9-28	SQUAT SWITCH
TB2-28 (A402)	TERMINAL BOARD	W668	11-1	EXTERNAL STORES CONTROL
TB2-28 (A402)	TERMINAL BOARD	W668	12-3	FORCE TRIM
TB2-28 (A402)	TERMINAL BOARD	W668	14-1	HELLFIRE MISSILE
TB2-28 (A402)	TERMINAL BOARD	W668	16-1	IFF
TB2-28 (A402)	TERMINAL BOARD	W668	26-1	SYMBOL GENERATOR
TB2-29 (A402)	TERMINAL BOARD	W668	3-1	AERIAL ROCKET CONTROL SYSTEM (ARCS)
TB2-29 (A402)	TERMINAL BOARD	W668	4-1	AREA WEAPON SYSTEM (AWS)
TB2-29 (A402)	TERMINAL BOARD	W668	8-1	DRIVE SYSTEM
TB2-29 (A402)	TERMINAL BOARD	W668	9-11	CIRCUIT PROTECTION (DC ESSENTIAL BUS 2 - PILOT STATION)
TB2-29 (A402)	TERMINAL BOARD	W668	12-1	DASE (BUCS DEACTIVATED)

WIRING DIAGRAM DIRECTORY (cont)

REFDES	COMPONENT	CABLE	PARAGRAPH	WIRING DIAGRAM
TB2-29 (A402)	TERMINAL BOARD	W668	12-2	DASE (BUCS ACTIVATED)
TB2-29 (A402)	TERMINAL BOARD	W668	12-3	FORCE TRIM
TB2-29 (A402)	TERMINAL BOARD	W642	12-4	STABILATOR
TB2-29 (A402)	TERMINAL BOARD	W668	13-2	FUEL CROSSFEED/BOOST
TB2-29 (A402)	TERMINAL BOARD	W668	14-1	HELLFIRE MISSILE
TB2-29 (A402)	TERMINAL BOARD	W668	15-2	PRESSURIZED AIR SYSTEM (PAS)
TB2-29 (A402)	TERMINAL BOARD	W668	23-1	POWER PLANTS
TB2-3 (A323)	TERMINAL BOARD	W642	12-4	STABILATOR
TB2-3 (A402)	TERMINAL BOARD	W668	9-1	AC ELECTRICAL POWER GENERATION
TB2-3 (A402)	TERMINAL BOARD	W668	9-12	CIRCUIT PROTECTION (DC ESSENTIAL BUS 3 - PILOT STATION)
TB2-3 (A402)	TERMINAL BOARD	W668	12-1	DASE (BUCS DEACTIVATED)
TB2-3 (A402)	TERMINAL BOARD	W668	12-2	DASE (BUCS ACTIVATED)
TB2-30 (A402)	TERMINAL BOARD	W668	3-1	AERIAL ROCKET CONTROL SYSTEM (ARCS)
TB2-30 (A402)	TERMINAL BOARD	W668	7-1	CHAFF DISPENSER
TB2-30 (A402)	TERMINAL BOARD	W668	9-18	CAUTION AND WARNING
TB2-30 (A402)	TERMINAL BOARD	W668	25-2	ENGINE ANTI-ICE
TB2-31 (A402)	TERMINAL BOARD	W668	11-2	EXTERNAL STORES JETTISON

WIRING DIAGRAM DIRECTORY (cont)

WIRING DIAGRAM DIRECTORY (cont)

REFDES	COMPONENT	CABLE	PARAGRAPH	WIRING DIAGRAM
TB2-32 (A402)	TERMINAL BOARD	W668	13-3	FUEL QUANTITY INDICATION/TRANSFER
TB2-32 (A402)	TERMINAL BOARD	W668	13-4	PRESSURE REFUELING/DEFUELING
TB2-33 (A402)	TERMINAL BOARD	W668	9-3	EXTERNAL POWER AND GROUND SERVICE UTILITY CONNECTOR
TB2-33 (A402)	TERMINAL BOARD	W668	9-4	BATTERY AND BATTERY CHARGER
TB2-33 (A402)	TERMINAL BOARD	W668	9-14	CIRCUIT PROTECTION (DC EMERGENCY BUS - PILOT STATION)
TB2-33 (A402)	TERMINAL BOARD	W668	9-18	CAUTION AND WARNING
TB2-34/35 (A402)	TERMINAL BOARD	W668	10-1	ENVIRONMENTAL CONTROL SYSTEM (ECS)
TB2-34/35 (A402)	TERMINAL BOARD	W668	25-6	FIRE DETECTION AND EXTINGUISHING
TB2-4 (A402)	TERMINAL BOARD	W668	2-1	AIR DATA SYSTEM (ADS)
TB2-4 (A402)	TERMINAL BOARD	W668	9-5	CIRCUIT PROTECTION (AC ESSENTIAL BUS 1 - PILOT STATION)
TB2-4 (A402)	TERMINAL BOARD	W668	9-12	CIRCUIT PROTECTION (DC ESSENTIAL BUS 3 - PILOT STATION)
TB2-4 (A402)	TERMINAL BOARD	W668	9-18	CAUTION AND WARNING
TB2-4 (A402)	TERMINAL BOARD	W668	25-4	PITOT ANTI-ICE
TB2-4 (A402)	TERMINAL BOARD	W668	25-6	FIRE DETECTION AND EXTINGUISHING
TB2-4 SP1 (A402)	SPLICE	W668	25-6	FIRE DETECTION AND EXTINGUISHING
TB2-5 (A402)	TERMINAL BOARD	W668	25-6	FIRE DETECTION AND EXTINGUISHING

REFDES	COMPONENT	CABLE	PARAGRAPH	WIRING DIAGRAM
TB2-6 (A402)	TERMINAL BOARD	W668	5-1	AUXILIARY POWER UNIT (APU)
TB2-6 (A402)	TERMINAL BOARD	W668	9-9	CIRCUIT PROTECTION (DC ESSENTIAL BUS 1 - PILOT STATION)
TB2-6 (A402)	TERMINAL BOARD	W668	9-11	CIRCUIT PROTECTION (DC ESSENTIAL BUS 2 - PILOT STATION)
TB2-6 (A402)	TERMINAL BOARD	W668	15-2	PRESSURIZED AIR SYSTEM (PAS)
TB2-6 (A402)	TERMINAL BOARD	W668	25-7	TADS/PNVS ANTI-ICE CONTROLS
TB2-7 (A402)	TERMINAL BOARD	W668	9-12	CIRCUIT PROTECTION (DC ESSENTIAL BUS 3 - PILOT STATION)
TB2-7 (A402)	TERMINAL BOARD	W668	9-28	SQUAT SWITCH
TB2-7 (A402)	TERMINAL BOARD	W668	10-1	ENVIRONMENTAL CONTROL SYSTEM (ECS)
TB2-7 (A402)	TERMINAL BOARD	W668	12-1	DASE (BUCS DEACTIVATED)
TB2-7 (A402)	TERMINAL BOARD	W668	12-2	DASE (BUCS ACTIVATED)
TB2-7 (A402)	TERMINAL BOARD	W668	25-2	ENGINE ANTI-ICE
TB2-8 (A402)	TERMINAL BOARD	W668	8-1	DRIVE SYSTEM
TB2-8 (A402)	TERMINAL BOARD	W668	23-1	POWER PLANTS
TB2-9 (A402)	TERMINAL BOARD	W668	9-11	CIRCUIT PROTECTION (DC ESSENTIAL BUS 2 - PILOT STATION)
TB2-9 (A402)	TERMINAL BOARD	W668	9-12	CIRCUIT PROTECTION (DC ESSENTIAL BUS 3 - PILOT STATION)
TB2-9 (A402)	TERMINAL BOARD	W668	9-18	CAUTION AND WARNING
TB2-9 (A402)	TERMINAL BOARD	W668	15-1	HYDRAULIC

WIRING DIAGRAM DIRECTORY (cont)

<u>REFDES</u>	<u>COMPONENT</u>	<u>CABLE</u>	<u>PARAGRAPH</u>	<u>WIRING</u>	<u>DIAGRAM</u>
TB2-9 (A402)	TERMINAL BOARD	W668	20-2	DOPPLER NAVIGATION	AN/ASN-128
TB2-9 (A402)	TERMINAL BOARD	W668	20-3	DOPPLER NAVIGATION	AN/ASN-137 (ADC)
TB2-9 (A402)	TERMINAL BOARD	W668	20-3A	DOPPLER NAVIGATION	AN/ASN-137 (ADD)
TB3 (A110)	TERMINAL BOARD	W627	6-3	UHF-AM RADIO SET	
TB3 (A110)	TERMINAL BOARD	W627	6-4	VHF Ah-FM RADIO SET	AN/ARC-186 (ADH)
TB3 (A110)	TERMINAL BOARD	W627	6-5	VHF AM-FM RADIO SET	AN/ARC-186 AND AN/ARC-201A (ADD)
TB3-1 (A323)	TERMINAL BOARD	W642	12-4	STABILATOR	
TB3-1 (A402)	TERMINAL BOARD	W668	3-1	AERIAL ROCKET CONTROL	SYSTEM (ARCS)
TB3-10/411 (A402)	TERMINAL BOARD	W668	11-2	EXTERNAL STORES	JETTISON
TB3-12/13 (A402)	TERMINAL BOARD	W668	11-2	EXTERNAL STORES	JETTISON
TB3-14 (A402)	TERMINALBOARD	W668	23-1	POWER PLANTS	
TB3-15 (A402)	TERMINAL BOARD	W668	9-7	CIRCUIT PROTECTION	(AC ESSENTIAL BUS 2- PILOT STATION)
TB3-15 (A402)	TERMINAL BOARD	W668	23-1	POWER PLANTS	
TB3-16 (A402)	TERMINAL BOARD	W668	2-1	AIR DATA SYSTEM (ADS)	
TB3-16 (A402)	TERMINAL BOARD	W668	9-5	CIRCUIT PROTECTION	(AC ESSENTIAL BUS 1- PILOT STATION)
TB3-16 (A402)	TERMINAL BOARD	W668	9-9	CIRCUIT PROTECTION	(DC ESSENTIAL BUS 1- PILOT STATION)
TB3-16 (A402)	TERMINAL BOARD	W668	9-25	NAVIGATION LIGHTS	
TB3-16 (A402)	TERMINAL BOARD	W668	21-2	RADAR JAMMER	AN/ALQ-136
TB3-16 (A402)	TERMINALBOARD	W668	25-2	ENGINE ANTI-ICE	
TB3-16 (A402)	TERMINAL BOARD	W668	25-4	PITOT ANTI-ICE	

WIRING DIAGRAM DIRECTORY (cont)

<u>REFDES</u>	<u>COMPONENT</u>	<u>CABLE</u>	<u>PARAGRAPH</u>	<u>WIRING</u>	<u>DIAGRAM</u>
TB3-17 (A402)	TERMINAL BOARD	W668	9-5	CIRCUIT PROTECTION	(AC ESSENTIAL BUS 1- PILOT STATION)
TB3-17 (A402)	TERMINAL BOARD	W668	9-18	CAUTION AND WARNING	
TB3-17 (A402)	TERMINAL BOARD	W668	12-4	STABILATOR	
TB3-17 (A402)	TERMINAL BOARD	W668	15-1	HYDRAULIC	
TB3-17 (A402)	TERMINAL BOARD	W668	25-2	ENGINE ANTI-ICE	
TB3-18 (A402)	TERMINAL BOARD	W668	19-1	MULTIPLEX	
TB3-18 (A402)	TERMINAL BOARD	W668	20-1	AUTOMATIC DIRECTION	FINDER (ADF) AN/ARN-89
TB3-18 (A402)	TERMINAL BOARD	W668	20-4	HARS	
TB3-19 (A402)	TERMINAL BOARD	W668	9-23	FORMATION LIGHTS	
TB3-2 (A323)	TERMINAL BOARD	W642	12-4	STABILATOR	
TB3-2 (A402)	TERMINAL BOARD	W668	3-1	AREA WEAPON SYSTEM	(AWS)
TB3-2 (A402)	TERMINAL BOARD	W668	25-6	FIRE DETECTION AND	EXTINGUISHING
TB3-24 (A402)	TERMINAL BOARD	W668	25-2	ENGINE ANTI-ICE	
TB3-28/29 (A402)	TERMINAL BOARD	W668	20-3	DOPPLER NAVIGATION	AN/ASN-137 (ADC)
TB3-28/29 (A402)	TERMINAL BOARD	W668	20-3A	DOPPLER NAVIGATION	AN/ASN-137 (ADD)
TB3-3 (A323)	TERMINAL BOARD	W642	12-1	DASE (BUCS DEACTIVATED)	
TB-3 (A323)	TERMINAL BOARD	W642	12-2	DASE (BUCS ACTIVATED)	
TB3-3 (A323)	TERMINAL BOARD	W642	12-4	STABILATOR	
TB3-3 (A402)	TERMINAL BOARD	W668	18-2	NAVIGATION	INSTRUMENTS
TB3-3 (A402)	TERMINAL BOARD	W668	20-1	AUTOMATIC DIRECTION	FINDER (ADF) AN/ARN-89

WIRING DIAGRAM DIRECTORY (cont)

<u>REFDES</u>	<u>COMPONENT</u>	<u>CABLE</u>	<u>PARAGRAPH</u>	<u>WIRING DIAGRAM</u>
TB3-30 (A402)	TERMINAL BOARD	W668	9-12	CIRCUIT PROTECTION (DC ESSENTIAL BUS 3 - PILOT STATION)
TB3-30 (A402)	TERMINAL BOARD	W668	20-3	DOPPLER NAVIGATION AN/ASN-137 (ADC)
TB3-30 (A402)	TERMINAL BOARD	W668	204A	DOPPLER NAVIGATION AN/ASN-137 IADD)
TB3-30 (A402)	TERMINAL BOARD	W211	20-4	HARS (ADD)
TB3-30 (A402)	TERMINAL BOARD	W266	20-7	DATA TRANSFER UNIT (ADD)
TB3-30 (A402)	TERMINAL BOARD	W266	20-8	EGI (ADD)
TB3-31 (A402)	TERMINAL BOARD	W668	20-3	DOPPLER NAVIGATION AN/ASN-137 (ADC)
TB3-31 (A402)	TERMINAL BOARD	W668	20-3A	DOPPLER NAVIGATION AN/ASN-137 ,ADD)
TB3-31 (A402)	TERMINAL BOARD	W211	20-4	HARS (ADD)
TB3-4 (A323)	TERMINAL BOARD	W642	12-1	DASE (BUCS DEACTIVATED)
TB3-4 (A323)	TERMINAL BOARD	W642	12-2	DASE (BUCS ACTIVATED)
TB3-4 (A323)	TERMINAL BOARD	W642	12-4	STABILATOR
TB3-4 (A402)	TERMINAL BOARD	W668	3-1	AERIAL ROCKET CONTROL SYSTEM (ARCS)
TB3-4 (A402)	TERMINAL BOARD	W668	4-1	AREA WEAPON SYSTEMI
TB3-4 (A402)	TERMINAL BOARD	W668	9-14	CIRCUIT PROTECTION (DC EMERGENCY BUS - PILOT STATION)
TB34 (A402)	TERMINAL BOARD	W668	11-1	EXTERNAL STORES CONTROL
TB3-4 (A402)	TERMINAL BOARD	W668	13-2	FUEL CROSSFEED/BOOST
TB3-4 (A402)	TERMINAL BOARD	W668	14-1	HELLFIRE MISSILE
TB3-5 (A402)	TERMINAL BOARD	W668	11-1	EXTERNAL STORES CONTROL
TB3-6 (A323)	TERMINAL BOARD	W642	12-1	DASE (BUCS DEACTIVATED)

WIRING DIAGRAM DIRECTORY (cont)

<u>REFDES</u>	<u>COMPONENT</u>	<u>CABLE</u>	<u>PARAGRAPH</u>	<u>WIRING DIAGRAM</u>
TB3-6 (A323)	TERMINAL BOARD	W642	12-4	STABILATOR
TB3-6 (A402)	TERMINAL BOARD	W668	-11	CIRCUIT PROTECTION (DC ESSENTIAL BUS 1 - PILOT STATION)
TB3-6 (A402)	TERMINAL BOARD	W668	11-2	EXTERNAL STORES JETTISON
TB3-7 (A323)	TERMINAL BOARD	W642	12-1	DASE (BUCS DEACTIVATED)
TB3-7 (A323)	TERMINAL BOARD	W642	124	STABILATOR
TB3-7/8 (A402)	TERMINAL BOARD	W668	9-18	CAUTION AND WARNING
TB3-7/8 (A402)	TERMINAL BOARD	W668	12-3	FORCE TRIM
TB3-7/8 (A402)	TERMINAL BOARD	W668	15-1	HYDRAULIC
TB3-9 (A402)	TERMINAL BOARD	W668	12-3	FORCE TRIM
TB3-9 (A402)	TERMINAL BOARD	W668	25-2	ENGINE ANTI-ICE
TB305-1	TERMINAL BOARD	W255	24-1	TADS
TB305-10	TERMINAL BOARD	W255	22-1	PNVS
TB305-10	TERMINAL BOARD	W255	24-1	TADS
TB305-2	TERMINAL BOARD	W255	24-1	TADS
TB305-8	TERMINAL BOARD	W255	24-1	TADS
TB306-1	TERMINAL BOARD	W220	6-1	INTERCOMMUNICATION
TB307-1	TERMINAL BOARD	W261	6-1	INTERCOMMUNICATION
TB501-2	TERMINAL BOARD	W157	3-1	AERIAL ROCKET CONTROL SYSTEM (ARCS)
TB501-2	TERMINAL BOARD	W157	11-1	EXTERNAL STORES CONTROL
TB501-3	TERMINAL BOARD	W157	11-1	EXTERNAL STORES CONTROL
TB501-5	TERMINAL BOARD	W157	3-1	AERIAL ROCKET CONTROL SYSTEM (ARCS)

WIRING DIAGRAM DIRECTORY (cont)

<u>REFDES</u>	<u>COMPONENT</u>	<u>CABLE</u>	<u>PARAGRAPH</u>	<u>WIRING DIAGRAM</u>
TB501-6	TERMINAL BOARD	W157	3-1	AERIAL ROCKET CONTROL SYSTEM (ARCS)
TB502-2	TERMINAL BOARD	W158	11-1	EXTERNAL STORES CONTROL
TB502-3	TERMINAL BOARD	W158	11-1	EXTERNAL STORES CONTROL
TB502-5	TERMINAL BOARD	W158	3-1	AERIAL ROCKET CONTROL SYSTEM (ARCS)
TB502-6	TERMINAL BOARD	W158	3-1	AERIAL ROCKET CONTROL SYSTEM (ARCS)
TB502-7	TERMINAL BOARD	W158	3-1	AERIAL ROCKET CONTROL SYSTEM (ARCS)
TB507-112	TERMINAL BOARD	W170	12-4	STABILATOR
TB507 SP1	TERMINAL BOARD	W170	12-4	SIABILATOR
TB507 SP2	TERMINAL BOARD	W170	12-4	STABILATOR
TB507 SP3	TERMINAL BOARD	W170	12-4	STABILATOR
TB507 SP4	TERMINAL BOARD	W170	12-4	STABILATOR
TB507 SP5	TERMINAL BOARD	W170	12-4	STABILATOR
TB507 SP6	TERMINAL BOARD	W170	12-4	STABILATOR
TB507 SP7	TERMINAL BOARD	W170	12-4	STABILATOR
TB507 SP8	TERMINAL BOARD	W170	12-4	STABILATOR
TB52-1 (E100)	TERMINAL BOARD	W221	25-6	FIRE DETECTION AND EXTINGUISHING
U1 (XA85)	INTEGRATED CIRCUIT	W659	4-1	AREA WEAPON SYSTEM (AWS)
V1 (L7)	NONLINEAR RESISTOR	W110	8-1	DRIVE SYSTEM
V2 (L8)	NONLINEAR RESISTOR	W110	8-1	DRIVE SYSTEM
W1 (A402)	BUS BAR	W668	9-1	AC ELECTRICAL POWER GENERATION
W1 (A402)	BUS BAR	W668	9-2	DC ELECTRICAL POWER GENERATION

WIRING DIAGRAM DIRECTORY (cont)

<u>REFDES</u>	<u>COMPONENT</u>	<u>CABLE</u>	<u>PARAGRAPH</u>	<u>WIRING DIAGRAM</u>
W2 (A402)	BUS BAR	W668	9-1	AC ELECTRICAL POWER GENERATION
W2 (A402)	BUS BAR	W668	9-2	DC ELECTRICAL POWER GENERATION
W3 (A402)	BUS BAR	W668	9-2	DC ELECTRICAL POWER GENERATION
XA85	BIAS UPLOAD BOX	W659	4-1	AREA WEAPON SYSTEM (AWS)
XDS1 (A324)	LIGHT ASSEMBLY	W640	9-20	CPG UTILITY AND SECONDARY LIGHTS
XDS1 (A325)	LIGHT ASSEMBLY	W641	9-21	PILOT UTILITY AND SECONDARY LIGHTS
XDS1 SP1	SPLICE	W154	9-23	FORMATION LIGHTS
XDS1 SP2	SPLICE	W154	9-23	FORMATION LIGHTS
XDS2	FORMATION LIGHT (RW)	W156	9-23	FORMATION LIGHTS
XDS2 (A138)	LIGHT ASSEMBLY	W616	25-6	FIRE DETECTION AND EXTINGUISHING
XDS2 (A324)	LIGHT ASSEMBLY	W640	9-20	CPG UTILITY AND SECONDARY LIGHTS
XDS2 (A325)	LIGHT ASSEMBLY	W641	9-21	PILOT UTILITY AND SECONDARY LIGHTS
XDS2 SP1	SPLICE	W156	9-23	FORMATION LIGHTS
XDS2 SP2	SPLICE	W156	9-23	FORMATION LIGHTS
XDS3	FORMATION LIGHT (AFT CATWALK)	W102	9-23	FORMATION LIGHTS
XDS3 (A138)	LIGHT ASSEMBLY	W616	25-6	FIRE DETECTION AND EXTINGUISHING
XDS3 (A324)	LIGHT ASSEMBLY	W640	9-20	CPG UTILITY AND SECONDARY LIGHTS
XDS3 (A325)	LIGHT ASSEMBLY	W641	9-21	PILOT UTILITY AND SECONDARY LIGHTS
XDS3 SP1	SPLICE	W102	9-23	FORMATION LIGHTS

WIRING DIAGRAM DIRECTORY (cont)

<u>REFDES</u>	<u>COMPONENT</u>	<u>CABLE</u>	<u>PARAGRAPH</u>	<u>WIRING DIAGRAM</u>
XDS3 SP2	SPLICE	W102	9-23	FORMATION LIGHTS
XDS4	FORMATION LIGHT (TAIL)	W154	9-23	FORMATION LIGHTS
XDS4 (A324)	LIGHT ASSEMBLY	W640	9-20	CPG UTILITY AND SECONDARY LIGHTS
XDS4 (A325)	LIGHT ASSEMBLY	W641	9-21	PILOT UTILITY AND SECONDARY LIGHTS
XDS4 SP1	SPLICE	W154	9-23	FORMATION LIGHTS
XDS4 SP2	SPLICE	W154	9-23	FORMATION LIGHTS
XDS5	LH NAVIGATION LIGHT (RED)	W155	9-25	NAVIGATION LIGHTS
XDS5 (A322)	LIGHT ASSEMBLY	W643	9-20	CPG UTILITY AND SECONDARY LIGHTS
XDS5 (A325)	LIGHT ASSEMBLY	W641	9-21	PILOT UTILITY AND SECONDARY LIGHTS
XDS6	RH NAVIGATION LIGHT (GREEN)	W156	9-25	NAVIGATION LIGHTS
XDS6 (A322)	LIGHT ASSEMBLY	W643	9-20	CPG UTILITY AND SECONDARY LIGHTS
XDS6 (A325)	LIGHT ASSEMBLY	W641	9-21	PILOT UTILITY AND SECONDARY LIGHTS
XDS7	TAIL NAVIGATION LIGHT (WHITE)	W154	9-25	NAVIGATION LIGHTS
XDS7 (A322)	LIGHT ASSEMBLY	W643	9-20	CPG UTILITY AND SECONDARY LIGHTS
XDS7 (A325)	LIGHT ASSEMBLY	W641	9-21	PILOT UTILITY AND SECONDARY LIGHTS
XDS7 SP1	SPLICE	W154	9-25	NAVIGATION LIGHTS
XDS7 SP2	SPLICE	W154	9-25	NAVIGATION LIGHTS
XJ332	CONNECTOR	W266	6-2	TSEC/KY-58 COMMUNICATIONS SECURITY EQUIPMENT
XJ332	CONNECTOR	W266	6-4	VHF AM-FM RADIO SET AN/ARC-186 (ADH)
XJ332	CONNECTOR	W266	6-5	VHF AM-FM RADIO SET AN/ARC-186 AND AN/ARC-201A (ADI)
X5332 SP1	CONNECTOR	W266	6-2	TSEC/KY-58 COMMUNICATIONS SECURITY EQUIPMENT

WIRING DIAGRAM DIRECTORY (cont)

<u>REFDES</u>	<u>COMPONENT</u>	<u>CABLE</u>	<u>PARAGRAPH</u>	<u>WIRING DIAGRAM</u>
XJ332 SP1	CONNECTOR	W266	6-4	VHF AM-FM RADIO SET AN/ARC-186 (ADH)
XJ332 SP1	CONNECTOR	W266	6-5	VHF AM-FM RADIO SET AN/ARC-186 AND AN/ARC-201A (ADI)
XJ333	CONNECTOR	W266	6-2	TSEC/KY-58 COMMUNICATIONS SECURITY EQUIPMENT
XJ333	CONNECTOR	W266	6-4	VHF AM-FM RADIO SET AN/ARC-186 (ADH)
XJ333	CONNECTOR	W266	6-5	VHF AM-FM RADIO SET AN/ARC-186 AND AN/ARC-201A (ADI)
XJ529 (XA85)	CONNECTOR	W659	4-1	AREA WEAPON SYSTEM (AWS)
XK1 (A1 A133)	RELAY SOCKET	W625	9-19	EDGE LIGHTS
XK1 (A1 A181)	BELAY SOCKET	W619	9-19	EDGE LIGHTS
XK1 (A128)	RELAY SOCKET		20-3A	DOPPLER NAVIGATION AN/ASN-137 (ADD)
XK1 (A128)	RELAY SOCKET		20-7	DATA TRANSFER UNIT (ADD)
XK1 (A128)	RELAY SOCKET		20-8	EGI (ADD)
XK1 (A131)	ENGINE 1 FUEL V CL OR ENG START RELAY	W612	13-2	FUEL CROSSFEED/BOOST
XK1 (A138)	PRI BTL DISCHG LIGHT CONT RELAY	W616	25-6	FIRE DETECTION AND EXTINGUISHING
XK1 (A402)	GEN 1 CONTACTOR	W668	9-1	AC ELECTRICAL POWER GENERATION
XK1 (A402)	GEN 1 CONTACTOR	W668	9-3	EXTERNAL POWER AND GROUND SERVICE UTILITY CONNECTOR
XK1 SP1 (A402)	SPLICE	W668	14-1	HELLFIRE MISSILE
XK1-1 (A337)	ENG 1 AIR BLEED RELAY	W656	25-2	ENGINE ANTI-ICE
XK1-1/2 (A323)	AUTO/MAN POWER RELAY	W642	12-4	STABIATOR
XK1-1/2 (A326)	LANDING SEARCH LIGHT RELAY	W646	9-24	LANDING/SEARCH LIGHTS

TM 1-1520-238T-10

WIRING DIAGRAM DIRECTORY (cont)

REFDES	COMPONENT	CABLE	PARAGRAPH	WIRING DIAGRAM
XK1-V12 A329)	AUTO/MAN POWER	W651	12-4	STABILATOR RELAY
XK1-V2 A330)	ENG 1 RUN/CHOP RELAY	W652	23-1	POWER PLANTS
XK1-/2- (A700)	RADAR JAMMER LIGHTS	W602	21-2	RADAR JAMMER DIMMING RELAY AN/ALQ-136
XK1-2 (A337)	ENG 2 BLEED AIR RELAY	W656	25-2	ENGINE ANTI-ICE
XK1-3 (A323)	MAN CONT NOSE UP	W642	12-4	STABILATOR RELAY
XK1-3 (A330)	ENG 1 CLEAR RELAY	W652	23-1	POWER PLANTS
XK1-3 (A402)	MUX/FCC PWR RELAY	W668	19-1	MULTIPLEX
XK1-3/4 (A326)	FAB FANS STANDBY	W646	10-1	ENVIRONMENTAL RELAY CONTROL SYSTEM (ECS)
XK1-3/4 (A329)	MANUAL MODE LOCK SELECT RELAY	W651	12-4	STABILATOR
XK1-4 (A402)	RHE POWER ENABLE	W668	14-1	HELLFIRE MISSILE RELAY
XK1-5 (A329)	MANUAL CONTROL NOSE	W651	12-4	STABILATOR DOWN RELAY
XK1-5 (A402)	ARM POWER ENABLE	W668	14-1	HELLFIRE MISSILE RELAY
XK1-5/6 (A326)	FAB FANS NORMAL	W646	10-1	ENVIRONMENTAL RELAY CONTROL SYSTEM (ECS)
XK1-5/6 (A330)	ENG 1 START RELAY	W652	23-1	POWER PLANTS
XK1-5/6 (A337)	RELAY	W656	25-2	ENGINE ANTI-ICE
XK1-5/6 SP1 (A330)	SPLICE	W652	23-1	POWER PLANTS
XKI- (A329)	AUTO RESET RELAY	W651	12-4	STABILATOR
XK1-6 (A402)	BLADE DE-ICE RELAY	W668	25-3	ROTOR BLADES DE-ICE
XK1-7 (A329)	APPROACH 1 LIGHT	W651	12-4	STABILATOR RELAY
XK1-7 (A402)	CAUTION/WARNING	W668	9-18	CAUTION AND WARNING ISOLATION RELAY

WIRING DIAGRAM DIRECTORY (cont)

REFDES	COMPONENT	CABLE	PARAGRAPH	WIRING DIAGRAM
XK1-7/8 (A330)	ENG 1 IGNITION CUTOFF	W652	23-1	POWER PLANTS RELAY
XK1-8 (A329)	APPROACH 2 AUDIO	W651	12-4	STABILATOR RELAY
XK1-9/10 (A402)	TRIM BRAKE RELAY	W668	12-3	FORCE TRIM
XK1 (AI A133)	RELAY SOCKET	W625	9-19	EDGE LIGHTS
XK2 (A128)	RELAY SOCKET		203A	DOPPLER NAVIGATION AN/ASN-137 (ADD)
XK2 (A128)	RELAY SOCKET		20-7	DATA TRANSFER UNIT (ADD)
XK2 (A128)	RELAY SOCKET		20-8	EGI (ADD)
XK2 (A131)	ENGINE 1 FUEL V CL OR	W612	13-2	FUEL CROSSFEED/BOOST ENG START RELAY
XK2 (A138)	RES BTL DISCHG LIGHT	W616	25-6	FIRE DETECTION AND CONT RELAY EXTINGUISHING
XK2 (A402)	GEN 2 CONTACTOR	W668	9-1	AC ELECTRICAL POWER GENERATION
XK2 (A402)	GEN 2 CONTACTOR	W668	93	EXTERNAL POWER AND GROUND SERVICE UTILITY CONNECTOR
XK2 SP4 (A402)	SPLICE	W668	19-1	MULTIPLEX
XK2 SP5 (A402)	SPLICE	W668	191	MULTIPLEX
XK2 SP6 (A402)	SPLICE	W668	19-1	MULTIPLEX
XK2 SP7 (A402)	SPLICE	W668	19-1	MULTIPLEX
XK2 SP8 (A402)	SPLICE	W668	19-1	MULTIPLEX
XK2 SP9 (A402)	SPLICE	W668	19-1	MULTIPLEX
XK2 SP9 (A402)	SPLICE	W668	19-1	MULTIPLEX
XK2-1/2 (A330)	ENG 2 RUN/CHOP RELAY	W652	23-1	POWER PLANTS
XK2-1/2 (A402)	SDC THROTTLE TIME	W668	15-2	PRESSURIZED AIR SYSTEM DELAY RELAY (PAS)

WIRING DIAGRAM DIRECTORY (cont)

<u>REFDES</u>	<u>COMPONENT</u>	<u>CABLE</u>	<u>PARAGRAPH</u>	<u>WIRING DIAGRAM</u>
XK2-1/2) (A402)	SDC THROTTLE TIME	W668	5-1	AUXILIARY POWER UNIT (APU)
XK2-3 (A330)	ENG 2 CLEAR RELAY	W652	23-1	POWER PLANTS
XK2-4 (A402)	OAS HTR CONT RELAY	W688	25-4	PITOT ANTI-ICE
XK2-5/6 (A330)	ENG 2 START RELAY	W652	23-1	POWER PLANTS
XK2-5/6 (A402)	LAUNCHER DC PWR ENABLE RELAY	W668	14-1	HELLFIRE MISSILE
XK2-5/6 SP1 (A330)	SPLICE	W652	23-1	POWER PLANTS
XK2-7/8 (A330)	ENG 2 IGNITION CUTOFF RELAY	W652	23-1	POWER PLANTS
XK2-7/8 (A402)	MUX/FCC PWR RELAY	W668	19-1	MULTIPLEX
XK2-9/10 (A402)	ENGINE STARTER DROP OUT DELAY RELAY	W668	10-1	ENVIRONMENTAL CONTROL SYSTEM (ECS)
XK2-9/10 (A402)	ENGINE STARTER DROP OUT DELAY RELAY	W668	23-1	POWER PLANTS
XK3 (A1 A131)	ENGINE 2 FUEL VALVE CLOSE/ENG START RELAY	W612	13-2	FUEL CROSSFEED/BOOST
XK3 (A128)	RELAY SOCKET		20-3A	DOPPLER NAVIGATION AN/ASN-137 (ADD)
XK3 (A128)	RELAY SOCKET		20-7	DATA TRANSFER UNIT (ADD)
XK3 (A128)	RELAY SOCKET		20-8	EGI (ADD)
XK3 (A138)	START RELAY	W616	5-1	AUXILIARY POWER UNIT (APU)
XK3 (A402)	BLADE DE-ICE	W668	9-1	AC ELECTRICAL POWER CONTACTOR GENERATION
XK3 (A402)	BLADE DE-ICE	W688	25-3	ROTOR BLADES DE-ICE CONTACTOR
XK3 SP1 (A402)	SPLICE	W688	14-1	HELLFIRE MISSILE
XK3 SP2 (A402)	SPLICE	W668	14-1	HELLFIRE MISSILE

L

WIRING DIAGRAM DIRECTORY (cont)

<u>REFDES</u>	<u>COMPONENT</u>	<u>CABLE</u>	<u>PARAGRAPH</u>	<u>WIRING DIAGRAM</u>
XK3 SP3 (A402)	SPLICE	W668	14-1	HELLFIRE MISSILE
XK3 SP4 (A402)	SPLICE	W668	14-1	HELLFIRE MISSILE
XK3 SP5 (A402)	SPLICE	W668	21-2	RADAR JAMMER AN/ALQ-136
XK3-1/2 (A402)	REMOTE SAFE DRIVE S1	W668	14-1	HELLFIRE MISSILE AND S2 RELAY
XK3-3 (A402)	RADAR JAM RELAY	W668	21-2	RADAR JAMMER AN/ALQ- 136
XK3-4 (A402)	REFUEL VALVE CAUTION RELAY	W668	13-4	PRESSURE REFUELING/DEFUELING
XK4 (A131)	ENGINE 2 FUEL VALVE CLOSE/ENG START RELAY	W612	13-2	FUEL CROSSFEED/BOOST
XK4-1/2 (A402)	SQUAT RELAY SYSTEM (ARCS)	W668	3-1	AERIAL ROCKET CONTROL
XK4-1/2 (A402)	SQUAT RELAY	W668	4-1	AREA WEAPON SYSTEM (AWS)
XK3-5/6 (A402)	LAUNCHER AC POWER ENABLE RELAY	W668	14-1	HELLFIRE MISSILE
XK3-7 (A402)	FLAG RELAY	W668	20-4	HARS
XK3-9/10 (A402)	REMOTE SAFE DRIVE S3 AND S4 RELAY	W668	14-1	HELLFIRE MISSILE
XK34	TAIL WHEEL LOCK RELAY	W170	15-1	HYDRAULIC
XK4 (A128)	RELAY SOCKET		20-3A	DOPPLER NAVIGATION AN/ASN-137 (ADD)
XK4 (A128)	RELAY SOCKET		20-7	DATA TRANSFER UNIT (ADD)
XK4 (A128)	RELAY SOCKET		20-8	EGI (ADD)
XK4 (A131)	ENGINE 2 FUEL VALVE RELAY	W612	13-2	FUEL CROSSFEED/BOOST CLOSE/ENG START
XK4-1/2 (A402)	SQUAT RELAY	W668	3-1	AERIAL ROCKET CONTROL SYSTEM (ARCS)

WIRING DIAGRAM DIRECTORY (cont)

<u>REFDES</u>	<u>COMPONENT</u>	<u>CABLE</u>	<u>PARAGRAPH</u>	<u>WIRING DIAGRAM</u>
XK4-V2 (A402)	SQUAT RELAY	W668	4-1	AREA WEAPON SYSTEM (AWS)
XK4-1/2 (A402)	SQUAT RELAY GENERATION	W668	9-1	AC ELECTRICAL POWER
XK4-/2 (A402)	SQUAT RELAY	W668	9-28	SQUAT SWITCH
XK4-1/2 (A402)	SQUAT RELAY CONTROL	W668	11-1	EXTERNAL STORES
XK4-1/2 (A402)	SQUAT RELAY	W668	12-1	DASE (BUCS DEACTIVATED)
XK4-1/2 (A402)	SQUAT RELAY	W668	12-2	DASE (BUCS ACTIVATED)
XK4-1/2 (A402)	SQUAT RELAY	W668	16-1	IFF
XK4-3/4 (A402)	AFT AVIONICS FAN RELAY	W668	10-1	ENVIRONMENTAL CONTROL SYSTEM (ECS)
XK4-5/6 (A402)	ADS CONTROL RELAY	W668	2-1	AIR DATA SYSTEM (ADS)
XK4-5/6 (A402)	AIR DATA SUBSYSTEM CONTROL RELAY	W668	9-5	CIRCUIT PROTECTION (AC ESSENTIAL BUS 1 - PILOT STATION)
,XK4-7 (A402)	ECS AIR SHUTOFF VALVE/ENGINE START INTLK RELAY	W668	10-1	ENVIRONMENTAL CONTROL SYSTEM (ECS)
XK4-7 (A402)	ECS AIR SHUTOFF/ENGINE START INTLK RELAY	W668	23-1	POWER PLANTS
XK4-7 (A402)	ECS AIR SHUTOFF/ENGINE START INTLK RELAY	W668	25-2	ENGINE ANTI-ICE
XK4-8 (A402)	ENCU RELAY CONTROL SYSTEM (ECS)	W668	10-1	ENVIRONMENTAL
XK4-9/10 (A402)	SQUAT RELAY (AWS)	W668	4-1	AREA WEAPON SYSTEM
XK4-9/10 (A402)	SQUAT RELAY	W668	6-1	INTERCOMMUNICATION

WIRING DIAGRAM DIRECTORY (cont)

<u>REFDES</u>	<u>COMPONENT</u>	<u>CABLE</u>	<u>PARAGRAPH</u>	<u>WIRING DIAGRAM</u>
XK4-9/10 (A402)	SQUAT RELAY	W668	9-28	SQUAT RELAY
XK4-9/10 (A402)	SQUAT RELAY	W668	25-7	TAD/SPNVS ANTI-ICE CONTROLS
XK5 (AI A131)	FUEL TRANSFER CAUTION RELAY	W612	13-4	PRESSURE REFUELING/DEFUELING
XK5-10 (A402)	ICE DETECT RELAY	W668	25-2	ENGINE ANTI-ICE
XK5-10 (A402)	ICE DETECT RELAY	W668	25-3	ROTOR BLADES DE-ICE
XK5-10 (A402)	ICE DETECT RELAY	W668	25-4	PITOT ANTI-ICE
XK5-2 (A402)	DOPPLER ON/OFF RELAY	W668	20-3	DOPPLER NAVIGATION AN/ASN-137 (ADC)
XK5-2 (A402)	DOPPLER ON/OFF RELAY	W668	20-3A	DOPPLER NAVIGATION AN/ASN-137 (ADD)
XK53/4 (A402)	ZEROIZE RELAY SOCKET		20-3A	DOPPLER NAVIGATION AN/ASN-137 (ADD)
XK5-3/4 (A402)	ZEROIZE RELAY SOCKET		20-7	DATA TRANSFER UNIT (ADD)
XK53/4 (A402)	ZEROIZE RELAY SOCKET		20-8	EGI (ADD)
XK5-5 (A402)	ANT PWR RELAY SOCKET	W266	20-3A	DOPPLER NAVIGATION
AN/ASN-137 (ADD)			20-3A	DOPPLER NAVIGATION
XK6 (A128)	RELAY SOCKET		20-7	DATA TRANSFER UNIT
XK6 (A128)	RELAY SOCKET		20-8	EGI (ADD)
XK6 (A128)	RELAY SOCKET		4-1	AREA WEAPON SYSTEM (AWS)
XP529 (XA85)	CONNECTOR	W659		

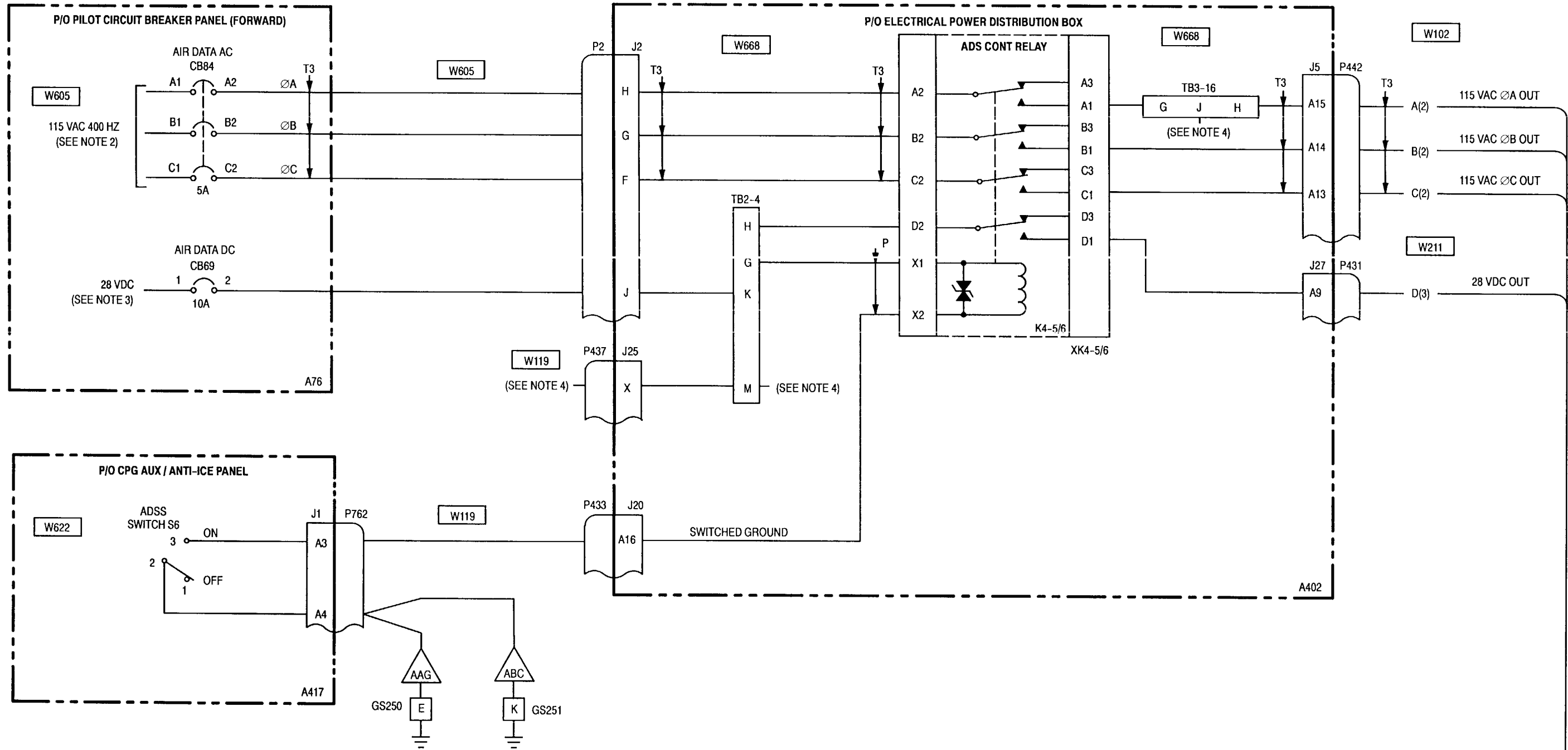
CHAPTER 2. AIR DATA SYSTEM (ADS) WIRING DIAGRAM

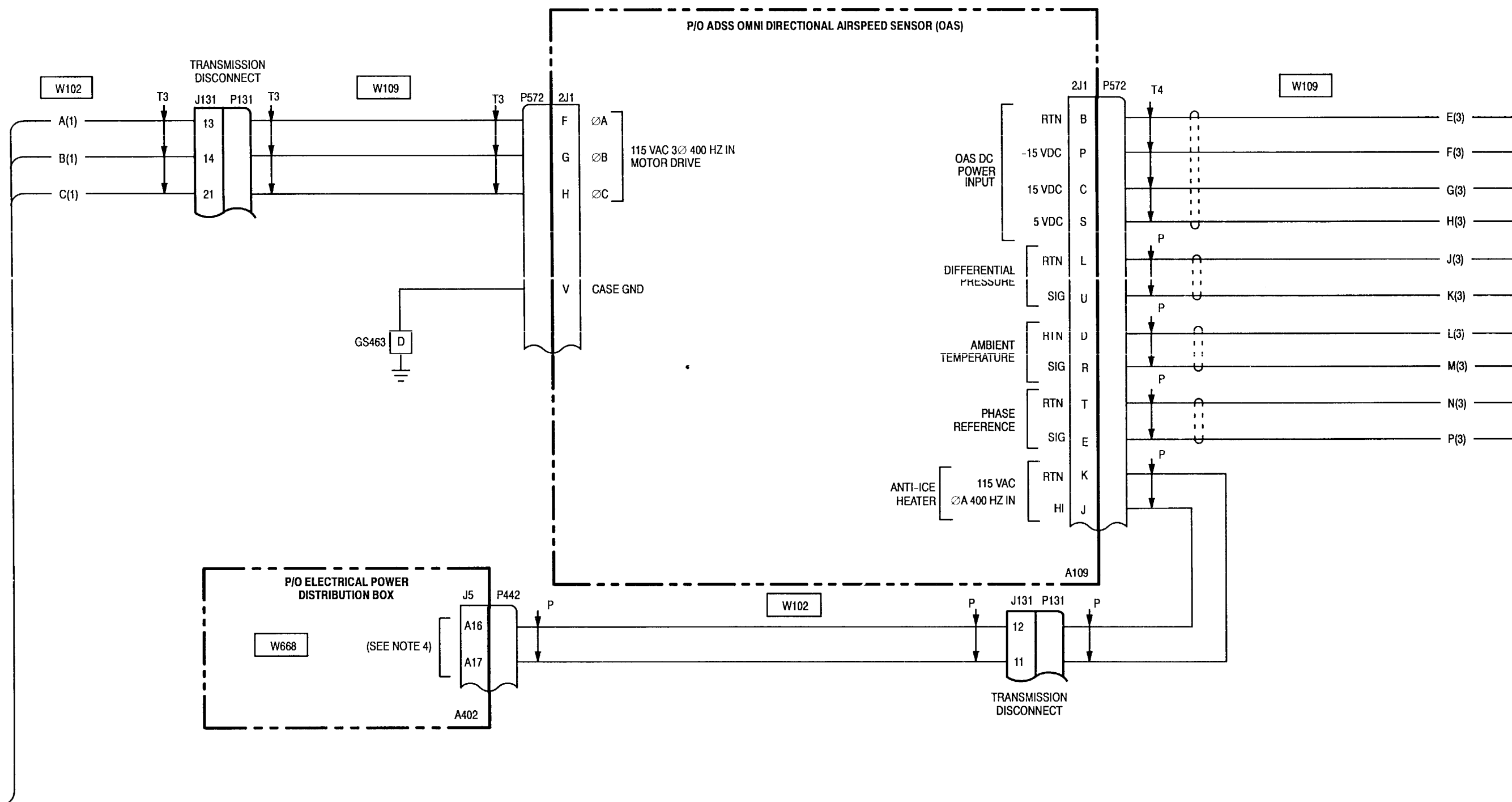
CHAPTER OVERVIEW

Chapter 2 contains the wiring diagram required for troubleshooting the air data system (ADS).

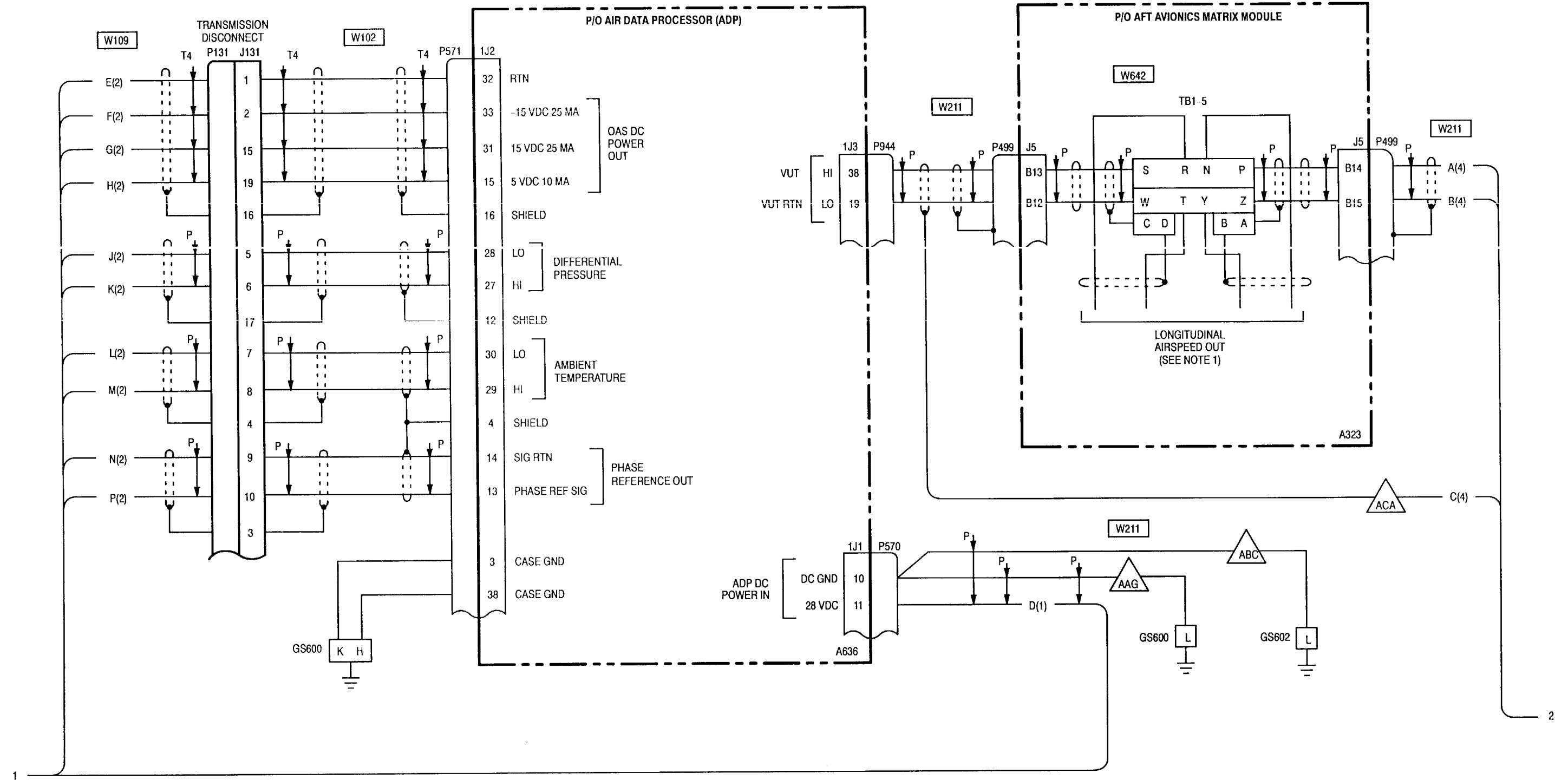
<u>Para Title</u>	<u>Para No.</u>
Air Data System (ADS) - Wiring Diagram	2-1

2-1. AIR DATA SYSTEM (ADS) - WIRING DIAGRAM

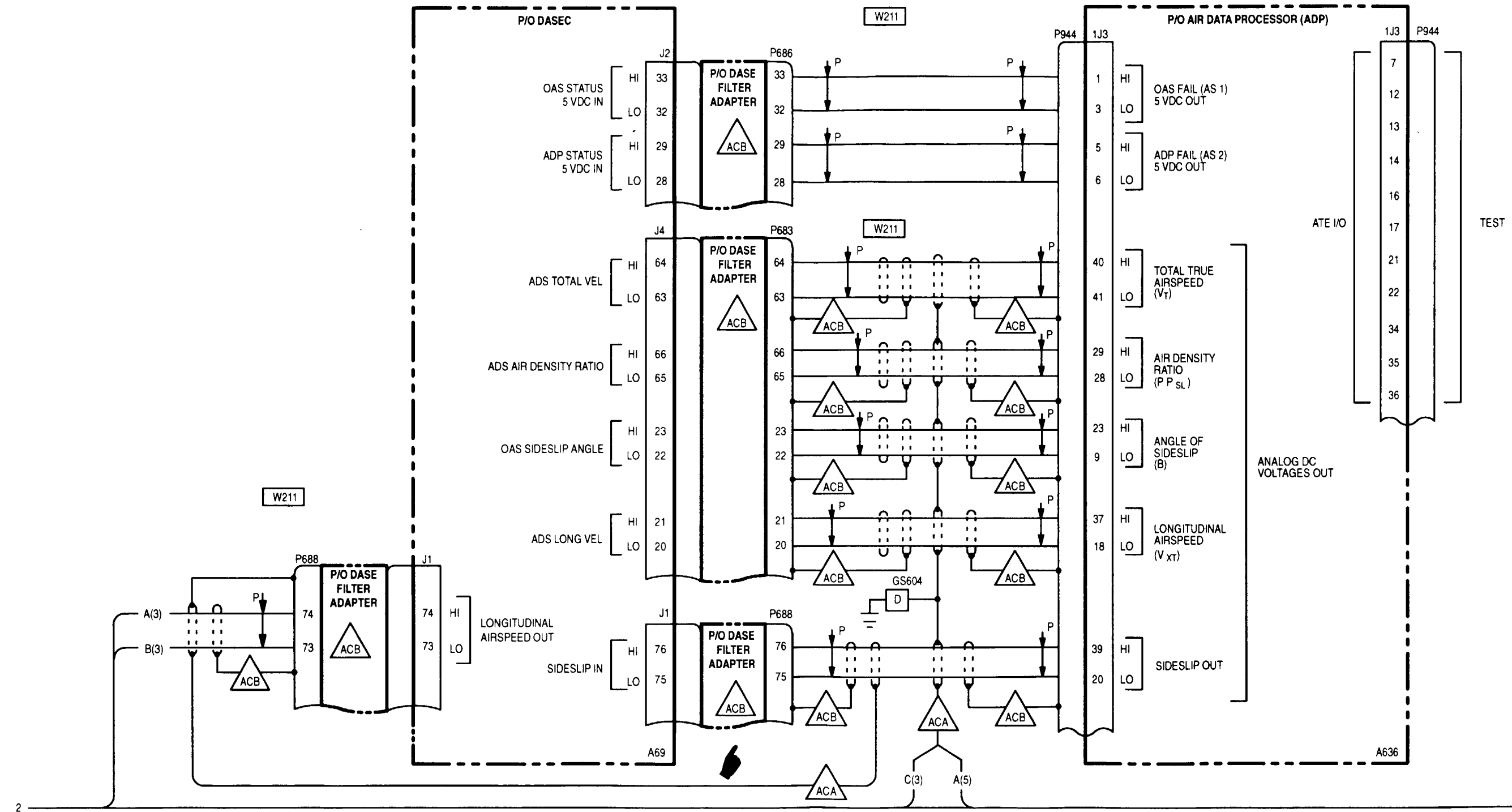




2-1. AIR DATA SYSTEM (ADS) - WIRING DIAGRAM (cont)



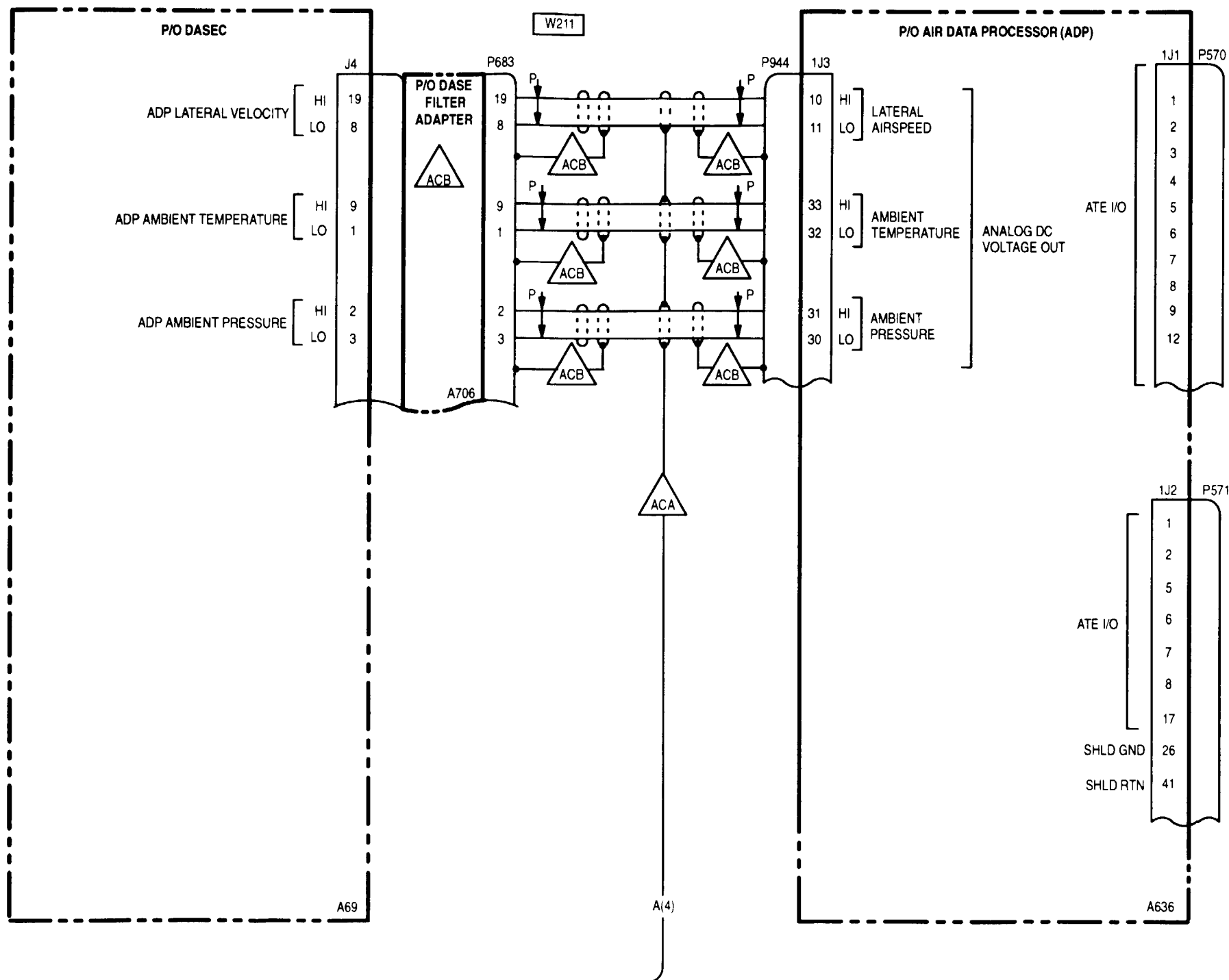
2-1. AIR DATA SYSTEM (ADS) - WIRING DIAGRAM (cont)



2-1. AIR DATA SYSTEM (ADS) - WIRING DIAGRAM (cont)

NOTES:

1. REFER TO PARAGRAPH 12-4. STABILATOR WIRING DIAGRAM.
2. REFER TO PARAGRAPH 9-5. CIRCUIT PROTECTION (AC ESSENTIAL BUS 1 - PILOT STATION)- WIRING DIAGRAM.
3. REFER PARAGRAPH 9-12. CIRCUIT PROTECTION (DC ESSENTIAL BUS 3 - PILOT STATION)- WIRING DIAGRAM.
4. REFER TO PARAGRAPH 25-4. PITOT ANTI-ICE- WIRING DIAGRAM.



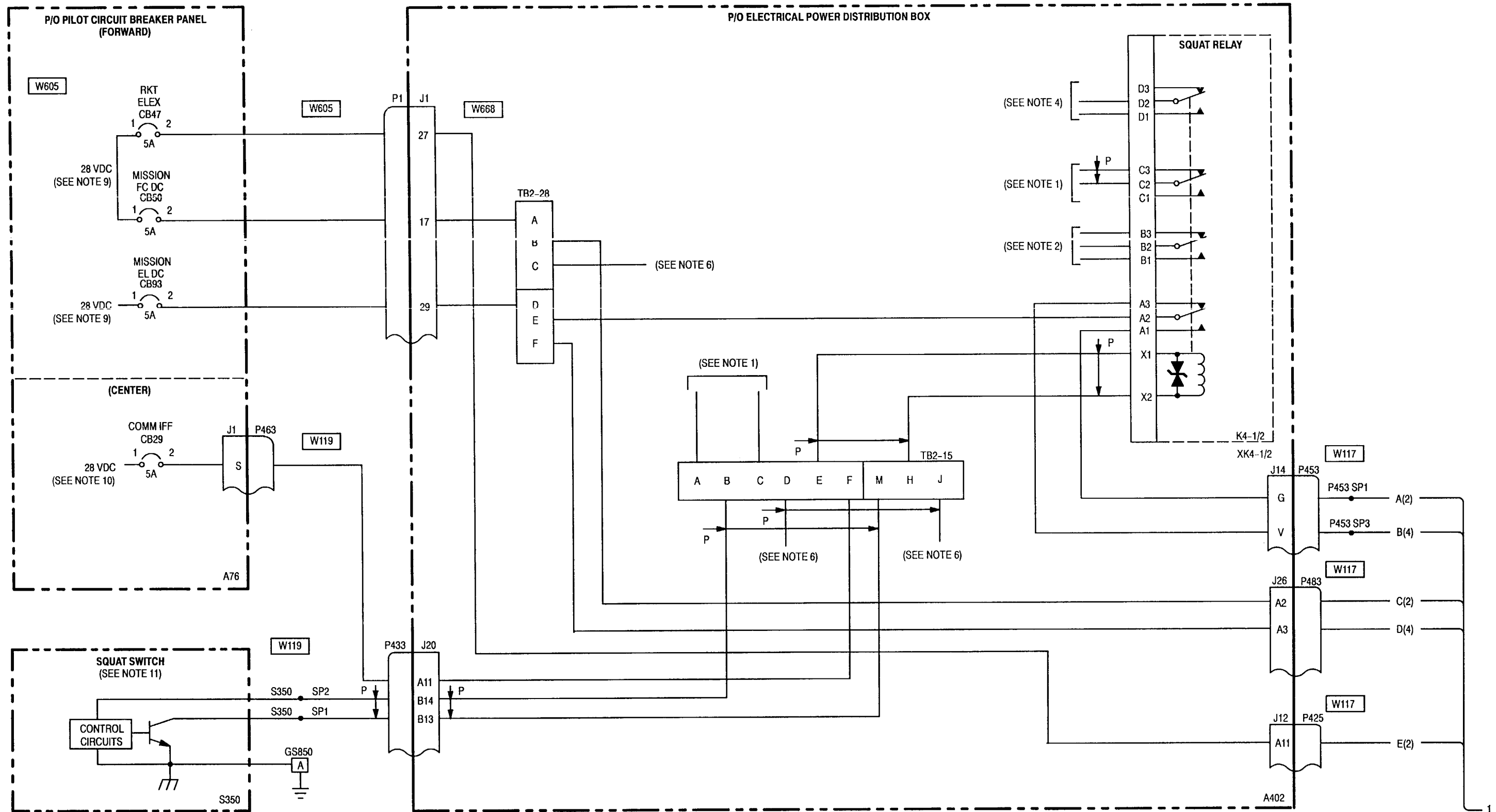
CHAPTER 3. AERIAL ROCKET CONTROL SYSTEM (ARCS) WIRING DIAGRAM

CHAPTER OVERVIEW

Chapter 3 contains the wiring diagram required for troubleshooting the aerial rocket control system (ARCS).

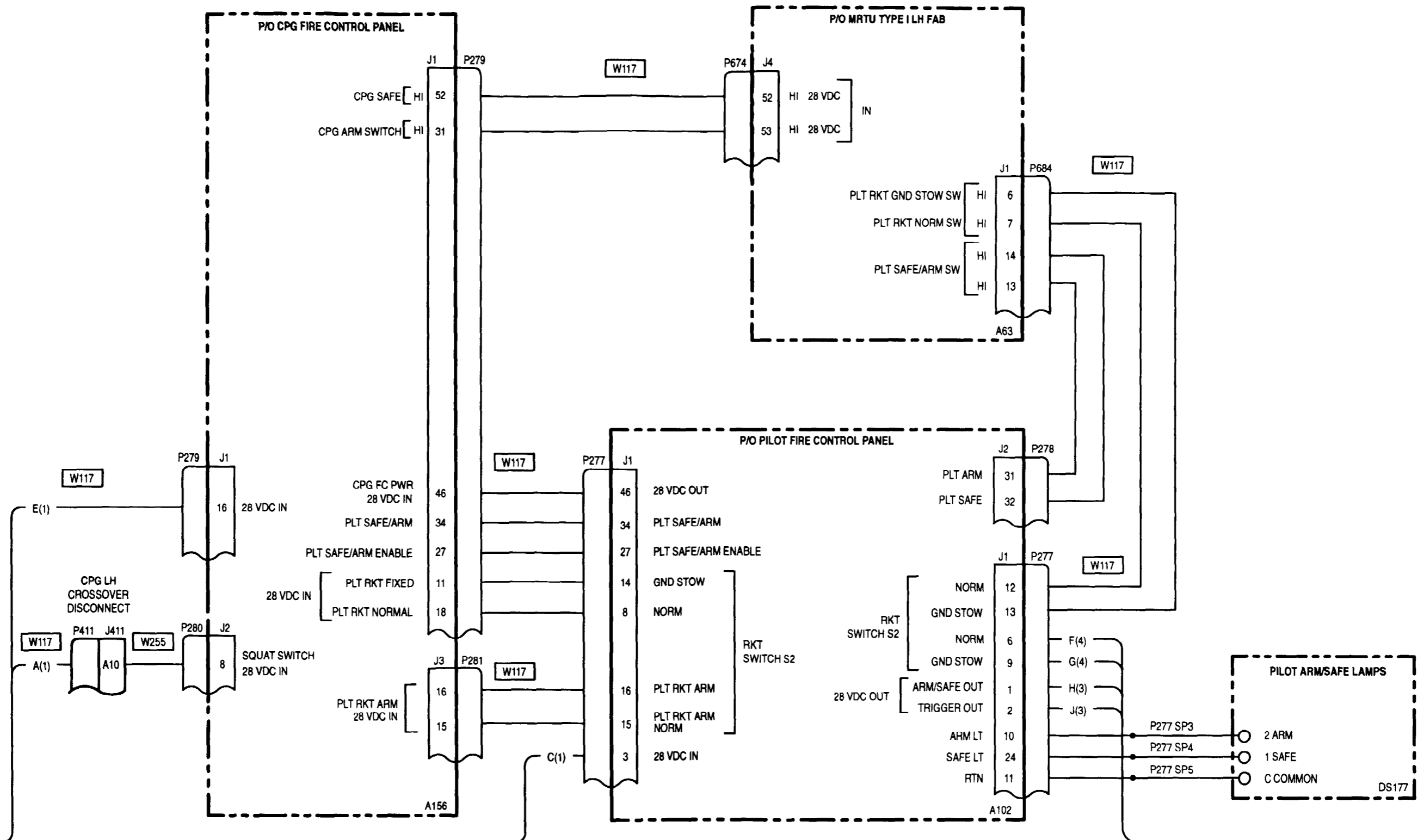
Para Title	Para No.
Aerial Rocket Control System (ARCS) - Wiring Diagram	3-1

3-1. AERIAL ROCKET CONTROL SYSTEM (ARCS) - WIRING DIAGRAM

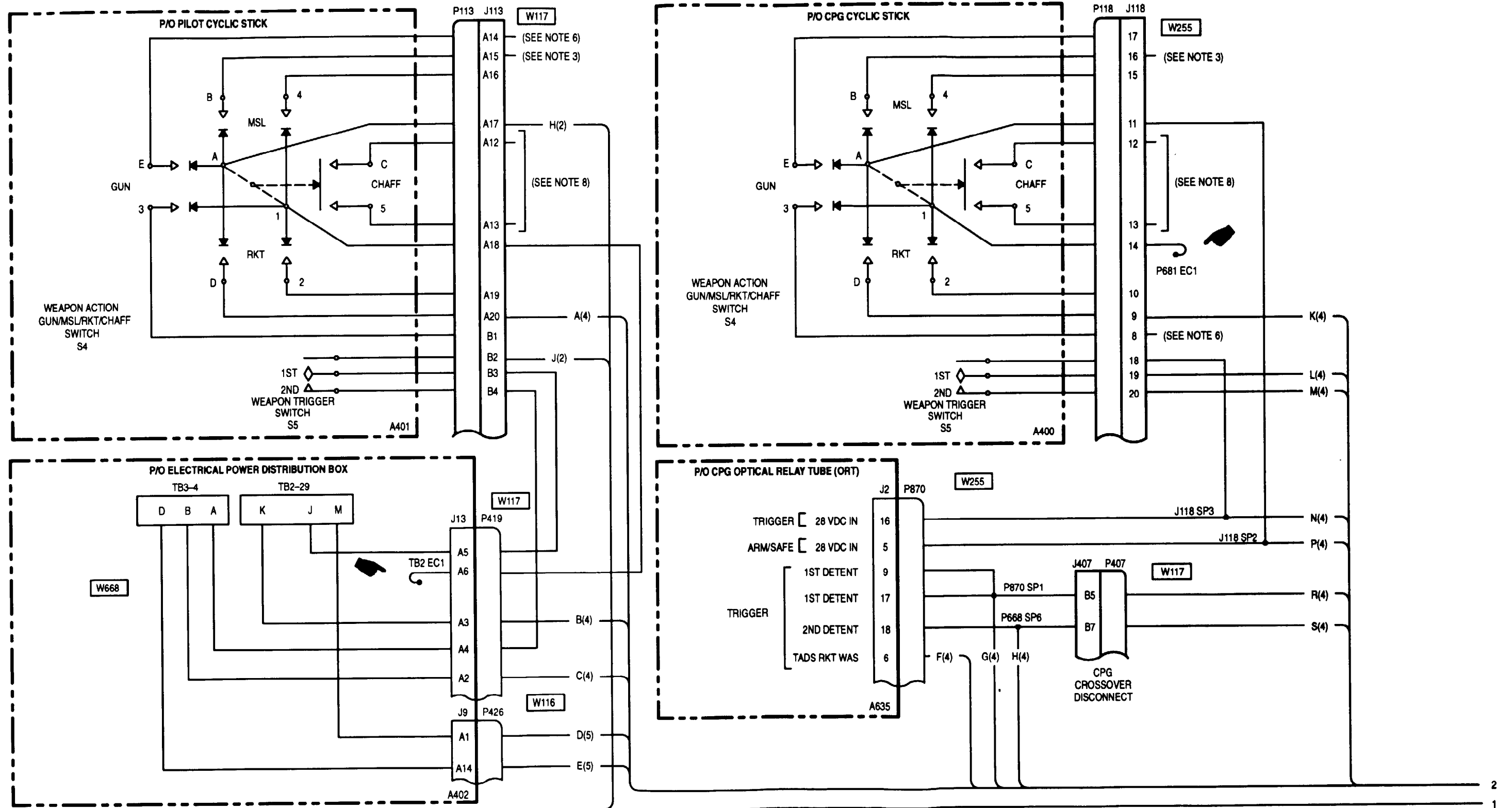


3-1. AERIAL ROCKET CONTROL SYSTEM (ARCS) - WIRING DIAGRAM (cont)

3-1

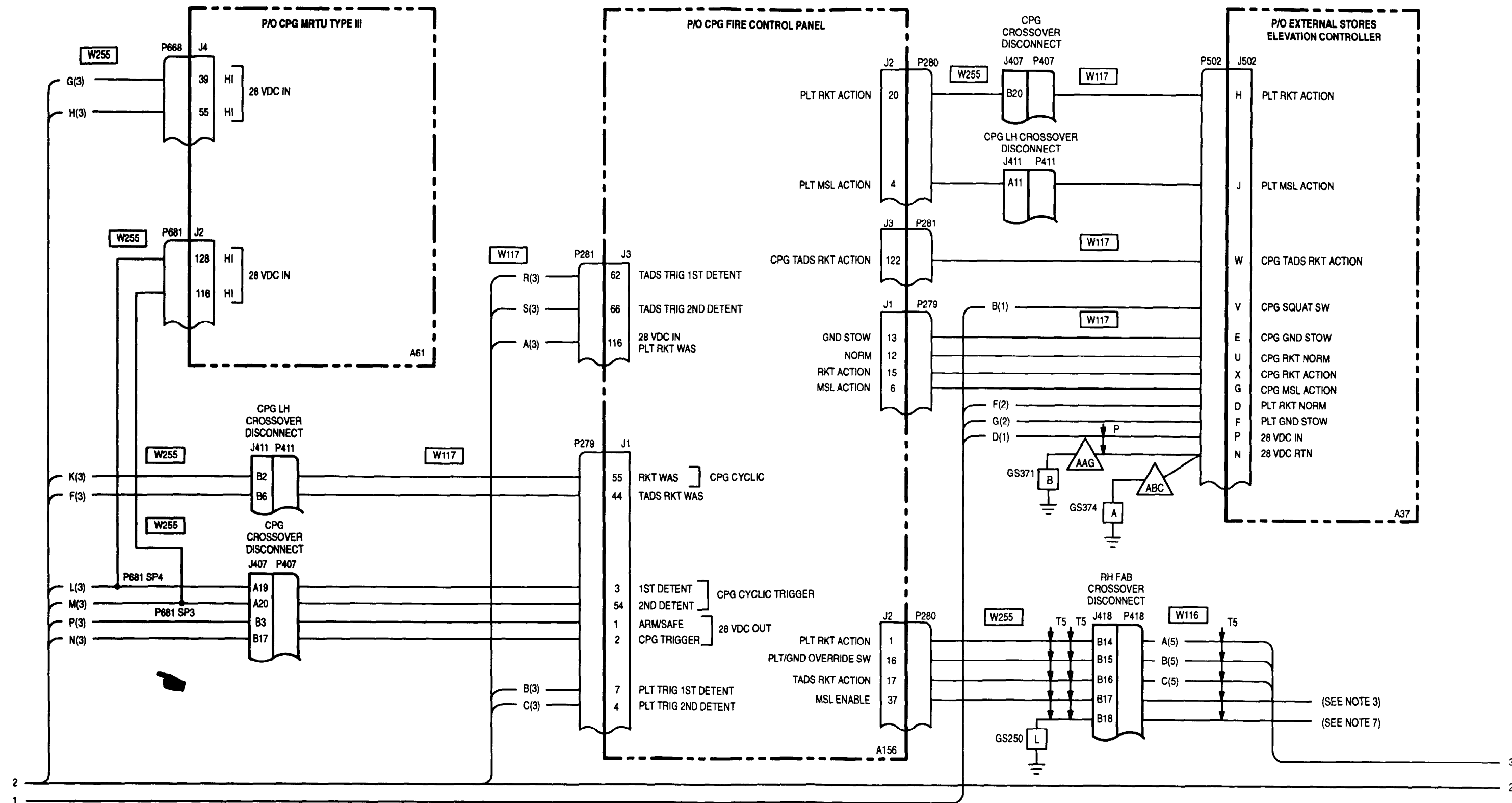


3-1. AERIAL ROCKET CONTROL SYSTEM (ARCS) - WIRING DIAGRAM (cont)

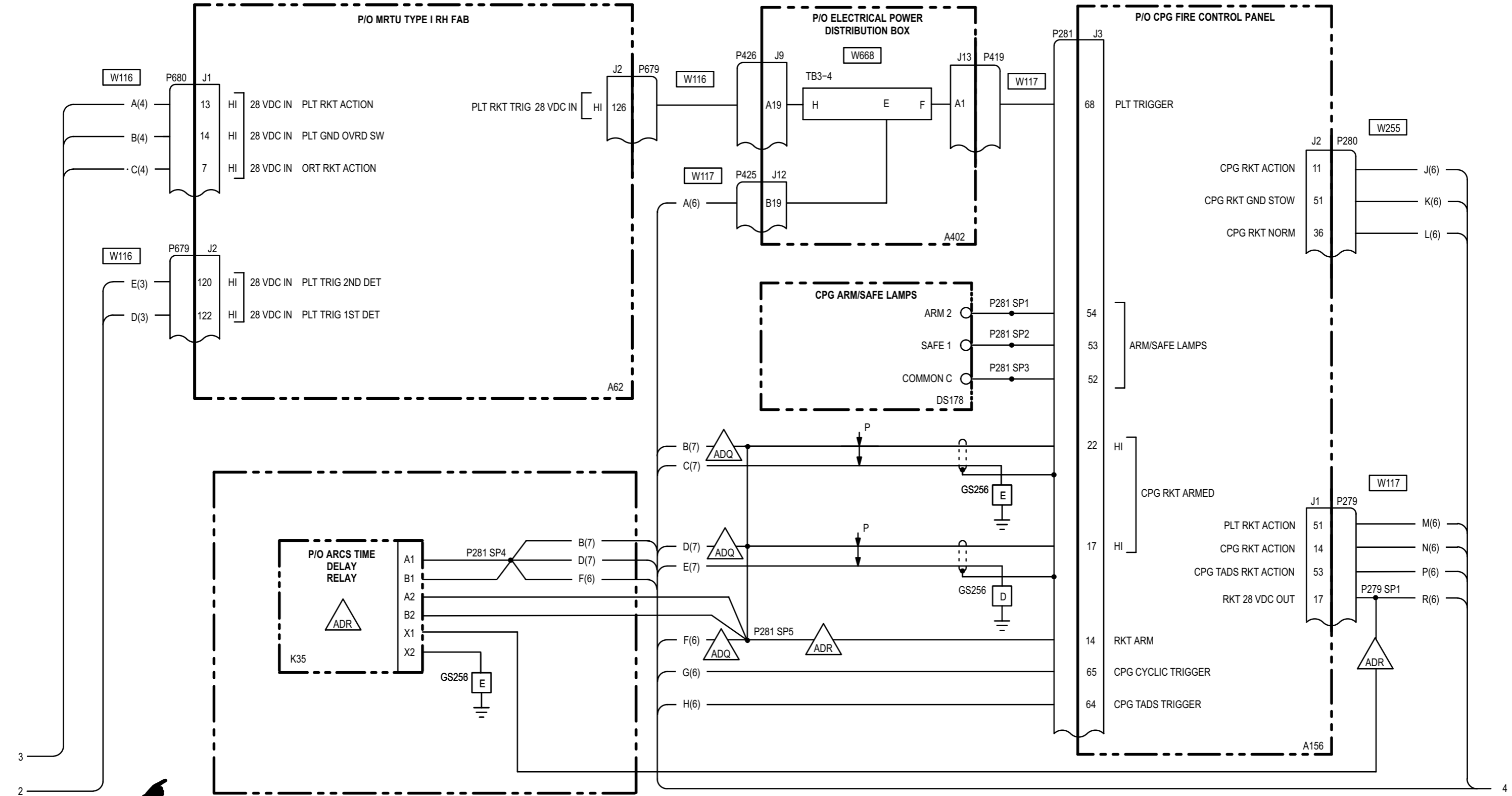


3-1. AERIAL ROCKET CONTROL SYSTEM (ARCS) - WIRING DIAGRAM (cont)

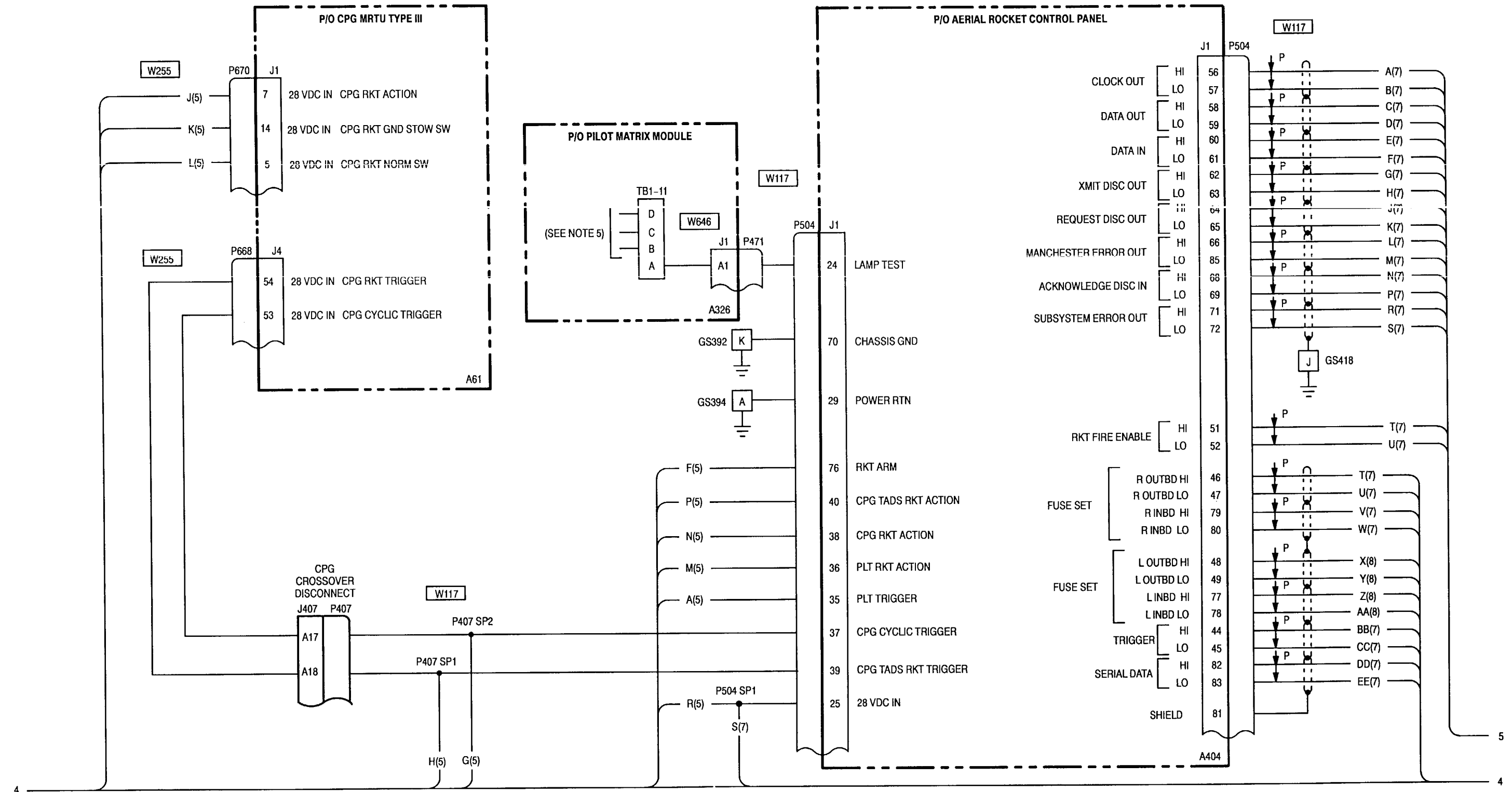
3-1



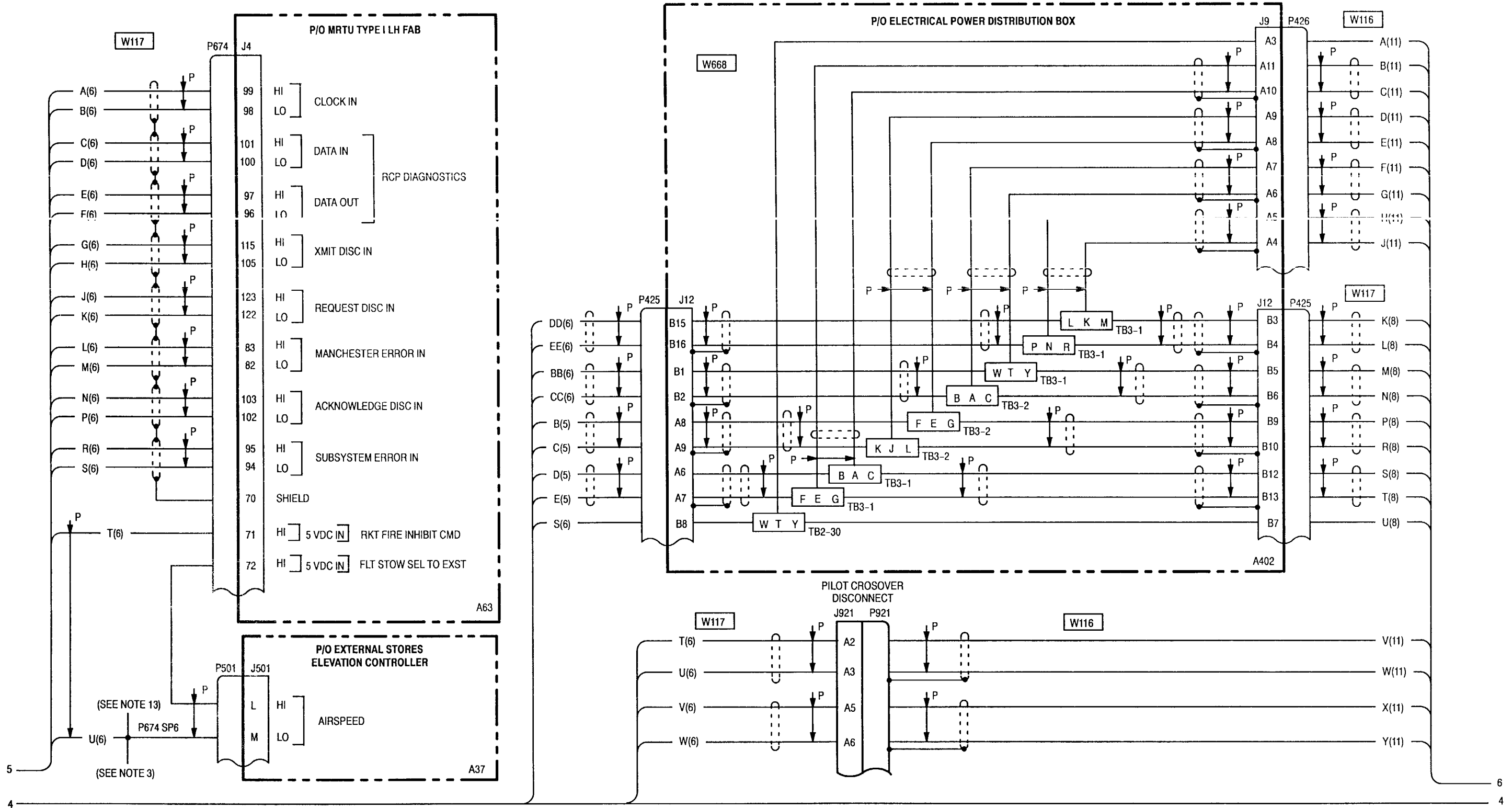
3-1. AERIAL ROCKET CONTROL SYSTEM (ARCS) - WIRING DIAGRAM (cont)



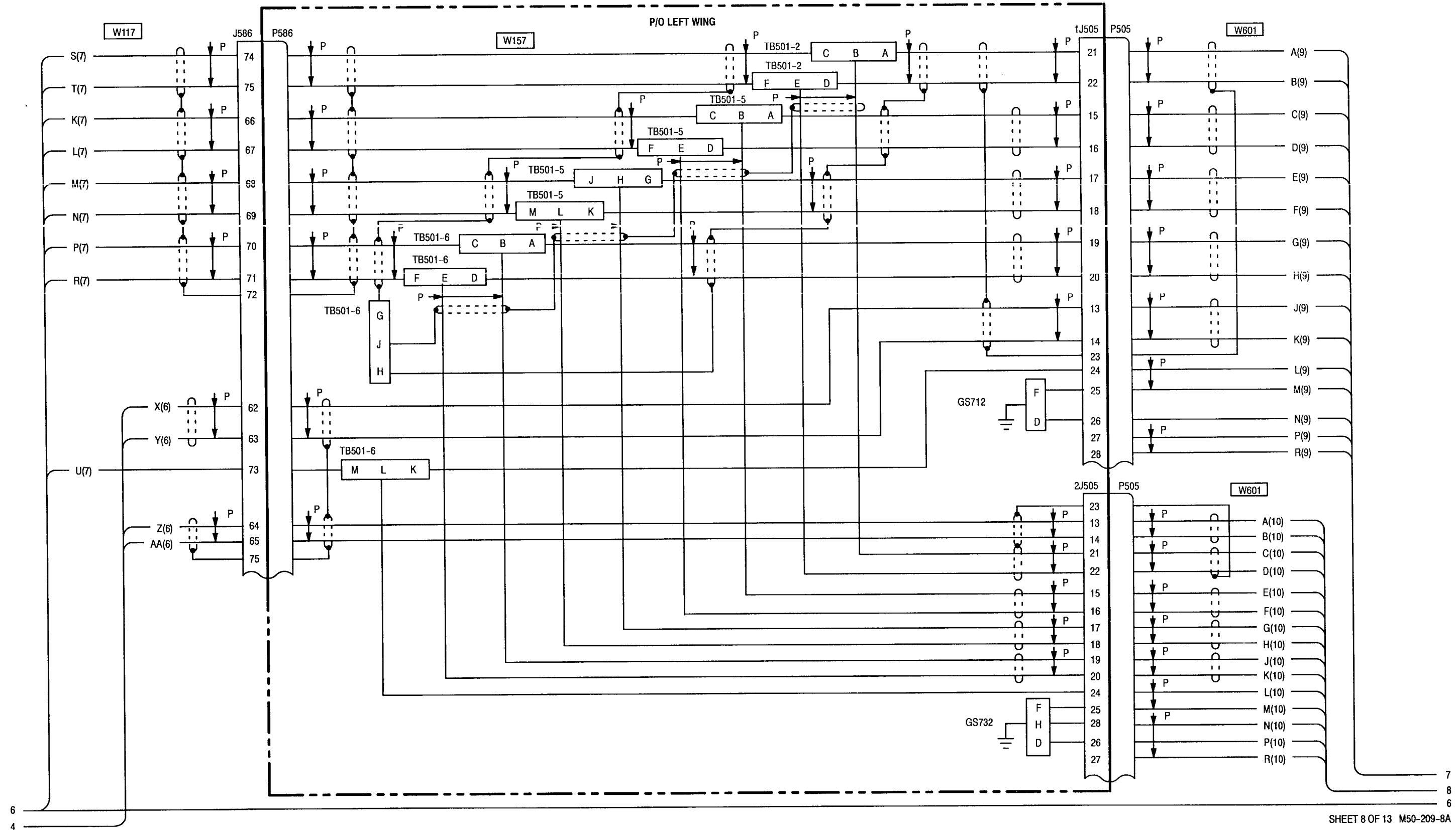
3-1. AERIAL ROCKET CONTROL SYSTEM (ARCS) - WIRING DIAGRAM (cont)



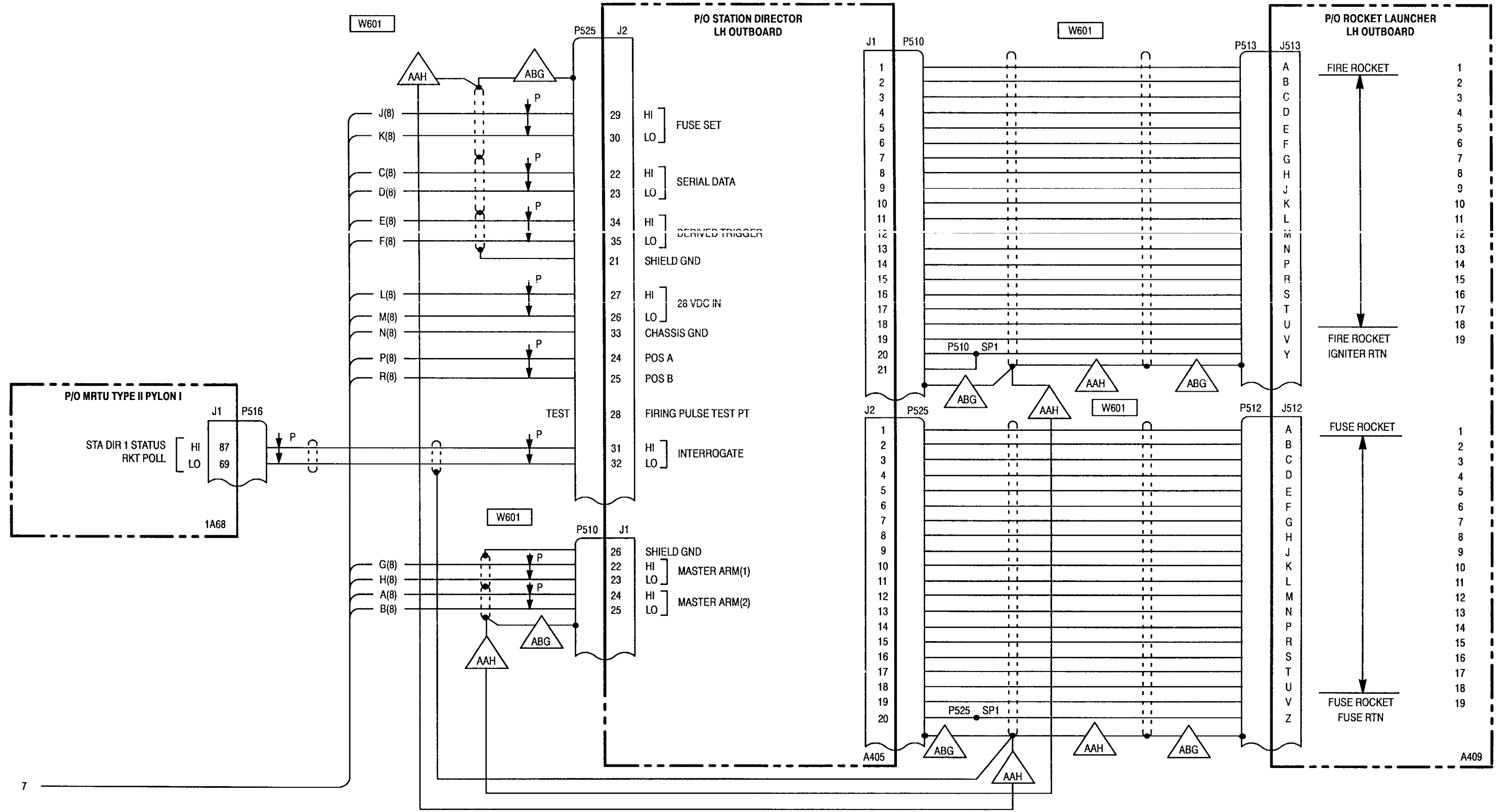
3-1. AERIAL ROCKET CONTROL SYSTEM (ARCS) - WIRING DIAGRAM (cont)



3-1. AERIAL ROCKET CONTROL SYSTEM (ARCS) - WIRING DIAGRAM (cont)



3-1. AERIAL ROCKET CONTROL SYSTEM (ARCS) - WIRING DIAGRAM (cont)



7

6

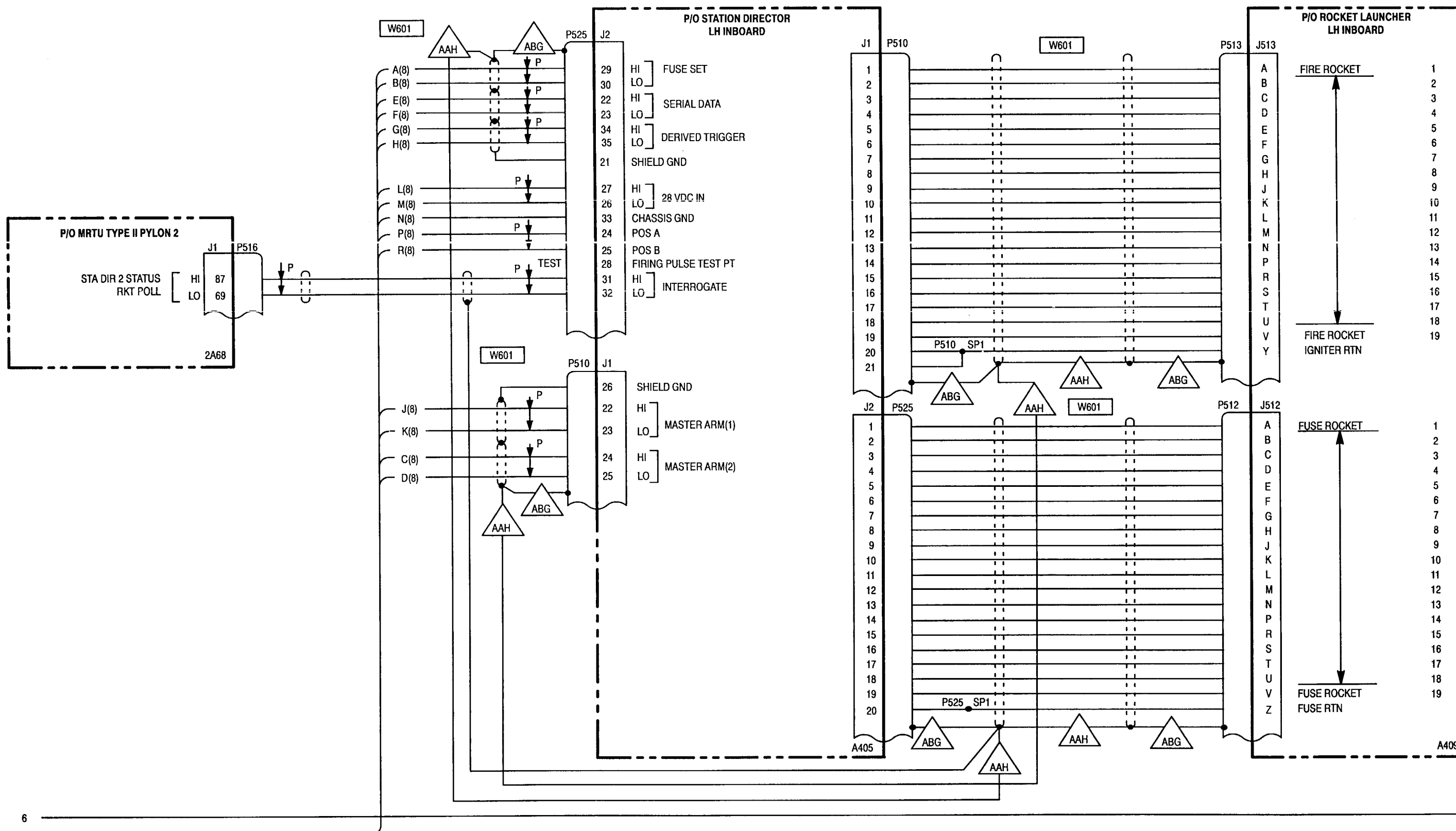
8

6

8

3-1. AERIAL ROCKET CONTROL SYSTEM (ARCS) - WIRING DIAGRAM (cont)

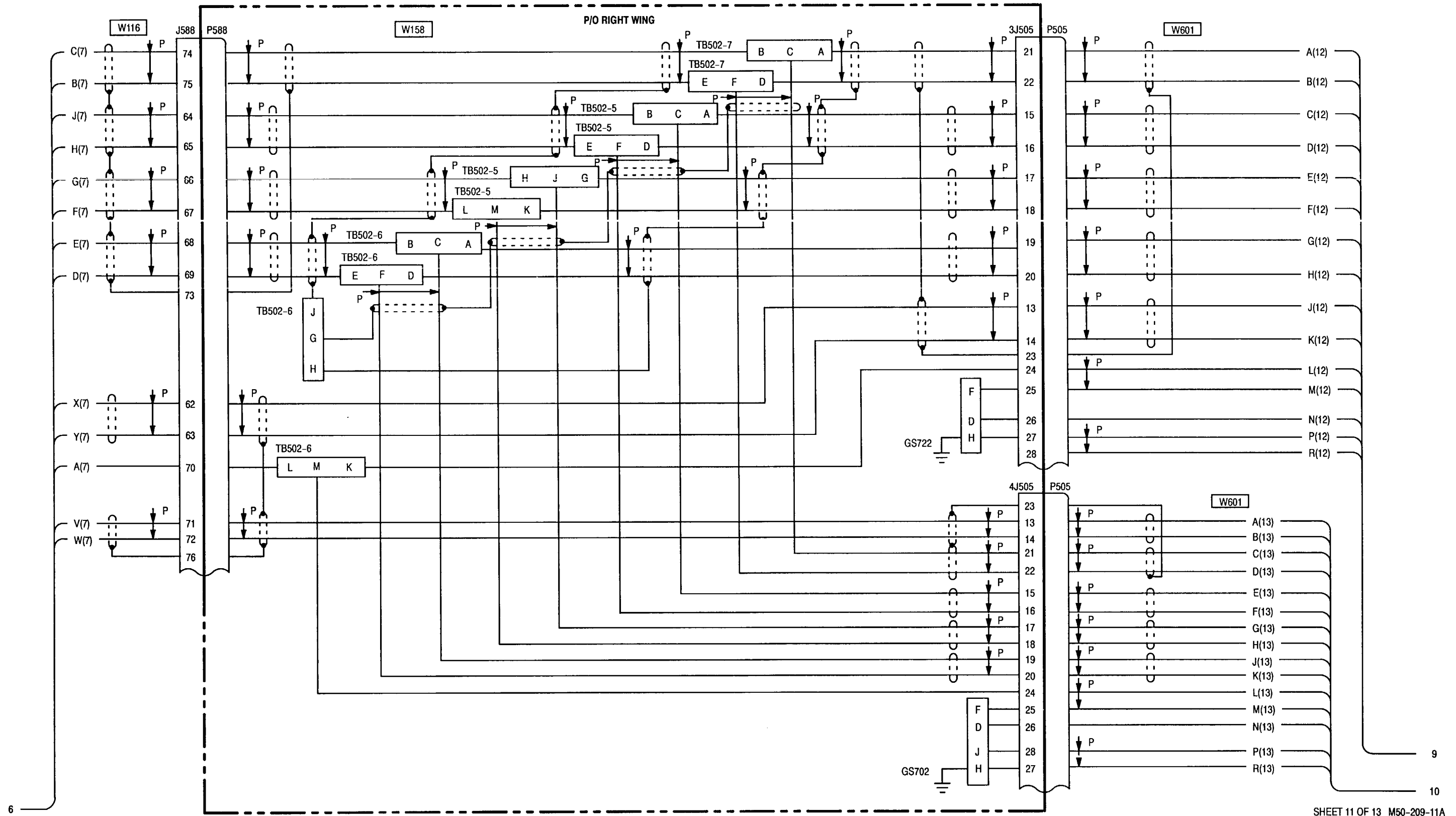
3-1



6

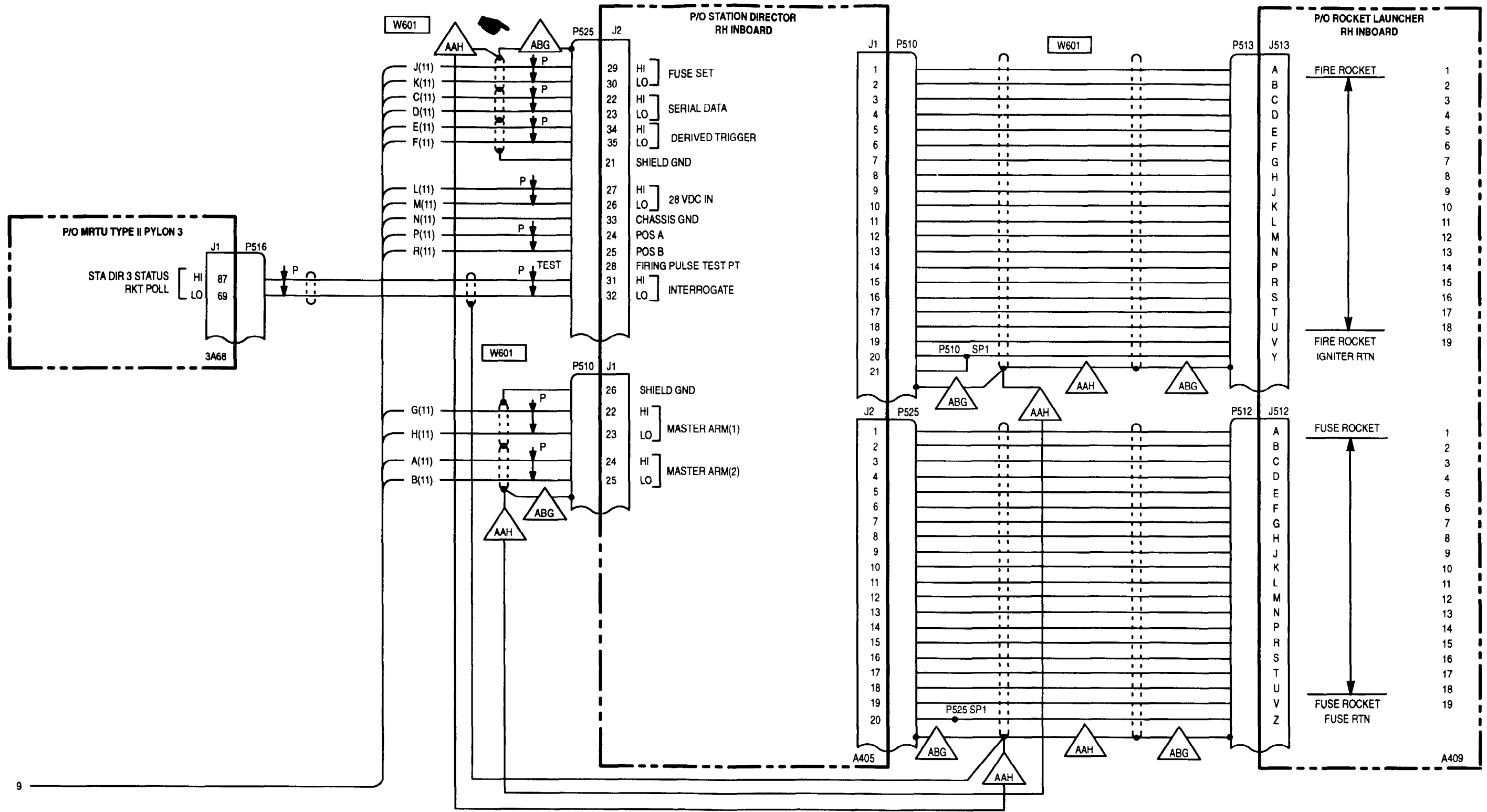
6

3-1. AERIAL ROCKET CONTROL SYSTEM (ARCS) - WIRING DIAGRAM (cont)



3-1. AERIAL ROCKET CONTROL SYSTEM (ARCS) - WIRING DIAGRAM (cont)

3-1

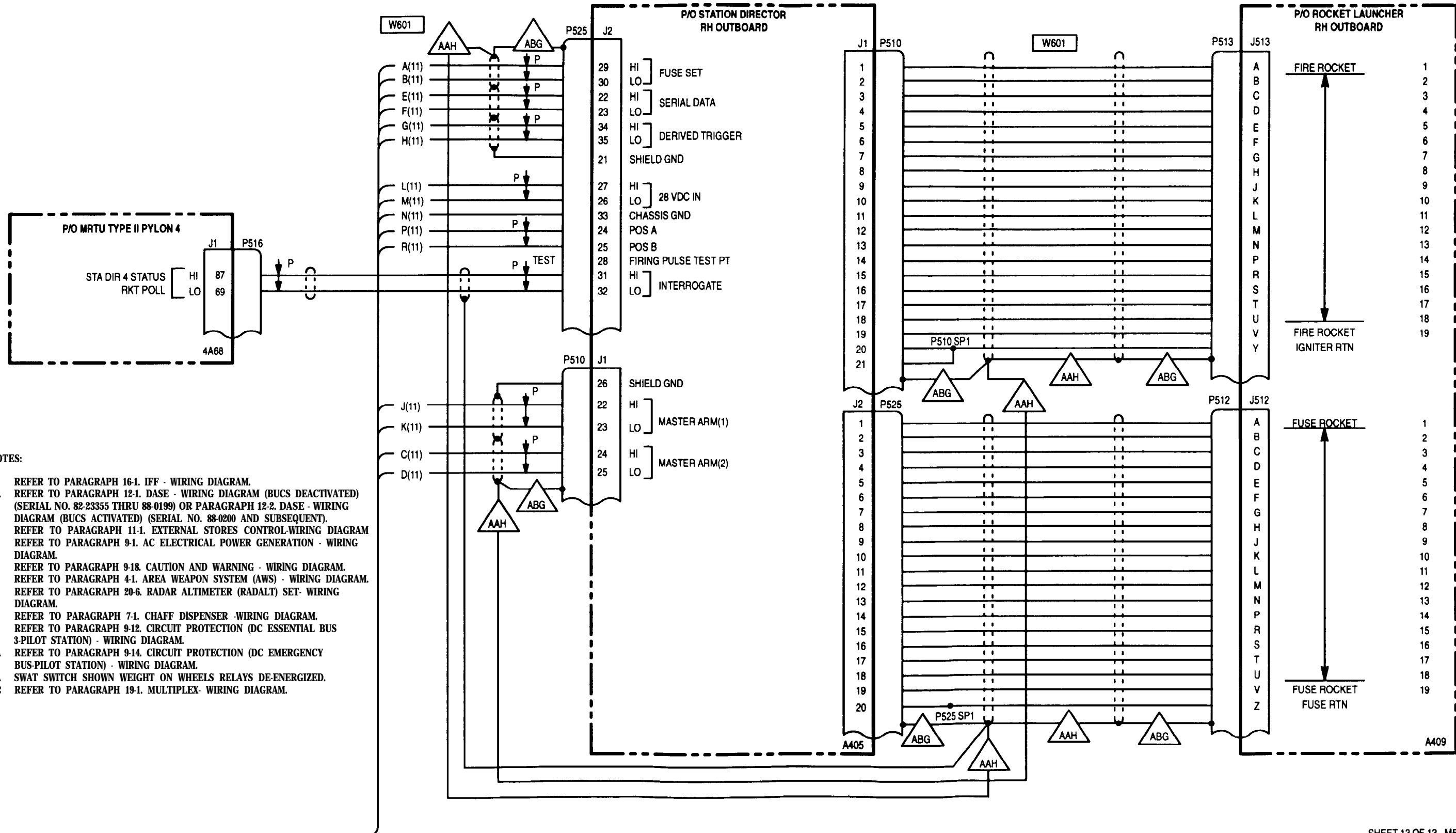


9

10

10

3-1. AERIAL ROCKET CONTROL SYSTEM (ARCS) - WIRING DIAGRAM (cont)



NOTES:

1. REFER TO PARAGRAPH 16-1. IFF - WIRING DIAGRAM.
2. REFER TO PARAGRAPH 12-1. DASE - WIRING DIAGRAM (BUCS DEACTIVATED) (SERIAL NO. 82-23355 THRU 88-0199) OR PARAGRAPH 12-2. DASE - WIRING DIAGRAM (BUCS ACTIVATED) (SERIAL NO. 88-0200 AND SUBSEQUENT).
3. REFER TO PARAGRAPH 11-1. EXTERNAL STORES CONTROL-WIRING DIAGRAM
4. REFER TO PARAGRAPH 9-1. AC ELECTRICAL POWER GENERATION - WIRING DIAGRAM.
5. REFER TO PARAGRAPH 9-18. CAUTION AND WARNING - WIRING DIAGRAM.
6. REFER TO PARAGRAPH 4-1. AREA WEAPON SYSTEM (AWS) - WIRING DIAGRAM.
7. REFER TO PARAGRAPH 20-6. RADAR ALTIMETER (RADALT) SET - WIRING DIAGRAM.
8. REFER TO PARAGRAPH 7-1. CHAFF DISPENSER - WIRING DIAGRAM.
9. REFER TO PARAGRAPH 9-12. CIRCUIT PROTECTION (DC ESSENTIAL BUS 3-PILOT STATION) - WIRING DIAGRAM.
10. REFER TO PARAGRAPH 9-14. CIRCUIT PROTECTION (DC EMERGENCY BUS-PILOT STATION) - WIRING DIAGRAM.
11. SWAT SWITCH SHOWN WEIGHT ON WHEELS RELAYS DE-ENERGIZED.
12. REFER TO PARAGRAPH 19-1. MULTIPLEX - WIRING DIAGRAM.

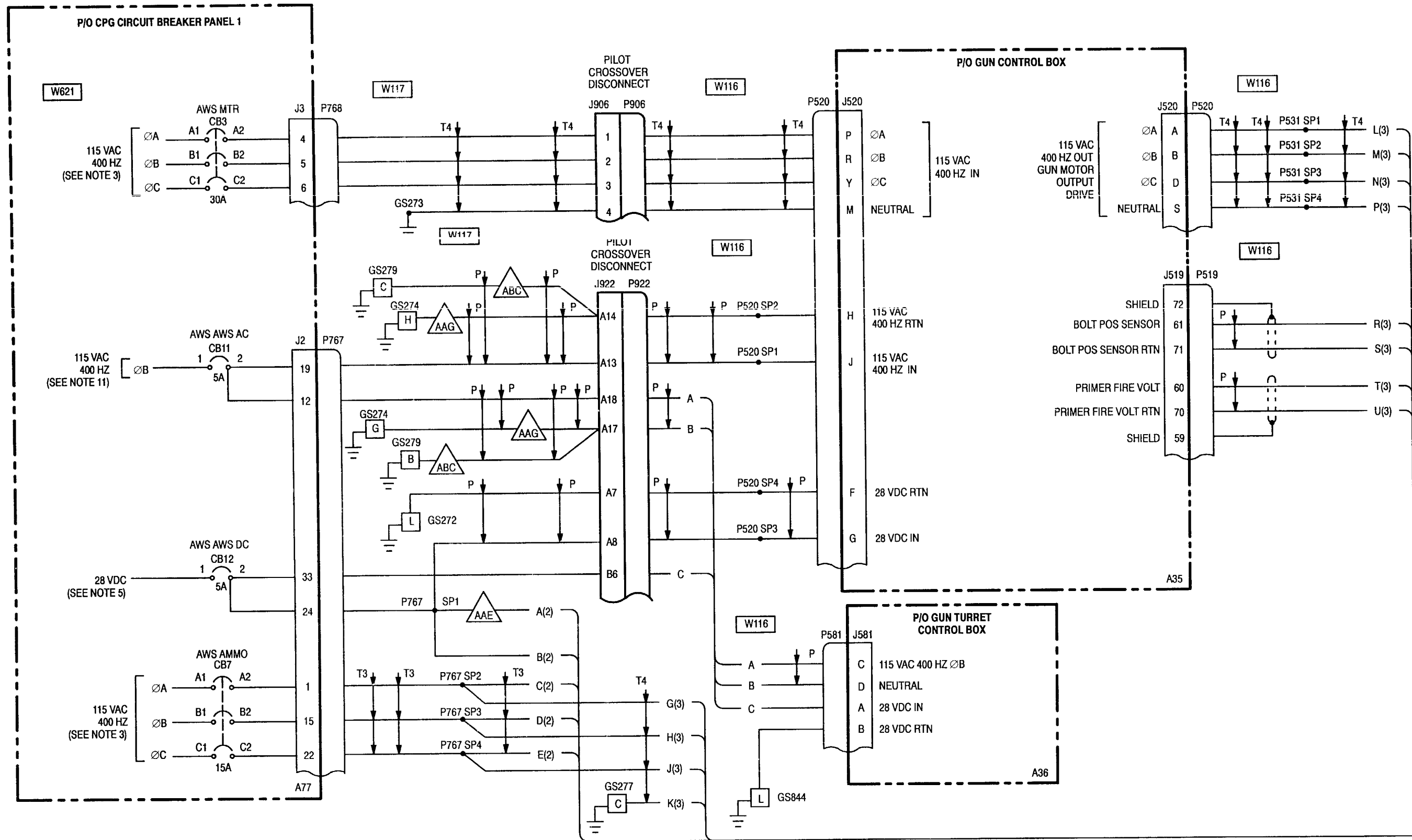
CHAPTER 4. AREA WEAPON SYSTEM (AWS) WIRING DIAGRAM

CHAPTER OVERVIEW

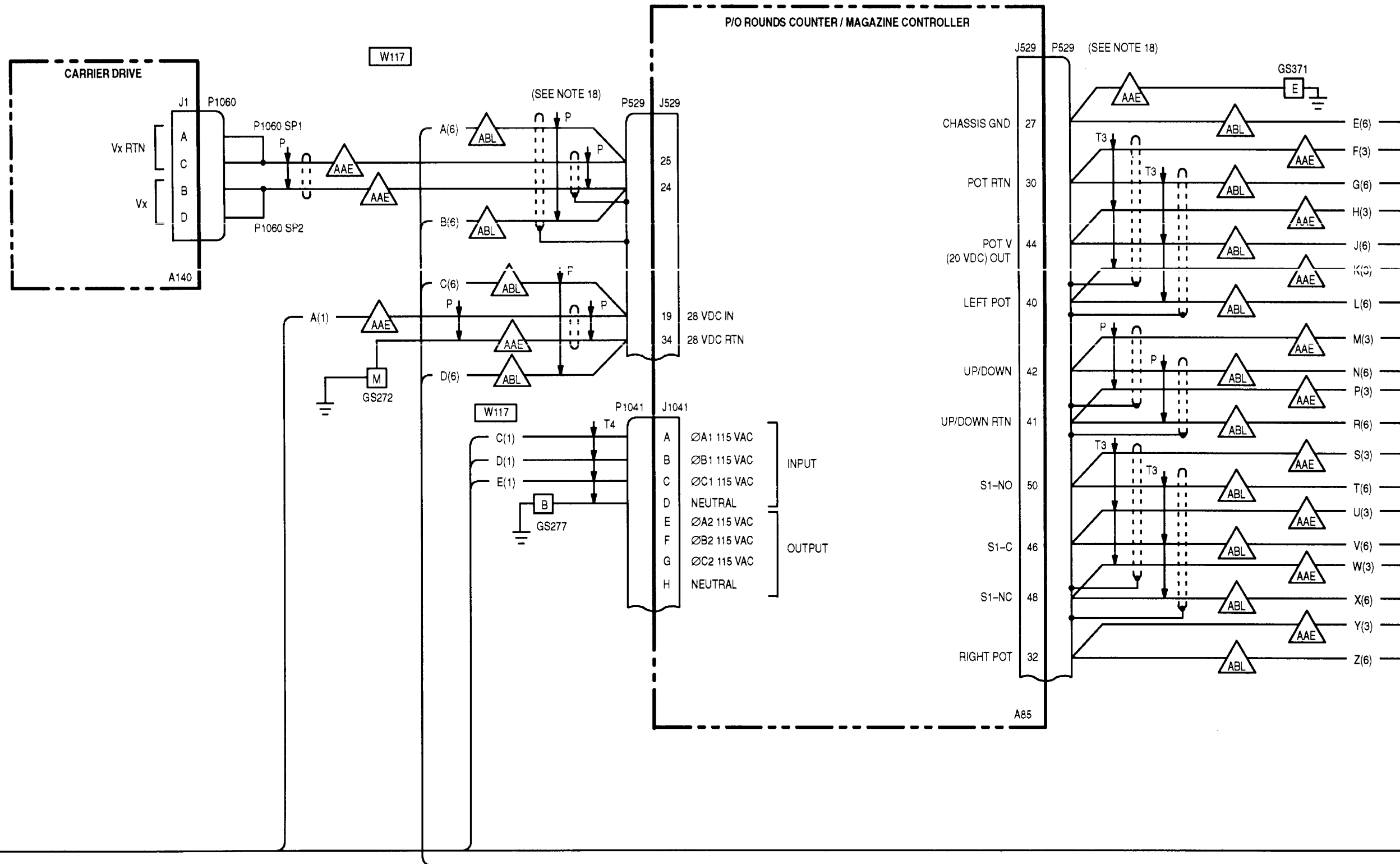
Chapter 4 contains the wiring diagram required for troubleshooting the area weapon system (AWS).

<u>Para Title</u>	<u>Para No.</u>
Area Weapon System (AWS) - Wiring Diagram	4-1

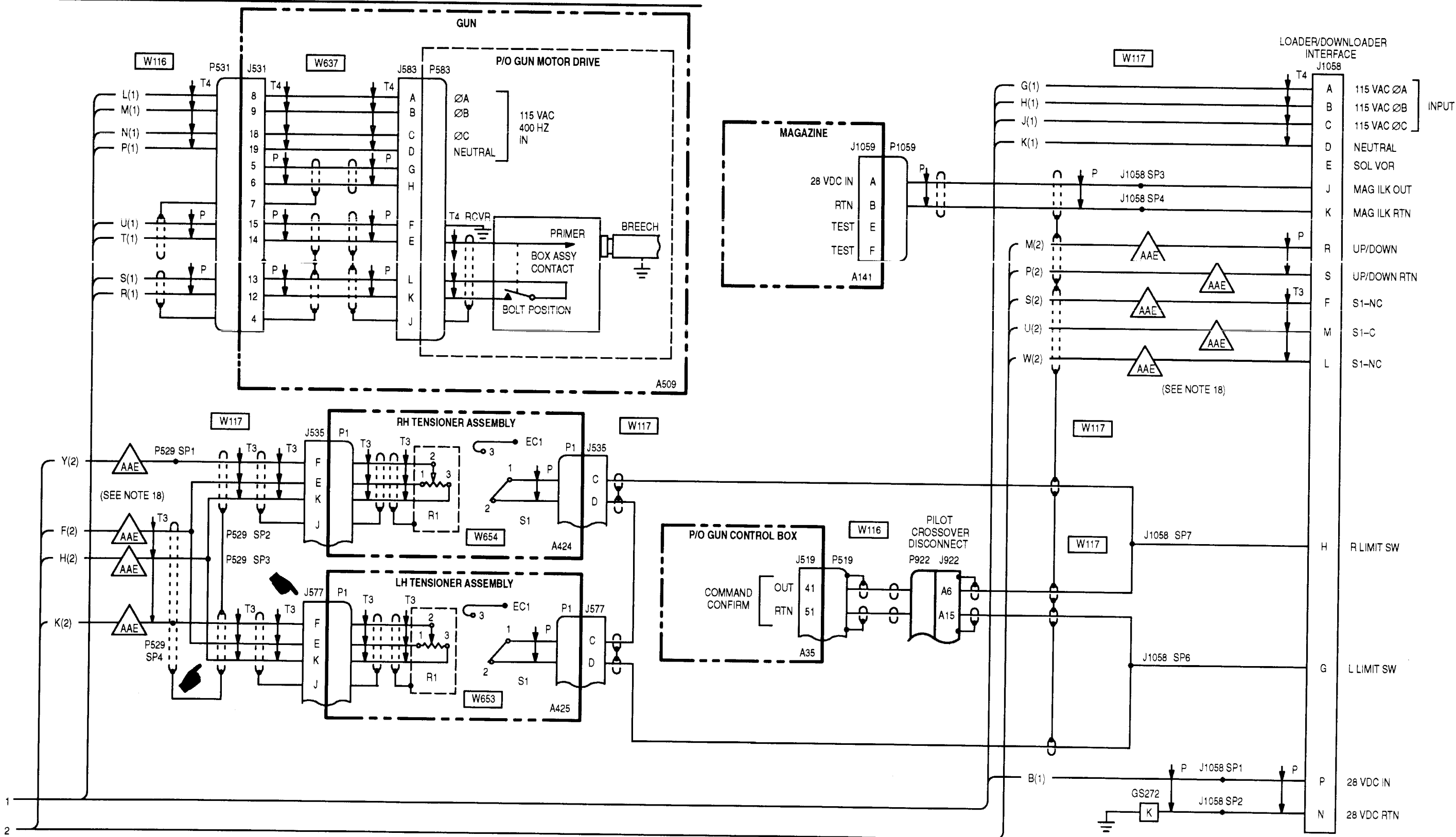
4-1. AREA WEAPON SYSTEM (AWS) - WIRING DIAGRAM



4-1. AREA WEAPON SYSTEM (AWS) - WIRING DIAGRAM (cont)

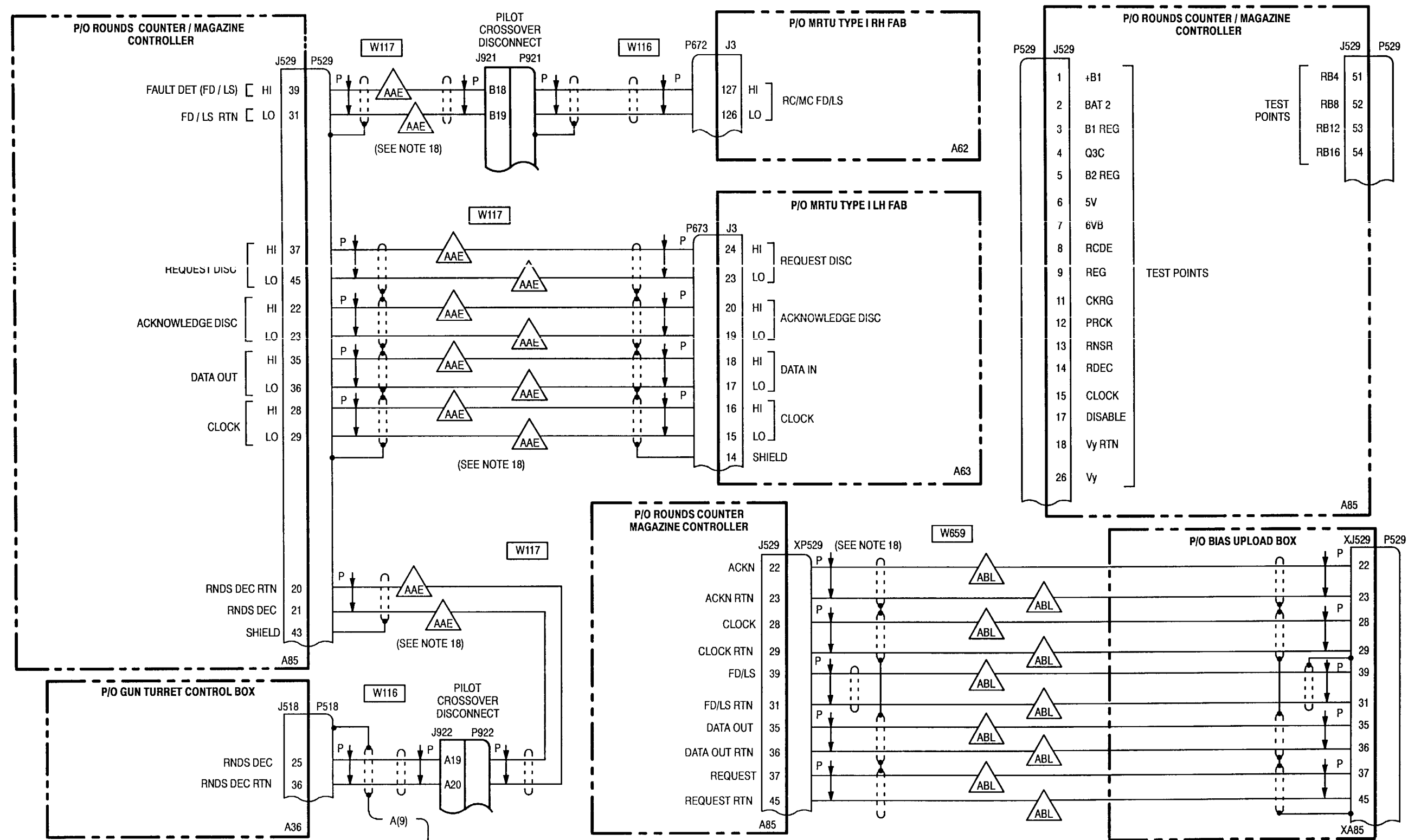


4-1. AREA WEAPON SYSTEM (AWS) - WIRING DIAGRAM (cont)



4-1. AREA WEAPON SYSTEM (AWS) - WIRING DIAGRAM (cont)

4-1



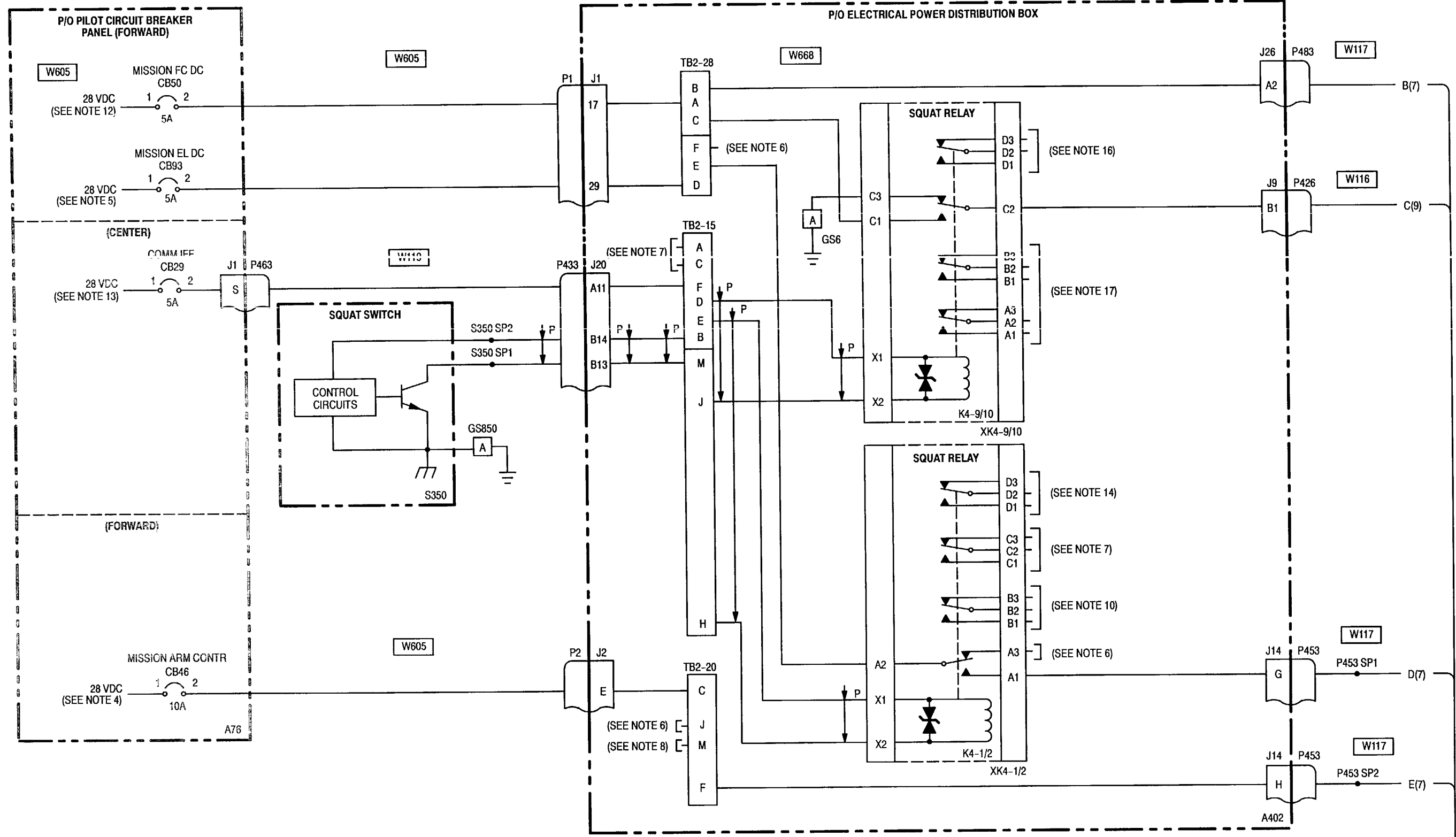
2

2

3

4-5

4-1. AREA WEAPON SYSTEM (AWS) - WIRING DIAGRAM (cont)

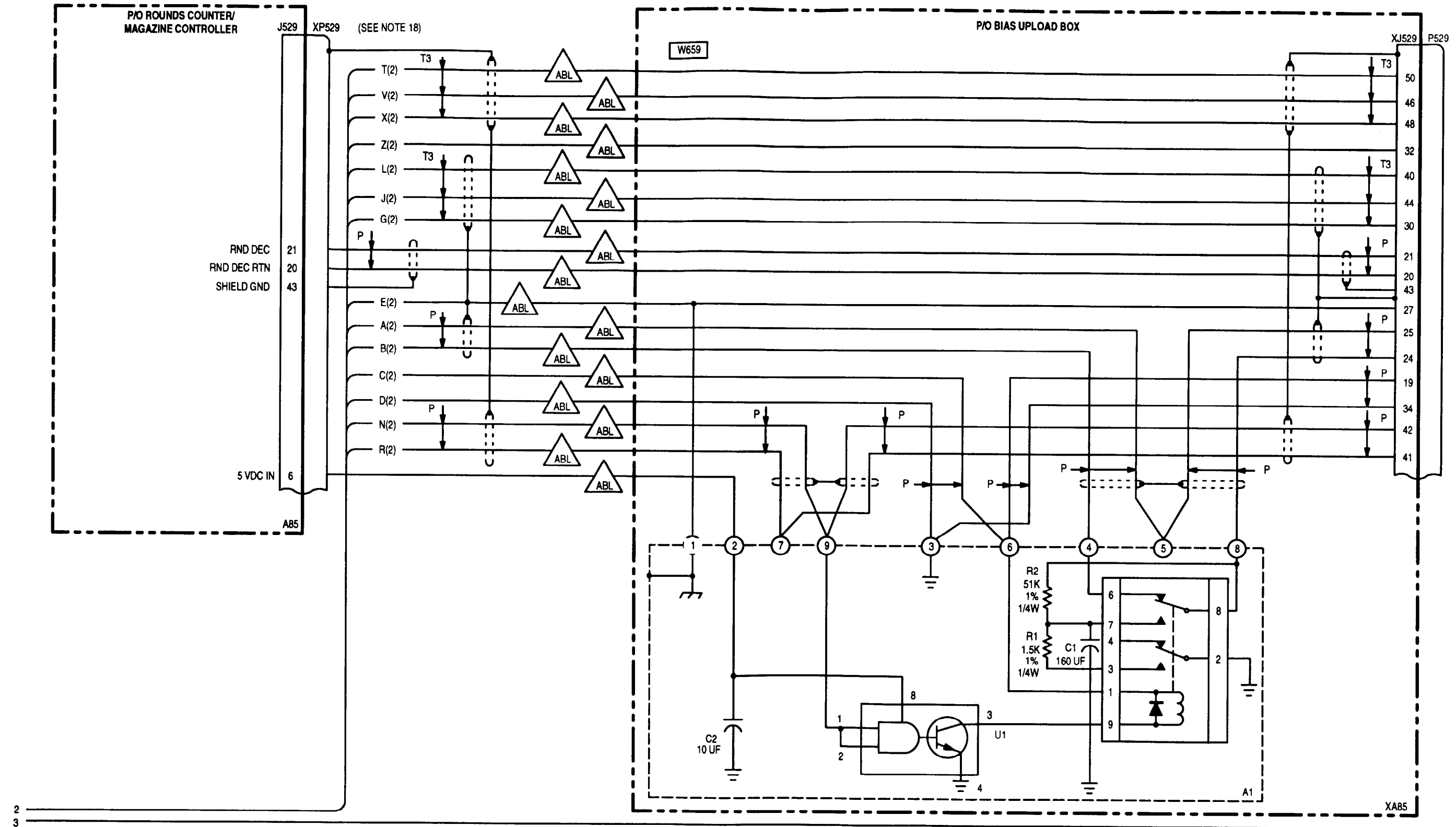


2
3
3

SHEET 5 OF 13 M50-232-5A

4-1. AREA WEAPON SYSTEM (AWS) - WIRING DIAGRAM (cont)

4-1

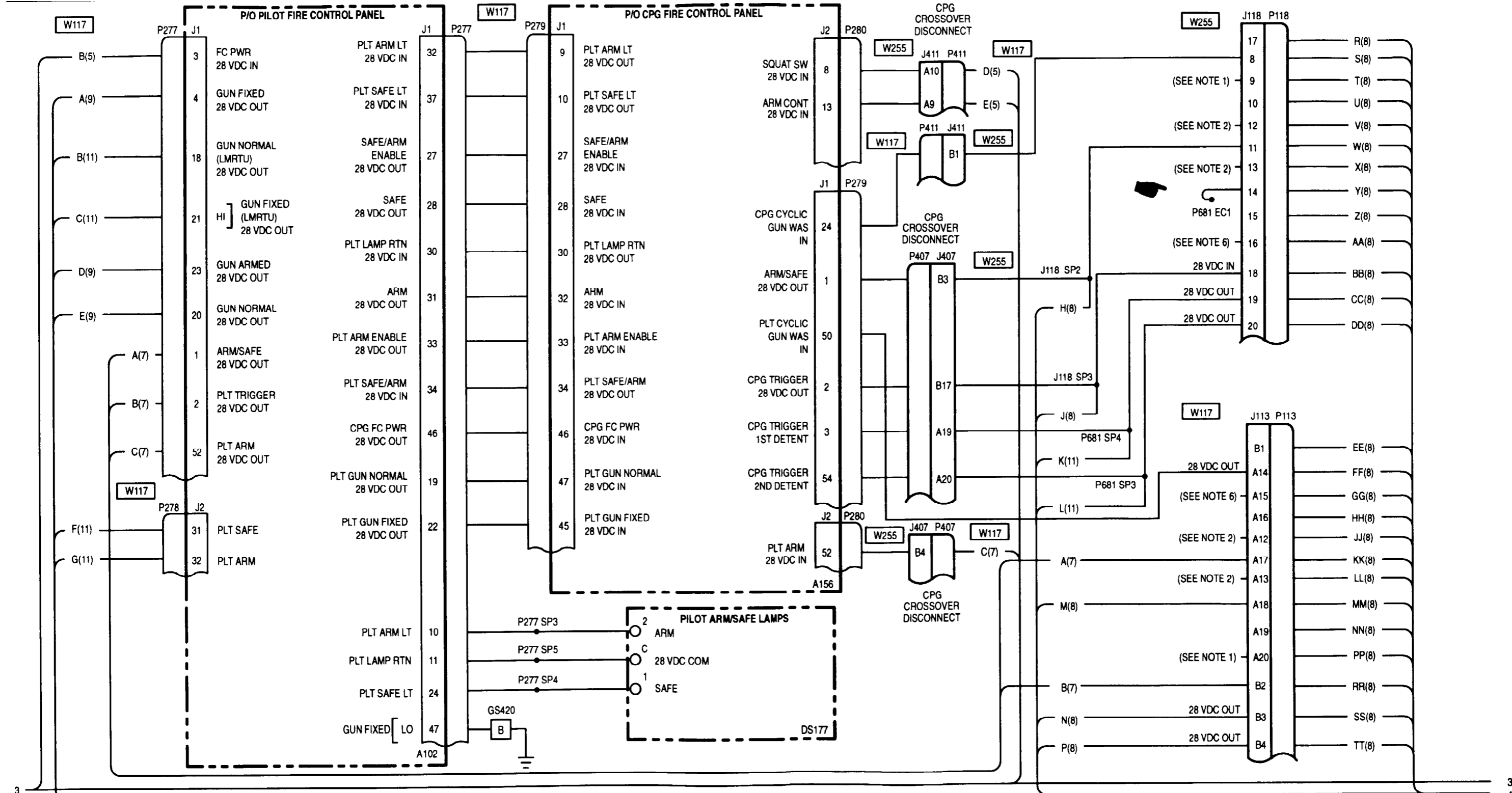


2
3

3

4-7

4-1. AREA WEAPON SYSTEM (AWS) -WIRING DIAGRAM (cont)

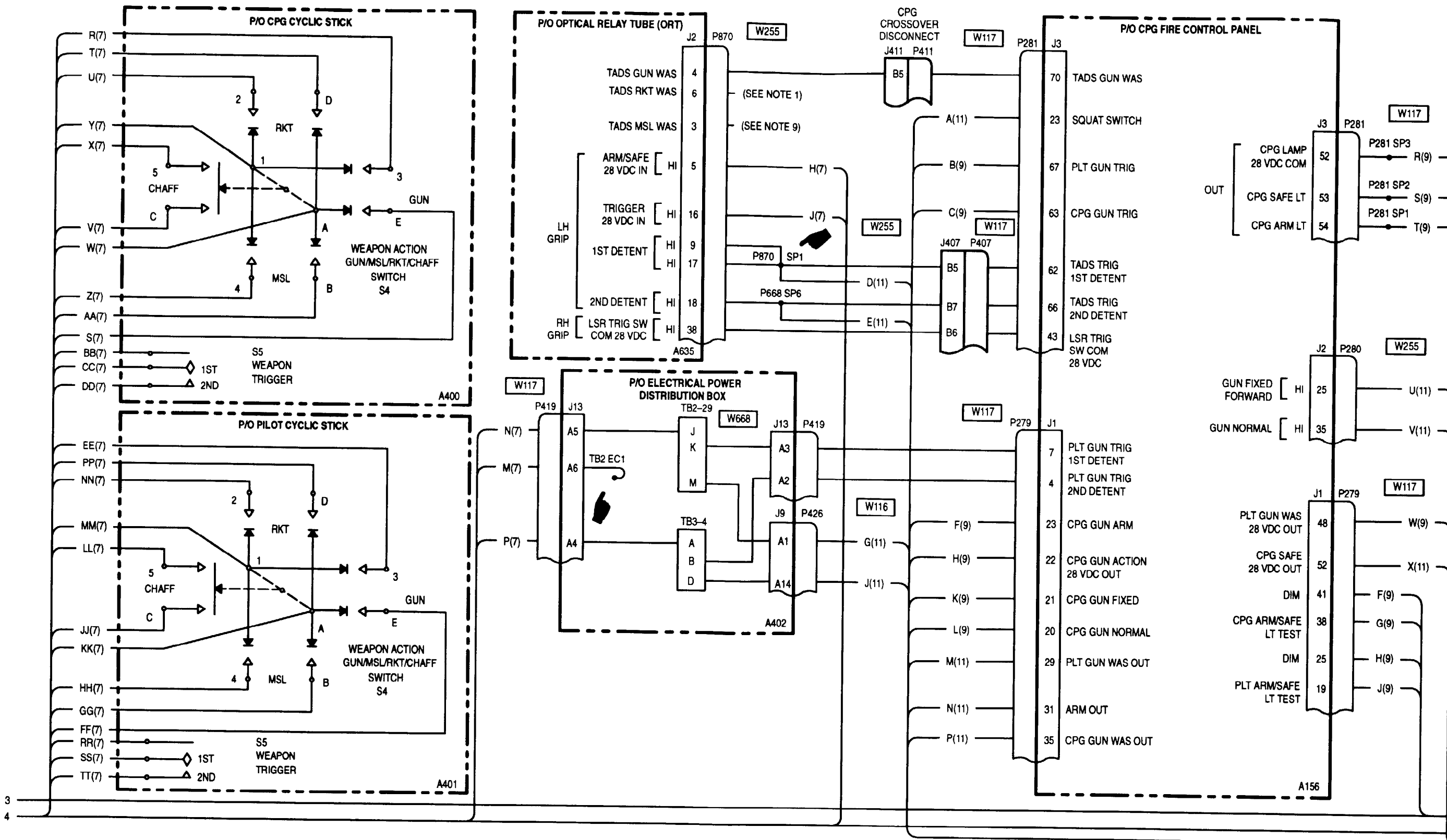


3

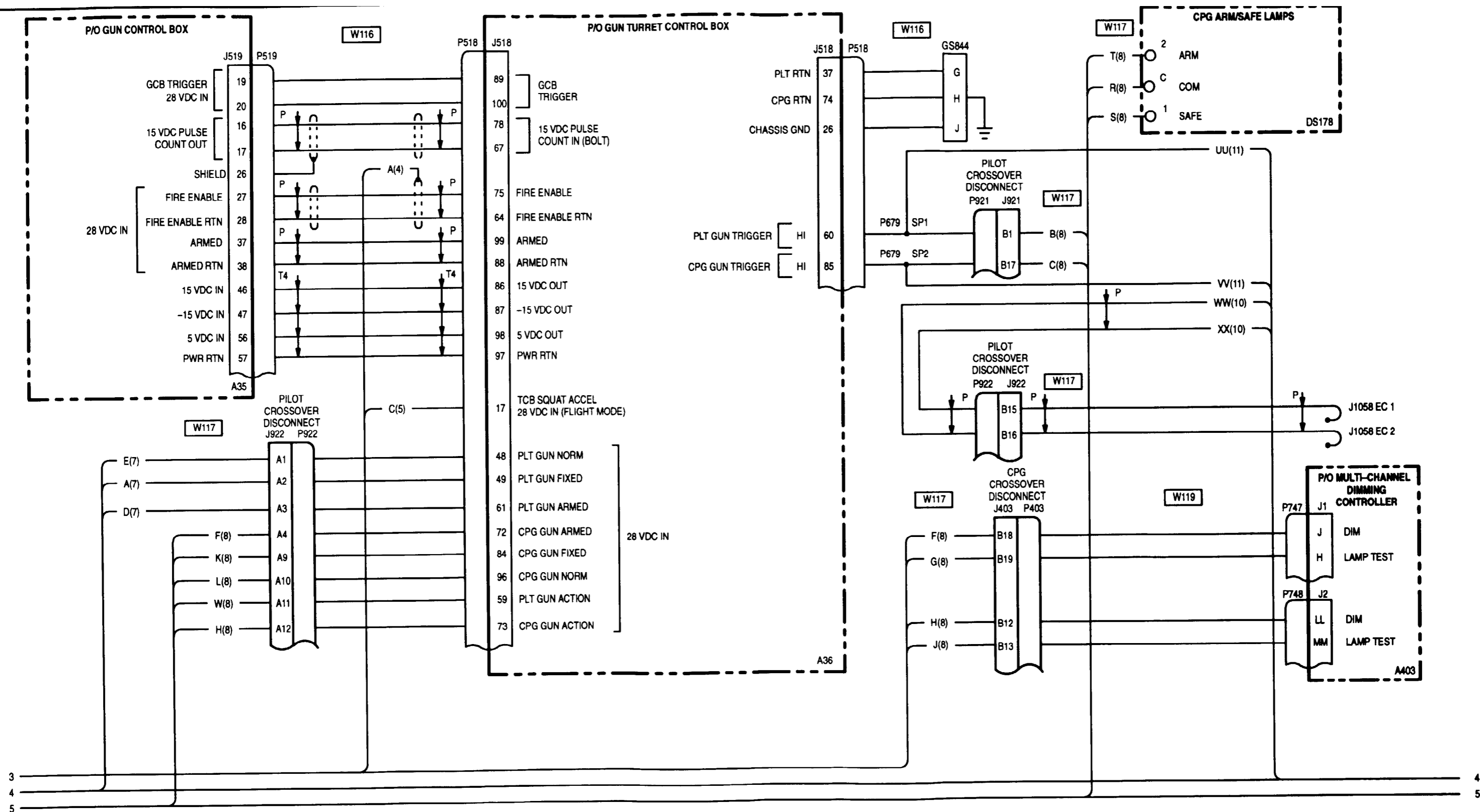
4

4-1. AREA WEAPON SYSTEM (AWS) - WIRING DIAGRAM (cont)

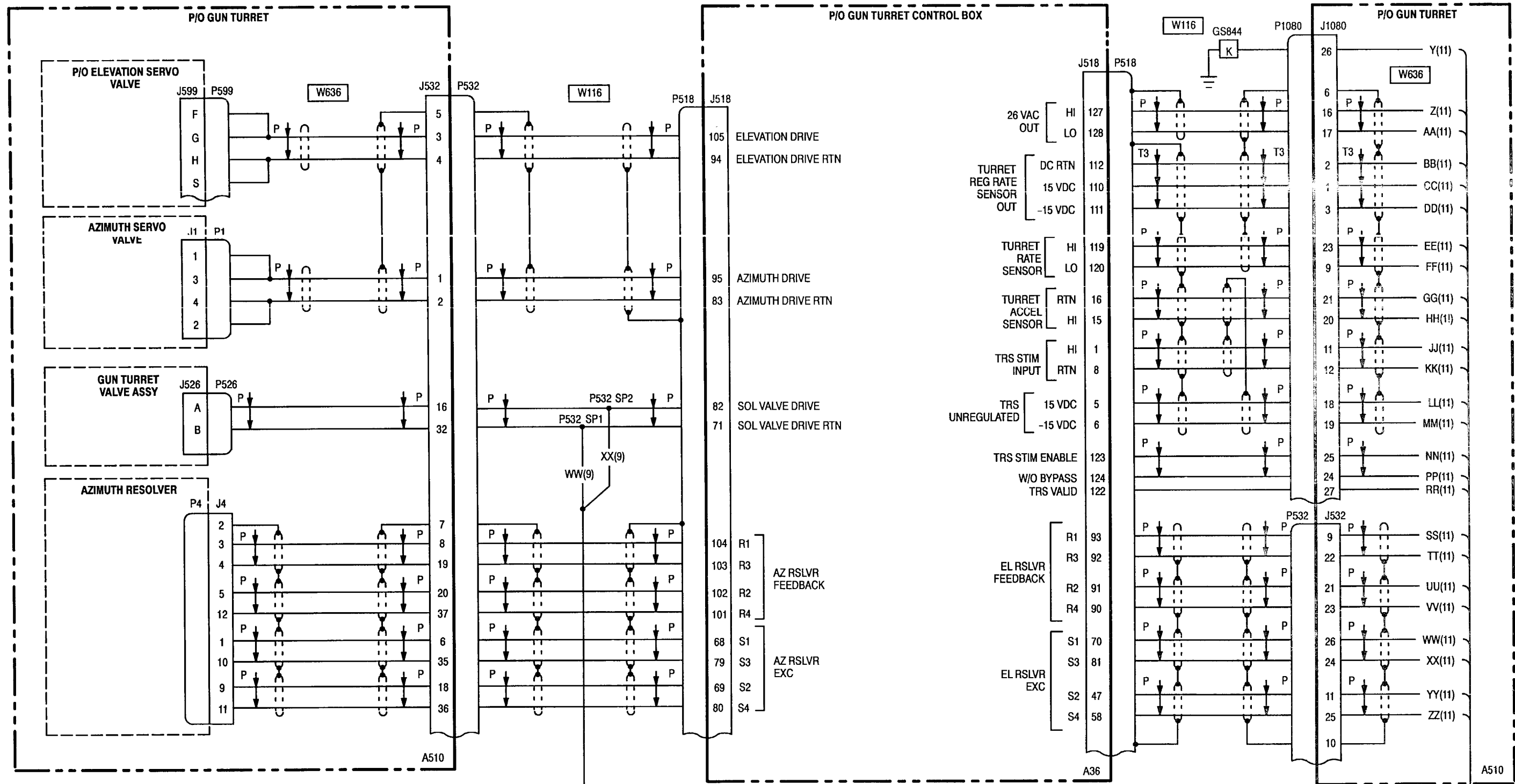
4-1



4-1. AREA WEAPON SYSTEM (AWS) - WIRING DIAGRAM (cont)

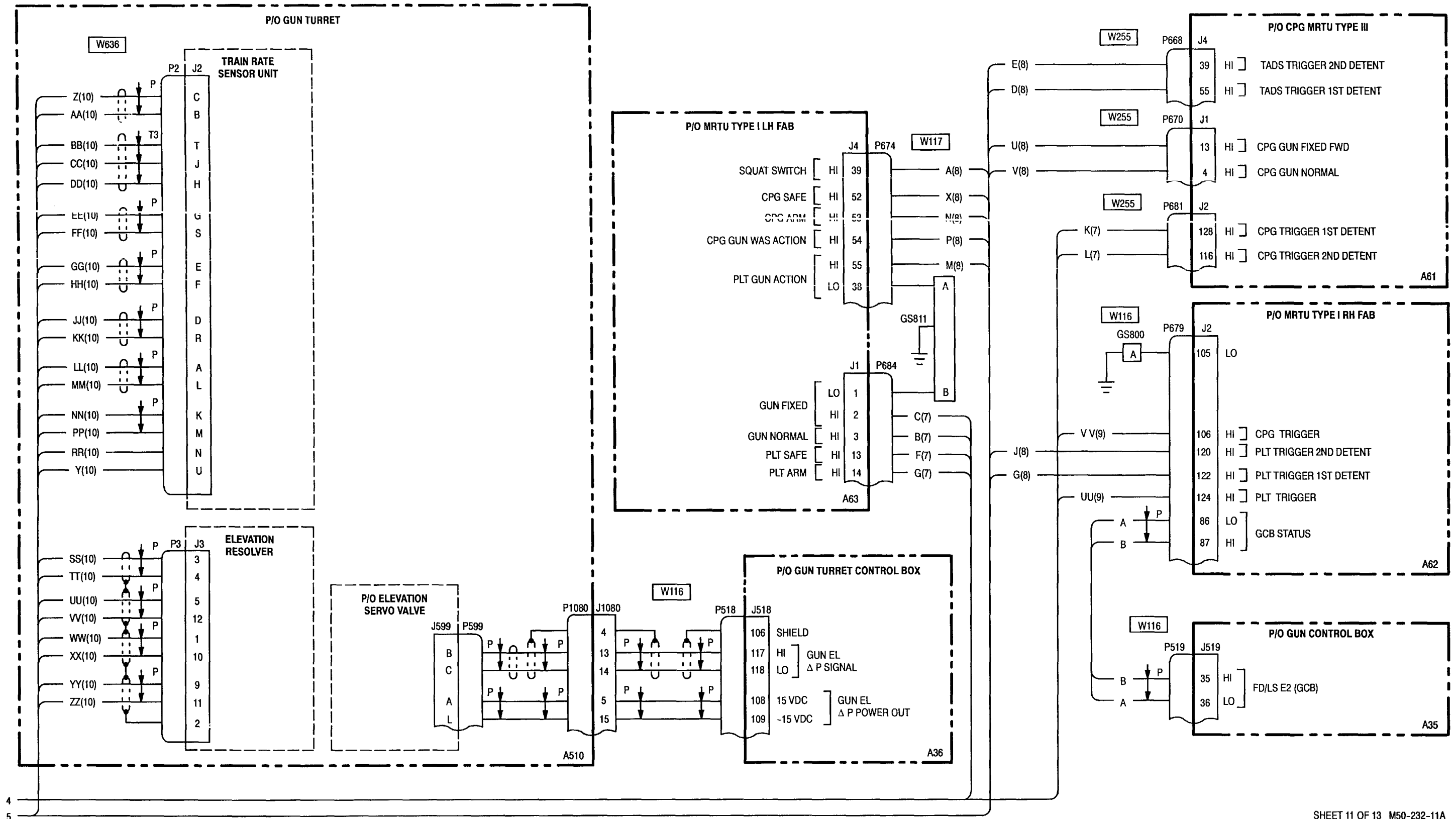


4-1. AREA WEAPON SYSTEM (AWS) - WIRING DIAGRAM (cont)



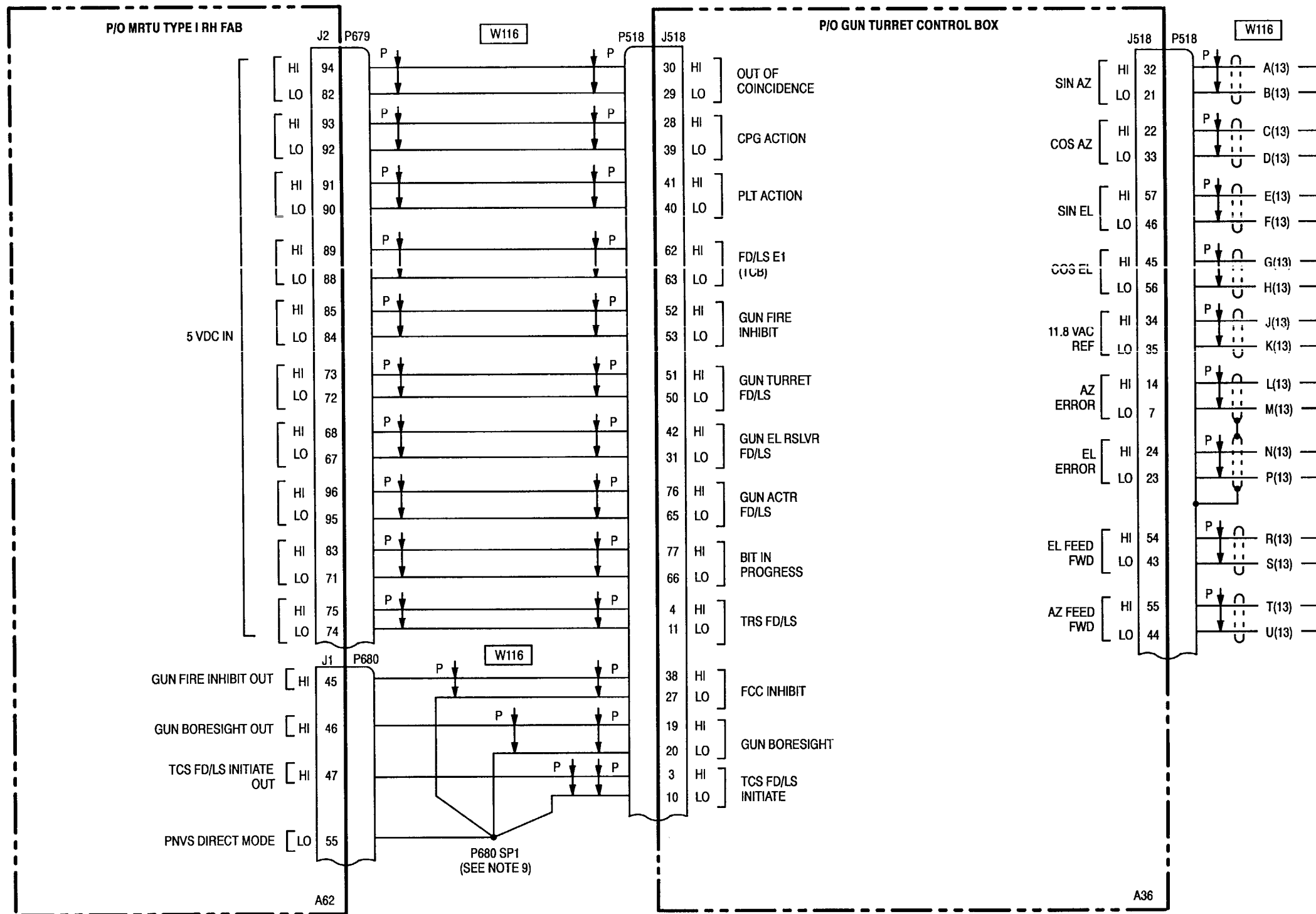
4
5

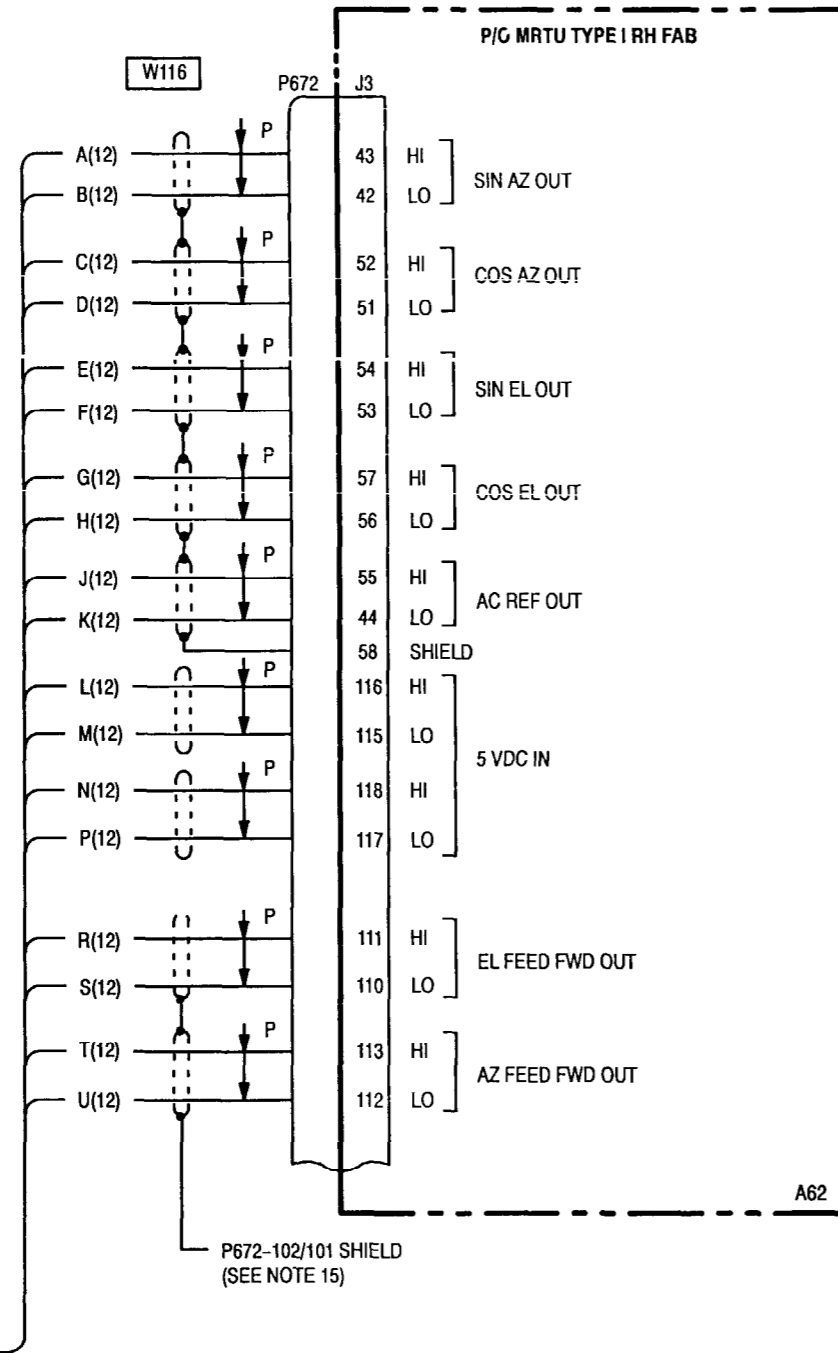
4-1. AREA WEAPON SYSTEM (AWS) - WIRING DIAGRAM (cont)



4
5

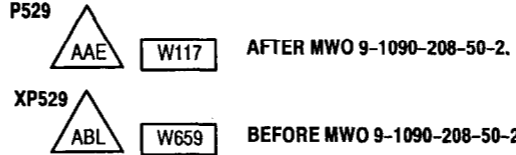
4-1. AREA WEAPON SYSTEM (AWS) - WIRING DIAGRAM (cont)





NOTES:

1. REFER TO PARAGRAPH 3-1. AERIAL ROCKET CONTROL SYSTEM (ARCS) - WIRING DIAGRAM.
2. REFER TO PARAGRAPH 7-1. CHAFF DISPENSER - WIRING DIAGRAM.
3. REFER TO PARAGRAPH 9-8. CIRCUIT PROTECTION (AC ESSENTIAL BUS 2-CPG STATION) - WIRING DIAGRAM.
4. REFER TO PARAGRAPH 9-11. CIRCUIT PROTECTION (DC ESSENTIAL BUS 2-PILOT STATION) - WIRING DIAGRAM.
5. REFER TO PARAGRAPH 9-13. CIRCUIT PROTECTION (DC ESSENTIAL BUS 3-CPG STATION) - WIRING DIAGRAM.
6. REFER TO PARAGRAPH 11-1. EXTERNAL STORES CONTROL - WIRING DIAGRAM.
7. REFER TO PARAGRAPH 16-1. IFF - WIRING DIAGRAM.
8. REFER TO PARAGRAPH 19-1. MULTIPLEX - WIRING DIAGRAM.
9. REFER TO PARAGRAPH 22-1. PNVS - WIRING DIAGRAM.
10. REFER TO PARAGRAPH 12-1. DASE-WIRING DIAGRAM (BUCS DEACTIVATED) (SERIAL NO. 82-23355 THRU 88-0199) OR PARAGRAPH 12-2. DASE-WIRING DIAGRAM (BUCS ACTIVATED) (SERIAL NO. 88-0200 AND SUBSEQUENT).
11. REFER TO PARAGRAPH 9-6. CIRCUIT PROTECTION (AC ESSENTIAL BUS 1-CPG STATION) - WIRING DIAGRAM.
12. REFER TO PARAGRAPH 9-12. CIRCUIT PROTECTION (DC ESSENTIAL BUS 3-PILOT STATION) - WIRING DIAGRAM.
13. REFER TO PARAGRAPH 9-14. CIRCUIT PROTECTION (DC EMERGENCY BUS-PILOT STATION) - WIRING DIAGRAM.
14. REFER TO PARAGRAPH 9-1. AC ELECTRICAL POWER GENERATION - WIRING DIAGRAM.
15. REFER TO PARAGRAPH 17-1. IHADSS - WIRING DIAGRAM.
16. REFER TO PARAGRAPH 6-1. INTERCOMMUNICATIONS - WIRING DIAGRAM.
17. REFER TO PARAGRAPH 25-7. TADS/PNVS ANTI-ICE CONTROL - WIRING DIAGRAM.
18. P529



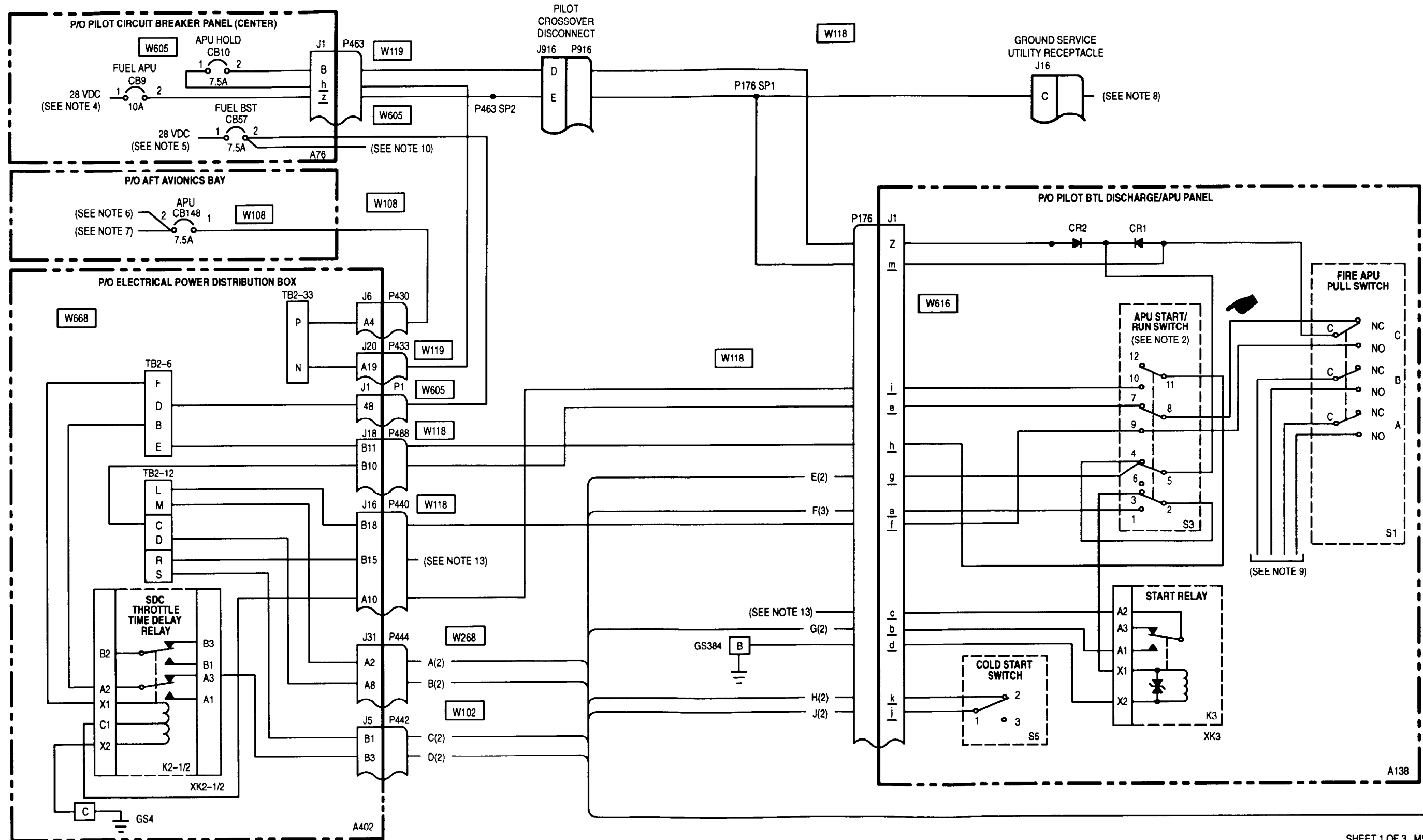
CHAPTER 5 AUXILIARY POWER UNIT (APU) WIRING DIAGRAM

CHAPTER OVERVIEW

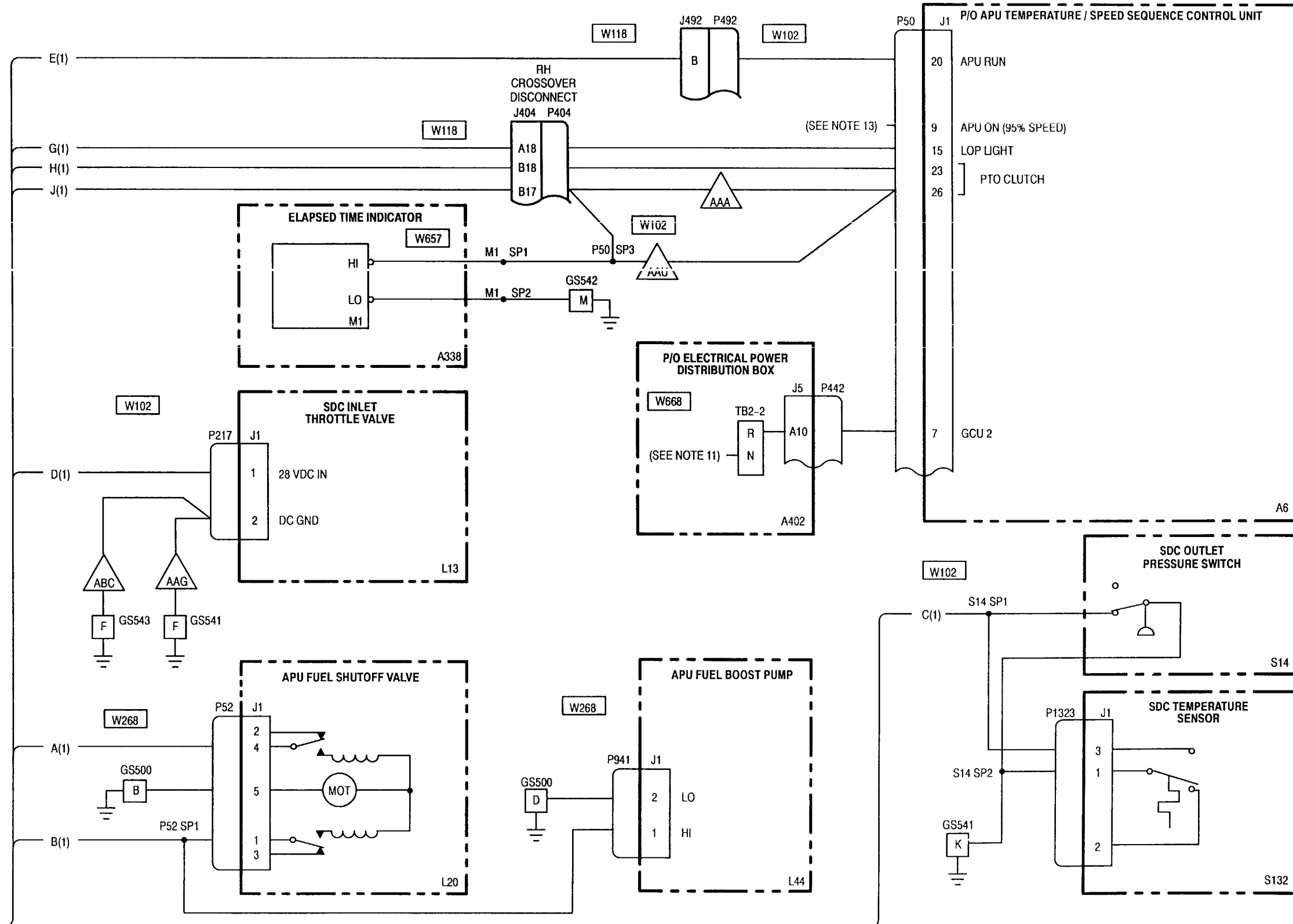
Chapter 5 contains the wiring diagram required for troubleshooting the auxiliary power unit (APU) system.

Para Title	Para No.
Auxiliary Power Unit (APU) -Wiring Diagram	5-1

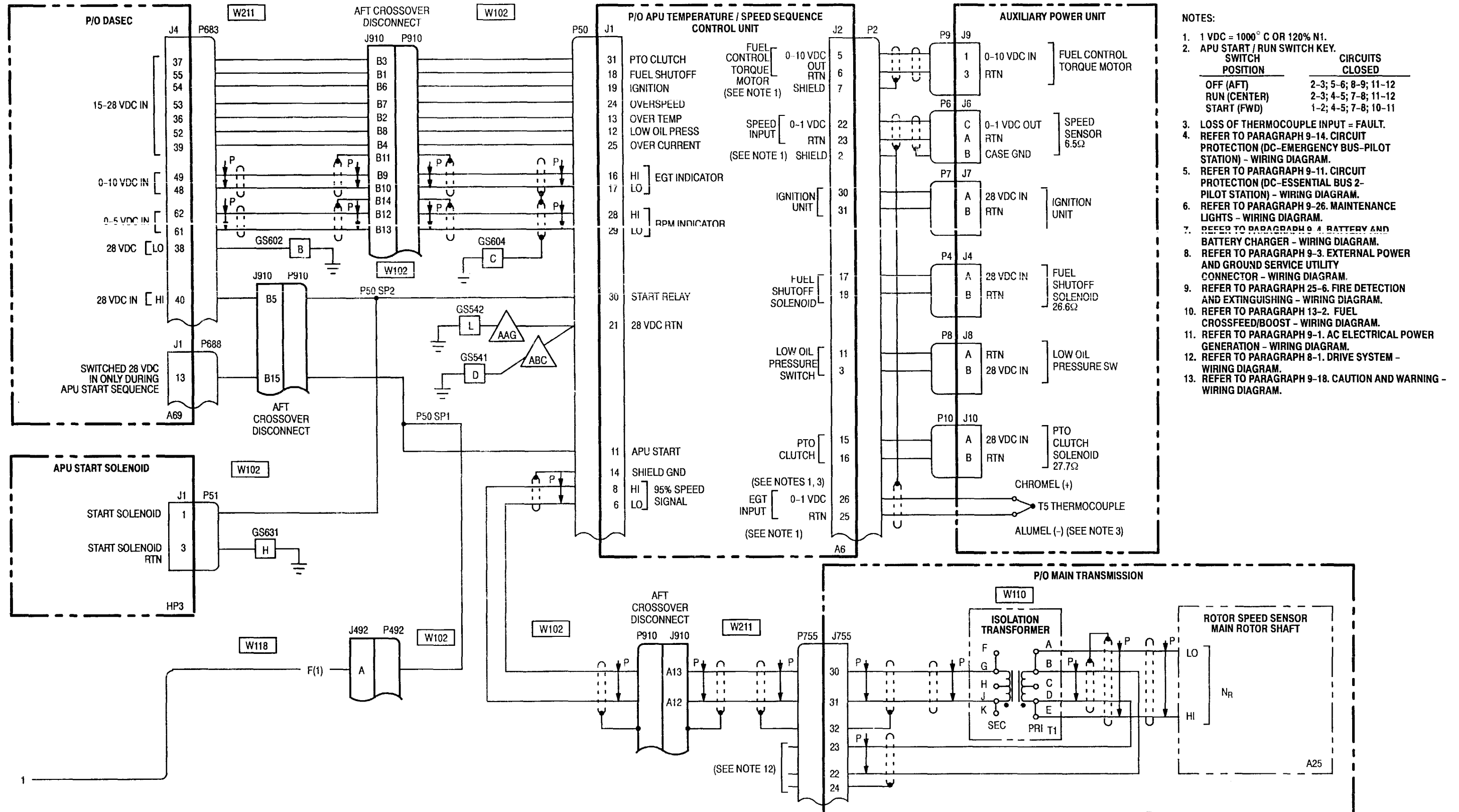
5-1. AUXILIARY POWER UNIT (APU) - WIRING DIAGRAM



5-1. AUXILIARY POWER UNIT (APU) - WIRING DIAGRAM (cont)



5-1. AUXILIARY POWER UNIT (APU) - WIRING DIAGRAM (cont)



- NOTES:
- 1 VDC = 1000° C OR 120% N1.
 - APU START / RUN SWITCH KEY.

SWITCH POSITION	CIRCUITS CLOSED
OFF (AFT)	2-3; 5-6; 8-9; 11-12
RUN (CENTER)	2-3; 4-5; 7-8; 11-12
START (FWD)	1-2; 4-5; 7-8; 10-11
 - LOSS OF THERMOCOUPLE INPUT = FAULT.
 - REFER TO PARAGRAPH 9-14. CIRCUIT PROTECTION (DC-EMERGENCY BUS-PILOT STATION) - WIRING DIAGRAM.
 - REFER TO PARAGRAPH 9-11. CIRCUIT PROTECTION (DC-ESSENTIAL BUS 2-PILOT STATION) - WIRING DIAGRAM.
 - REFER TO PARAGRAPH 9-26. MAINTENANCE LIGHTS - WIRING DIAGRAM.
 - REFER TO PARAGRAPH 9-4. BATTERY AND BATTERY CHARGER - WIRING DIAGRAM.
 - REFER TO PARAGRAPH 9-3. EXTERNAL POWER AND GROUND SERVICE UTILITY CONNECTOR - WIRING DIAGRAM.
 - REFER TO PARAGRAPH 25-6. FIRE DETECTION AND EXTINGUISHING - WIRING DIAGRAM.
 - REFER TO PARAGRAPH 13-2. FUEL CROSSFEED/BOOST - WIRING DIAGRAM.
 - REFER TO PARAGRAPH 9-1. AC ELECTRICAL POWER GENERATION - WIRING DIAGRAM.
 - REFER TO PARAGRAPH 8-1. DRIVE SYSTEM - WIRING DIAGRAM.
 - REFER TO PARAGRAPH 9-18. CAUTION AND WARNING - WIRING DIAGRAM.

CHAPTER 6 COMMUNICATIONS SYSTEM WIRING DIAGRAM

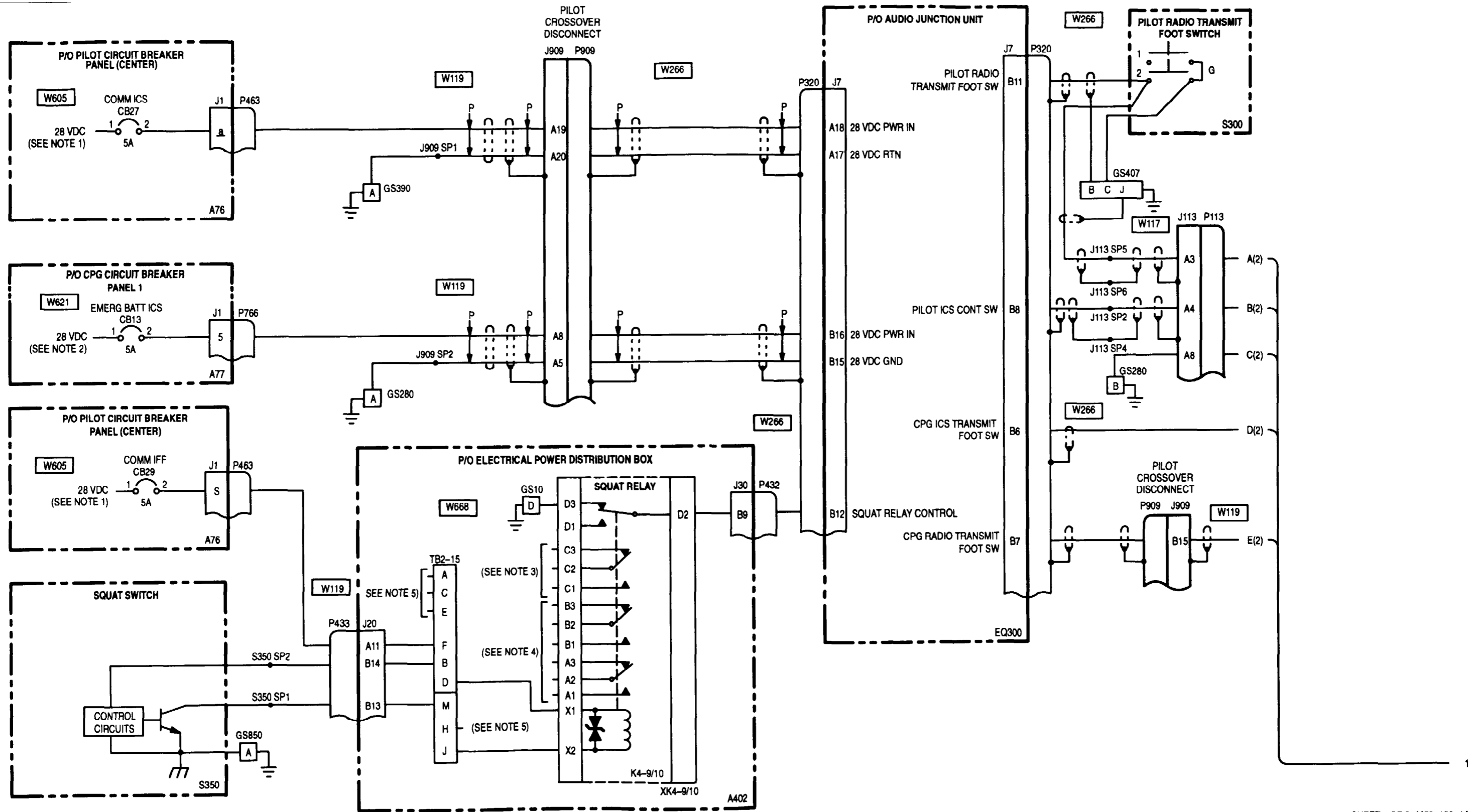
CHAPTER OVERVIEW

Chapter 6 contains wiring diagrams required for troubleshooting the communications system.

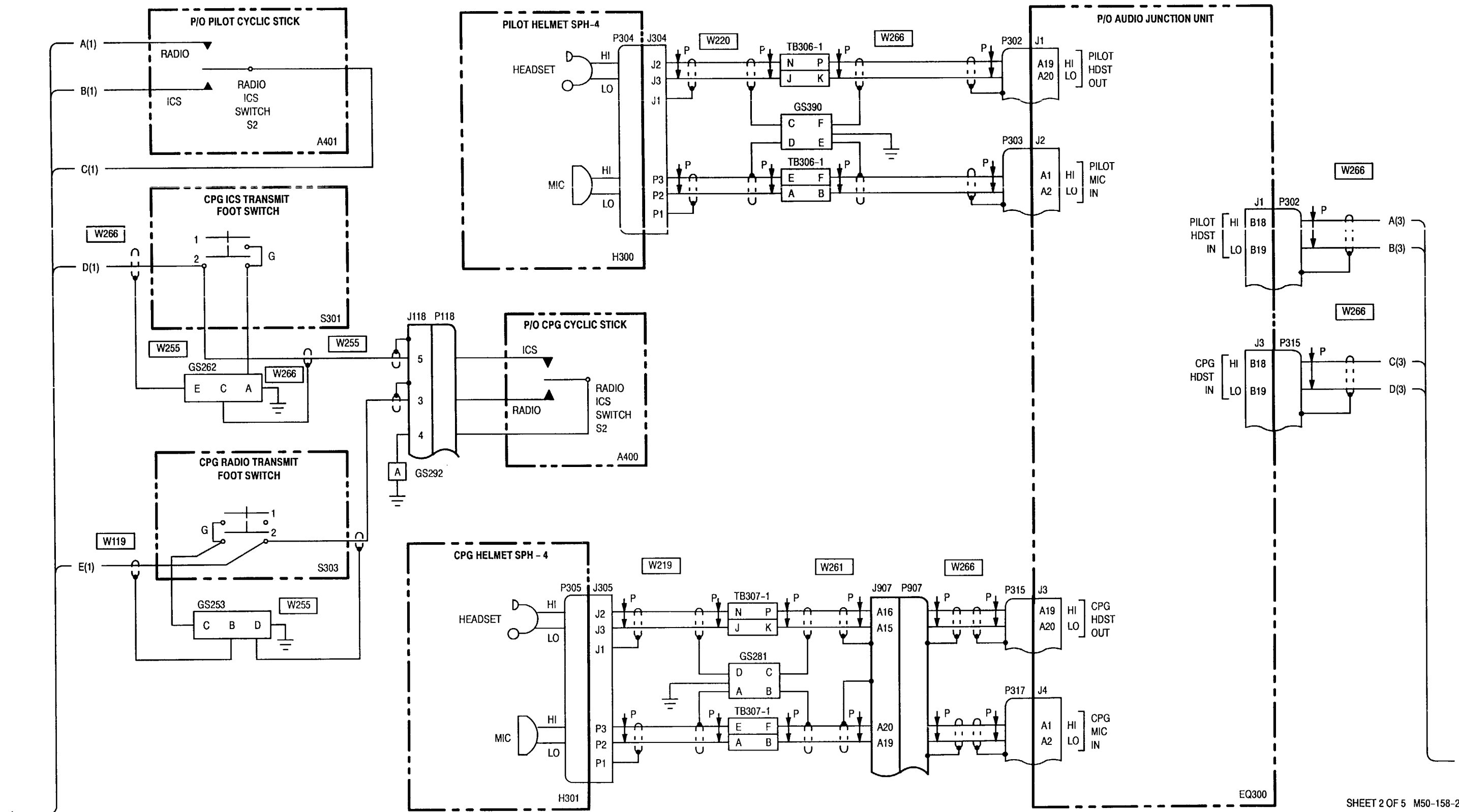
Chapter 6 is divided into the following paragraphs:

Para Title	Para No.
Intercommunication - Wiring Diagram	6-1
TSEC/KY-58 Communication Security Equipment - Wiring Diagram	6-2
UHF-AM Radio Set - Wiring Diagram	6-3
VHF AM-FM Radio Set AN/ARC-186 (ADH) -Wiring Diagram	6-4
VHF AM-FM Radio Set AN/ARC-186 and AN/ARC-201A (ADI) - Wiring Diagram	6-5

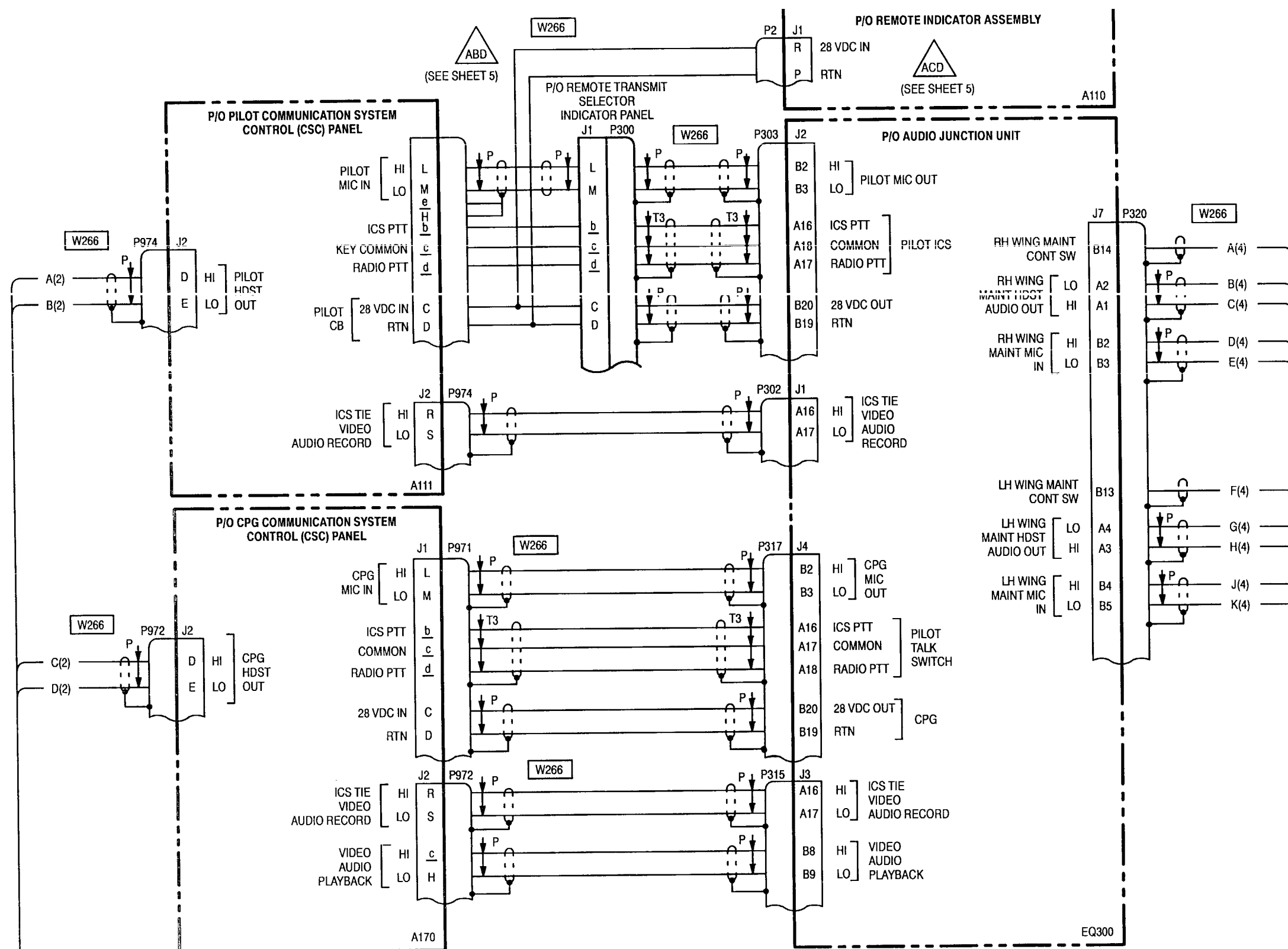
6-1. INTERCOMMUNICATION -WIRING DIAGRAM



6-1. INTERCOMMUNICATION - WIRING DIAGRAM (cont)



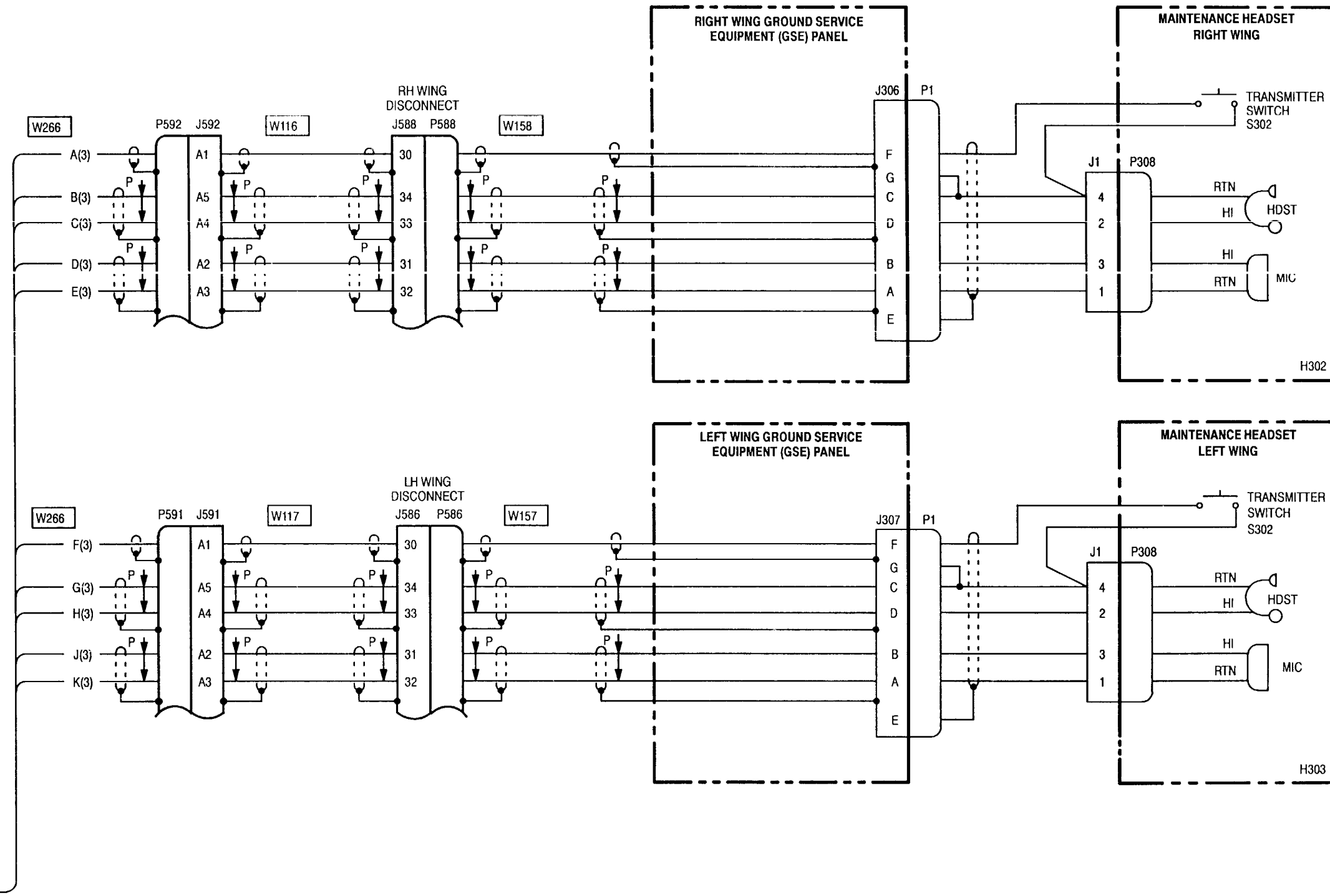
6-1. INTERCOMMUNICATION - WIRING DIAGRAM (cont)



2

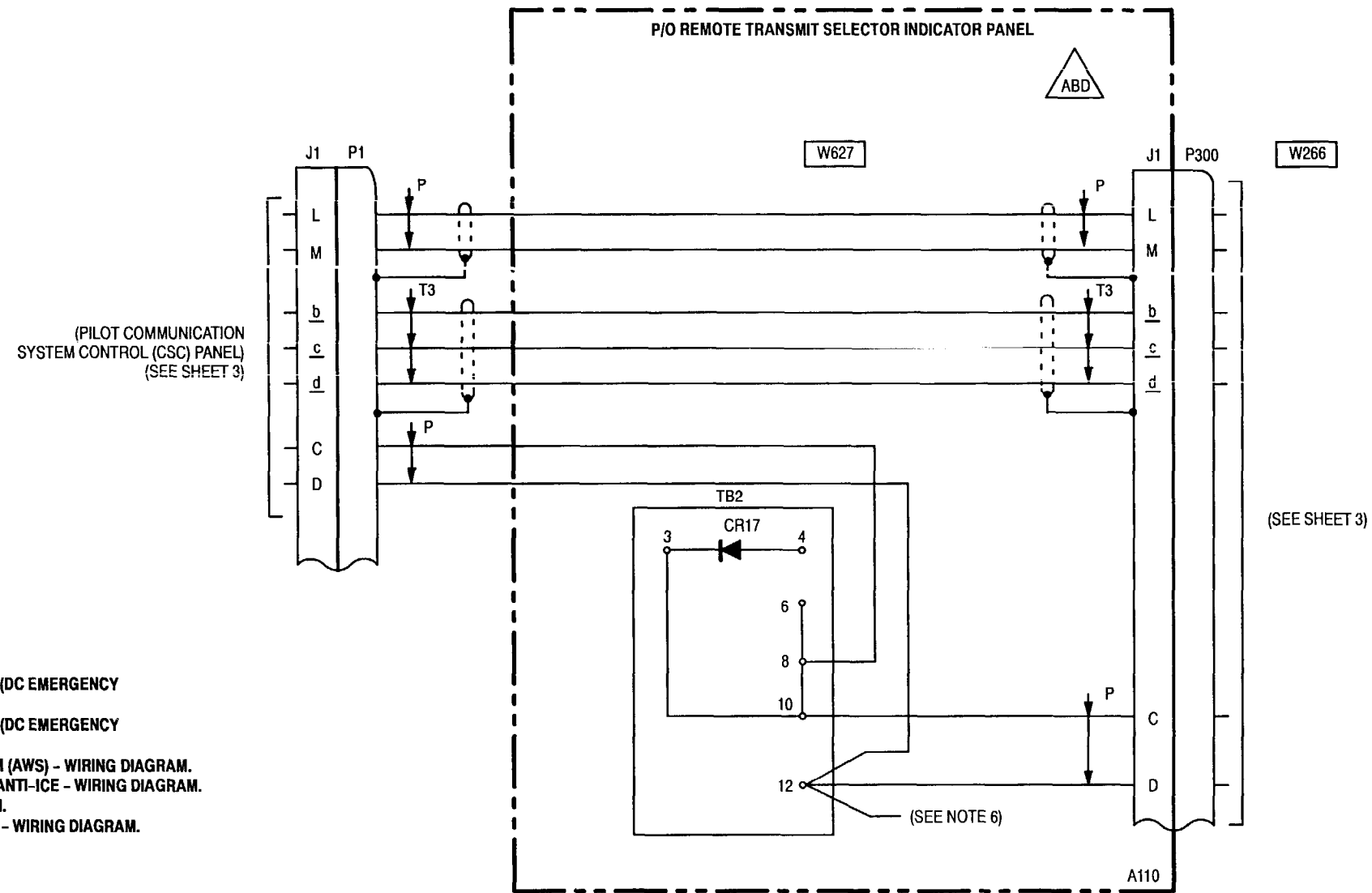
3

6-1. INTERCOMMUNICATION - WIRING DIAGRAM (cont)



3

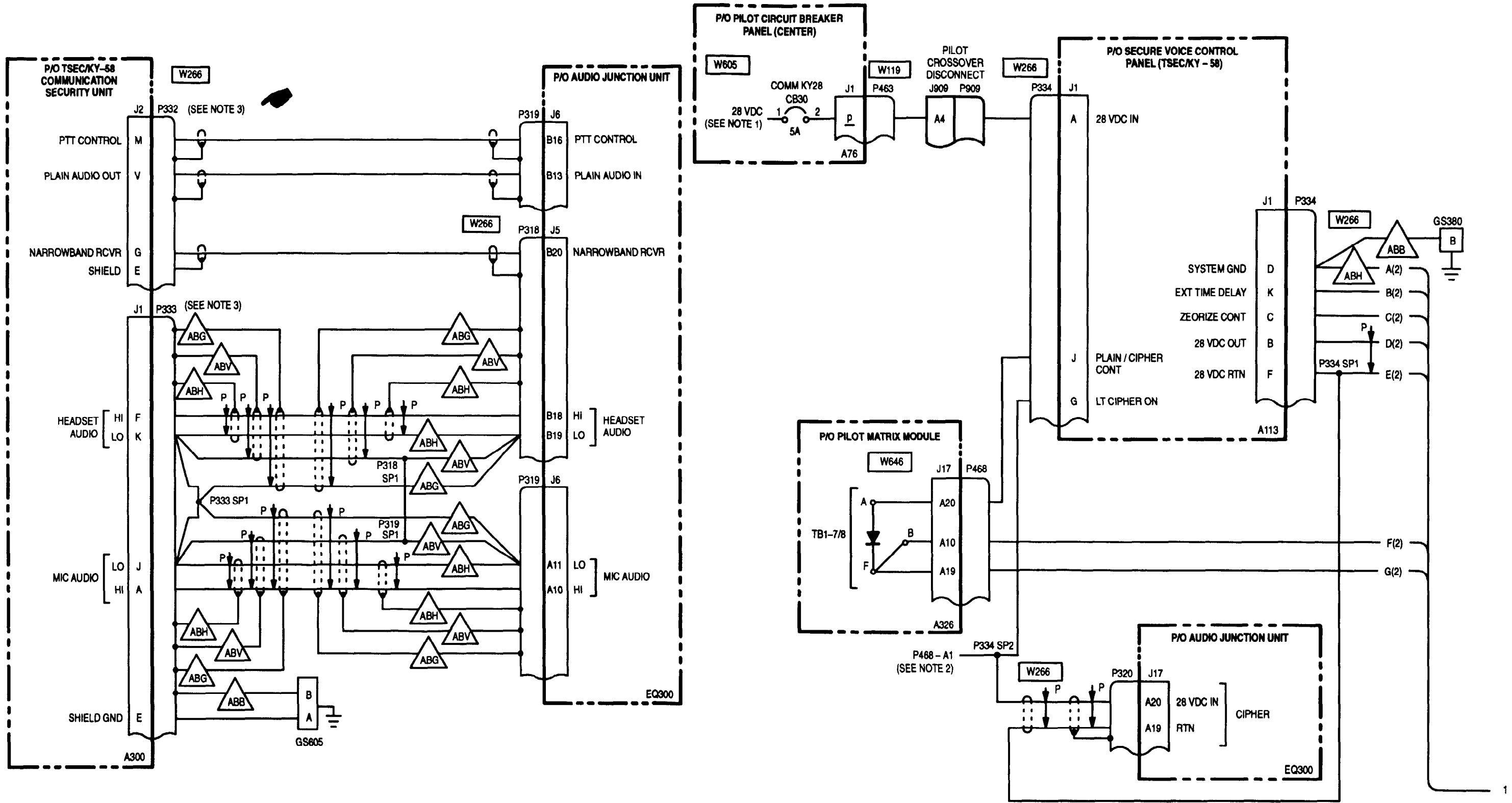
6-1. INTERCOMMUNICATION - WIRING DIAGRAM (cont)



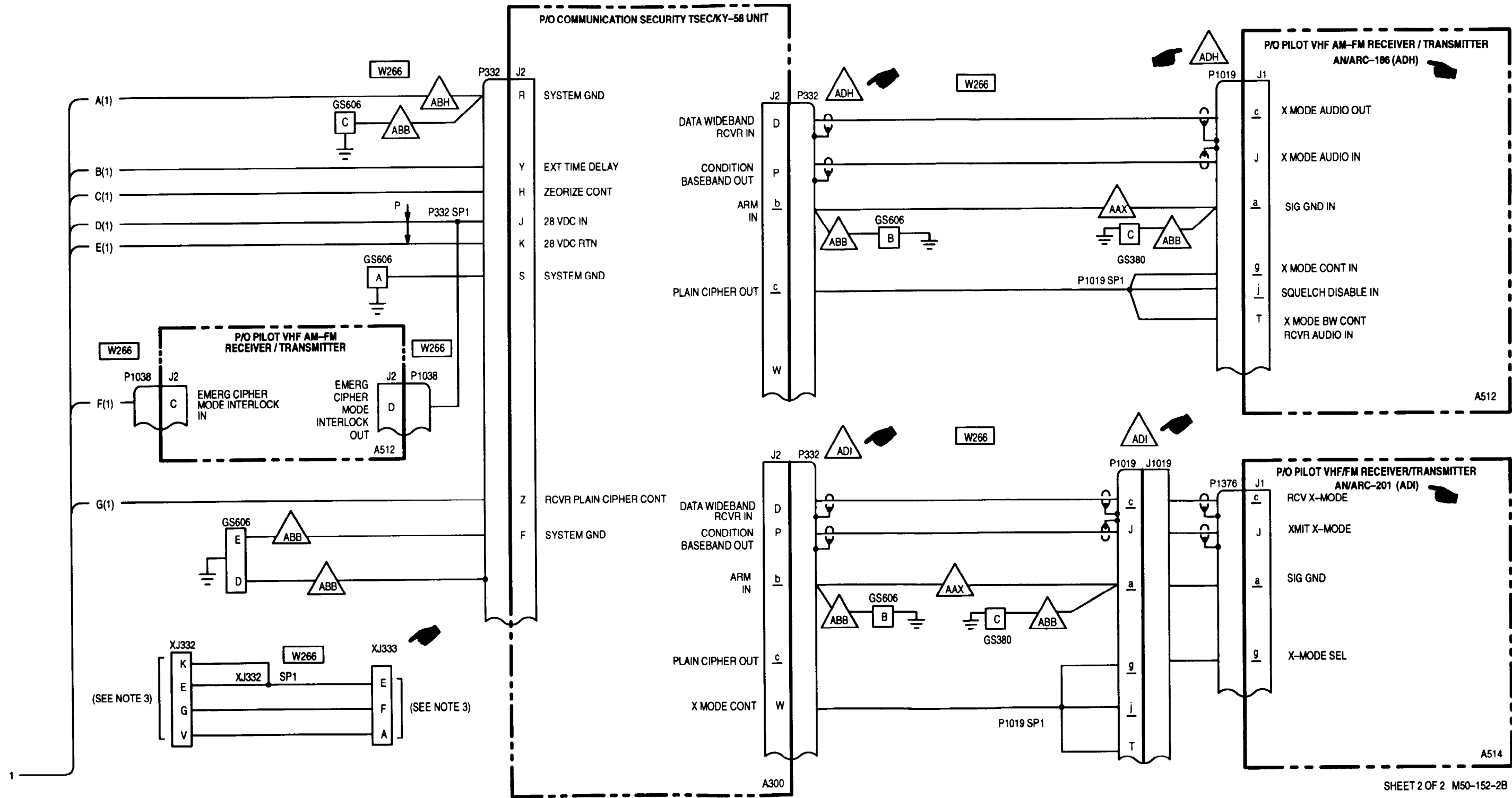
NOTES:

1. REFER TO PARAGRAPH 9-14. CIRCUIT PROTECTION (DC EMERGENCY BUS-PILOT STATION) - WIRING DIAGRAM.
2. REFER TO PARAGRAPH 9-15. CIRCUIT PROTECTION (DC EMERGENCY BUS-CPG STATION) - WIRING DIAGRAM.
3. REFER TO PARAGRAPH 4-1. AREA WEAPON SYSTEM (AWS) - WIRING DIAGRAM.
4. REFER TO PARAGRAPH 25-1. CANOPY DEFOG AND ANTI-ICE - WIRING DIAGRAM.
5. REFER TO PARAGRAPH 16-1. IFF - WIRING DIAGRAM.
6. REFER TO PARAGRAPH 6-4. VHF AM-FM RADIO SET - WIRING DIAGRAM.

6-2. TSEC/KY-58 COMMUNICATION SECURITY EQUIPMENT - WIRING DIAGRAM

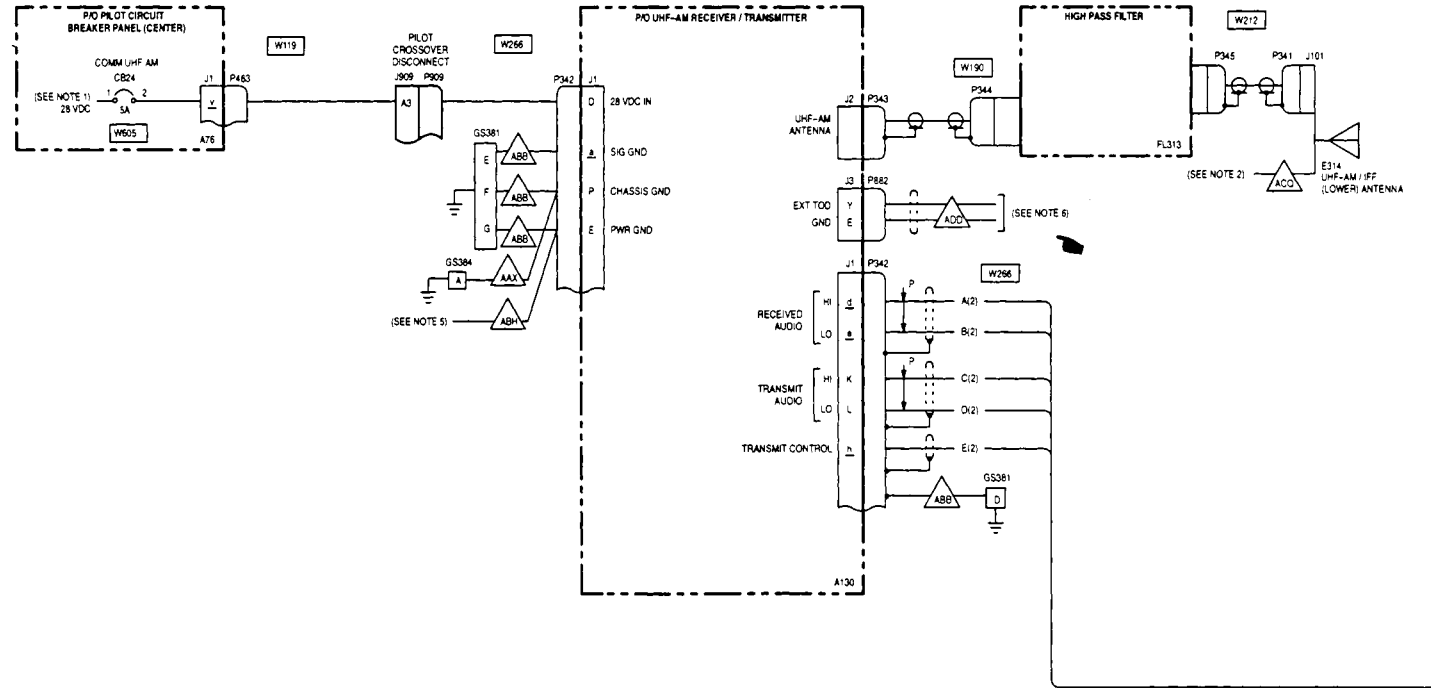


6-2. TSEC/KY-58 COMMUNICATION SECURITY EQUIPMENT -WIRING DIAGRAM (cont)

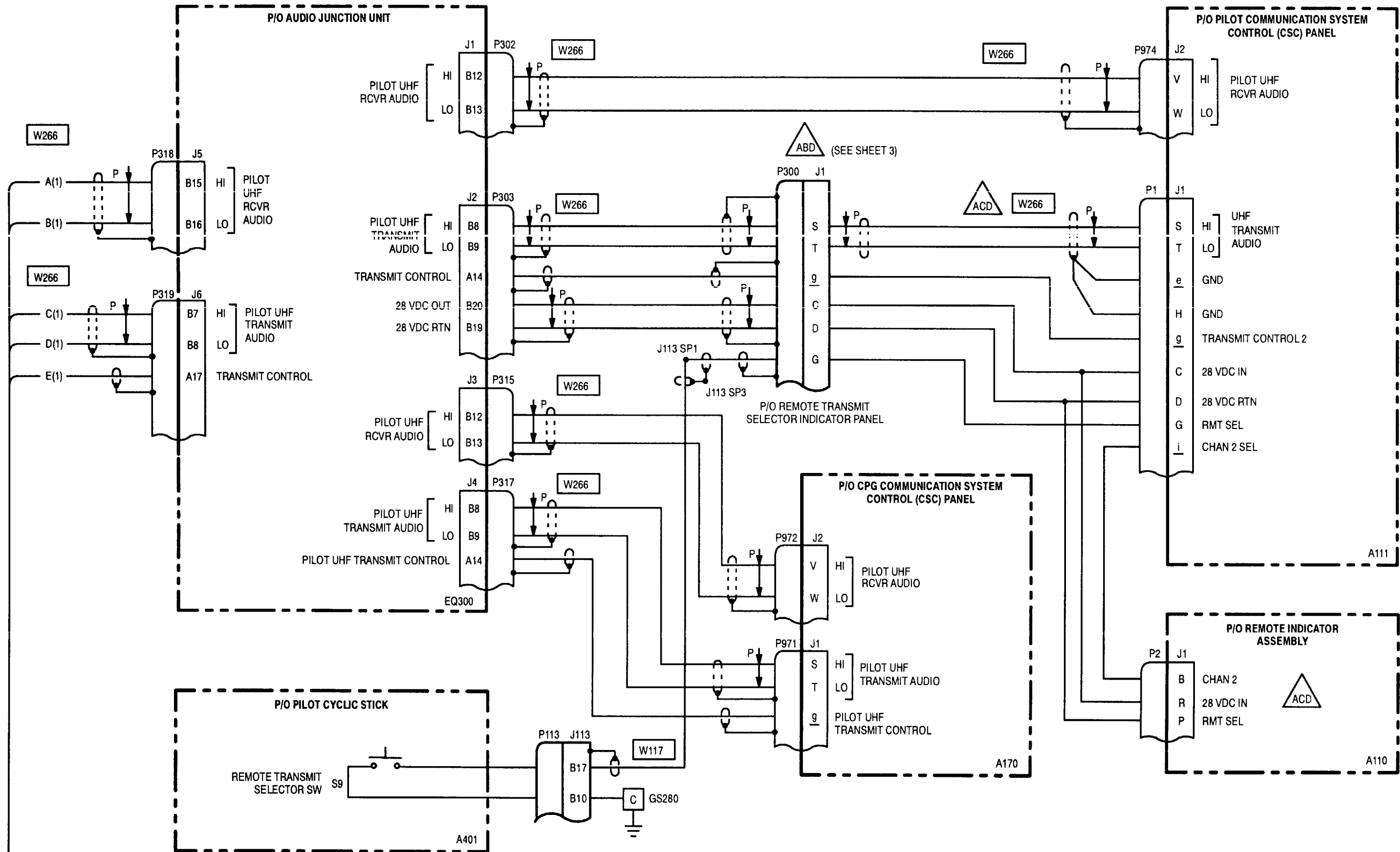


1. REFER TO PARAGRAPH 9-14. CIRCUIT PROTECTION (DC EMERGENCY BUS-PILOT STATION) - WIRING DIAGRAM.
 2. REFER TO PARAGRAPH 9-18. CAUTION AND WARNING - WIRING DIAGRAM.
 3. XJ332 MATES TO P332 AND XJ333 MATES TO P333 WHEN COMMUNICATION SECURITY TSEC/KY-58 UNIT IS NOT USED.

6-3. UHF-AM RADIO SET - WIRING DIAGRAM

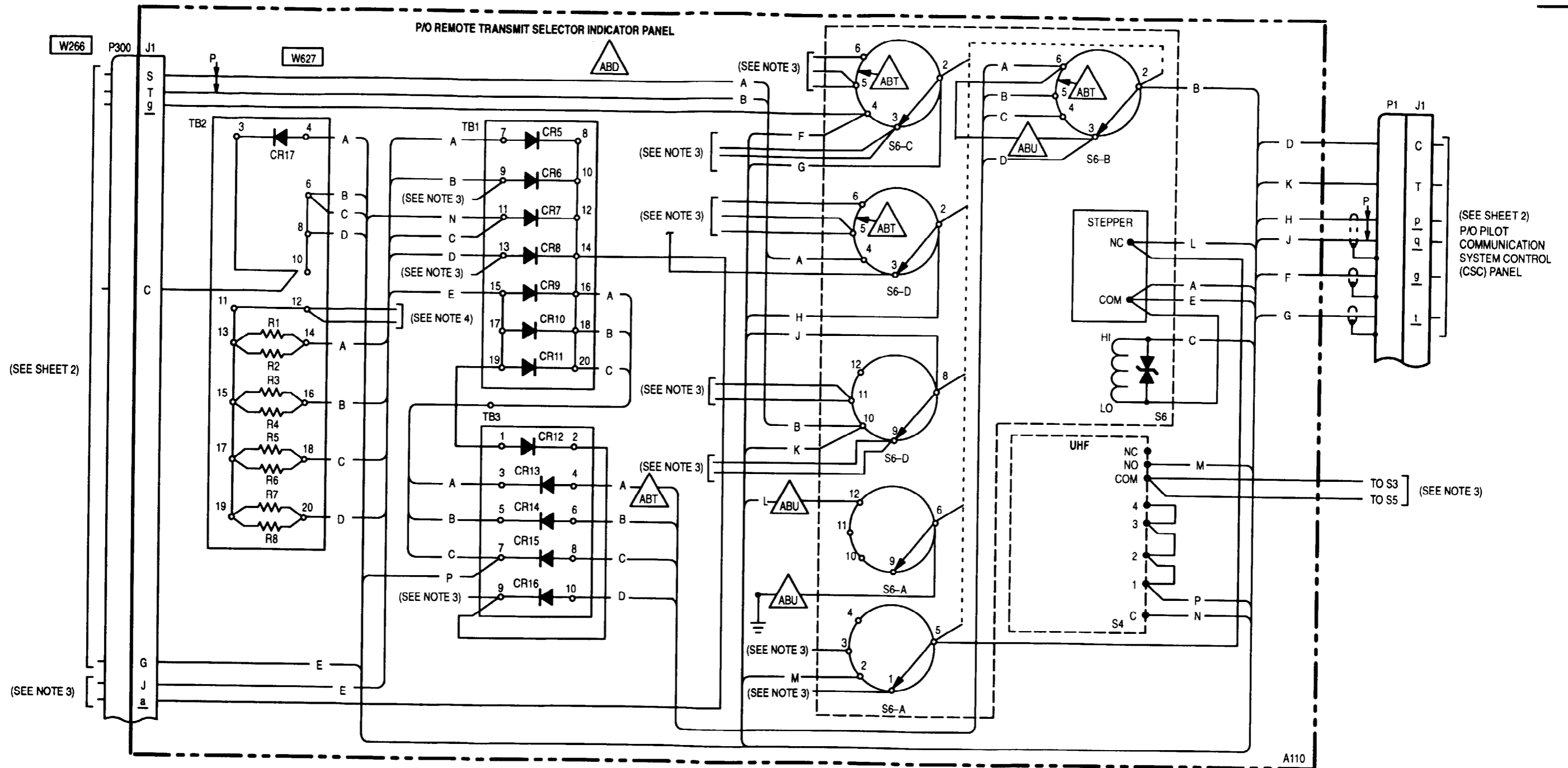


6-3. UHF-AM RADIO SET - WIRING DIAGRAM (cont)



1

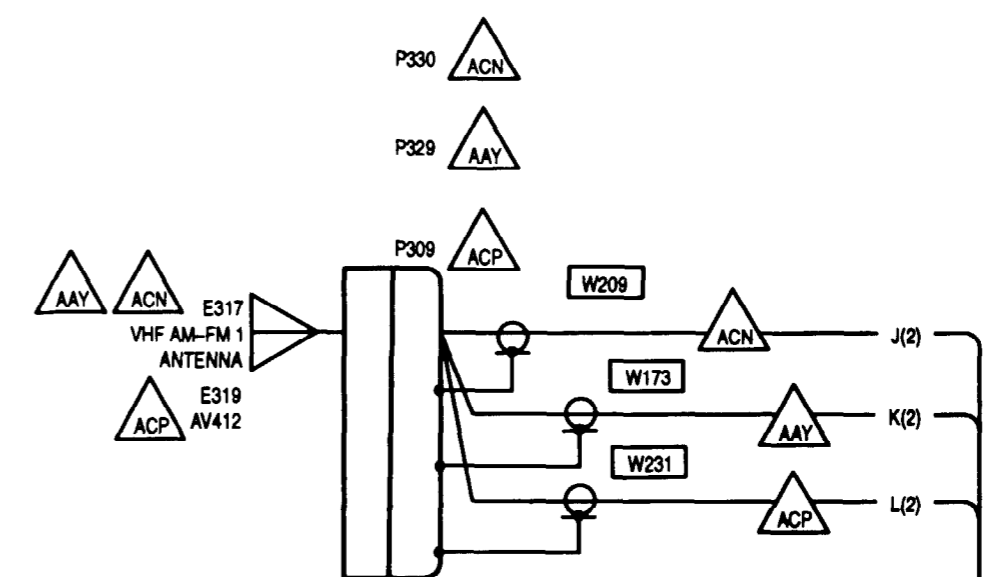
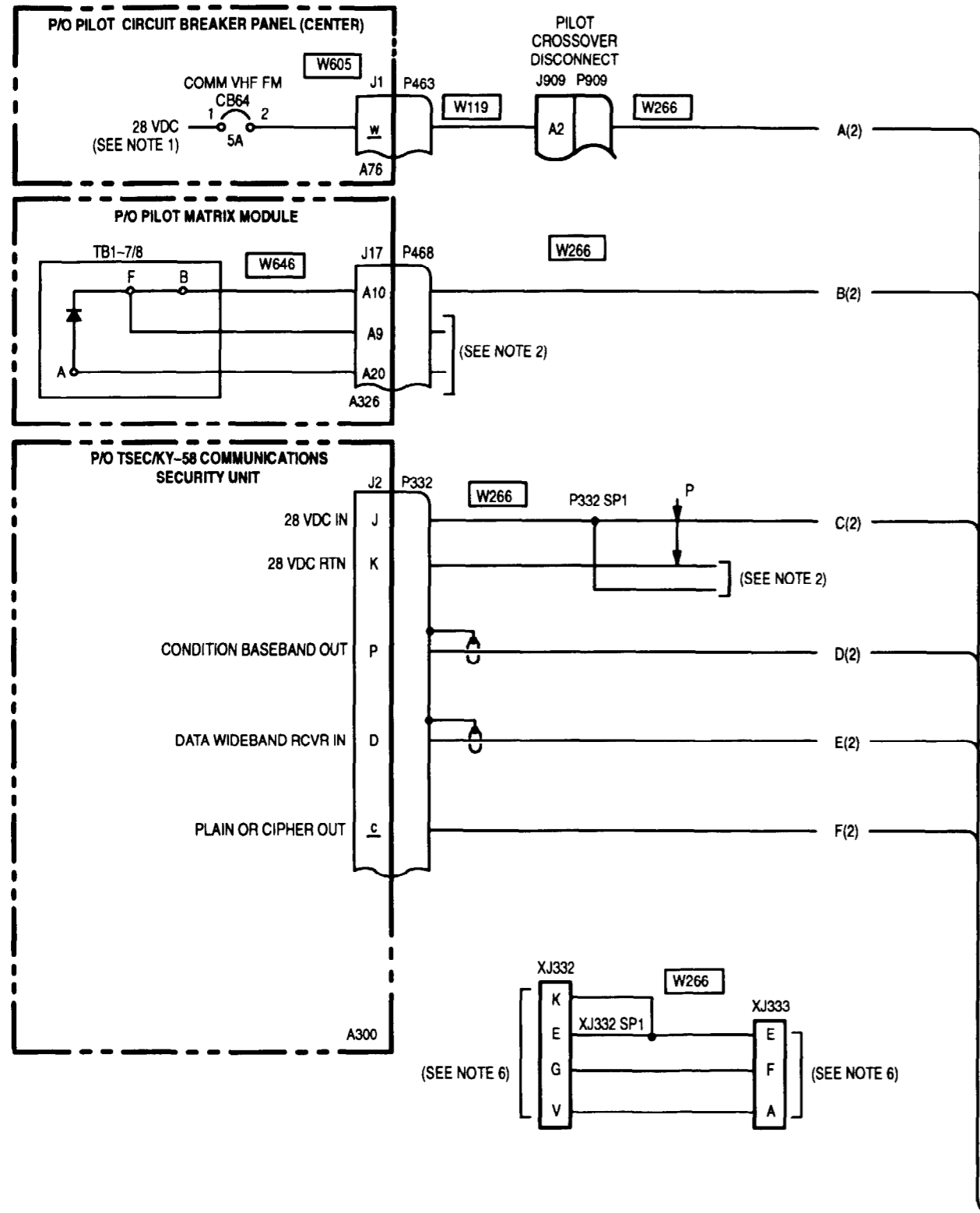
6-3 UHF-AM RADIO SET - WIRING DIAGRAM (cont)



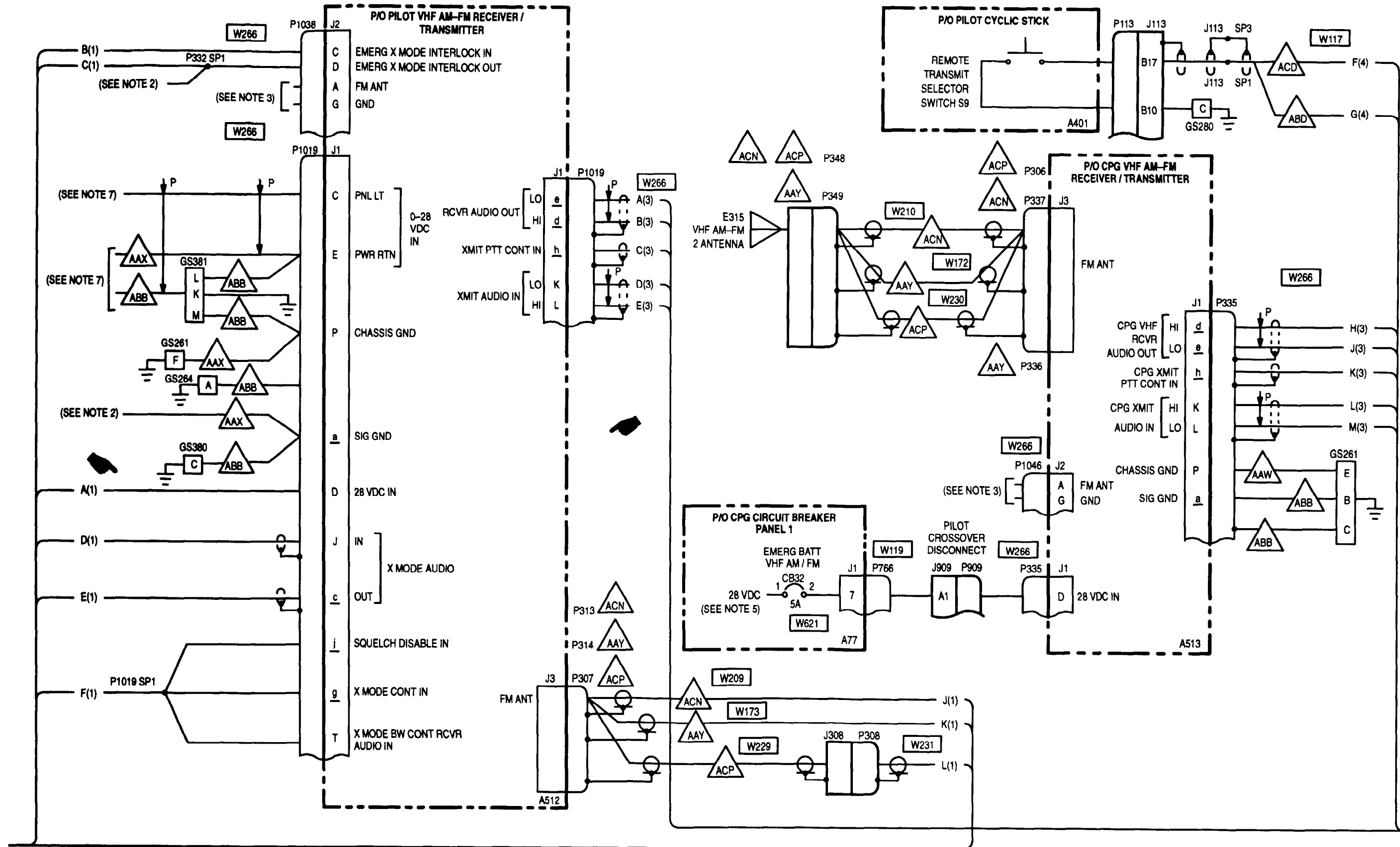
NOTES:

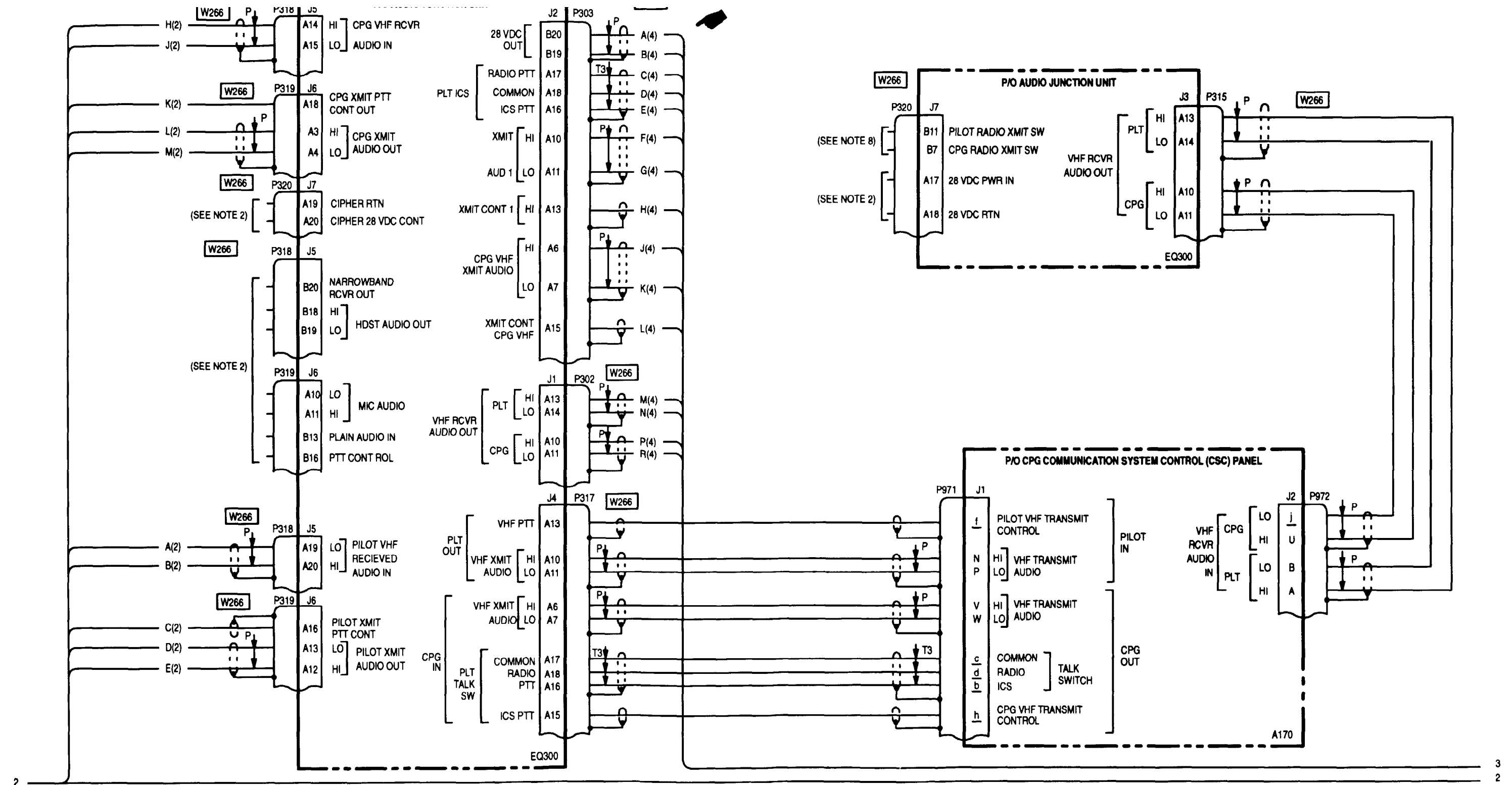
1. REFER TO PARAGRAPH 9-14. CIRCUIT PROTECTION (DC EMERGENCY BUS- PILOT STATION) -WIRING DIAGRAM.
2. REFER TO PARAGRAPH 16-1. IFF-WIRING DIAGRAM.
3. REFER TO PARAGRAPH 6-4. VHF AM-FM RADIO SET - WIRING DIAGRAM.
4. REFER TO PARAGRAPH 6-1. INTERCOMMUNICATION - WIRING DIAGRAM.
5. REFER TO PARAGRAPH 9-19. EDGE LIGHTS - WIRING DIAGRAM.
6. REFER TO PARAGRAPH 26-6. EGI (ADD) - WIRING DIAGRAM.

6-4. VHF AM-FM RADIO SET AN/ARC-186 (ADH) - WIRING DIAGRAM



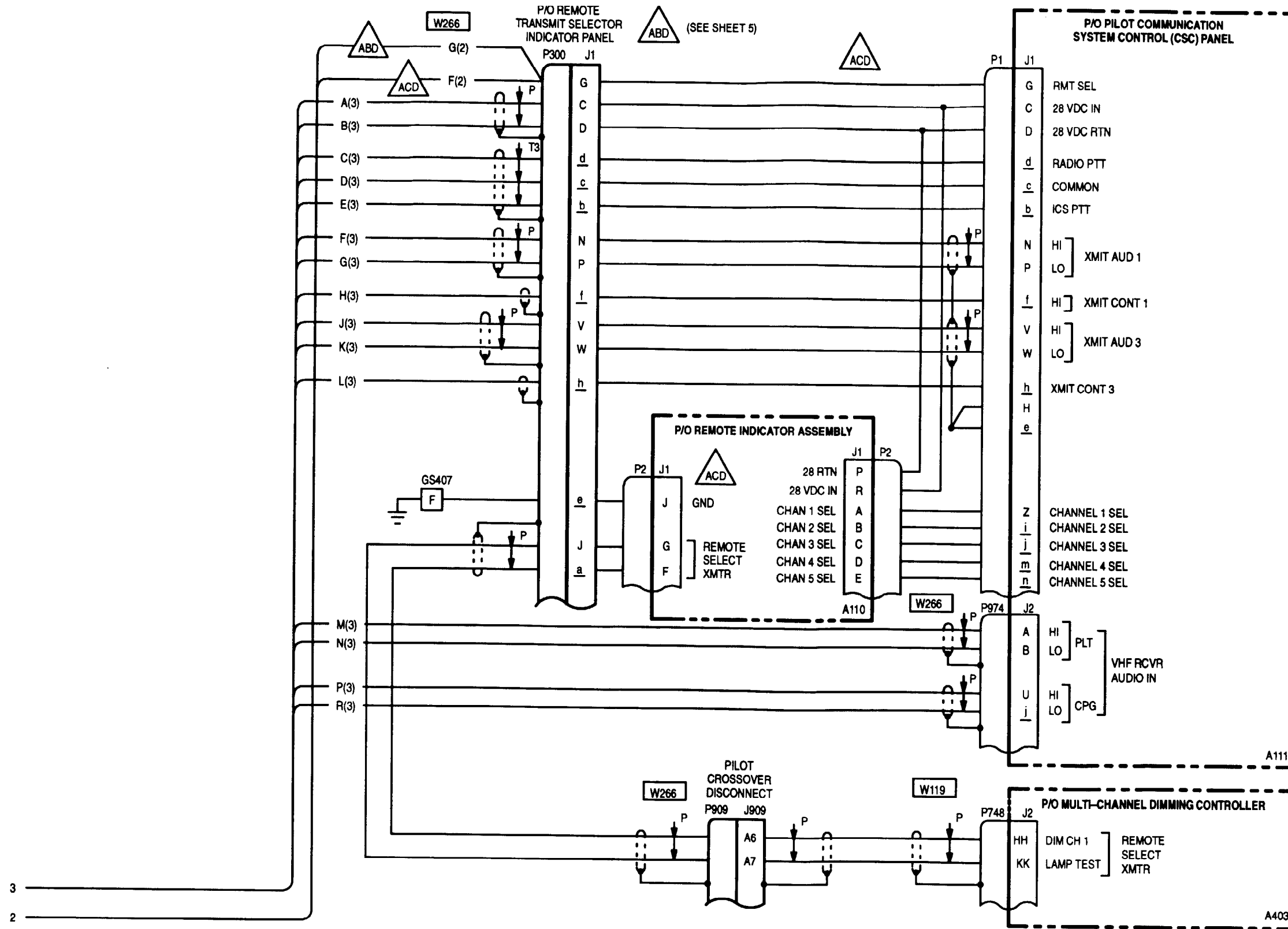
6-4. VHF AM-FM RADIO SET AN/ARC-186 (ADH) - WIRING DIAGRAM (cont)



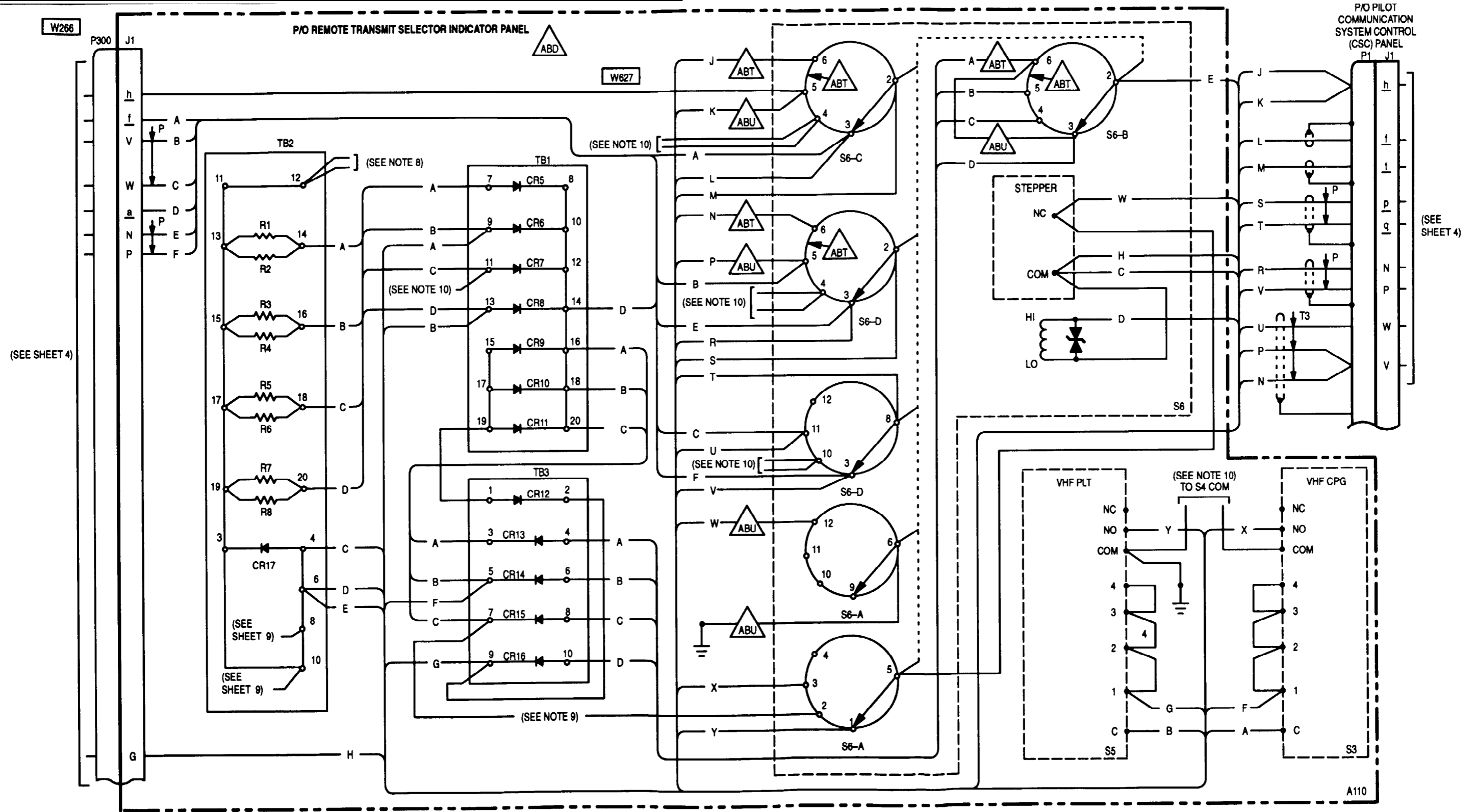


6-4. VHF AM-FM RADIO SET AN/ARC-186 (ADH) - WIRING DIAGRAM (cont)

6-4



6-4 VHF AM-FM RADIO SET AN/ARC-186 (ADH) - WIRING DIAGRAM (cont)



(SEE SHEET 4)

(SEE SHEET 4)

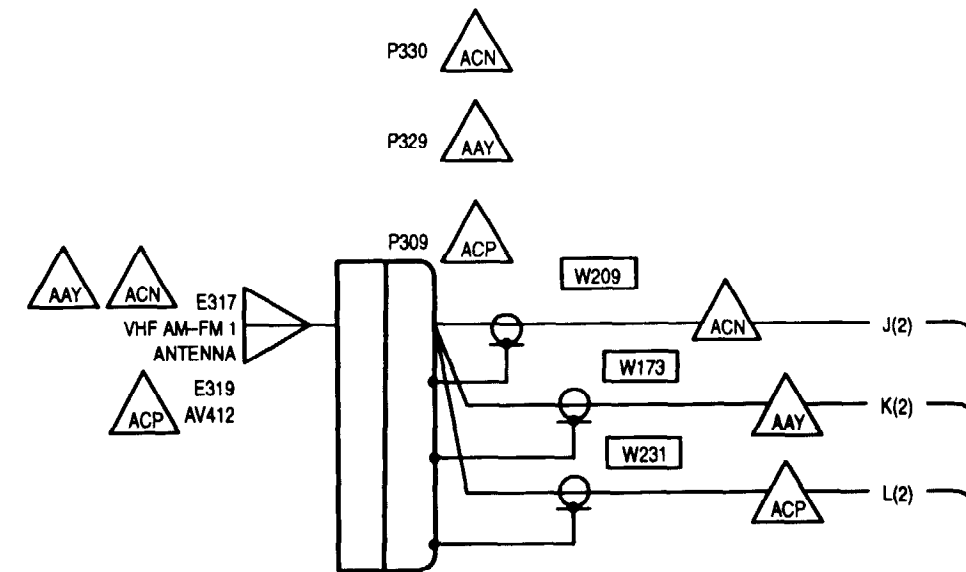
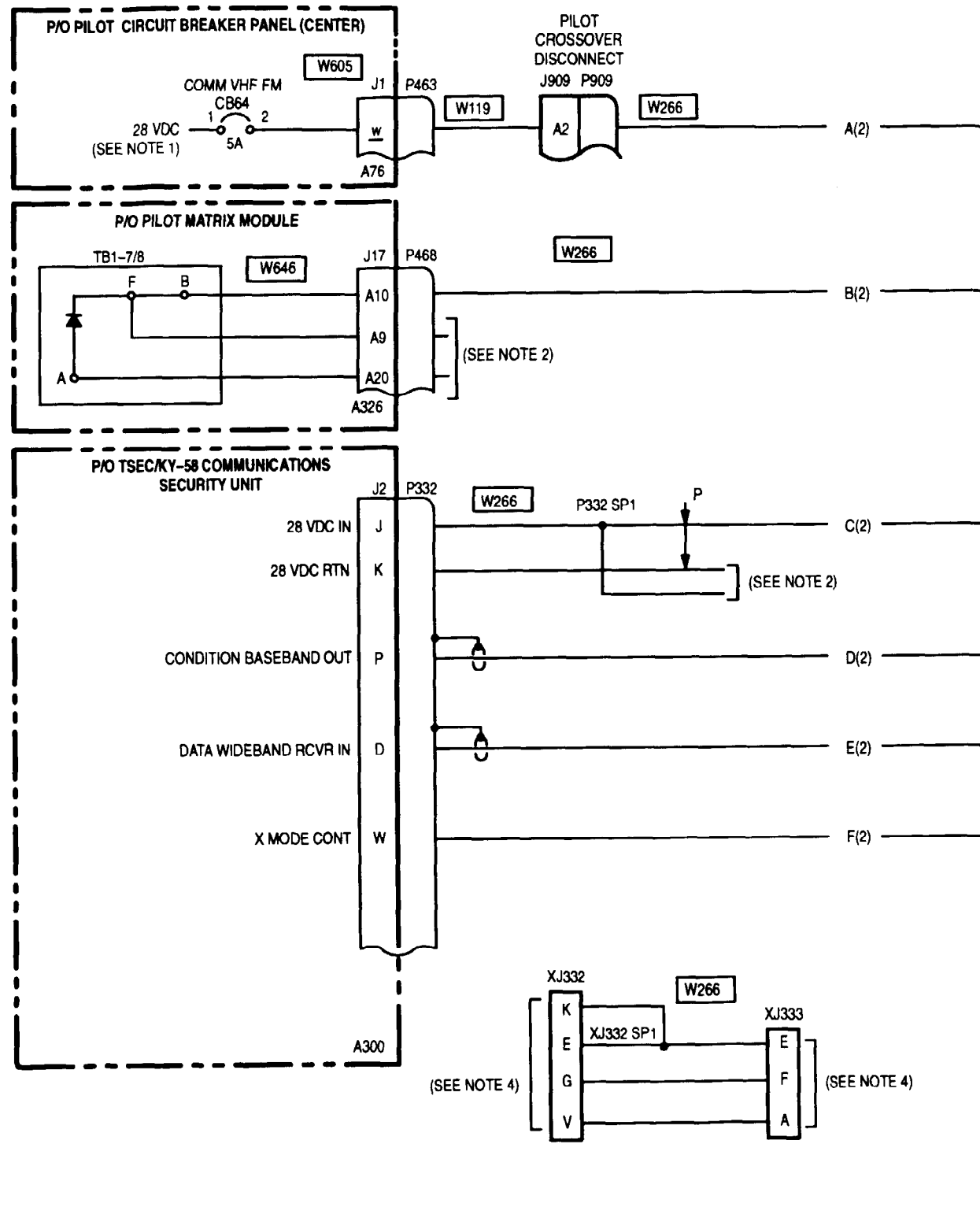
6-4. VHF AM-FM RADIO SET AN/ARC-188 (ADH) - WIRING DIAGRAM (cont)

6-4

NOTES:

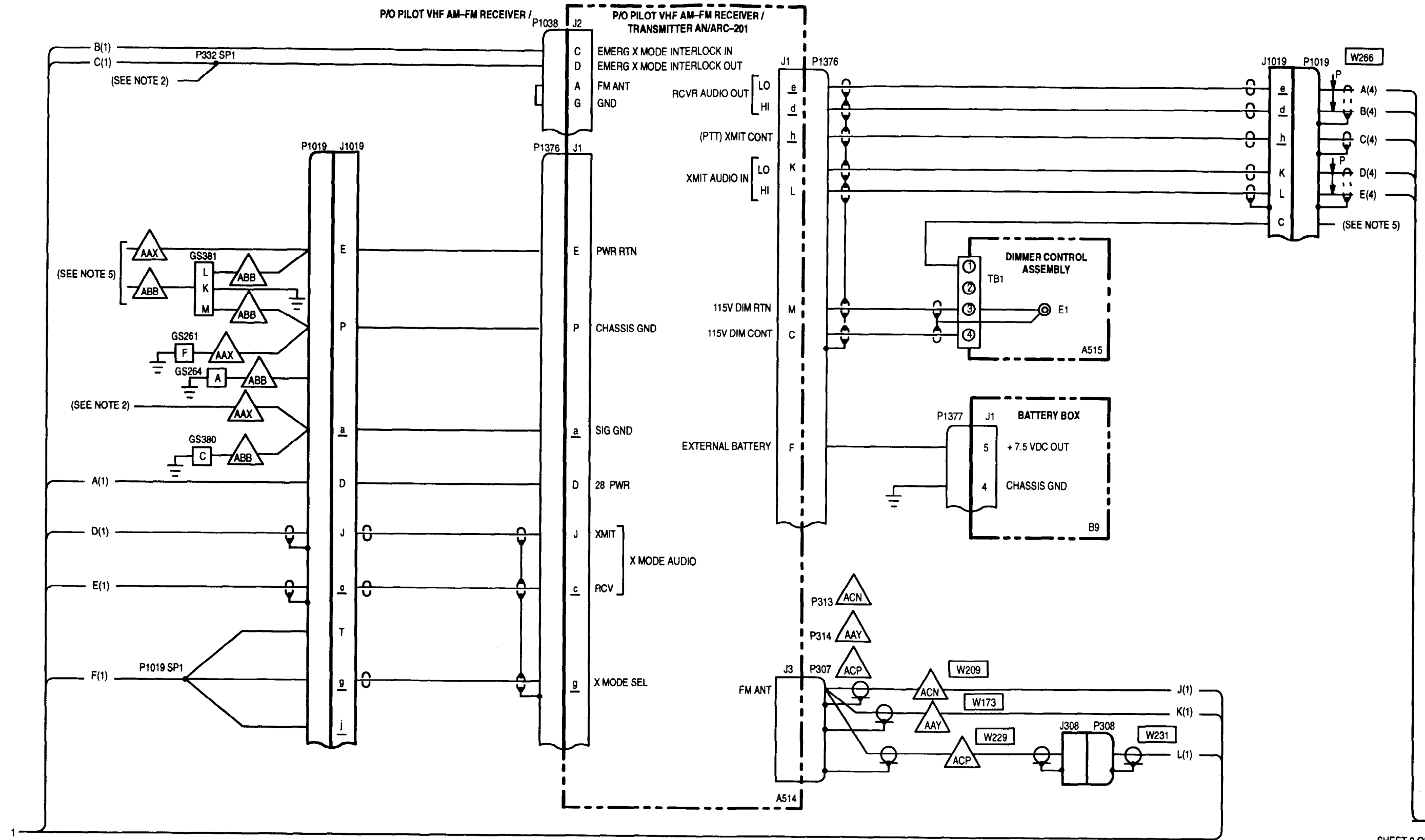
1. REFER TO PARAGRAPH 9-14. CIRCUIT PROTECTION (DC EMERGENCY BUS - PILOT STATION)- WIRING DIAGRAM.
2. REFER TO PARAGRAPH 6-2. TSEC/KY-58 COMMUNICATIONS SECURITY EQUIPMENT- WIRING DIAGRAM.
3. FOR SINGLE ANTENNA OPERATION ADD JUMPER TO SHORT (A512)J2 PINS A AND G AND (A513)J2 PINS A AND G.
4. CAP AND STOW.
5. REFER TO PARAGRAPH 9-15. CIRCUIT PROTECTION (DC EMERGENCY BUS - CPG STATION) - WIRING DIAGRAM.
6. WHEN COMMUNICATIONS SECURITY EQUIPMENT KY-58 IS NOT INSTALLED, ADAPTER CABLE (P/O W266) MUST BE USED. IT INTERCONNECTS P332 AND P333.
7. REFER TO PARAGRAPH 9-19. EDGE-LIGHTS - WIRING DIAGRAM.
8. REFER TO PARAGRAPH 6-1. INTERCOMMUNICATION - WIRING DIAGRAM.
9. REFER TO PARAGRAPH 9-18. CAUTION AND WARNING - WIRING DIAGRAM.
10. REFER TO PARAGRAPH 6-3. UHF-AM RADIO SET- WIRING DIAGRAM.

6-5. VHF AM-FM AN/ARC-188 AND VHF/FM AN/ARC-201A RADIO SET (ADI) - WIRING DIAGRAM

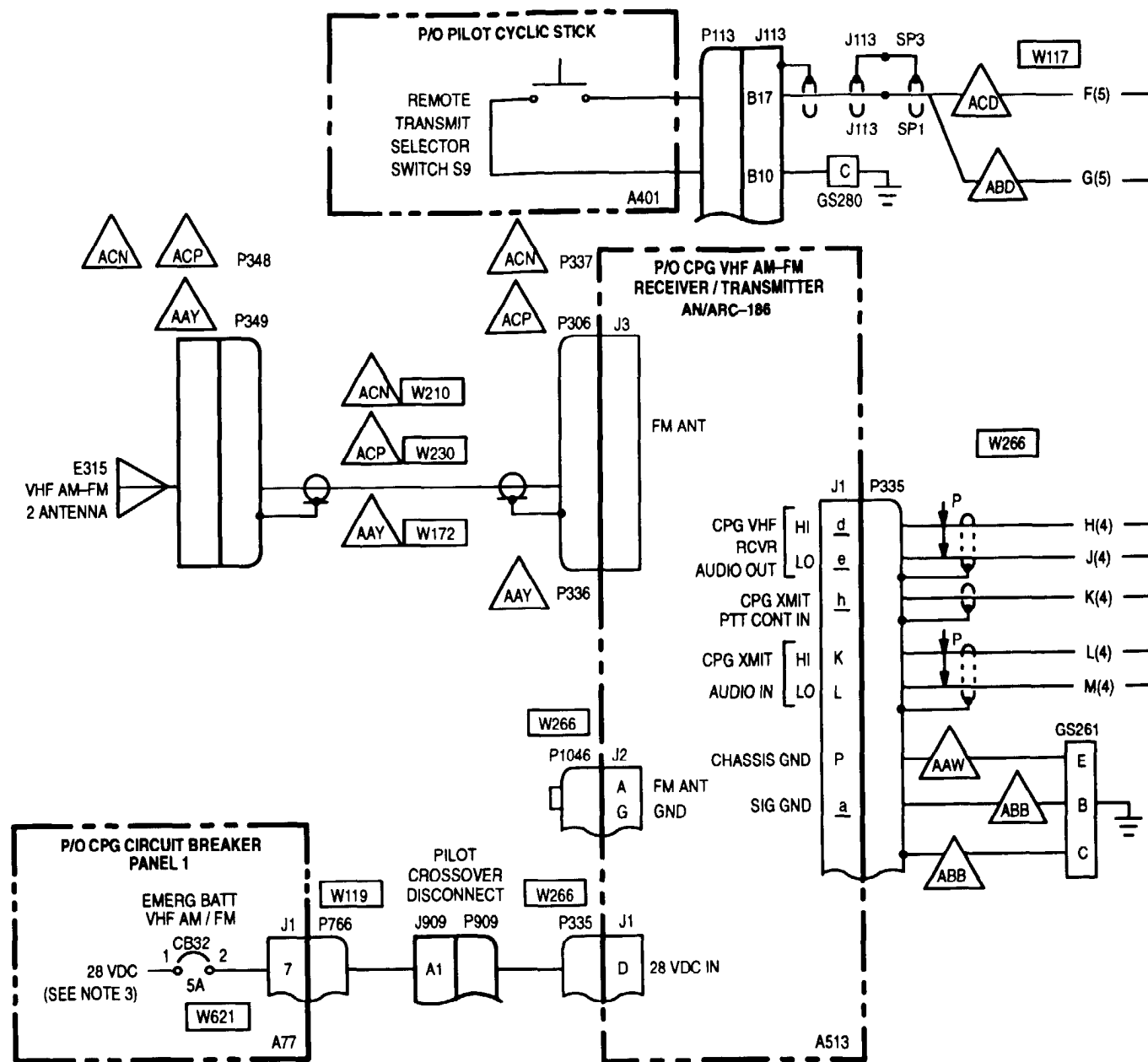


6-5. VHF AM-FM AN/ARC-186 AND VHF/FM AN/ARC-201A RADIO SET (ADI) - WIRING DIAGRAM (cont)

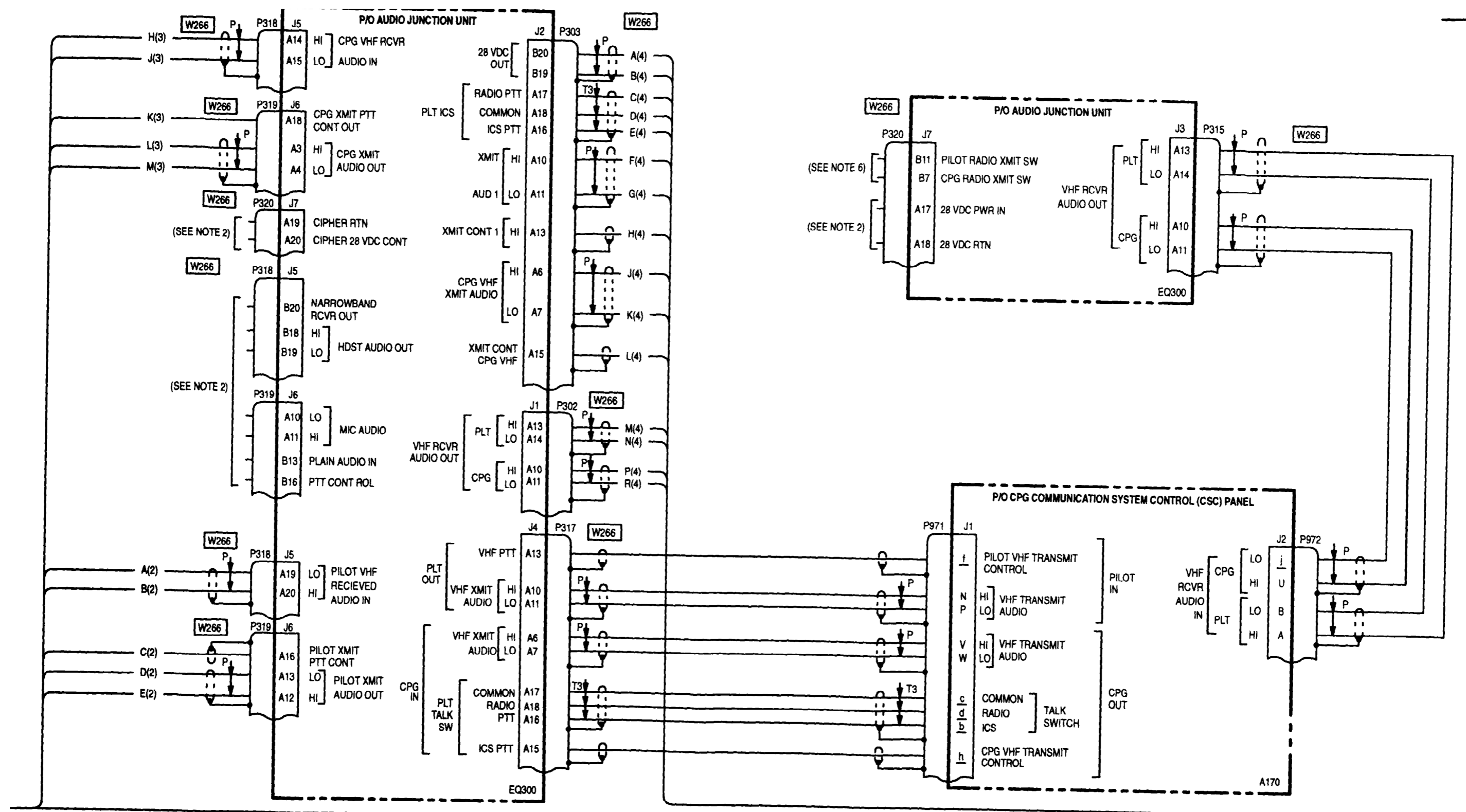
6-5



6-5. VHF AM-FM AN/ARC-186 AND VHF/FM AN/ARC-201A RADIO SET (ADI) - WIRING DIAGRAM (cont)

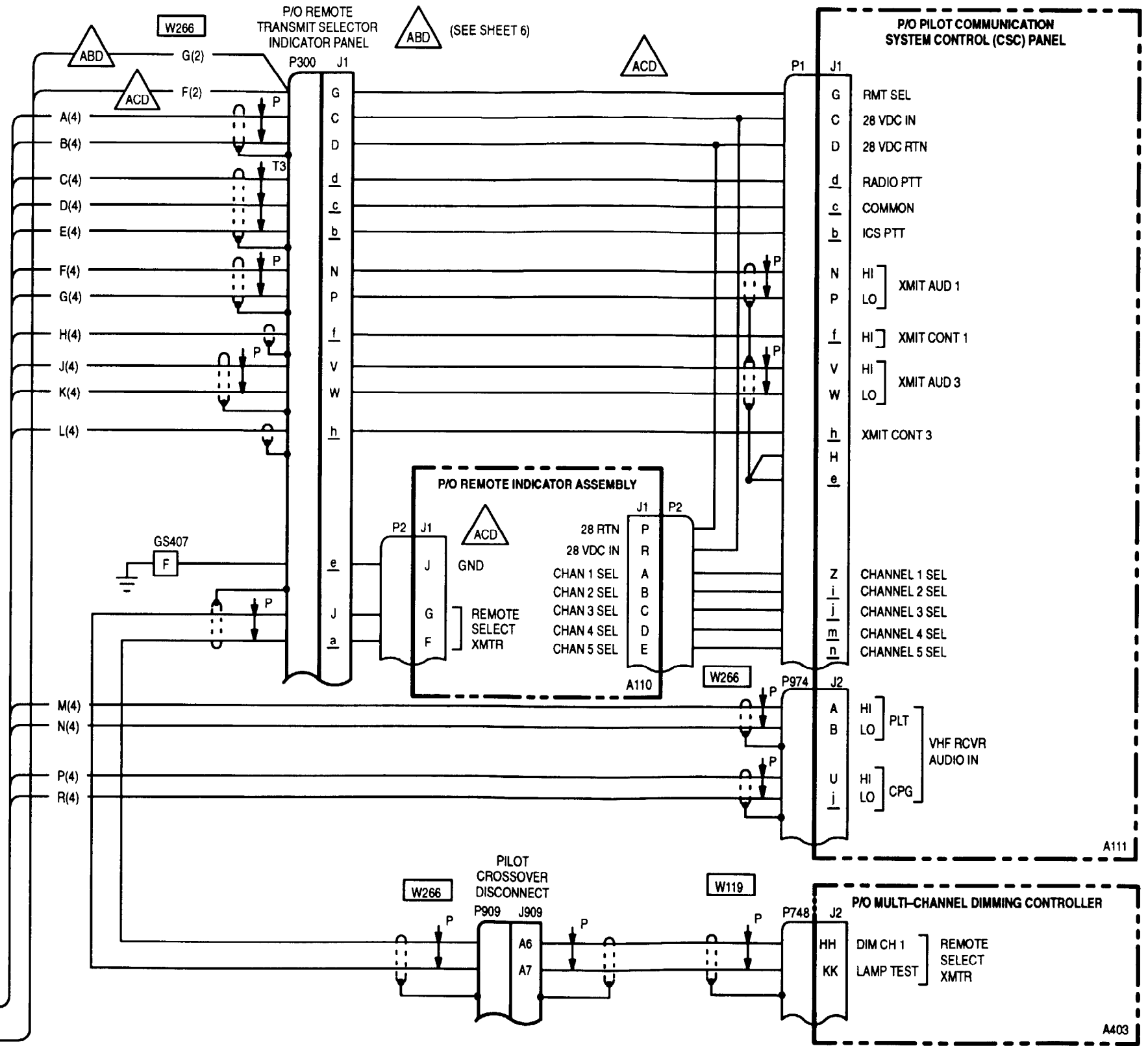


6-5. VHF AM-FM AN/ARC-186 AND VHF/FM AN/ARC-201A RADIO SET (ADI) - WIRING DIAGRAM (cont)



3
2

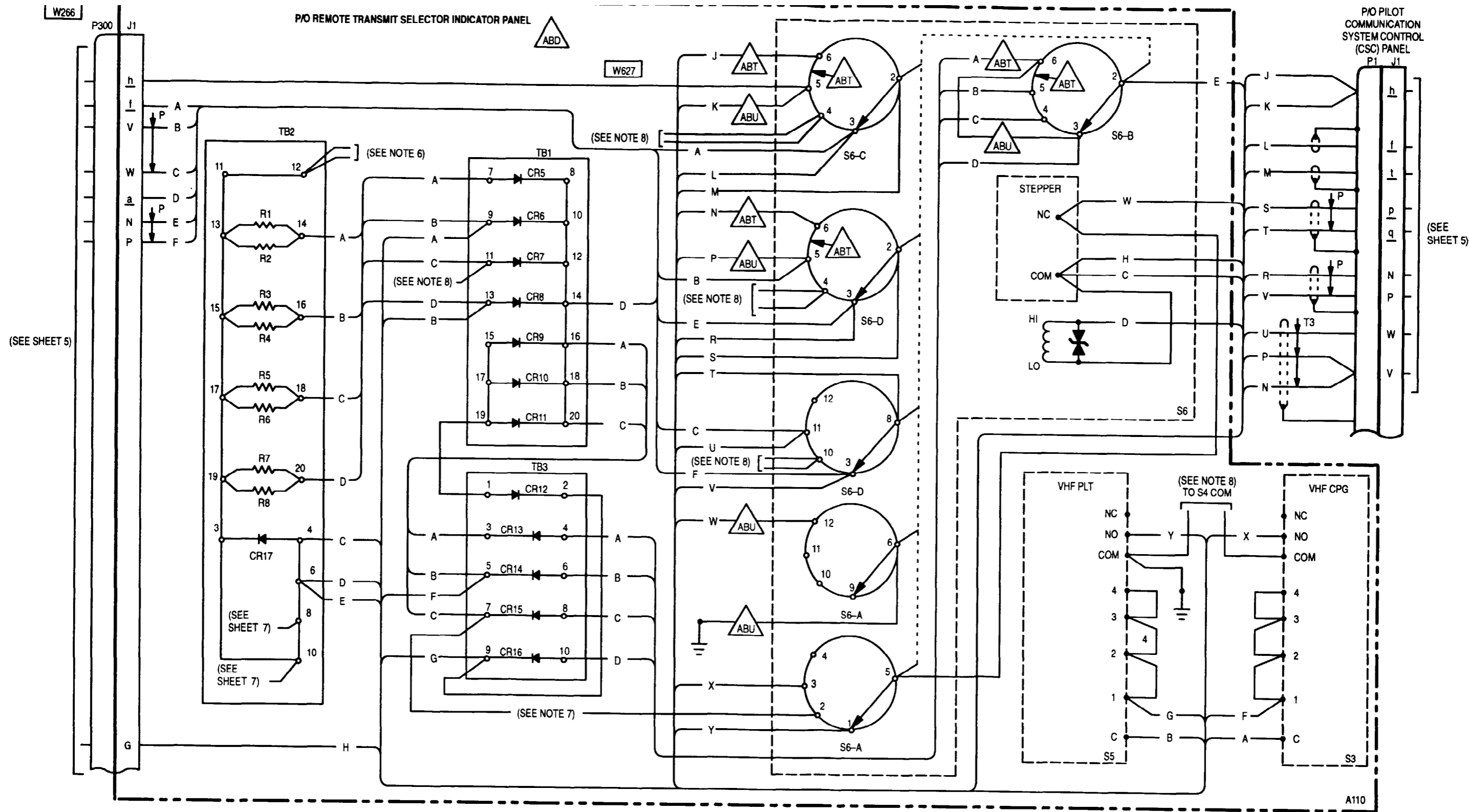
6-5. VHF AM-FM AN/ARC-186 AND VHF/FM AN/ARC-201A RADIO SET (ADI) - WIRING DIAGRAM (cont)



3
2

6-5. VHF AM-FM AN/ARC-186 AND VHF/FM AN/ARC-201A RADIO SET (ADI) - WIRING DIAGRAM (cont)

6-5



8-5. VHF AM-FM AN/ARC-188 AND VHF/FM AN/ARC-201A RADIO SET (ADI) - WIRING DIAGRAM (cont)**6-5****NOTES:**

1. REFER TO PARAGRAPH 9-14. CIRCUIT PROTECTION (DC EMERGENCY BUS - PILOT STATION) - WIRING DIAGRAM.
2. REFER TO PARAGRAPH 6-2. TSEC/KY-58 COMMUNICATIONS SECURITY EQUIPMENT - WIRING DIAGRAM.
3. REFER TO PARAGRAPH 9-15. CIRCUIT PROTECTION (DC EMERGENCY BUS - CPG STATION) - WIRING DIAGRAM.
4. WHEN COMMUNICATIONS SECURITY EQUIPMENT/KY-58 IS NOT INSTALLED, ADAPTER CABLE (P/O W266) MUST BE USED. IT INTERCONNECTS P332 AND P333.
5. REFER TO PARAGRAPH 9-19. EDGE-LIGHTS - WIRING DIAGRAM
- A REFER TO PARAGRAPH 6-1. INTERCOMMUNICATION - WIRING DIAGRAM.
7. REFER TO PARAGRAPH 9-18. CAUTION AND WARNING - WIRING DIAGRAM.
9. REFER TO PARAGRAPH 6-3. UHF-AM RADIO SET - WIRING DIAGRAM.

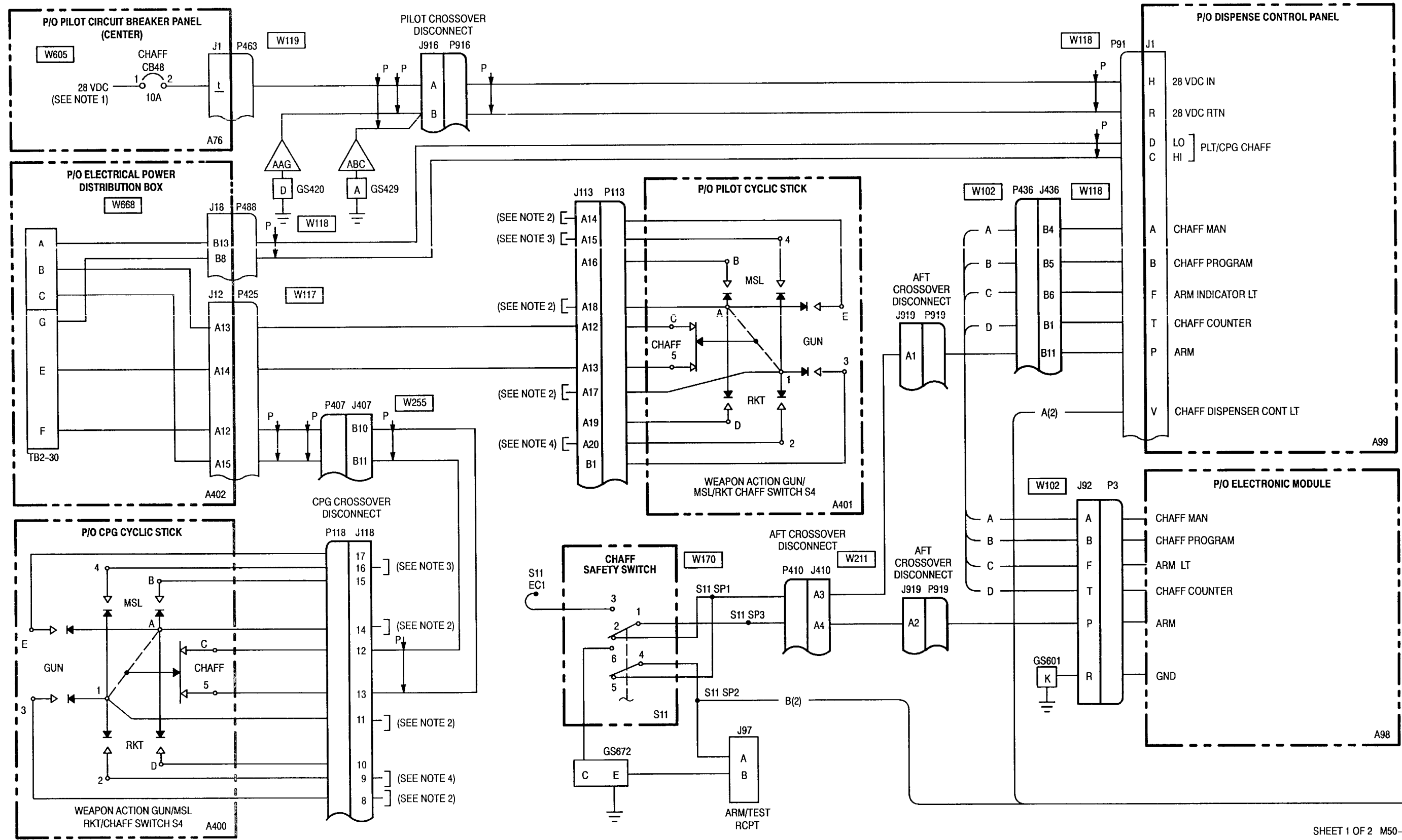
CHAPTER 7. CHAFF DISPENSER SYSTEM - WIRING DIAGRAM

CHAPTER OVERVIEW

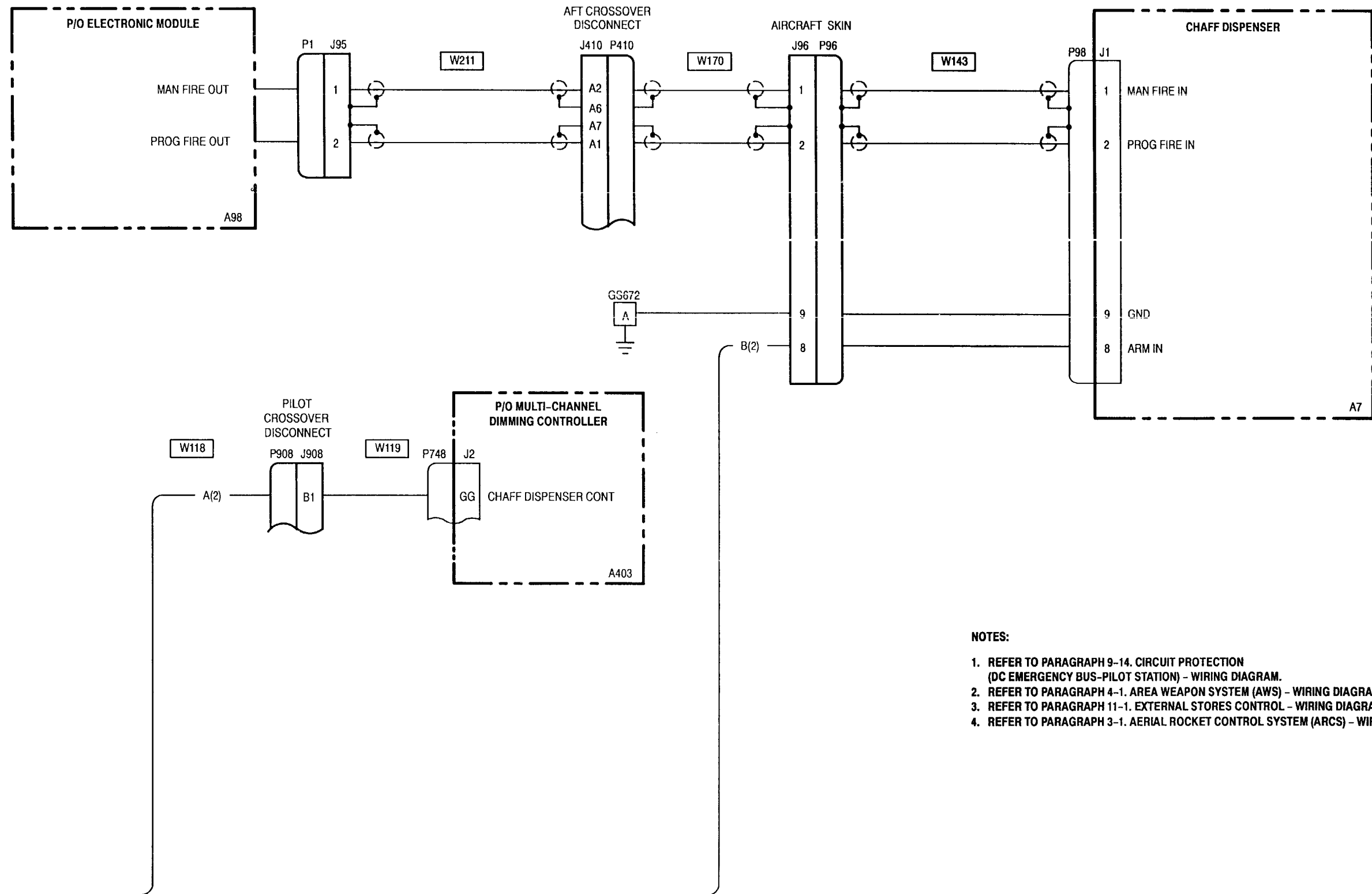
Chapter 7 contains the wiring diagram required for troubleshooting the chaff dispenser system.

<u>Para Title</u>	<u>Para No.</u>
Chaff Dispenser - Wiring Diagram	7-1

7-1. CHAFF DISPENSER- WIRING DIAGRAM



7-1. CHAFF DISPENSER - WIRING DIAGRAM (cont)



NOTES:

1. REFER TO PARAGRAPH 9-14. CIRCUIT PROTECTION (DC EMERGENCY BUS-PILOT STATION) - WIRING DIAGRAM.
2. REFER TO PARAGRAPH 4-1. AREA WEAPON SYSTEM (AWS) - WIRING DIAGRAM.
3. REFER TO PARAGRAPH 11-1. EXTERNAL STORES CONTROL - WIRING DIAGRAM.
4. REFER TO PARAGRAPH 3-1. AERIAL ROCKET CONTROL SYSTEM (ARCS) - WIRING DIAGRAM.

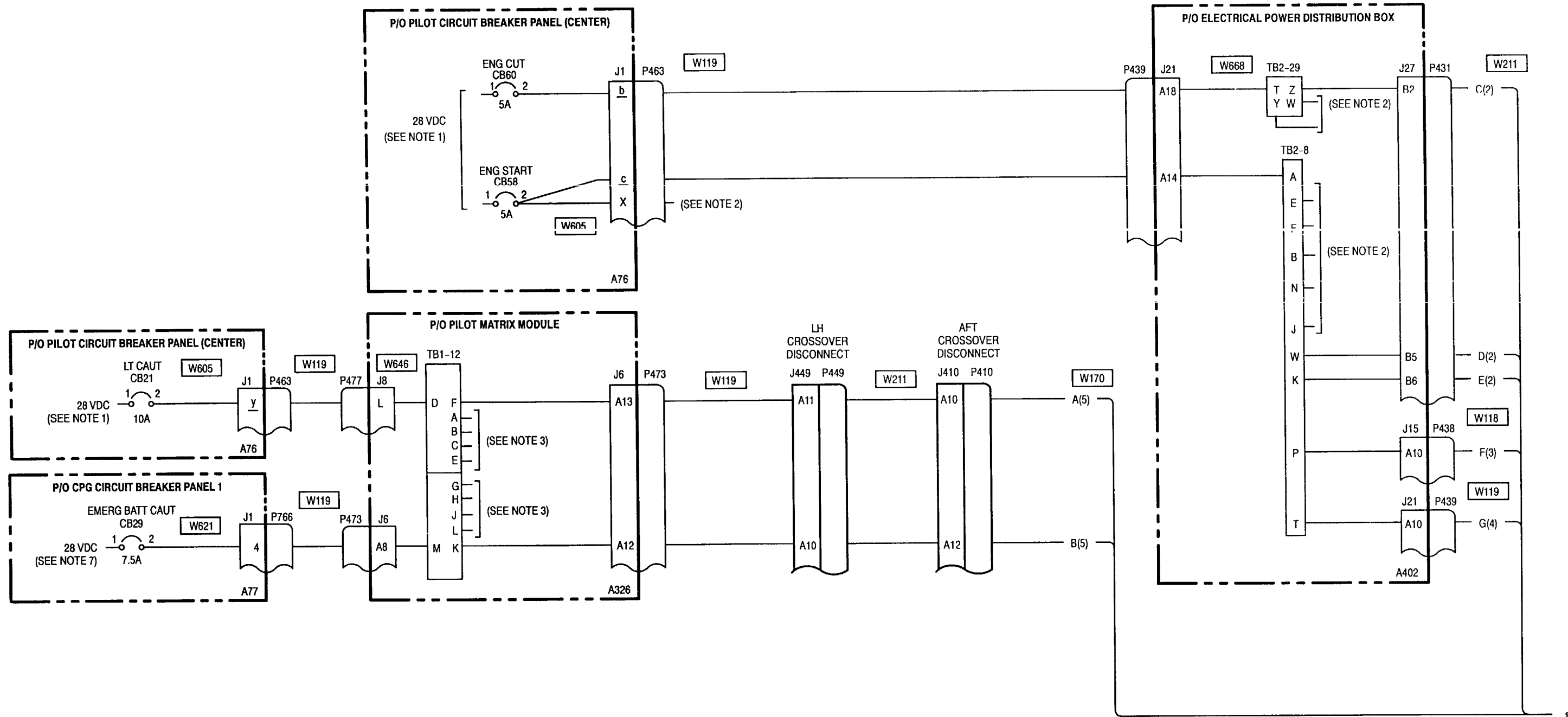
CHAPTER 8. DRIVE SYSTEM WIRING DIAGRAM

CHAPTER OVERVIEW

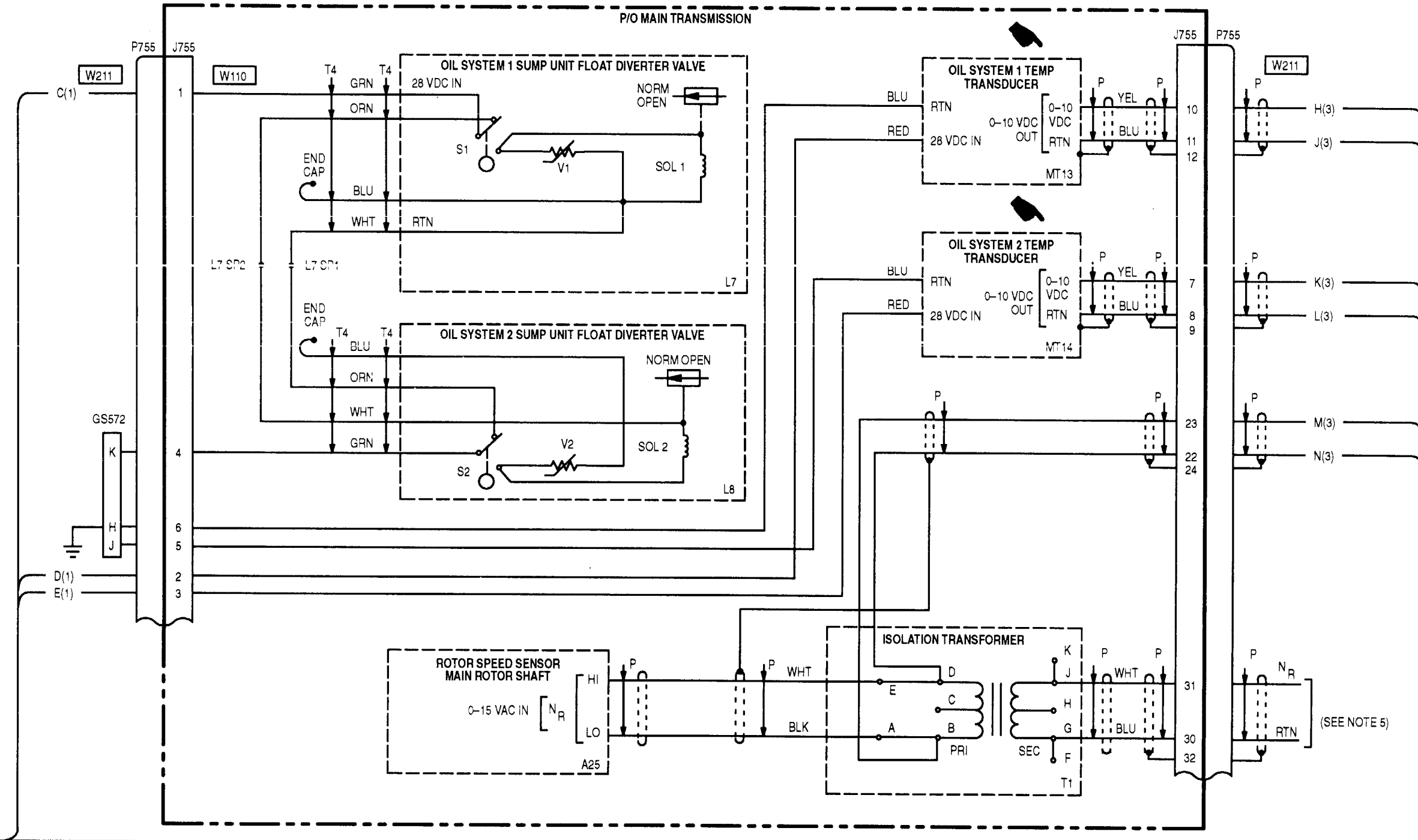
Chapter 8 contains the wiring diagram required for troubleshooting the drive system.

<u>Para Title</u>	<u>Para No.</u>
Drive System -Wiring Diagram.	8-1

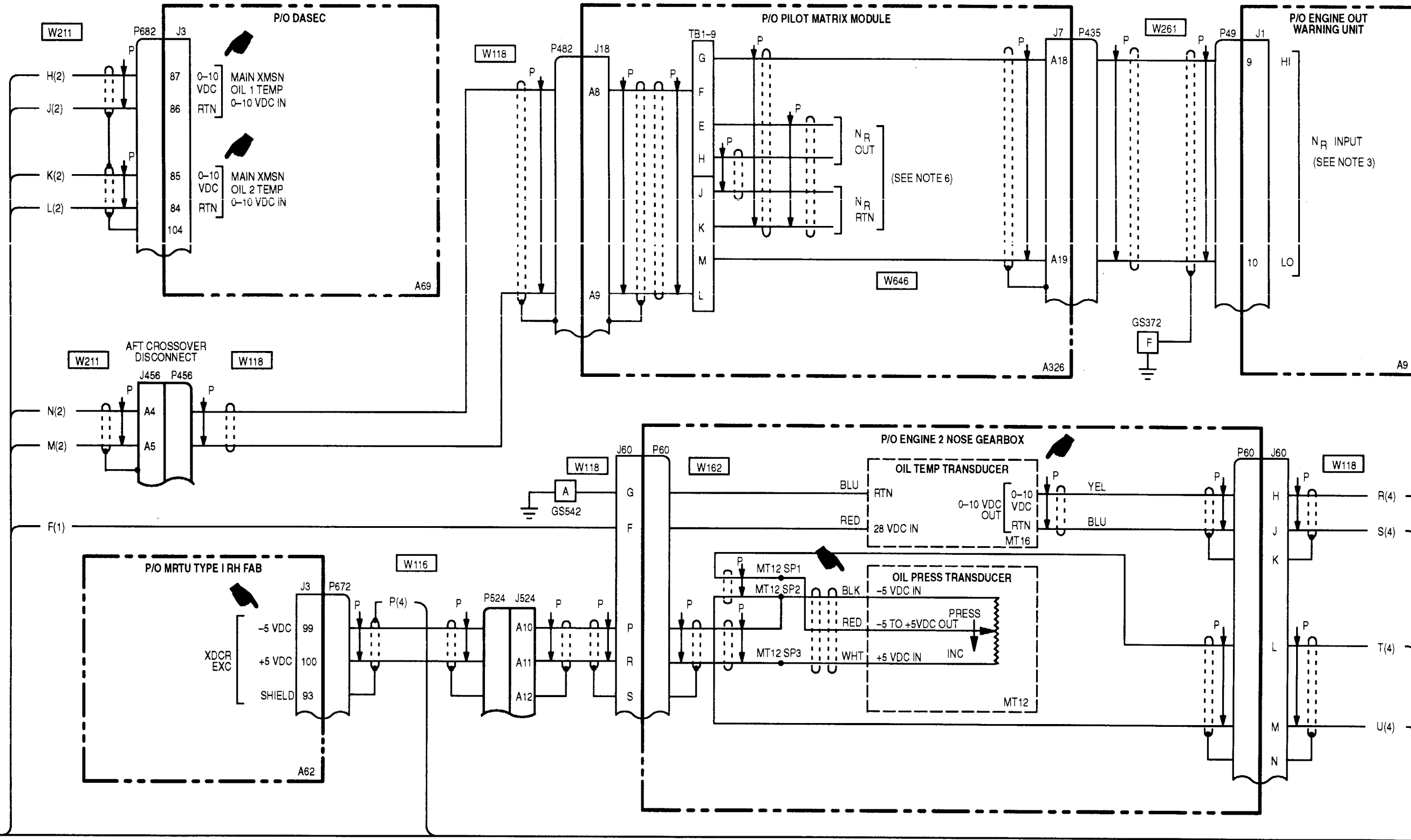
8-1. DRIVE SYSTEM - WIRING DIAGRAM



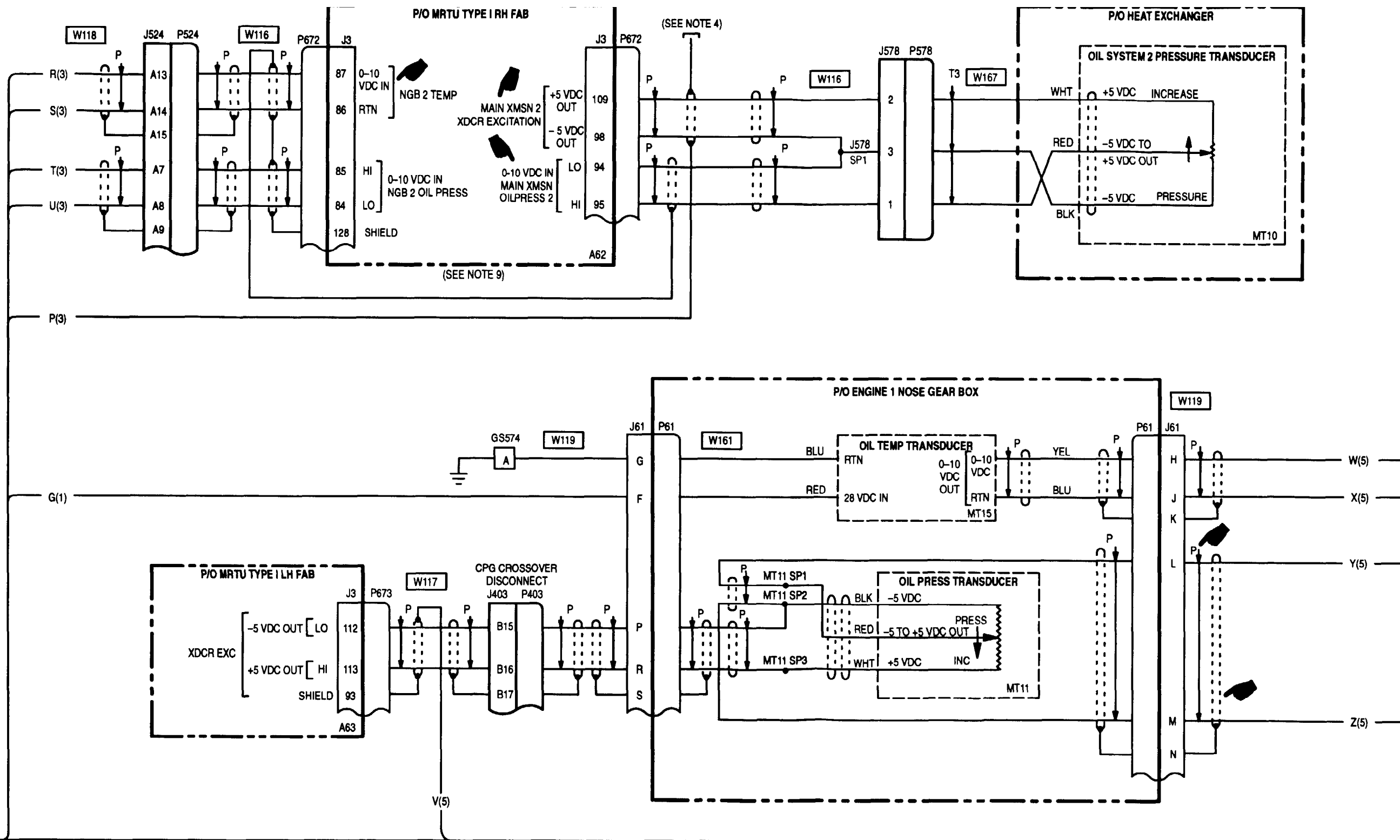
8-1. DRIVE SYSTEM - WIRING DIAGRAM (cont)



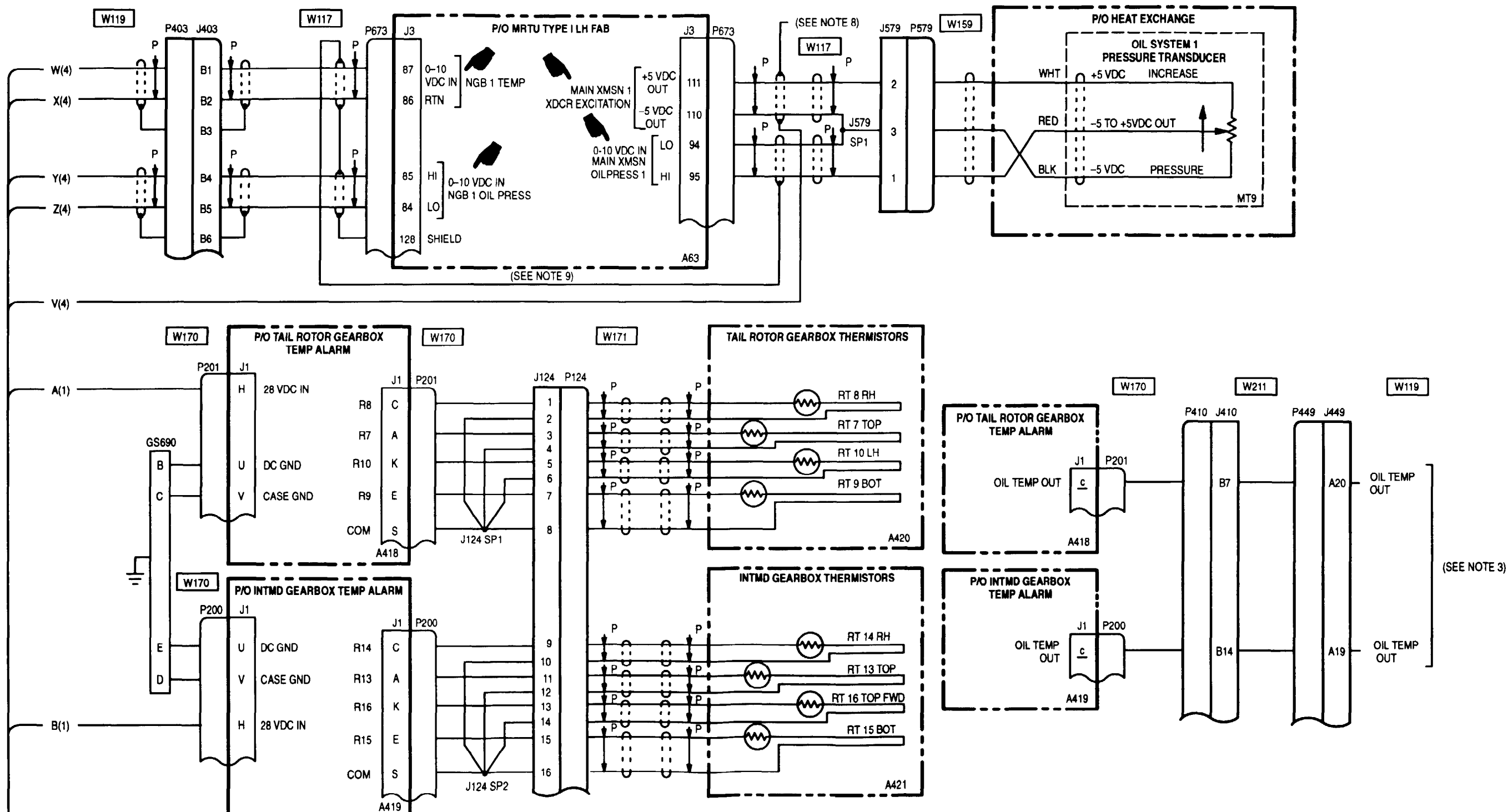
8-1. DRIVE SYSTEM - WIRING DIAGRAM (cont)



6-1. DRIVE SYSTEM -WIRING DIAGRAM (cont)



8-1. DRIVE SYSTEM - WIRING DIAGRAM (cont)



NOTES:

1. REFER TO PARAGRAPH 9-14. CIRCUIT PROTECTION (DC EMERGENCY BUS-PILOT STATION) - WIRING DIAGRAM.
2. REFER TO PARAGRAPH 23-1. POWER PLANTS - WIRING DIAGRAM.
3. REFER TO PARAGRAPH 9-18. CAUTION AND WARNING-WIRING DIAGRAM.
4. REFER TO PARAGRAPH 17-1. IHADSS - WIRING DIAGRAM.
5. REFER TO PARAGRAPH 5-1. AUXILIARY POWER UNIT (APU) - WIRING DIAGRAM.
6. REFER TO PARAGRAPH 16-1. ENGINE INSTRUMENTS- WIRING DIAGRAM.
7. REFER TO PARAGRAPH 9-15. CIRCUIT PROTECTION (DC EMERGENCY BUS-CPG STATION) - WIRING DIAGRAM.
8. REFER TO PARAGRAPH 24-1. TADS- WIRING DIAGRAM.
9. HI = +5VDC (>99 LB) MAX, LO = 5VDC (0 LB) MIN, DEFAULT = OVDC (50 LB).

CHAPTER 9. ELECTRICAL SYSTEM WIRING DIAGRAM

CHAPTER OVERVIEW

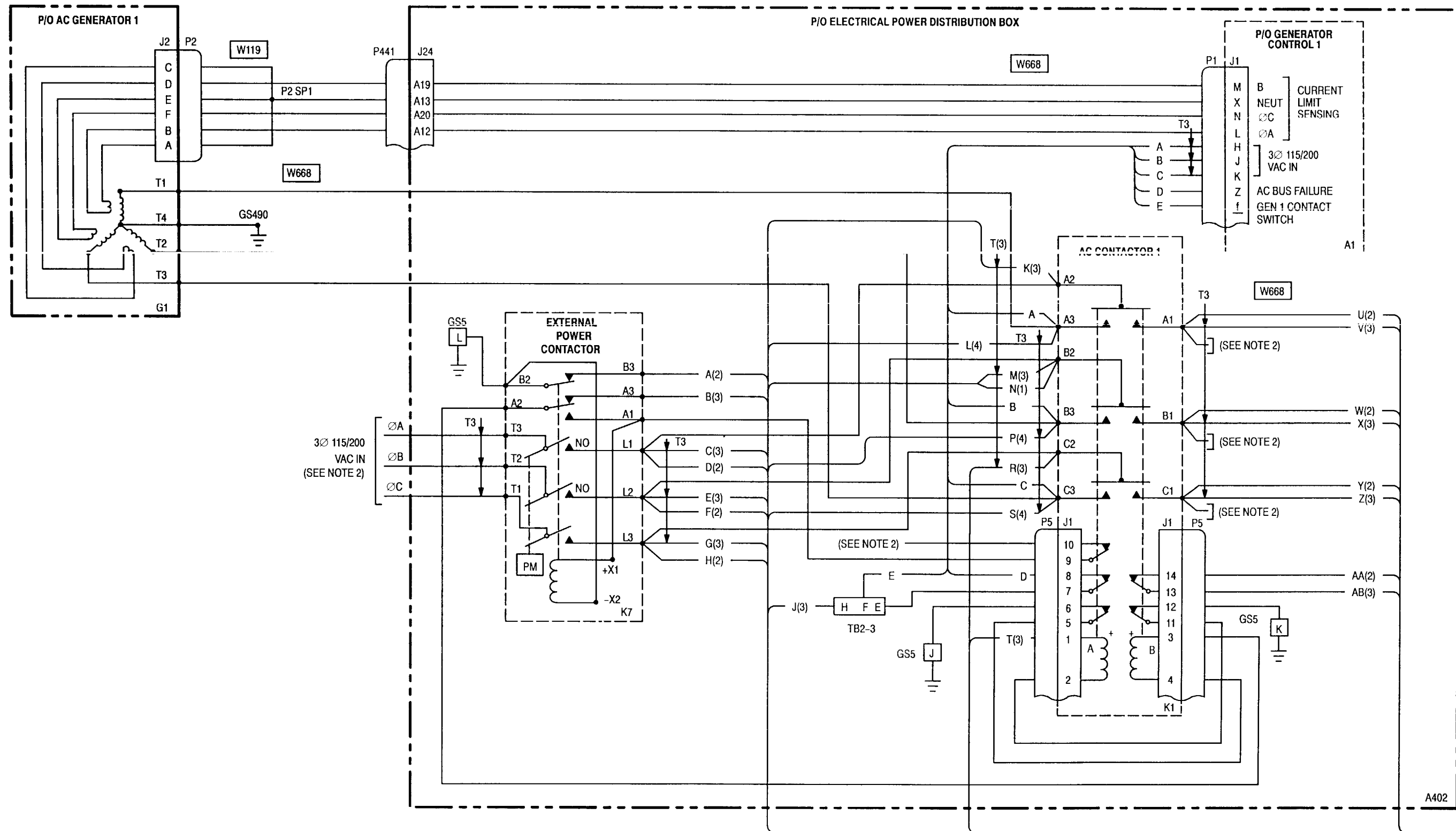
Chapter 9 contains wiring diagrams required for troubleshooting the electrical system.

Chapter 9 is divided into the following paragraphs:

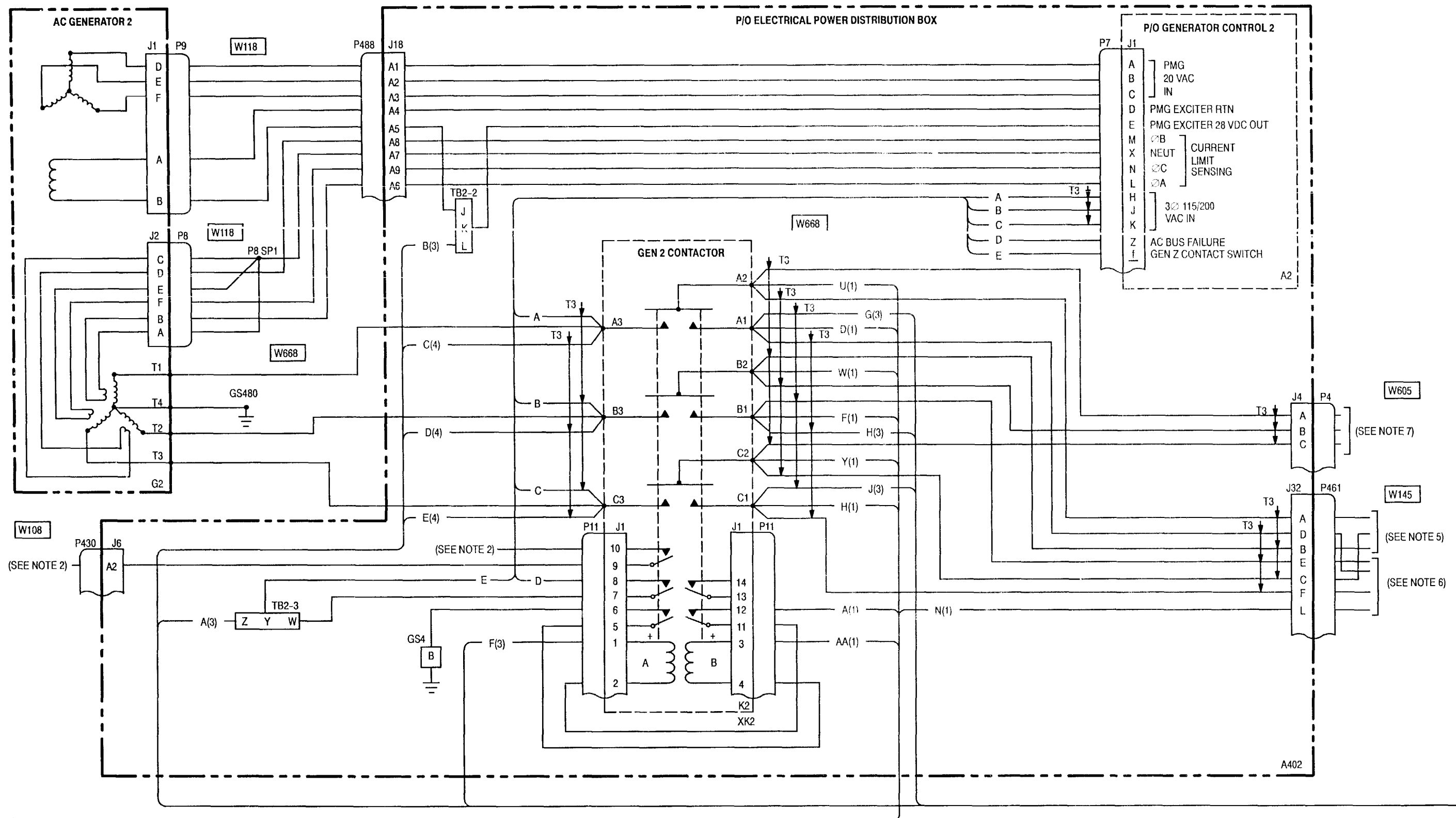
<u>Para Title</u>	<u>Para No.</u>
AC Electrical Power Generation- Wiring Diagram	9-1
DC Electrical Power Generation - Wiring Diagram	9-2
External Power and Ground Service Utility Connector - Wiring Diagram	9-3
Battery and Battery Charger - Wiring Diagram	9-4
Circuit Protection (AC Essential Bus 1- Pilot Station) -- Wiring Diagram	9-5
Circuit Protection (AC Essential Bus 1- CPG Station) - Wiring Diagram	9-6
Circuit Protection (AC Essential Bus 2- Pilot Station) - Wiring Diagram	9-7
Circuit Protection (AC Essential Bus 2- CPG Station) - Wiring Diagram	9-8
Circuit Protection (DC Essential Bus 1- Pilot Station) - Wiring Diagram	9-9
Circuit Protection (DC Essential Bus 1- CPG Station) - Wiring Diagram	9-10
Circuit Protection (DC Essential Bus 2- Pilot Station) - Wiring Diagram	9-11
Circuit Protection (DC Essential Bus 3- Pilot Station) - Wiring Diagram	9-12
Circuit Protection (DC Essential Bus 3- CPG Station) - Wiring Diagram	9-13
Circuit Protection (DC Emergency Bus - Pilot Station) - Wiring Diagram	9-14
Circuit Protection (DC Emergency Bus - CPG Station) - Wiring Diagram	9-15
Circuit Protection (DC Ground Circuit Breakers - Pilot Station) - Wiring Diagram . .	9-16
Circuit Protection (DC Ground Circuit Breakers - CPG Station) - Wiring Diagram . .	9-17
Caution and Warning - Wiring Diagram	9-18

<u>Para Title</u>	<u>Para No.</u>
Edge Lights - Wiring Diagram	9-19
CPG Utility and Secondary Lights -Wiring Diagram	9-20
Pilot Utility and Secondary Lights -Wiring Diagram	9-21
Anti-Collision Lights-Wiring Diagram	9-22
Formation Lights -Wiring Diagram	9-23
Landing/SearchLights-Wiring Diagram	9-24
Navigation Lights - Wiring Diagram	9-25
Maintenance Lights-Wiring Diagram	9-26
Audio Warning -Wiring Diagram	9-27
Squat Switch -Wiring Diagram	9-28

9-1. AC ELECTRICAL POWER GENERATION - WIRING DIAGRAM

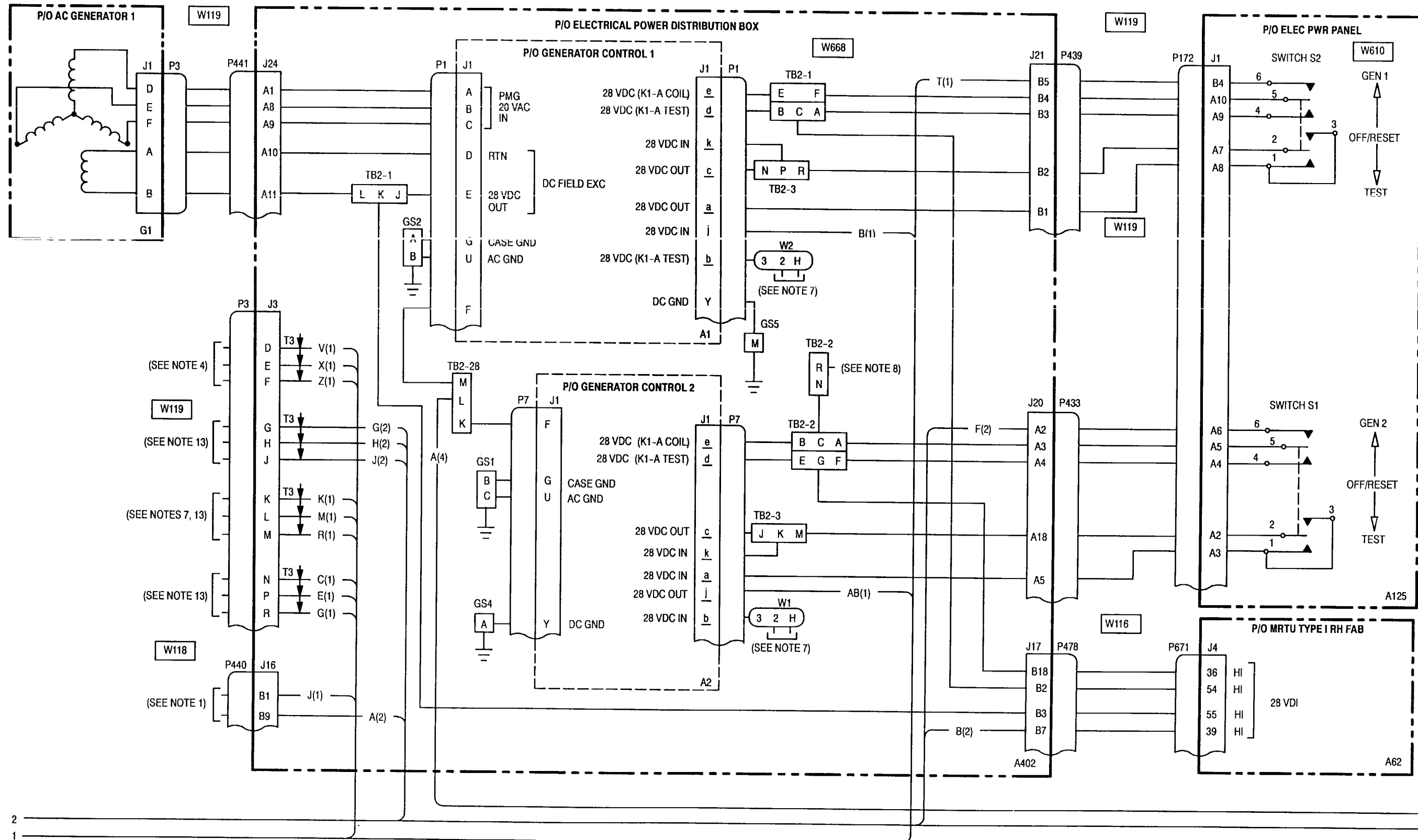


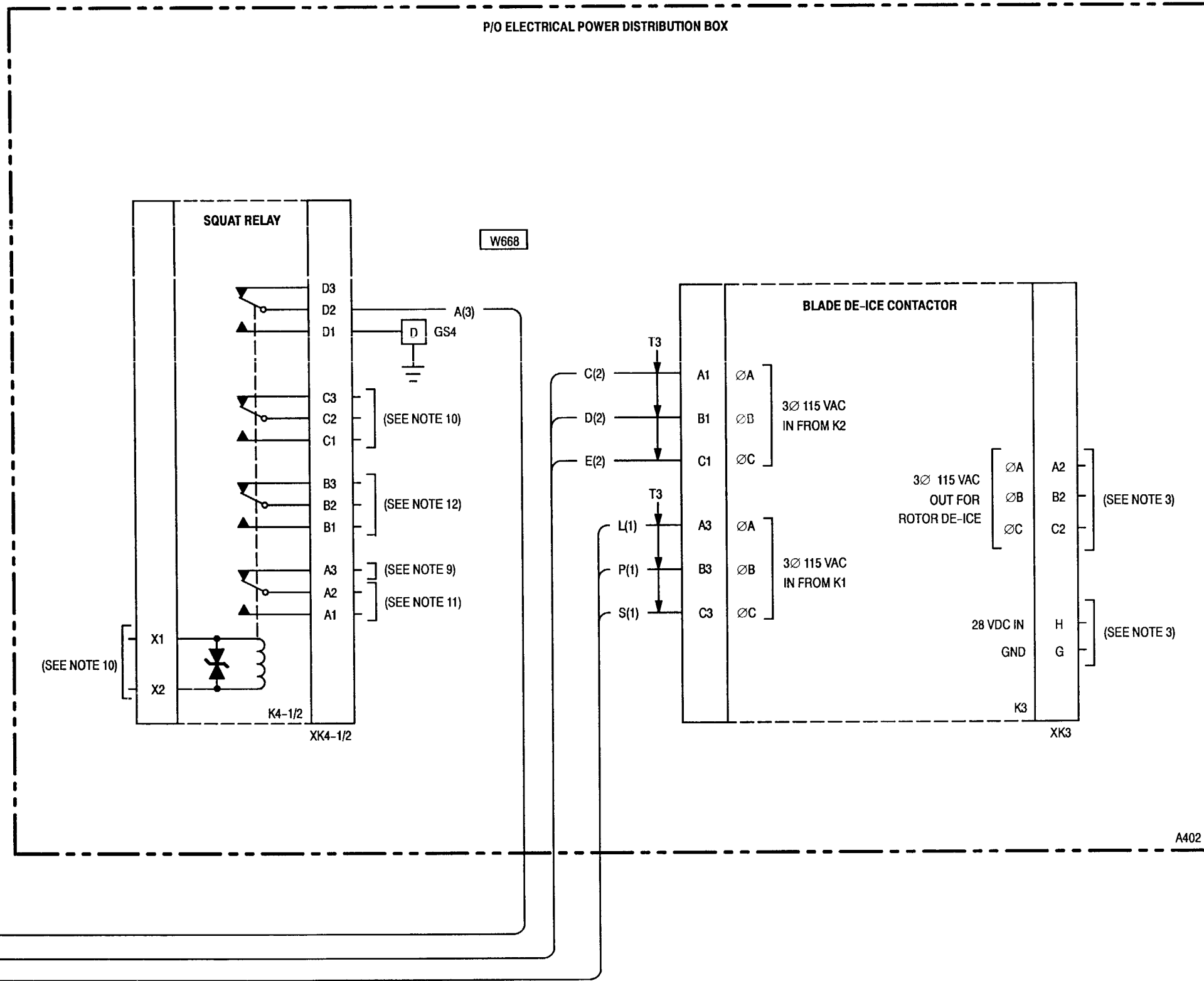
9-1. AC ELECTRICAL POWER GENERATION - WIRING DIAGRAM (cont)



1 2
1

9-1. AC ELECTRICAL POWER GENERATION - WIRING DIAGRAM (cont)



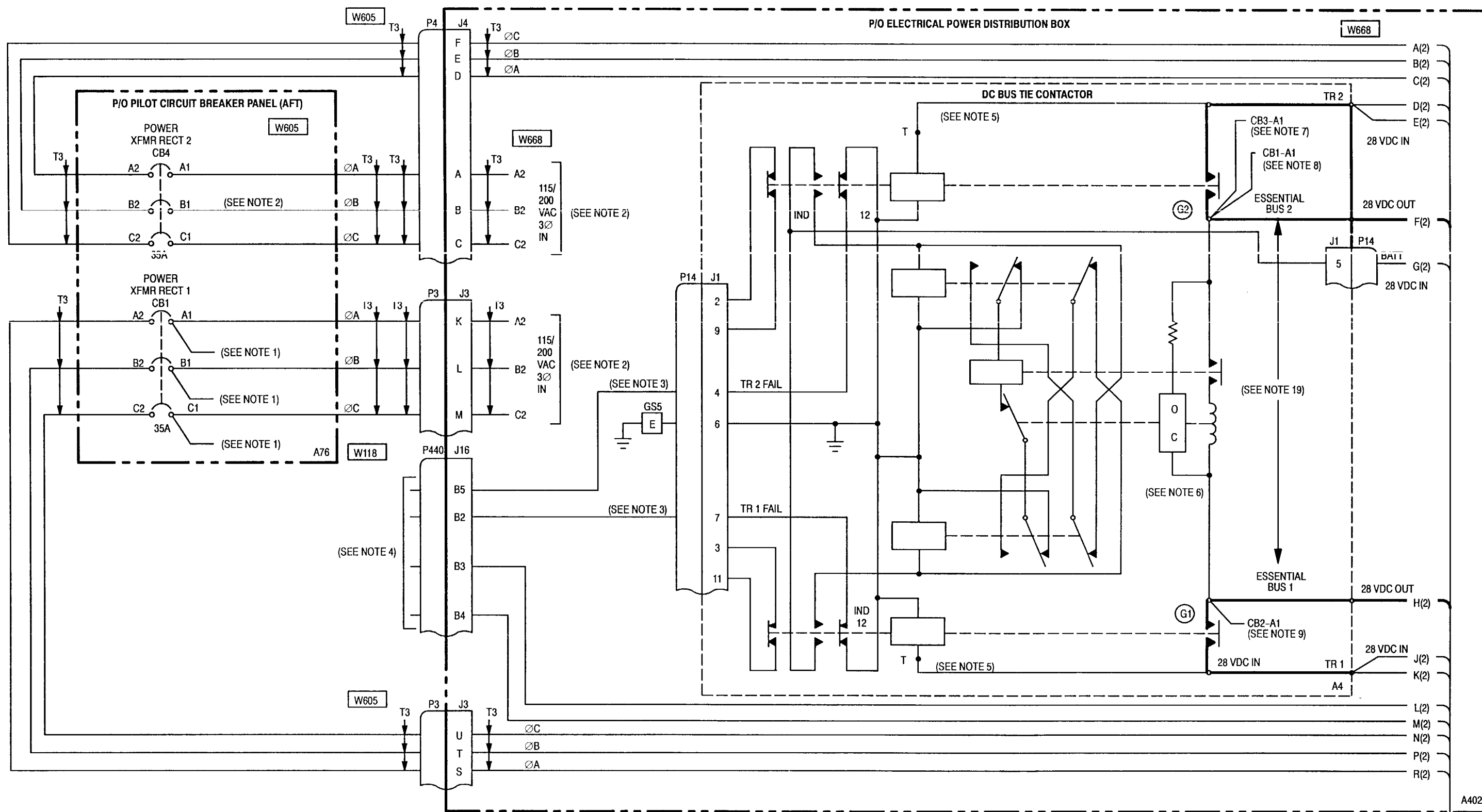


NOTES:

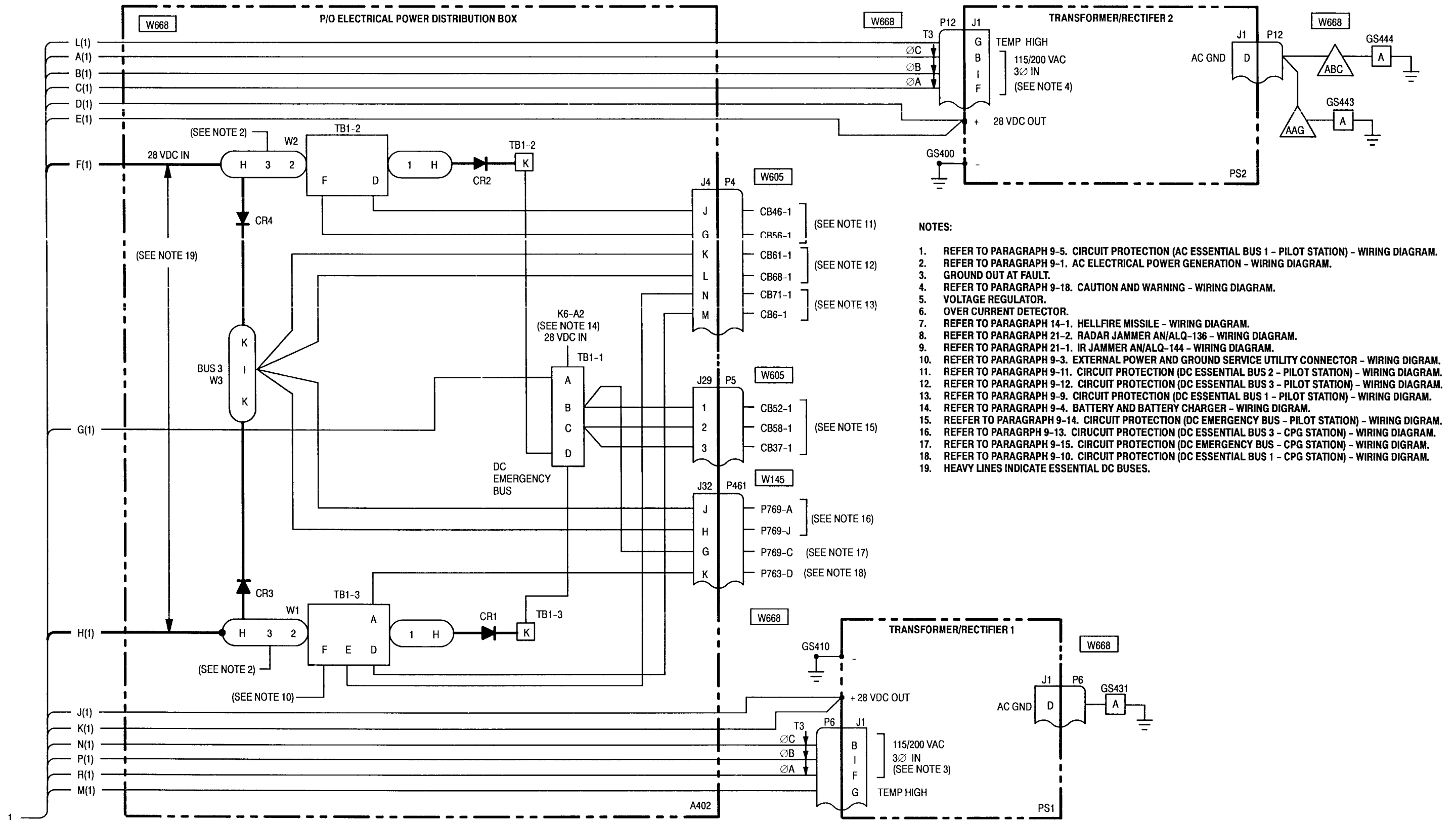
1. REFER TO PARAGRAPH 9-18. CAUTION AND WARNING - WIRING DIAGRAM.
2. REFER TO PARAGRAPH 9-3. EXTERNAL POWER AND GROUND SERVICE UTILITY CONNECTOR - WIRING DIAGRAM.
3. REFER TO PARAGRAPH 25-3. ROTOR BLADES DE-ICE - WIRING DIAGRAM.
4. REFER TO PARAGRAPH 9-7. CIRCUIT PROTECTION (AC ESSENTIAL BUS 2 - PILOT STATION) - WIRING DIAGRAM.
5. REFER TO PARAGRAPH 9-8. CIRCUIT PROTECTION (AC ESSENTIAL BUS 2 - CPG STATION) - WIRING DIAGRAM.
6. REFER TO PARAGRAPH 9-6. CIRCUIT PROTECTION (AC ESSENTIAL BUS 1 - CPG STATION) - WIRING DIAGRAM.
7. REFER TO PARAGRAPH 9-2. DC ELECTRICAL POWER GENERATION - WIRING DIAGRAM.
8. REFER TO PARAGRAPH 5-1. AUXILIARY POWER UNIT (APU) - WIRING DIAGRAM.
9. REFER TO PARAGRAPH 11-1. EXTERNAL STORES CONTROL - WIRING DIAGRAM.
10. REFER TO PARAGRAPH 16-1. IFF - WIRING DIAGRAM.
11. REFER TO PARAGRAPH 4-1. AREA WEAPON SYSTEM (AWS) - WIRING DIAGRAM.
12. REFER TO PARAGRAPH 12-1. DASE - WIRING DIAGRAM (BUCS DEACTIVATED) (SERIAL NO. 82-23355 THRU 88-0199) OR PARAGRAPH 12-2. DASE - WIRING DIAGRAM (BUCS ACTIVATED) (SERIAL NO. 88-0200 AND SUBSEQUENT).
13. REFER TO PARAGRAPH 9-5. CIRCUIT PROTECTION (AC ESSENTIAL BUS 1 - PILOT STATION) - WIRING DIAGRAM.

3
2
1

9-2. DC ELECTRICAL POWER GENERATION - WIRING DIAGRAM

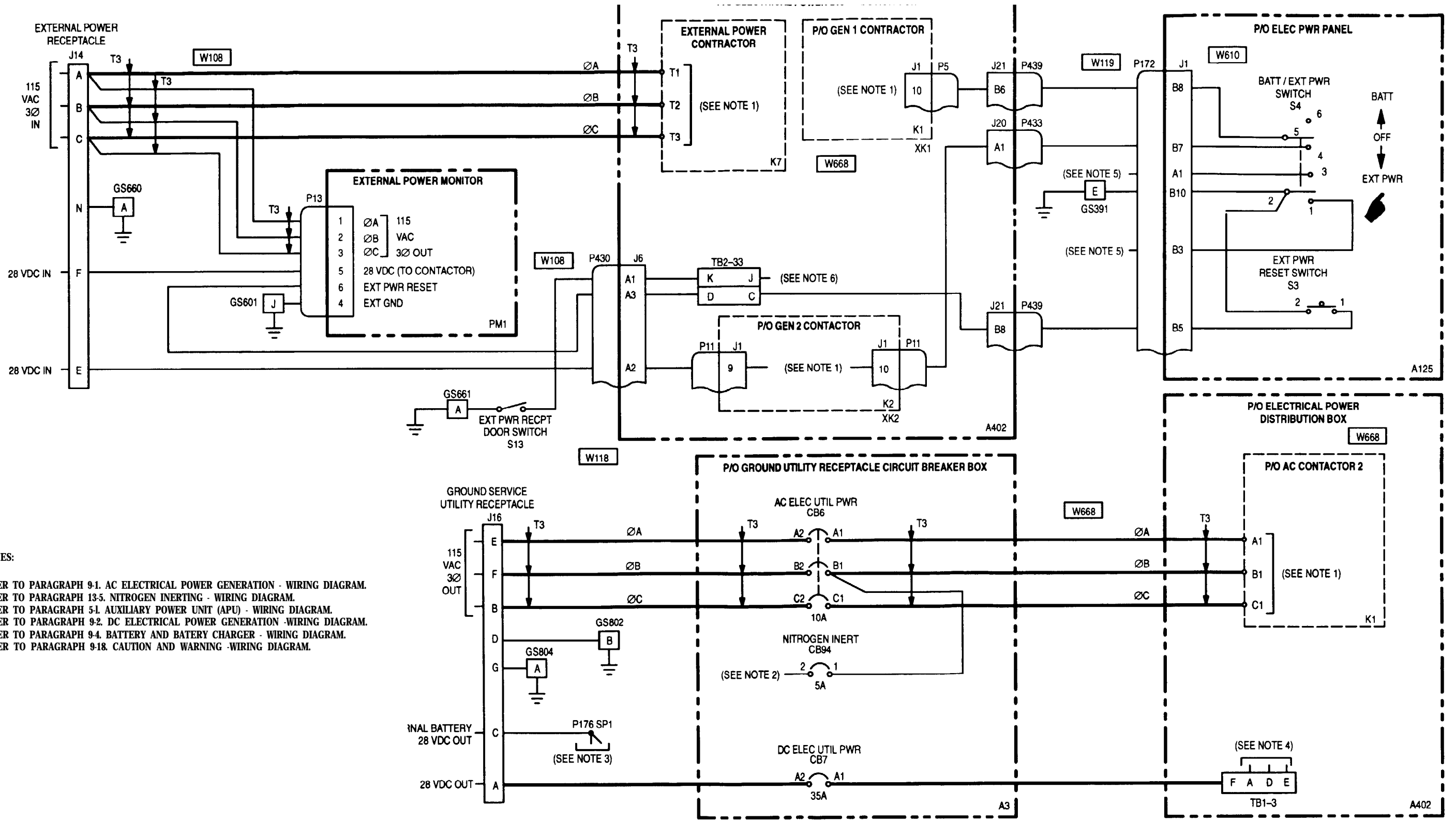


9-2. DC ELECTRICAL POWER GENERATION - WIRING DIAGRAM (cont)



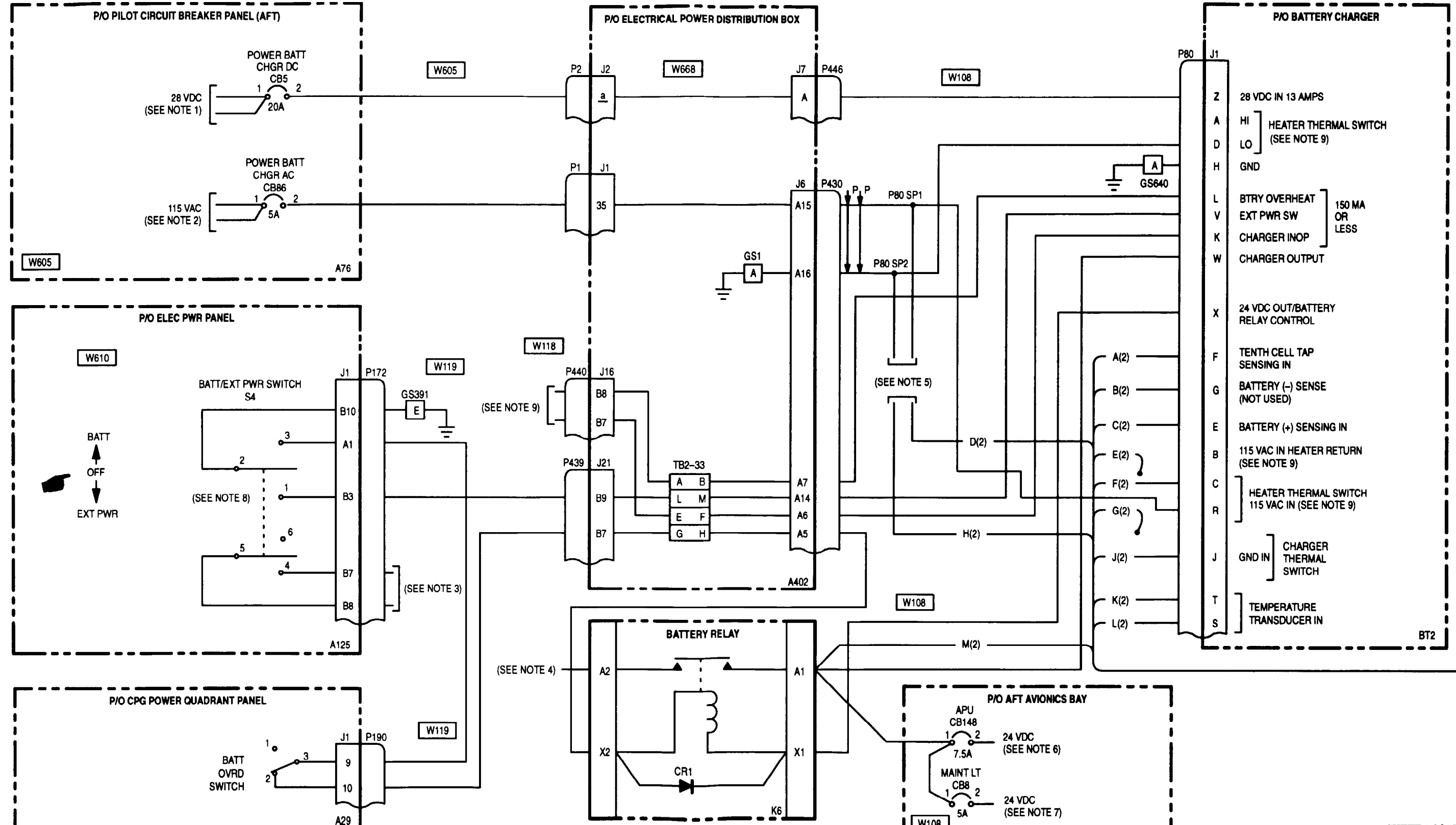
- NOTES:**
1. REFER TO PARAGRAPH 9-5. CIRCUIT PROTECTION (AC ESSENTIAL BUS 1 - PILOT STATION) - WIRING DIAGRAM.
 2. REFER TO PARAGRAPH 9-1. AC ELECTRICAL POWER GENERATION - WIRING DIAGRAM.
 3. GROUND OUT AT FAULT.
 4. REFER TO PARAGRAPH 9-18. CAUTION AND WARNING - WIRING DIAGRAM.
 5. VOLTAGE REGULATOR.
 6. OVER CURRENT DETECTOR.
 7. REFER TO PARAGRAPH 14-1. HELLFIRE MISSILE - WIRING DIAGRAM.
 8. REFER TO PARAGRAPH 21-2. RADAR JAMMER AN/ALQ-136 - WIRING DIAGRAM.
 9. REFER TO PARAGRAPH 21-1. IR JAMMER AN/ALQ-144 - WIRING DIAGRAM.
 10. REFER TO PARAGRAPH 9-3. EXTERNAL POWER AND GROUND SERVICE UTILITY CONNECTOR - WIRING DIAGRAM.
 11. REFER TO PARAGRAPH 9-11. CIRCUIT PROTECTION (DC ESSENTIAL BUS 2 - PILOT STATION) - WIRING DIAGRAM.
 12. REFER TO PARAGRAPH 9-12. CIRCUIT PROTECTION (DC ESSENTIAL BUS 3 - PILOT STATION) - WIRING DIAGRAM.
 13. REFER TO PARAGRAPH 9-9. CIRCUIT PROTECTION (DC ESSENTIAL BUS 1 - PILOT STATION) - WIRING DIAGRAM.
 14. REFER TO PARAGRAPH 9-4. BATTERY AND BATTERY CHARGER - WIRING DIAGRAM.
 15. REFER TO PARAGRAPH 9-14. CIRCUIT PROTECTION (DC EMERGENCY BUS - PILOT STATION) - WIRING DIAGRAM.
 16. REFER TO PARAGRAPH 9-13. CIRCUIT PROTECTION (DC ESSENTIAL BUS 3 - CPG STATION) - WIRING DIAGRAM.
 17. REFER TO PARAGRAPH 9-15. CIRCUIT PROTECTION (DC EMERGENCY BUS - CPG STATION) - WIRING DIAGRAM.
 18. REFER TO PARAGRAPH 9-10. CIRCUIT PROTECTION (DC ESSENTIAL BUS 1 - CPG STATION) - WIRING DIAGRAM.
 19. HEAVY LINES INDICATE ESSENTIAL DC BUSES.

9-3. EXTERNAL POWER AND GROUND SERVICE UTILITY CONNECTOR-WIRING DIAGRAM

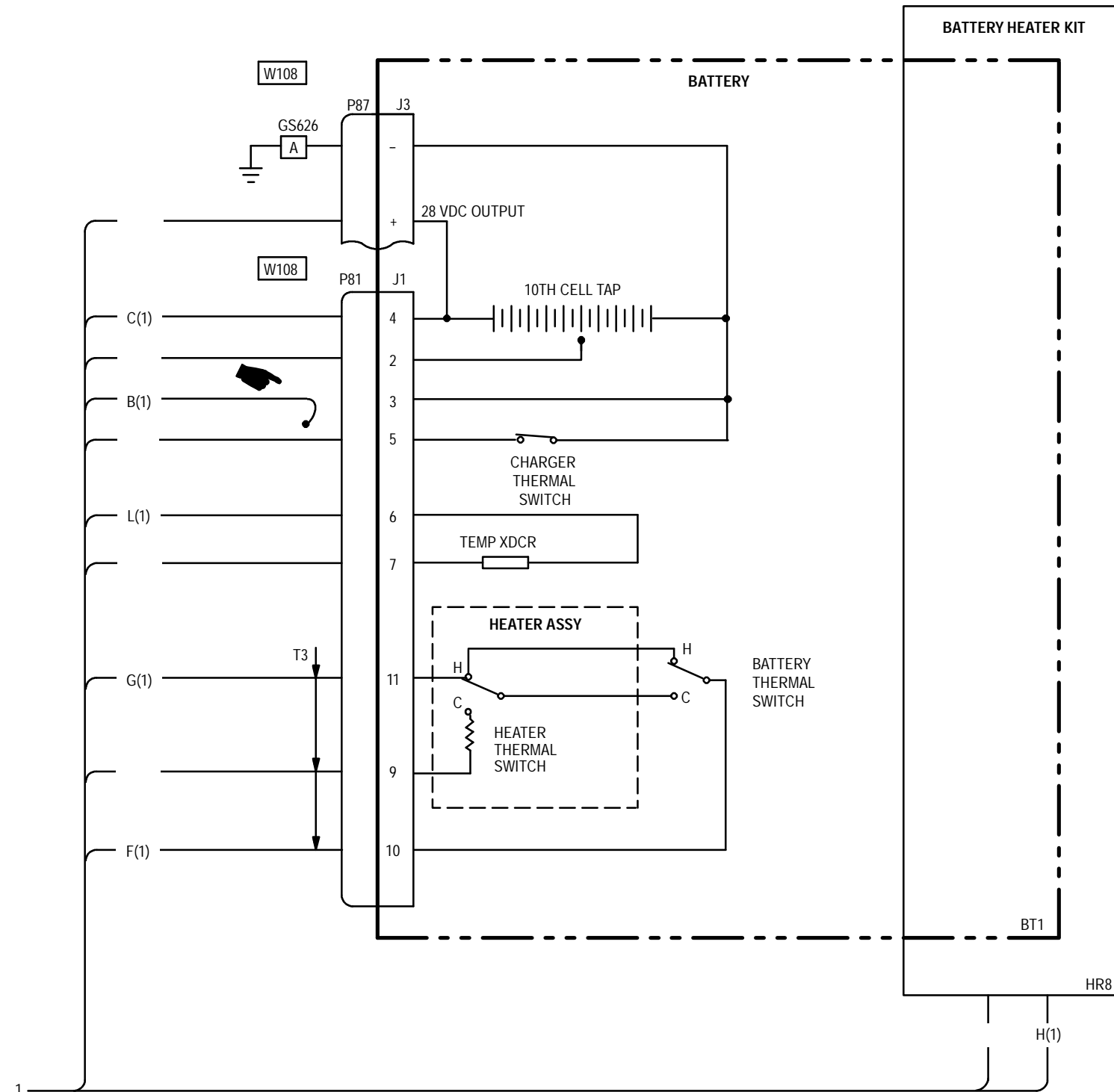


- NOTES:
1. REFER TO PARAGRAPH 9-1. AC ELECTRICAL POWER GENERATION - WIRING DIAGRAM.
 2. REFER TO PARAGRAPH 13-5. NITROGEN INERTING - WIRING DIAGRAM.
 3. REFER TO PARAGRAPH 5-1. AUXILIARY POWER UNIT (APU) - WIRING DIAGRAM.
 4. REFER TO PARAGRAPH 9-2. DC ELECTRICAL POWER GENERATION - WIRING DIAGRAM.
 5. REFER TO PARAGRAPH 9-4. BATTERY AND BATTERY CHARGER - WIRING DIAGRAM.
 6. REFER TO PARAGRAPH 9-18. CAUTION AND WARNING - WIRING DIAGRAM.

9-4. BATTERY AND BATTERY CHARGER - WIRING DIAGRAM



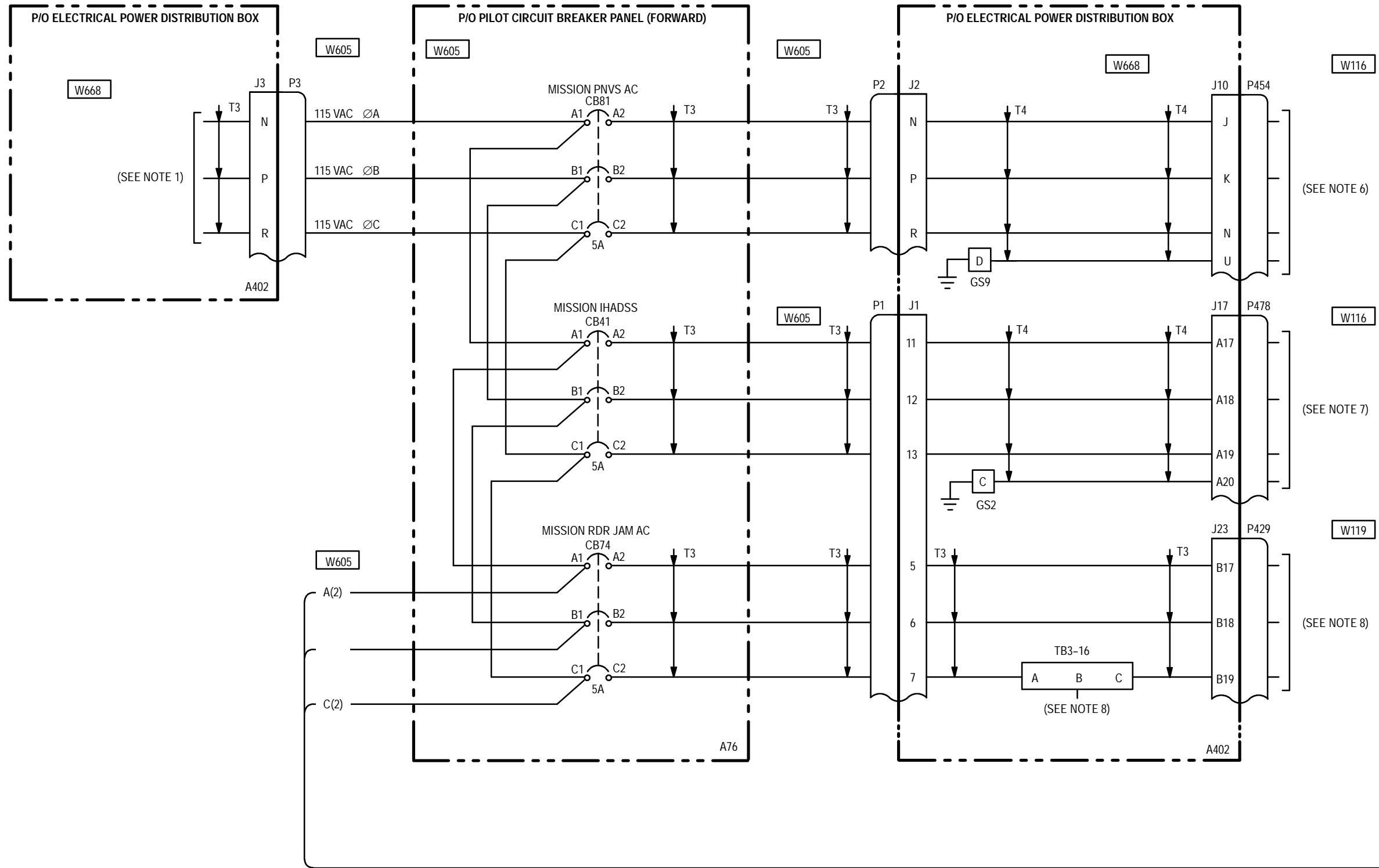
9-4. BATTERY AND BATTERY CHARGER - WIRING DIAGRAM (cont)



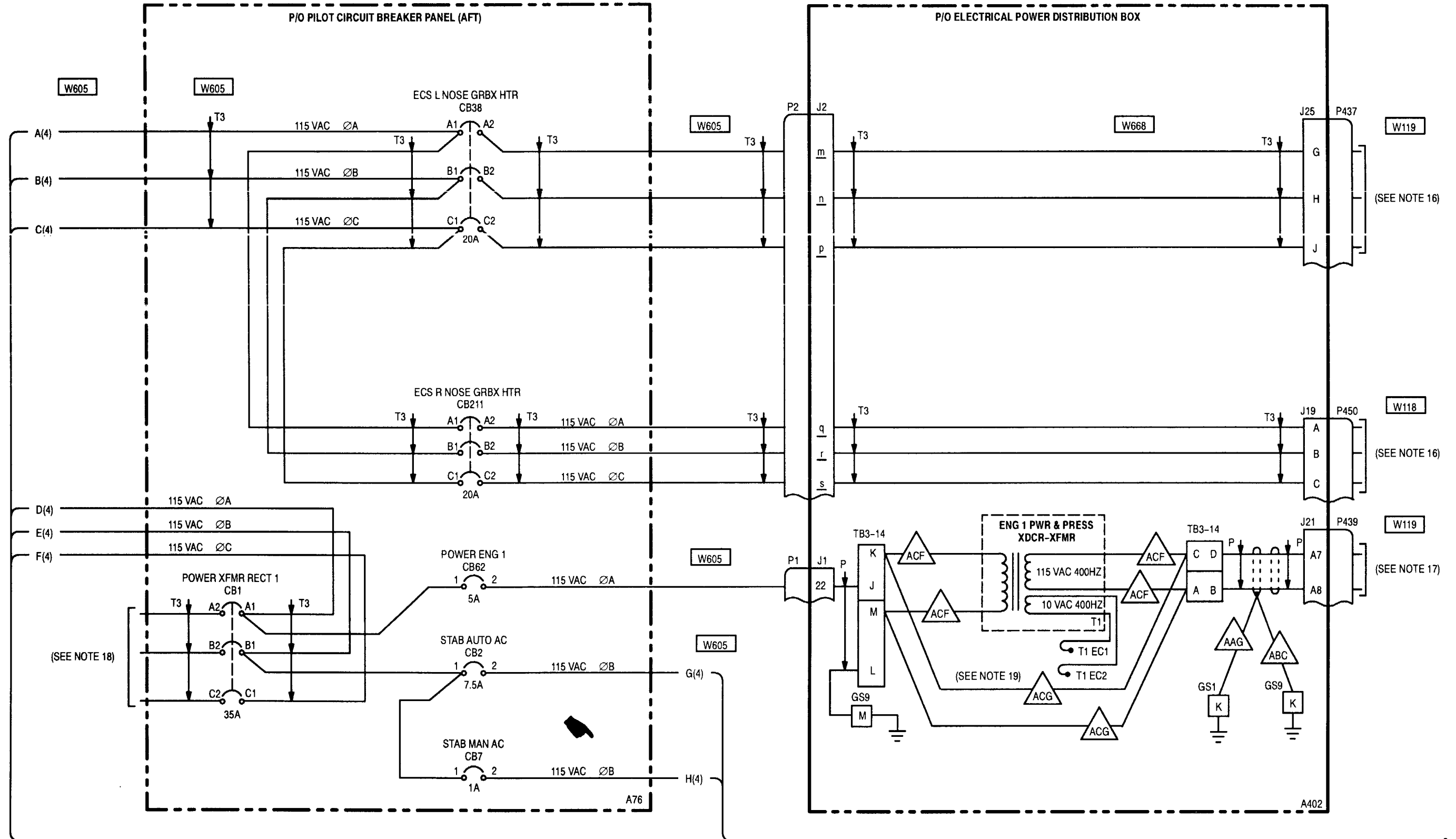
NOTES:

1. REFER TO PARAGRAPH 9-9. CIRCUIT PROTECTION (DC ESSENTIAL BUS 1 - PILOT STATION) - WIRING DIAGRAM.
2. REFER TO PARAGRAPH 9-7. CIRCUIT PROTECTION (AC ESSENTIAL BUS 2 - PILOT STATION) - WIRING DIAGRAM.
3. REFER TO PARAGRAPH 9-1. AC ELECTRICAL POWER GENERATION - WIRING DIAGRAM.
4. REFER TO PARAGRAPH 9-2. DC ELECTRICAL POWER GENERATION - WIRING DIAGRAM.
5. THESE WIRES ARE PART OF THE HEATER KIT.
6. REFER TO PARAGRAPH 5-1. AUXILIARY POWER UNIT (APU) - WIRING DIAGRAM.
7. REFER TO PARAGRAPH 9-26. MAINTENANCE LIGHTS - WIRING DIAGRAM.
8. REFER TO PARAGRAPH 9-3. EXTERNAL POWER AND GROUND SERVICE UTILITY CONNECTOR - WIRING DIAGRAM.
9. REFER TO PARAGRAPH 9-18. CAUTION AND WARNING - WIRING DIAGRAM.

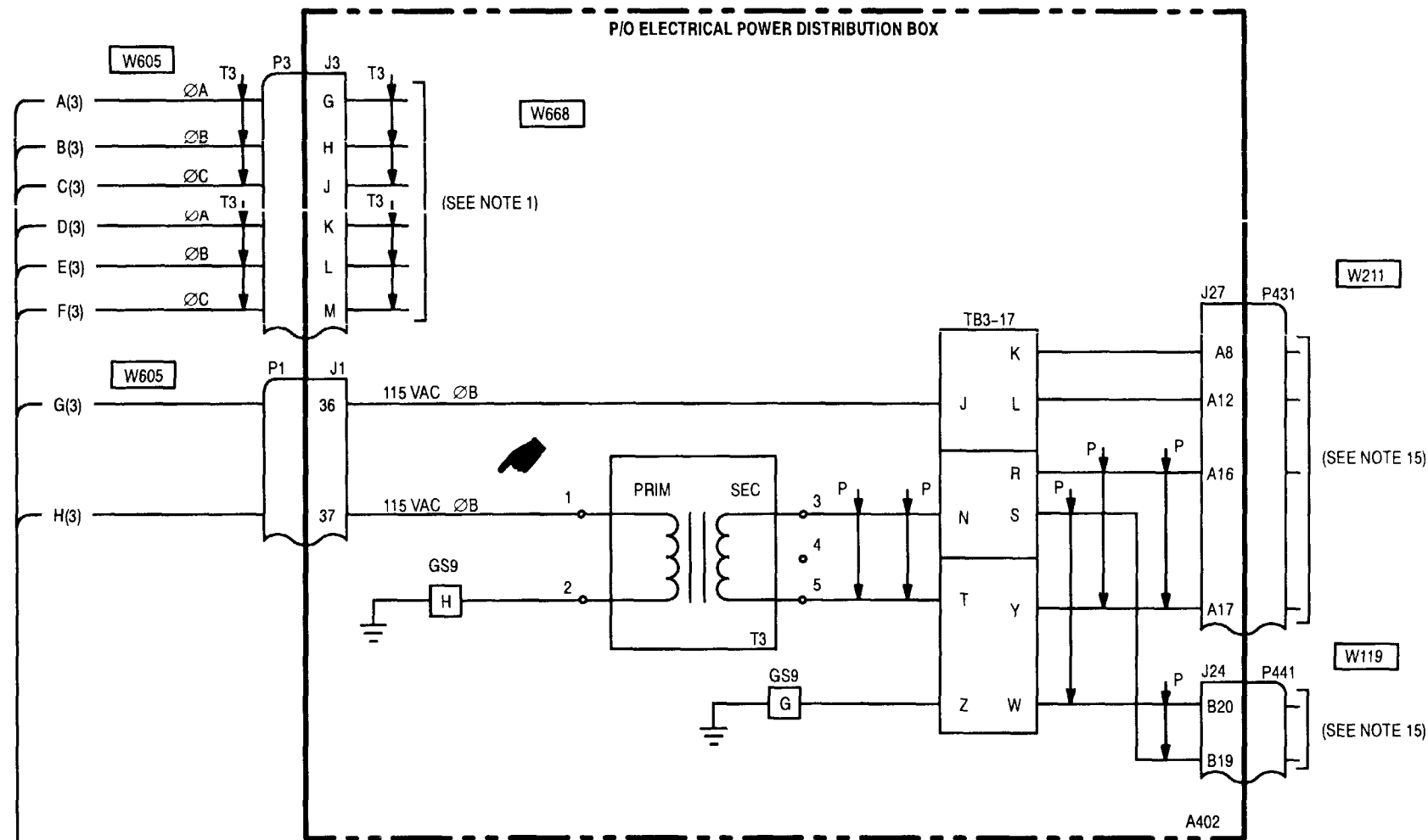
9-5. CIRCUIT PROTECTION (AC ESSENTIAL BUS 1 - PILOT STATION) - WIRING DIAGRAM



9-5. CIRCUIT PROTECTION (AC ESSENTIAL BUS 1 - PILOT STATION) - WIRING DIAGRAM (cont)



9-5. CIRCUIT PROTECTION (AC ESSENTIAL BUS 1 - PILOT STATION) - WIRING DIAGRAM (cont)



NOTES:

1. REFER TO PARAGRAPH 9-1. AC ELECTRICAL POWER GENERATION - WIRING DIAGRAM.
2. REFER TO PARAGRAPH 9-23. FORMATION LIGHTS - WIRING DIAGRAM.
3. REFER TO PARAGRAPH 9-22. ANTI-COLLISION LIGHTS - WIRING DIAGRAM.
4. REFER TO 9-19. EDGE LIGHTS - WIRING DIAGRAM.
5. REFER TO PARAGRAPH 12-1. DASE - WIRING DIAGRAM (BUCS DEACTIVATED) (SERIAL NO. 82-23355 THRU 88-0199) OR PARAGRAPH 12-2. DASE - WIRING DIAGRAM (BUCS ACTIVATED) (SERIAL NO. 88-0200 AND SUBSEQUENT).
6. REFER TO PARAGRAPH 22-1. PNVS - WIRING DIAGRAM.
7. REFER TO PARAGRAPH 17-1. IHADSS - WIRING DIAGRAM.
8. REFER TO PARAGRAPH 21-2. RADAR JAMMER AN/ALQ-136 - WIRING DIAGRAM.
9. REFER TO PARAGRAPH 2-1. AIR DATA SYSTEM (ADS) - WIRING DIAGRAM.
10. REFER TO PARAGRAPH 20-4. HEADING AND ATTITUDE REFERENCE SET - WIRING DIAGRAM.
11. REFER TO PARAGRAPH 18-2. NAVIGATION INSTRUMENTS - WIRING DIAGRAM.
12. REFER TO PARAGRAPH 11-1. EXTERNAL STORES CONTROL - WIRING DIAGRAM.
13. REFER TO PARAGRAPH 26-1. SYMBOL GENERATOR - WIRING DIAGRAM.
14. REFER TO PARAGRAPH 19-1. MULTIPLEX - WIRING DIAGRAM.
15. REFER TO PARAGRAPH 12-4. STABILATOR - WIRING DIAGRAM.
16. REFER TO PARAGRAPH 25-2. ENGINE ANTI-ICE - WIRING DIAGRAM.
17. REFER TO PARAGRAPH 23-1. POWER PLANTS - WIRING DIAGRAM.
18. REFER TO PARAGRAPH 9-2. DC ELECTRICAL POWER GENERATION - WIRING DIAGRAM.

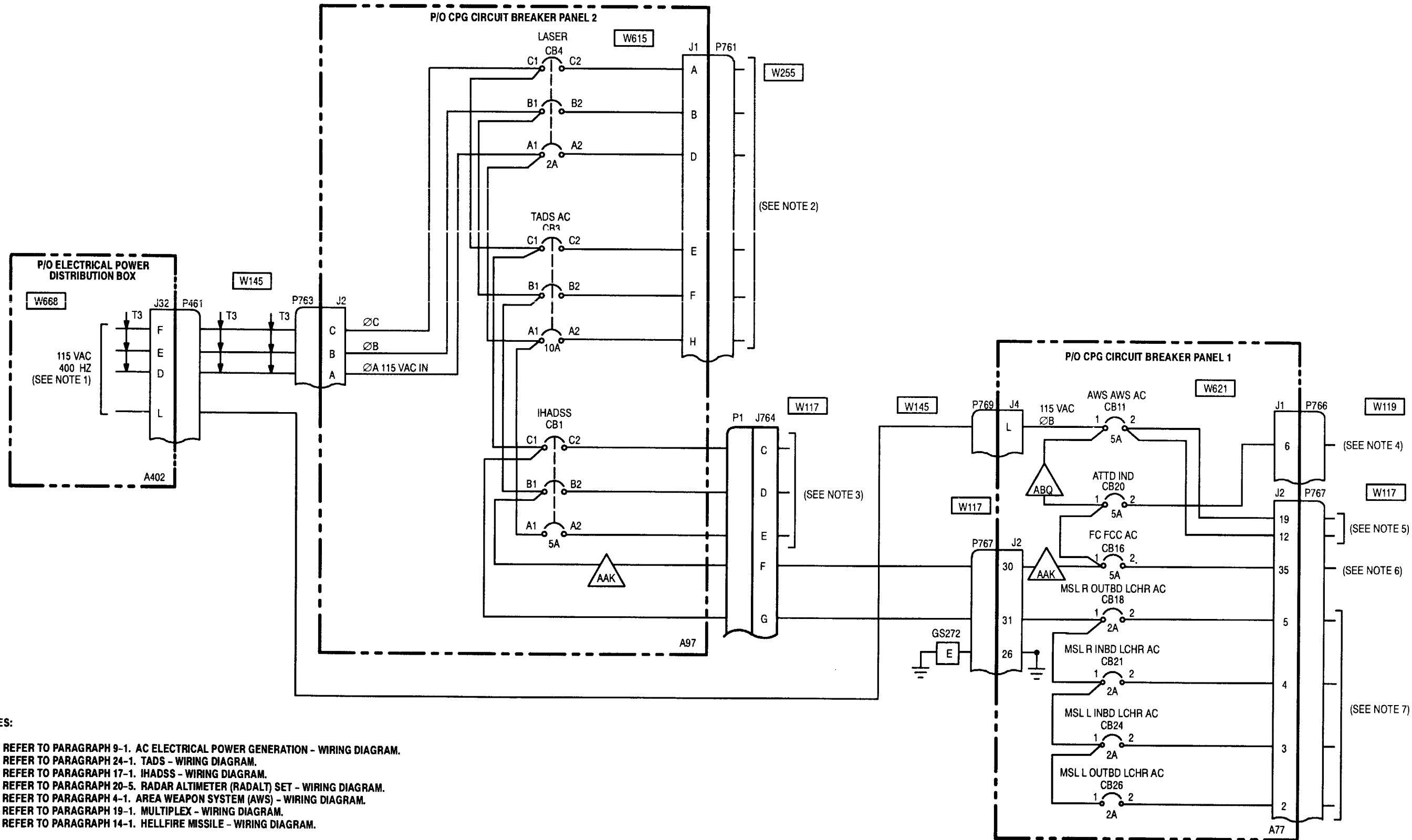


BEFORE MWO 1-1520-238-50-29.



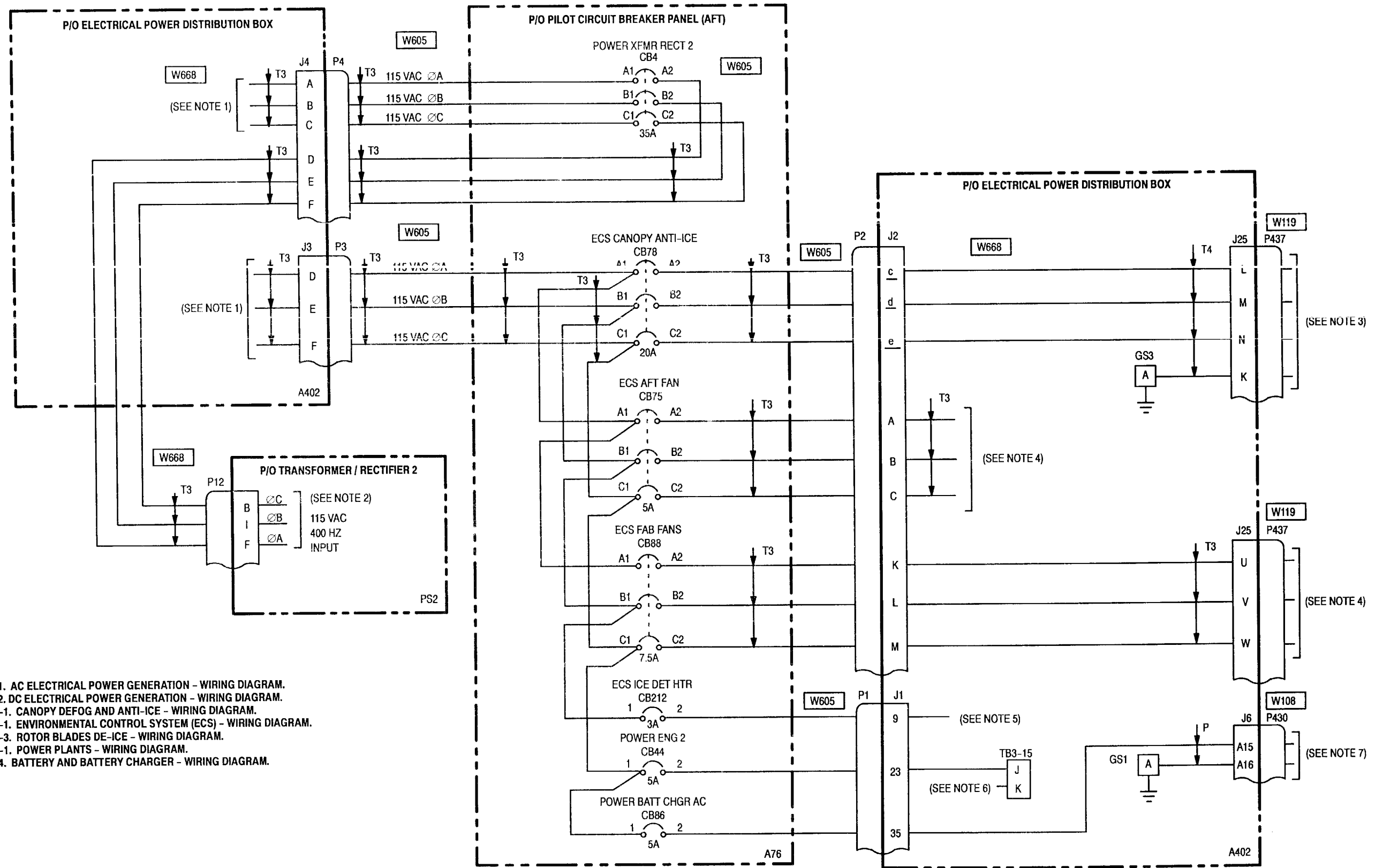
AFTER MWO 1-1520-238-50-29.

9-6. CIRCUIT PROTECTION (AC ESSENTIAL BUS 1 - CPG STATION) - WIRING DIAGRAM



- NOTES:
1. REFER TO PARAGRAPH 9-1. AC ELECTRICAL POWER GENERATION - WIRING DIAGRAM.
 2. REFER TO PARAGRAPH 24-1. TADS - WIRING DIAGRAM.
 3. REFER TO PARAGRAPH 17-1. IHADSS - WIRING DIAGRAM.
 4. REFER TO PARAGRAPH 20-5. RADAR ALTIMETER (RADALT) SET - WIRING DIAGRAM.
 5. REFER TO PARAGRAPH 4-1. AREA WEAPON SYSTEM (AWS) - WIRING DIAGRAM.
 6. REFER TO PARAGRAPH 19-1. MULTIPLEX - WIRING DIAGRAM.
 7. REFER TO PARAGRAPH 14-1. HELLFIRE MISSILE - WIRING DIAGRAM.

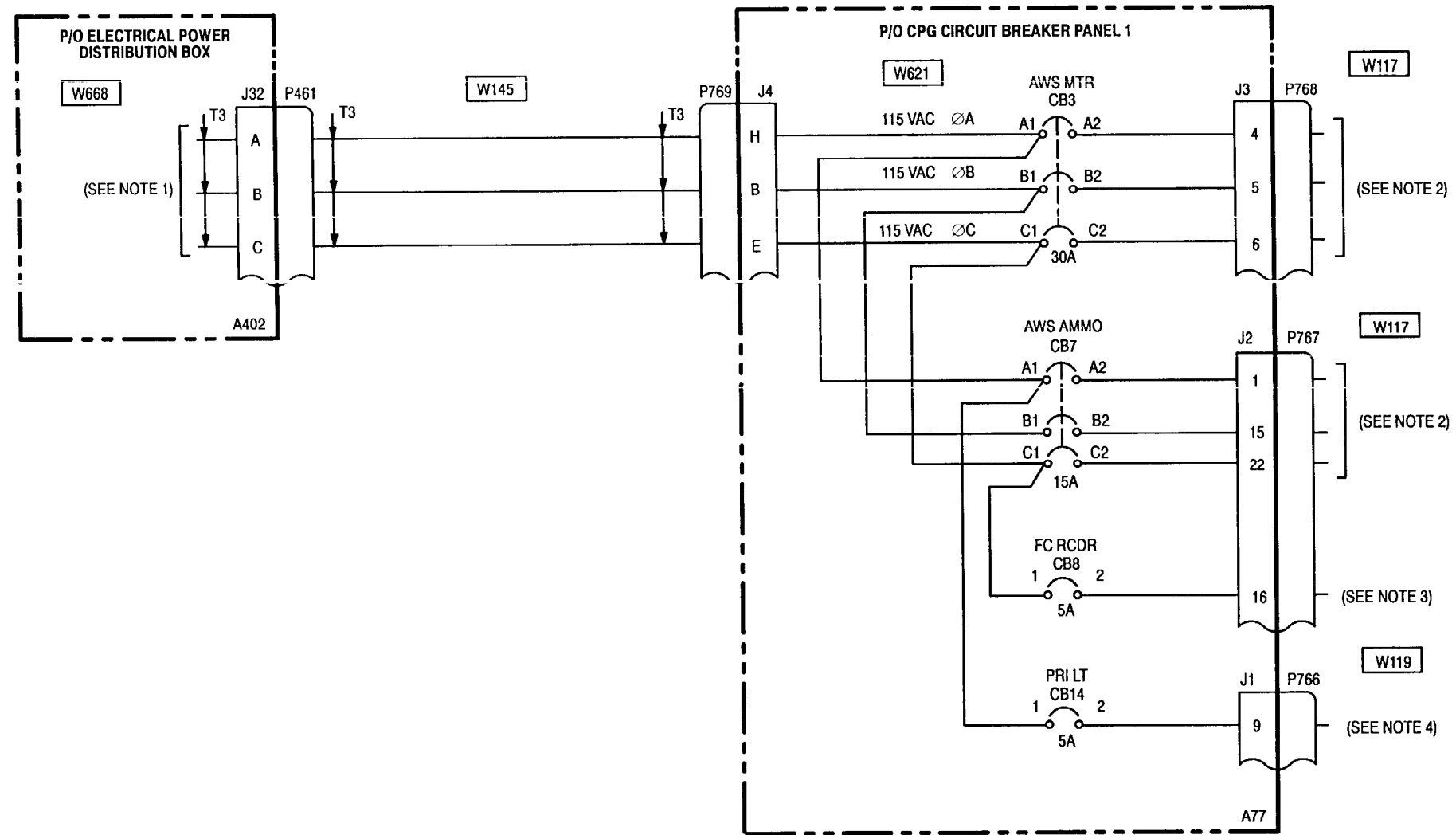
9-7. CIRCUIT PROTECTION (AC ESSENTIAL BUS 2 - PILOT STATION) - WIRING DIAGRAM



NOTES:

1. REFER TO PARAGRAPH 9-1. AC ELECTRICAL POWER GENERATION - WIRING DIAGRAM.
2. REFER TO PARAGRAPH 9-2. DC ELECTRICAL POWER GENERATION - WIRING DIAGRAM.
3. REFER TO PARAGRAPH 25-1. CANOPY DEFOG AND ANTI-ICE - WIRING DIAGRAM.
4. REFER TO PARAGRAPH 10-1. ENVIRONMENTAL CONTROL SYSTEM (ECS) - WIRING DIAGRAM.
5. REFER TO PARAGRAPH 25-3. ROTOR BLADES DE-ICE - WIRING DIAGRAM.
6. REFER TO PARAGRAPH 23-1. POWER PLANTS - WIRING DIAGRAM.
7. REFER TO PARAGRAPH 9-4. BATTERY AND BATTERY CHARGER - WIRING DIAGRAM.

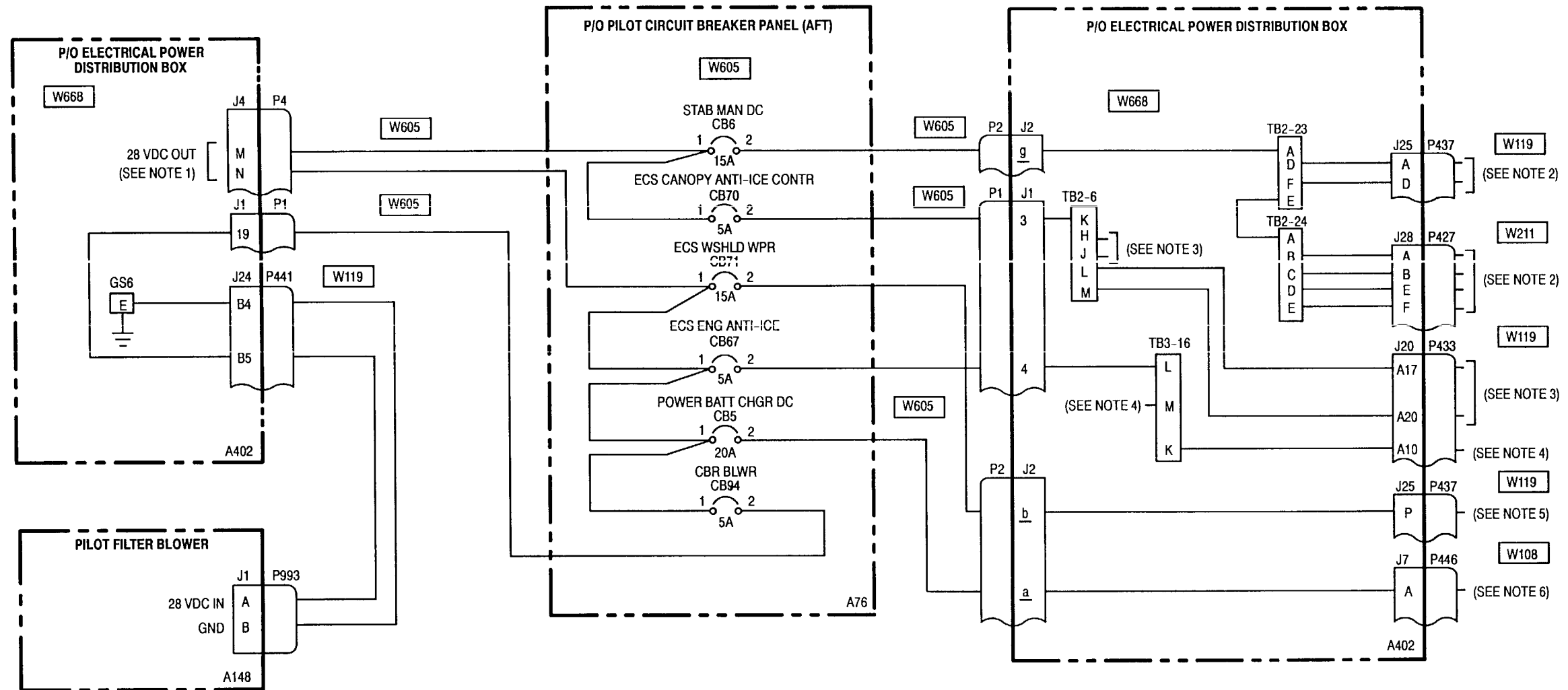
9-8. CIRCUIT PROTECTION (AC ESSENTIAL BUS 2 – CPG STATION) – WIRING DIAGRAM



NOTES:

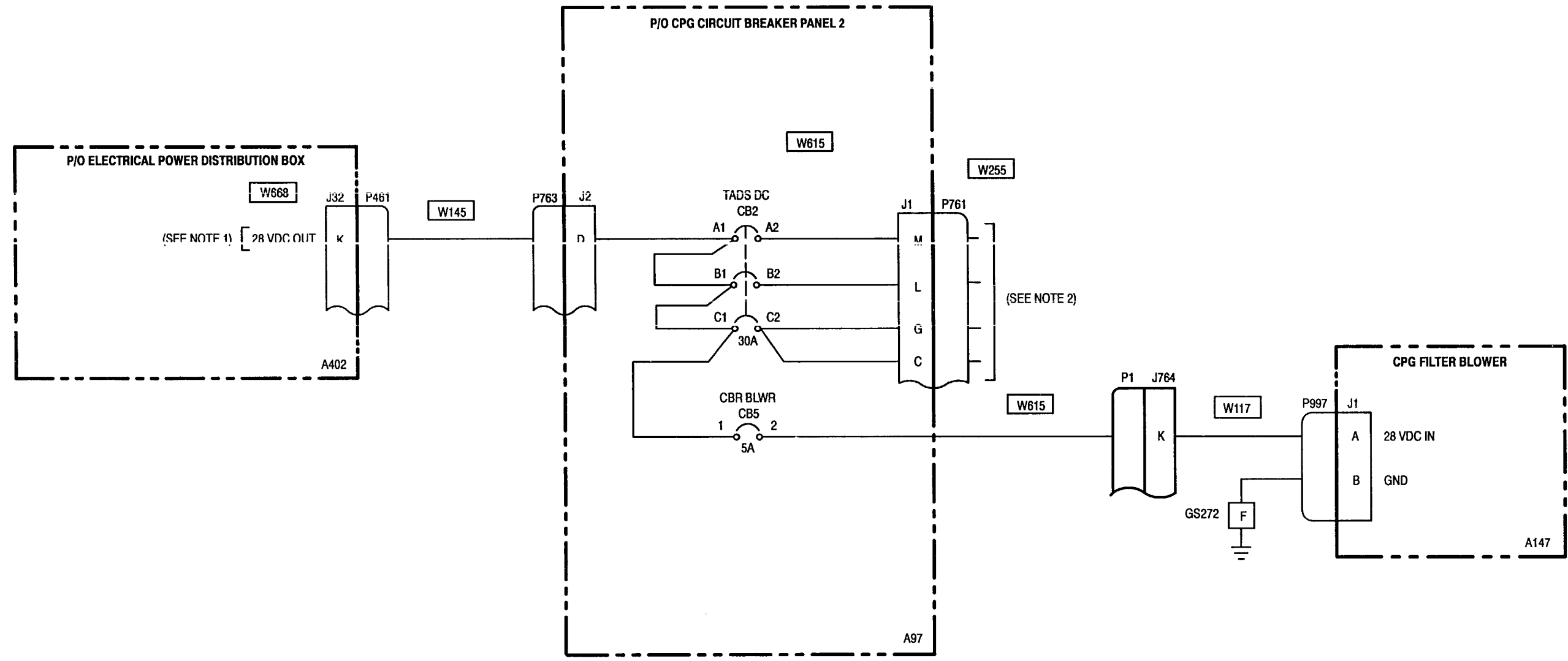
1. REFER TO PARAGRAPH 9-1. AC ELECTRICAL POWER GENERATION - WIRING DIAGRAM.
2. REFER TO PARAGRAPH 4-1. AREA WEAPON SYSTEM (AWS) - WIRING DIAGRAM.
3. REFER TO PARAGRAPH 26-2. VIDEO DISPLAY UNIT (VDU) AND VIDEO RECORDER - WIRING DIAGRAM.
4. REFER TO PARAGRAPH 9-19. EDGE LIGHTS - WIRING DIAGRAM.

9-9. CIRCUIT PROTECTION (DC ESSENTIAL BUS 1- PILOT STATION) - WIRING DIAGRAM



NOTES:

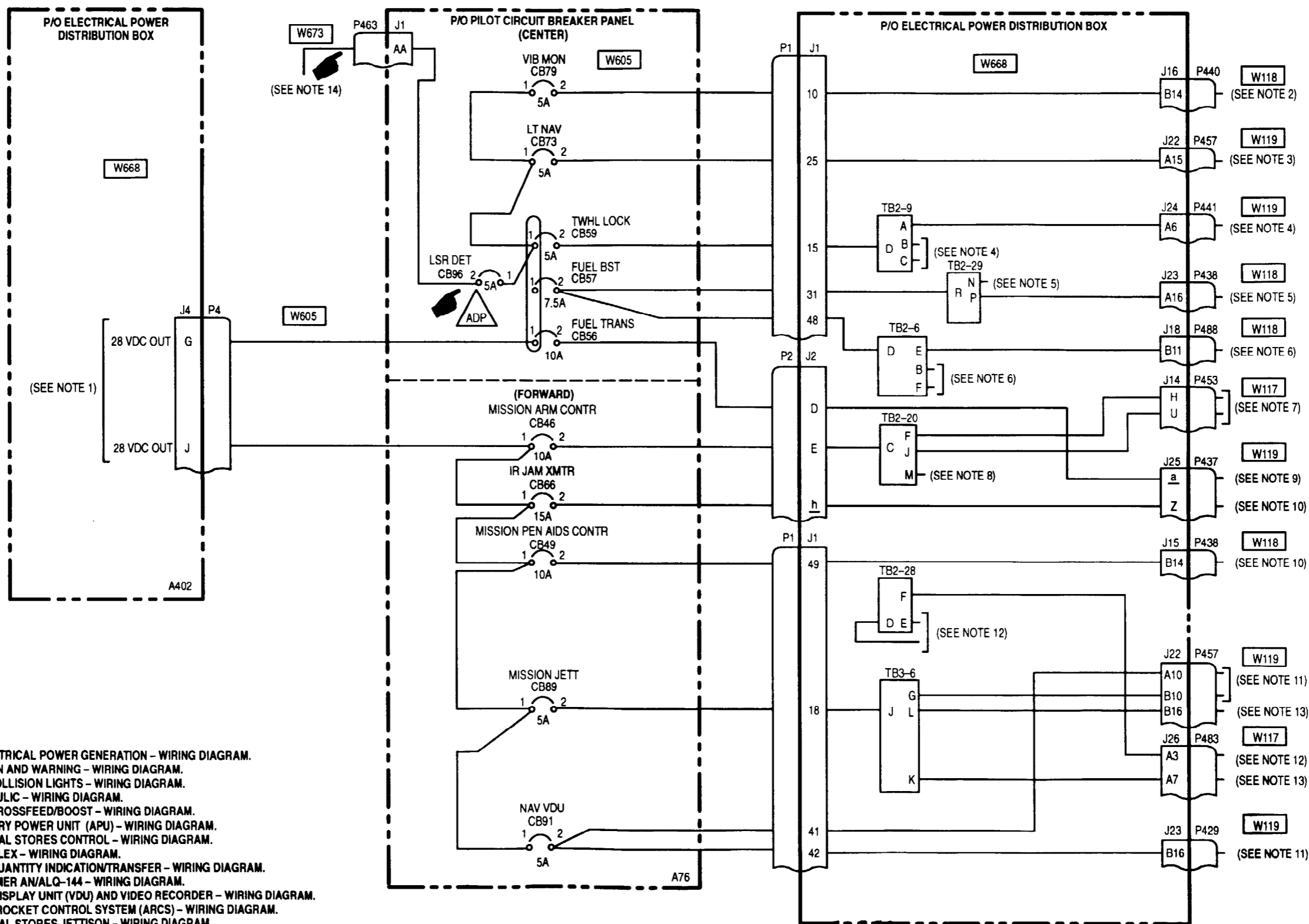
1. REFER TO PARAGRAPH 9-2. DC ELECTRICAL POWER GENERATION - WIRING DIAGRAM.
2. REFER TO PARAGRAPH 12-4. STABILATOR - WIRING DIAGRAM.
3. REFER TO PARAGRAPH 25-7. TADS/PNVS ANTI-ICE CONTROL - WIRING DIAGRAM.
4. REFER TO PARAGRAPH 25-2. ENGINE ANTI-ICE - WIRING DIAGRAM.
5. REFER TO PARAGRAPH 25-5. WINDSHIELD WIPERS - WIRING DIAGRAM.
6. REFER TO PARAGRAPH 9-4. BATTERY AND BATTERY CHARGER - WIRING DIAGRAM.



NOTES:

1. REFER TO PARAGRAPH 9-2. DC ELECTRICAL POWER GENERATION - WIRING DIAGRAM.
2. REFER TO PARAGRAPH 24-1. TADS - WIRING DIAGRAM.

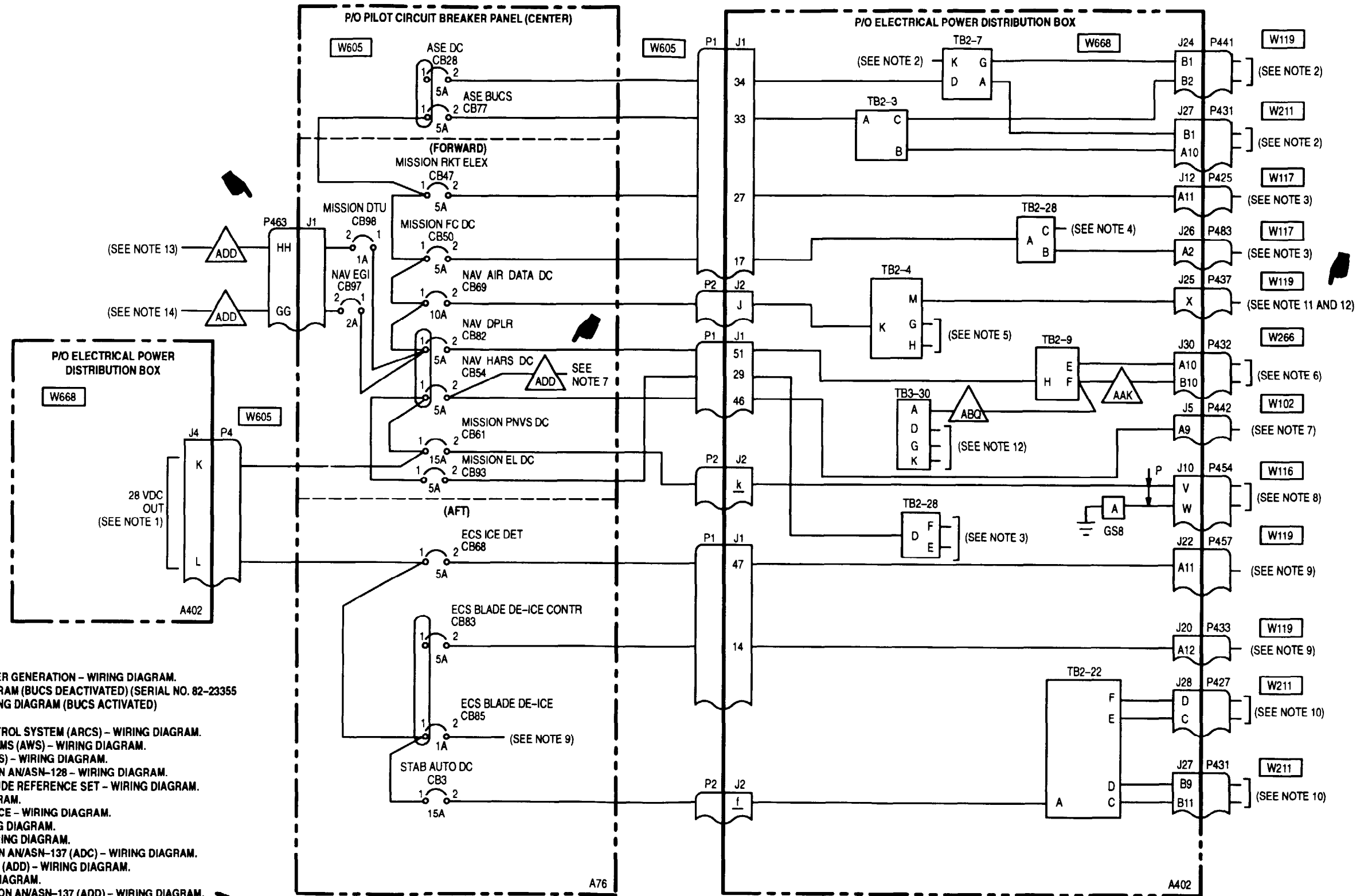
9-11. CIRCUIT PROTECTION (DC ESSENTIAL BUS 2 - PILOT STATION) -WIRING DIAGRAM



NOTES:

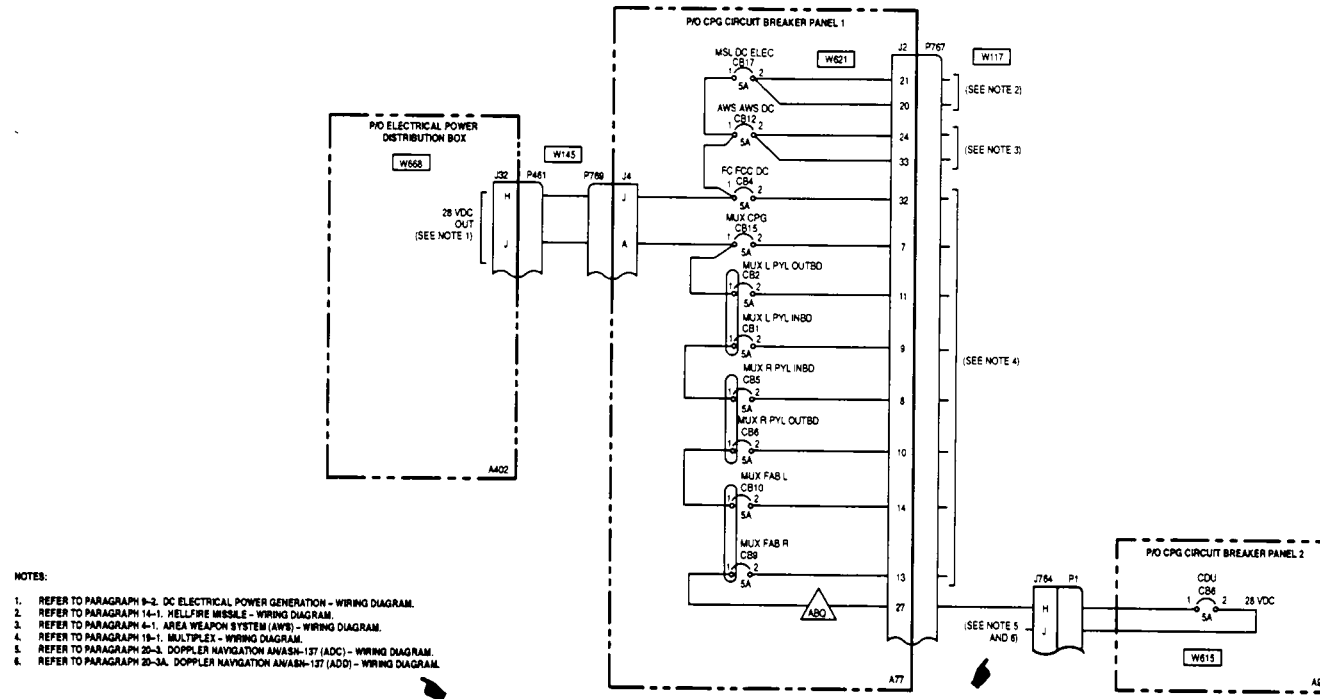
1. REFER TO PARAGRAPH 9-2. DC ELECTRICAL POWER GENERATION - WIRING DIAGRAM.
2. REFER TO PARAGRAPH 9-18. CAUTION AND WARNING - WIRING DIAGRAM.
3. REFER TO PARAGRAPH 9-22. ANTI-COLLISION LIGHTS - WIRING DIAGRAM.
4. REFER TO PARAGRAPH 15-1. HYDRAULIC - WIRING DIAGRAM.
5. REFER TO PARAGRAPH 13-2. FUEL CROSSFEED/BOOST - WIRING DIAGRAM.
6. REFER TO PARAGRAPH 5-1. AUXILIARY POWER UNIT (APU) - WIRING DIAGRAM.
7. REFER TO PARAGRAPH 11-1. EXTERNAL STORES CONTROL - WIRING DIAGRAM.
8. REFER TO PARAGRAPH 19-1. MULTIPLEX - WIRING DIAGRAM.
9. REFER TO PARAGRAPH 13-3. FUEL QUANTITY INDICATION/TRANSFER - WIRING DIAGRAM.
10. REFER TO PARAGRAPH 21-1. IR JAMMER AN/ALQ-144 - WIRING DIAGRAM.
11. REFER TO PARAGRAPH 26-2. VIDEO DISPLAY UNIT (VDU) AND VIDEO RECORDER - WIRING DIAGRAM.
12. REFER TO PARAGRAPH 3-1. AERIAL ROCKET CONTROL SYSTEM (ARCS) - WIRING DIAGRAM.
13. REFER TO PARAGRAPH 11-2. EXTERNAL STORES JETTISON - WIRING DIAGRAM.
14. REFER TO PARAGRAPH 21-4. LASER DETECTING SET AN/AVR-2A(V)1 - WIRING DIAGRAM

9-12. CIRCUIT PROTECTION (DC ESSENTIAL BUS 3 - PILOT STATION) - WIRING DIAGRAM

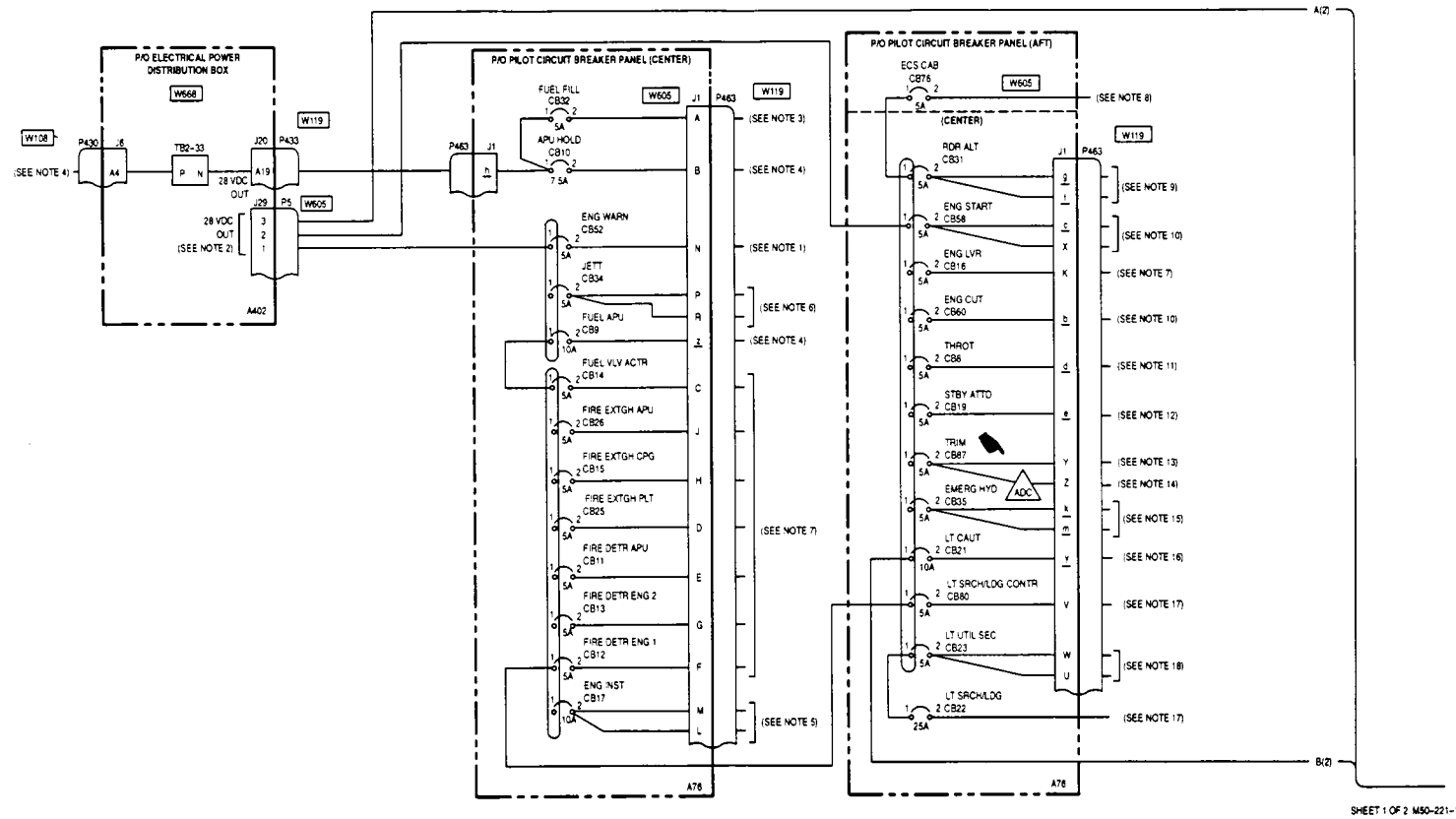


- NOTES:
1. REFER TO PARAGRAPH 9-2. DC ELECTRICAL POWER GENERATION - WIRING DIAGRAM.
 2. REFER TO PARAGRAPH 12-1. DASE - WIRING DIAGRAM (BUCS DEACTIVATED) (SERIAL NO. 82-23355 THRU 88-0199) OR PARAGRAPH 12-2. DASE - WIRING DIAGRAM (BUCS ACTIVATED) (SERIAL NO. 88-0200 AND SUBSEQUENT).
 3. REFER TO PARAGRAPH 3-1. AERIAL ROCKET CONTROL SYSTEM (ARCS) - WIRING DIAGRAM.
 4. REFER TO PARAGRAPH 4-1. AREA WEAPON SYSTEMS (AWS) - WIRING DIAGRAM.
 5. REFER TO PARAGRAPH 2-1. AIR DATA SYSTEM (ADS) - WIRING DIAGRAM.
 6. REFER TO PARAGRAPH 20-2. DOPPLER NAVIGATION AN/ASN-128 - WIRING DIAGRAM.
 7. REFER TO PARAGRAPH 20-4. HEADING AND ATTITUDE REFERENCE SET - WIRING DIAGRAM.
 8. REFER TO PARAGRAPH 22-1. PNVs - WIRING DIAGRAM.
 9. REFER TO PARAGRAPH 25-3. ROTOR BLADES DE-ICE - WIRING DIAGRAM.
 10. REFER TO PARAGRAPH 12-4. STABILATOR - WIRING DIAGRAM.
 11. REFER TO PARAGRAPH 25-4. PITOT ANTI-ICE - WIRING DIAGRAM.
 12. REFER TO PARAGRAPH 20-3. DOPPLER NAVIGATION AN/ASN-137 (ADC) - WIRING DIAGRAM.
 13. REFER TO PARAGRAPH 20-7. DATA TERMINAL UNIT (ADD) - WIRING DIAGRAM.
 14. REFER TO PARAGRAPH 20-8. EGI (ADD) - WIRING DIAGRAM.
 15. REFER TO PARAGRAPH 20-3A. DOPPLER NAVIGATION AN/ASN-137 (ADD) - WIRING DIAGRAM.

9-13. CIRCUIT PROTECTION (DC ESSENTIAL BUS 3 - CPG STATION) - WIRING DIAGRAM

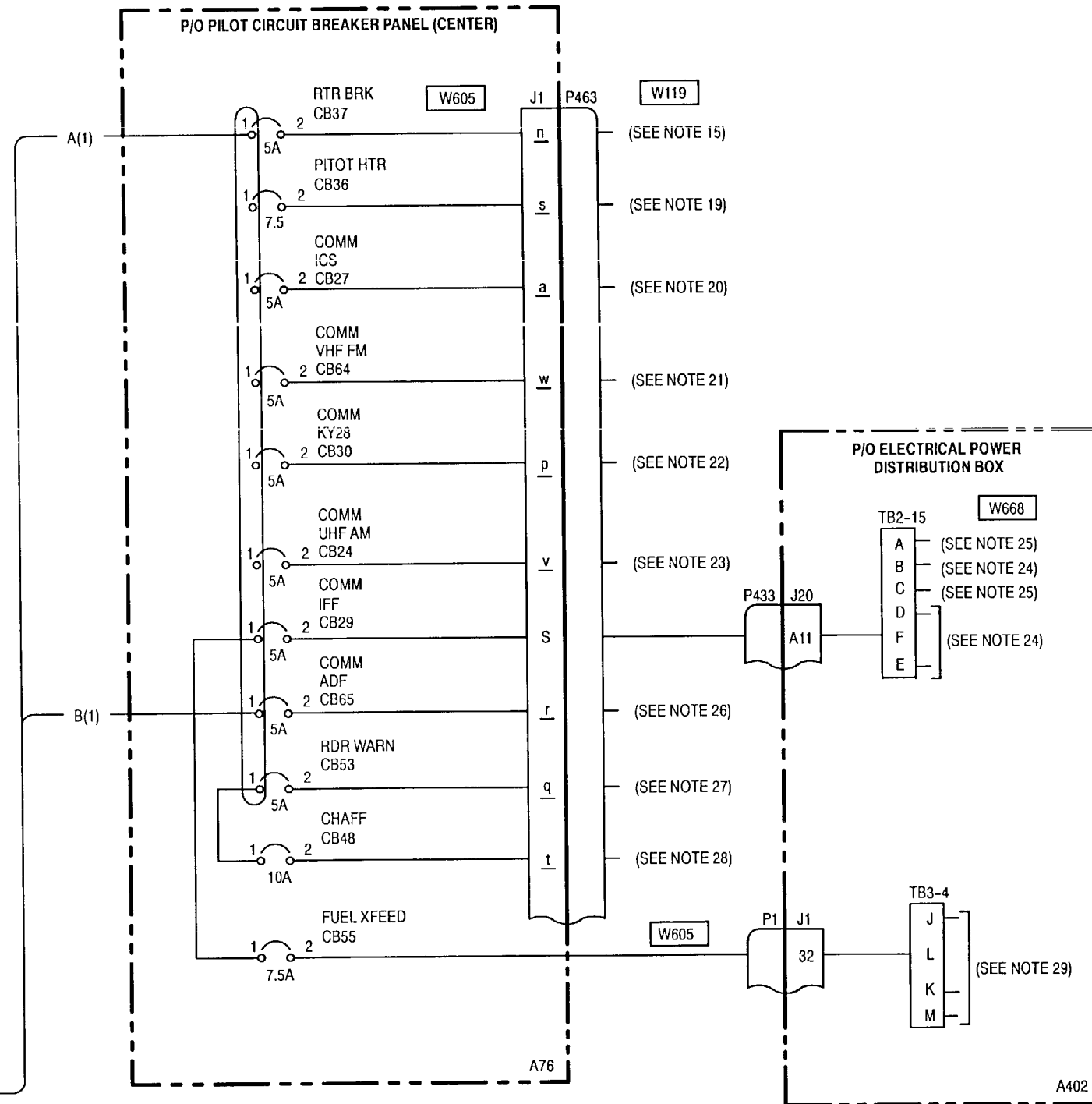


9-14. CIRCUIT PROTECTION (DC EMERGENCY BUS - PILOT STATION)- WIRING DIAGRAM



SHEET 1 OF 2 M50-221-1B

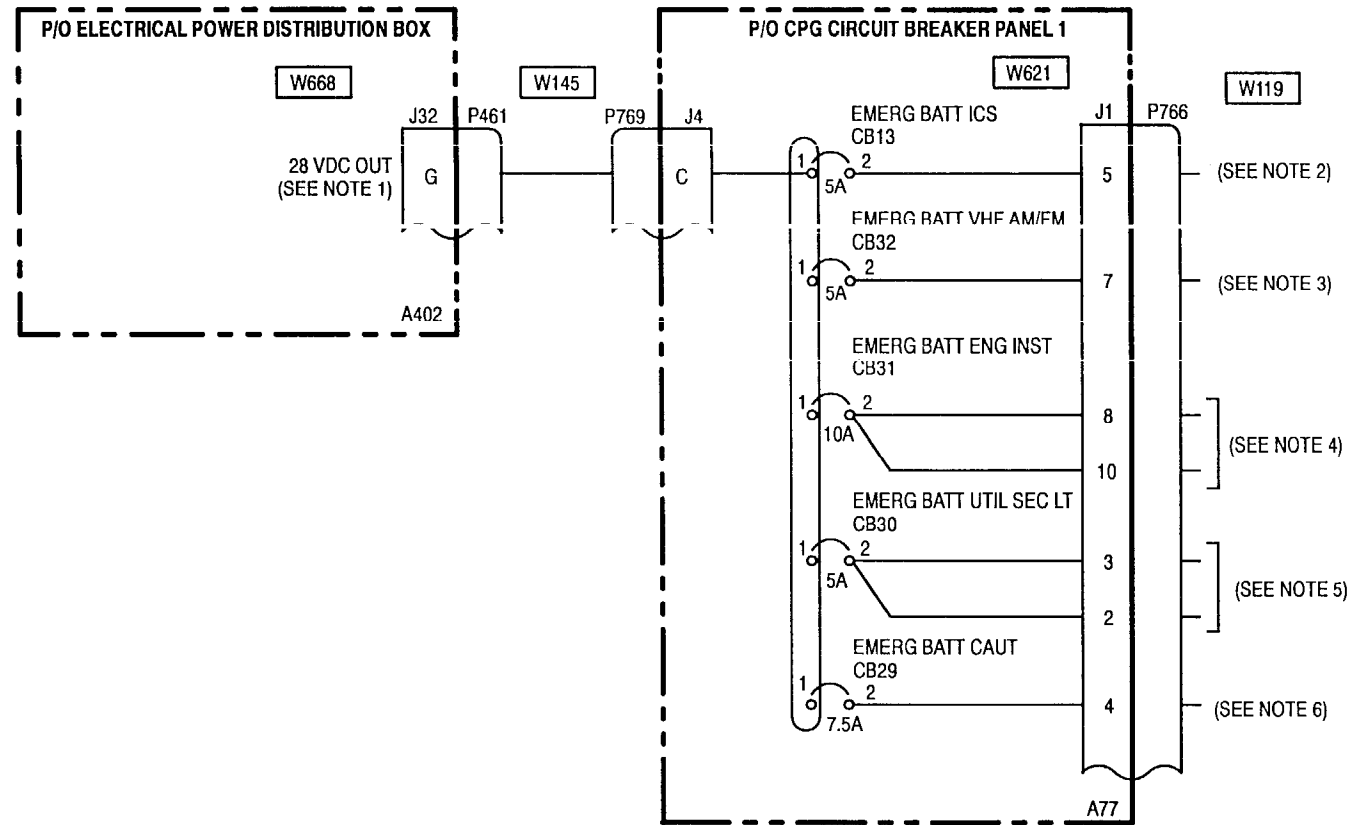
9-14. CIRCUIT Protection (DC EMERGENCY BUS- PILOTSTATION) -WIRING DIAGRAM (cont)



NOTES:

1. REFER TO PARAGRAPH 9-27. AUDIO WARNING - WIRING DIAGRAM.
2. REFER TO PARAGRAPH 9-2. DC ELECTRICAL POWER GENERATION - WIRING DIAGRAM.
3. REFER TO PARAGRAPH 13-4. PRESSURE REFUELING/DEFUELING - WIRING DIAGRAM.
4. REFER TO PARAGRAPH 5-1. AUXILIARY POWER UNIT (APU) - WIRING DIAGRAM.
5. REFER TO PARAGRAPH 18-1. ENGINE INSTRUMENTS - WIRING DIAGRAM.
6. REFER TO PARAGRAPH 11-2. EXTERNAL STORES JETTISON - WIRING DIAGRAM.
7. REFER TO PARAGRAPH 25-6. FIRE DETECTION AND EXTINGUISHING - WIRING DIAGRAM.
8. REFER TO PARA 10-1. ENVIRONMENTAL CONTROL SYSTEM (ECS) - WIRING DIAGRAM.
9. REFER TO PARAGRAPH 20-5. RADAR ALTIMETER (RADALT) SET - WIRING DIAGRAM.
10. REFER TO PARAGRAPH 8-1. DRIVE SYSTEM - WIRING DIAGRAM.
11. REFER TO PARAGRAPH 23-1. POWER PLANTS - WIRING DIAGRAM.
12. REFER TO PARAGRAPH 9-19. EDGE LIGHTS - WIRING DIAGRAM.
13. REFER TO PARAGRAPH 12-3. FORCE TRIM - WIRING DIAGRAM.
14. REFER TO PARAGRAPH 20-4. HEADING AND ATTITUDE REFERENCE SET (HARS) - WIRING DIAGRAM.
15. REFER TO PARAGRAPH 15-1. HYDRAULIC - WIRING DIAGRAM.
16. REFER TO PARAGRAPH 9-18. CAUTION AND WARNING - WIRING DIAGRAM.
17. REFER TO PARAGRAPH 9-24. LANDING/SEARCH LIGHT - WIRING DIAGRAM.
18. REFER TO PARAGRAPH 9-21. PILOT UTILITY AND SECONDARY LIGHTS - WIRING DIAGRAM.
19. REFER TO PARAGRAPH 25-4. PITOT ANTI-ICE - WIRING DIAGRAM.
20. REFER TO PARAGRAPH 6-1. INTERCOMMUNICATION - WIRING DIAGRAM.
21. REFER TO PARAGRAPH 6-4. VHF AM-FM RADIO SET - WIRING DIAGRAM.
22. REFER TO PARAGRAPH 6-2. TSEC/KY-58 COMMUNICATIONS SECURITY EQUIPMENT - WIRING DIAGRAM.
23. REFER TO PARAGRAPH 6-3. UHF-AM RADIO SET - WIRING DIAGRAM.
24. REFER TO PARAGRAPH 4-1. AREA WEAPON SYSTEM (AWS) - WIRING DIAGRAM.
25. REFER TO PARAGRAPH 16-1. IFF - WIRING DIAGRAM.
26. REFER TO PARAGRAPH 20-1. AUTOMATIC DIRECTION FINDER (ADF) AN/ARN-89 - WIRING DIAGRAM.
27. REFER TO PARAGRAPH 21-3. RADAR WARNING SET AN/APR-39(V)1 - WIRING DIAGRAM.
28. REFER TO PARAGRAPH 7-1. CHAFF DISPENSER - WIRING DIAGRAM.
29. REFER TO PARAGRAPH 13-2. FUEL CROSSFEED/BOOST - WIRING DIAGRAM.

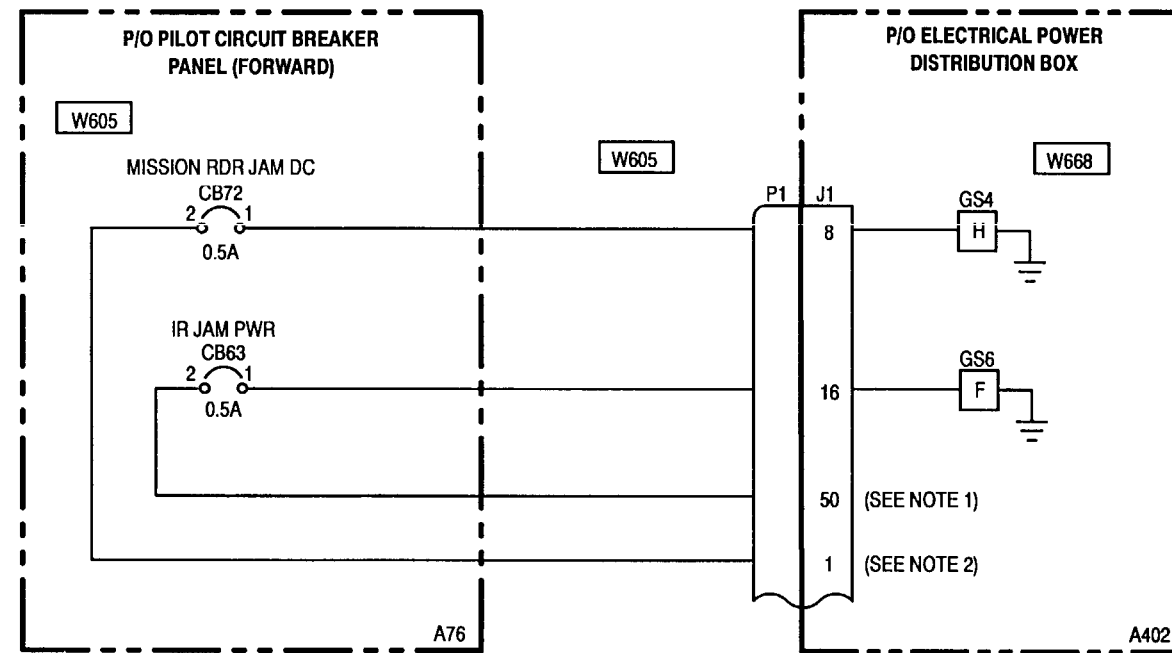
9-15. CIRCUIT PROTECTION (DC EMERGENCY BUS - CPG STATION) - WIRING DIAGRAM



NOTES:

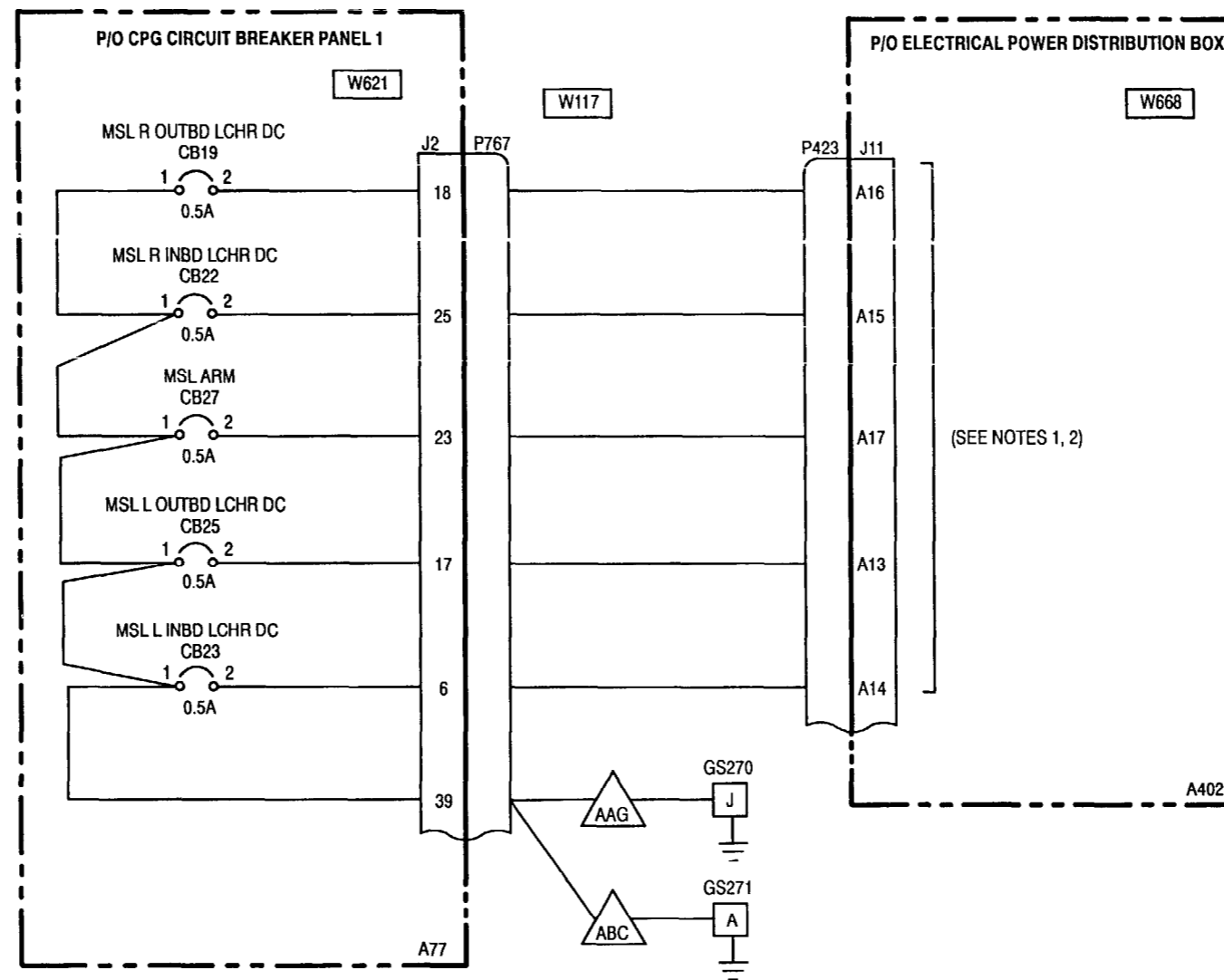
1. REFER TO PARAGRAPH 9-2. DC ELECTRICAL POWER GENERATION - WIRING DIAGRAM.
2. REFER TO PARAGRAPH 6-1. INTERCOMMUNICATION - WIRING DIAGRAM.
3. REFER TO PARAGRAPH 6-4. VHF AM-FM RADIO SET - WIRING DIAGRAM.
4. REFER TO PARAGRAPH 18-1. ENGINE INSTRUMENTS - WIRING DIAGRAM.
5. REFER TO PARAGRAPH 9-20. CPG UTILITY AND SECONDARY LIGHTS - WIRING DIAGRAM.
6. REFER TO PARAGRAPH 9-18. CAUTION AND WARNING - WIRING DIAGRAM.

9-16. CIRCUIT PROTECTION (DC GROUND CIRCUIT BREAKERS - PILOT STATION) - WIRING DIAGRAM



NOTES:

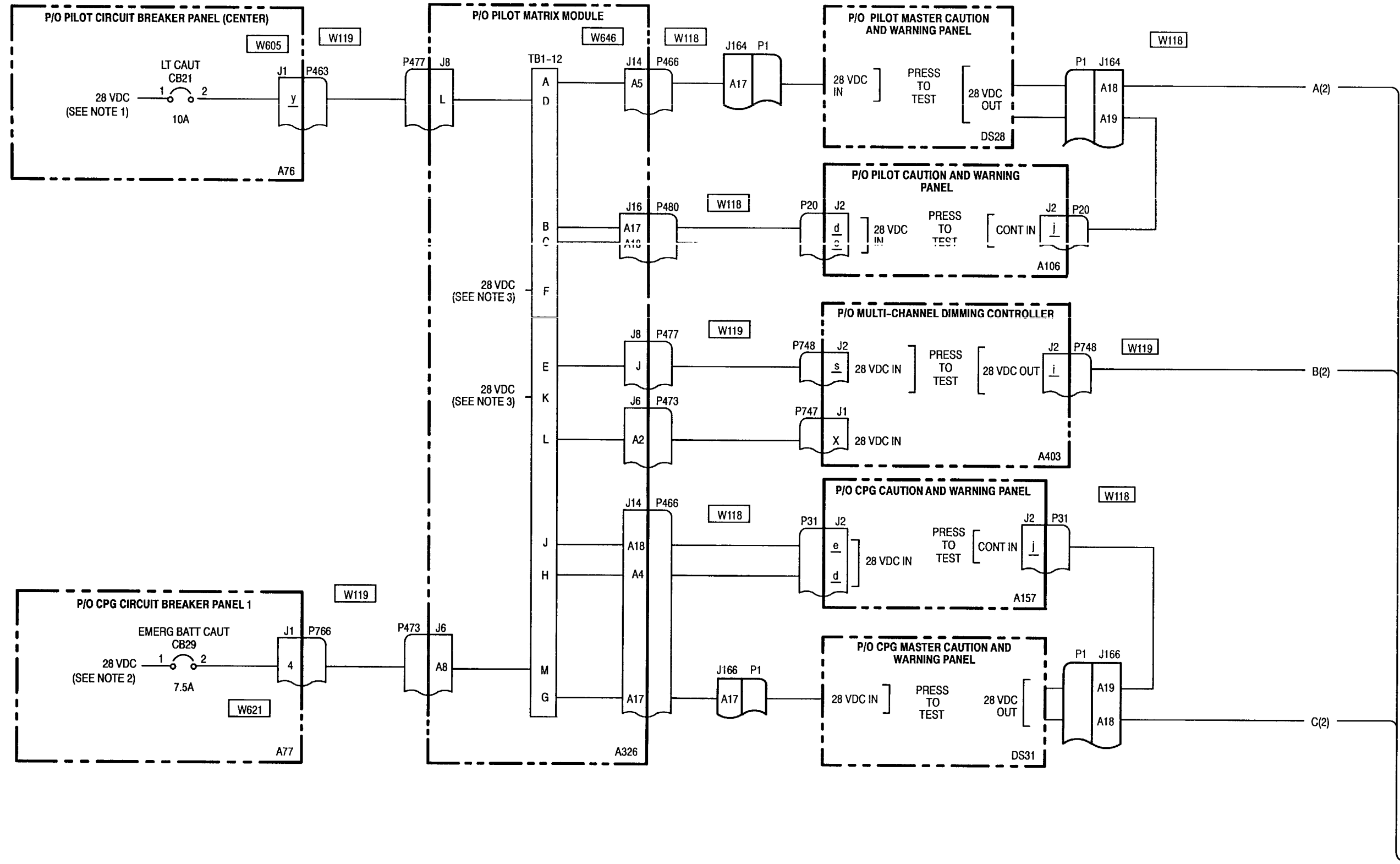
1. REFER TO PARAGRAPH 21-1. IR JAMMER AN/ALQ-144 - WIRING DIAGRAM.
2. REFER TO PARAGRAPH 21-2. RADAR JAMMER AN/ALQ-136 - WIRING DIAGRAM.



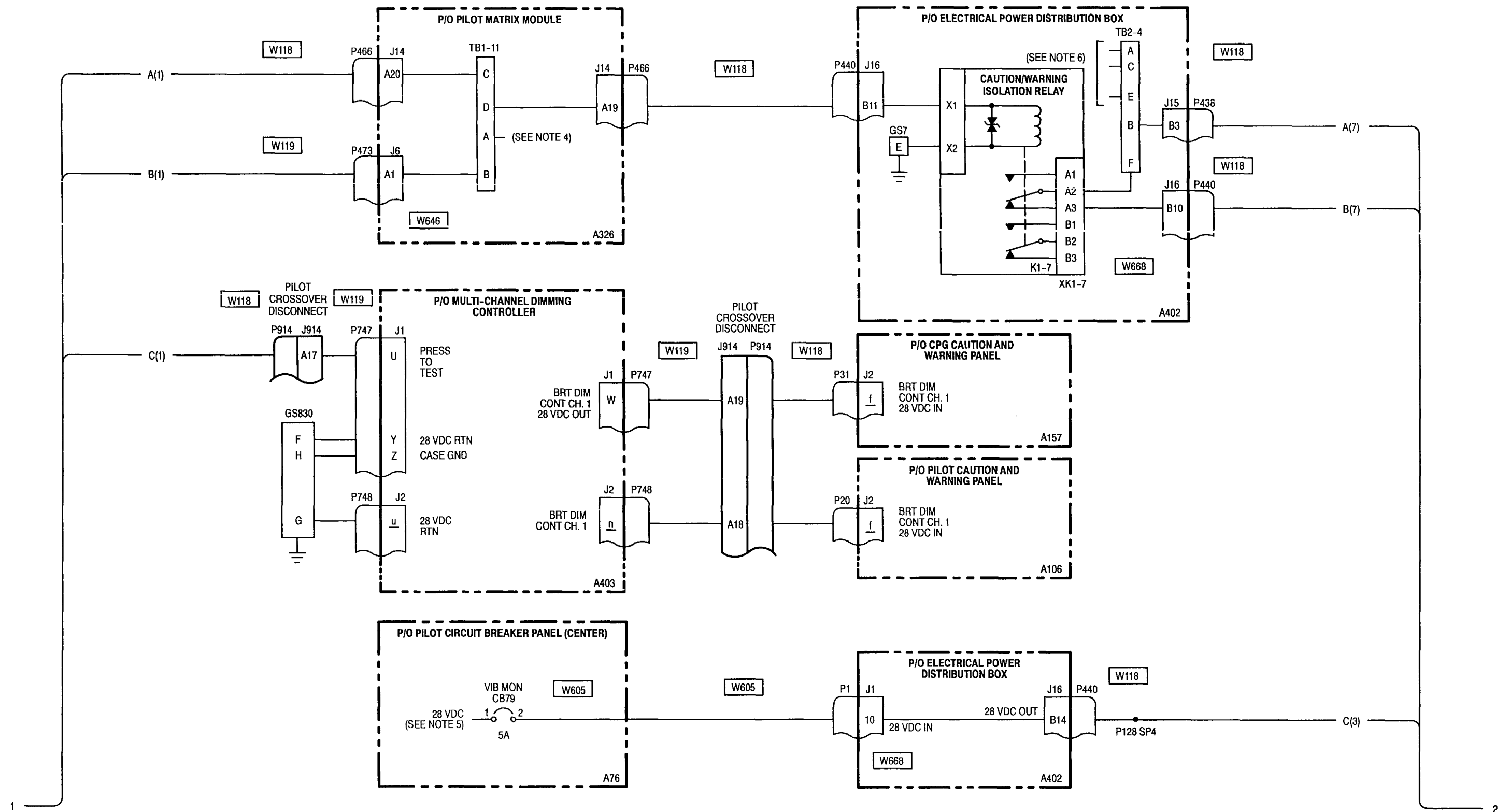
NOTES:

1. REFER TO PARAGRAPH 14-1. HELLFIRE MISSILE - WIRING DIAGRAM.
2. CIRCUIT BREAKER PROVIDES A GROUND PATH FOR REMOTE CONTROL CIRCUIT BREAKER (RCCB) IN HELLFIRE MISSILE AND OPEN ONLY WHEN AN OVERLOADED CONDITION EXISTS.

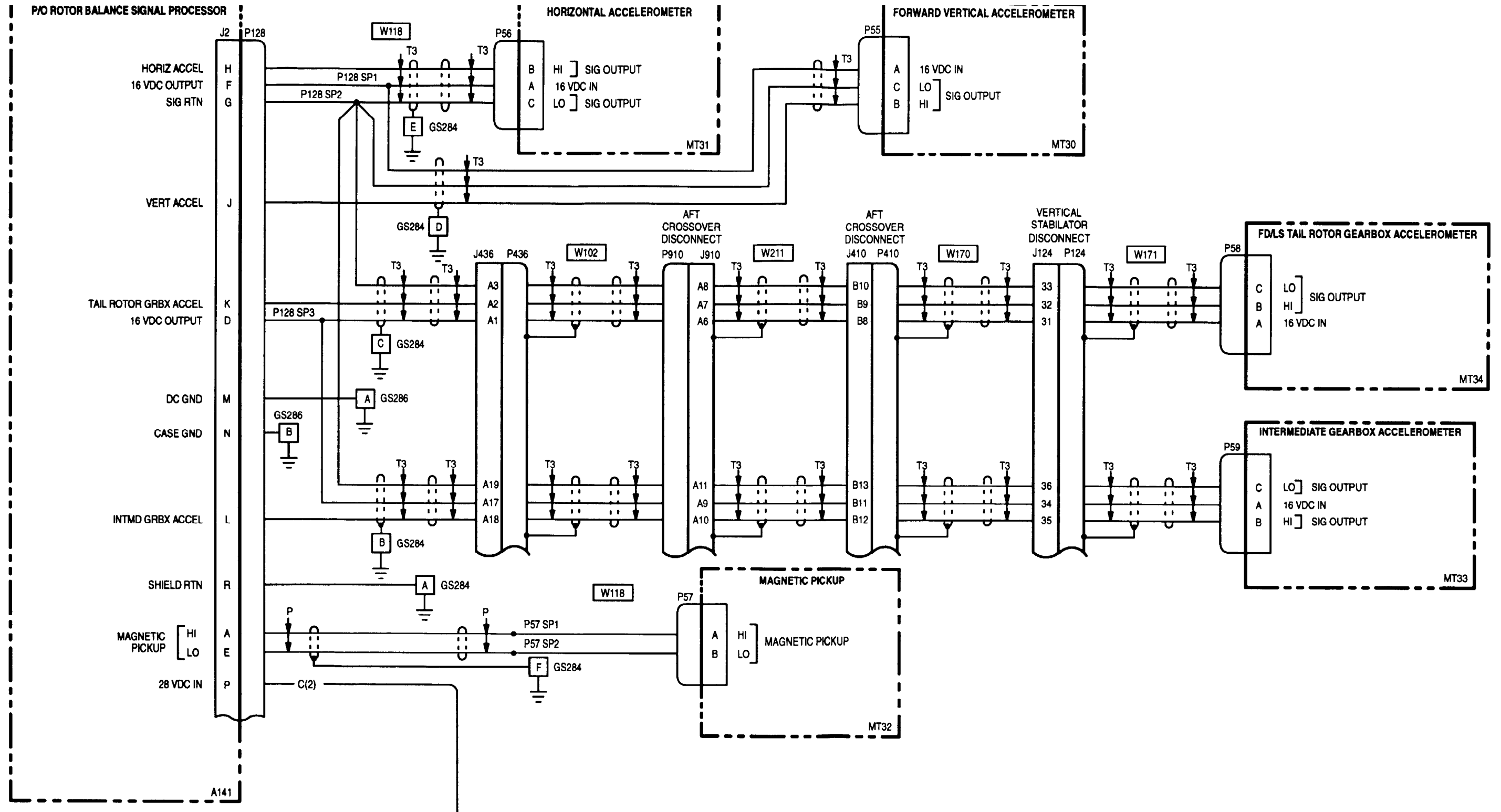
9-18. CAUTION AND WARNING - WIRING DIAGRAM



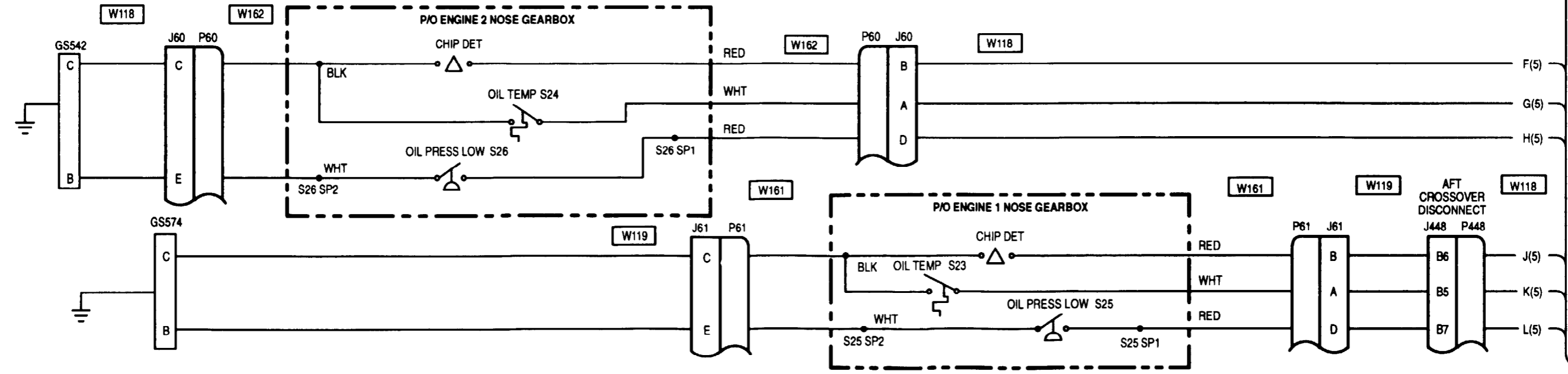
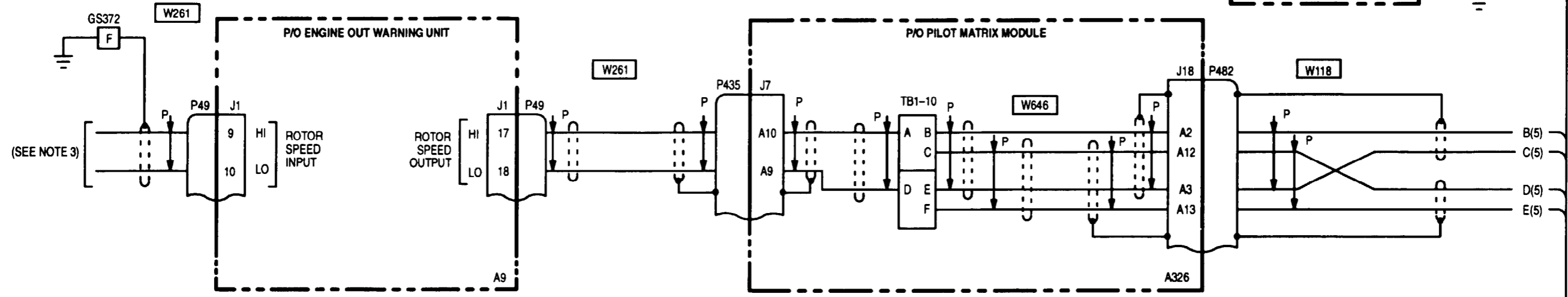
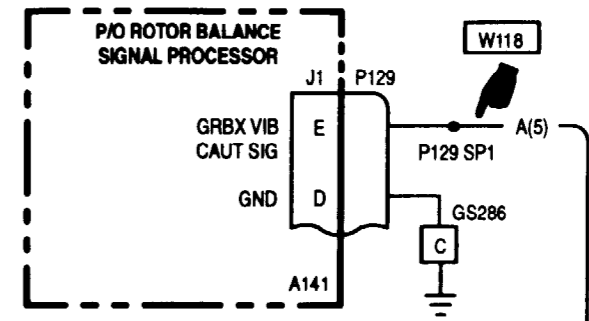
9-18. CAUTION AND WARNING -WIRING DIAGRAM (cont)



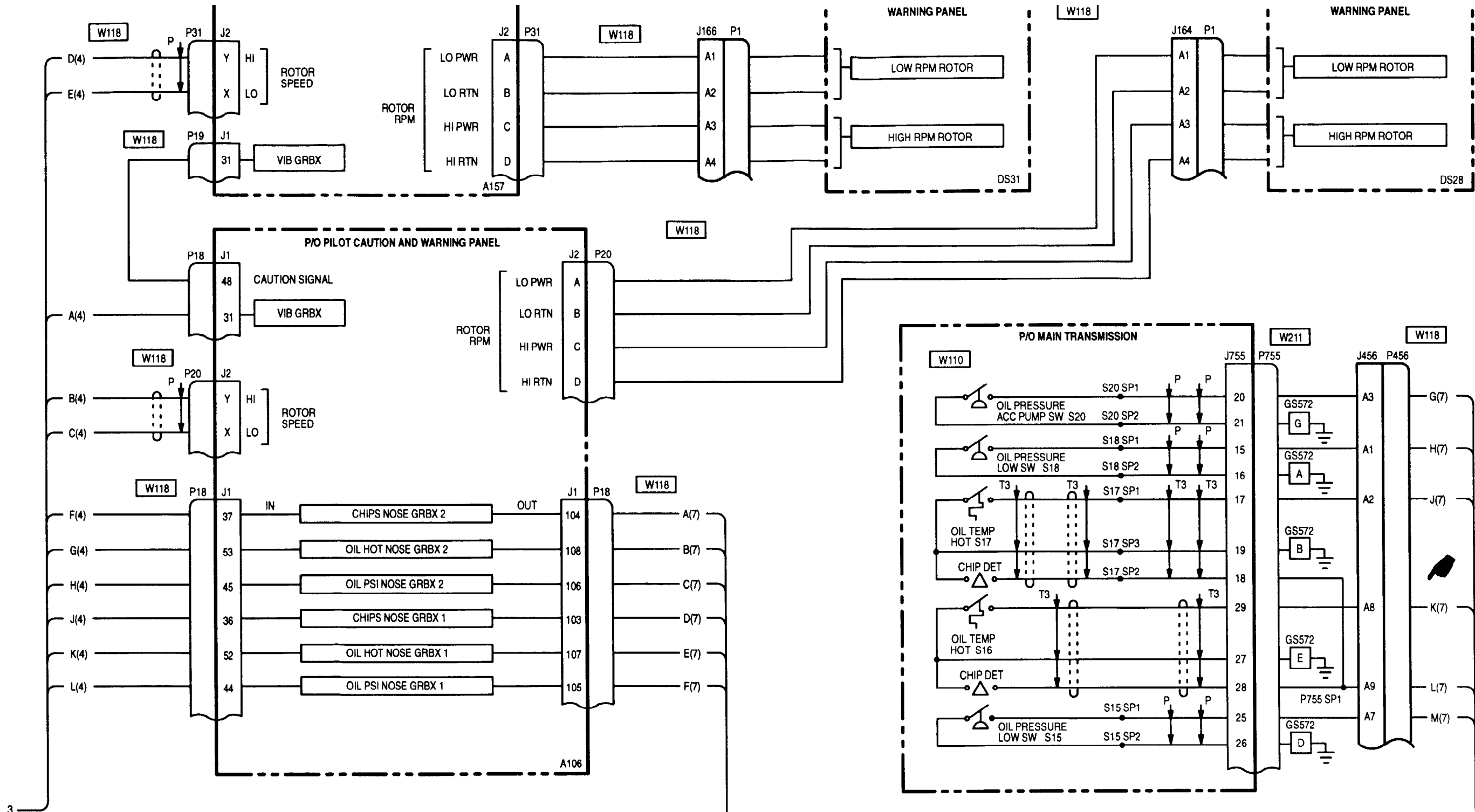
9-18. CAUTION AND WARNING - WIRING DIAGRAM (cont)



9-18. CAUTION AND WARNING -WIRING DIAGRAM (cont)

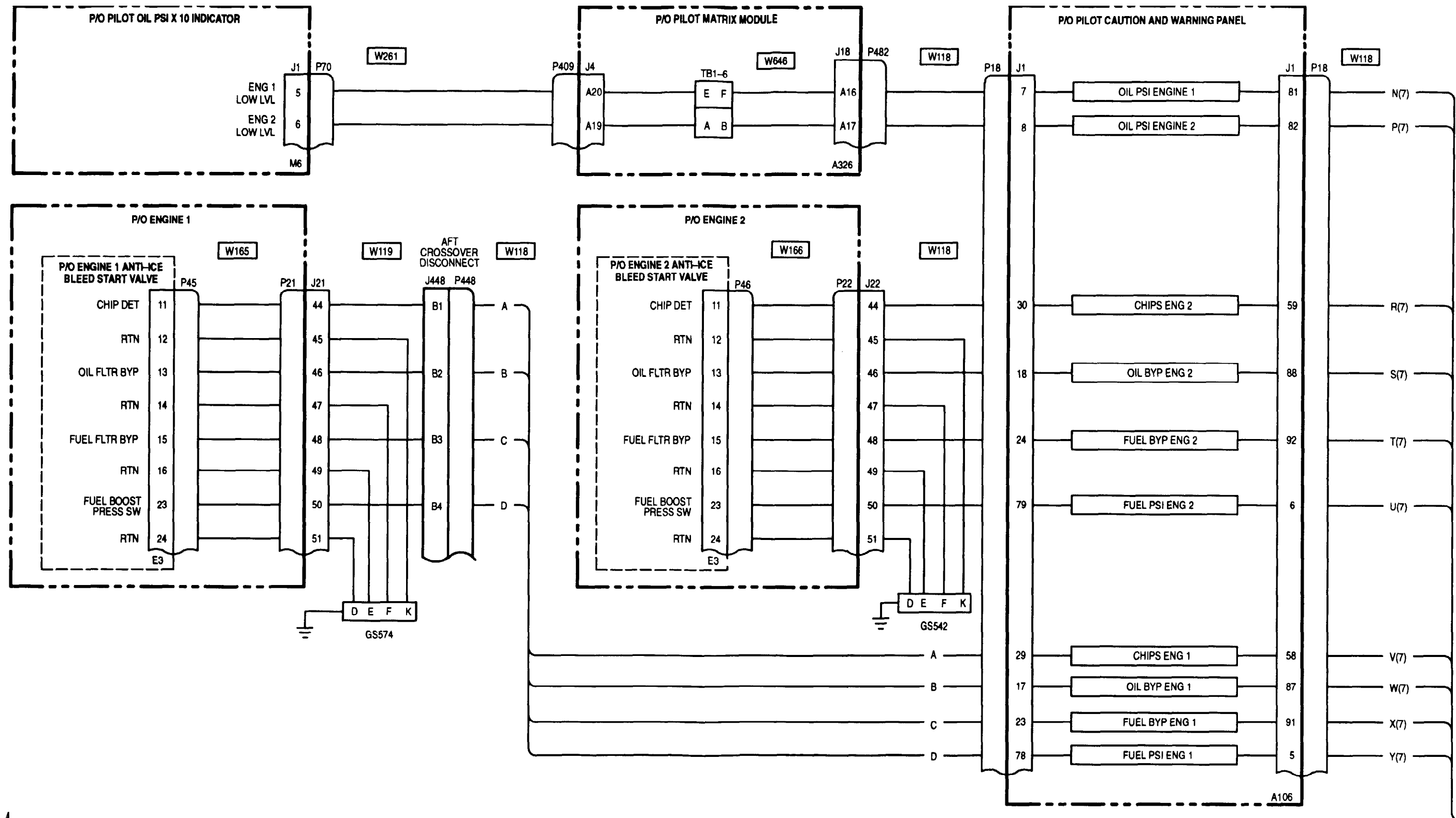


9-8. CAUTION AND WARNING - WIRING DIAGRAM (cont)



3

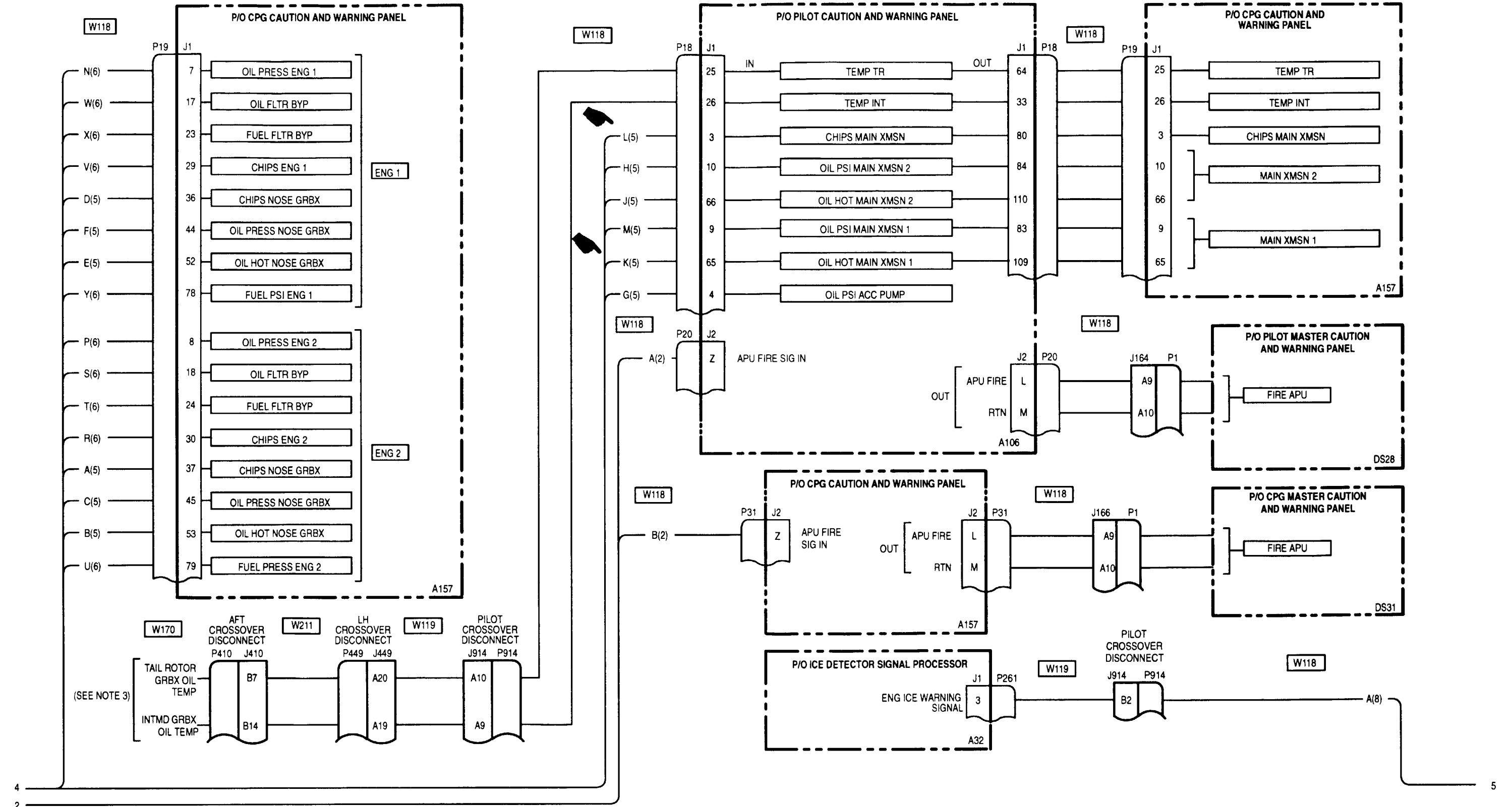
9-18. CAUTION AND WARNING -WIRING DIAGRAM (cont)



4
2

4
2

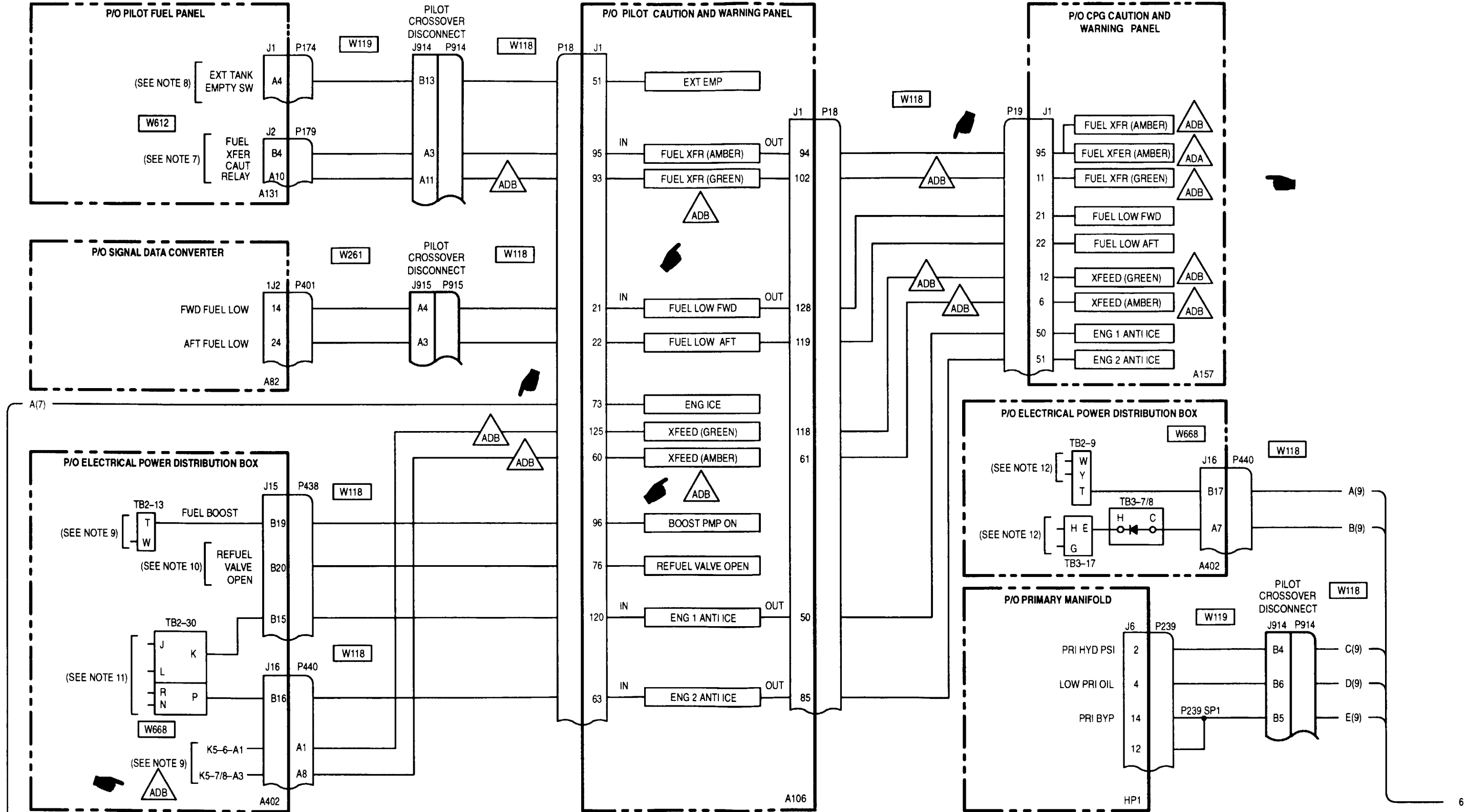
9-18. CAUTION AND WARNING - WIRING DIAGRAM (cont)



4
2

5

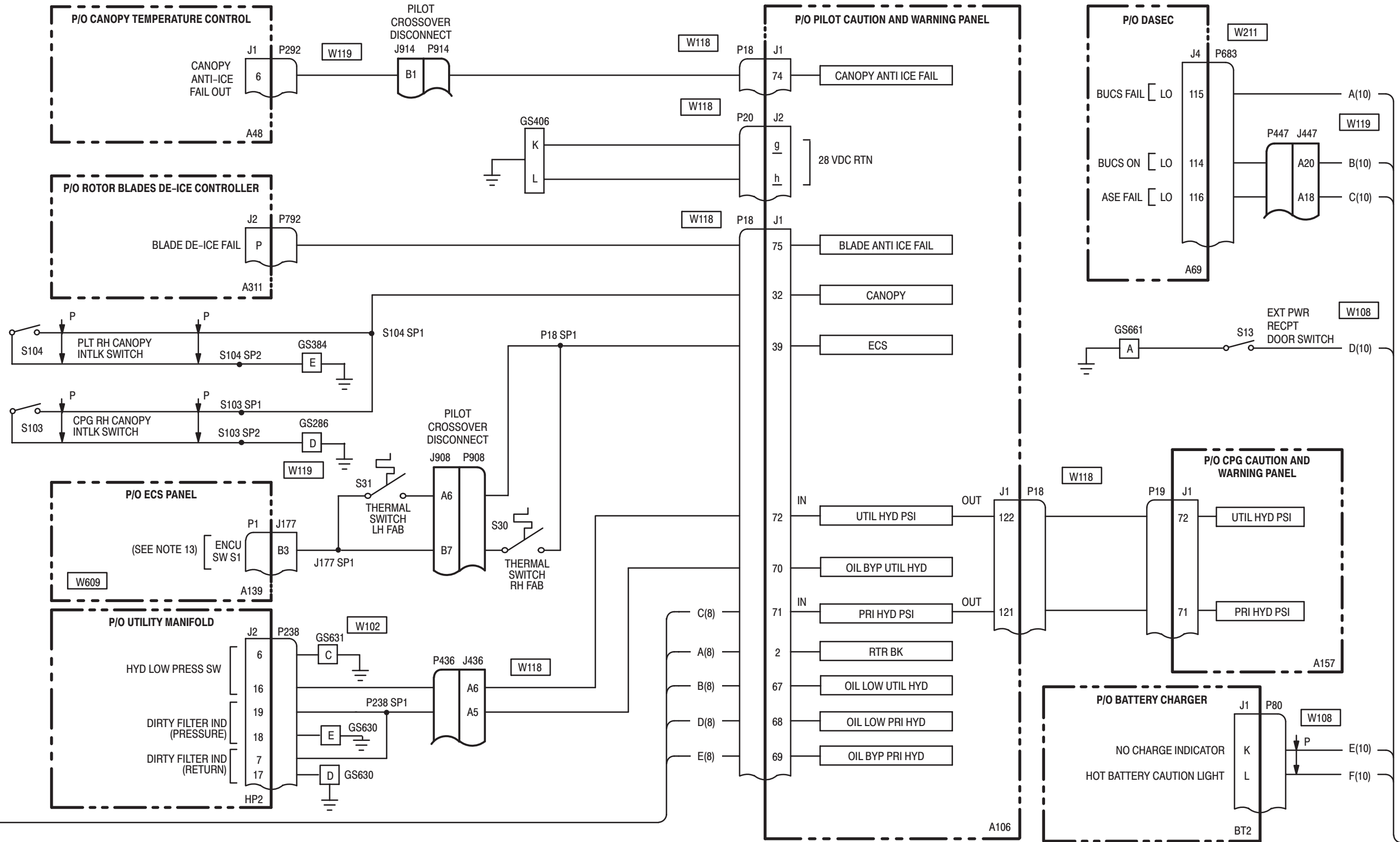
9-18. CAUTION AND WARNING - WIRING DIAGRAM (cont)



5

6

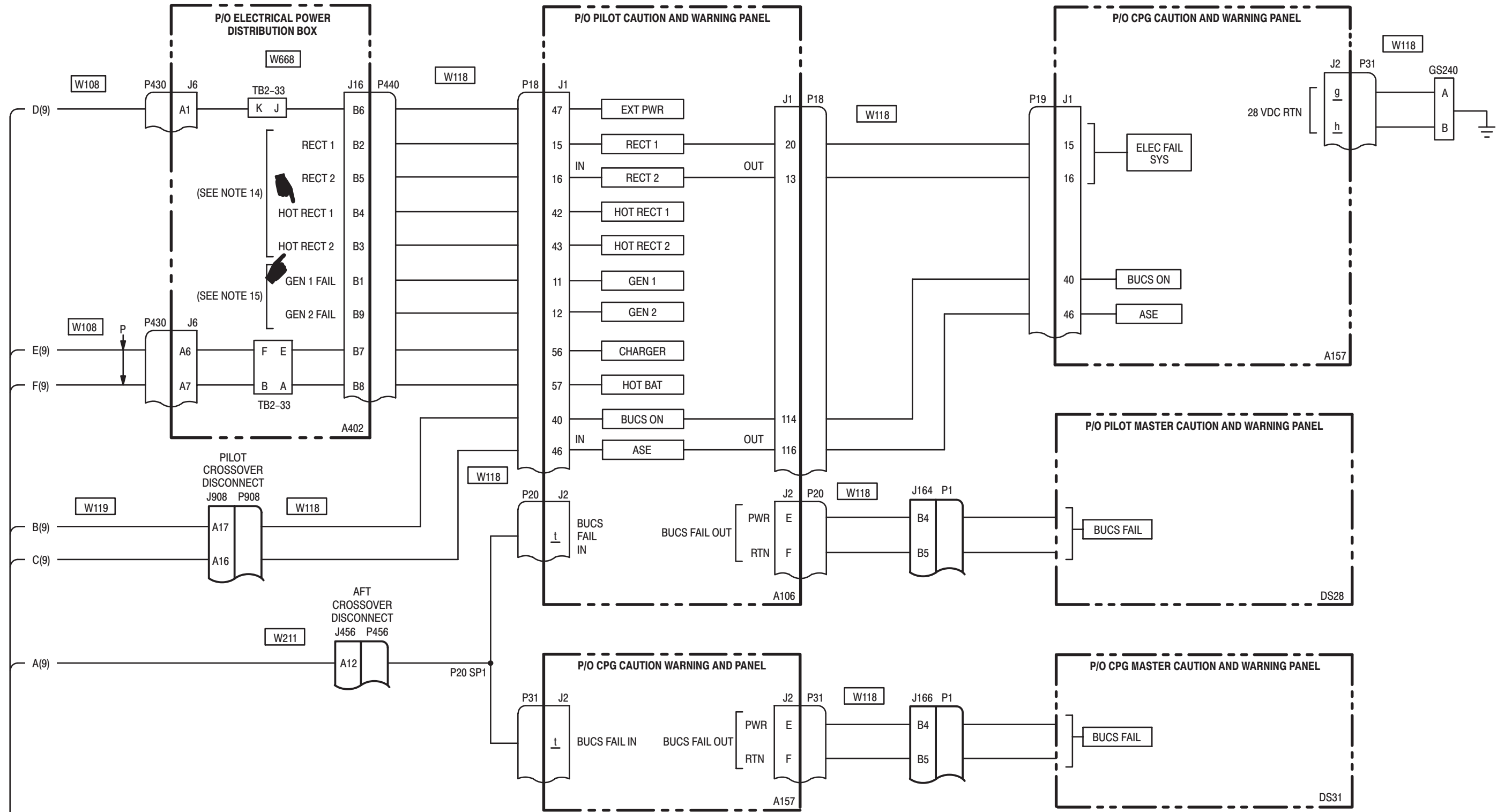
9-18. CAUTION AND WARNING - WIRING DIAGRAM (cont)



6

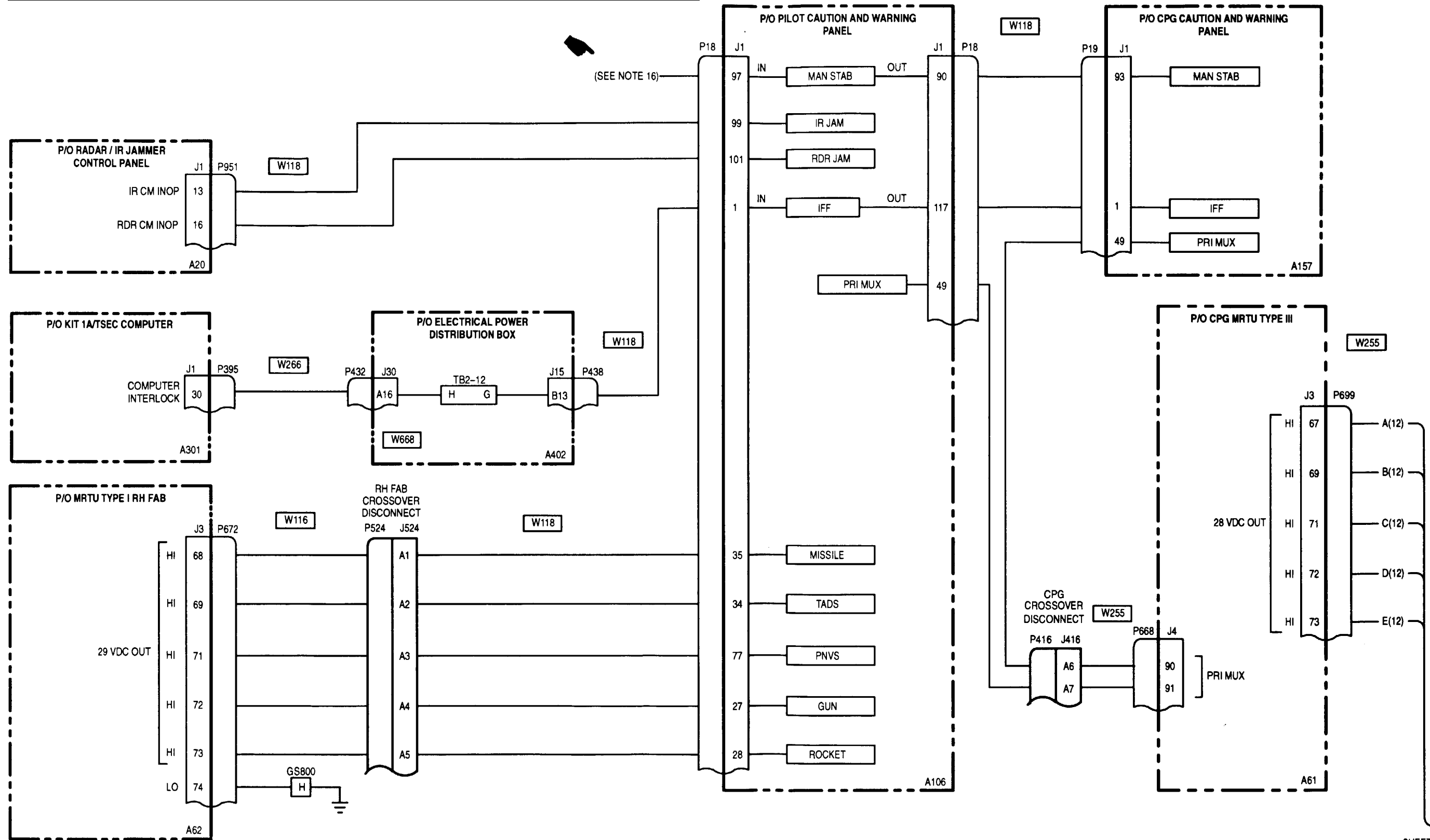
7

9-18. CAUTION AND WARNING - WIRING DIAGRAM (cont)



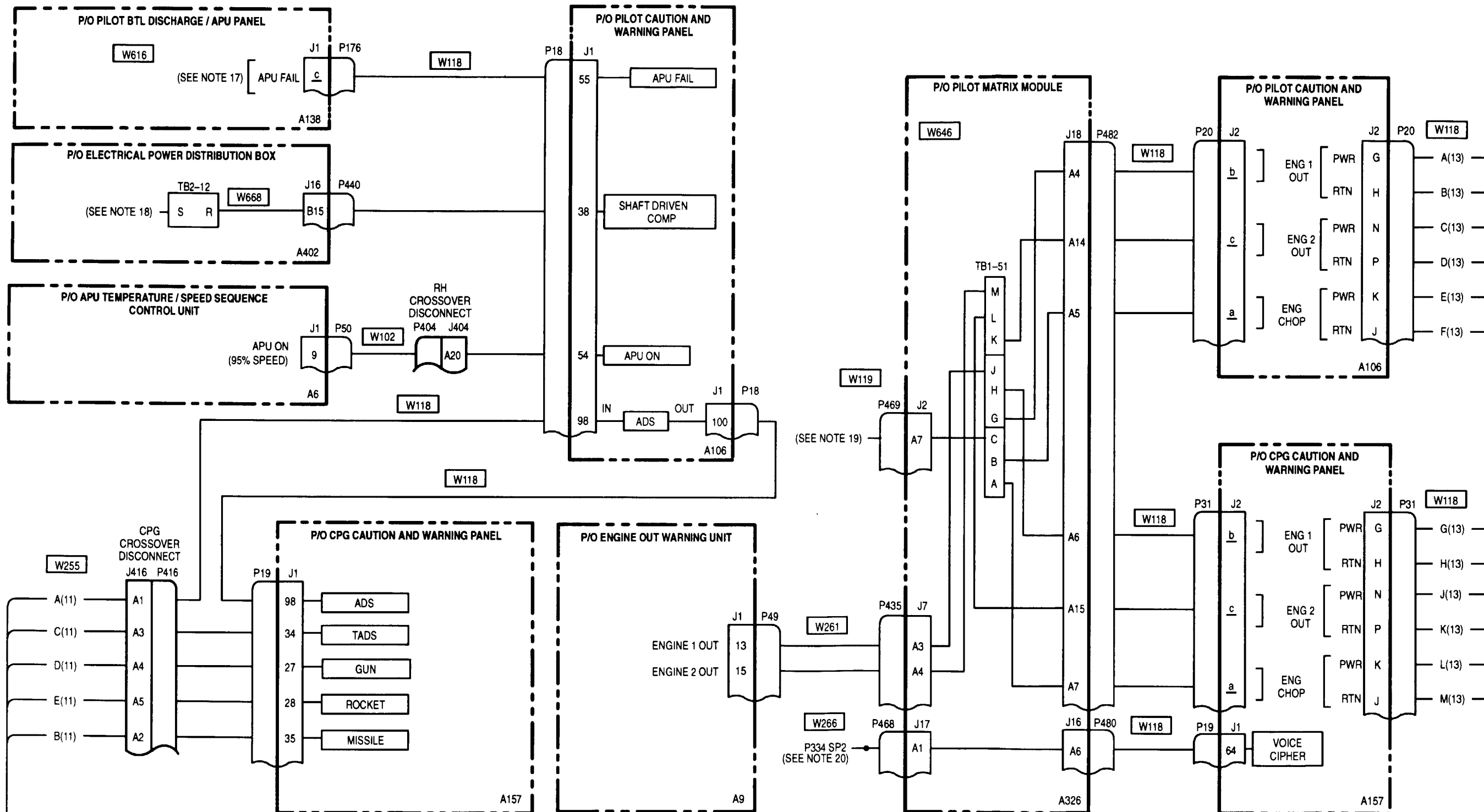
7

9-18. CAUTION AND WARNING - WIRING DIAGRAM (cont)

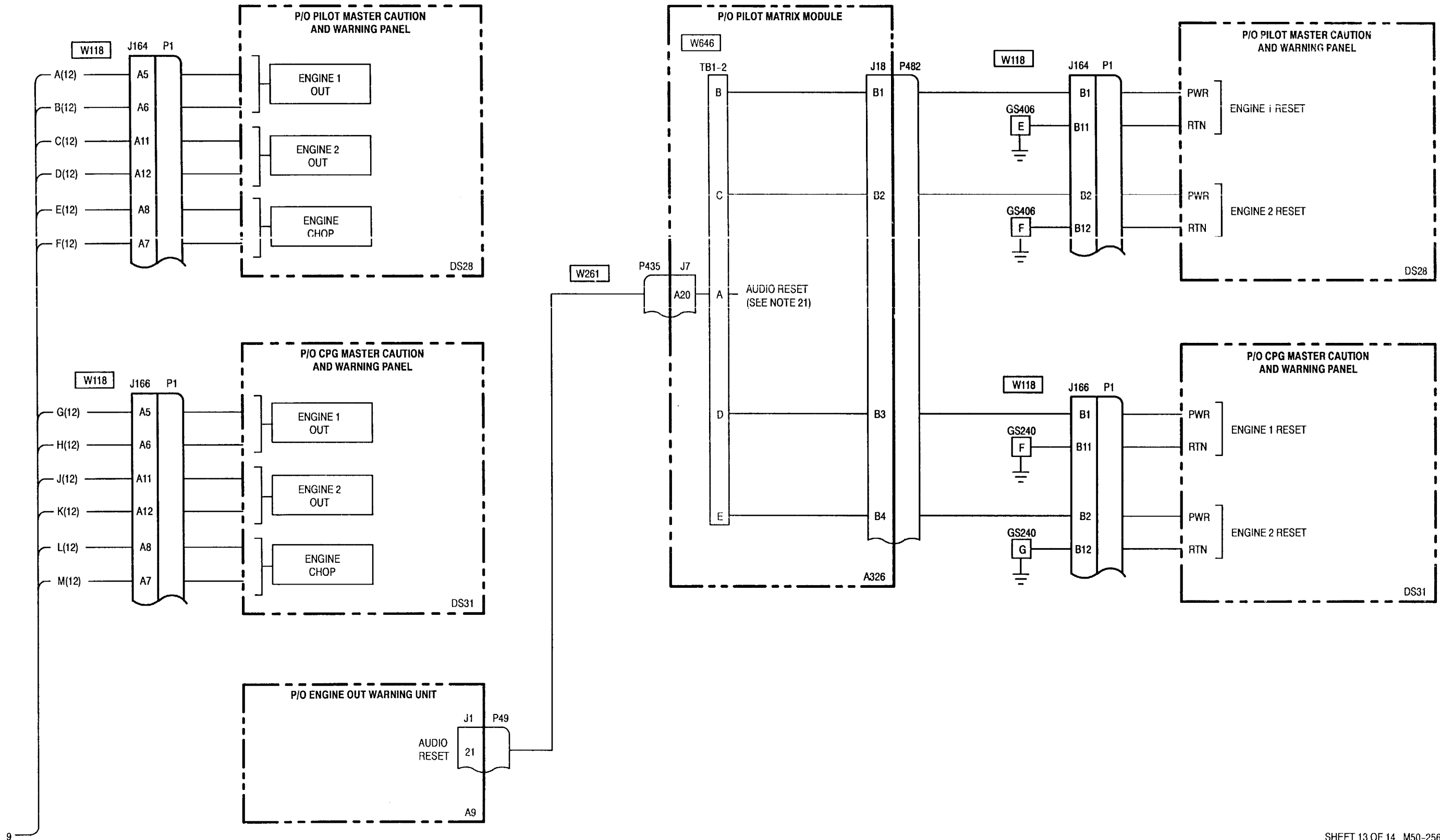


(SEE NOTE 16)

9-18. CAUTION AND WARNING - WIRING DIAGRAM (cont)



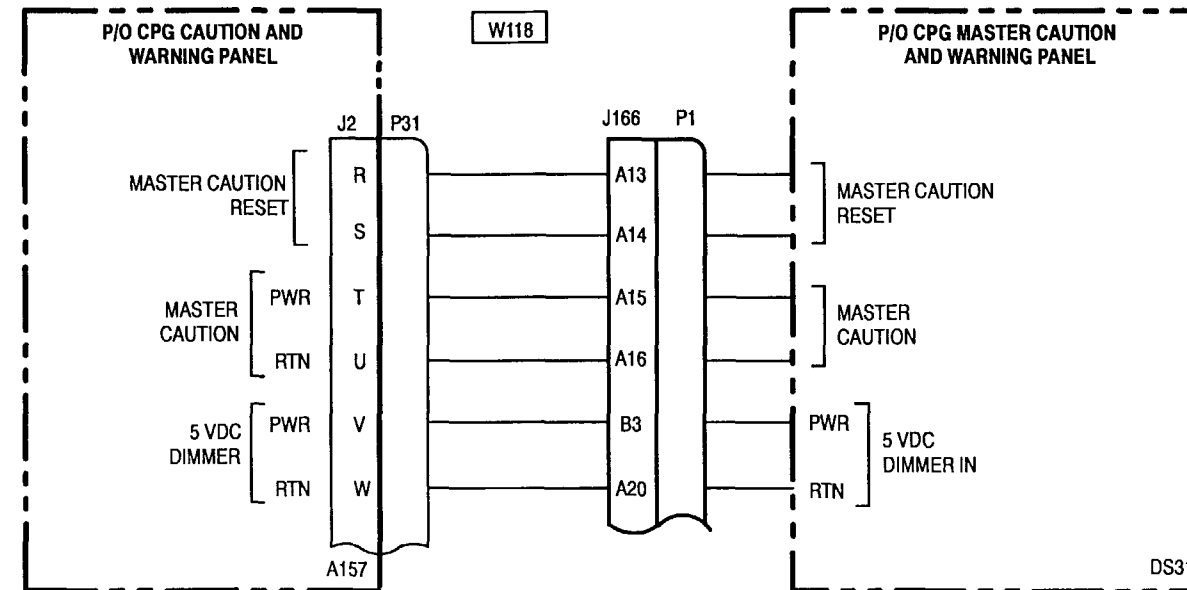
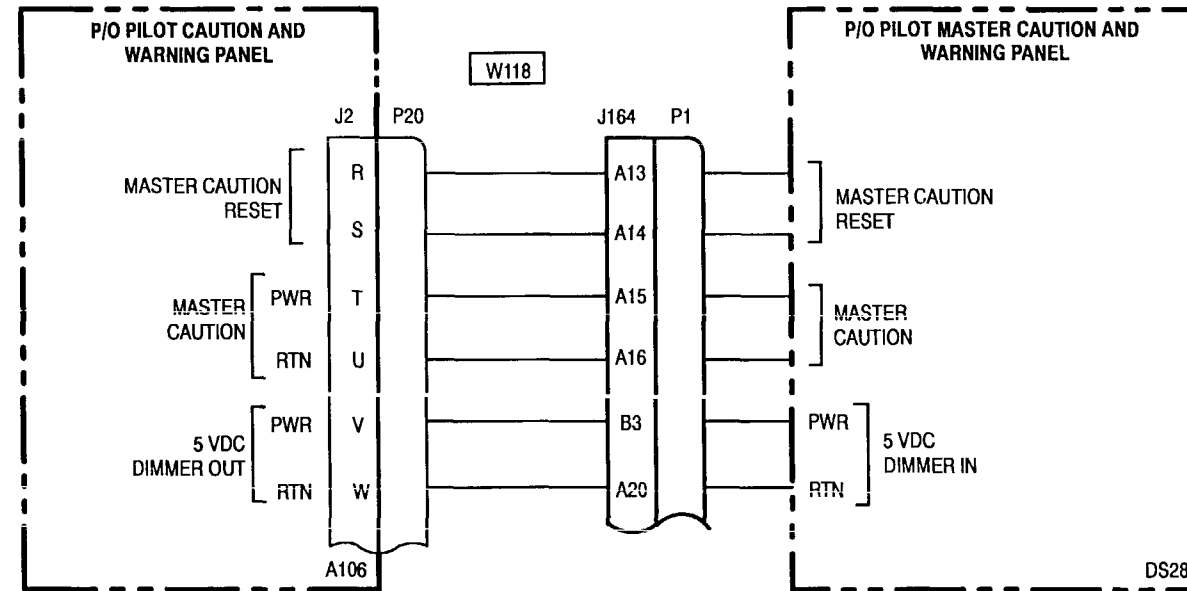
9-18. CAUTION AND WARNING - WIRING DIAGRAM (cont)



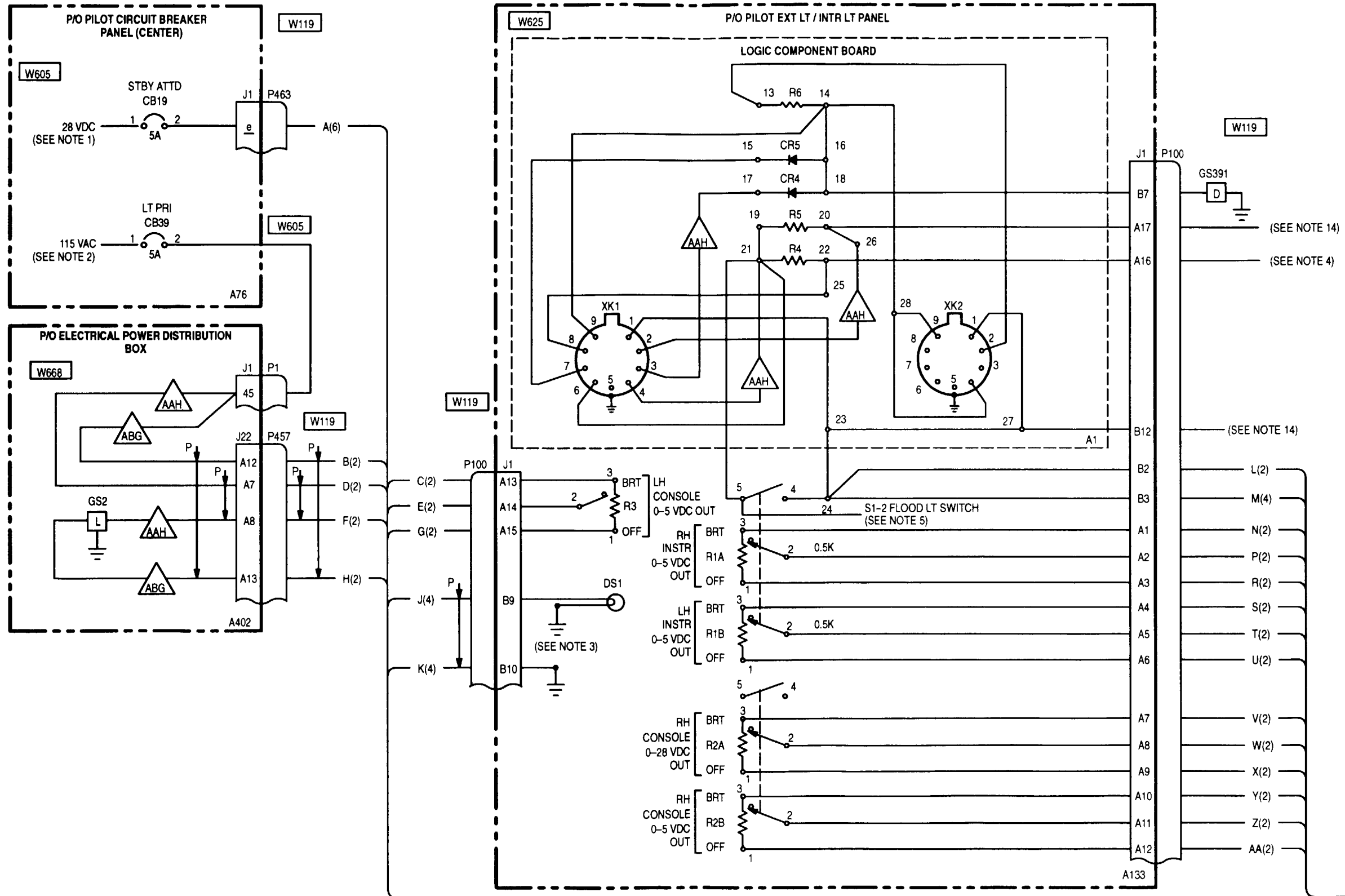
9-18. CAUTION AND WARNING - WIRING DIAGRAM (cont)

NOTES:

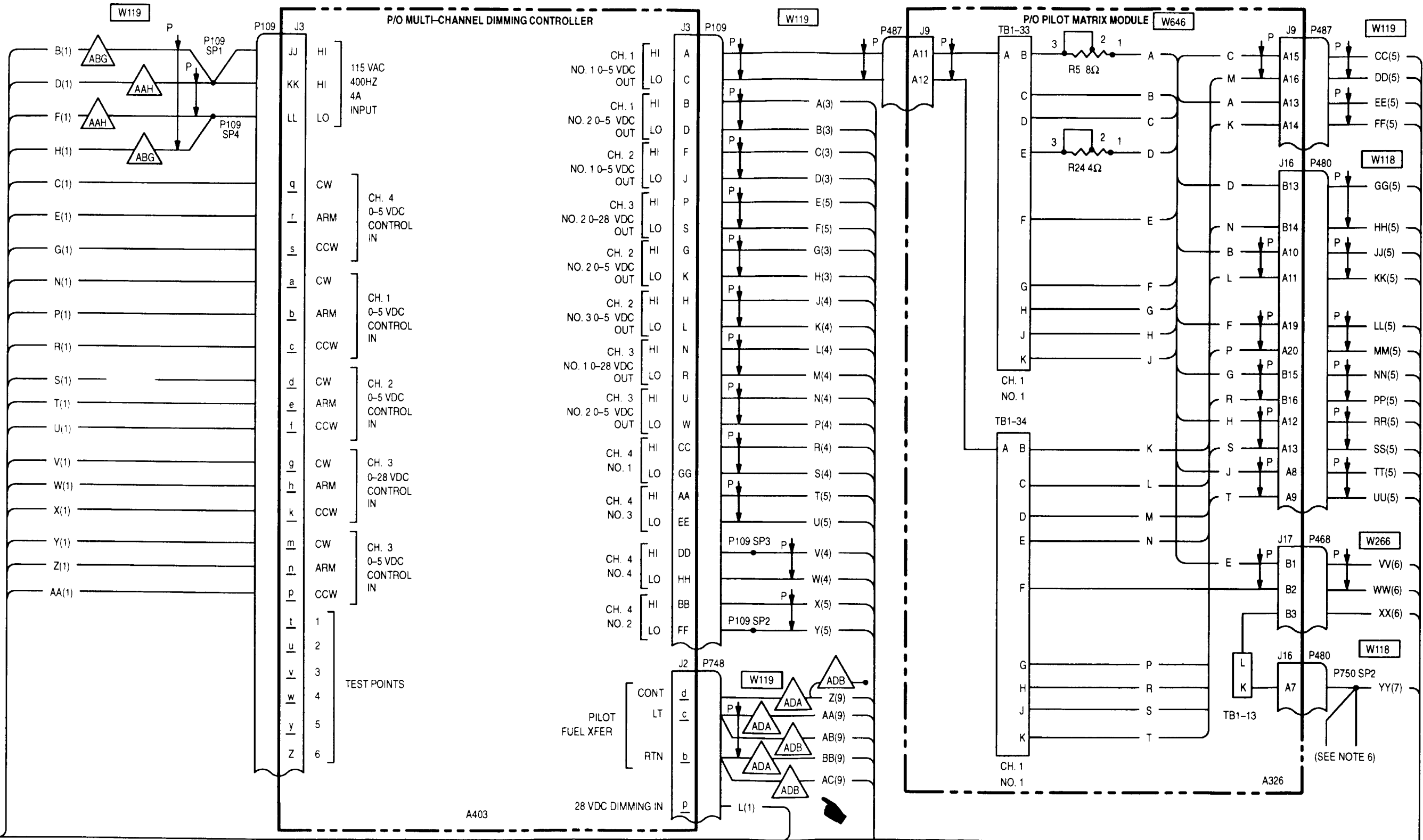
1. REFER TO PARAGRAPH 9-14. CIRCUIT PROTECTION (DC EMERGENCY BUS - PILOT STATION) - WIRING DIAGRAM.
2. REFER TO PARAGRAPH 9-15. CIRCUIT PROTECTION (DC EMERGENCY BUS - CPG STATION) - WIRING DIAGRAM.
3. REFER TO PARAGRAPH 8-1. DRIVE SYSTEM - WIRING DIAGRAM.
4. REFER TO PARAGRAPH 3-1. AERIAL ROCKET CONTROL SYSTEM (ARCS) - WIRING DIAGRAM.
5. REFER TO PARAGRAPH 9-11. CIRCUIT PROTECTION (DC ESSENTIAL BUS 2 PILOT STATION) - WIRING DIAGRAM.
6. REFER TO PARAGRAPH 25-6. FIRE DETECTION AND EXTINGUISHING - WIRING DIAGRAM.
7. REFER TO PARAGRAPH 13-3. FUEL QUANTITY INDICATION/TRANSFER - WIRING DIAGRAM.
8. REFER TO PARAGRAPH 13-1. AUXILIARY FUEL - WIRING DIAGRAM.
9. REFER TO PARAGRAPH 13-2. FUEL CROSSFEED/BOOST - WIRING DIAGRAM.
10. REFER TO PARAGRAPH 13-4. PRESSURE REFUELING/DEFUELING - WIRING DIAGRAM.
11. REFER TO PARAGRAPH 25-2. ENGINE ANTI-ICE - WIRING DIAGRAM.
12. REFER TO PARAGRAPH 15-1. HYDRAULIC - WIRING DIAGRAM.
13. REFER TO PARAGRAPH 10-1. ENVIRONMENTAL CONTROL SYSTEM (ECS) - WIRING DIAGRAM.
14. REFER TO PARAGRAPH 9-2. DC ELECTRICAL POWER GENERATION - WIRING DIAGRAM.
15. REFER TO PARAGRAPH 9-1. AC ELECTRICAL POWER GENERATION - WIRING DIAGRAM.
16. REFER TO PARAGRAPH 12-4. STABILATOR - WIRING DIAGRAM.
17. REFER TO PARAGRAPH 5-1. AUXILIARY POWER UNIT (APU) - WIRING DIAGRAM.
18. REFER TO PARAGRAPH 15-2. PRESSURIZED AIR SYSTEM (PAS) - WIRING DIAGRAM.
19. REFER TO PARAGRAPH 23-1. POWER PLANTS - WIRING DIAGRAM.
20. REFER TO PARAGRAPH 6-2. TSEC/KY-58 COMMUNICATIONS SECURITY EQUIPMENT - WIRING DIAGRAM.
21. REFER TO PARAGRAPH 9-27. AUDIO WARNING - WIRING DIAGRAM.



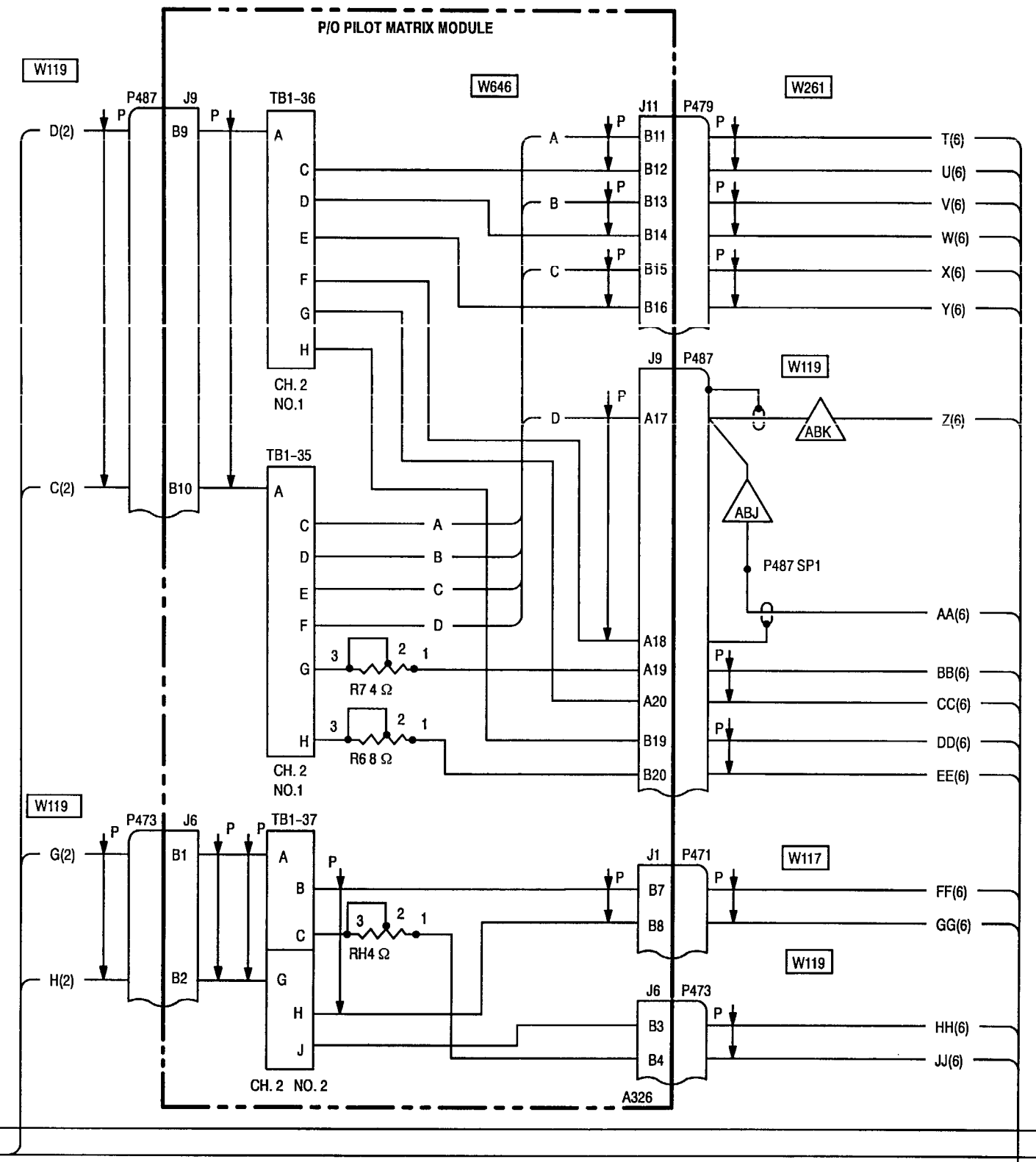
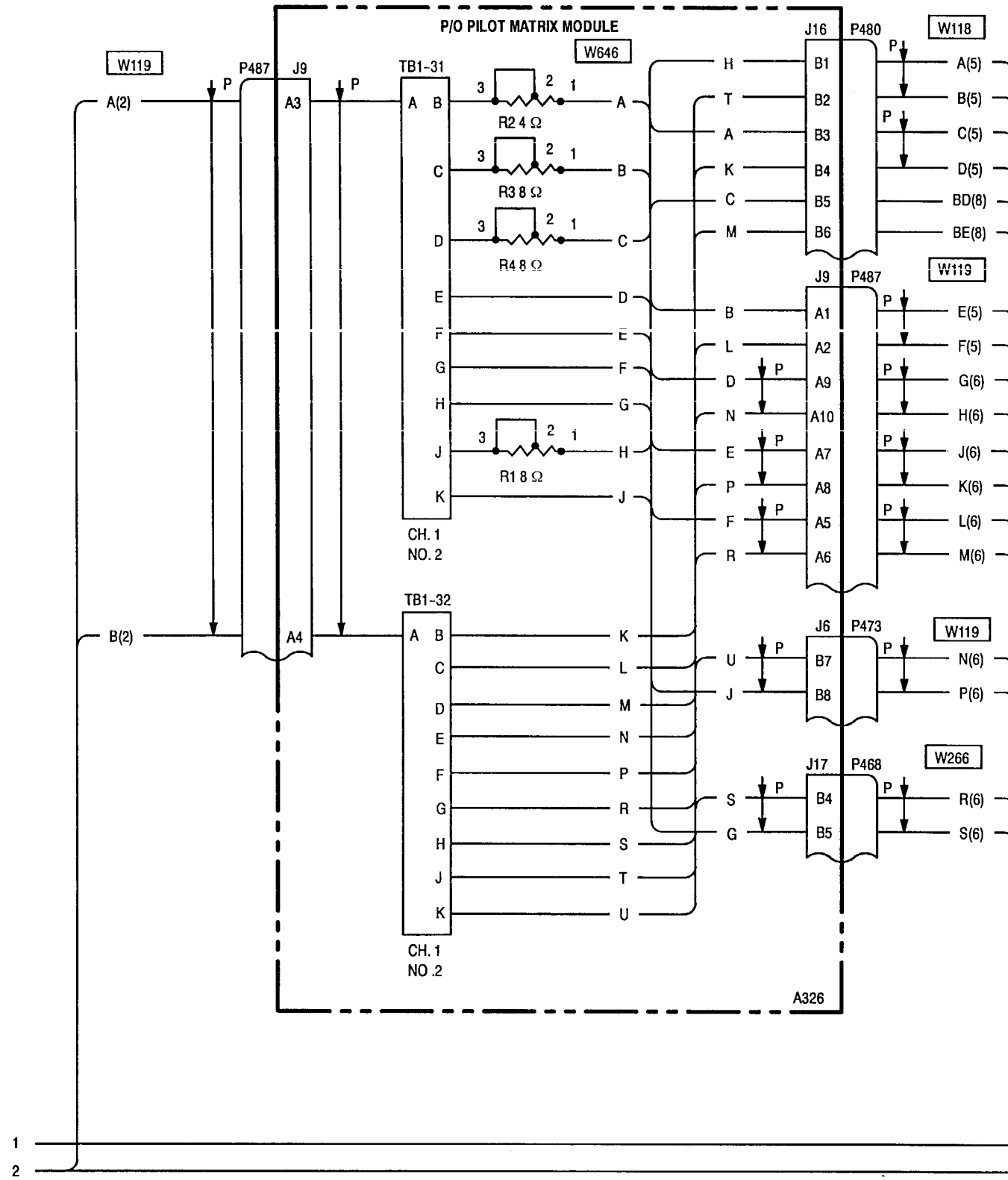
9-19. EDGE LIGHTS - WIRING DIAGRAM



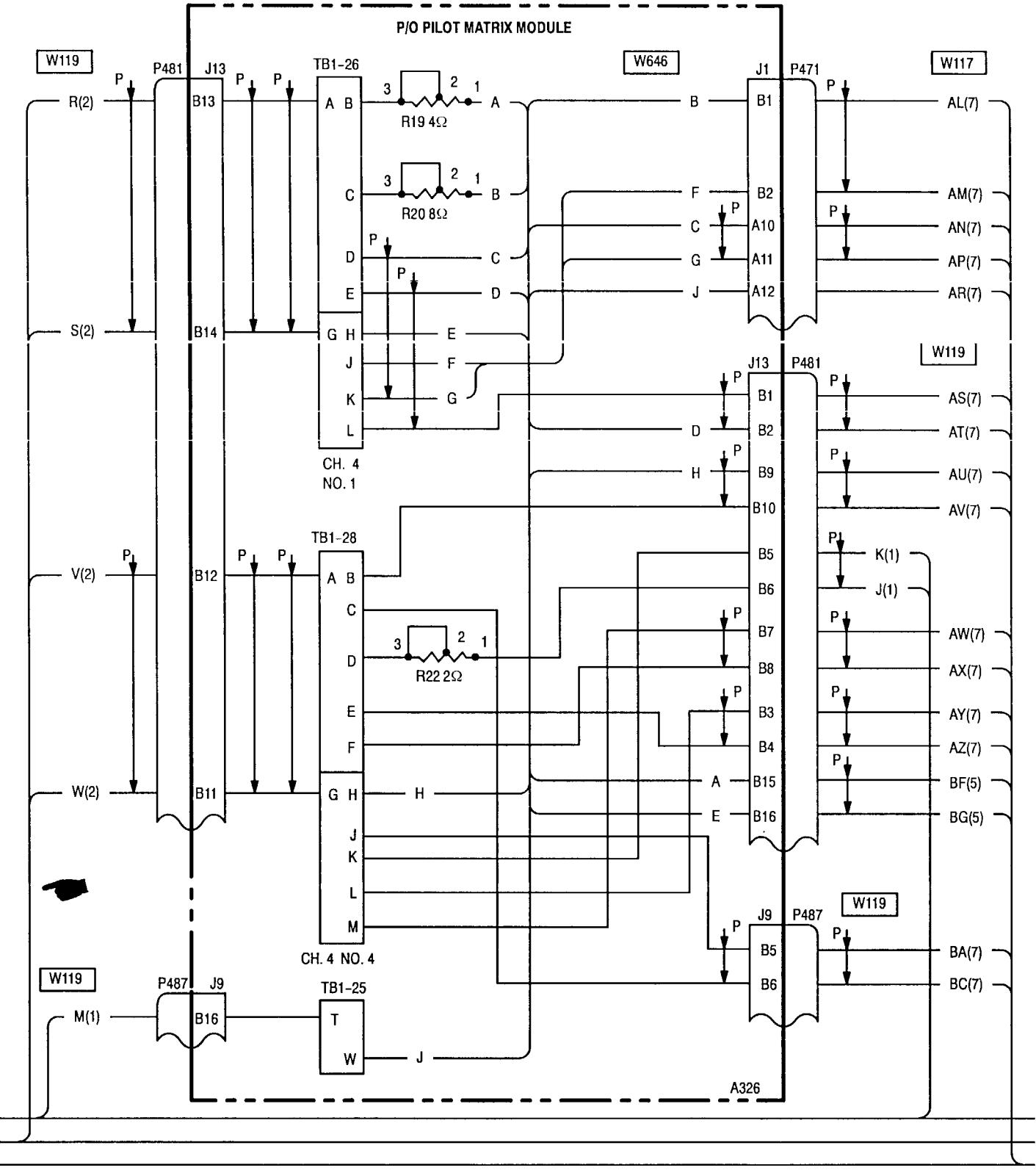
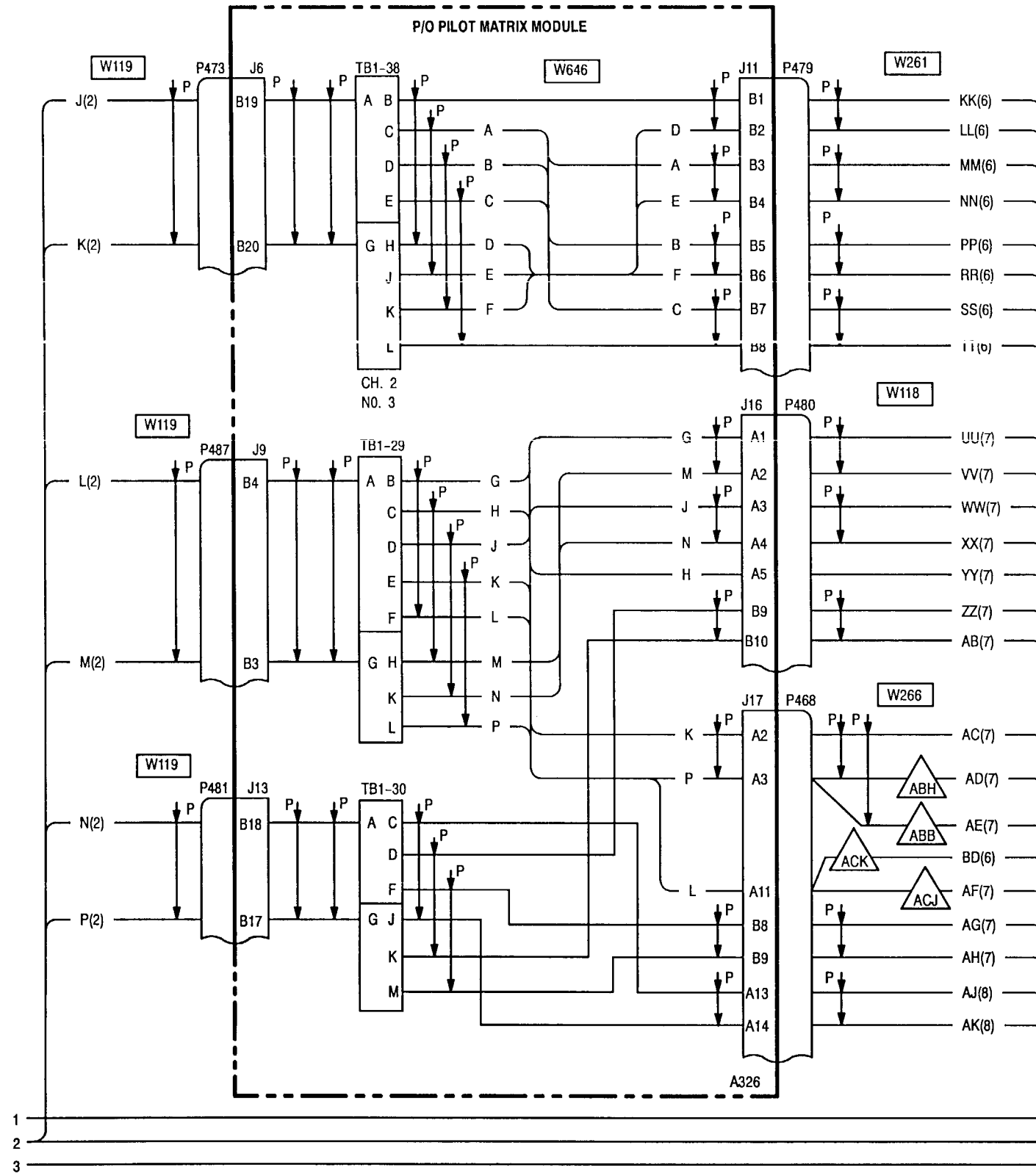
9-19. EDGE LIGHTS - WIRING DIAGRAM (cont)



9-19. EDGE LIGHTS - WIRING DIAGRAM (cont)



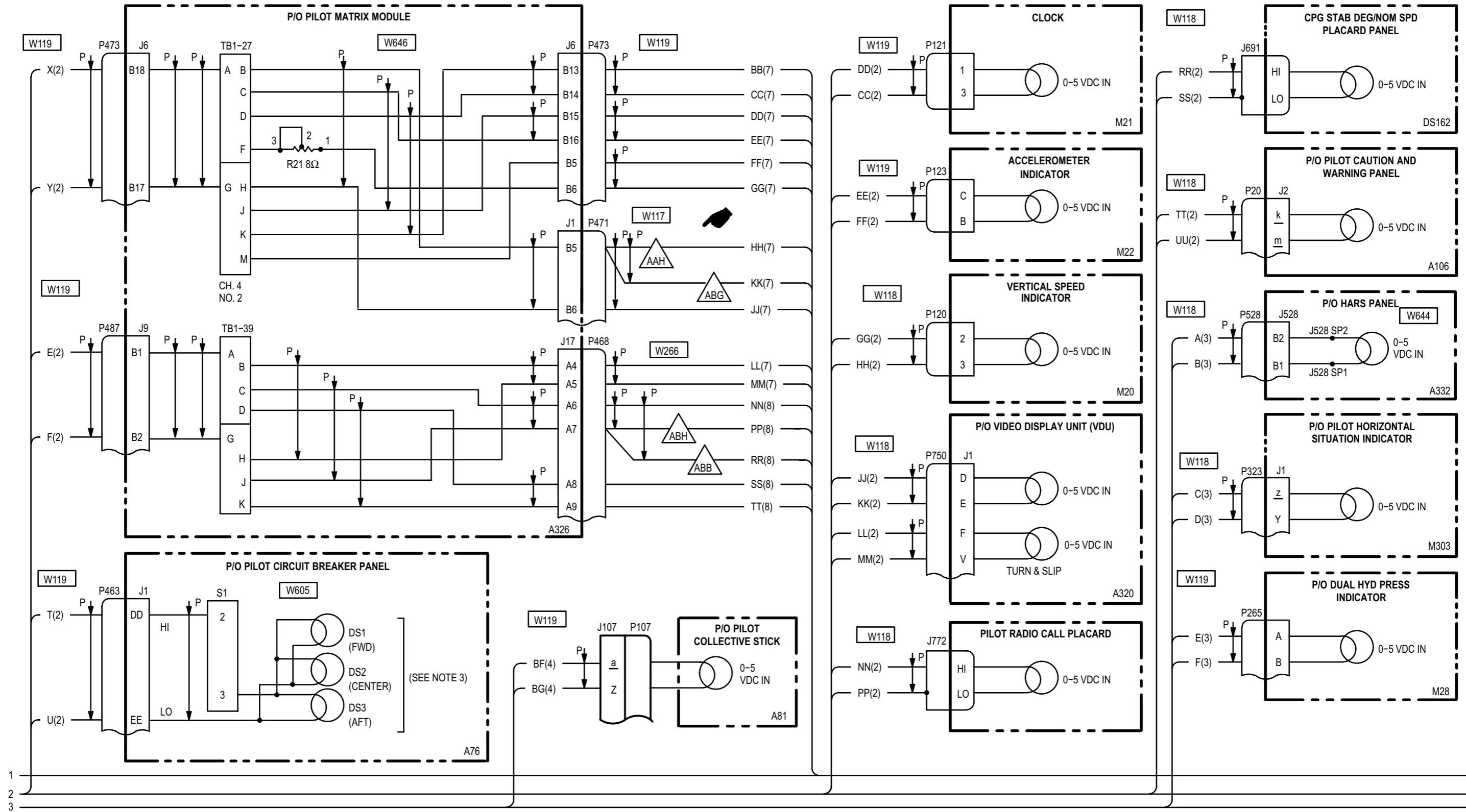
9-19. EDGE LIGHTS - WIRING DIAGRAM (cont)



1
2
3

9-19. EDGE LIGHTS - WIRING DIAGRAM (cont)

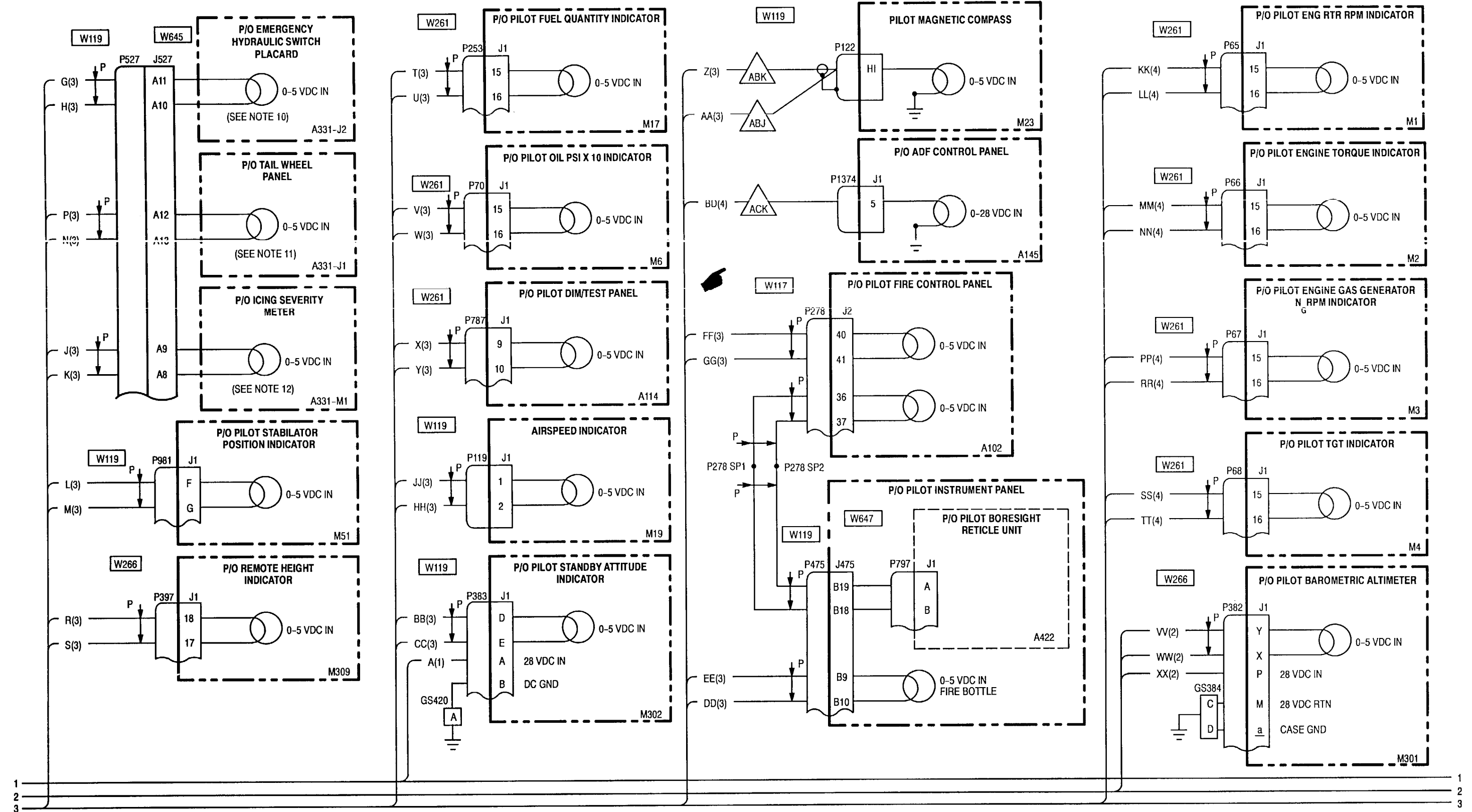
9-19



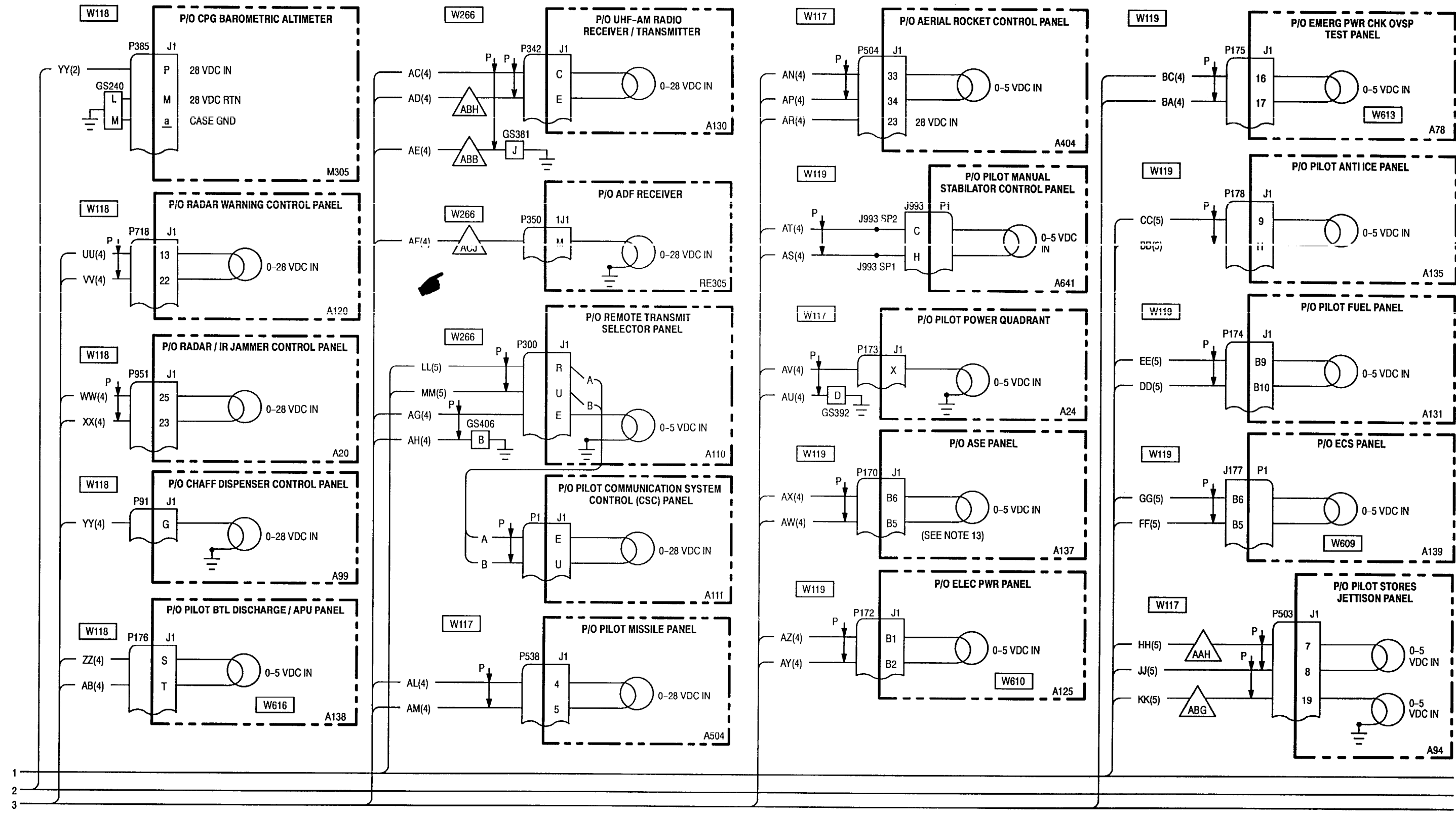
1
2
3

1
2
3

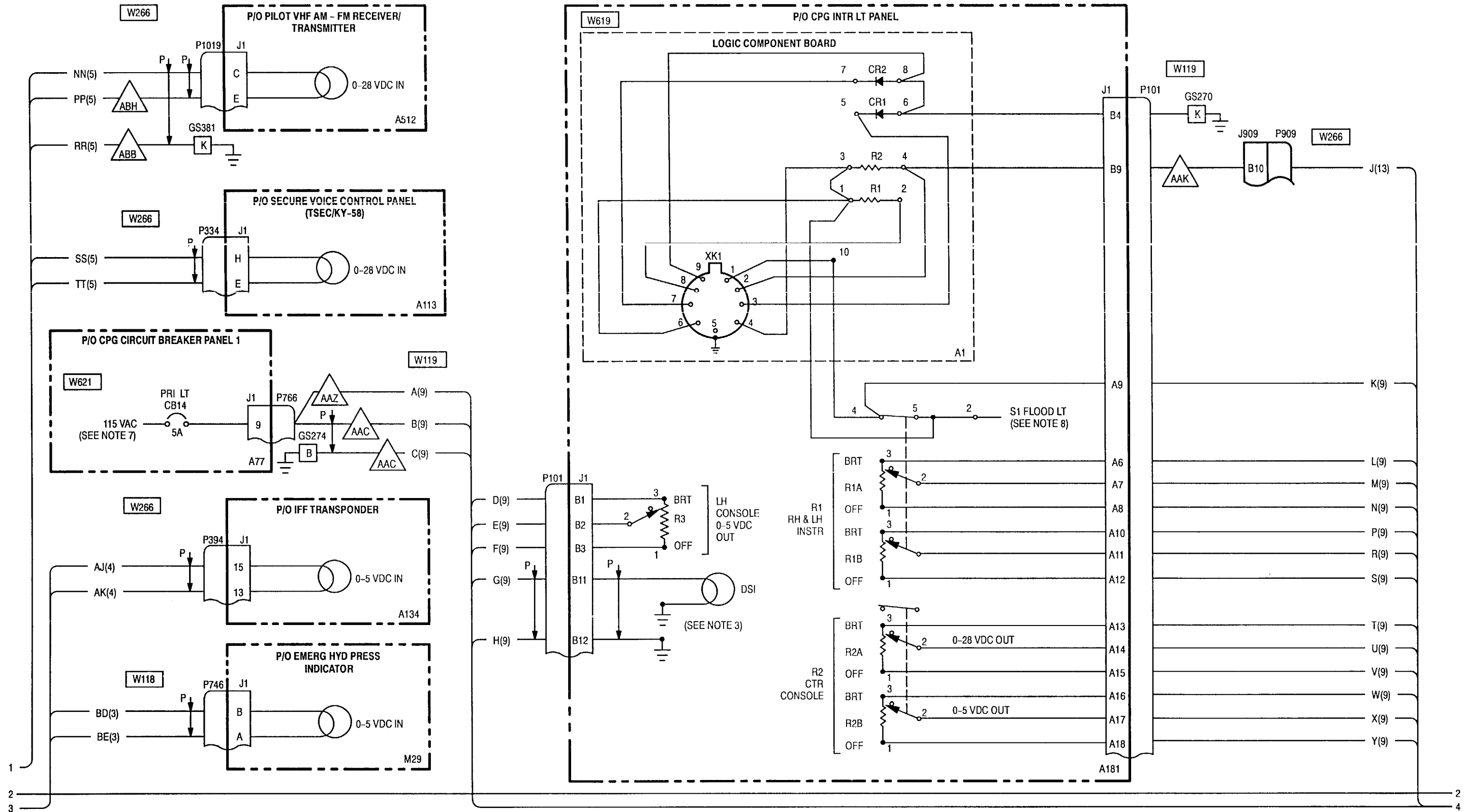
9-19. EDGE LIGHTS - WIRING DIAGRAM (cont)



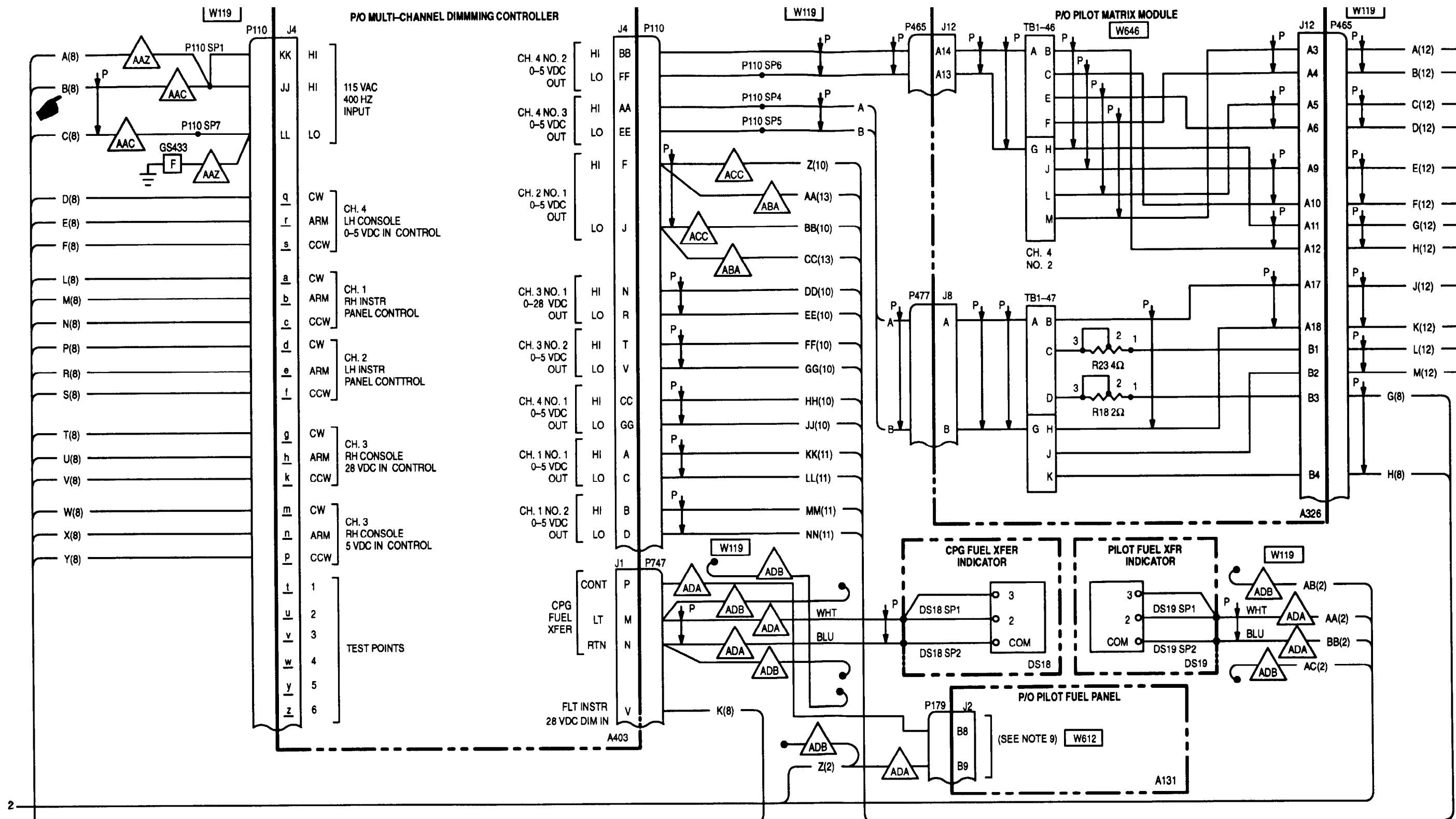
9-19. EDGE LIGHTS - WIRING DIAGRAM (cont)



9-19. EDGE LIGHTS - WIRING DIAGRAM (cont)

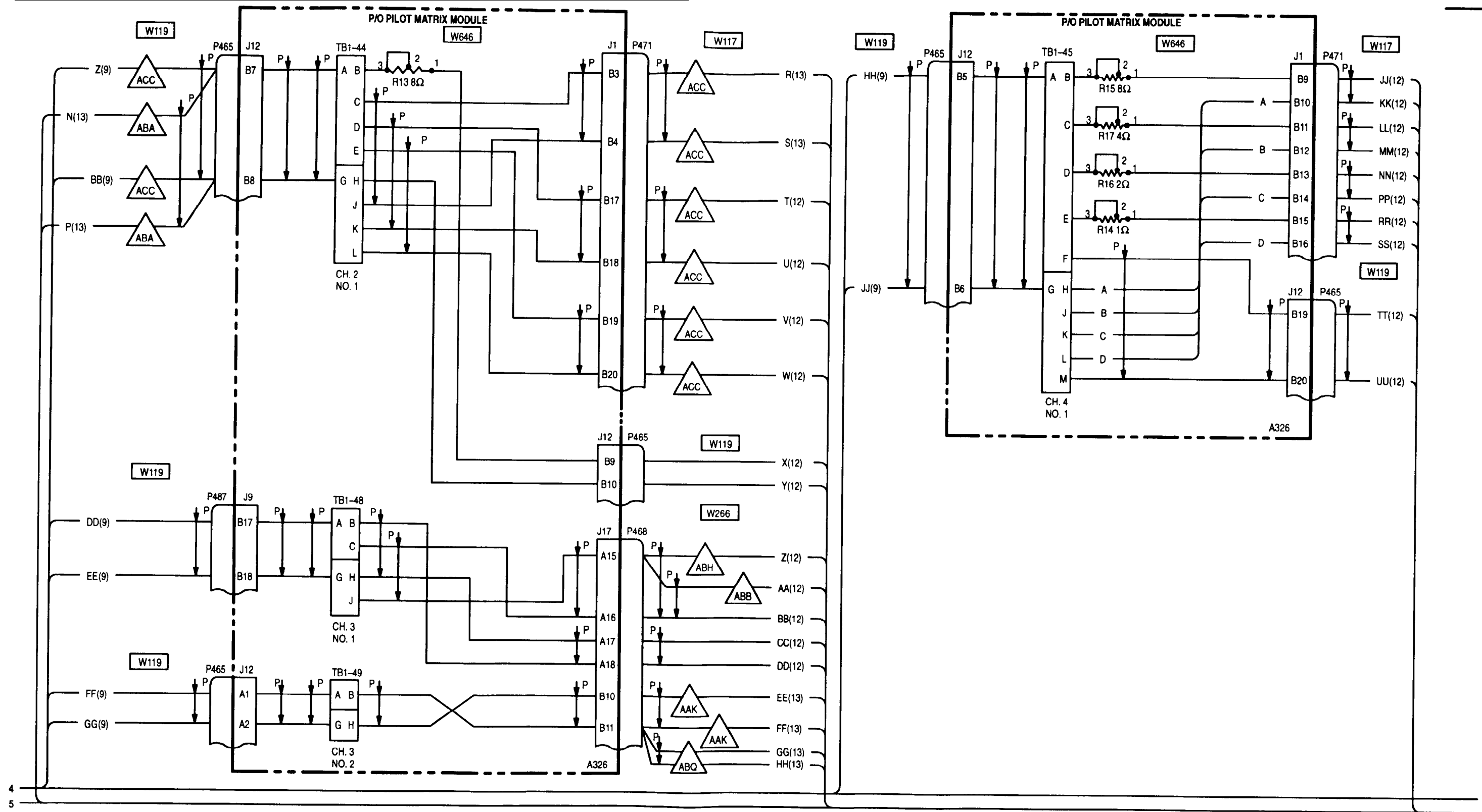


9-19. EDGE LIGHTS - WIRING DIAGRAM (cont)



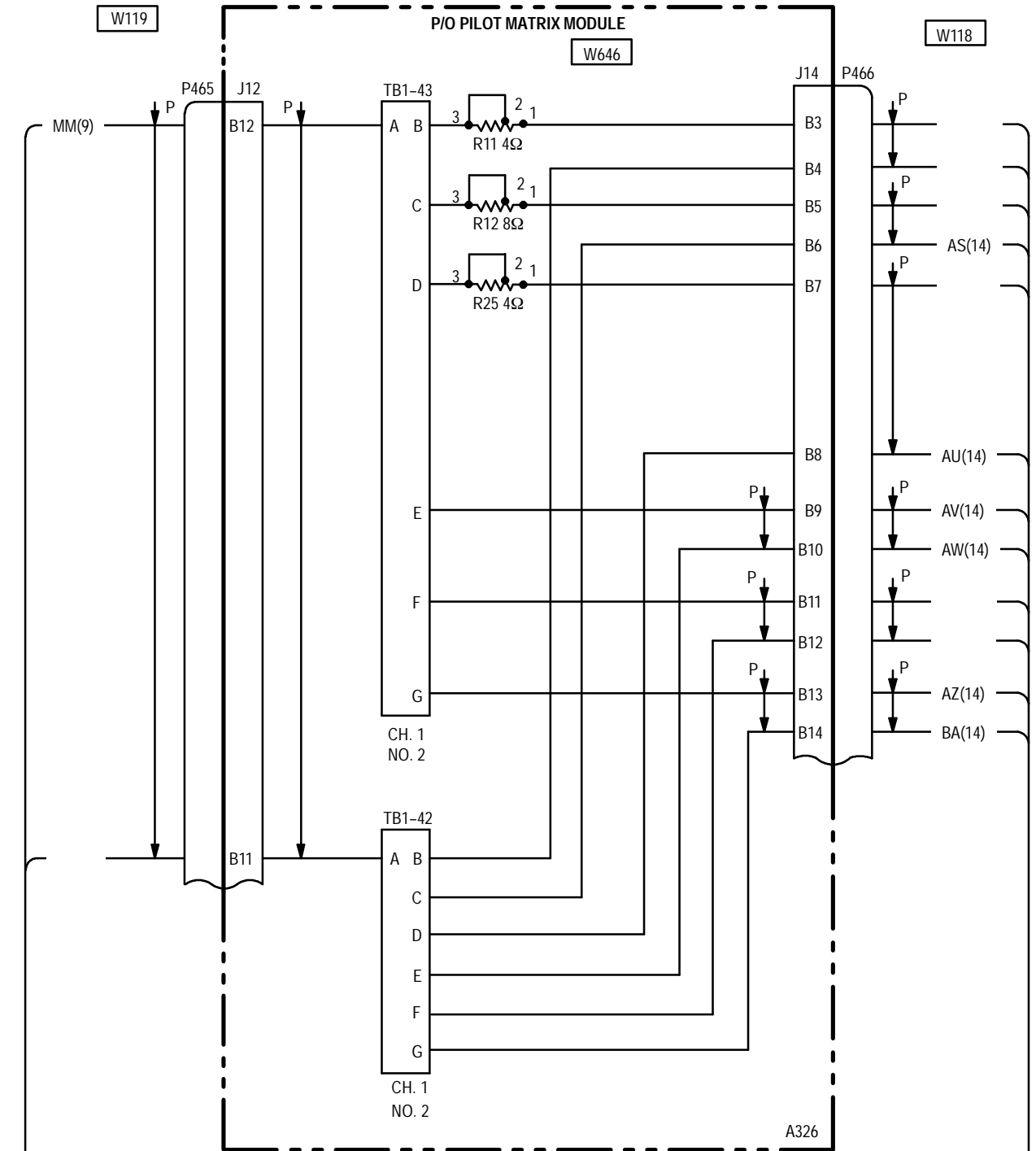
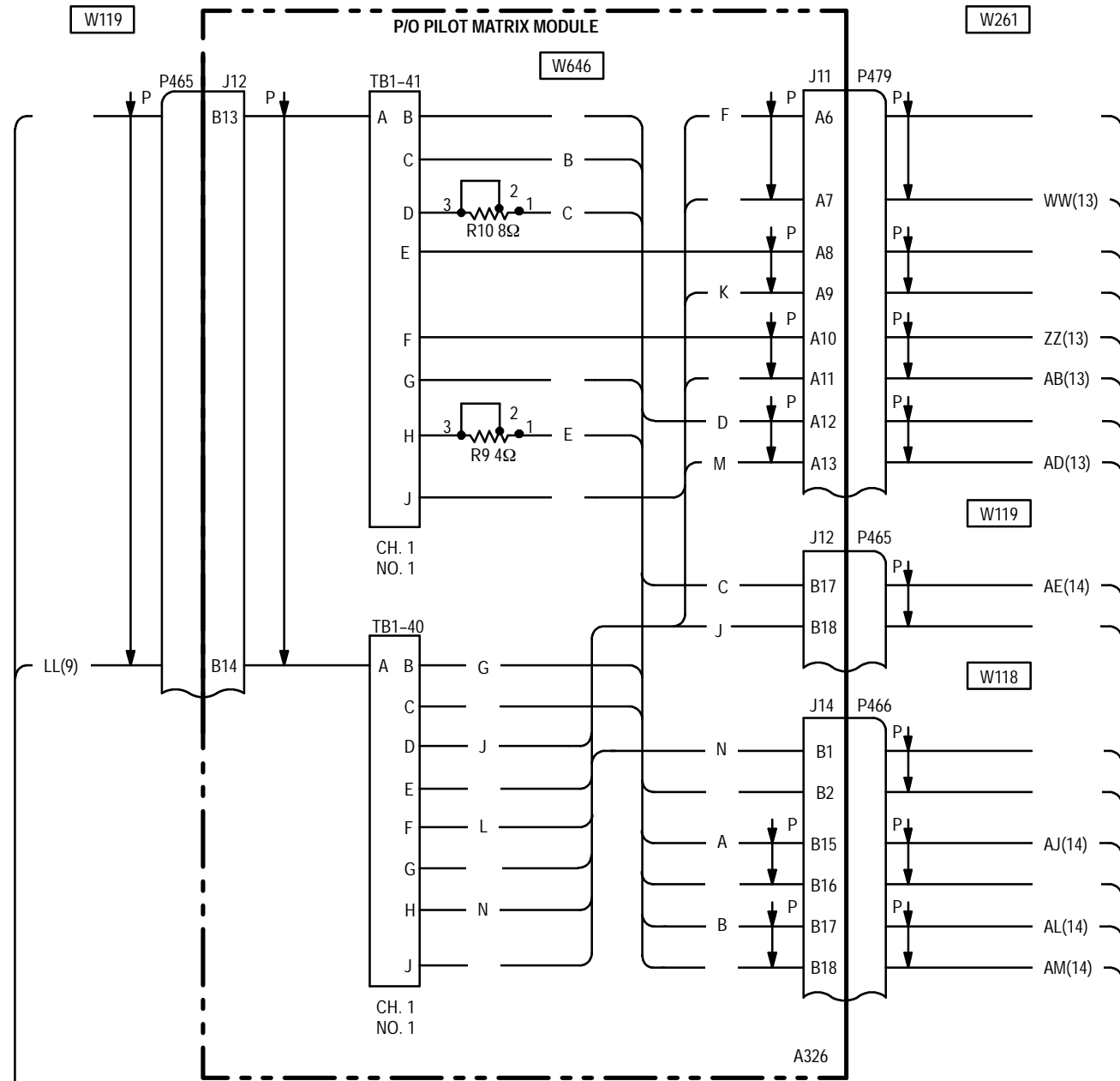
2
4

9-19. EDGE LIGHTS - WIRING DIAGRAM (cont)



4
5

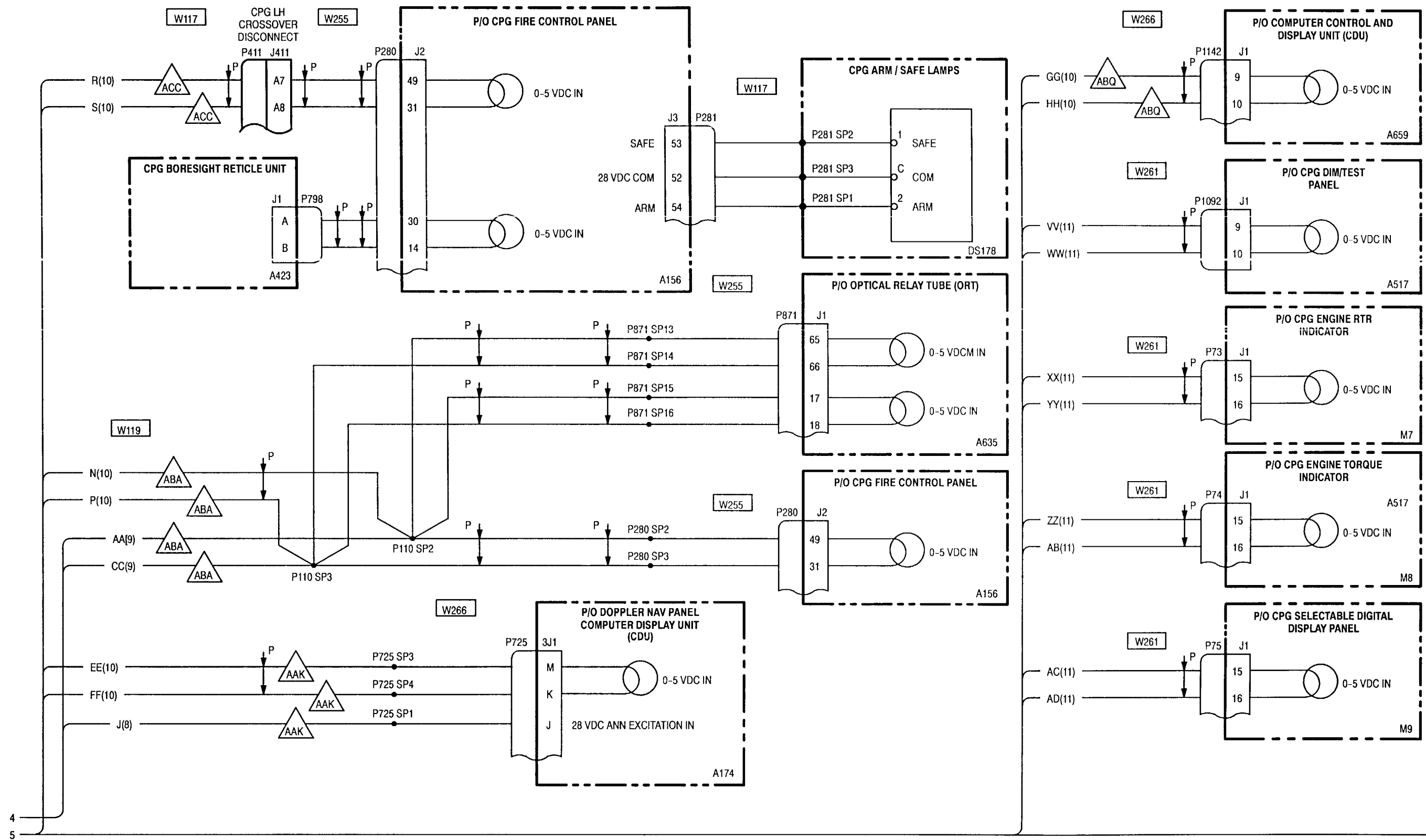
9-19. EDGE LIGHTS - WIRING DIAGRAM (cont)



4
5

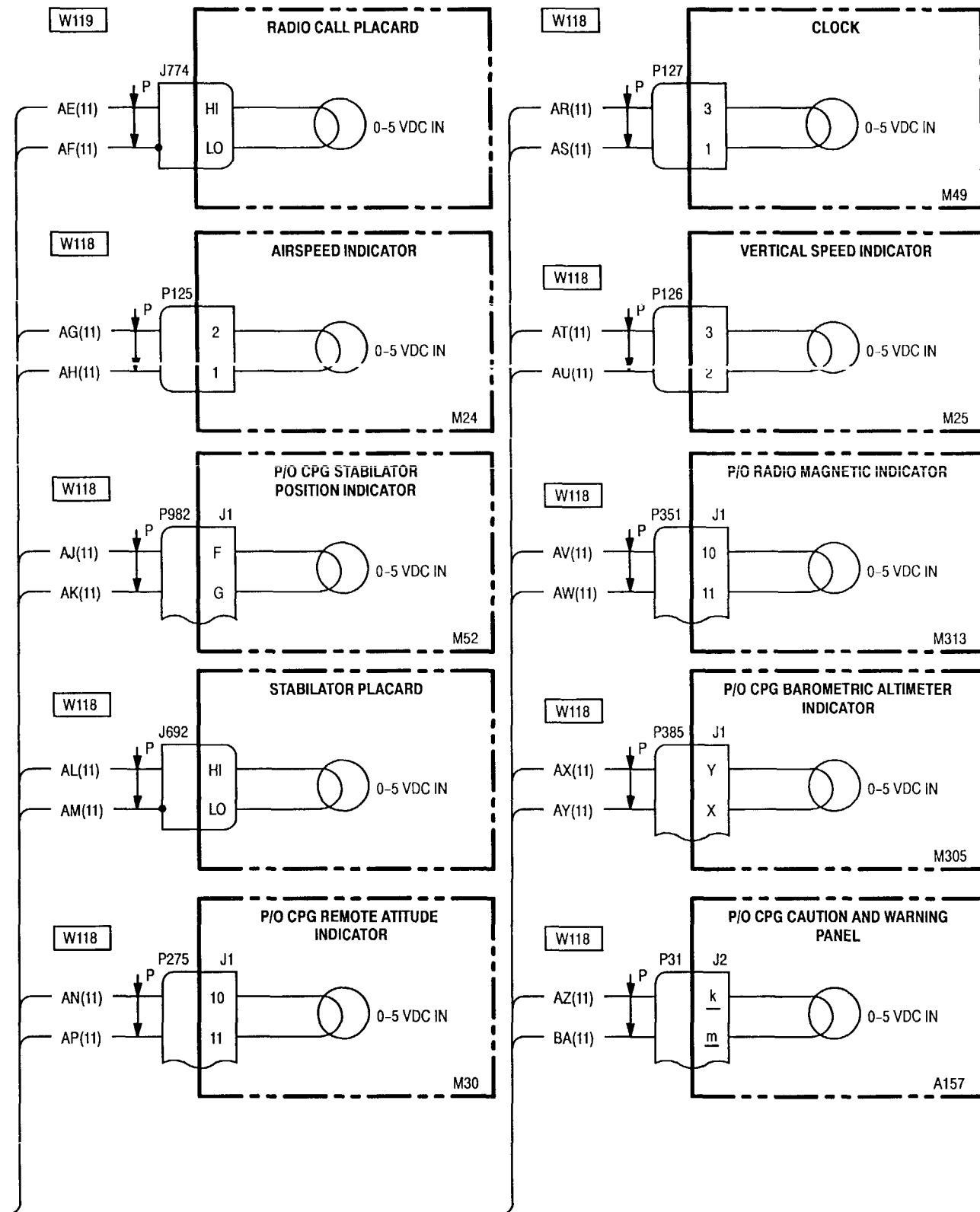
4
5

9-19. EDGE LIGHTS - WIRING DIAGRAM (cont)



4
5

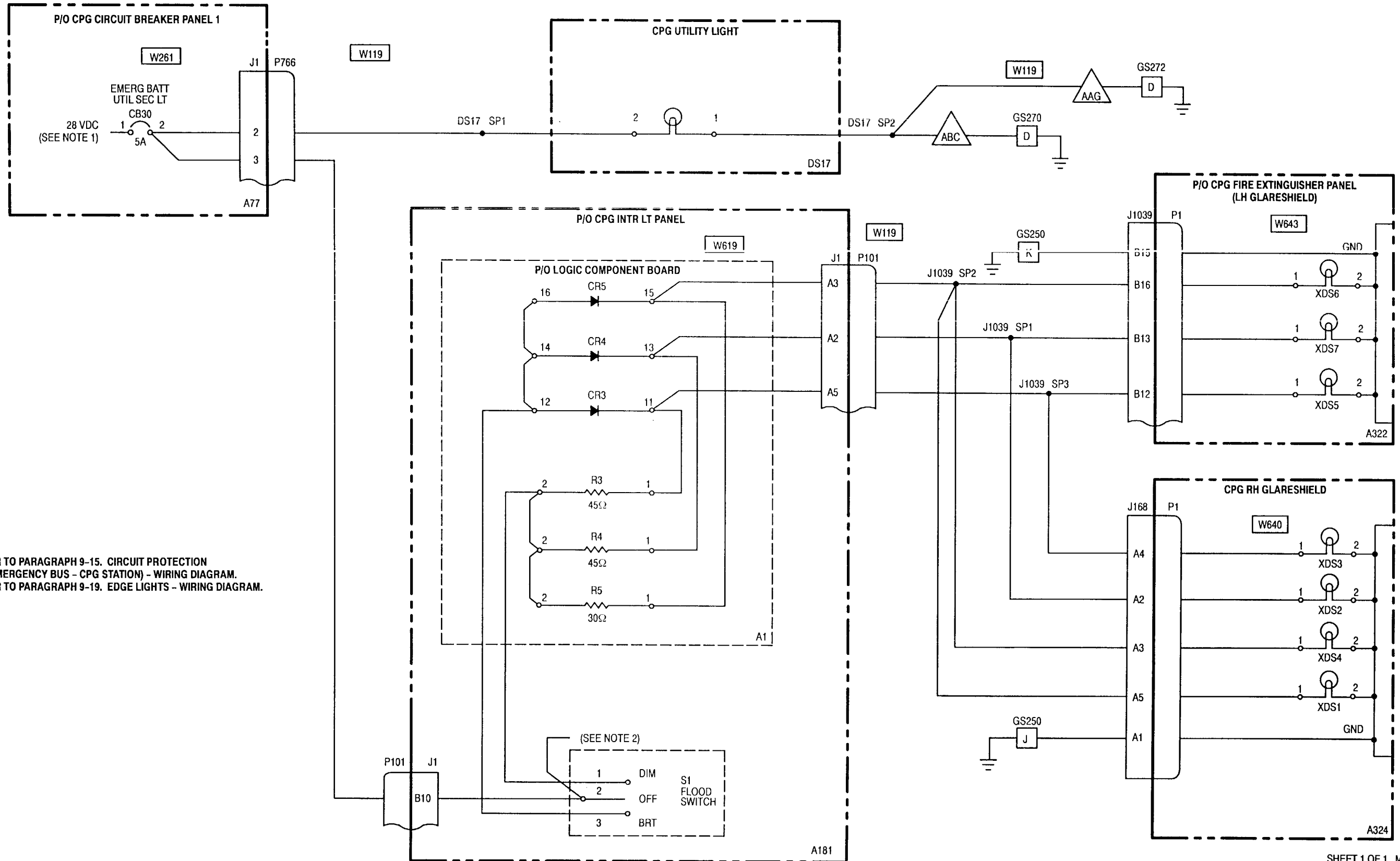
5



NOTES:

1. REFER TO PARAGRAPH 9-14. CIRCUIT PROTECTION (DC EMERGENCY BUS-PILOT STATION) - WIRING DIAGRAM.
2. REFER TO PARAGRAPH 9-5. CIRCUIT PROTECTION (AC ESSENTIAL BUS 1-PILOT STATION) - WIRING DIAGRAM.
3. EDGE LIGHT PANEL.
4. REFER TO PARAGRAPH 20-5. RADAR ALTIMETER (RADALT) SET - WIRING DIAGRAM.
5. REFER TO PARAGRAPH 9-21. PILOT UTILITY AND SECONDARY LIGHTS - WIRING DIAGRAM.
6. REFER TO PARAGRAPH 26-2. VIDEO DISPLAY UNIT (VDU) AND VIDEO RECORDER - WIRING DIAGRAM.
7. REFER TO PARAGRAPH 9-8. CIRCUIT PROTECTION (AC ESSENTIAL BUS 2-CPG STATION) - WIRING DIAGRAM.
8. REFER TO PARAGRAPH 9-20. CPG UTILITY AND SECONDARY LIGHTS - WIRING DIAGRAM.
9. REFER TO PARAGRAPH 13-3. FUEL QUANTITY INDICATION/TRANSFER - WIRING DIAGRAM.
10. EMERGENCY HYDRAULIC EDGE LIGHT.
11. TAIL WHEEL LOCK CONTROL EDGE LIGHT.
12. ICING RATE METER LAMP (M1).
13. REFER TO PARAGRAPH 12-1. DASE - WIRING DIAGRAM (BUCS DEACTIVATED) (SERIAL NO. 82-23355 THRU 88-0199) OR PARAGRAPH 12-2. DASE - WIRING DIAGRAM (BUCS ACTIVATED) (SERIAL NO. 88-0200 AND SUBSEQUENT).
14. REFER TO PARAGRAPH 21-2. RADAR JAMMER AN/ALQ-136 - WIRING DIAGRAM.

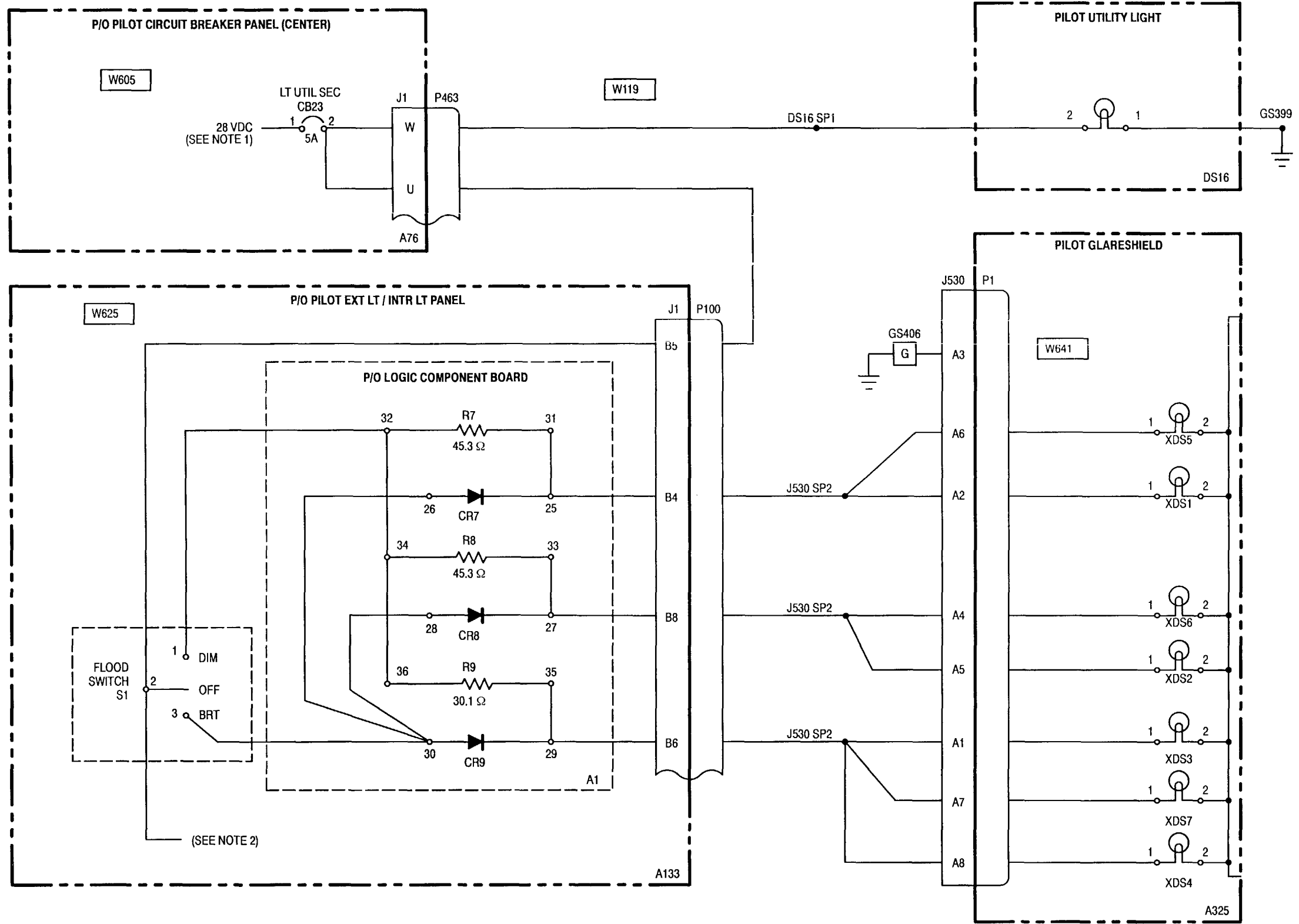
9-20. CPGUTILITY AND SECONDARY LIGHTS -WIRING DIAGRAM



NOTES:

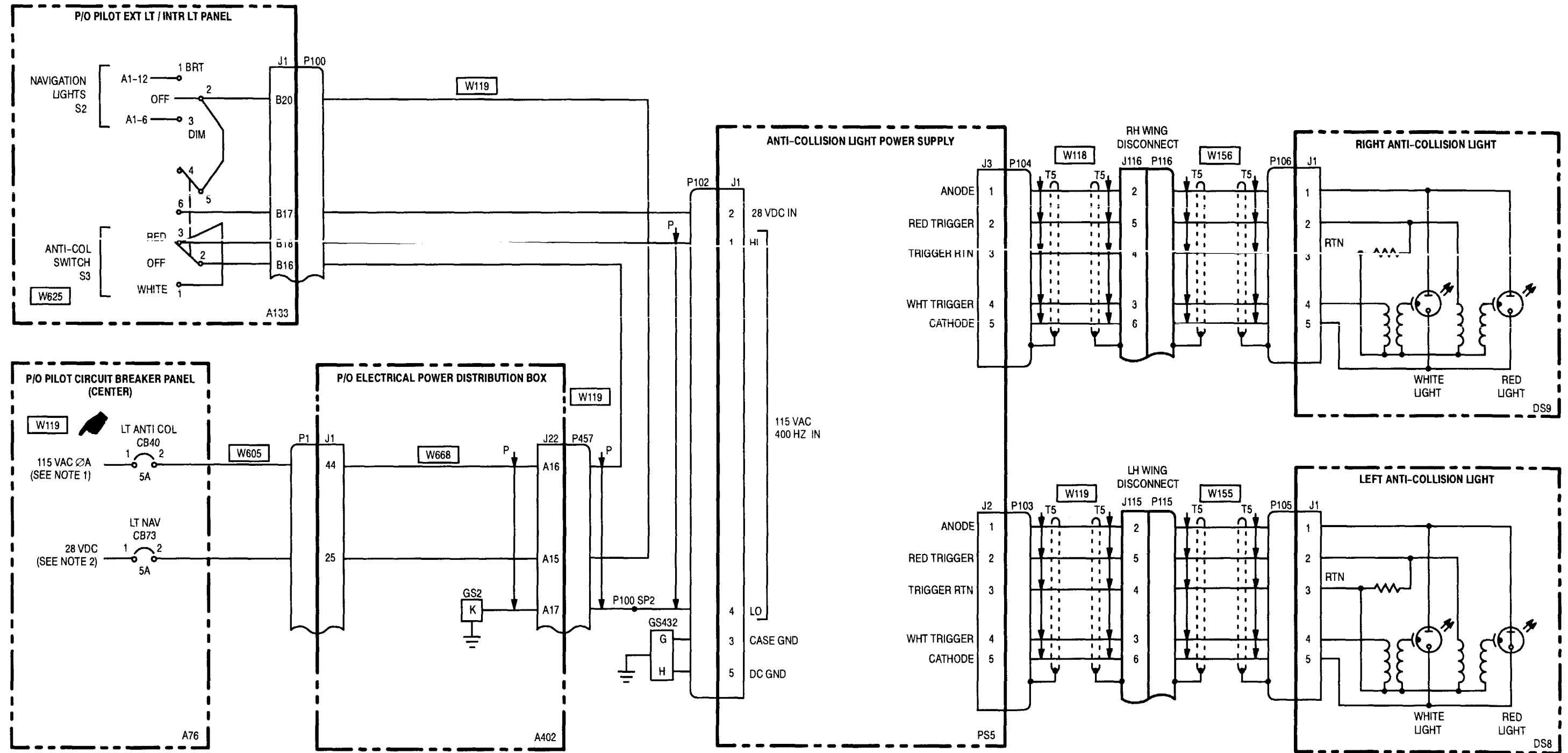
1. REFER TO PARAGRAPH 9-15. CIRCUIT PROTECTION (DC EMERGENCY BUS - CPG STATION) - WIRING DIAGRAM.
2. REFER TO PARAGRAPH 9-19. EDGE LIGHTS - WIRING DIAGRAM.

9-21. PILOT UTILITY AND SECONDARY LIGHTS -WIRING DIAGRAM



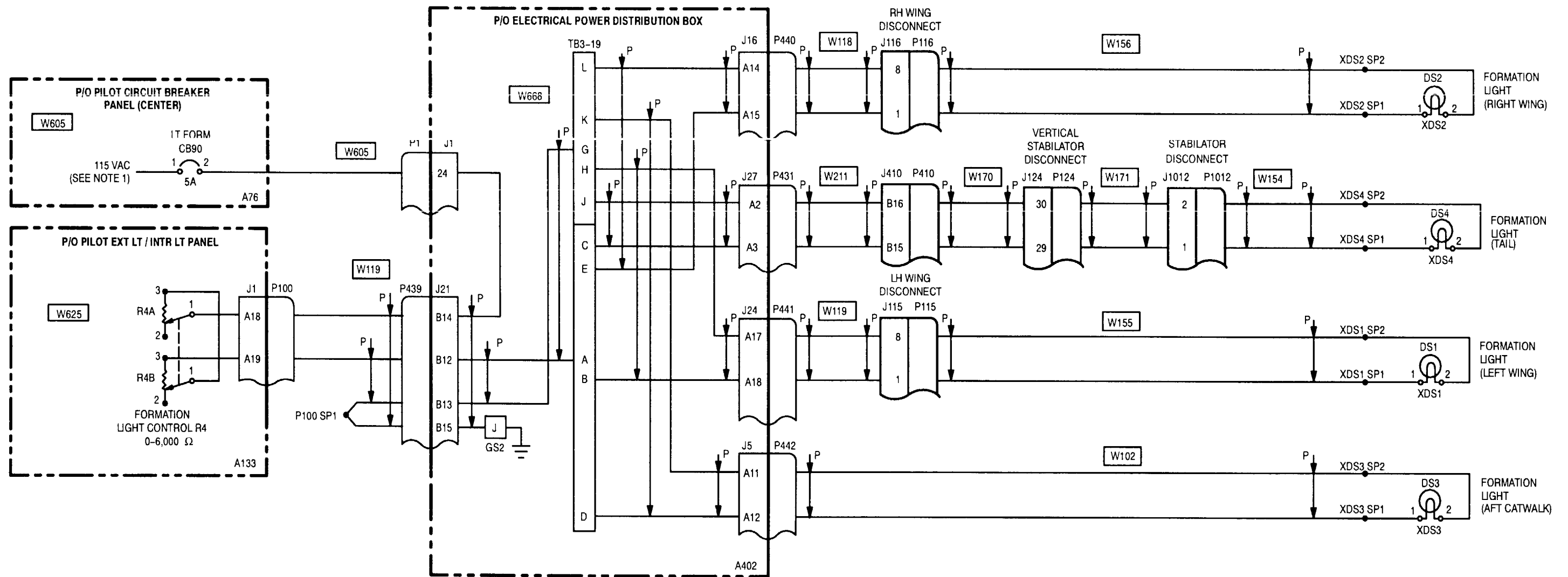
- NOTES:
1. REFER TO PARAGRAPH 9-14. CIRCUIT PROTECTION (DC EMERGENCY BUS - PILOT STATION) - WIRING DIAGRAM.
 2. REFER TO PARAGRAPH 9-19. EDGE LIGHTS - WIRING DIAGRAM.

9-22. ANTI-COLLISION LIGHTS - WIRING DIAGRAM



NOTES:

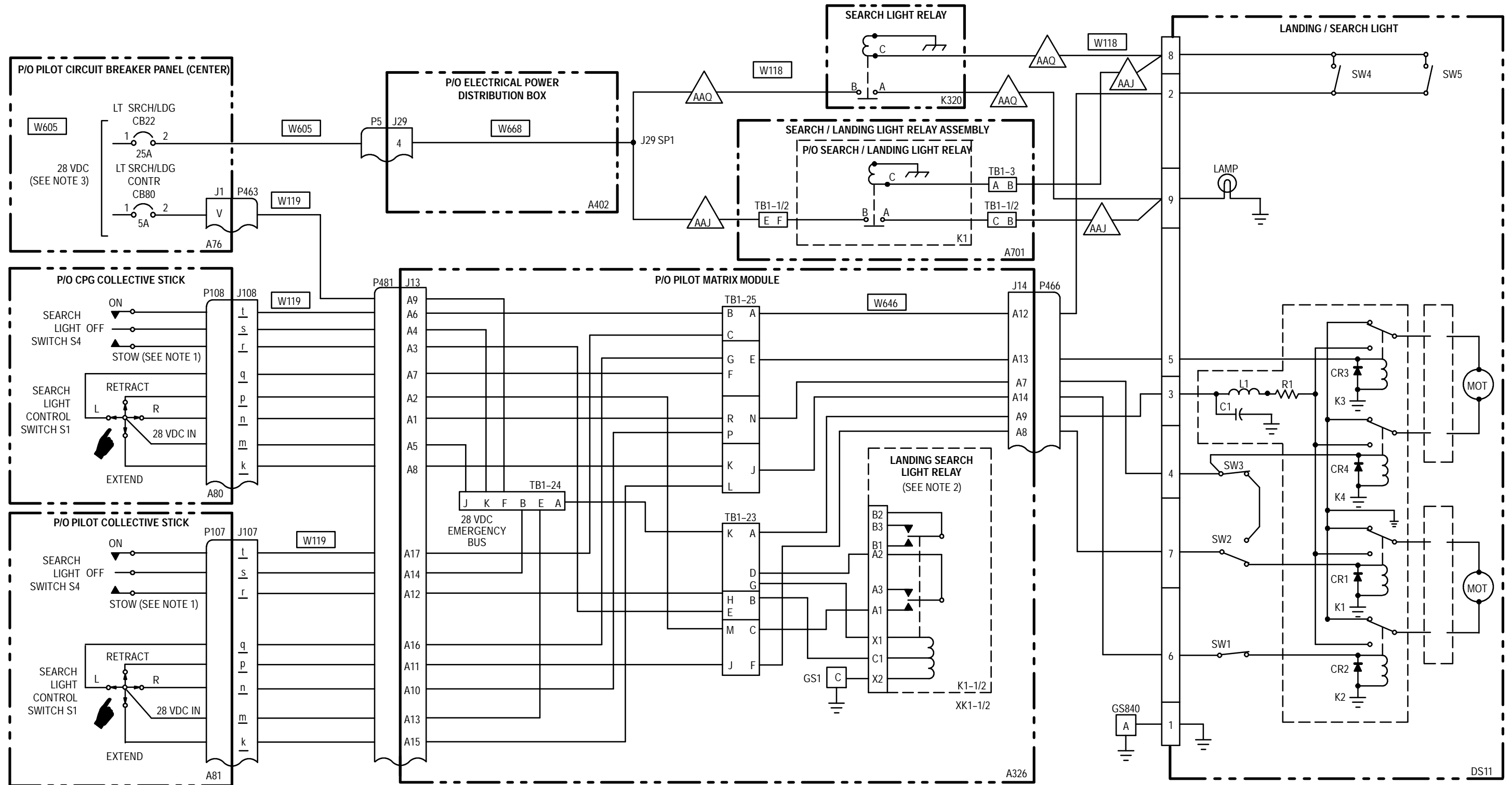
1. REFER TO PARAGRAPH 9-5. (AC ESSENTIAL BUS 1 - CIRCUIT PROTECTION - PILOT STATION) - WIRING DIAGRAM.
2. REFER TO PARAGRAPH 9-11. CIRCUIT PROTECTION (DC ESSENTIAL BUS 2 - PILOT STATION) - WIRING DIAGRAM.



NOTES:

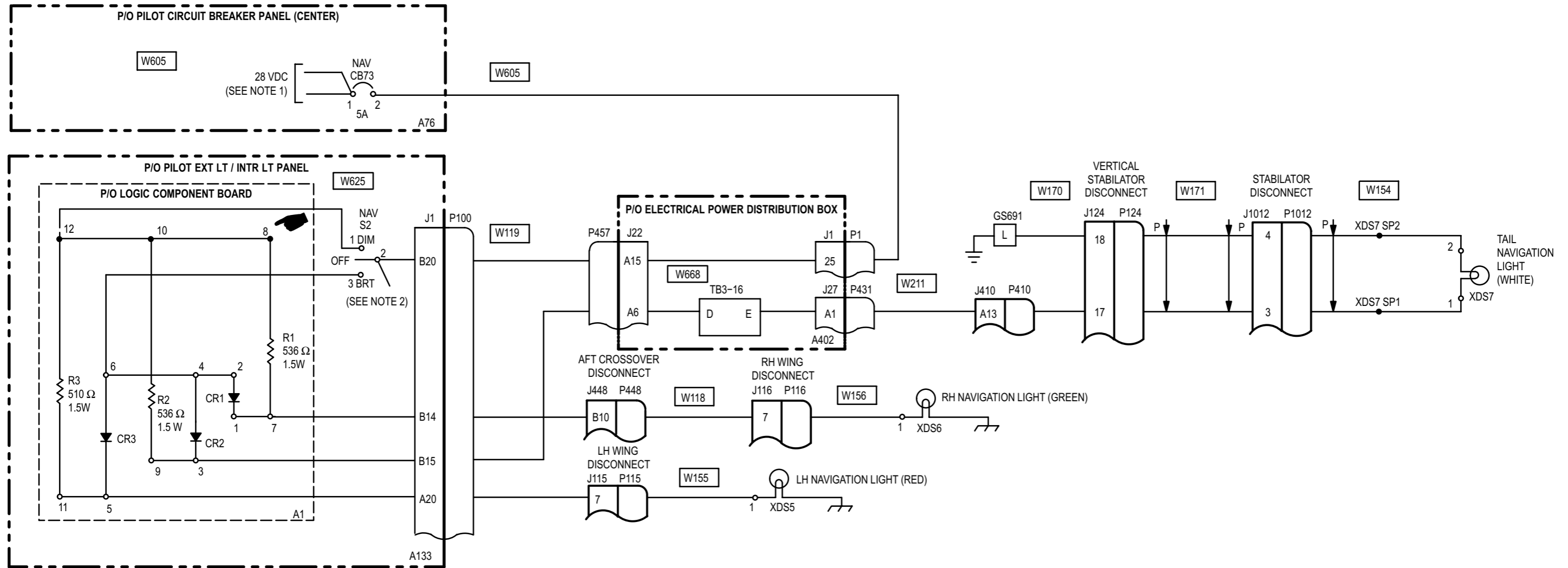
1. REFER TO PARAGRAPH 9-5. CIRCUIT PROTECTION (AC ESSENTIAL BUS 1 - PILOT STATION) - WIRING DIAGRAM.

9-24. LANDING/SEARCH LIGHT - WIRING DIAGRAM



- NOTES:
1. MOMENTARY POSITION.
 2. 60-SECOND TIME DELAY RELEASE.
 3. REFER TO PARAGRAPH 9-14. CIRCUIT PROTECTION (DC EMERGENCY BUS - PILOT STATION) - WIRING DIAGRAM.

9-25. NAVIGATION LIGHTS - WIRING DIAGRAM

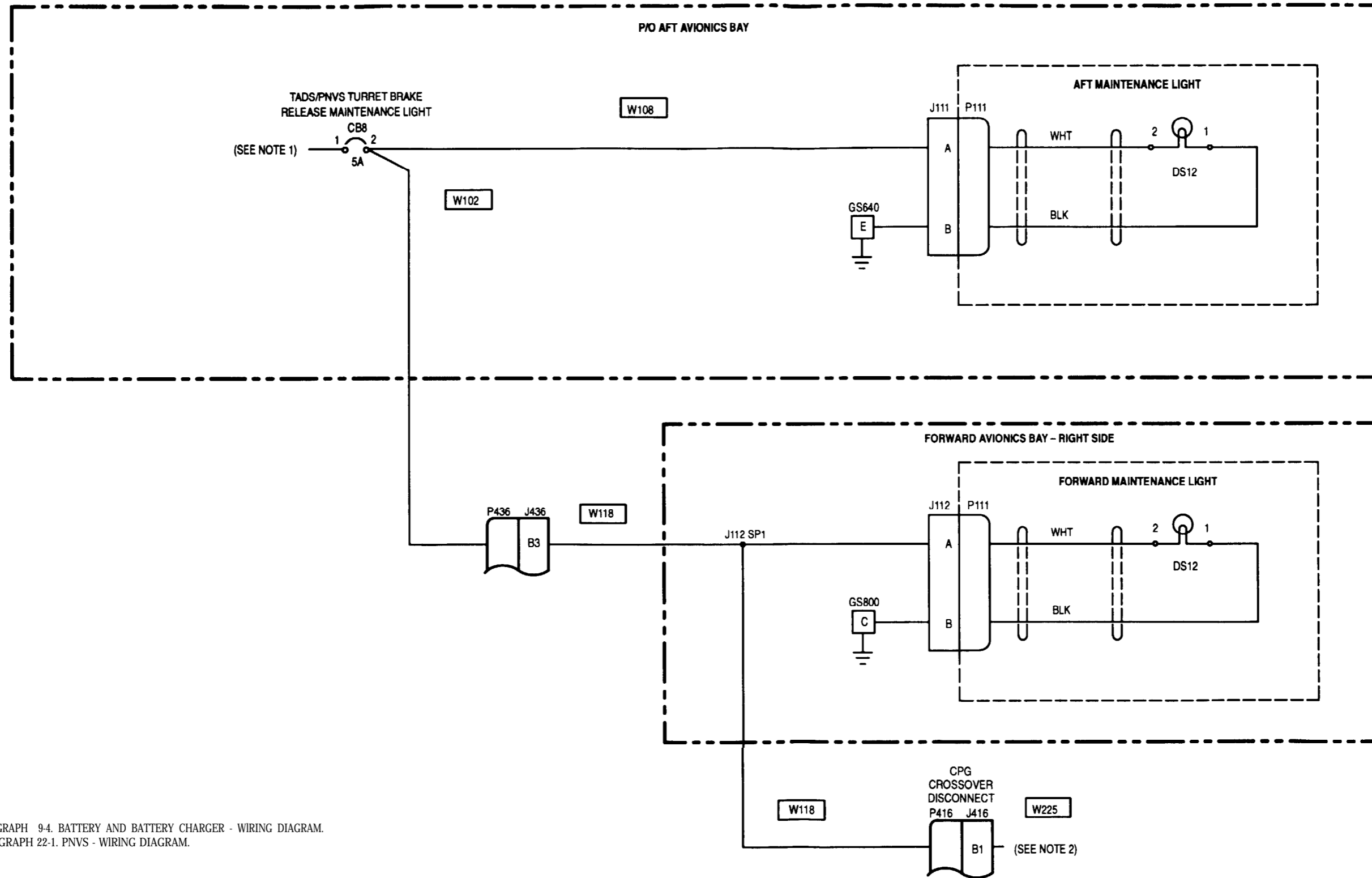


NOTES:

1. REFER TO PARAGRAPH 9-11. CIRCUIT PROTECTION (DC ESSENTIAL BUS 2 - PILOT STATION) - WIRING DIAGRAM.
2. REFER TO PARAGRAPH 9-22. ANTI-COLLISION LIGHTS - WIRING DIAGRAM.

9-26. MAINTENANCE LIGHTS - WIRING DIAGRAM

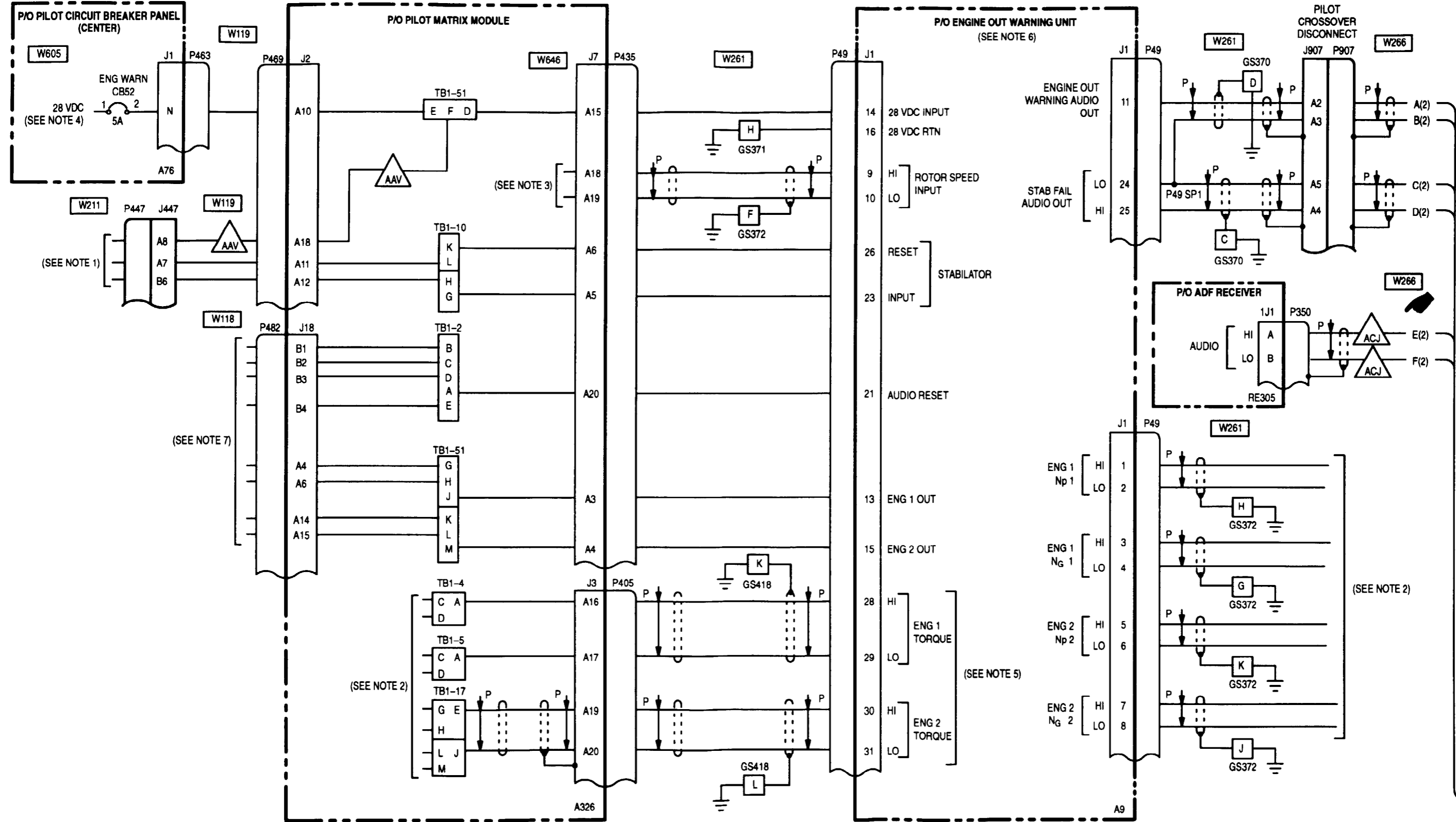
9-26



NOTES:

1. REFER TO PARAGRAPH 9-4. BATTERY AND BATTERY CHARGER - WIRING DIAGRAM.
2. REFER TO PARAGRAPH 22-1. PNVS - WIRING DIAGRAM.

9-27. AUDIO WARNING -WIRING DIAGRAM

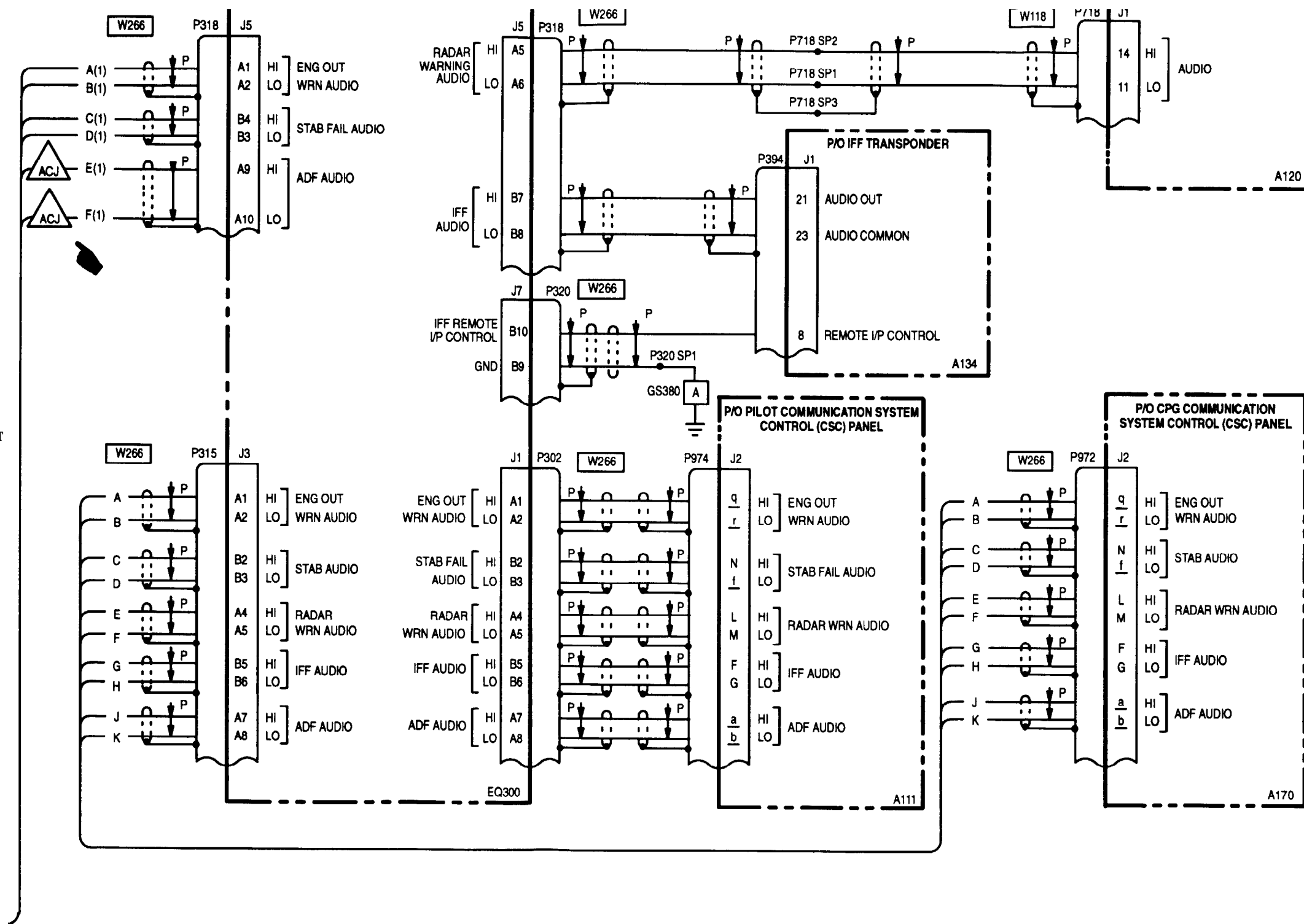


9-27. AUDIO WARNING - WIRING DIAGRAM (cont)

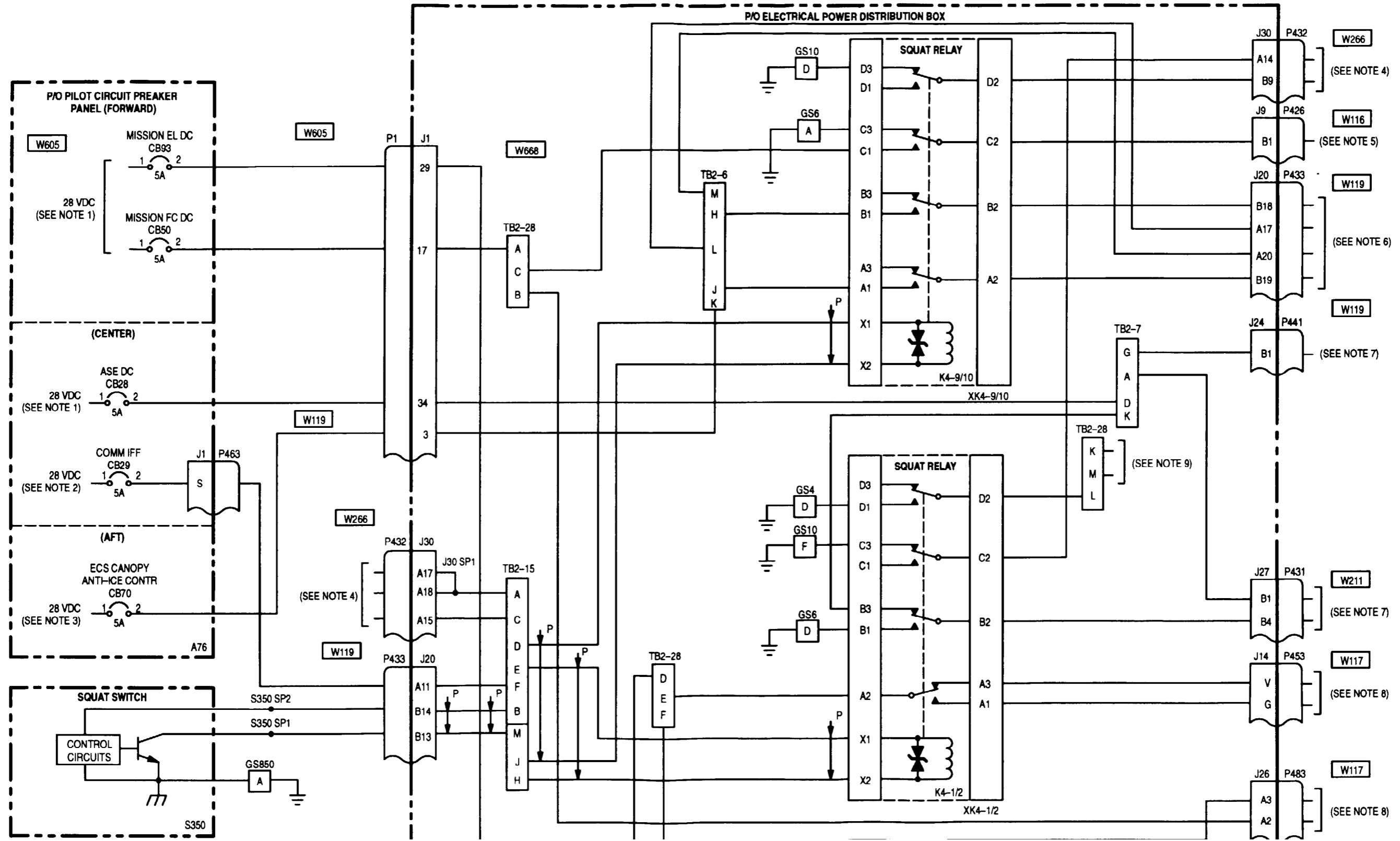
9-27

NOTES:

1. REFER TO PARAGRAPH 12-4. STABILATOR - WIRING DIAGRAM.
2. REFER TO PARAGRAPH 18-1. ENGINE INSTRUMENT - WIRING DIAGRAM.
3. REFER TO PARAGRAPH 8-1. DRIVE SYSTEM - WIRING DIAGRAM.
4. REFER TO PARAGRAPH 9-14. CIRCUIT PROTECTION (D C EMERGENCY BUS - PILOT STATION) - WIRING DIAGRAM.
5. ENGINE TORQUE SIGNAL (OVER 100 FT/LBS 1 VDC) INHIBITS LOW N_p (POWER TURBINE SPEED) AUDIO WARNING SIGNAL.
5. ALL AUDIO OUT SIGNALS ARE FROM SAME AUDIO GENERATOR IN ENGINE OUT WARNING UNIT.
7. REFER TO PARAGRAPH 9-18. CAUTION AND WARNING - WIRING DIAGRAM.



9-28. SQUAT SWITCH - WIRING DIAGRAM



NOTES:

1. REFER TO PARAGRAPH 9-12. CIRCUIT PROTECTION (DC ESSENTIAL BUS 3- PILOT STATION) - WIRING DIAGRAM.
2. REFER TO PARAGRAPH 9-14. CIRCUIT PROTECTION (DC EMERGENCY BUS - PILOT STATION) - WIRING DIAGRAM.
3. REFER TO PARAGRAPH 9-9. CIRCUIT PROTECTION (DC ESSENTIAL BUS 1- PILOT STATION) - WIRING DIAGRAM.
4. REFER TO PARAGRAPH 16-1. IFF - WIRING DIGRAM.
5. REFER TO PARAGRAPH 4-1. AREA WEAPON SYSTEM (aws) - WIRING DIAGRAM.
6. REFER TO PARAGRAPH 25-7. TADS/PNVS ANTI-ICE CONTROL - WIRING DIAGRAM.
7. REFER TO PARAGRAPH 12-1. DASE - WIRING DIAGRAM (BUCS DEACTIVATED) (SERIAL NO. 82-23355 THRU 88-01 99)
OR PARAGRAPH 12-2. DASE - WIRING DIAGRAM (BUCS ACTIVATED) (SERIAL NO. 88 0200 AND SUBSEQUENT).
8. REFER TO PARAGRAPH 11-1. EXTERNAL STORES CONTROL - WIRING DIAGRAM.
9. REFER TO PARAGRAPH 9-1. AC ELECTRICAL POWER GENERATION - WIRING DIAGRAM.

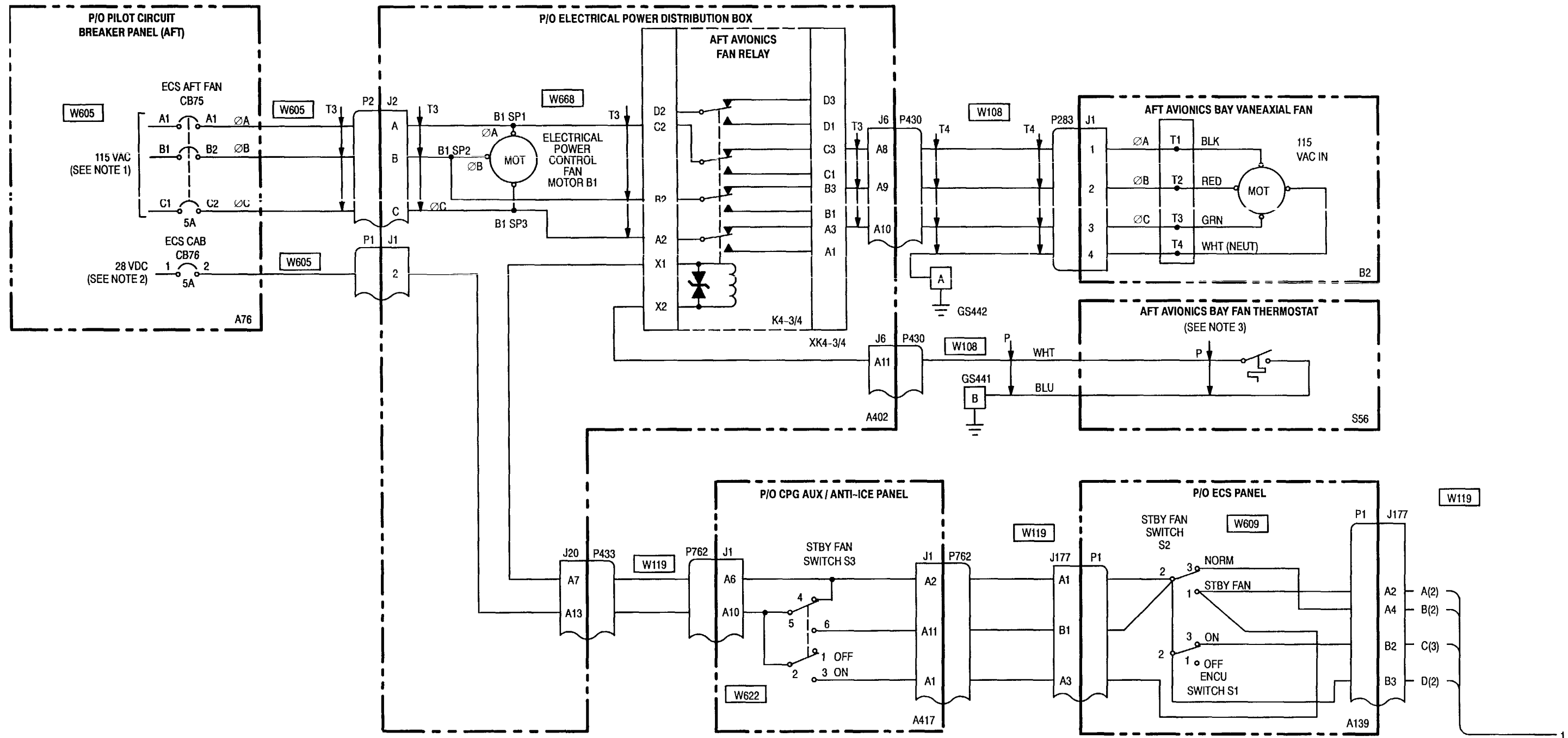
CHAPTER 10. ENVIRONMENTAL CONTROL SYSTEM (ECS) WIRING DIAGRAM

CHAPTER OVERVIEW

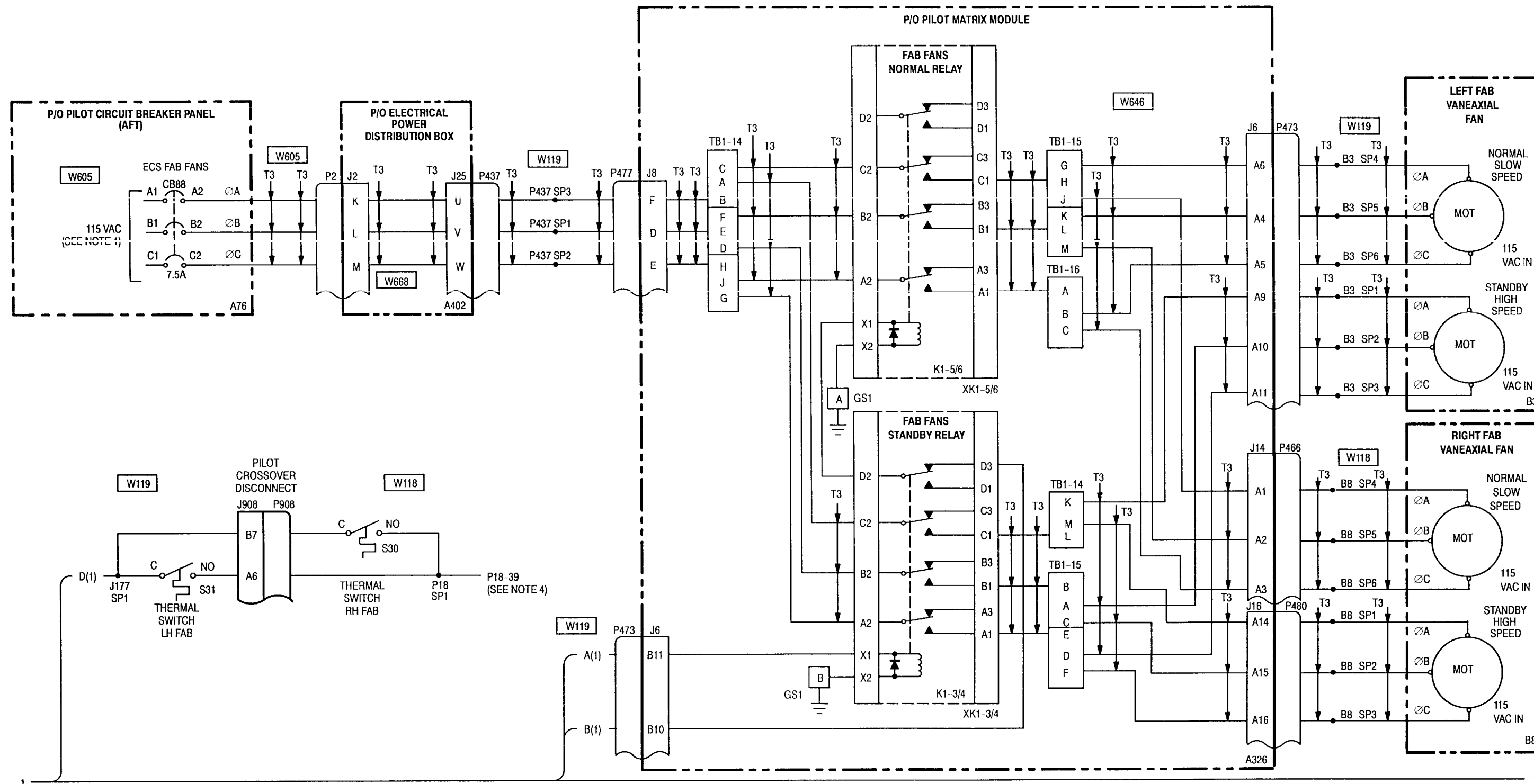
Chapter 10 contains the wiring diagram required for troubleshooting the environmental control system (ECS).

<u>Para Title</u>	<u>Para No.</u>
Environmental Control System (ECS) - Wiring Diagram	10-1

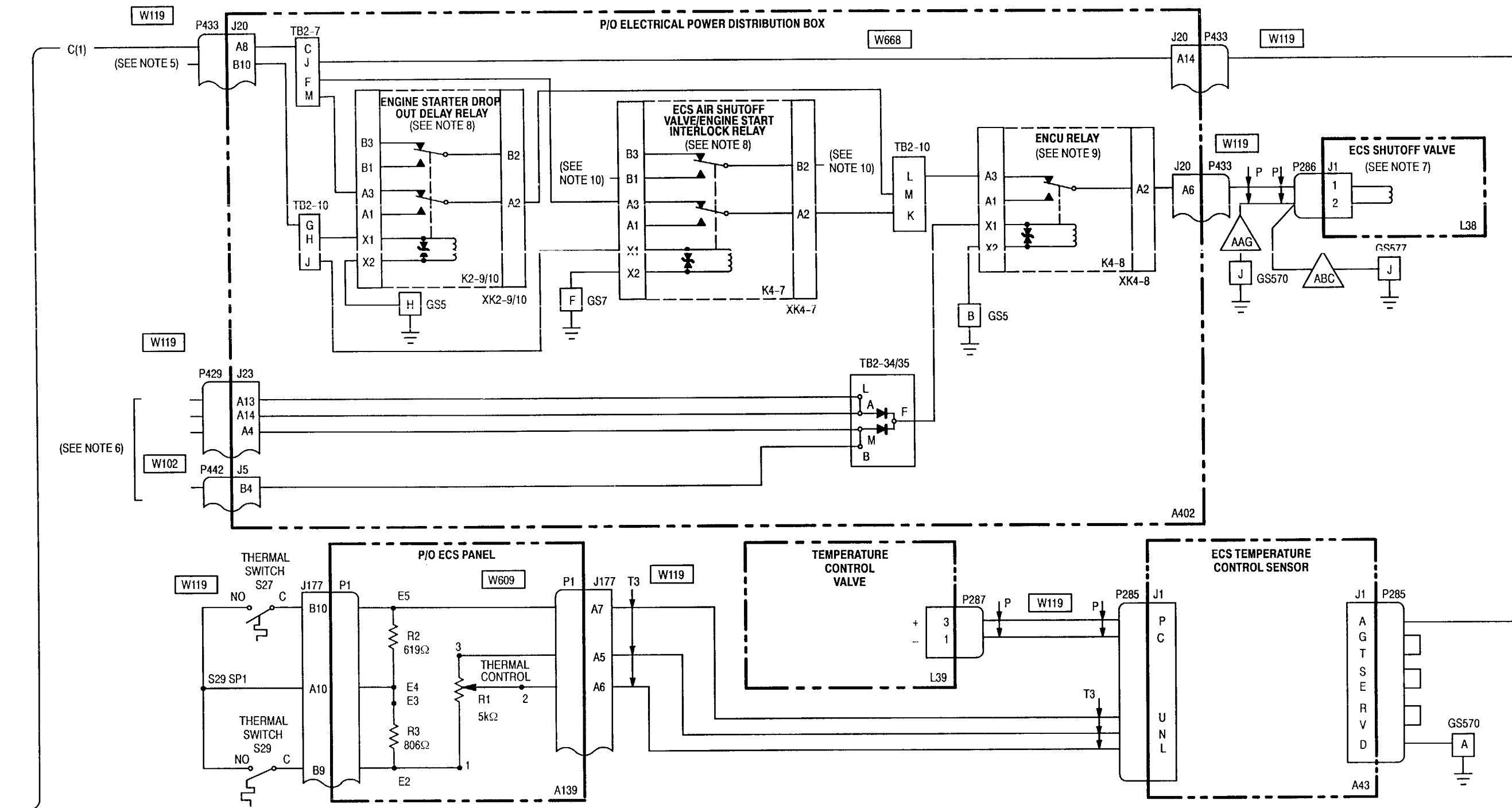
10-1. ENVIRONMENTAL CONTROL SYSTEM (ECS) – WIRING DIAGRAM



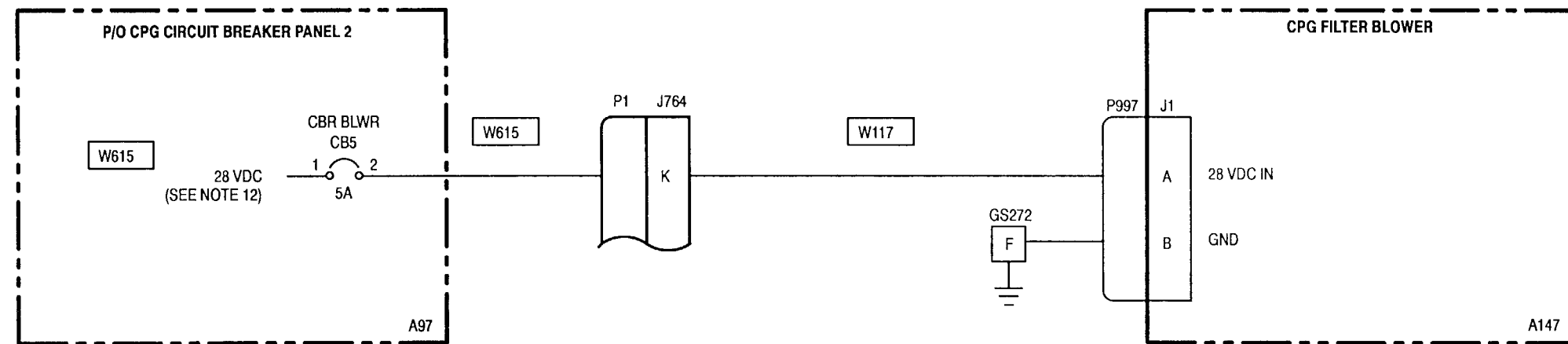
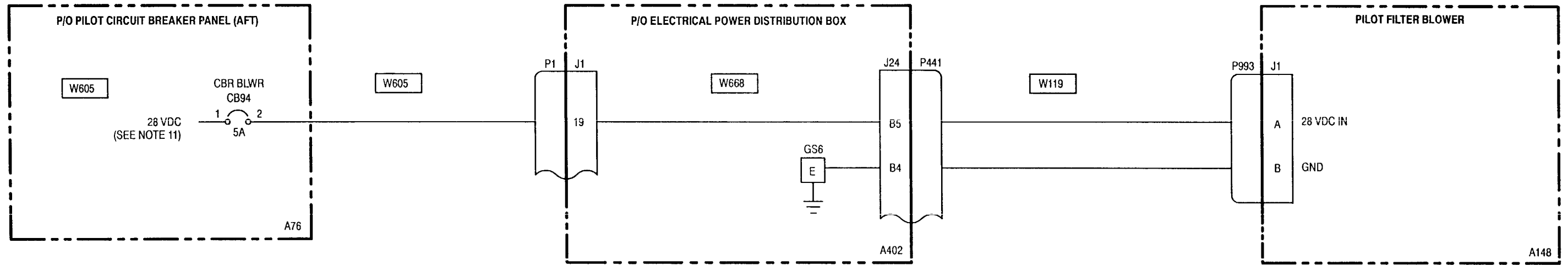
10-1. ENVIRONMENTAL CONTROL SYSTEM (ECS) - WIRING DIAGRAM (cont)



10-1. ENVIRONMENTAL CONTROL SYSTEM (ECS) - WIRING DIAGRAM (cont)



10-1 ENVIRONMENTAL CONTROL SYSTEM (ECS) – WIRING DIAGRAM (cont)



NOTES:

1. REFER TO PARAGRAPH 9-7. CIRCUIT PROTECTION (AC ESSENTIAL BUS 2 - PILOT STATION) - WIRING DIAGRAM.
2. REFER TO PARAGRAPH 9-14. CIRCUIT PROTECTION (DC EMERGENCY BUS - PILOT STATION) - WIRING DIAGRAM.
3. CLOSES AT 0° ± 10° OPENS AT 25° ± 10°.
4. REFER TO PARAGRAPH 9-18. CAUTION AND WARNING - WIRING DIAGRAM.
5. REFER TO PARAGRAPH 23-1. POWER PLANTS - WIRING DIAGRAM.
6. REFER TO PARAGRAPH 25-6. FIRE DETECTION AND EXTINGUISHING - WIRING DIAGRAM.
7. 28 VDC OPENS VALVE.
8. RELAYS ENERGIZED DURING ENGINE STARTING.
9. RELAY ENERGIZED WHEN FIRE PULL HANDLES ARE PULLED.
10. REFER TO PARAGRAPH 25-2. ENGINE ANTI-ICE - WIRING DIAGRAM.
11. REFER TO PARAGRAPH 9-9. CIRCUIT PROTECTION (DC ESSENTIAL BUS 1 - PILOT STATION) - WIRING DIAGRAM.
12. REFER TO PARAGRAPH 9-10. CIRCUIT PROTECTION (DC ESSENTIAL BUS 1 - CPG STATION) - WIRING DIAGRAM.

CHAPTER 11. EXTERNAL STORES WIRING DIAGRAM

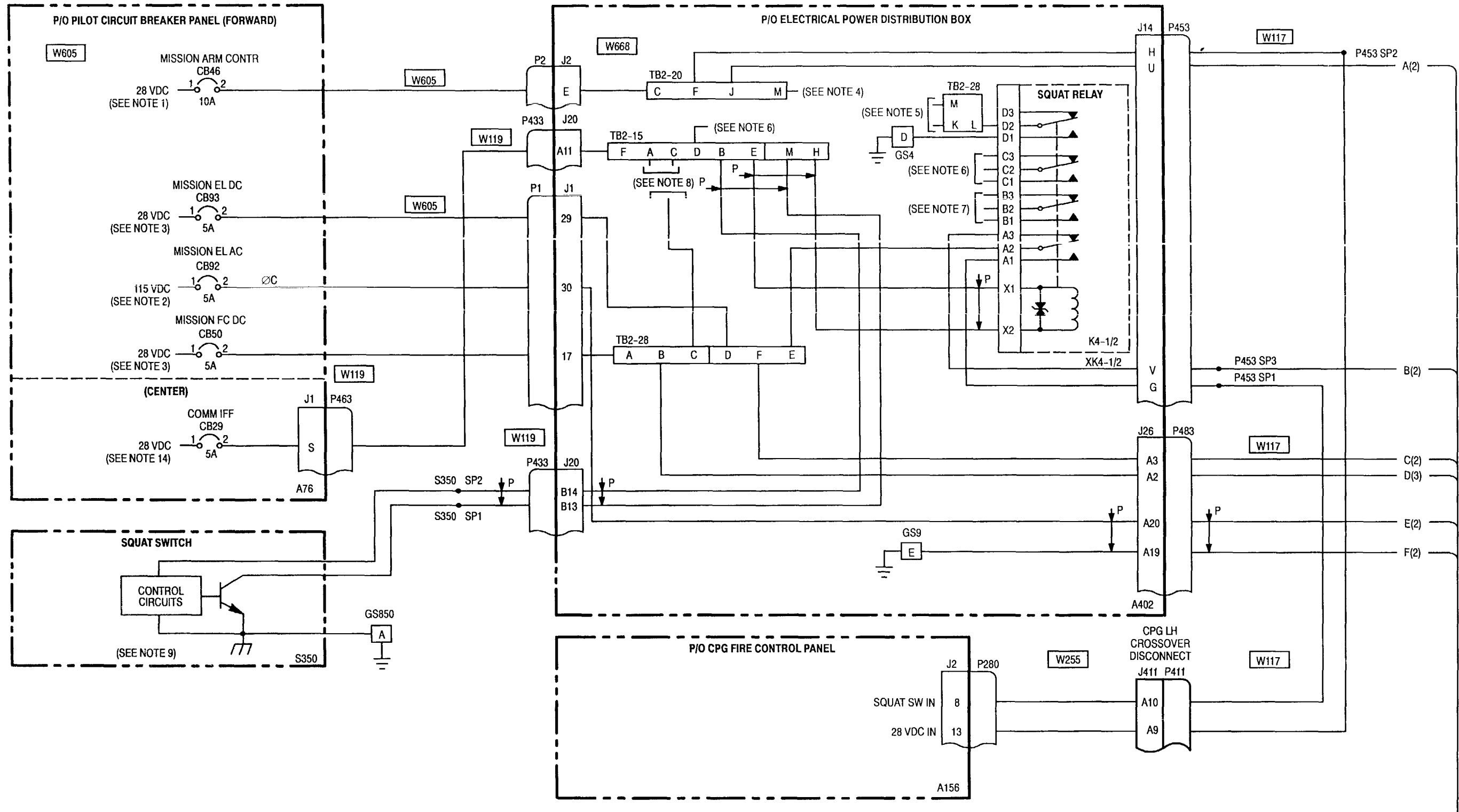
CHAPTER OVERVIEW

Chapter 11 contains wiring diagrams required for troubleshooting the external stores system.

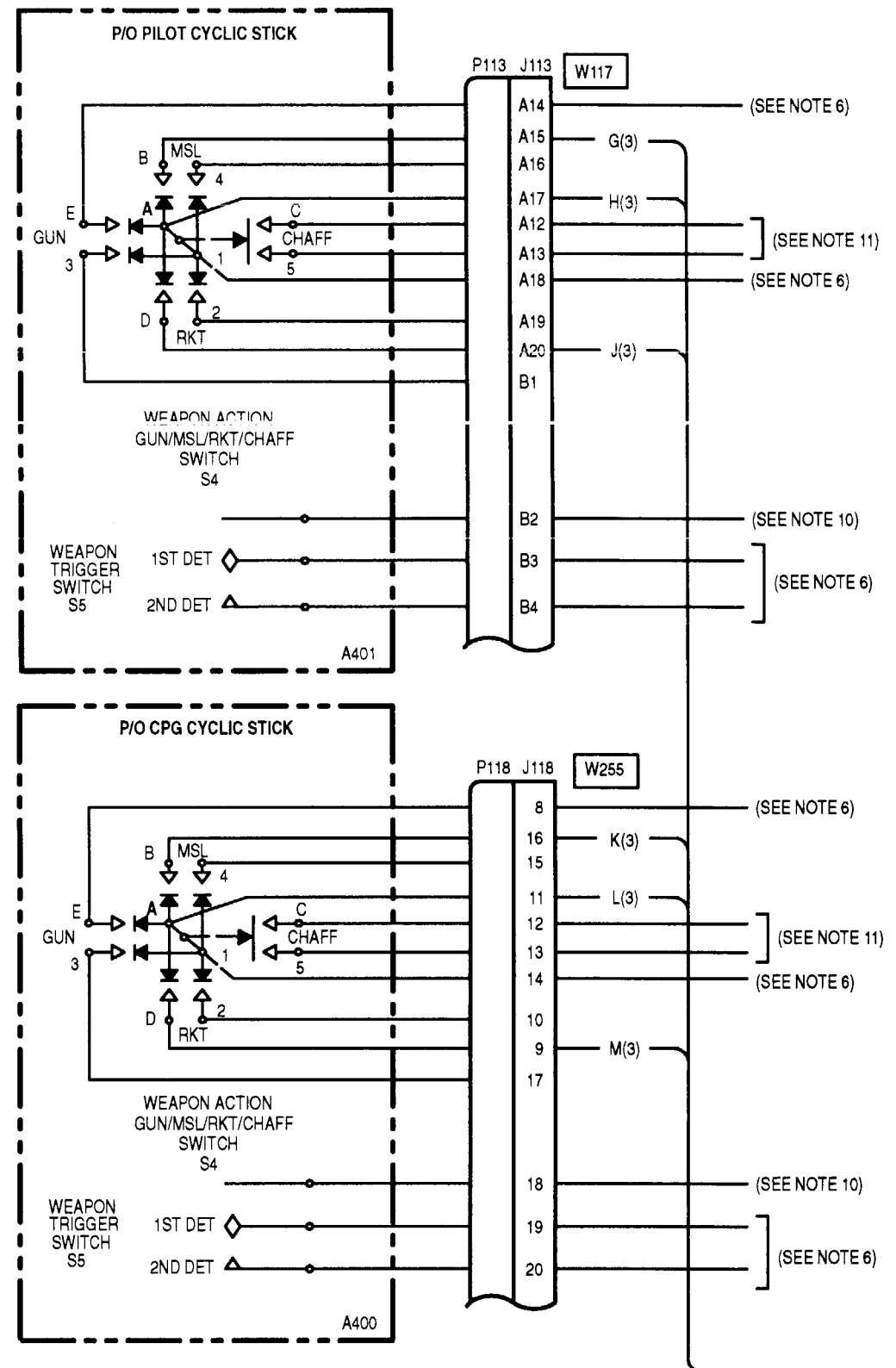
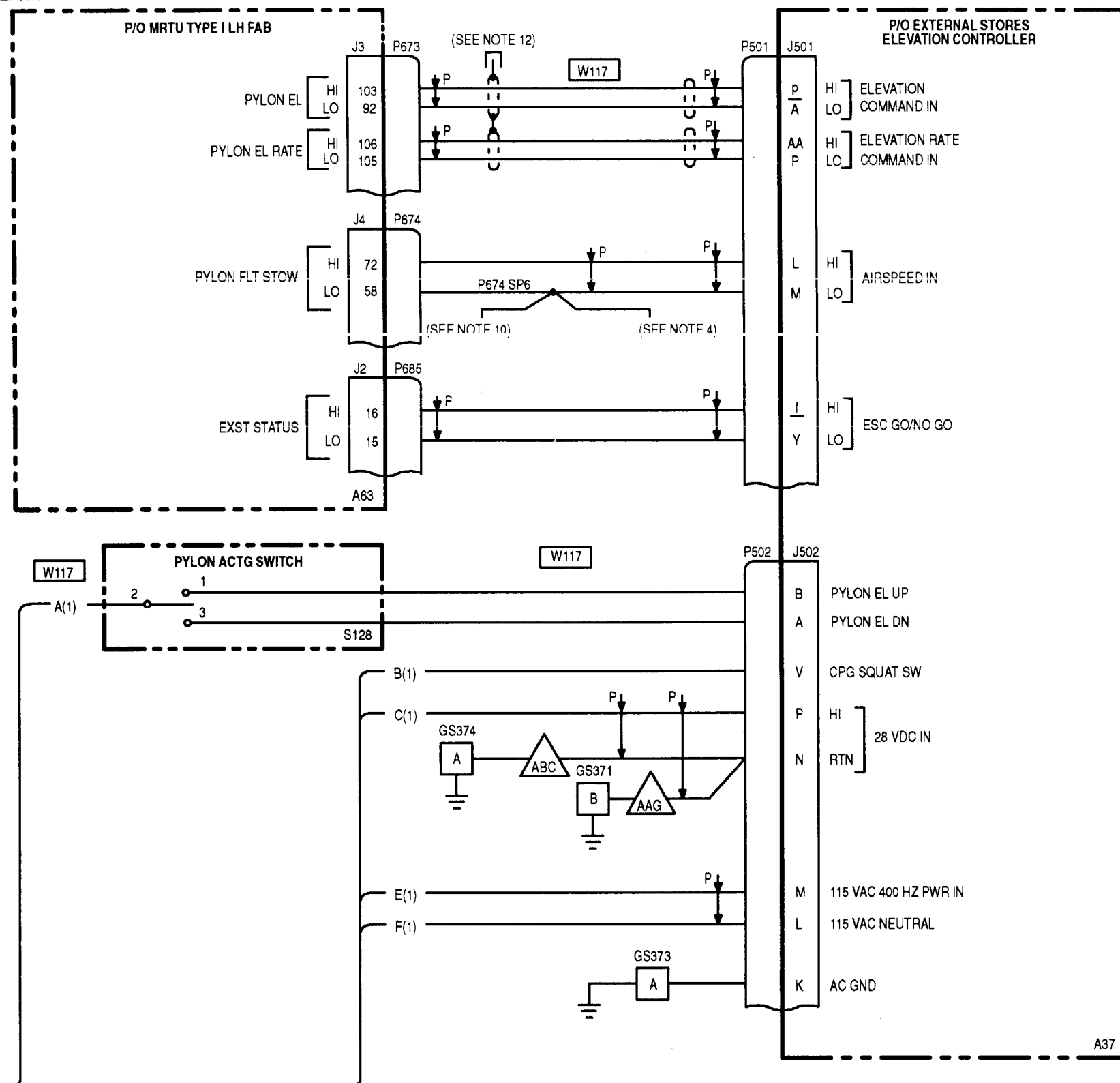
Chapter 11 is divided into the following paragraphs:

Para Title	Para No.
External Stores Control - Wiring Diagram	11-1
External Stores Jettison -Wiring Diagram	11-2

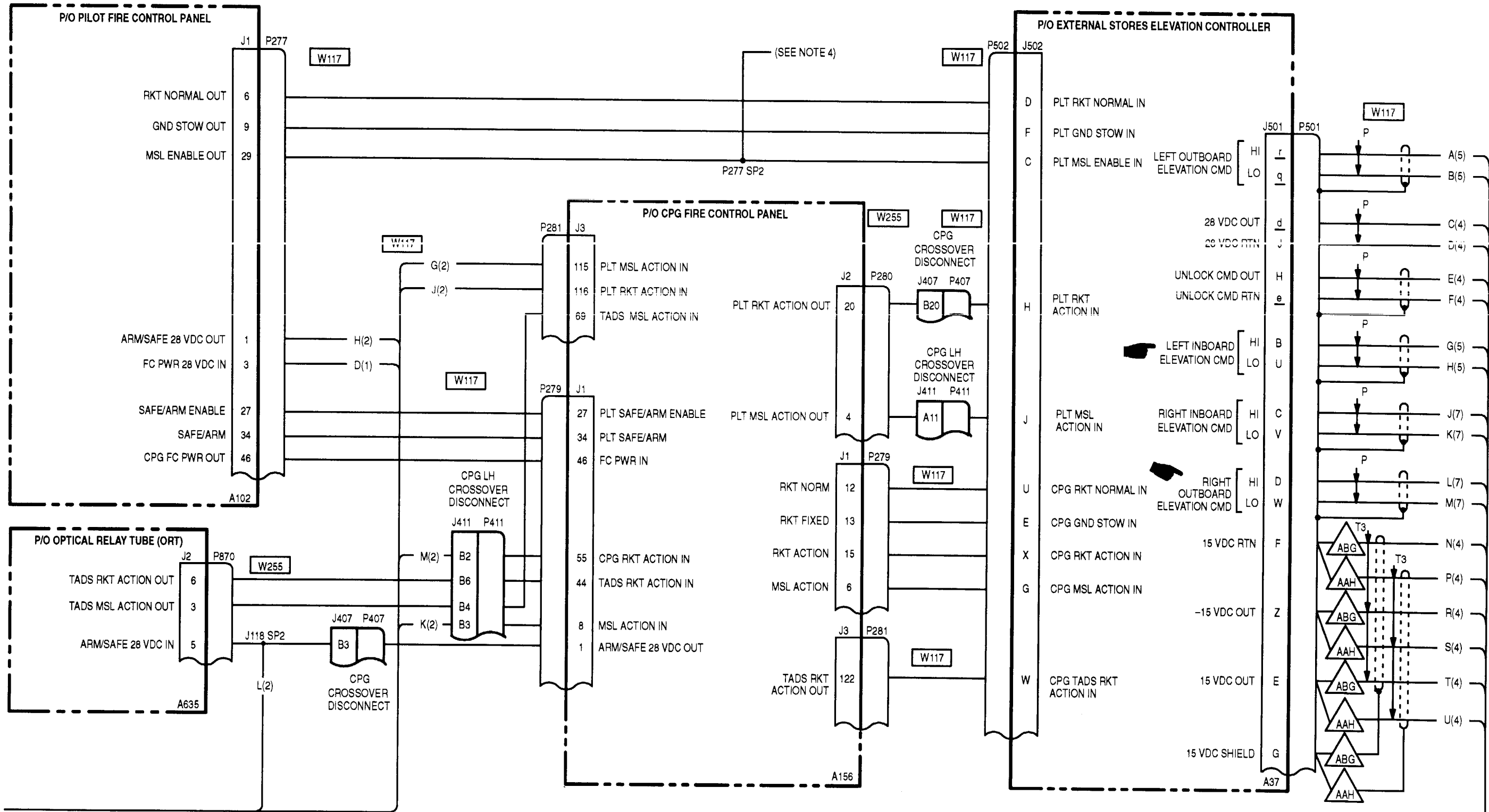
11-1. EXTERNAL STORES CONTROL - WIRING DIAGRAM



11-1. EXTERNAL STORES CONTROL - WIRING DIAGRAM (cont)

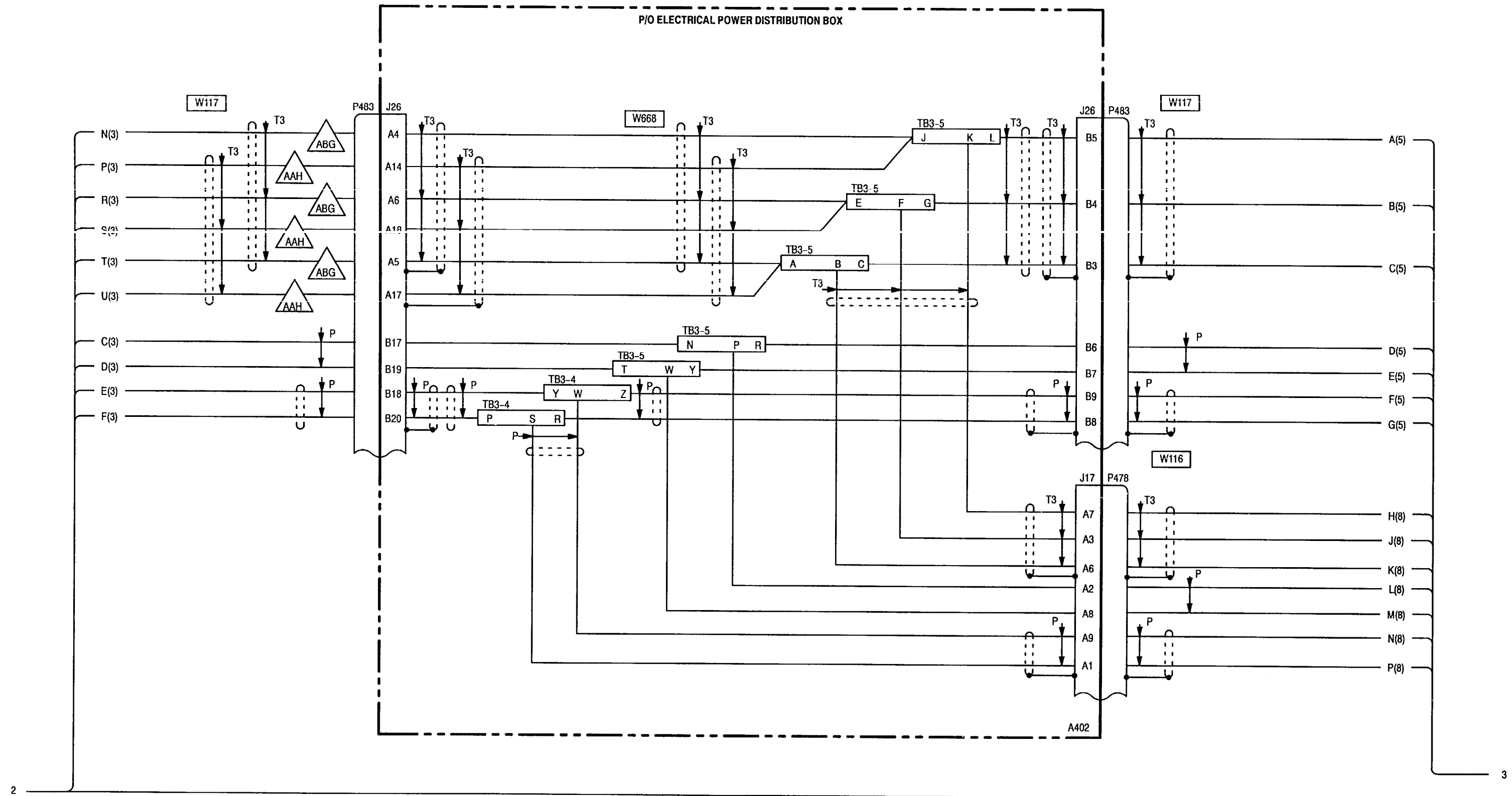


11-1. EXTERNAL STORES CONTROL - WIRING DIAGRAM (cont)



11-1. EXTERNAL STORES CONTROL - WIRING DIAGRAM (cont)

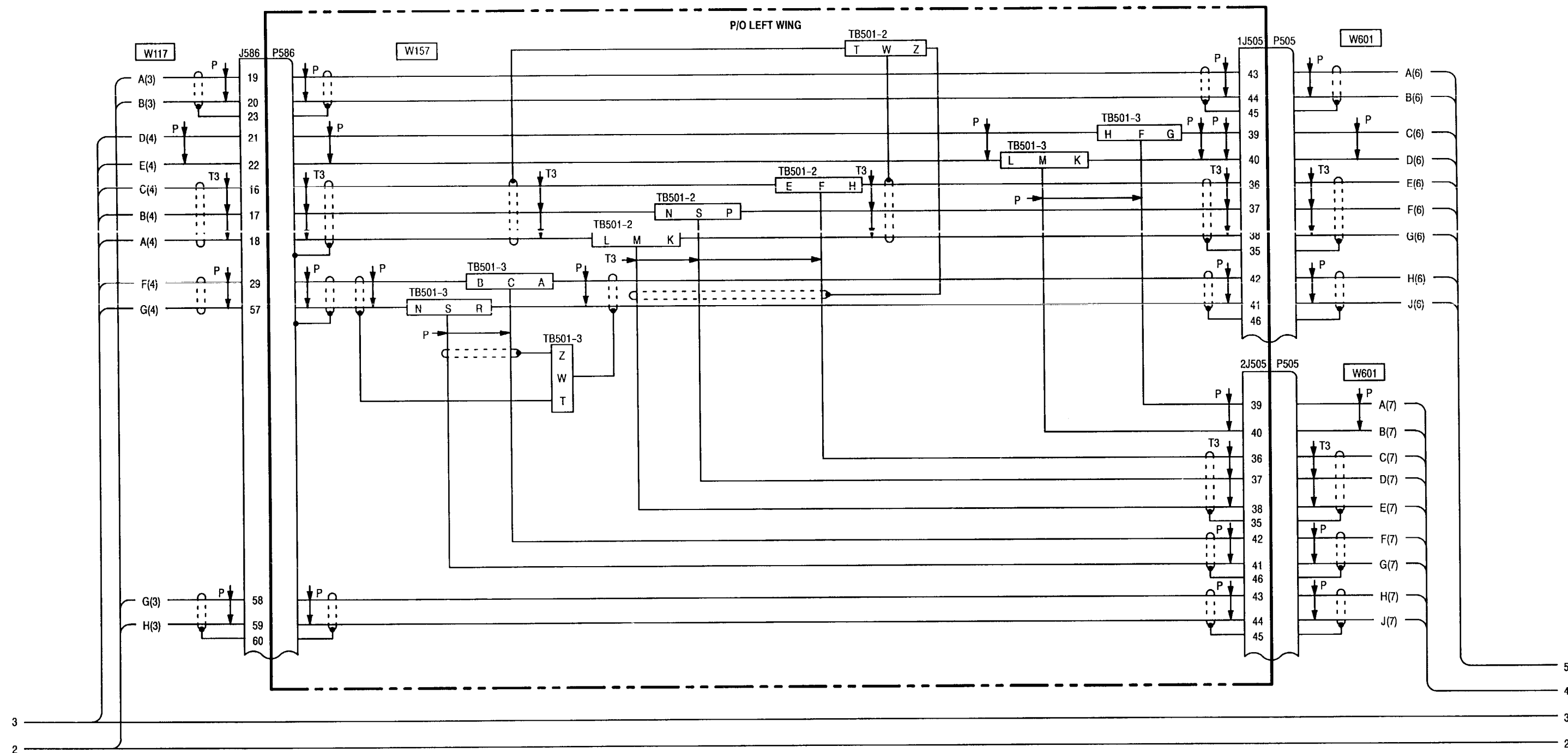
11-1



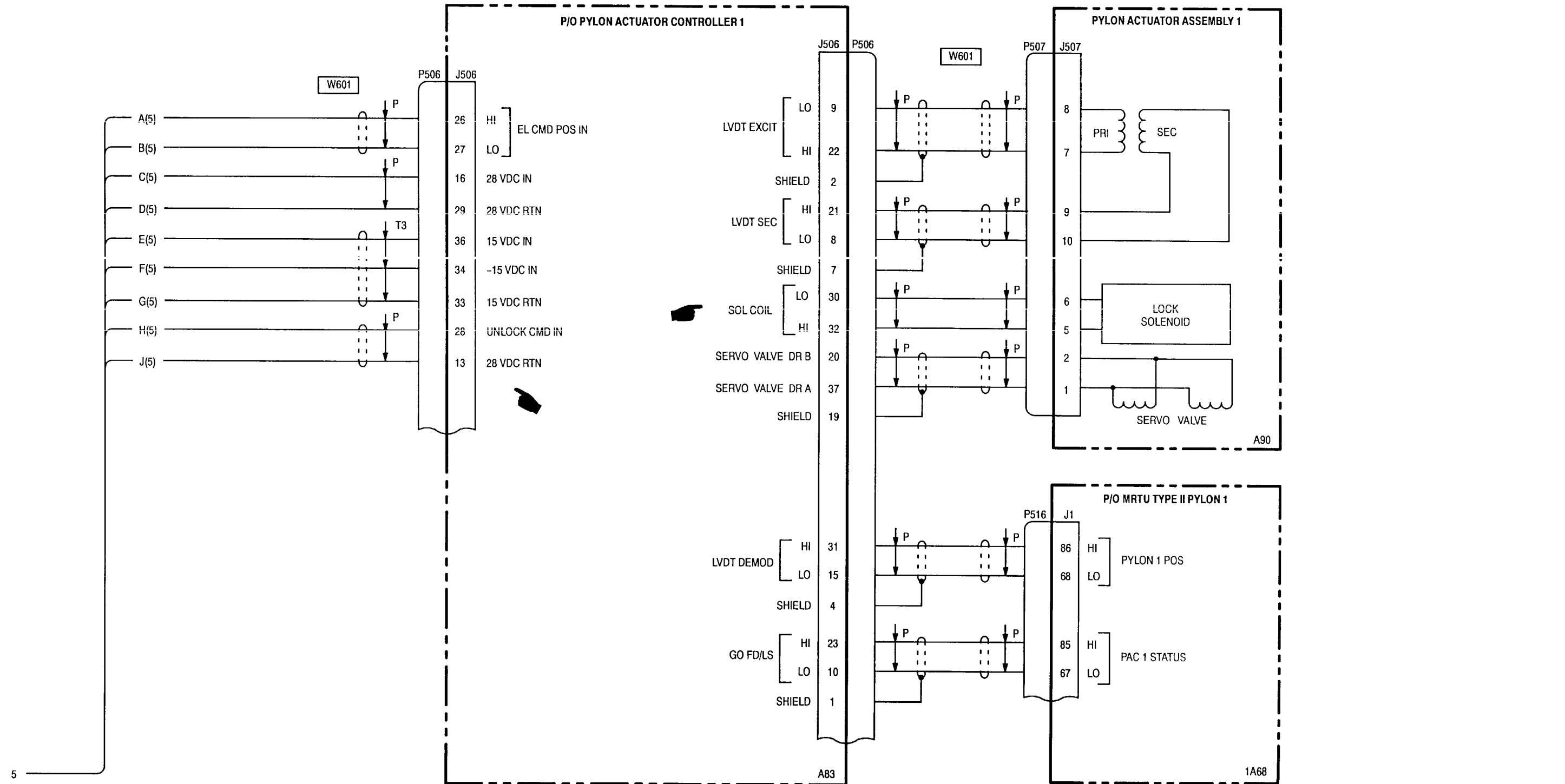
2

3

2



11-1. EXTERNAL STORES CONTROL - WIRING DIAGRAM (cont)



5

4

3

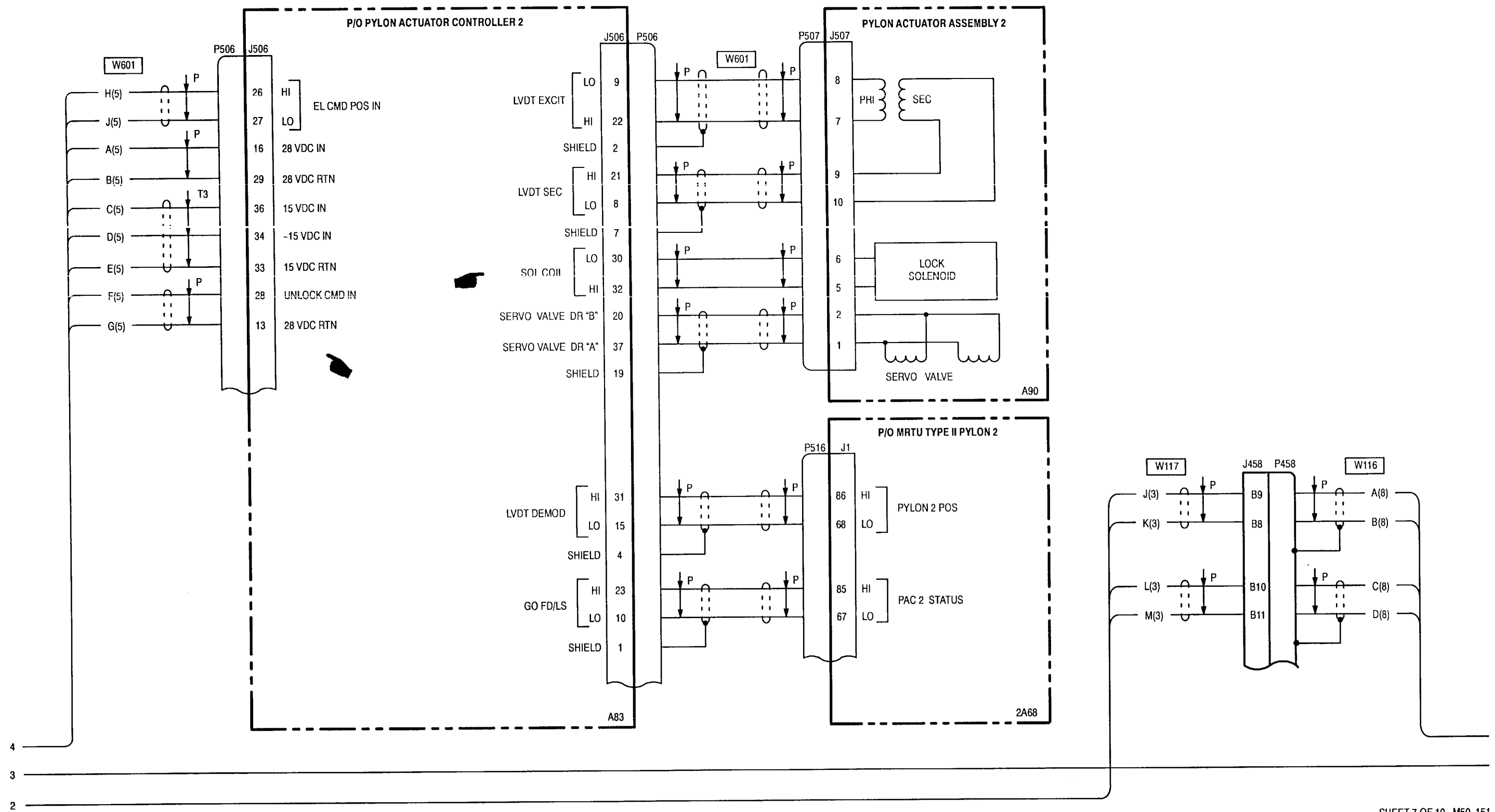
2

4

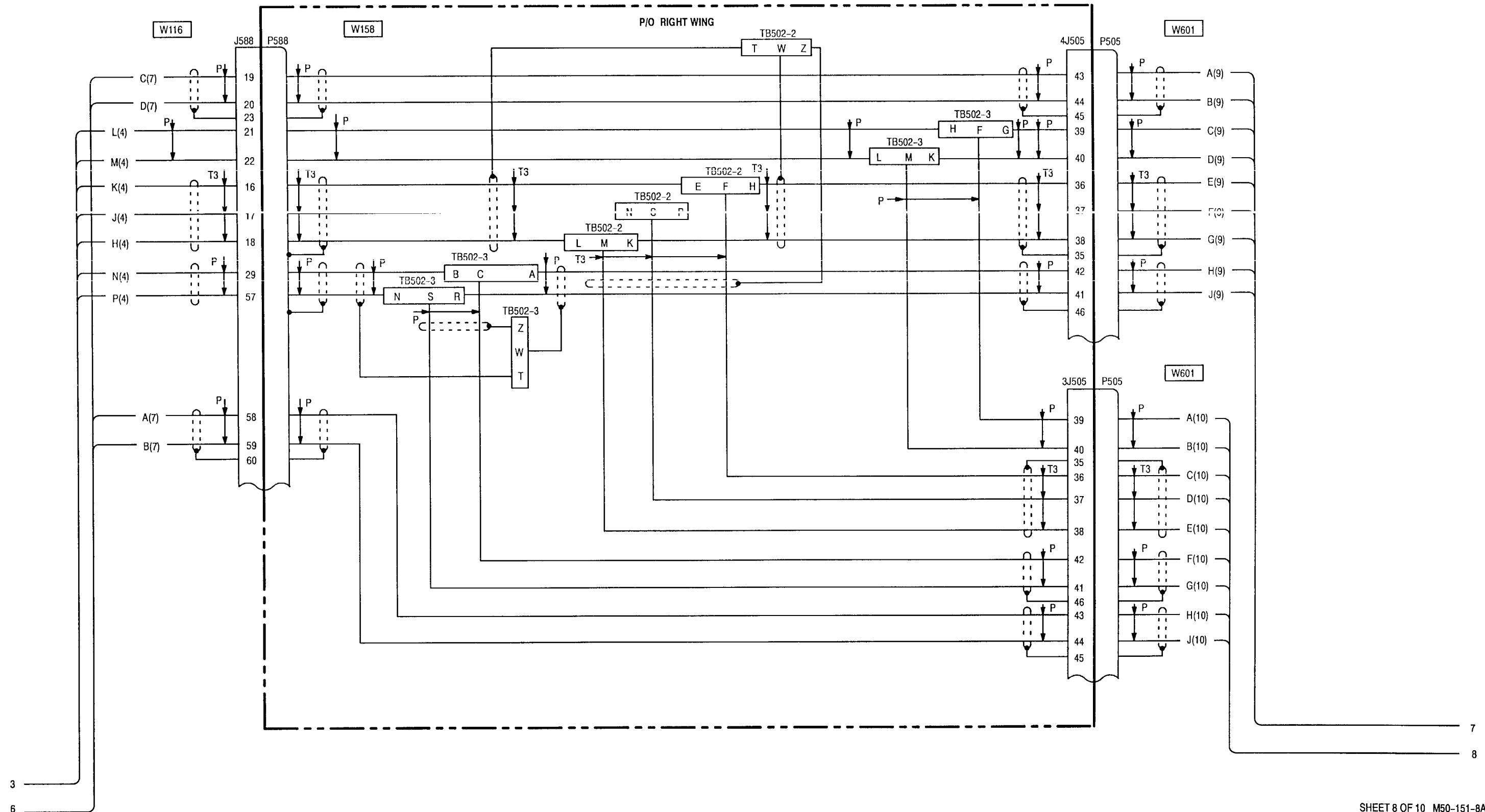
3

2

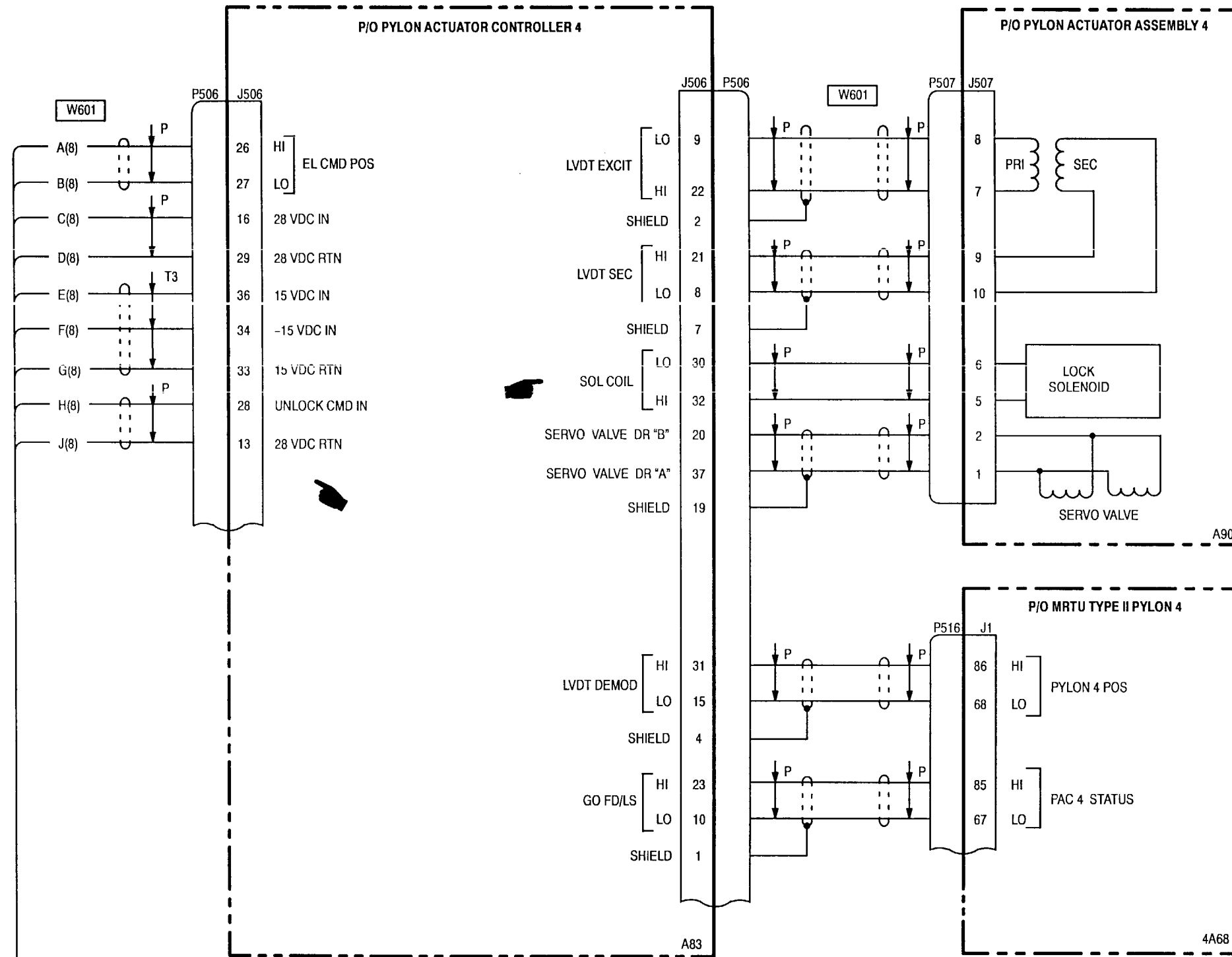
11-1. EXTERNAL STORES CONTROL - WIRING DIAGRAM (cont)



11-1. EXTERNAL STORES CONTROL - WIRING DIAGRAM (cont)



11-1. EXTERNAL STORES CONTROL - WIRING DIAGRAM (cont)

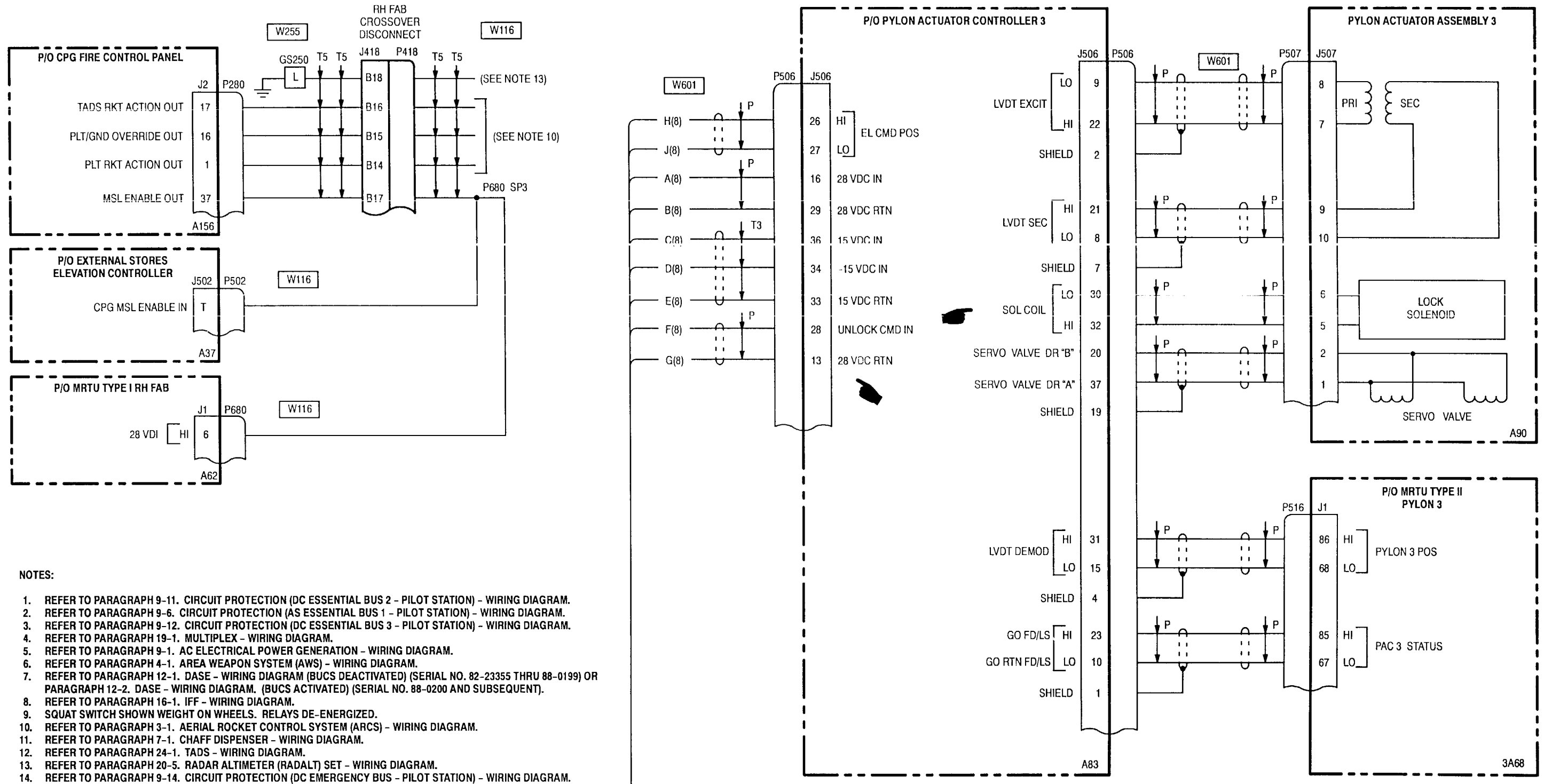


7

8

8

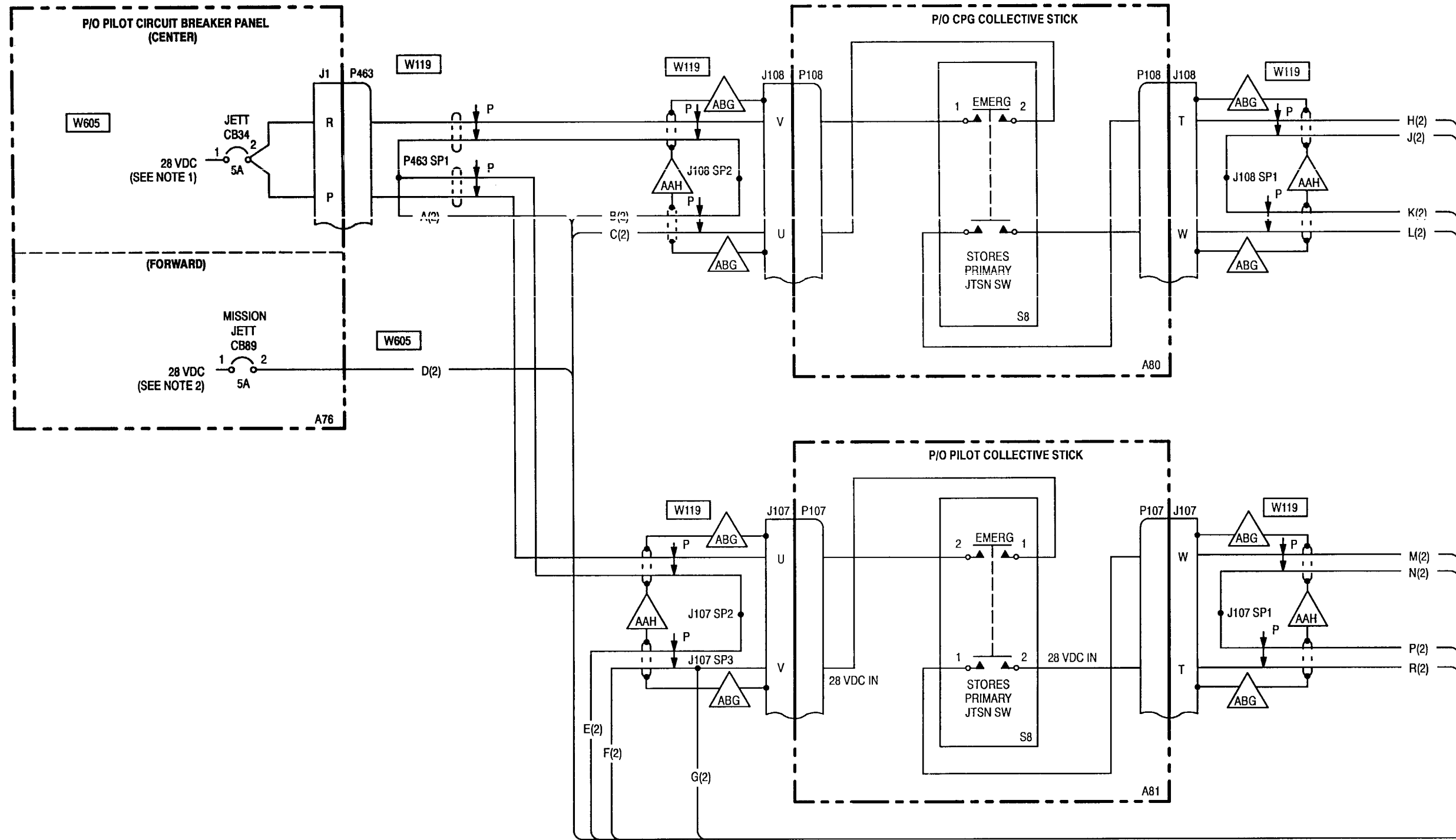
11-1. EXTERNAL STORES CONTROL - WIRING DIAGRAM (cont)



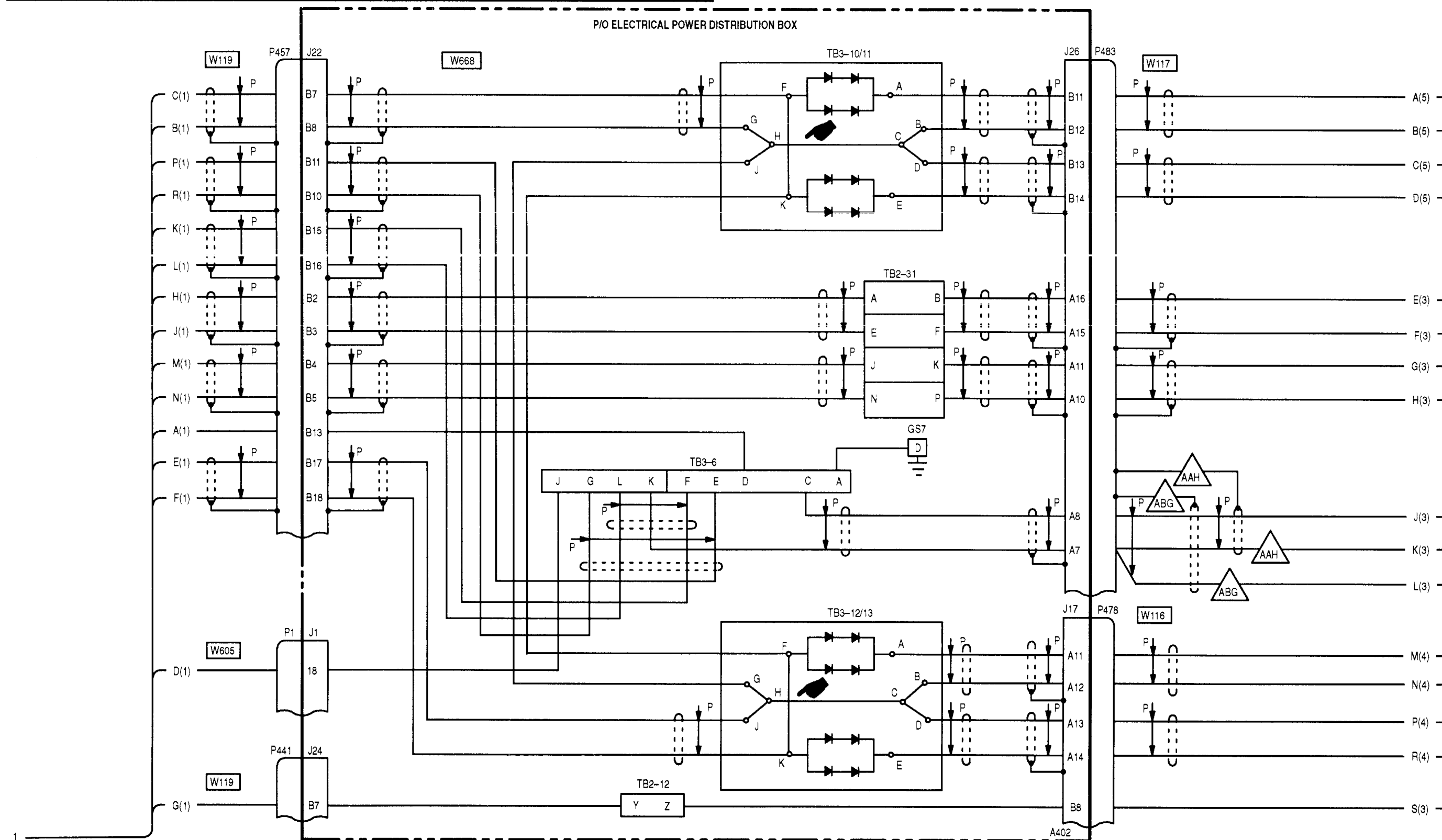
NOTES:

- REFER TO PARAGRAPH 9-11. CIRCUIT PROTECTION (DC ESSENTIAL BUS 2 - PILOT STATION) - WIRING DIAGRAM.
- REFER TO PARAGRAPH 9-6. CIRCUIT PROTECTION (AS ESSENTIAL BUS 1 - PILOT STATION) - WIRING DIAGRAM.
- REFER TO PARAGRAPH 9-12. CIRCUIT PROTECTION (DC ESSENTIAL BUS 3 - PILOT STATION) - WIRING DIAGRAM.
- REFER TO PARAGRAPH 19-1. MULTIPLEX - WIRING DIAGRAM.
- REFER TO PARAGRAPH 9-1. AC ELECTRICAL POWER GENERATION - WIRING DIAGRAM.
- REFER TO PARAGRAPH 4-1. AREA WEAPON SYSTEM (AWS) - WIRING DIAGRAM.
- REFER TO PARAGRAPH 12-1. DASE - WIRING DIAGRAM (BUCS DEACTIVATED) (SERIAL NO. 82-23355 THRU 88-0199) OR PARAGRAPH 12-2. DASE - WIRING DIAGRAM. (BUCS ACTIVATED) (SERIAL NO. 88-0200 AND SUBSEQUENT).
- REFER TO PARAGRAPH 16-1. IFF - WIRING DIAGRAM.
- SQUAT SWITCH SHOWN WEIGHT ON WHEELS. RELAYS DE-ENERGIZED.
- REFER TO PARAGRAPH 3-1. AERIAL ROCKET CONTROL SYSTEM (ARCS) - WIRING DIAGRAM.
- REFER TO PARAGRAPH 7-1. CHAFF DISPENSER - WIRING DIAGRAM.
- REFER TO PARAGRAPH 24-1. TADS - WIRING DIAGRAM.
- REFER TO PARAGRAPH 20-5. RADAR ALTIMETER (RADALT) SET - WIRING DIAGRAM.
- REFER TO PARAGRAPH 9-14. CIRCUIT PROTECTION (DC EMERGENCY BUS - PILOT STATION) - WIRING DIAGRAM.

11-2. EXTERNAL STORES JETTISON - WIRING DIAGRAM



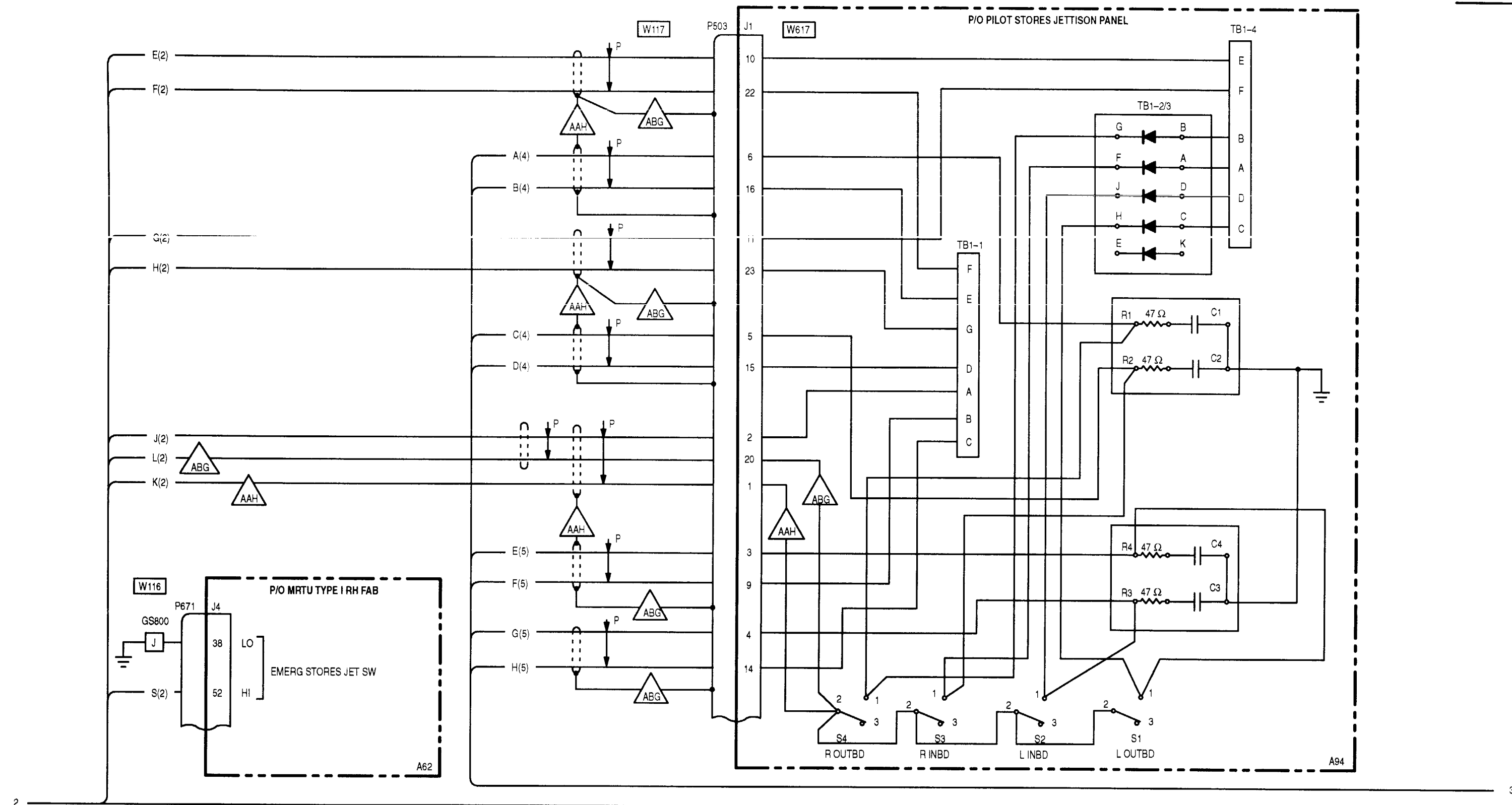
11-2. EXTERNAL STORES JETTISON - WIRING DIAGRAM (cont)



1

2

11-2. EXTERNAL STORES JETTISON - WIRING DIAGRAM (cont)

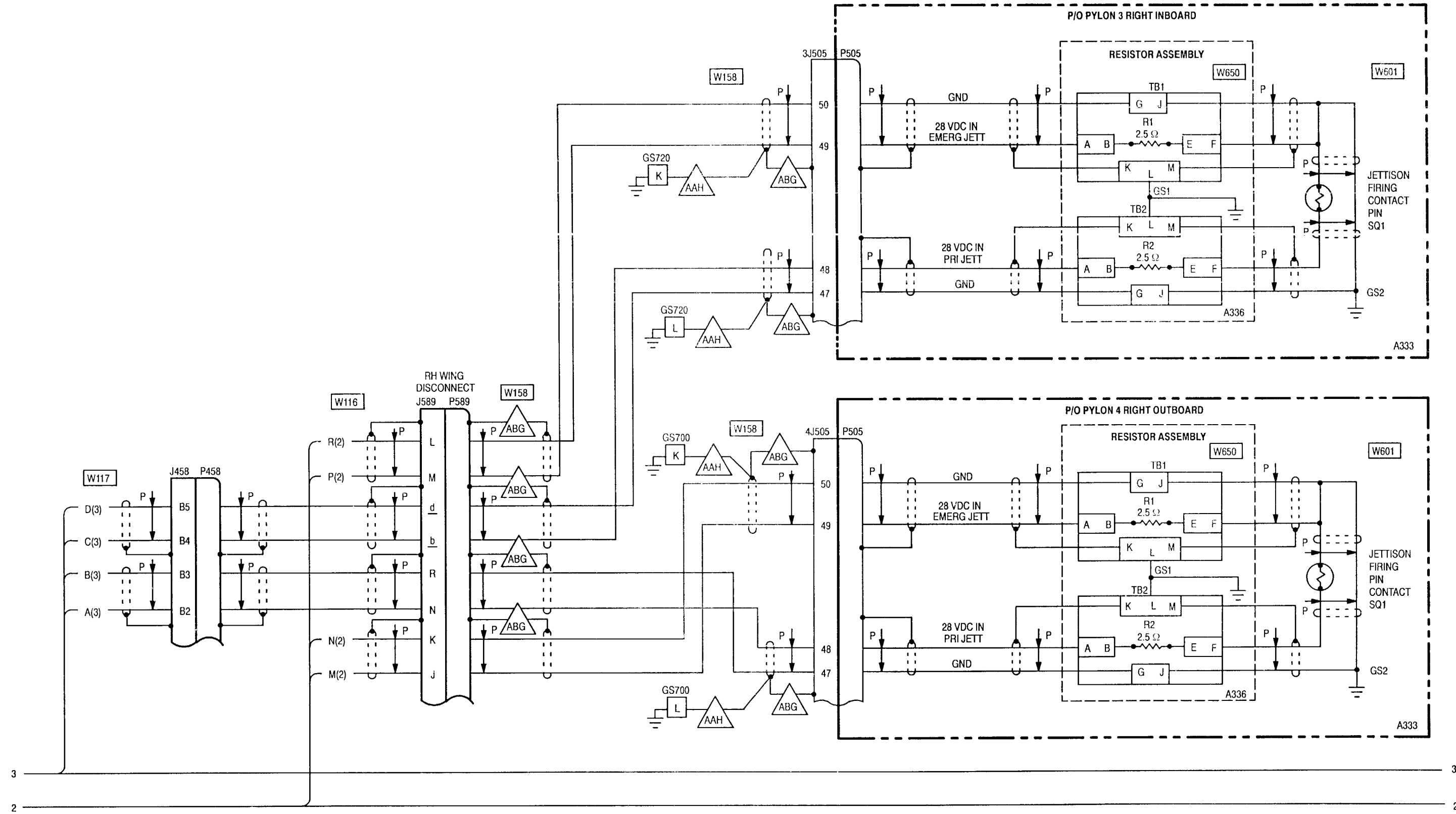


2

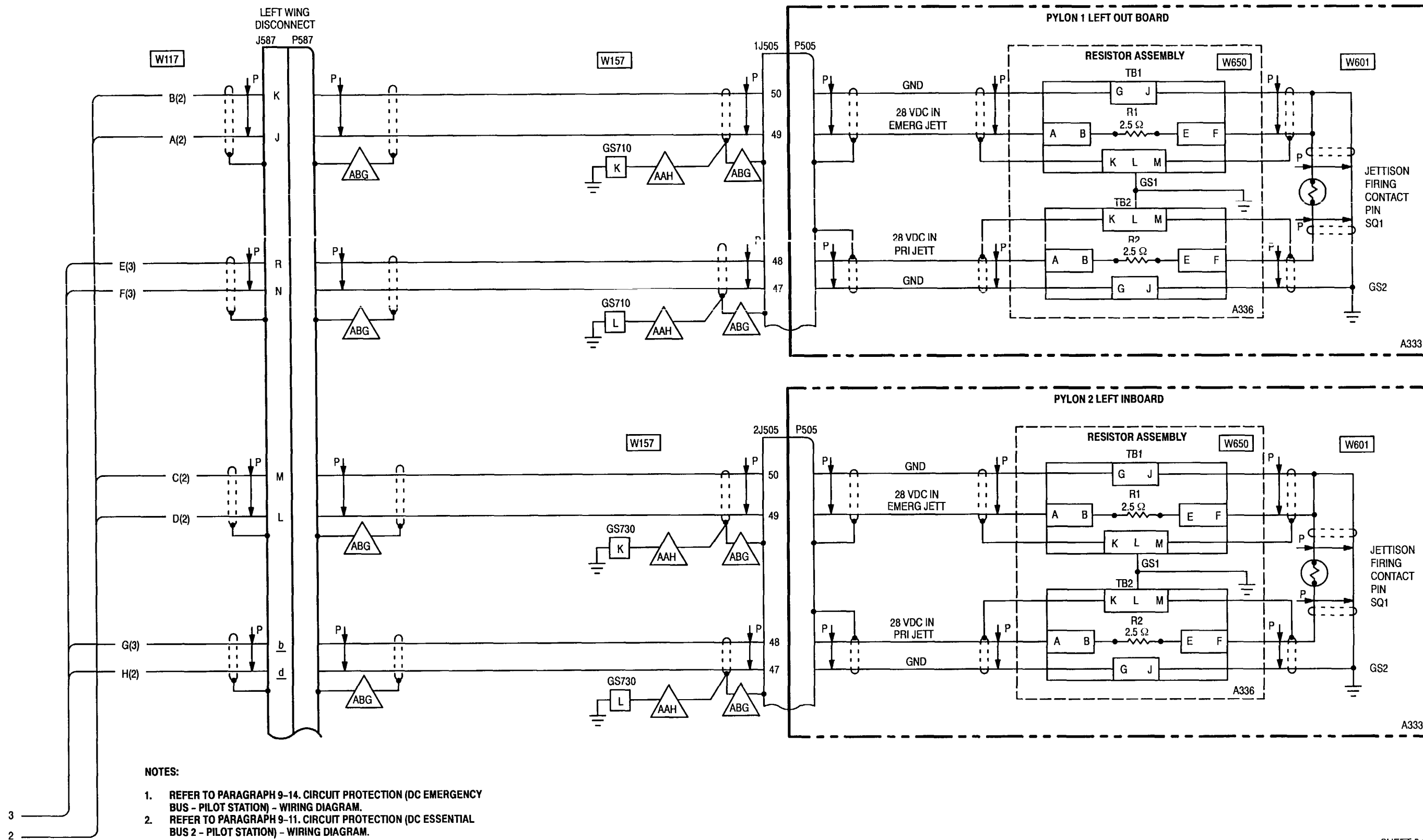
3

2

11-2. EXTERNAL STORES JETTISON - WIRING DIAGRAM (cont)



11-2. EXTERNAL STORES JETTISON - WIRING DIAGRAM (cont)



NOTES:

1. REFER TO PARAGRAPH 9-14. CIRCUIT PROTECTION (DC EMERGENCY BUS - PILOT STATION) - WIRING DIAGRAM.
2. REFER TO PARAGRAPH 9-11. CIRCUIT PROTECTION (DC ESSENTIAL BUS 2 - PILOT STATION) - WIRING DIAGRAM.

CHAPTER 12. FLIGHT CONTROL SYSTEM WIRING DIAGRAMS

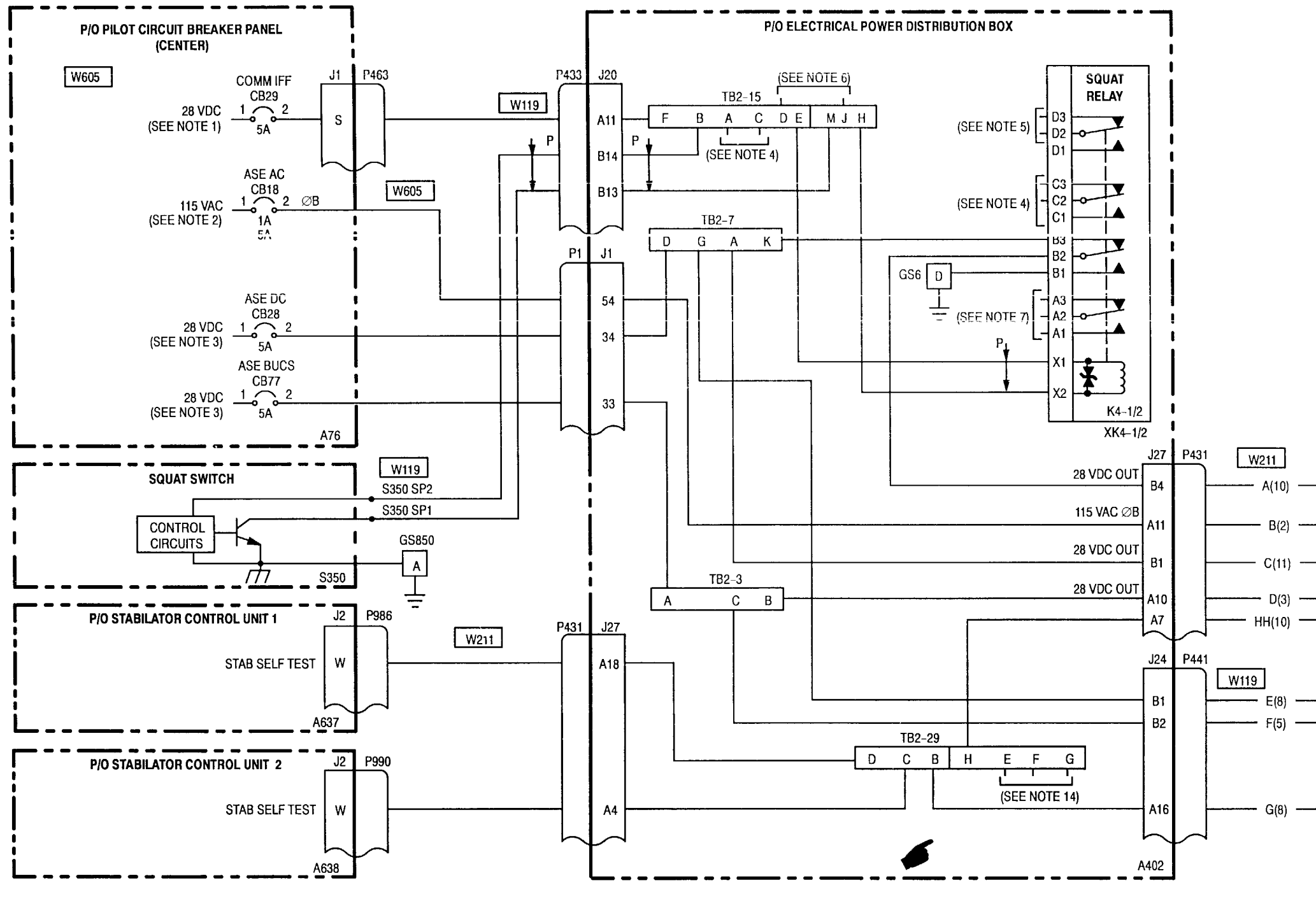
CHAPTER OVERVIEW

Chapter 12 contains wiring diagrams required for troubleshooting the flight control system.

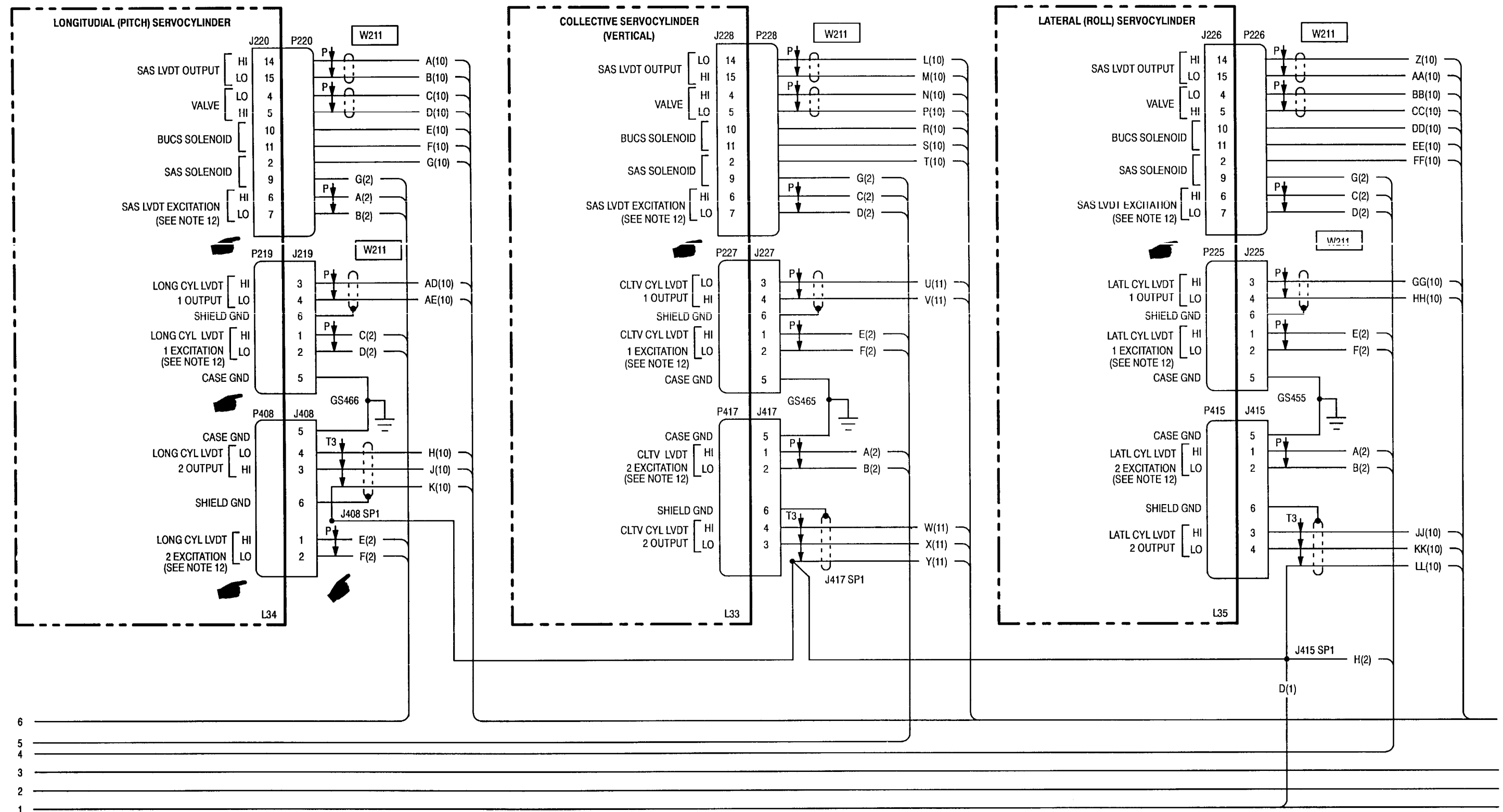
Chapter 12 is divided into the following paragraphs:

<u>Para Title</u>	<u>Para No.</u>
DASE - Wiring Diagram (BUCS Deactivated) (Serial No. 82-23355 thru 88-0199)	12-1
DASE - Wiring Diagram (BUCS Activated) (Serial No. 88-0200 and Subsequent).	12-2
Force Trim - Wiring Diagram.	12-3
Stabilator - Wiring Diagram	12-4

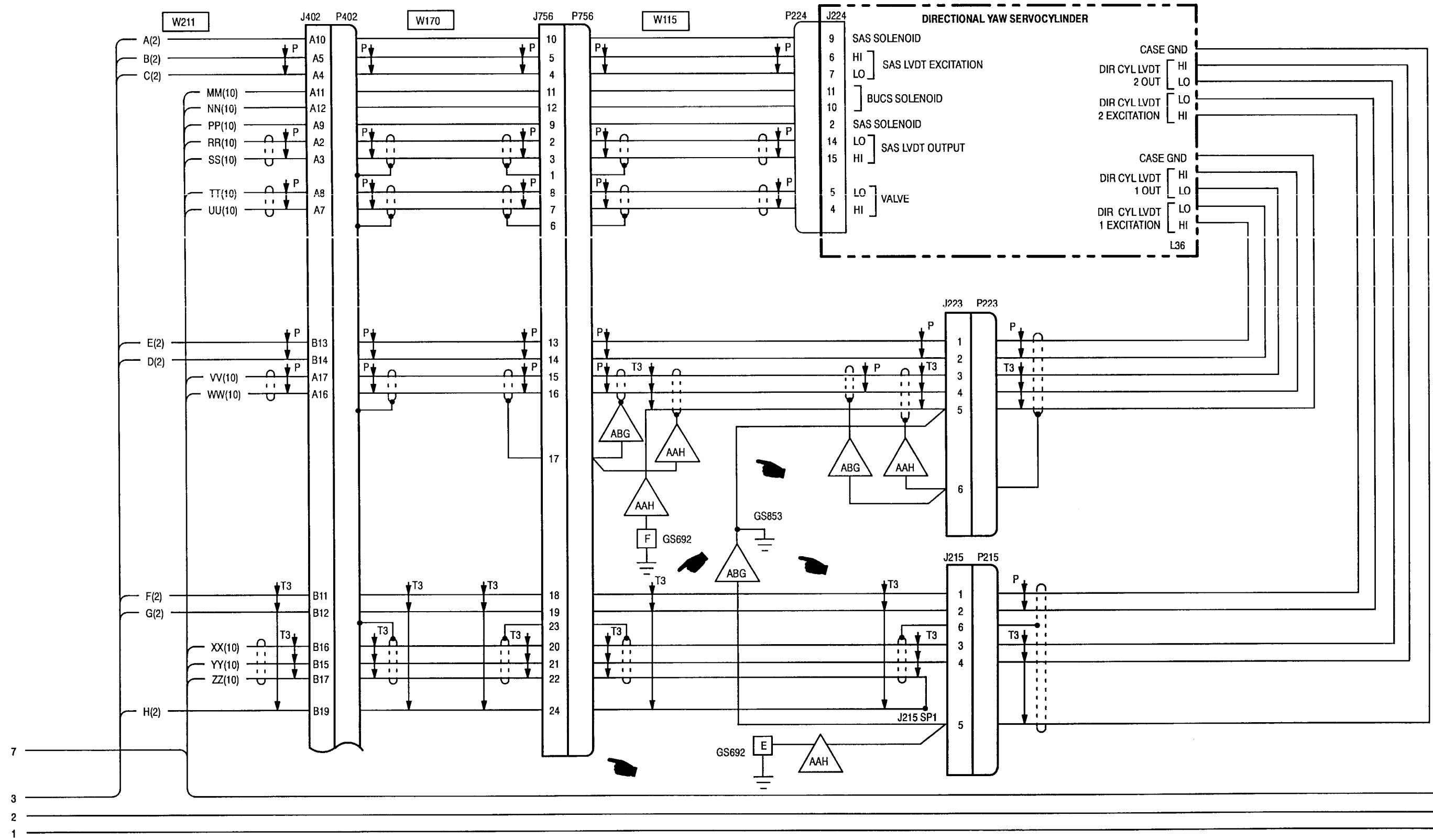
12-1. DASE - WIRING DIAGRAM (BUCS DEACTIVATED)
(SERIAL NO. 82-23355 THRU 88-0199)



12-1. DASE - WIRING DIAGRAM (BUCS DEACTIVATED)
(SERIAL NO. 82-23355 THRU 88-0199) (cont)



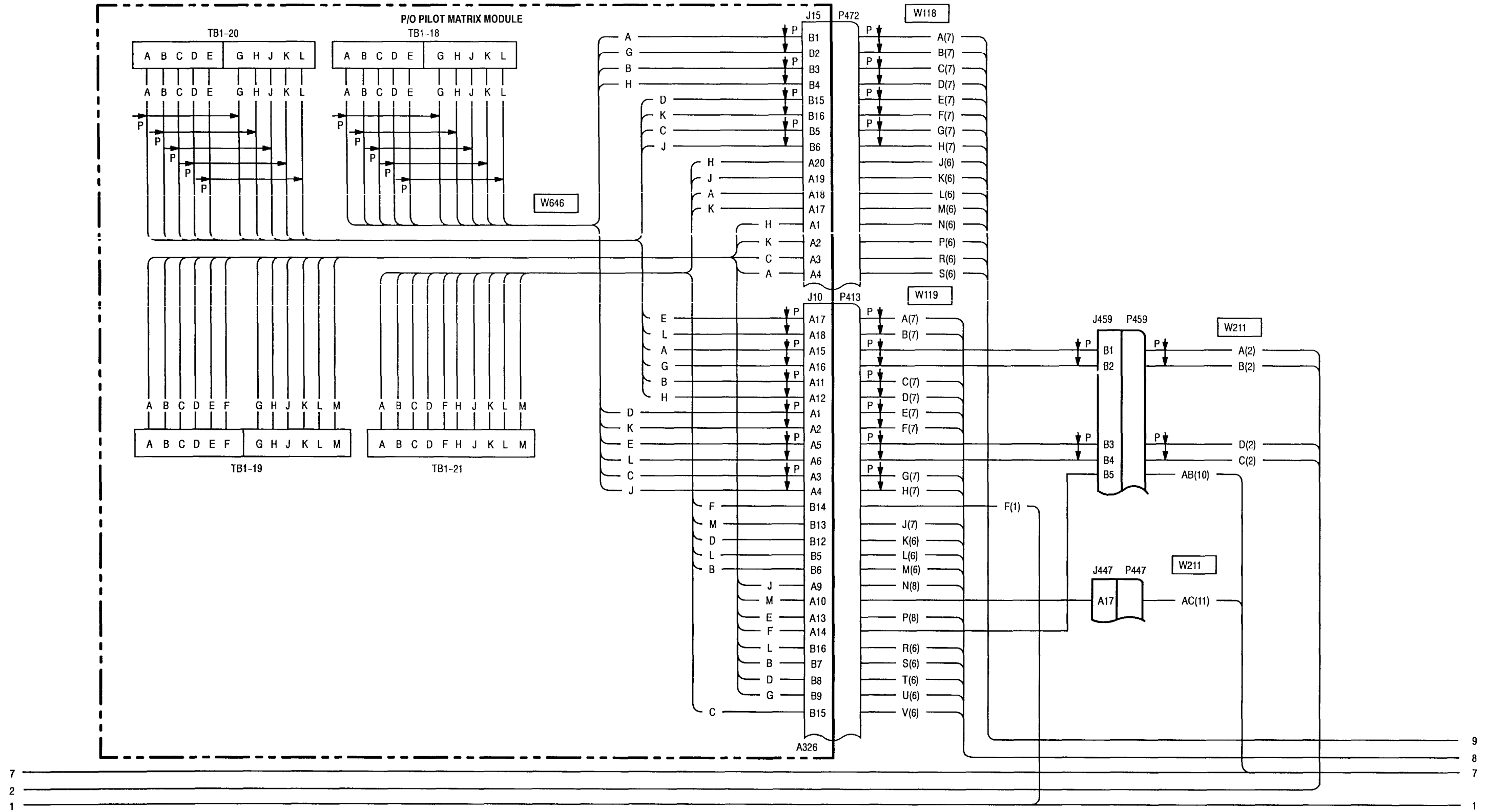
12-1. DASE - WIRING DIAGRAM (BUCS DEACTIVATED)
(SERIAL NO. 82-23355 THRU 88-0199) (cont)



7
3
2
1

7
2
1

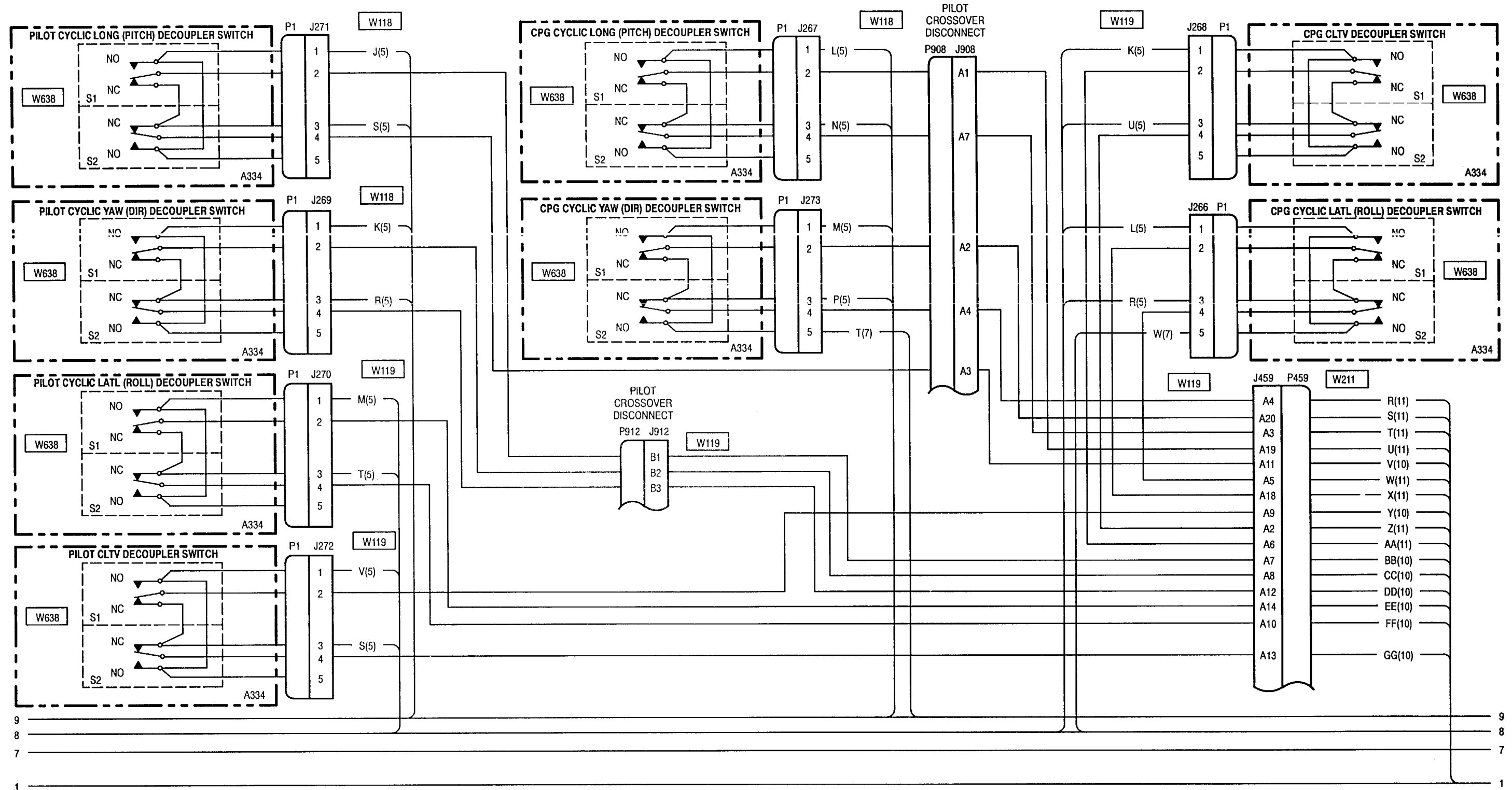
12-1. DASE - WIRING DIAGRAM (BUCS DEACTIVATED)
(SERIAL NO. 82-23355 THRU 88-0199) (cont)



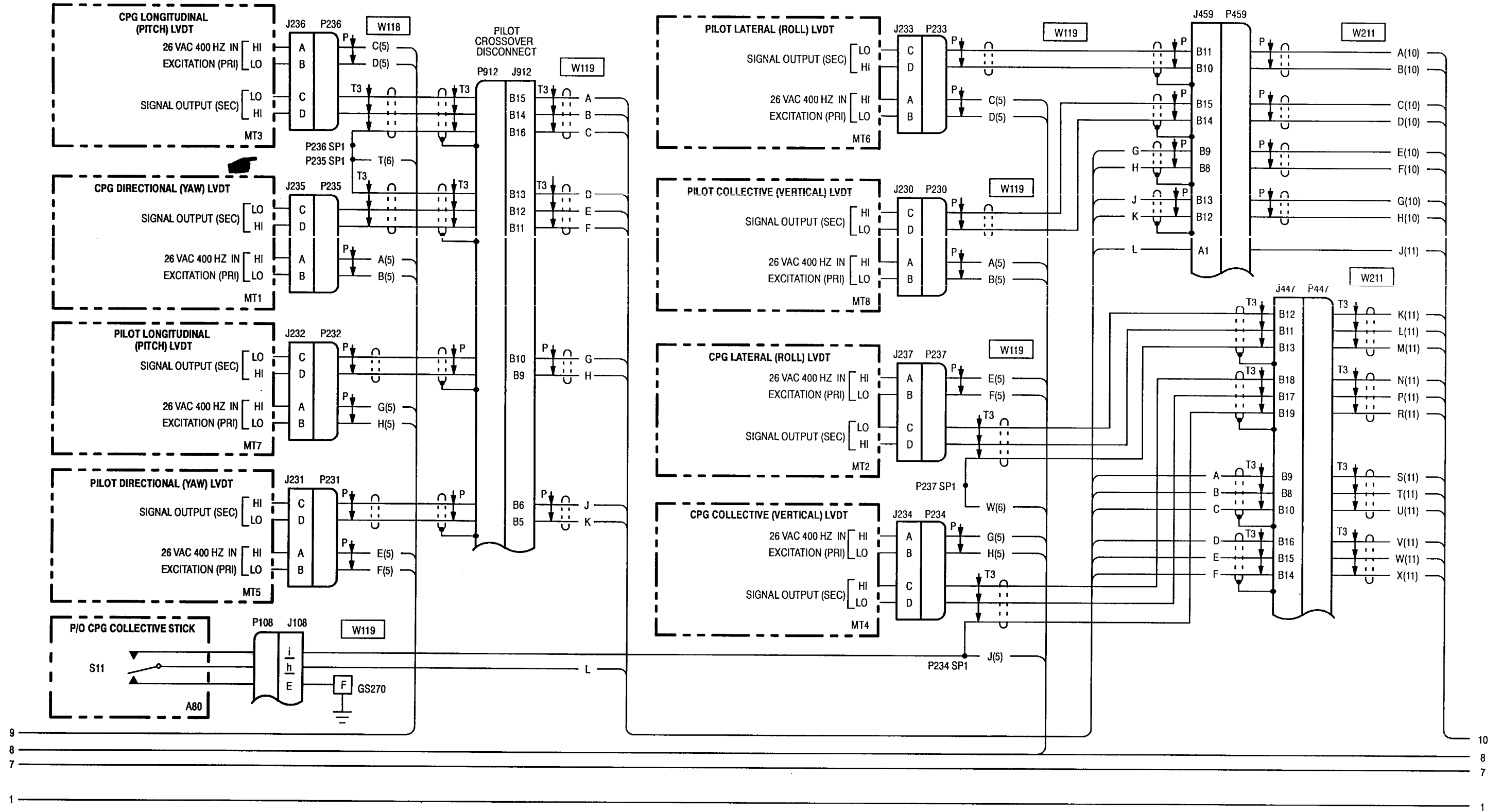
7
2
1

9
8
7
1

12-1. DASE - WIRING DIAGRAM (BUCS DEACTIVATED)
(SERIAL NO. 82-23355 THRU 88-0199) (cont)



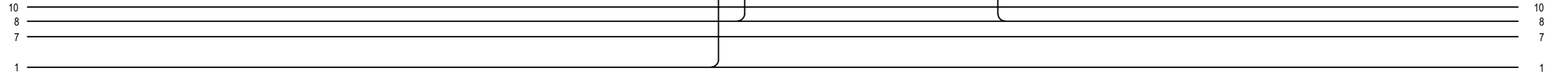
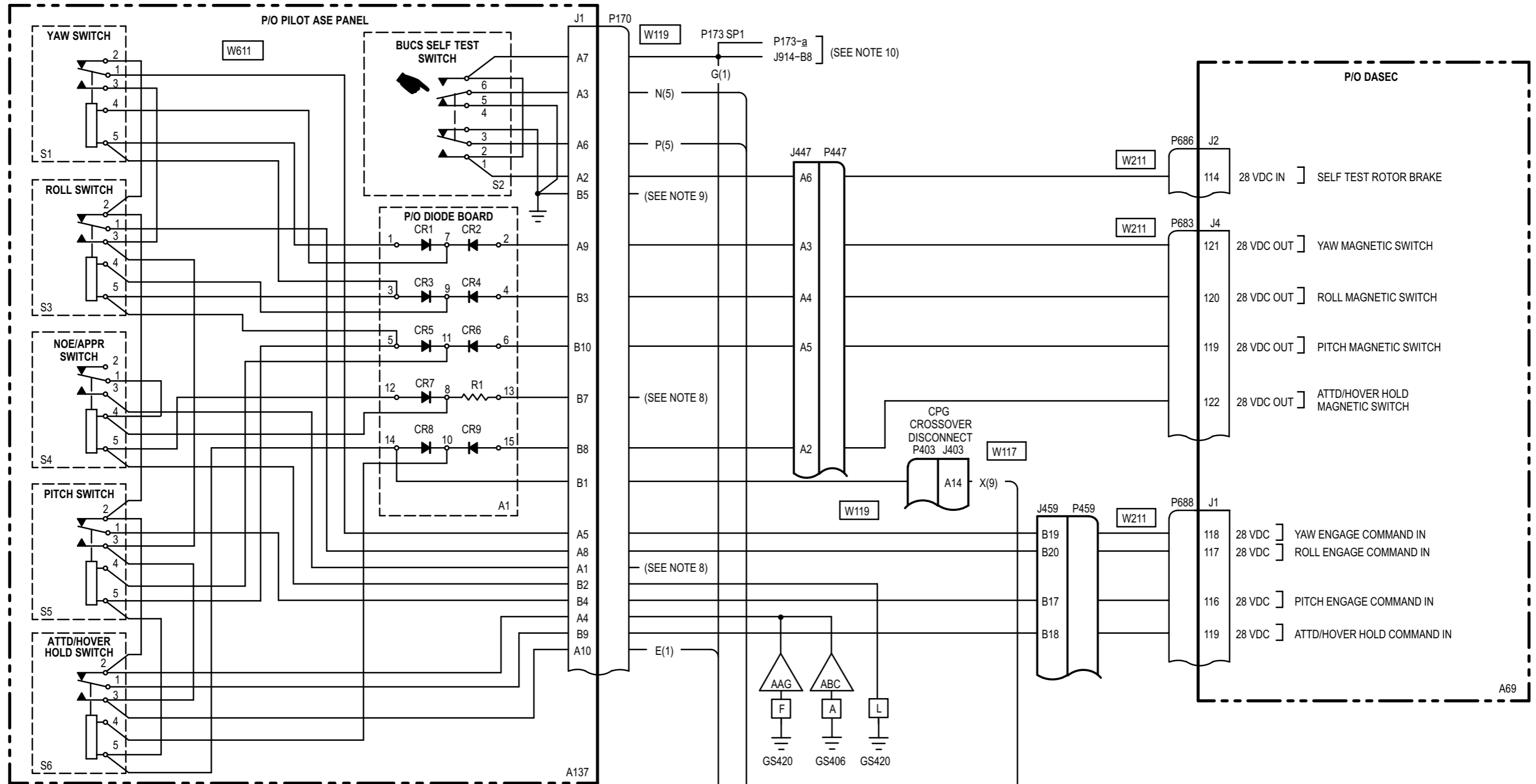
12-1. DASE - WIRING DIAGRAM (BUCS DEACTIVATED)
(SERIAL NO. 82-23355 THRU 88-0199) (cont)



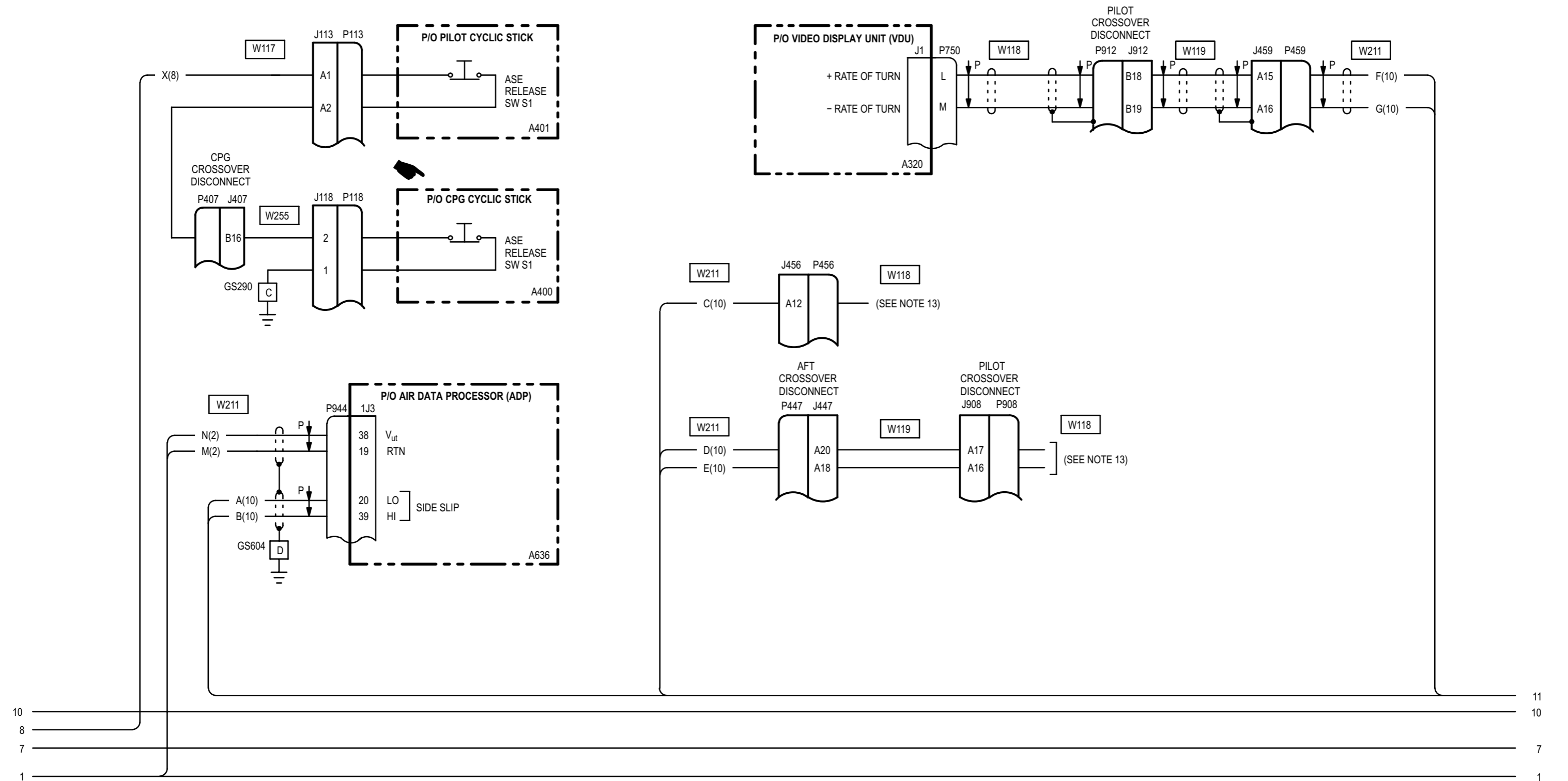
9
8
7
1

10
8
7
1

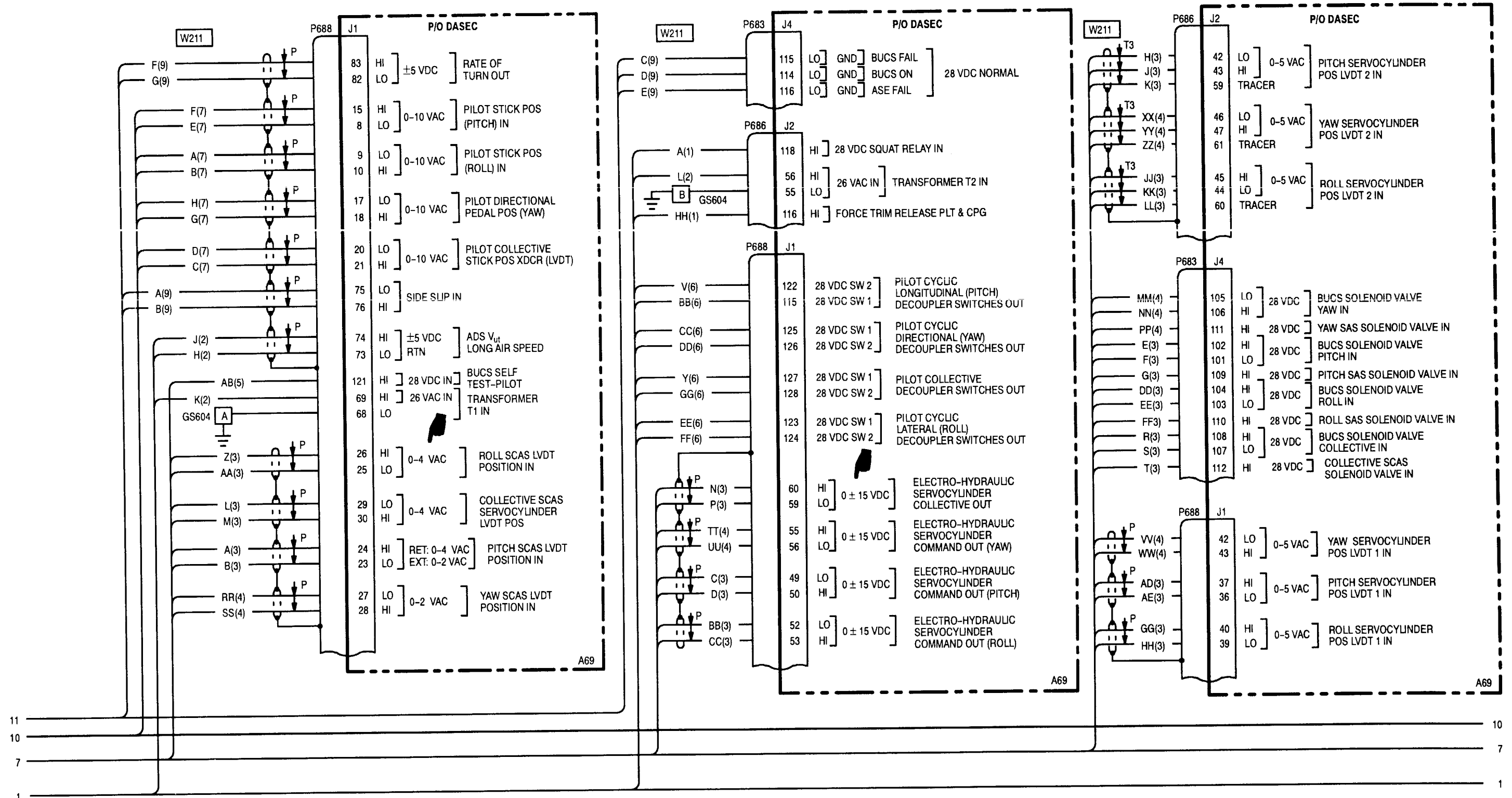
12-1. DASE - WIRING DIAGRAM (BUCS DEACTIVATED)
(SERIAL NO. 82-23355 THRU 88-0199) (cont)



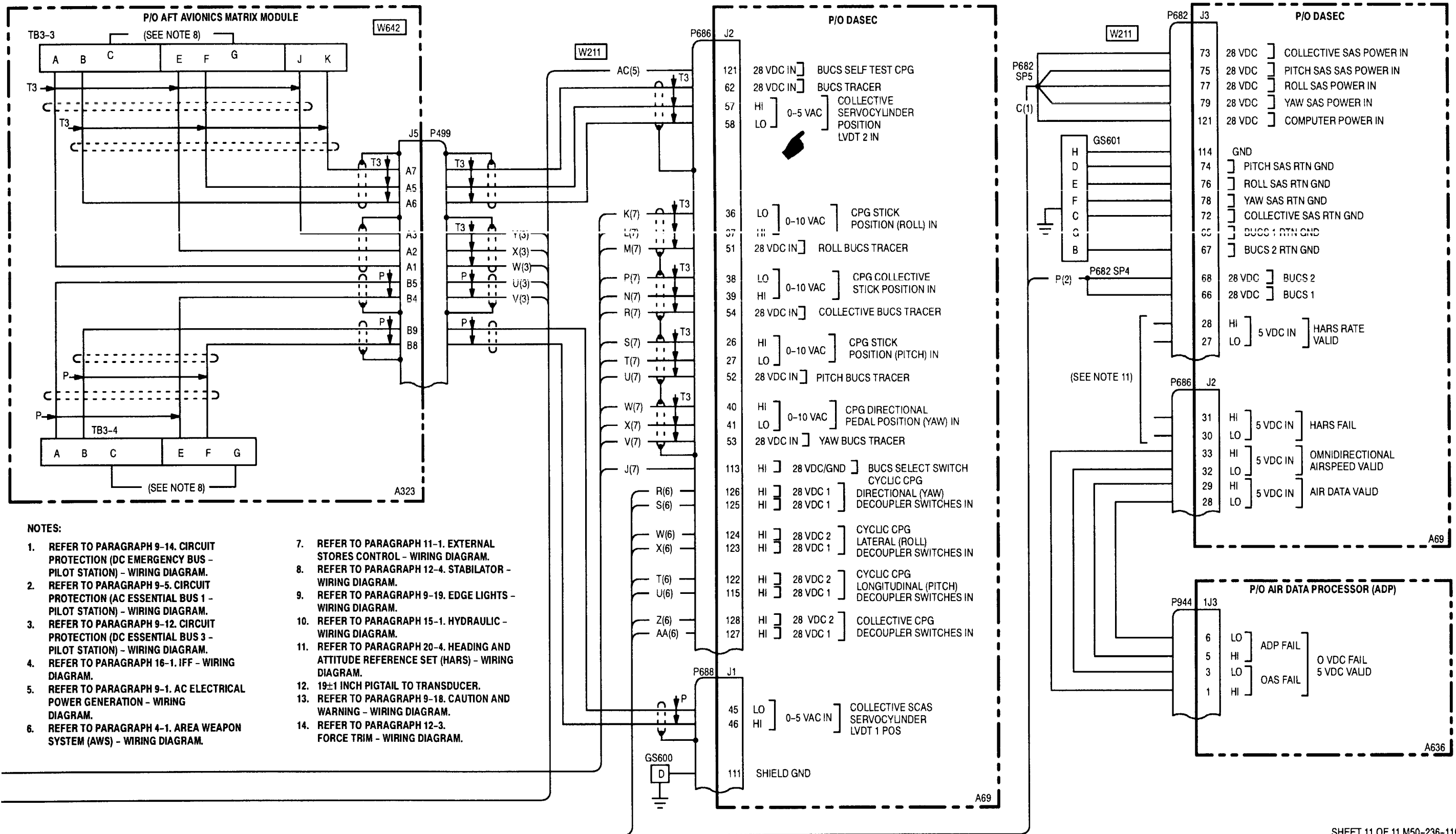
12-1. DASE - WIRING DIAGRAM (BUCS DEACTIVATED)
(SERIAL NO. 82-23355 THRU 88-0199) (cont)



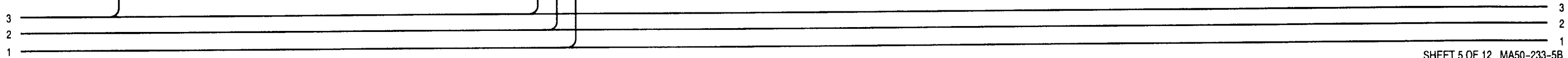
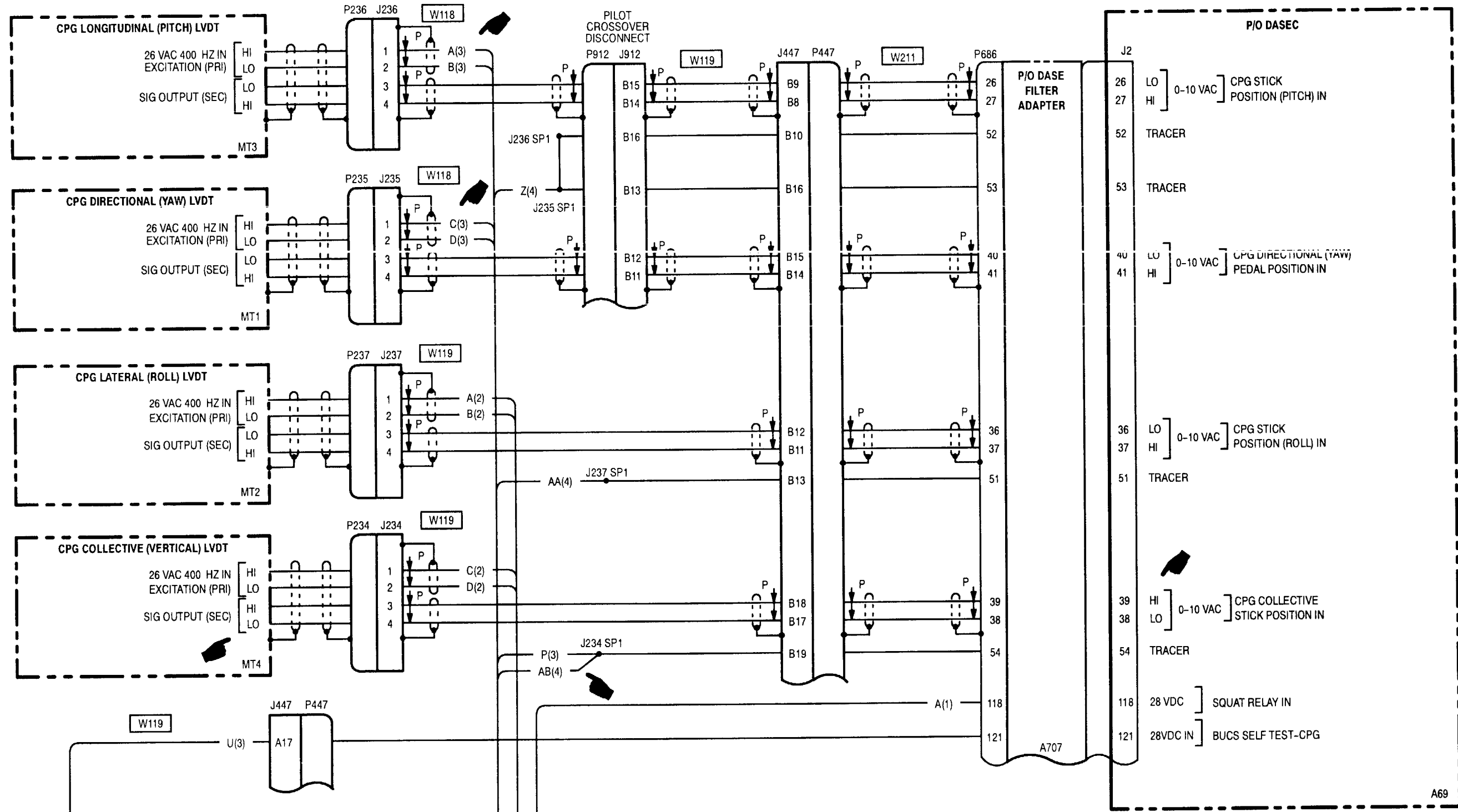
12-1. DASE - WIRING DIAGRAM (BUCS DEACTIVATED)
(SERIAL NO. 82-23355 THRU 88-0199) (cont)



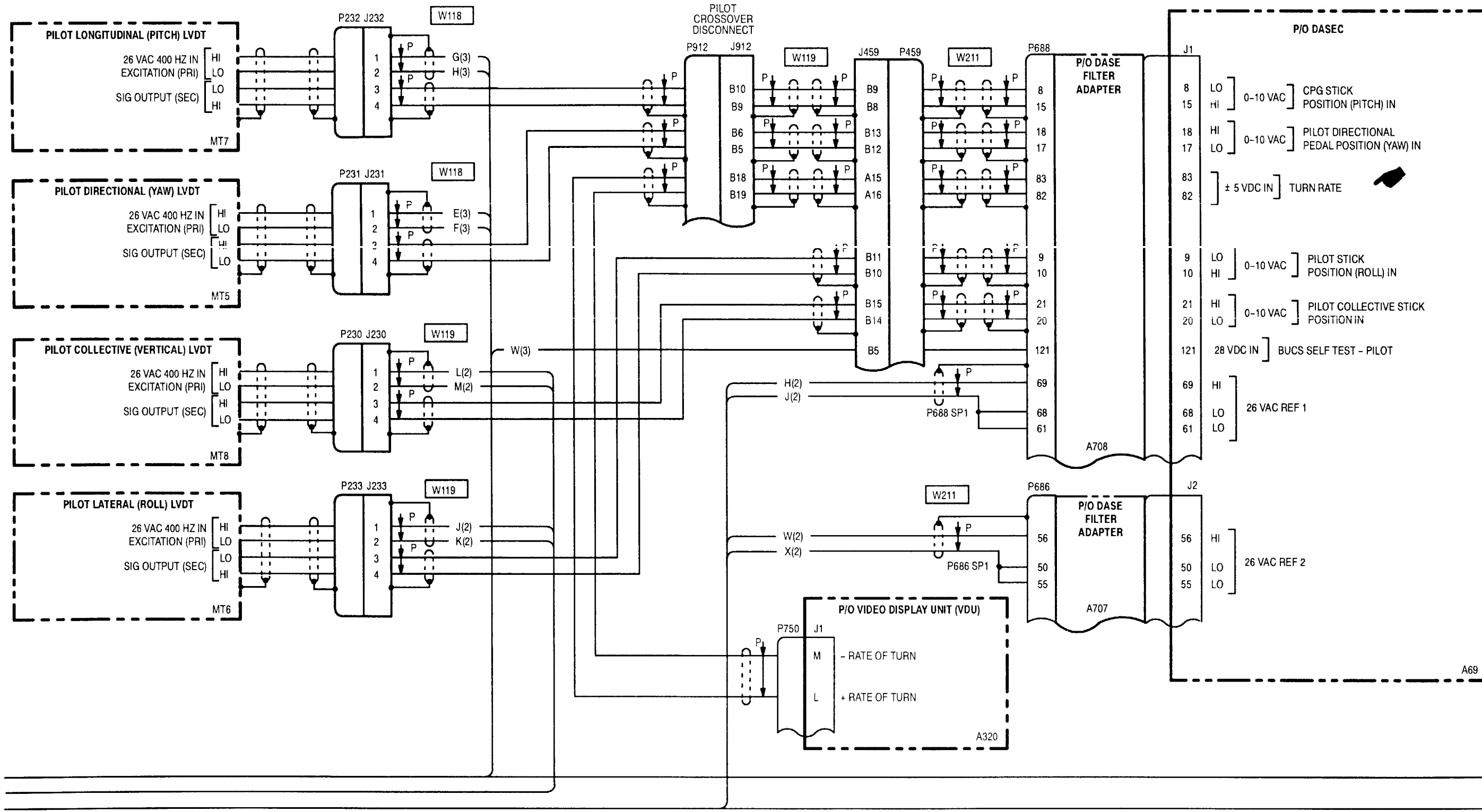
12-1. DASE - WIRING DIAGRAM (BUCS DEACTIVATED)
(SERIAL NO. 82-23355 THRU 880-1099) (cont)



12-2. DASE - WIRING DIAGRAM (BUCS ACTIVATED) (SERIAL NO. 88-0200 AND SUBSEQUENT) (cont)

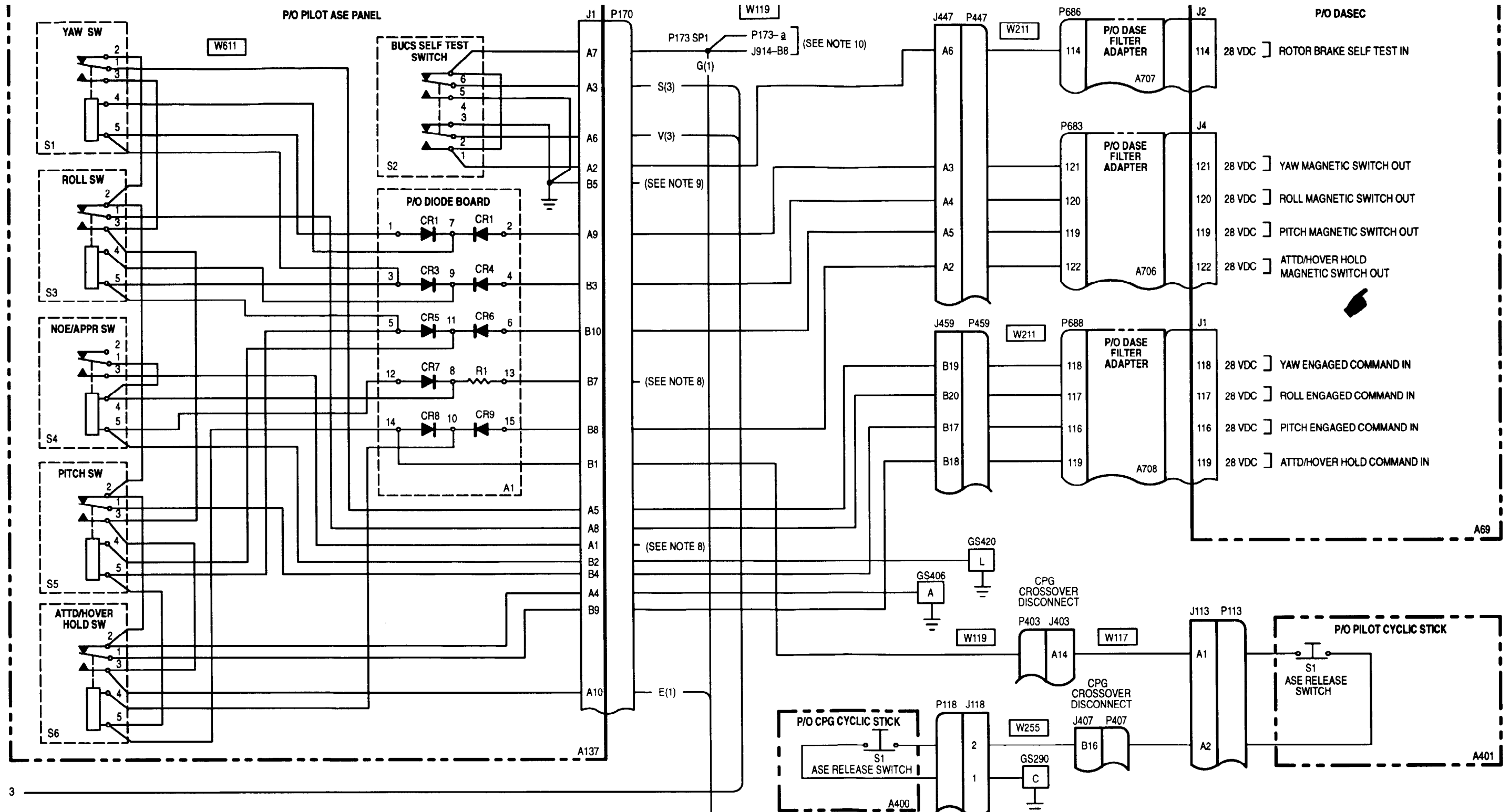


12-2. DASE - WIRING DIAGRAM (BUCS ACTIVATED (SERIAL NO. 88-0200 AND SUBSEQUENT) (cont)



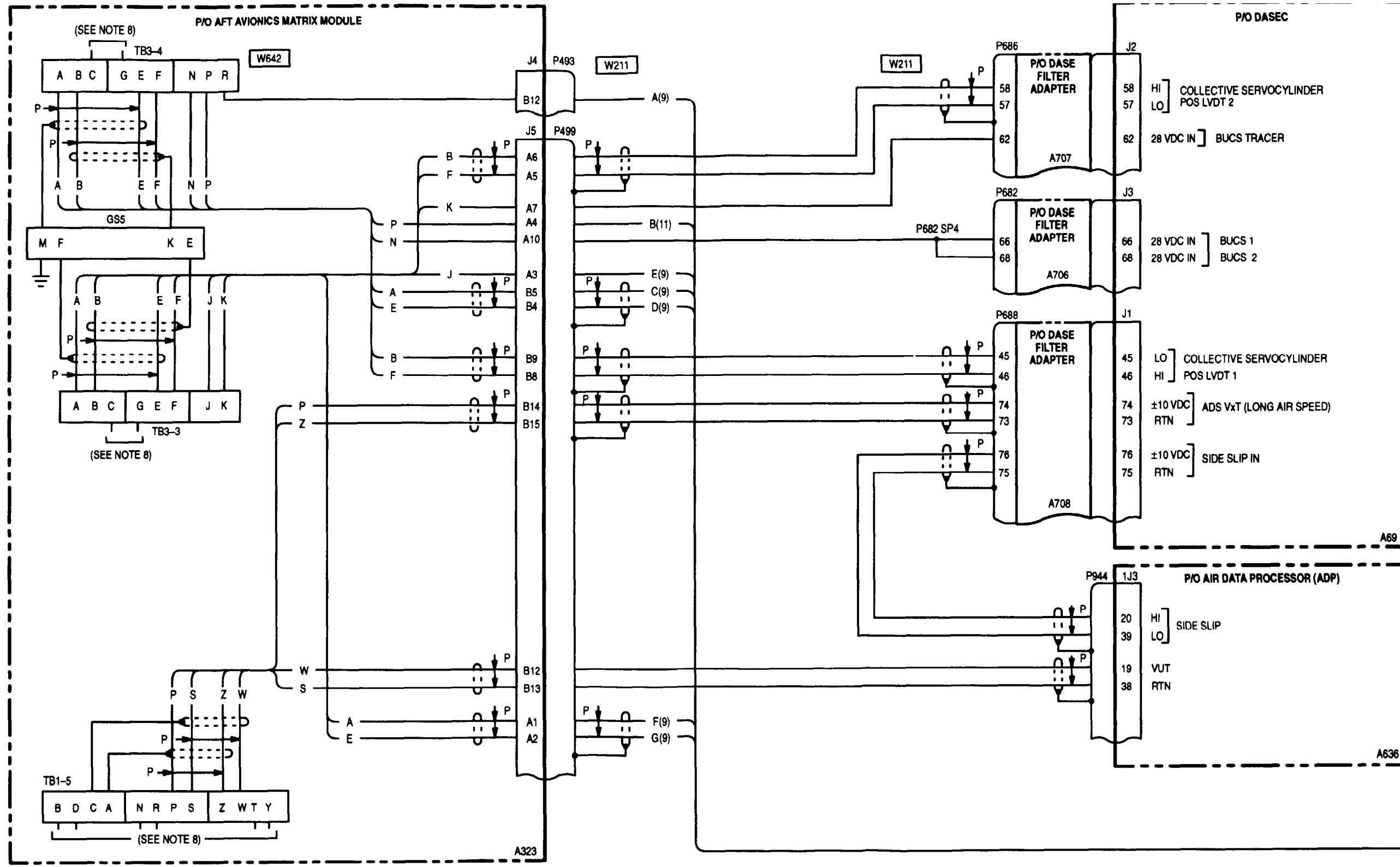
3
2
1

12-2. DASE -WIRING DIAGRAM (BUCS ACTIVATED) (SERIAL NO. 88-0200 AND SUBSEQUENT) (cont)

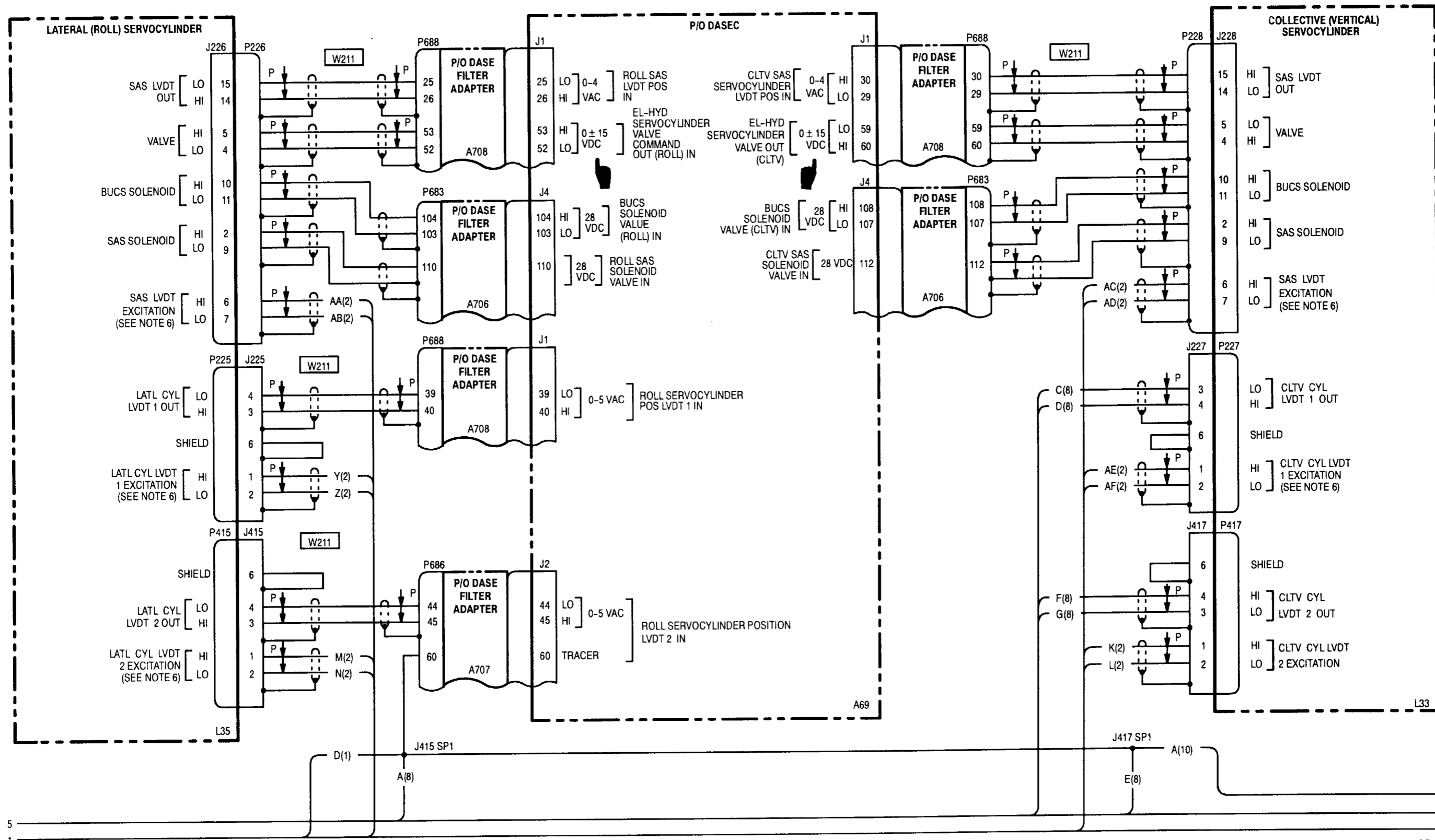


3

12-2. DASE -WIRING DIAGRAM (BUCS ACTIVATED) (SERIAL NO. 88-0200 AND SUBSEQUENT) (cont)

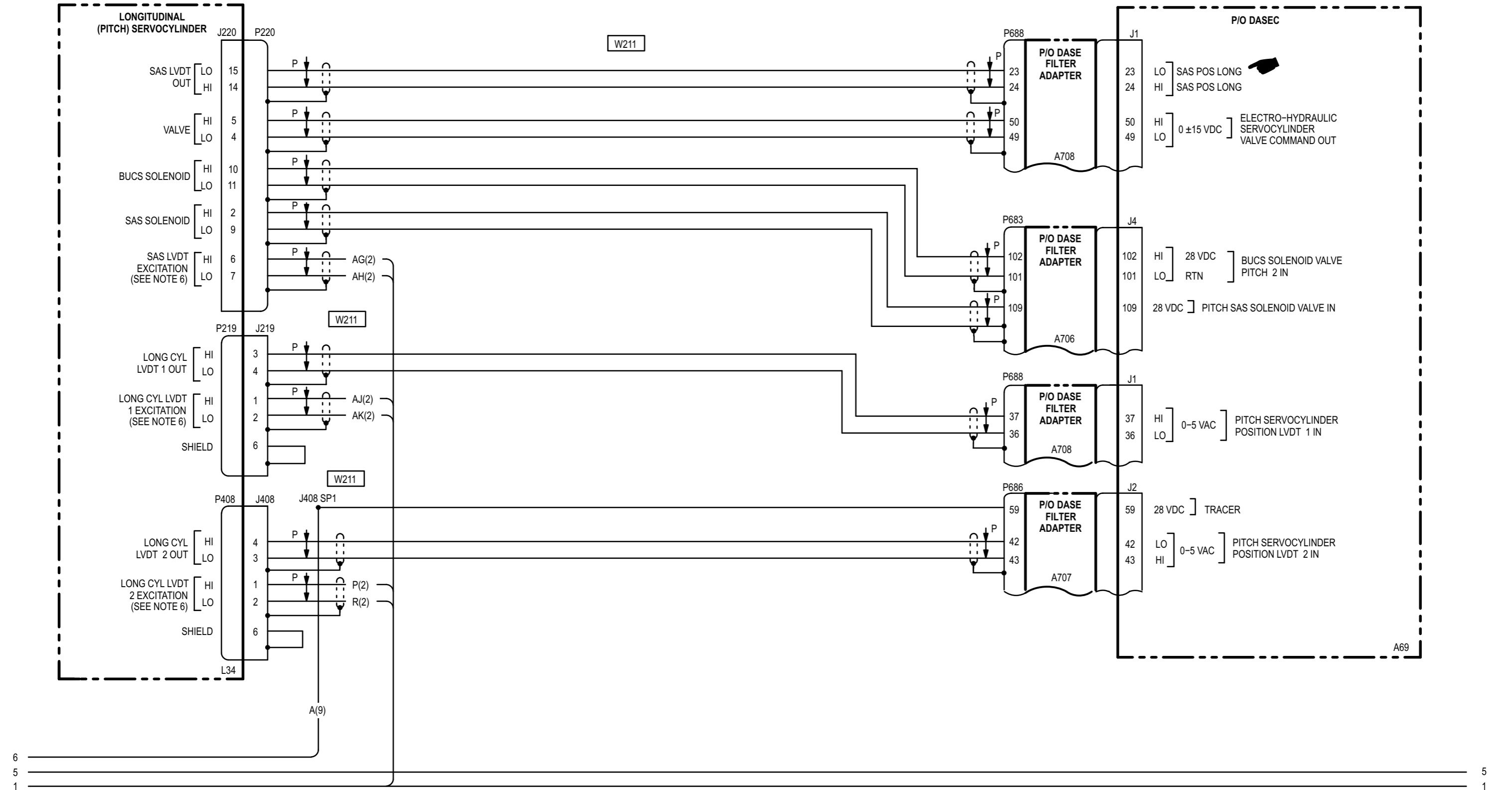


12-2. DASE - WIRING DIAGRAM (BUCS ACTIVATED) (SERIAL NO. 88-0200 AND SUBSEQUENT) (cont)



5
1

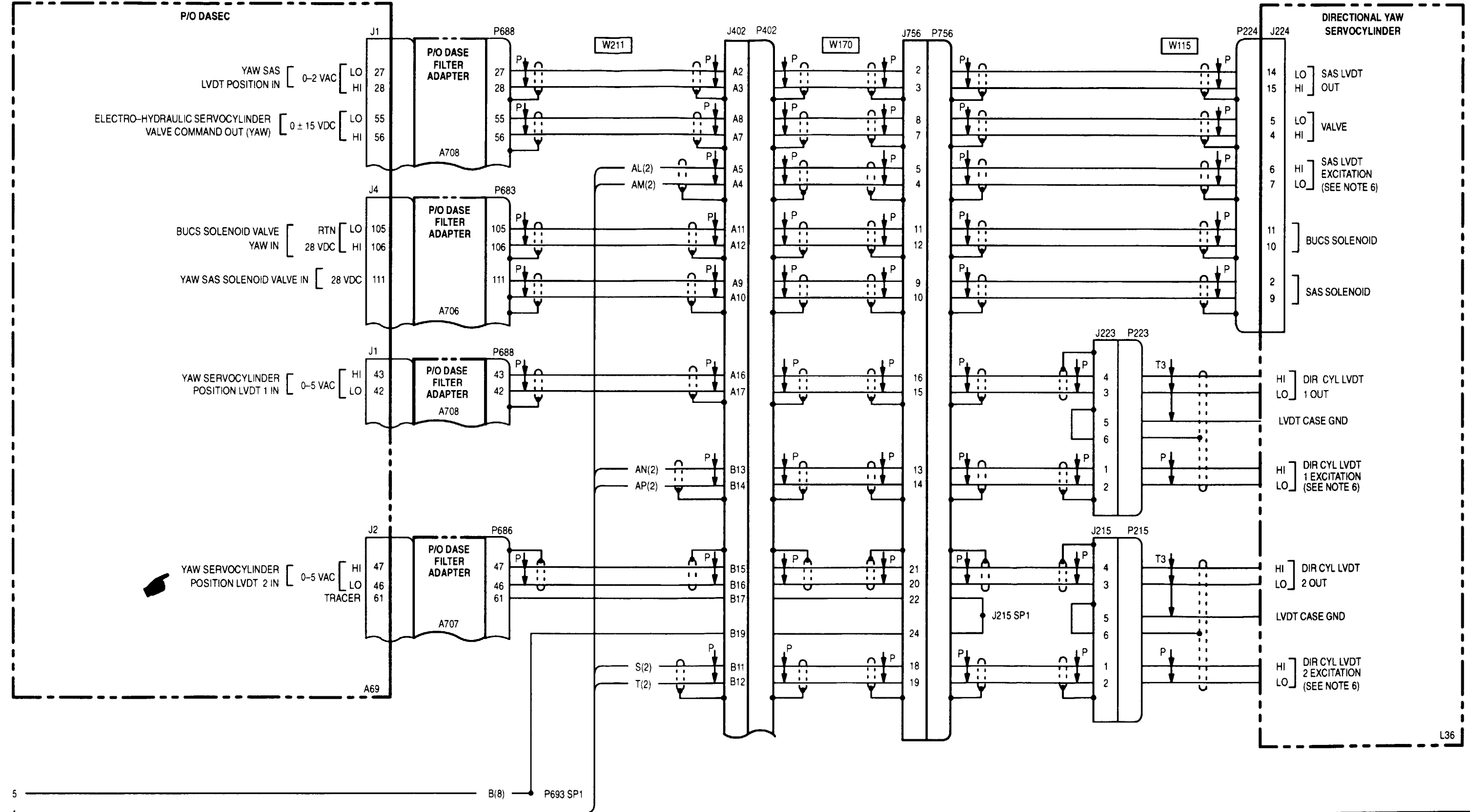
12-2. DASE – WIRING DIAGRAM (BUCS ACTIVATED) (SERIAL NO. 88-0200 AND SUBSEQUENT) (cont)



6
5
1

5
1

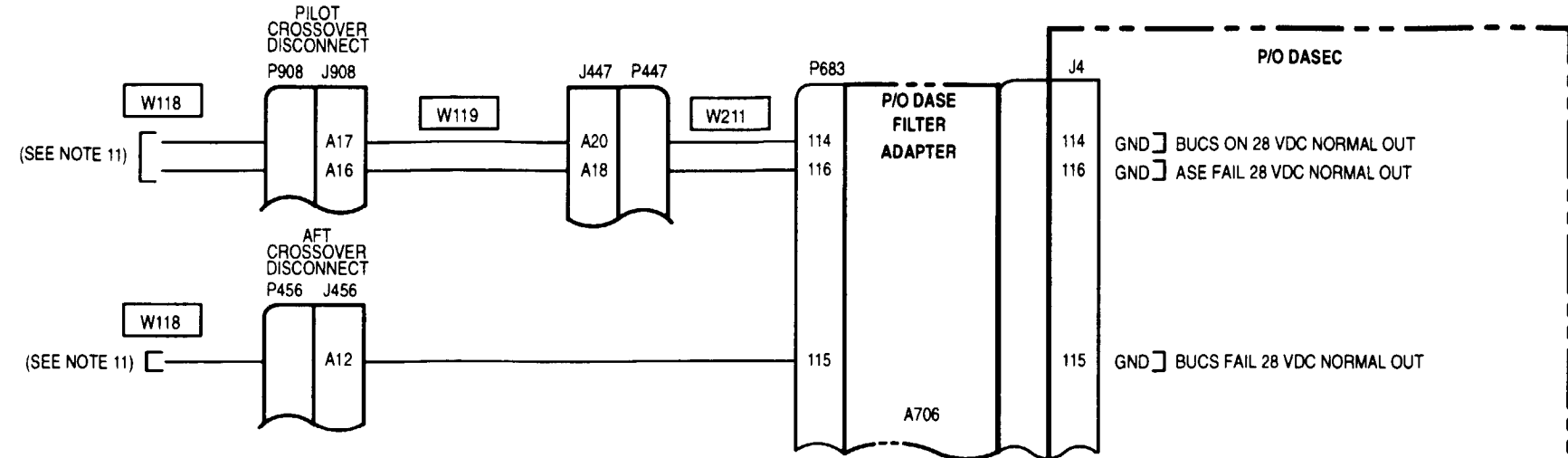
12-2. DASE - WIRING DIAGRAM (BUCS ACTIVATED) (SERIAL NO. 88-0200 AND SUBSEQUENT) (cont)



5 B(8) P693 SP1

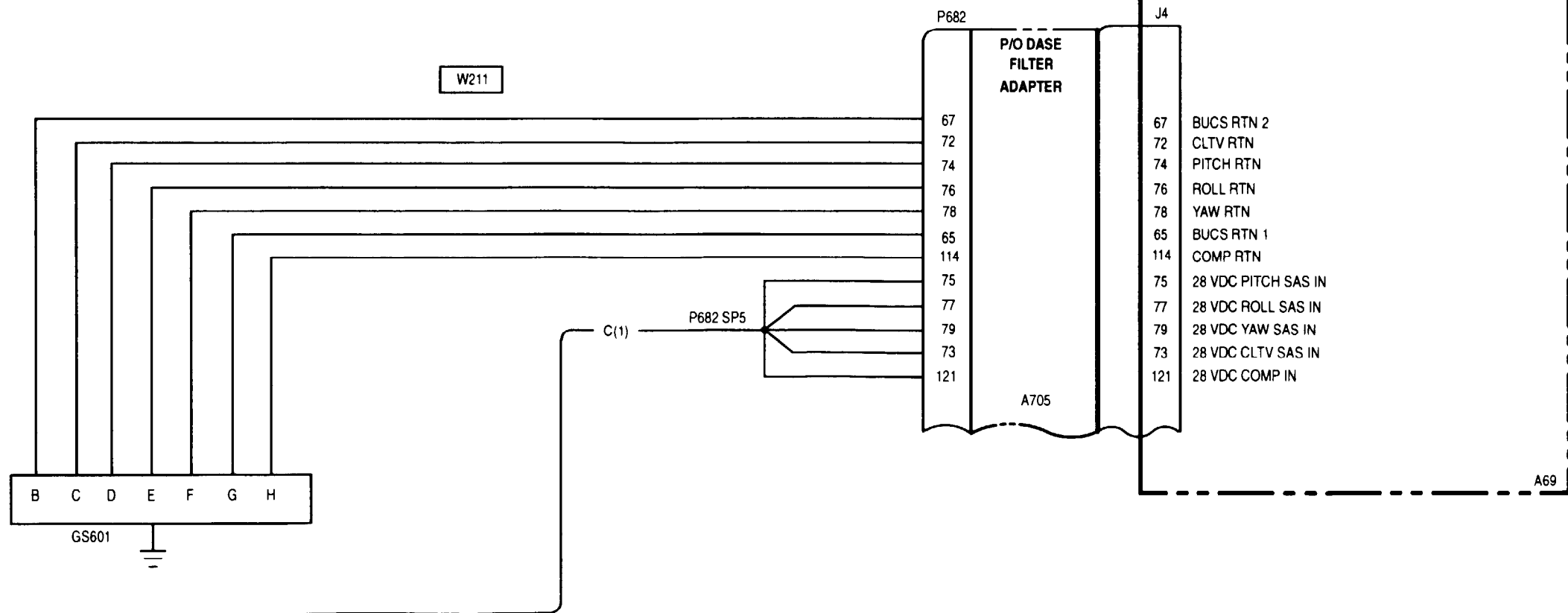
1

L36

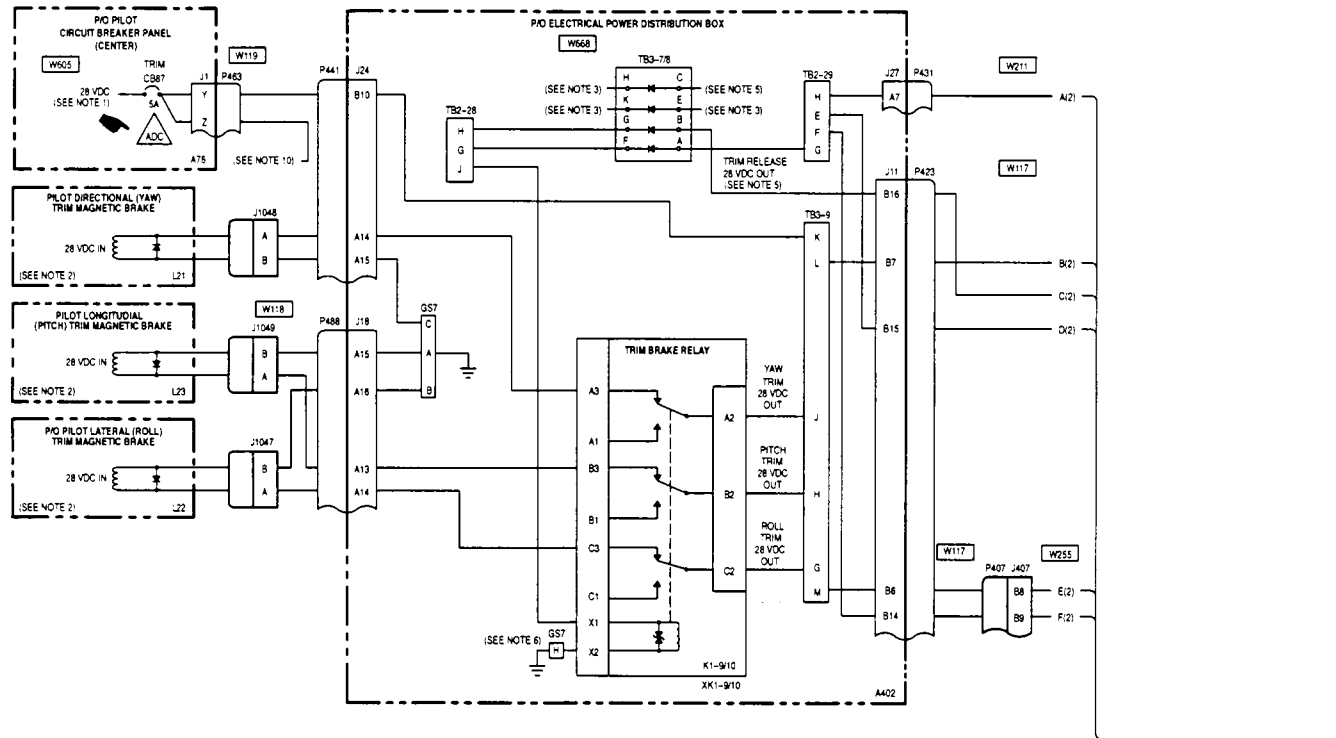


NOTES:

1. REFER TO PARAGRAPH 9-14. CIRCUIT PROTECTION (DC EMERGENCY BUS - PILOT STATION) - WIRING DIAGRAM.
2. REFER TO PARAGRAPH 9-5. CIRCUIT PROTECTION (AC ESSENTIAL BUS 1 - PILOT STATION) - WIRING DIAGRAM.
3. REFER TO PARAGRAPH 9-12. CIRCUIT PROTECTION (DC ESSENTIAL BUS 3 - PILOT STATION) - WIRING DIAGRAM.
4. REFER TO PARAGRAPH 16-1. IFF - WIRING DIAGRAM.
5. REFER TO PARAGRAPH 9-1. AC ELECTRICAL POWER GENERATION - WIRING DIAGRAM.
6. 19± 1 INCH PIGTAIL TO TRANSDUCER.
7. REFER TO PARAGRAPH 11-1. EXTERNAL STORES CONTROL - WIRING DIAGRAM.
8. REFER TO PARAGRAPH 12-4. STABILATOR - WIRING DIAGRAM.
9. REFER TO PARAGRAPH 9-19. EDGE LIGHTS - WIRING DIAGRAM.
10. REFER TO PARAGRAPH 15-1. HYDRAULIC - WIRING DIAGRAM.
11. REFER TO PARAGRAPH 9-18. CAUTION AND WARNING - WIRING DIAGRAM.
12. REFER TO PARAGRAPH 4-1. AREA WEAPON SYSTEM (AWS) - WIRING DIAGRAM.

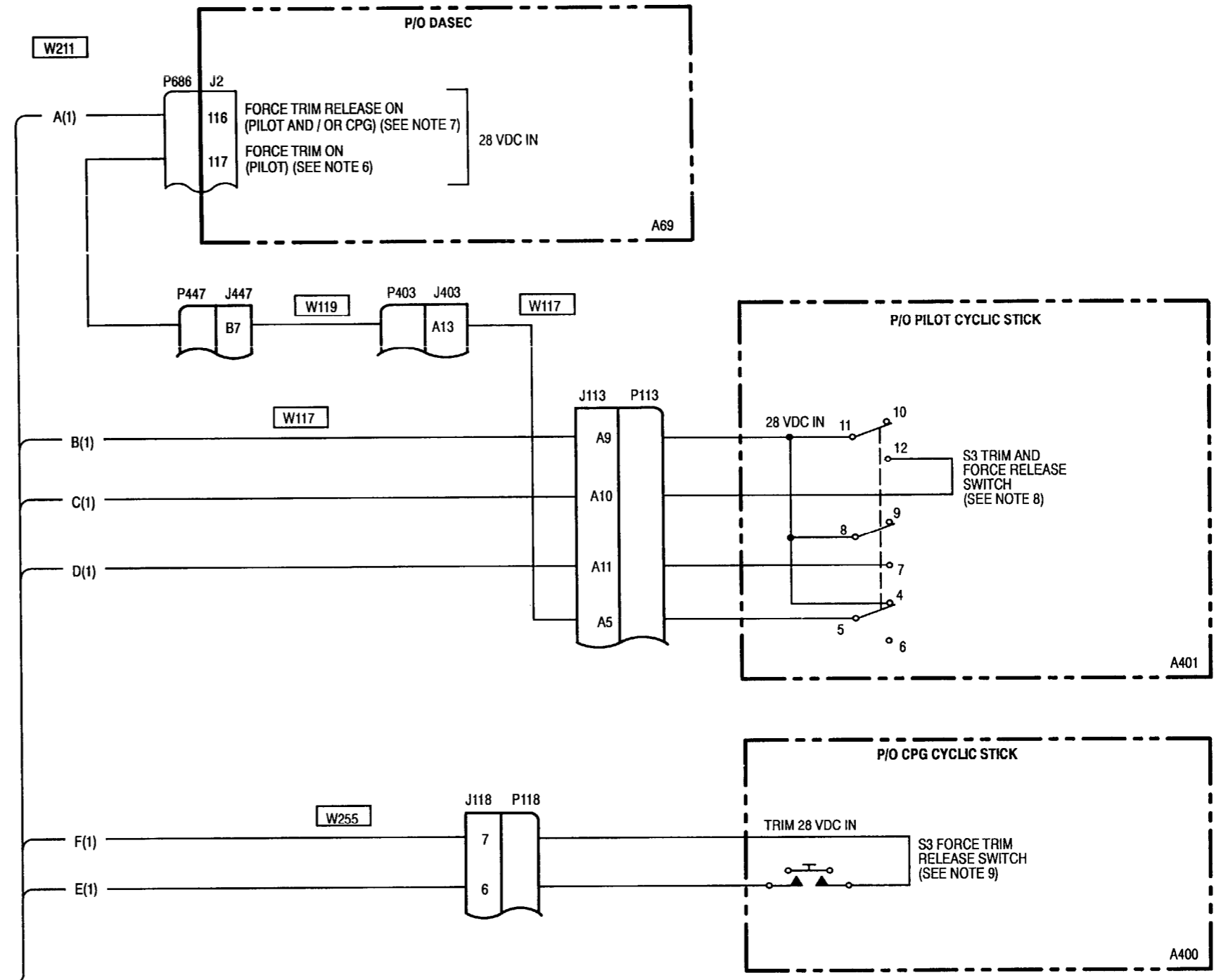


12-3. FORCE TRIM - WIRING DIAGRAM



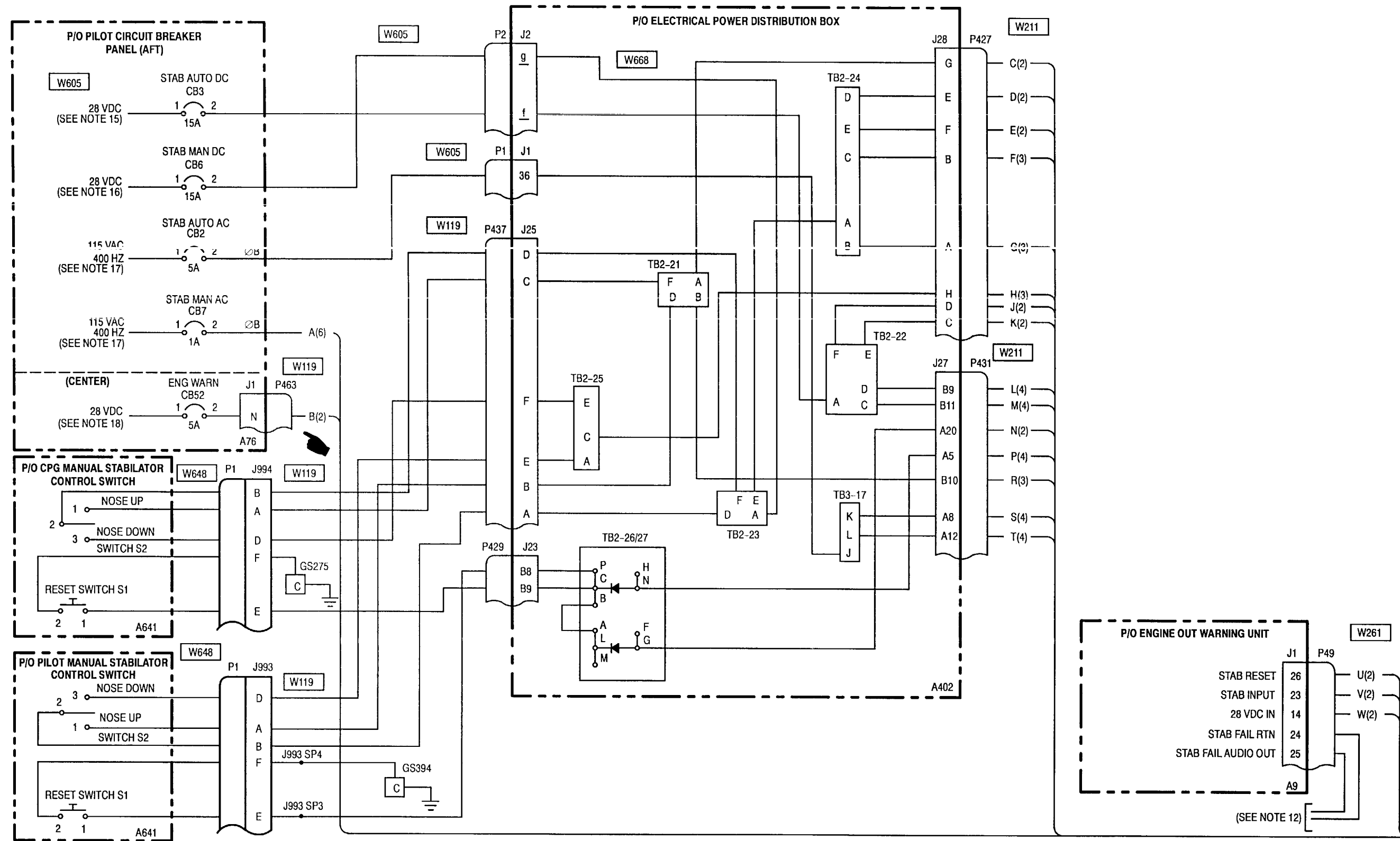
NOTES:

1. REFER TO PARAGRAPH 9-4. CIRCUIT PROTECTION (DC EMERGENCY BUS - PILOT STATION) - WIRING DIAGRAM.
 2. 28 VDC INPUT ACTIVITIES MAGNETIC BRAKE (FORCE TRIM ON).
 3. REFER TO PARAGRAPH 15-1. HYDRAULIC - WIRING DIAGRAM.
 4. REFER TO PARAGRAPH 9-18. CAUTION AND WARNING - WIRING DIAGRAM.
 5. PRESENT AT FORCE TRIM RELEASE.
 6. WITH PILOT OR CPG FORCE TRIM SWITCH AT FORCE TRIM ON POSITION.
 7. WITH PILOT FORCE TRIM SWITCH AT FORCE TRIM ON POSITION.
 8. SHOWN AT FORCE TRIM ON POSITION, SPRING LOADED FROM FORCE TRIM RELEASE POSITION TO FORCE TRIM ON POSITION.
- | SWITCH POSITION | TERMINALS CONNECTED |
|--|--------------------------|
| FORCE TRIM OFF (PERMANENT) | 5 TO 6, 8 TO 9, TO 12 |
| FORCE TRIM RELEASE (MOMENTARY RELEASE) | 4 TO 5, 7 TO 8, 10 TO 11 |
| FORCE TRIM ON (NORMAL) | 4 TO 5, 8 TO 9, 10 TO 11 |
9. PUSHBUTTON SWITCH, USED ONLY FOR FORCE TRIM RELEASE.
 10. REFER TO PARAGRAPH 20-4. HEADING ATTITUDE REFERENCE SET (HARS) - WIRING DIAGRAM.

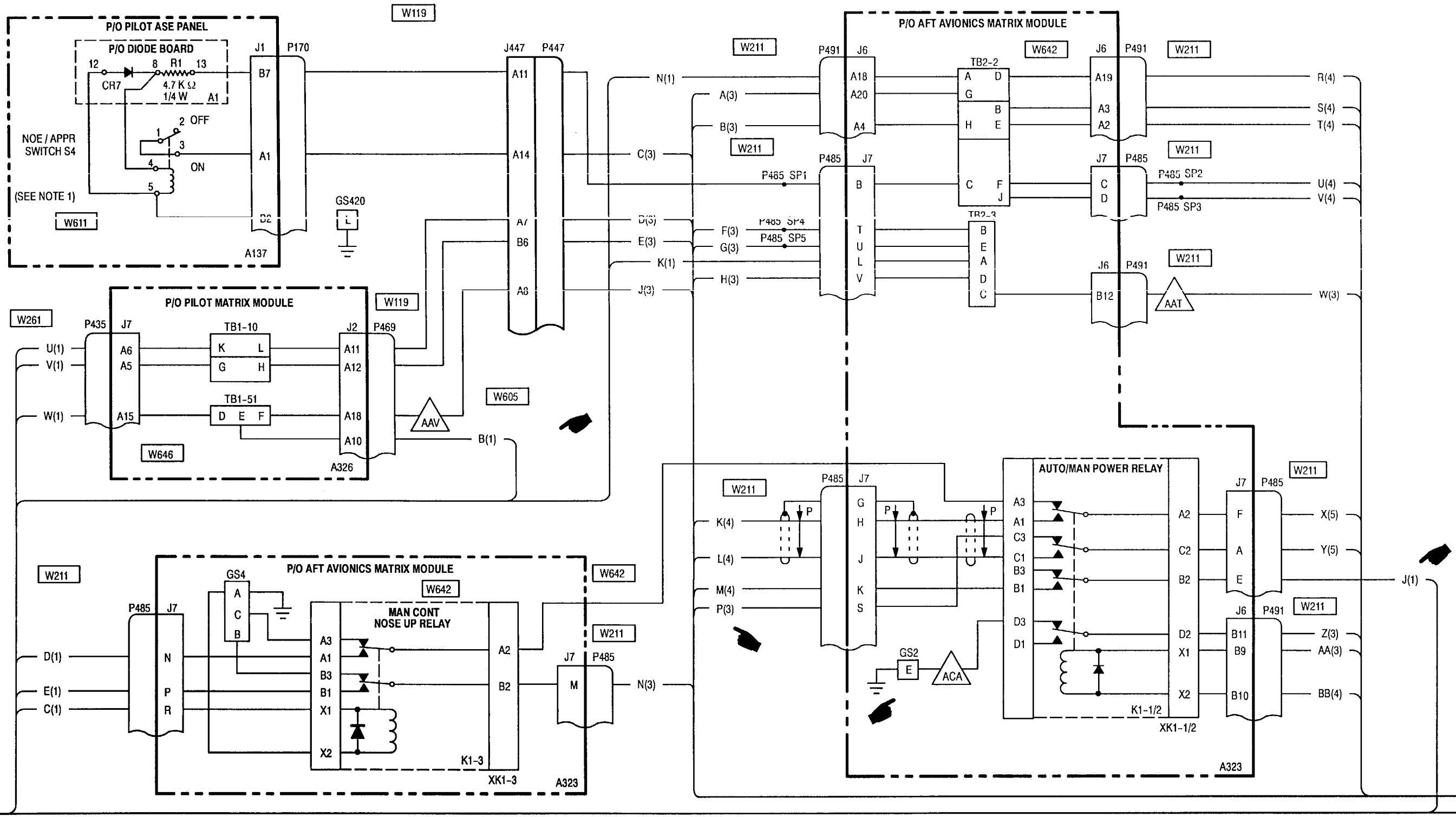


1

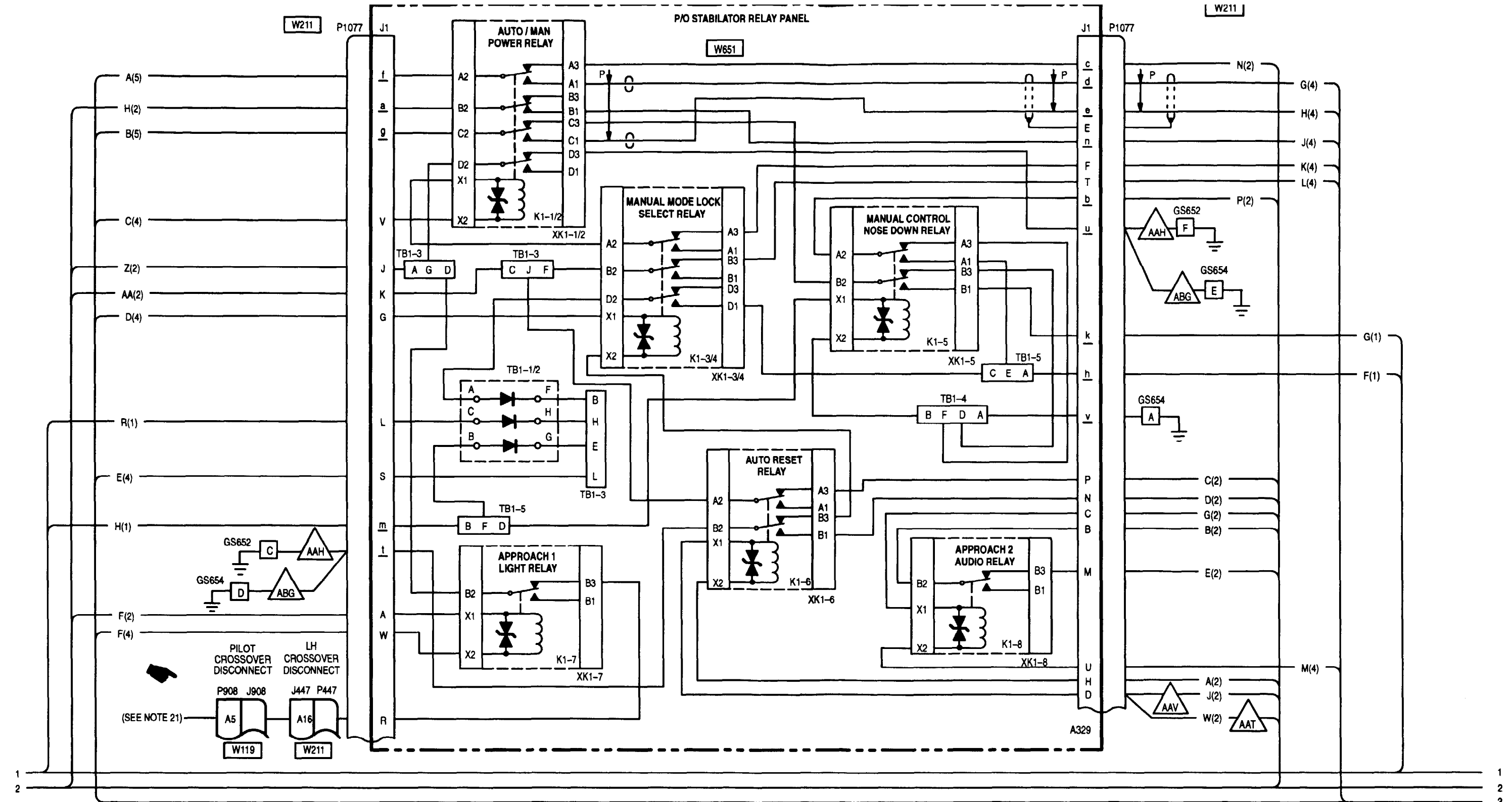
12-4. STABILATOR - WIRING DIAGRAM



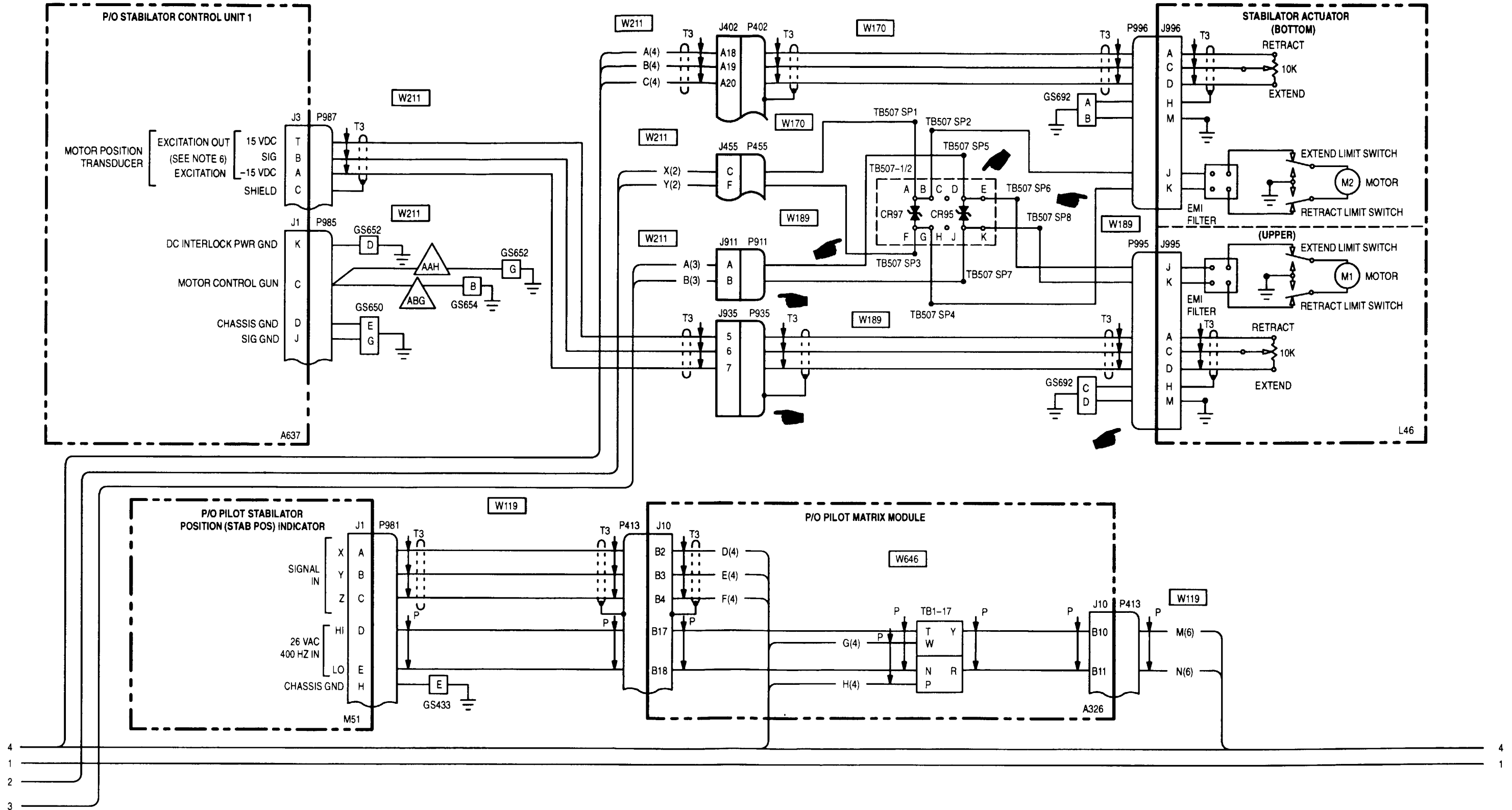
12-4. STABILATOR - WIRING DIAGRAM (cont)



12-4. STABILATOR -WIRING DIAGRAM (cont)



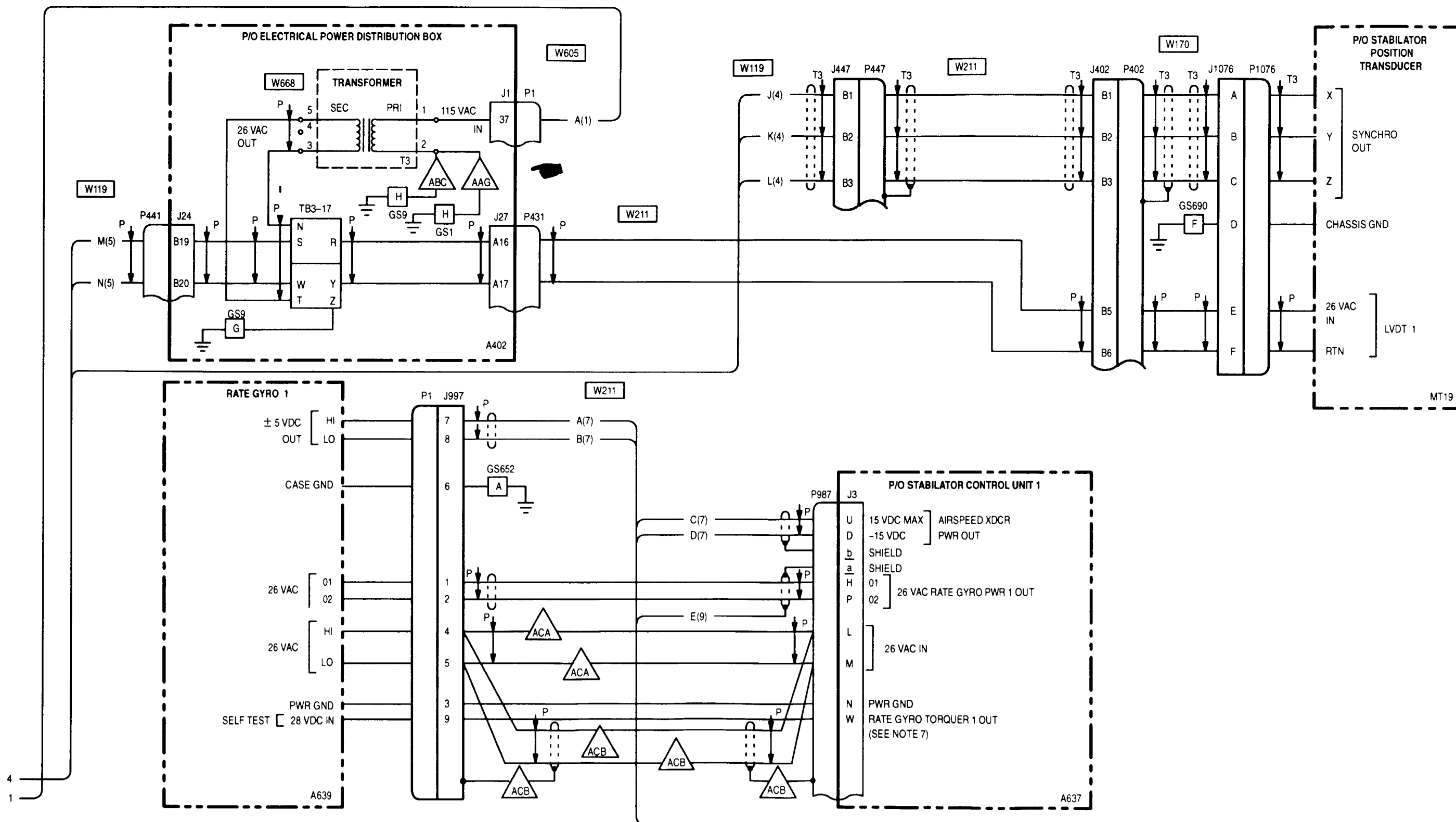
12-4. STABILATOR - WIRING DIAGRAM (cont)



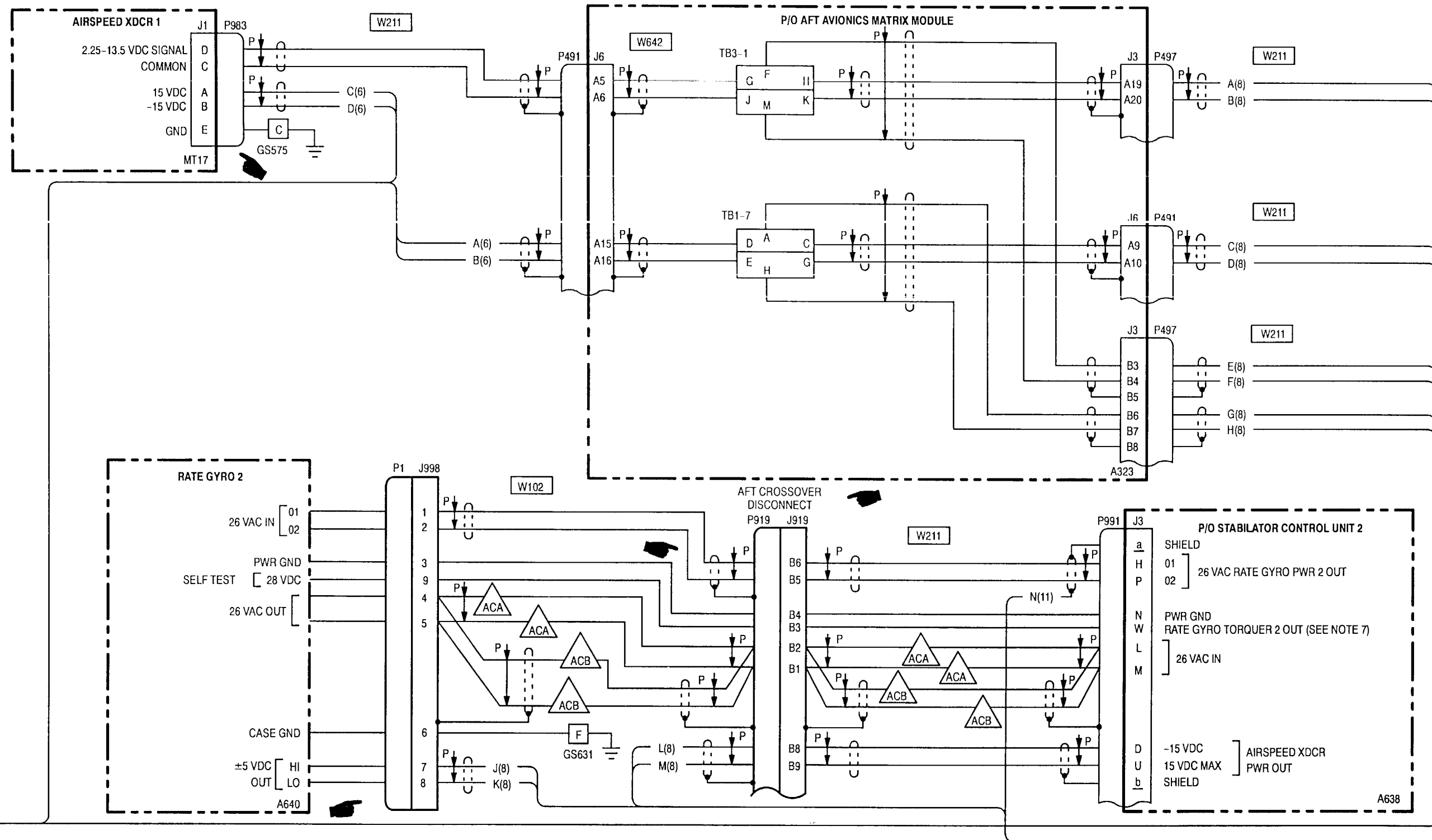
4
1
2
3

4
1

12-4. STABILATOR - WIRING DIAGRAM (cont)



12-4. STABILATOR - WIRING DIAGRAM (cont)

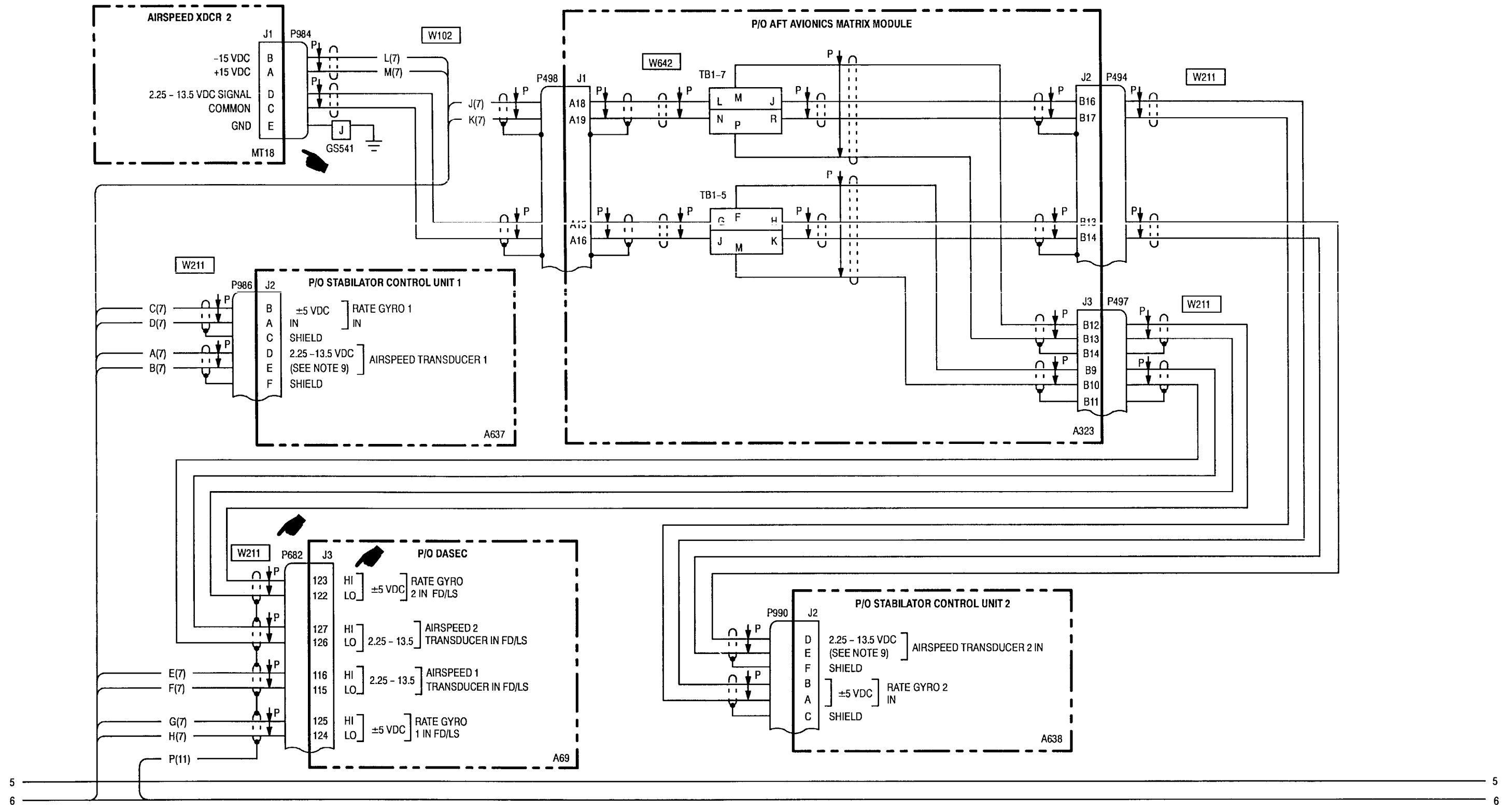


5

5

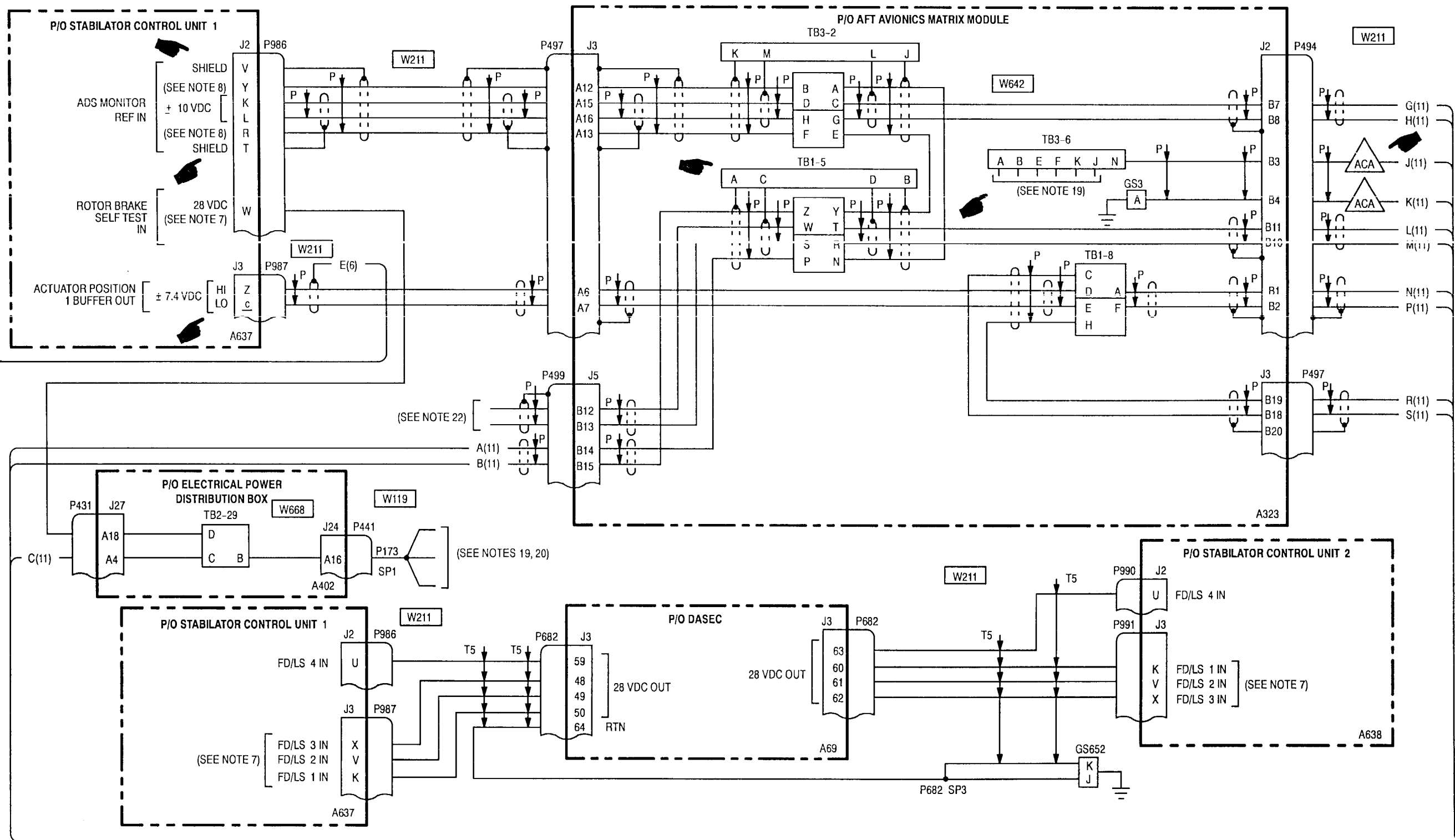
6

12-4. STABILATOR - WIRING DIAGRAM (cont)



5
6

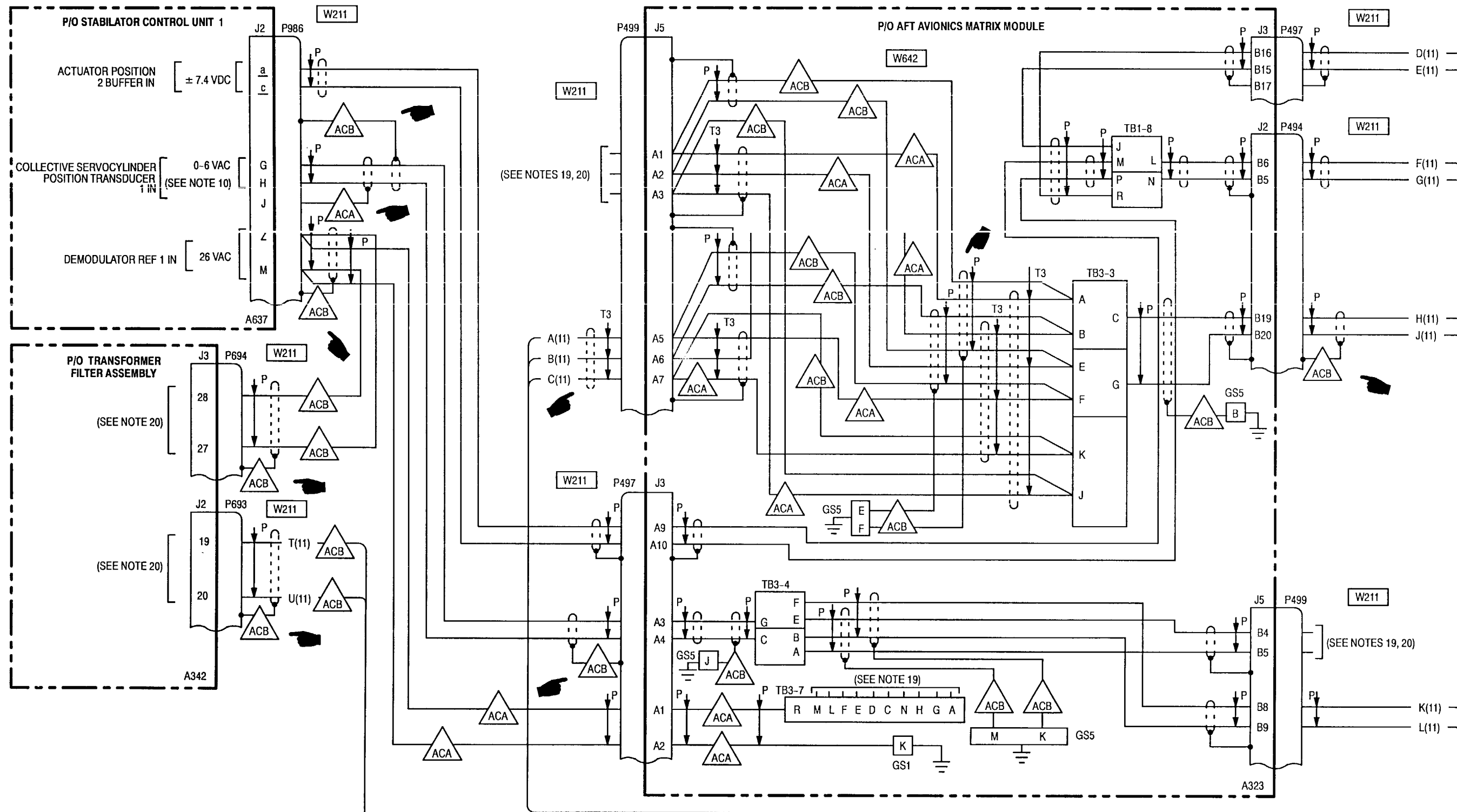
12-4. STABILATOR - WIRING DIAGRAM (cont)



5
6

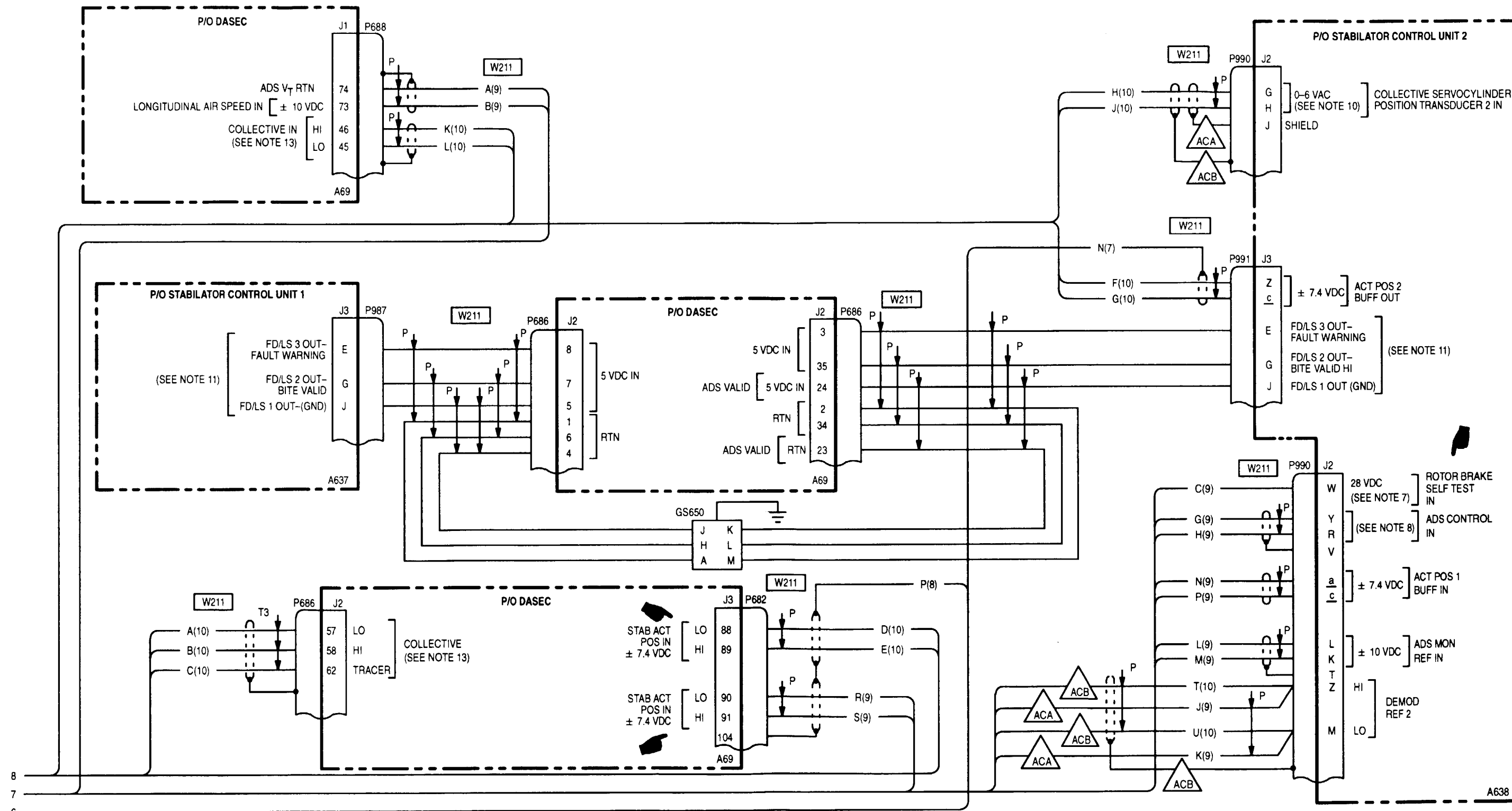
7
6

12-4. STABILATOR - WIRING DIAGRAM (cont)



7
7
6

12-4. STABILATOR - WIRING DIAGRAM (cont)



8
7
6

NOTES:

1. MAGNETICALLY HELD IN ON POSITION AFTER MANUALLY SET TO ON.
2. POLARITY REVERSES WITH CHANGE FROM EXTEND TO RETRACT.
3. GROUND WHEN RESET SWITCH ON PILOT OR CPG COLLECTIVE STICK DEPRESSED.
4. PINS SHORTED BELOW 80 KNOTS; PINS OPEN ABOVE 80 KNOTS.
5. NORMALLY OPEN; GROUND FOR 0.25 SEC WHEN ACCELERATING THROUGH 80 KNOTS. (RESET TO AUTO).
6. MOTOR POSITION XDCC EXCITATION:
 - +15 VDC MAX (HI OUT)
 - 15 VDC MAX (LO OUT)
 - SIG 7 \pm 4 VDC MAX (IN).
7. +28 VDC IN GROUND; ZERO VDC AIRBORNE.
8. ZERO VDC - ZERO KNOTS
 - +2 VDC - 50 KNOTS
 - +13.5 VDC - 210 KNOTS
9. +2.25 VDC - ZERO TO 30 KNOTS.
10. 5 TO 6 VAC AT COLLECTIVE MAX TRAVEL.
11. NO FAILURE \pm 5 VDC; FAILURE - GND.
12. REFER TO PARAGRAPH 9-27. AUDIO WARNING - WIRING DIAGRAM.
13. COLLECTIVE SERVOCYLINDER LVDT SIGNAL IN:
 - 5 TO 6 VAC AT COLLECTIVE FULL DOWN.
14. VARIES BETWEEN MAXIMUM LIMITS SHOWN DEPENDENT ON AIRSPEED CHANGE DATA.
15. REFER TO PARAGRAPH 9-12. CIRCUIT PROTECTION (DC ESSENTIAL BUS 3 - PILOT STATION) - WIRING DIAGRAM.
16. REFER TO PARAGRAPH 9-9. CIRCUIT PROTECTION (DC ESSENTIAL BUS 1 - PILOT STATION) - WIRING DIAGRAM.
17. REFER TO PARAGRAPH 9-5. CIRCUIT PROTECTION (AC ESSENTIAL BUS 1 - PILOT STATION) - WIRING DIAGRAM.
18. REFER TO PARAGRAPH 9-14. CIRCUIT PROTECTION (DC EMERGENCY BUS - PILOT STATION) - WIRING DIAGRAM.
19. REFER TO PARAGRAPH 12-1. DASE - WIRING DIAGRAM (BUCS DEACTIVATED) (SERIAL NO. 82-23355 THRU 88-0199).
20. REFER TO PARAGRAPH 12-2. DASE - WIRING DIAGRAM (BUCS ACTIVATED) (SERIAL NO. 88-0200 AND SUBSEQUENT).
21. REFER TO PARAGRAPH 9-18. CAUTION AND WARNING - WIRING DIAGRAM.
22. REFER TO PARAGRAPH 2-1. AIR DATA SYSTEM (ADS) - WIRING DIAGRAM.

CHAPTER 13. FUEL SYSTEM WIRING DIAGRAM

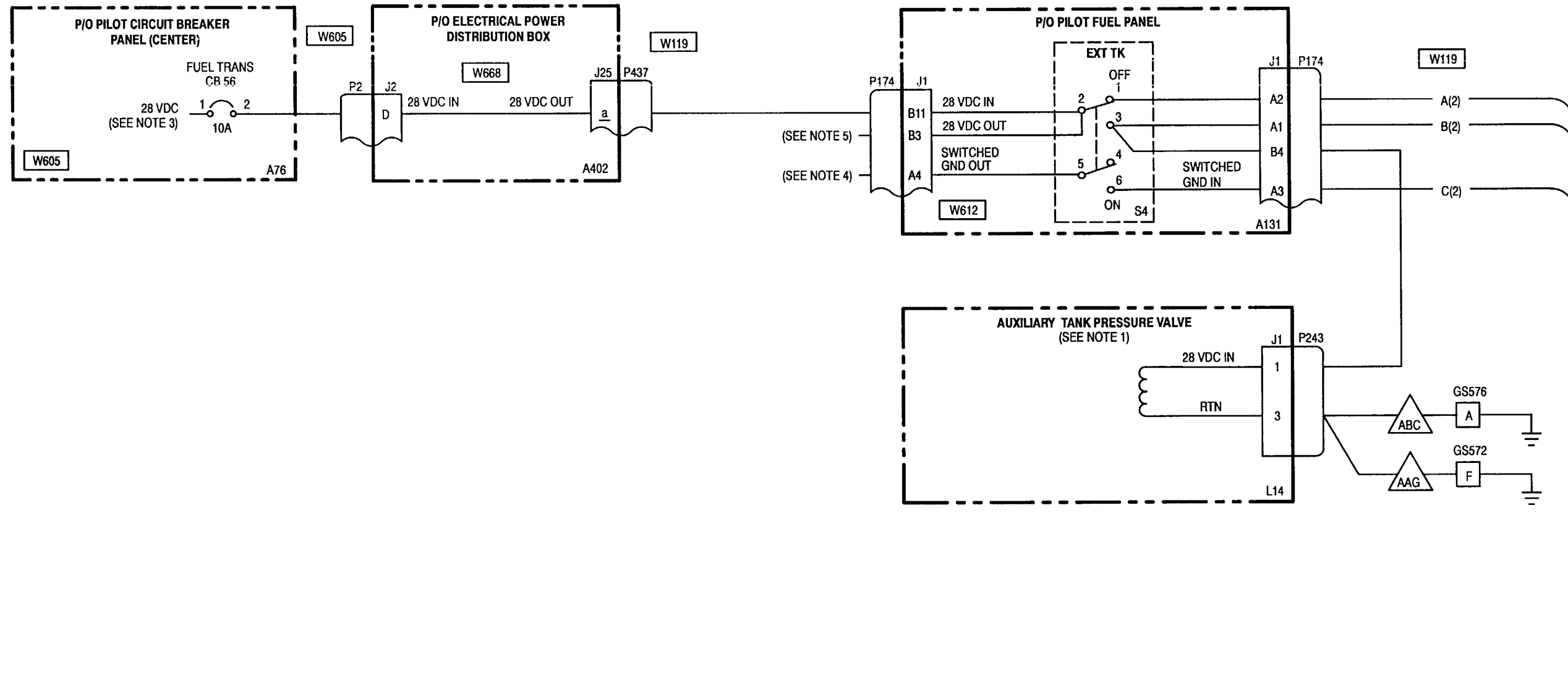
CHAPTER OVERVIEW

Chapter 13 contains wiring diagrams required for troubleshooting the fuel system.

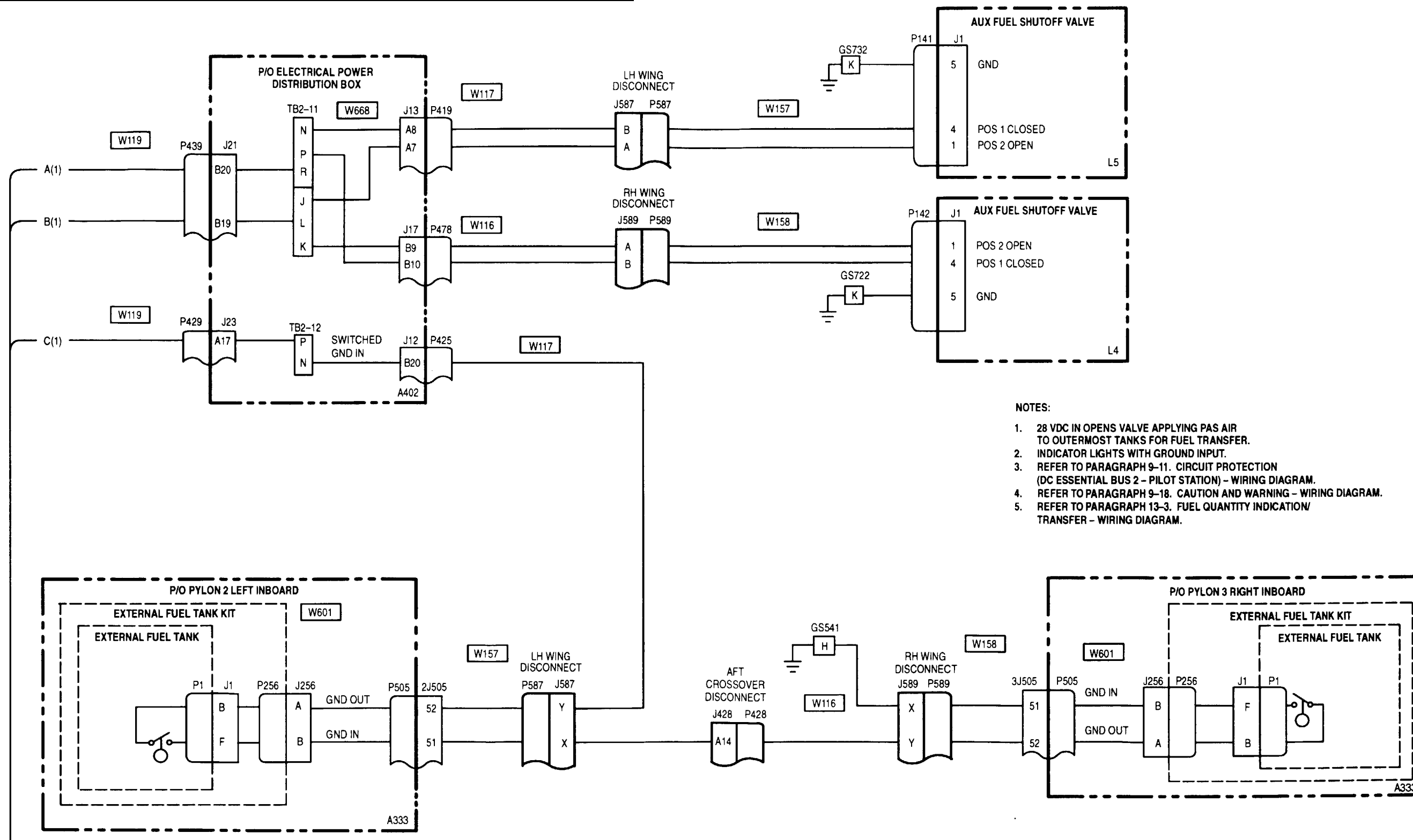
Chapter 13 is divided into the following paragraphs:

<u>Para Title</u>	<u>Para No.</u>
Auxiliary Fuel - Wiring Diagram	13-1
Fuel Crossfeed/Boost - Wiring Diagram	13-2
Fuel Quantity Indication/Transfer - Wiring Diagram	13-3
Pressure Refueling/Defueling - Wiring Diagram	13-4
Nitrogen Inerting - Wiring Diagram	13-5

13-1. AUXILIARY FUEL - WIRING DIAGRAM



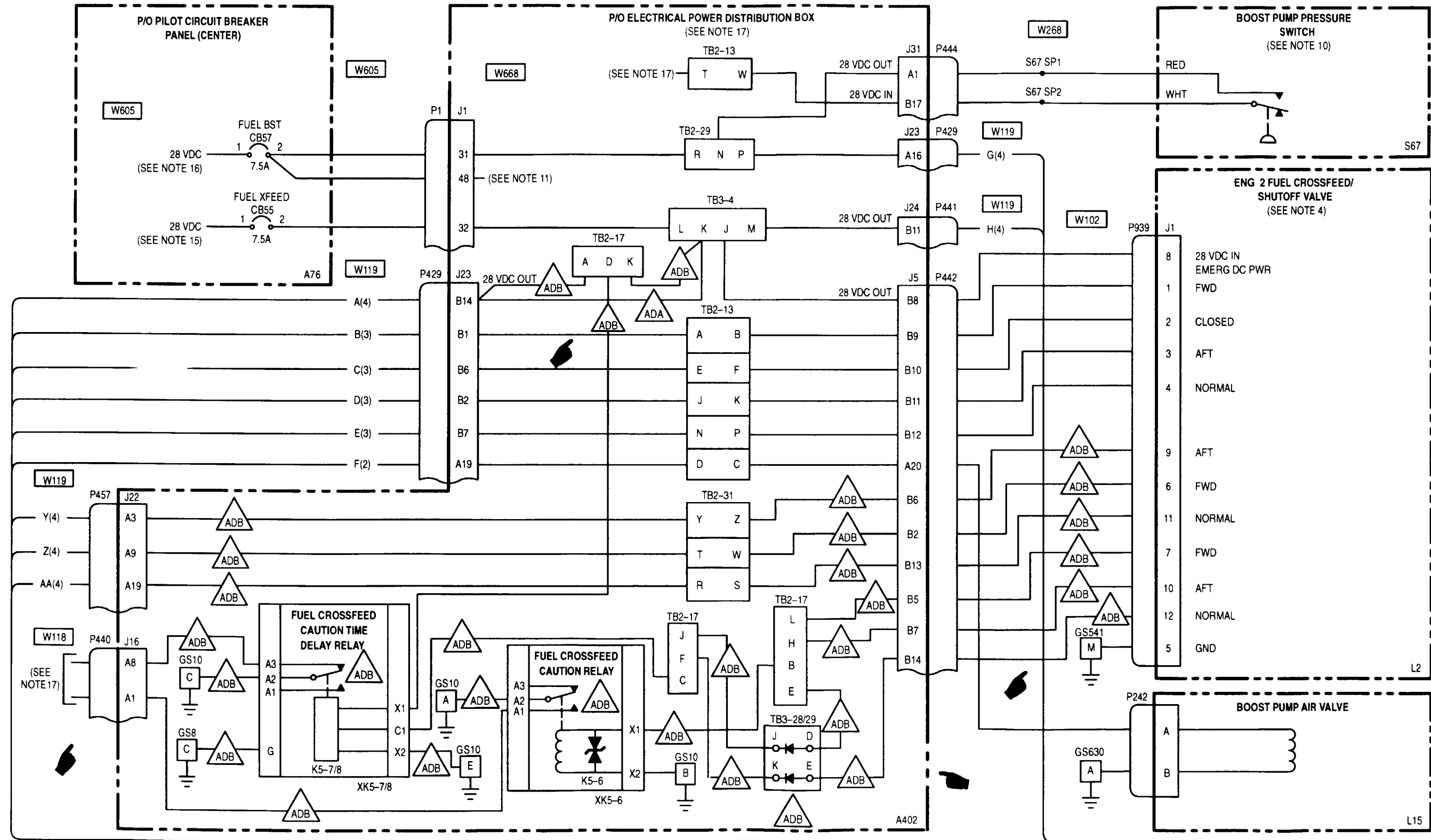
13-1. AUXILIARY FUEL - WIRING DIAGRAM (cont)



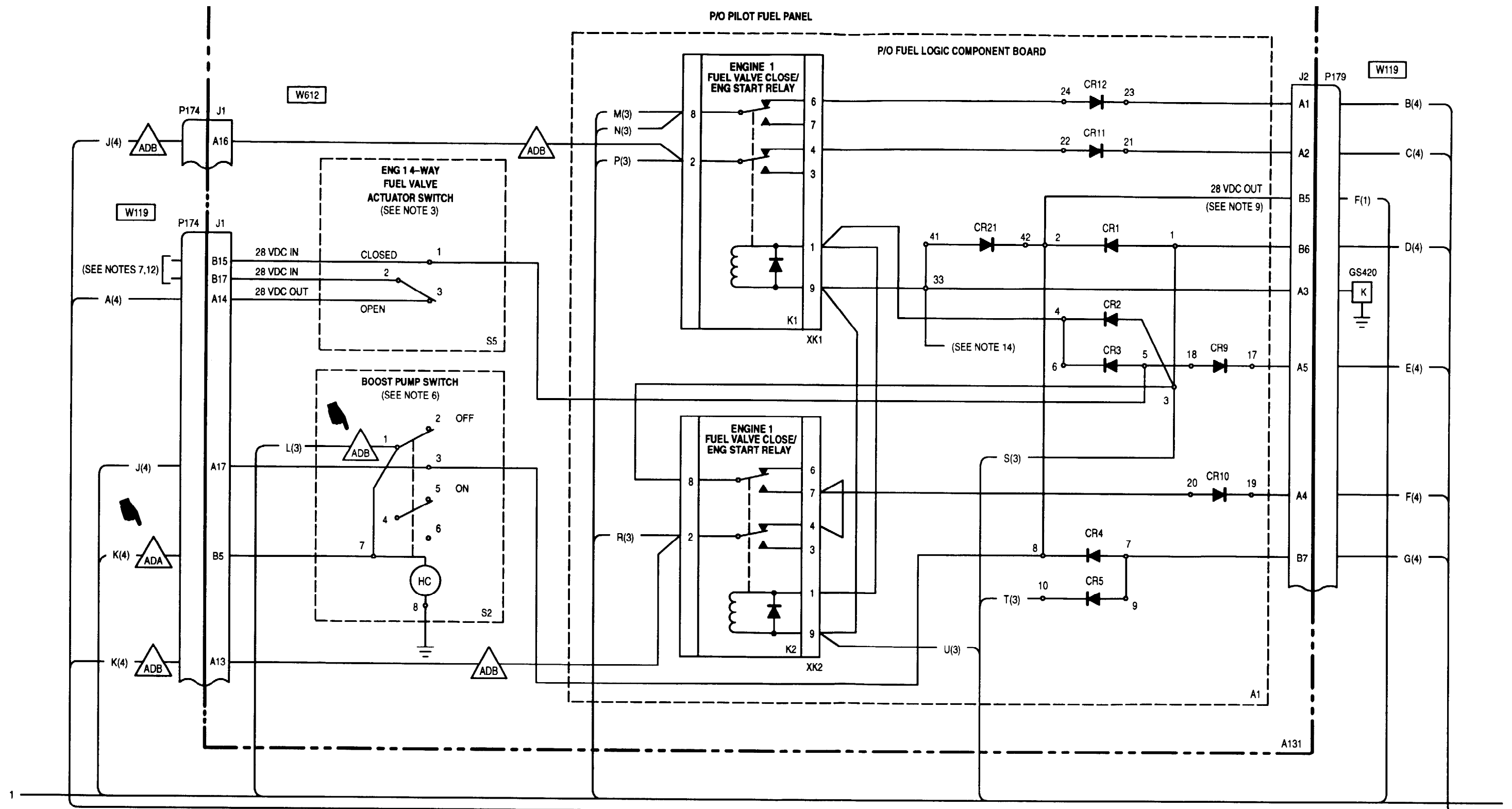
NOTES:

1. 28 VDC IN OPENS VALVE APPLYING PAS AIR TO OUTERMOST TANKS FOR FUEL TRANSFER.
2. INDICATOR LIGHTS WITH GROUND INPUT.
3. REFER TO PARAGRAPH 9-11. CIRCUIT PROTECTION (DC ESSENTIAL BUS 2 - PILOT STATION) - WIRING DIAGRAM.
4. REFER TO PARAGRAPH 9-18. CAUTION AND WARNING - WIRING DIAGRAM.
5. REFER TO PARAGRAPH 13-3. FUEL QUANTITY INDICATION/TRANSFER - WIRING DIAGRAM.

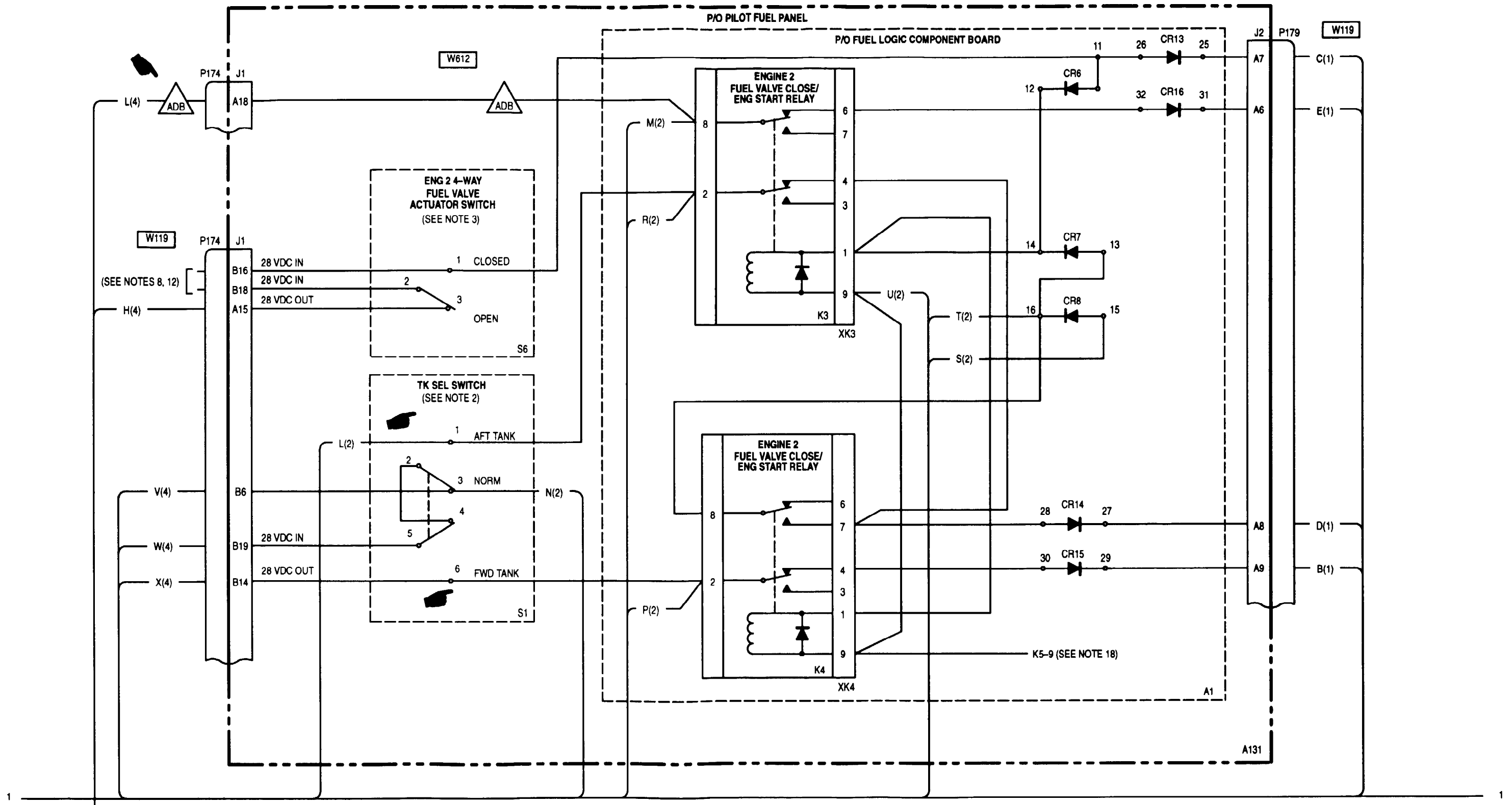
13-2. FUEL CROSSFEED/BOOST - WIRING DIAGRAM

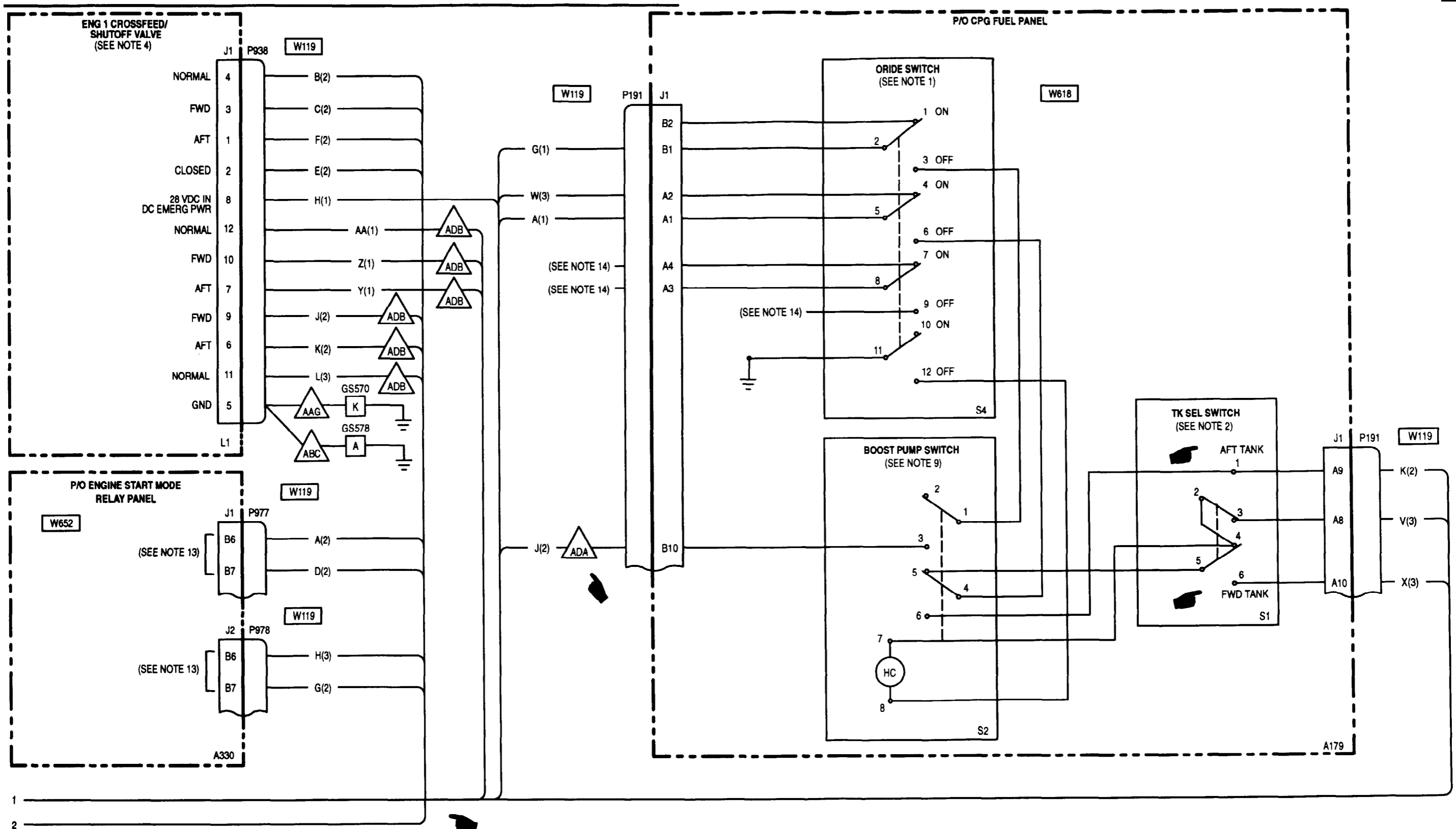


13-2. FUEL CROSSFEED/BOOST - WIRING DIAGRAM (cont)



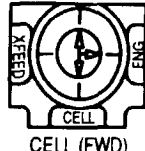
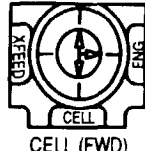
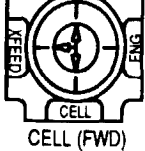
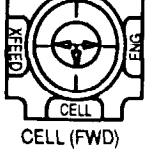
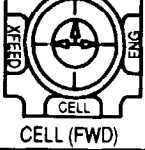
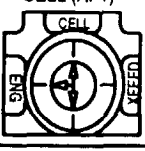
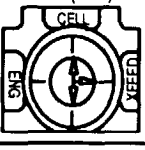
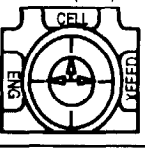
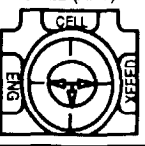
13-2. FUEL CROSSFEED/BOOST - WIRING DIAGRAM (cont)





1
2

13-2. FUEL CROSSFEED/BOOST - WIRING DIAGRAM (cont)

FUEL CROSSFEED DATA (SEE NOTE 4)										
	VALVE		28 VDC IN	SWITCH POSITIONS						
	POSITION AND FUEL FEED (SEE NOTE 5)			PILOT FUEL PANEL			CPG FUEL PANEL			
				SWITCH	POSITION	SWITCH TERMINALS CONNECTED	SWITCH	POSITION	SWITCH TERMINALS CONNECTED	
ENGINE 1 CROSSFEED/ SHUTOFF VALVE L1	NORMAL FWD CELL TO ENG 1	XFEED		J1-4	S5 S1	ON NORM QB	2-3 2-3,4-5	S4 S1	PLT QB CPG NORM	1-2,4-5,7-8 2-3,5-6,8-9 2-3,4-5
	CLOSED NO FUEL TO ENG 1/ FUEL TO ENG 2 FROM FWD TANK	XFEED		J1-2	S5 S1	OFF NORM	1-2 2-3,4-5	(NOT APPLICABLE)		
	FORWARD FWD CELL TO ENG 1 AND CROSSFEED ENG 2	XFEED		J1-3	S5 S1 S5 S1	ON FWD TK QB ON (NOT APPLICABLE)	2-3 2-3,5-6	S4 S4 S1	PLT QB CPG FROM FWD	1-2,4-5,7-8 2-3,5-6,8-9 2-3,5-6
	AFT CROSSFEED TO ENG 1 (FWD CELL CLOSED)	XFEED		J1-1	S5 S1 S5 S1	ON AFT TK QB ON (NOT APPLICABLE)	2-3 1-2,4-5	S4 S4 S1	PLT QB CPG FROM AFT	1-2,4-5,7-8 2-3,5-6,8-9 1-2,4-5
ENGINE 2 CROSSFEED/ SHUTOFF VALVE L2	NORMAL AFT CELL TO ENG 2	ENG(2)		J1-4	S6 S1 S6 S1	ON NORM QB ON (NOT APPLICABLE)	2-3 2-3,4-5	S4 S4 S1	PLT QB CPG NORM	1-2,4-5,7-8 2-3,5-6,8-9 2-3,4-5
	CLOSED NO FUEL TO ENG 2/ FUEL TO ENG 1 FROM AFT TANK	ENG(2)		J1-2	S6 S1	OFF (NOT APPLICABLE)	1-2	S4 S1	(NOT APPLICABLE) (NOT APPLICABLE)	
	AFT AFT CELL TO ENG 2 AND CROSSFEED ENG 1	ENG(2)		J1-3	S6 S1 S6 S1	ON AFT TK QB ON (NOT APPLICABLE)	2-3	S4 S1 S4 S1	PLT (NOT APPLICABLE) QB CPG FROM AFT	1-2,4-5,7-8 2-3,5-6,8-9 1-2,4-5
	FWD CROSSFEED TO ENG 2 FROM FWD TANK (AFT CELL CLOSED)	ENG(2)		J1-1	S6 S1 S6 S1	ON FWD TK QB ON (NOT APPLICABLE)	2-3 2-3,5-6	S4 S1 S4 S1	PLT (NOT APPLICABLE) QB CPG FROM FWD	1-2,4-5,7-8 2-3,5-6,8-9 2-3,5-6

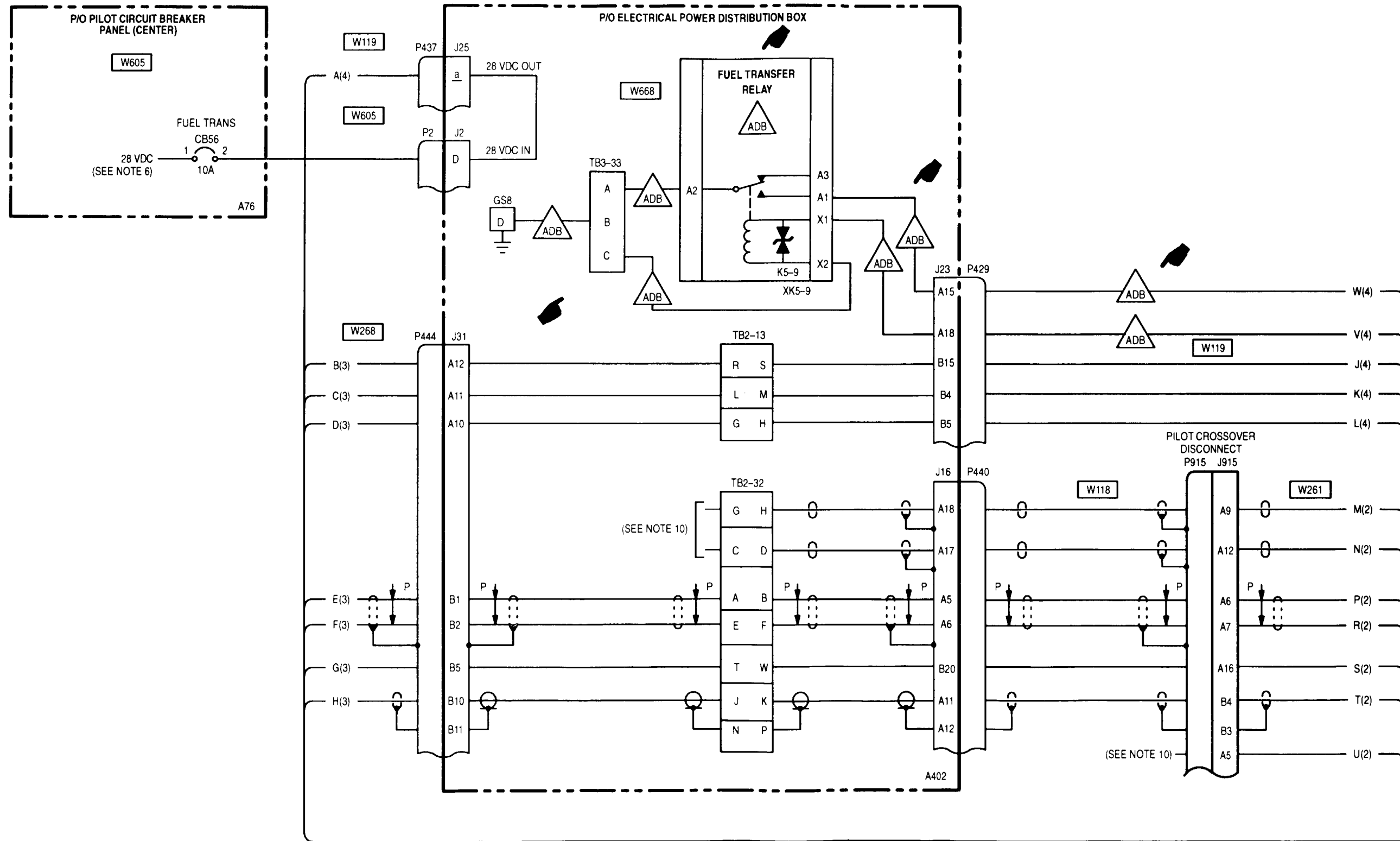
NOTES:

1. ENABLES AND DISABLES PILOT AND CPG FUEL PANELS.
2. SELECTS FUEL TANK (CELL) TO SUPPLY FUEL TO ENGINES.

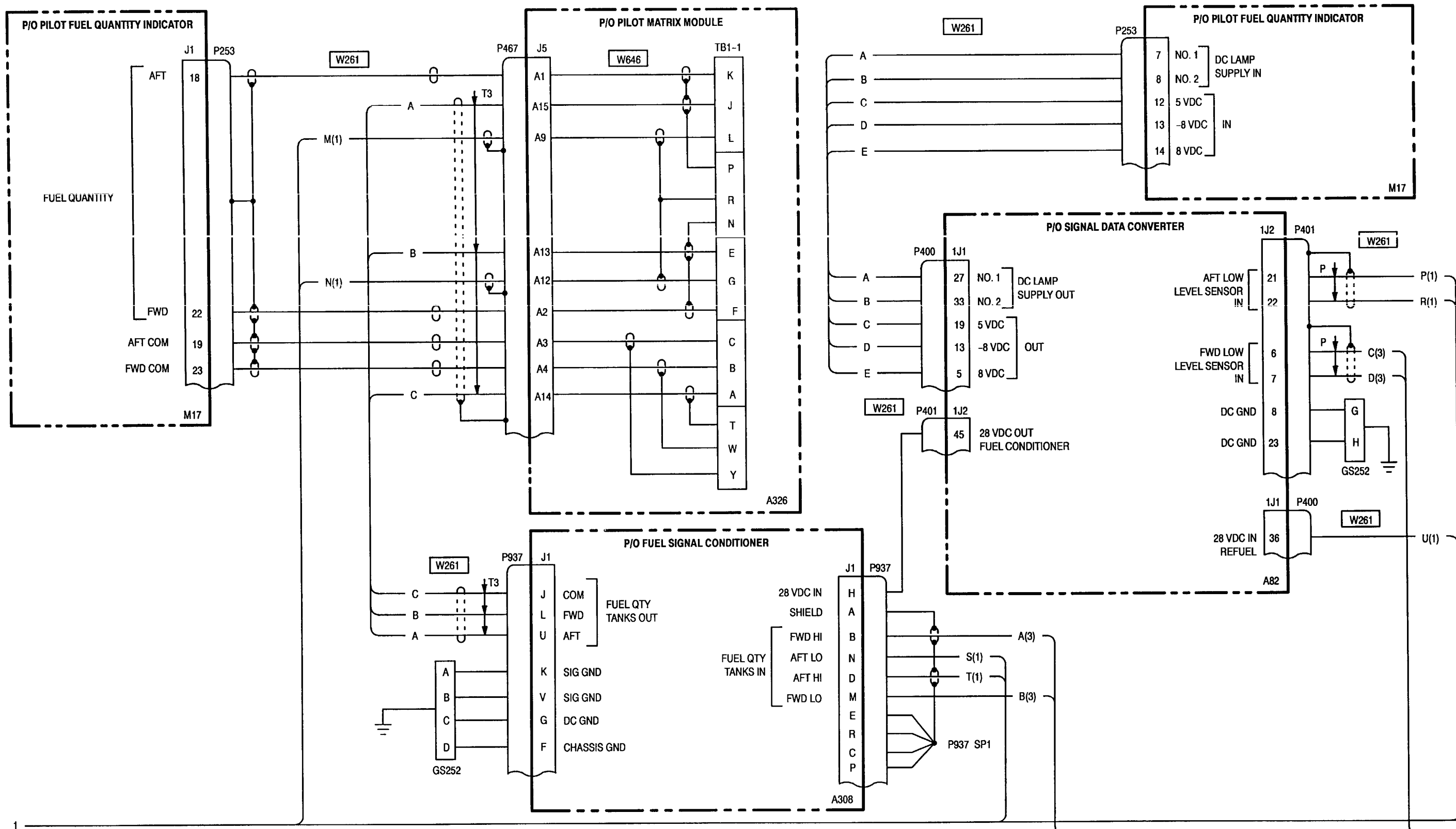
<u>SWITCH POSITION</u>	<u>TERMINALS CONNECTED</u>
CPG FROM FWD;	2-3, 5-6
PILOT FWD TANK	
CPG FROM AFT;	1-2, 4-5
PILOT AFT TANK	
NORM (CPG AND PILOT)	2-3, 4-5
3. PROVIDES 28 VDC TO NORMAL OR CLOSED CIRCUITS OF ASSOCIATED FUEL CROSSFEED/SHUTOFF VALVE AS SELECTED.

<u>SWITCH POSITION</u>	<u>28 VDC TO</u>
ON	NORMAL
OFF	CLOSED
4. SHOWS VALVE POSITIONS AND PORTS FOR FUEL CROSSFEED, CONTROL VOLTAGE TO VALVES, FUEL PANEL SWITCH POSITIONS AND CONNECTIONS FOR VALVE POSITIONS.
5. VALVE PORT LOCATIONS AND VALVE END VISIBLE POSITION INDICATOR.
6. USED ONLY FOR STARTING ENGINES AND HIGH ALTITUDE FLIGHT (HOLDING COIL HOLDS SWITCH AT BOOST POSITION IF AFT TANK IS SELECTED BY S1).
7. PROVIDES 28 VDC TO S5 AND S6 ON PILOT FUEL PANEL FOR NORMAL OPERATION. (WHEN EITHER CPG FIRE HANDLE IS PULLED THE 28 VDC IS ROUTED THROUGH ASSOCIATED PILOT FIRE HANDLE (NOT SHOWN) AND S5 AND S6 OF PILOT FUEL PANEL TO CLOSE SELECTED ENGINE FUEL CROSSFEED/SHUTOFF VALVE).
8. PROVIDES 28 VDC THRU S5 AND S6 ON PILOT FUEL PANEL TO CLOSED TERMINAL OF SELECTED ENGINE FUEL CROSSFEED/SHUTOFF VALVE, WHEN EITHER THE PILOT OR CPG FIRE HANDLES ARE PULLED (S2 OR S3, WHICH ARE NORMALLY OPEN).
9. PROVIDES 28 VDC TO BOOST PUMP AIR VALVE (L15) DURING EITHER ENGINE START SEQUENCE OR WHEN BOOST PUMP SWITCH IS ON.
10. CLOSURES WITH BOOST PUMP PRESSURE TO APPLY 28 VDC TO LIGHT BOOST PUMP INDICATOR.
11. REFER TO PARAGRAPH 5-1. AUXILIARY POWER UNIT (APU) - WIRING DIAGRAM.
12. REFER TO PARAGRAPH 25-6. FIRE DETECTION AND EXTINGUISHING - WIRING DIAGRAM.
13. REFER TO PARAGRAPH 23-1. POWER PLANTS - WIRING DIAGRAM.
14. REFER TO PARAGRAPH 13-3. FUEL QUANTITY INDICATION/TRANSFER - WIRING DIAGRAM.
15. REFER TO PARAGRAPH 9-14. CIRCUIT PROTECTION (DC EMERGENCY-PILOT STATION) - WIRING DIAGRAM.
16. REFER TO PARAGRAPH 9-11. CIRCUIT PROTECTION (DC ESSENTIAL BUS 2-PILOT STATION) - WIRING DIAGRAM.
17. REFER TO PARAGRAPH 9-18. CAUTION AND WARNING - WIRING DIAGRAM.
18. REFER TO PARAGRAPH 13-4. PRESSURE REFUELING/DEFUELING - WIRING DIAGRAM.

13-3. FUEL QUANTITY INDICATION/TRANSFER - WIRING DIAGRAM



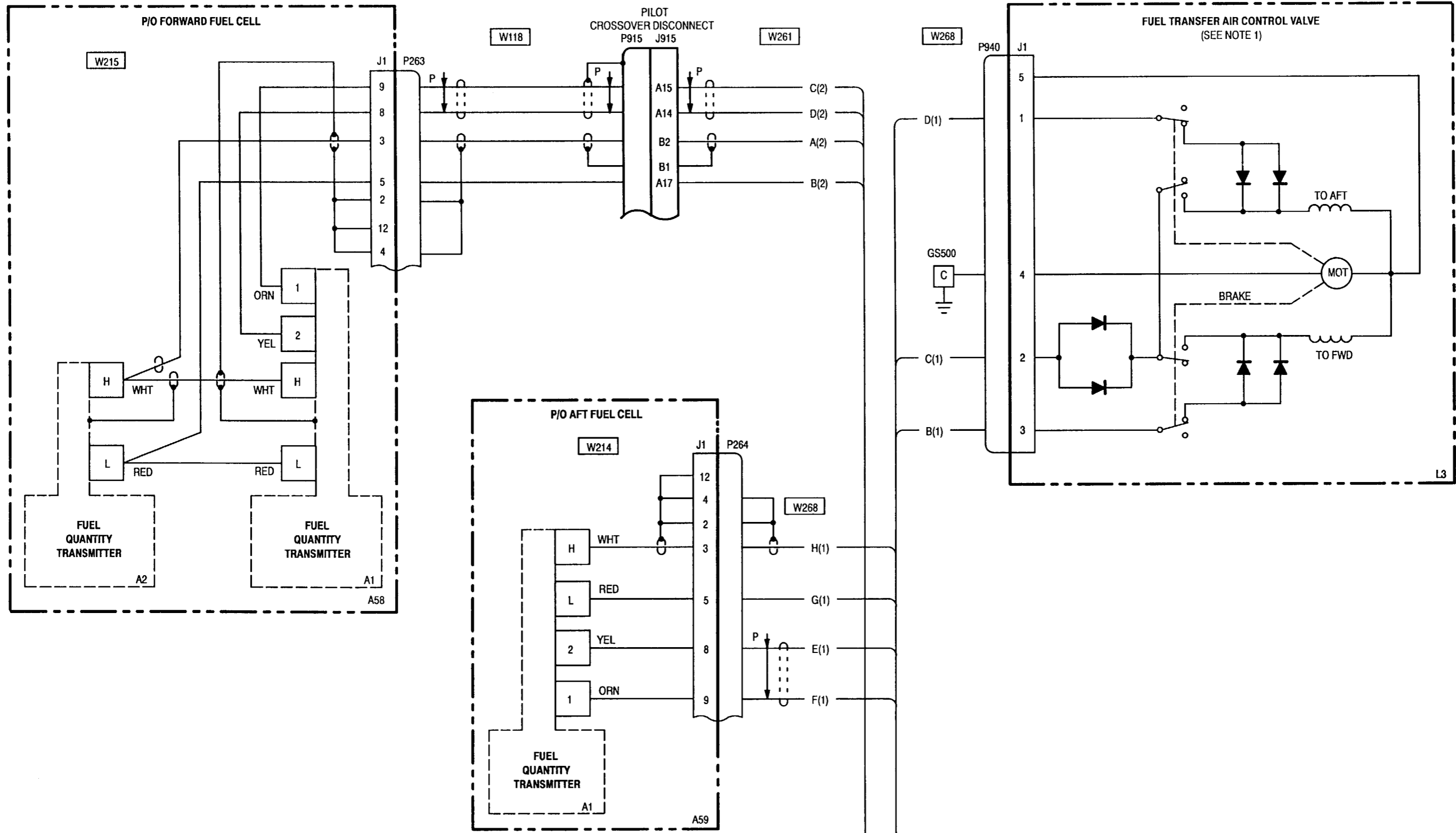
13-3. FUEL QUANTITY INDICATION/TRANSFER - WIRING DIAGRAM (cont)



1

2

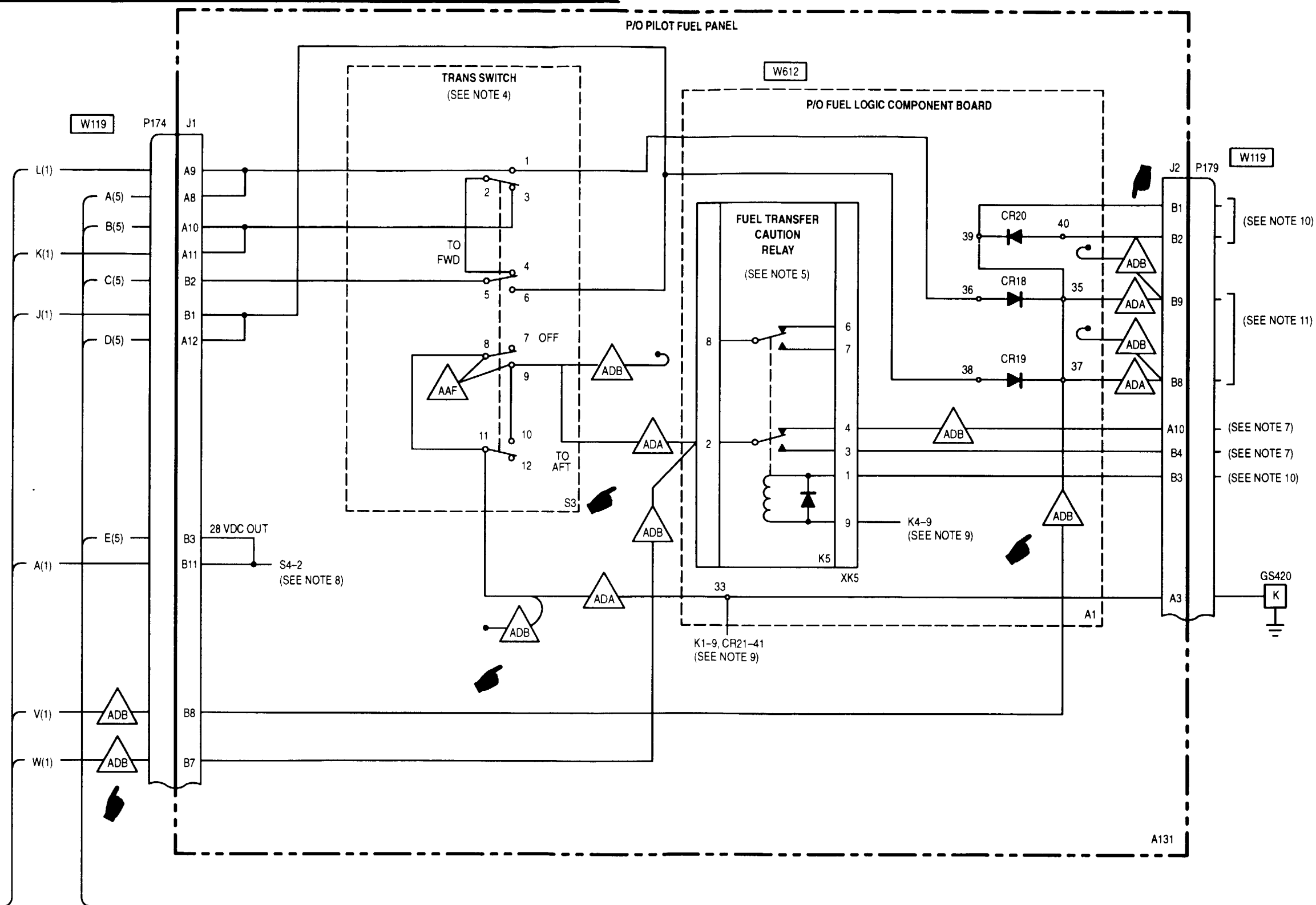
13-3. FUEL QUANTITY INDICATION/TRANSFER - WIRING DIAGRAM (cont)

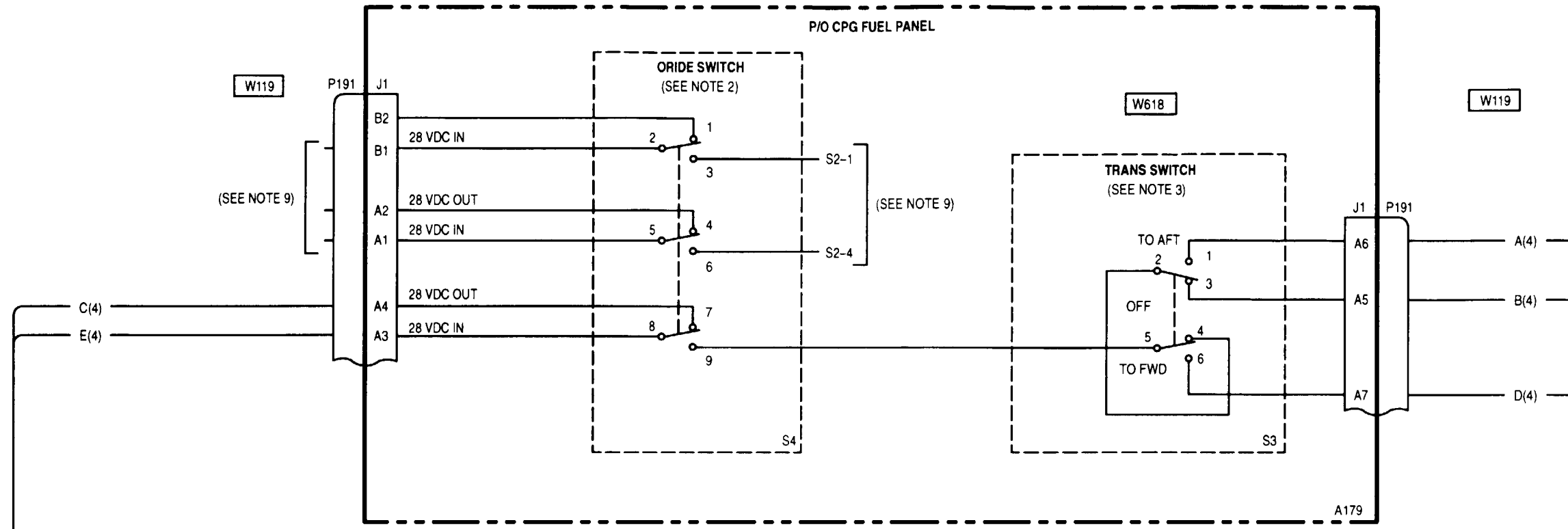


1
2

1

13-3. FUEL QUANTITY INDICATION/TRANSFER - WIRING DIAGRAM (cont)





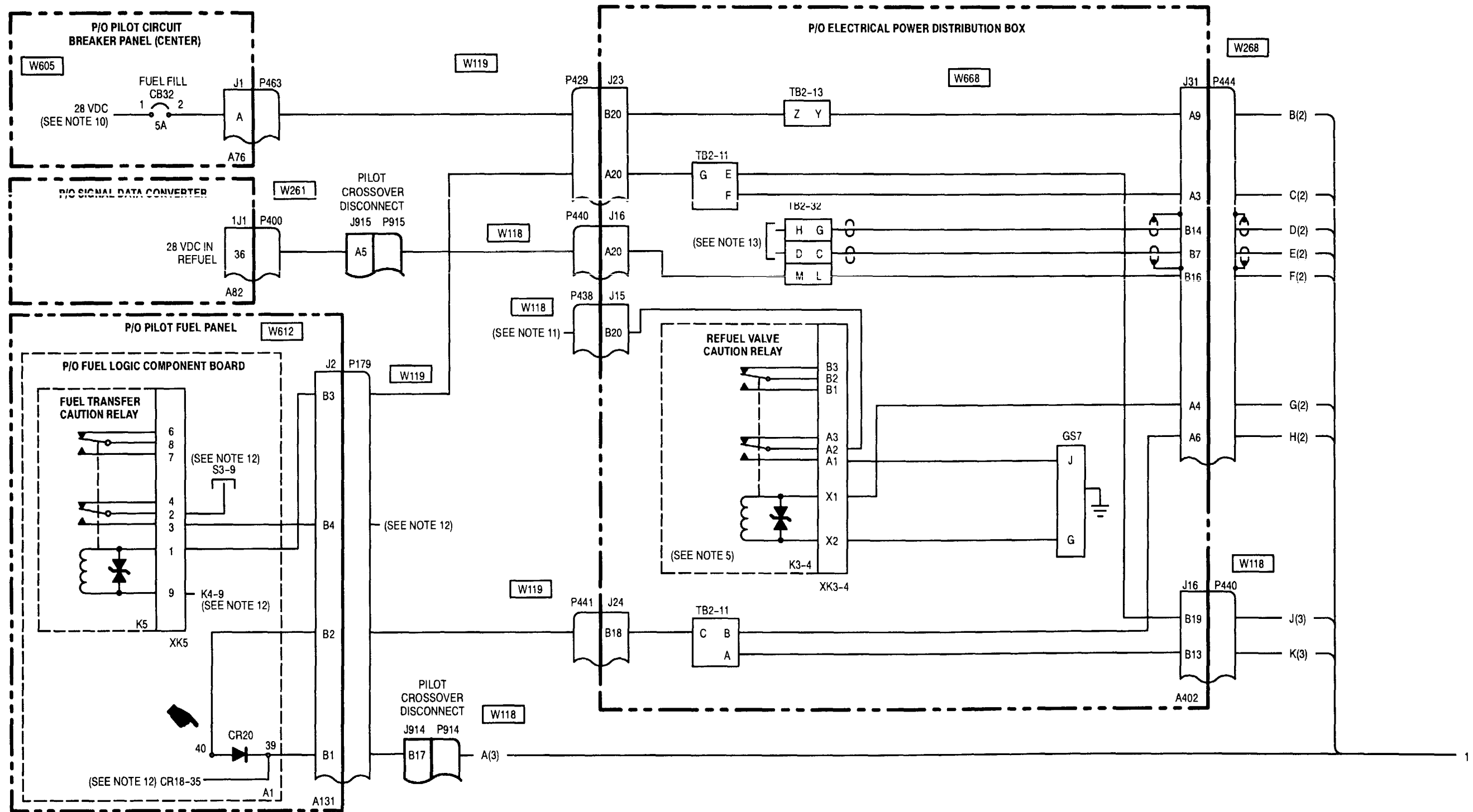
NOTES:

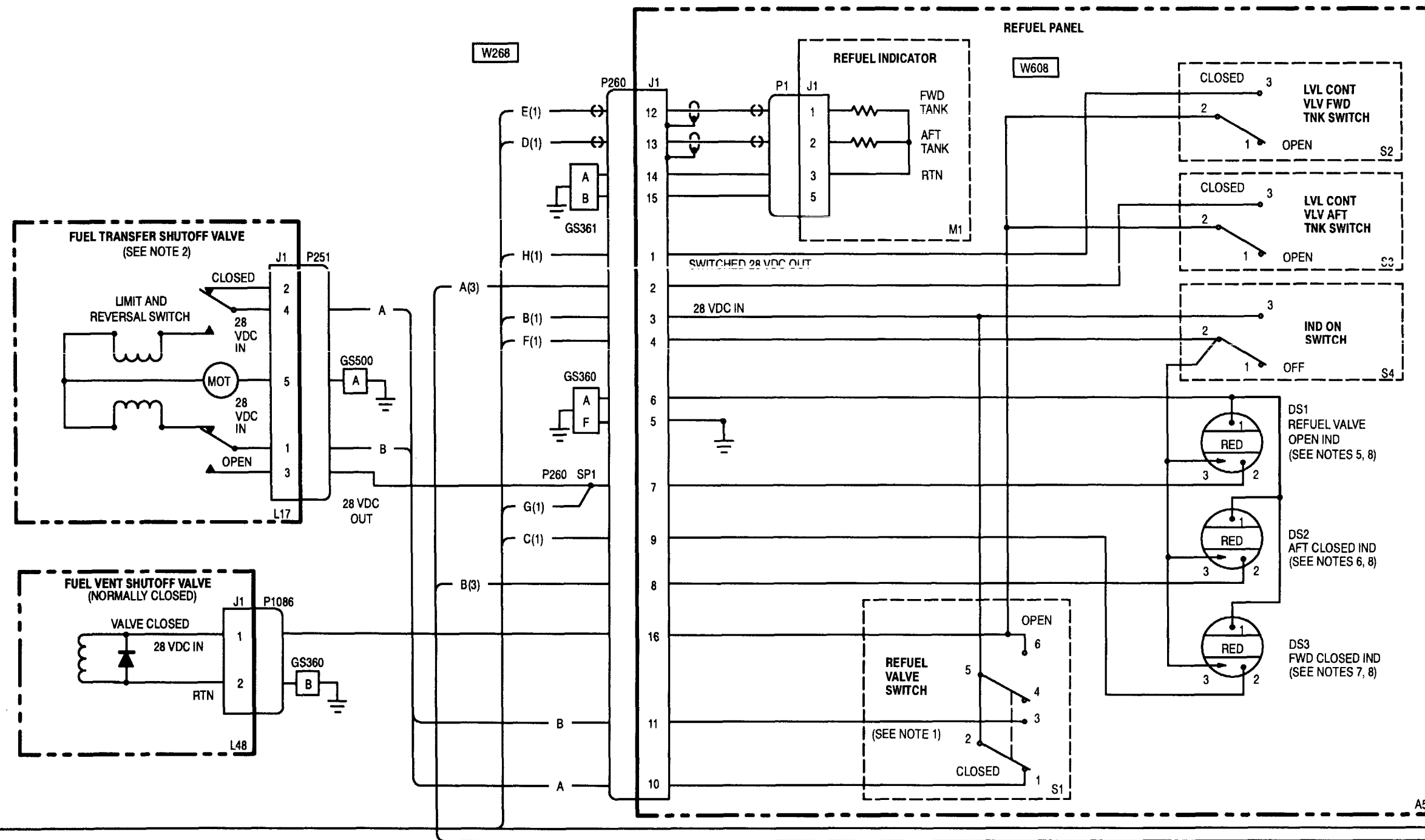
1. DIRECT PAS AIR TO CONTROL FUEL TRANSFER PUMP, TO TRANSFER FUEL TO FORWARD OR AFT FUEL CELL (INTERNAL SWITCH CONTACTS ALLOW CONTROL OF VALVE REVERSAL POSITIONS).
2. SELECTS AND ENABLES PILOT OR CPG FUEL PANEL FOR USE AS MARKED.
3.

POSITION	CONTINUITY BETWEEN
TO FWD	2-3, 5-6
OFF	2-3, 4-5
TO AFT	1-2, 4-5
4.

POSITION	CONTINUITY BETWEEN
TO FWD	2-3, 5-6, 8-9, 11-12
OFF	2-3, 4-5, 7-8, 11-12
TO AFT	1-2, 4-5, 7-8, 10-11
5. CLOSSES ONLY WHEN TRANSFERRED FUEL FILLS SELECTED TANK, WHICH CLOSSES ASSOCIATED FUEL VALVE SWITCH.
6. REFER TO PARAGRAPH 9-11. CIRCUIT PROTECTION (DC ESSENTIAL BUS 2-PILOT STATION) - WIRING DIAGRAM.
7. REFER TO PARAGRAPH 9-18. CAUTION AND WARNING - WIRING DIAGRAM.
8. REFER TO PARAGRAPH 13.1. AUXILIARY FUEL - WIRING DIAGRAM.
9. REFER TO PARAGRAPH 13-2. FUEL CROSSFEED/BOOST - WIRING DIAGRAM.
10. REFER TO PARAGRAPH 13-4. PRESSURE REFUELING/DEFUELING - WIRING DIAGRAM.
11. REFER TO PARAGRAPH 9-19. EDGE LIGHTS - WIRING DIAGRAM.

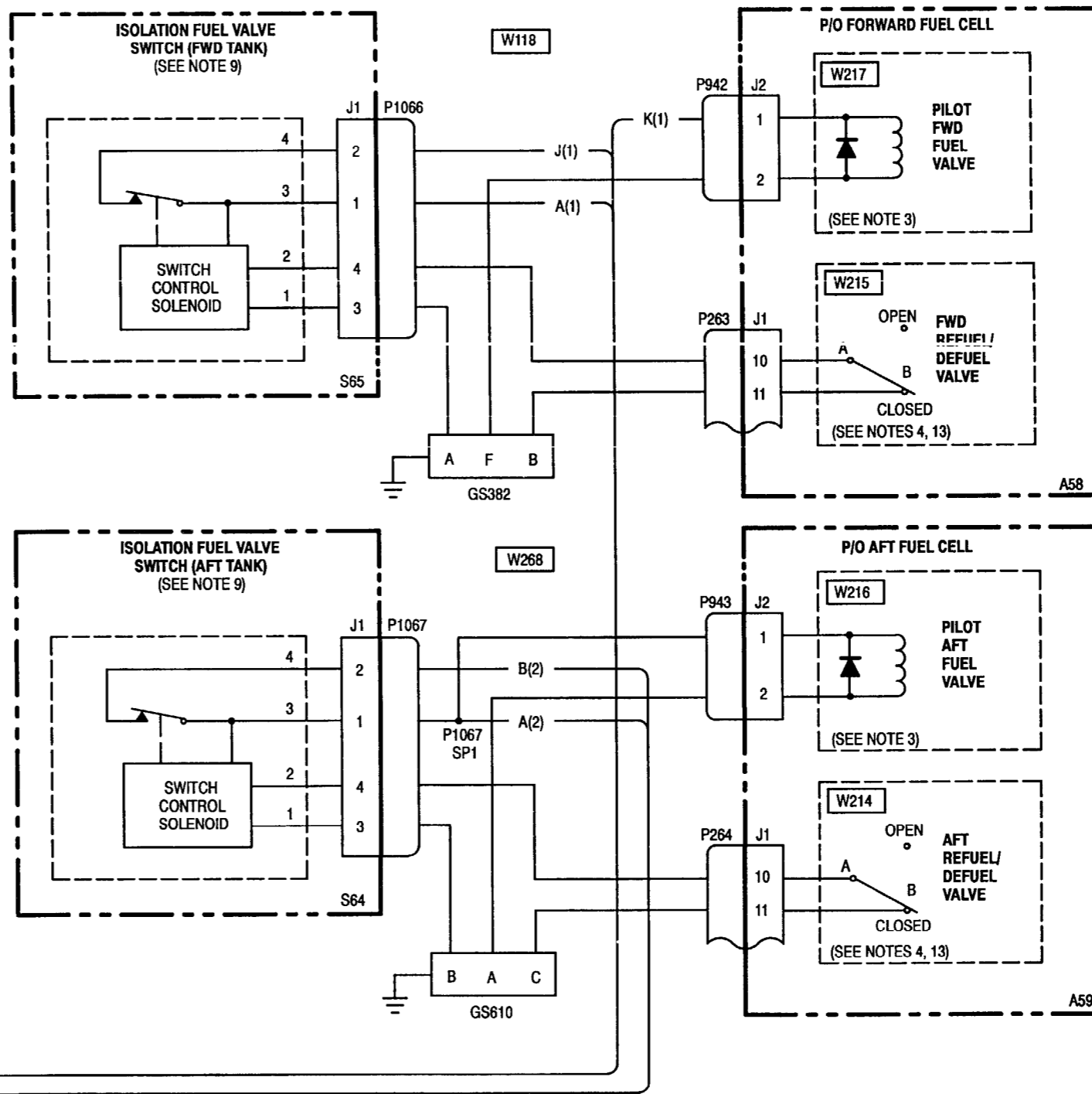
13-4. PRESSURE REFUELING/DEFUELING - WIRING DIAGRAM



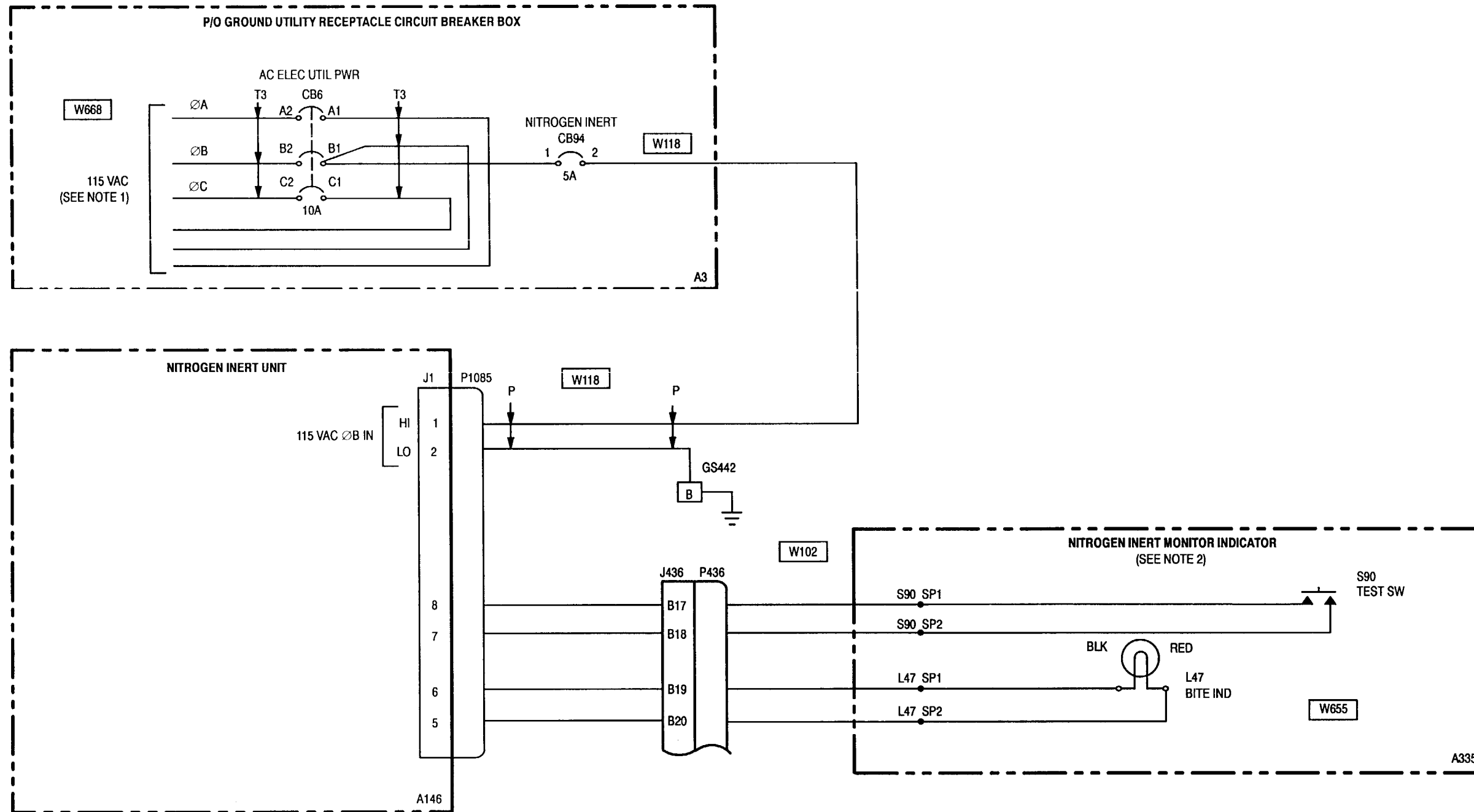


NOTES:

1. CONTROLS FUEL TRANSFER SHUTOFF VALVE L17.
2. MUST BE CLOSED FOR FUEL TRANSFER (INERTIAL SWITCH SHOWN AT VALVE CLOSED POSITION).
3. CLOSING FLOAT BOWL OUTLET WITH 28 VDC IN TO ALLOW FLOAT AND POPPET TO INCREASE PRESSURE IN PILOT VALVE HOSE. WHEN TANK IS FULL OR WHEN TANK LEVEL CONTROL VALVE SWITCH IS AT CLOSE, THE INCREASED PRESSURE CLOSING ASSOCIATED REFUEL/DEFUEL VALVE.
4. TANK FILLS THROUGH THIS VALVE WHICH OPENS INTERNAL VALVE SWITCH WHEN FUEL FLOWS (REFUEL/DEFUEL VALVE CONTROLS ISOLATION FUEL VALVE SWITCH).
5. DS1 AND REFUEL VALVE OPEN INDICATOR LIGHTS WHEN RELAY K3-4 ENERGIZES AT OPEN POSITION OF VALVE L17.
6. LIGHTS AT CLOSING OF AFT REFUEL/DEFUEL VALVE BY CLOSING S3 ONLY.
7. LIGHTS AT CLOSING OF FWD REFUEL/DEFUEL VALVE BY CLOSING S2 ONLY.
8. WITH S4 ON - DS1, DS2 AND DS3 LIGHT WHEN PRESSED THROUGH CONTACT 3 (PRESS TO TEST).
9. GROUND SIGNAL MUST BE PROVIDED THROUGH CONTACT 2 (FROM REFUEL/DEFUEL VALVE SWITCH) BEFORE SWITCH CONTROL SOLENOID GROUND CAN BE PROVIDED THROUGH CONTACT 1.
10. REFER TO PARAGRAPH 9-14. CIRCUIT PROTECTION (DC EMERGENCY BUS-PILOT STATION) - WIRING DIAGRAM.
11. REFER TO PARAGRAPH 9-18. CAUTION AND WARNING - WIRING DIAGRAM.
12. REFER TO PARAGRAPH 13-3. FUEL QUANTITY INDICATION/TRANSFER - WIRING DIAGRAM.
13. PIN 10=TRIGGER (GREEN).
PIN 11=GROUND (BLACK).
14. REFER TO PARAGRAPH 13-2. FUEL CROSSFEED/BOOST - WIRING DIAGRAM.



1
2



NOTES:

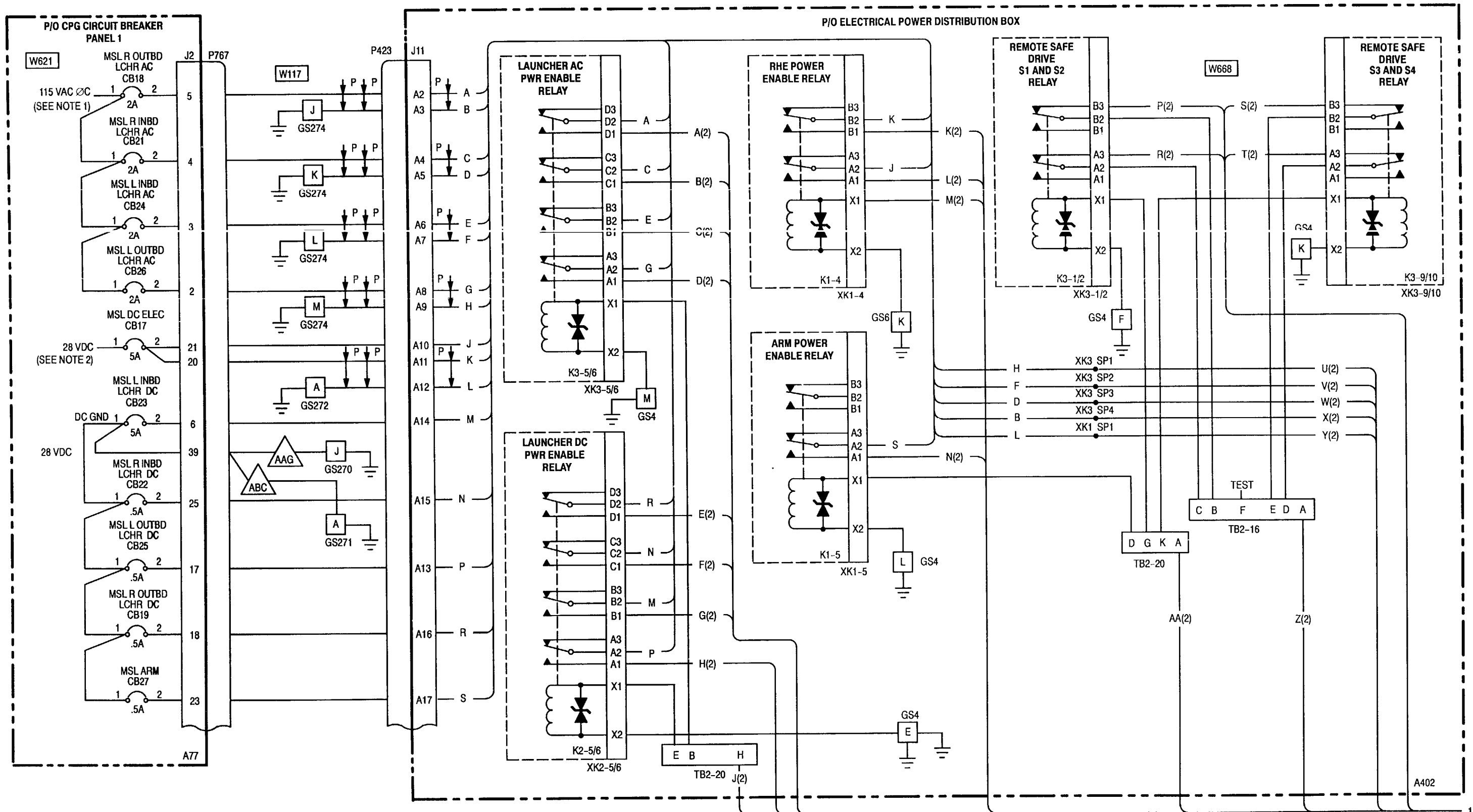
1. REFER TO PARAGRAPH 9-3. EXTERNAL POWER AND GROUND SERVICE UTILITY CONNECTOR - WIRING DIAGRAM.
2. LOCATED IN AFT AVIONICS BAY.

CHAPTER 14. HELLFIRE MISSILE - WIRING DIAGRAM

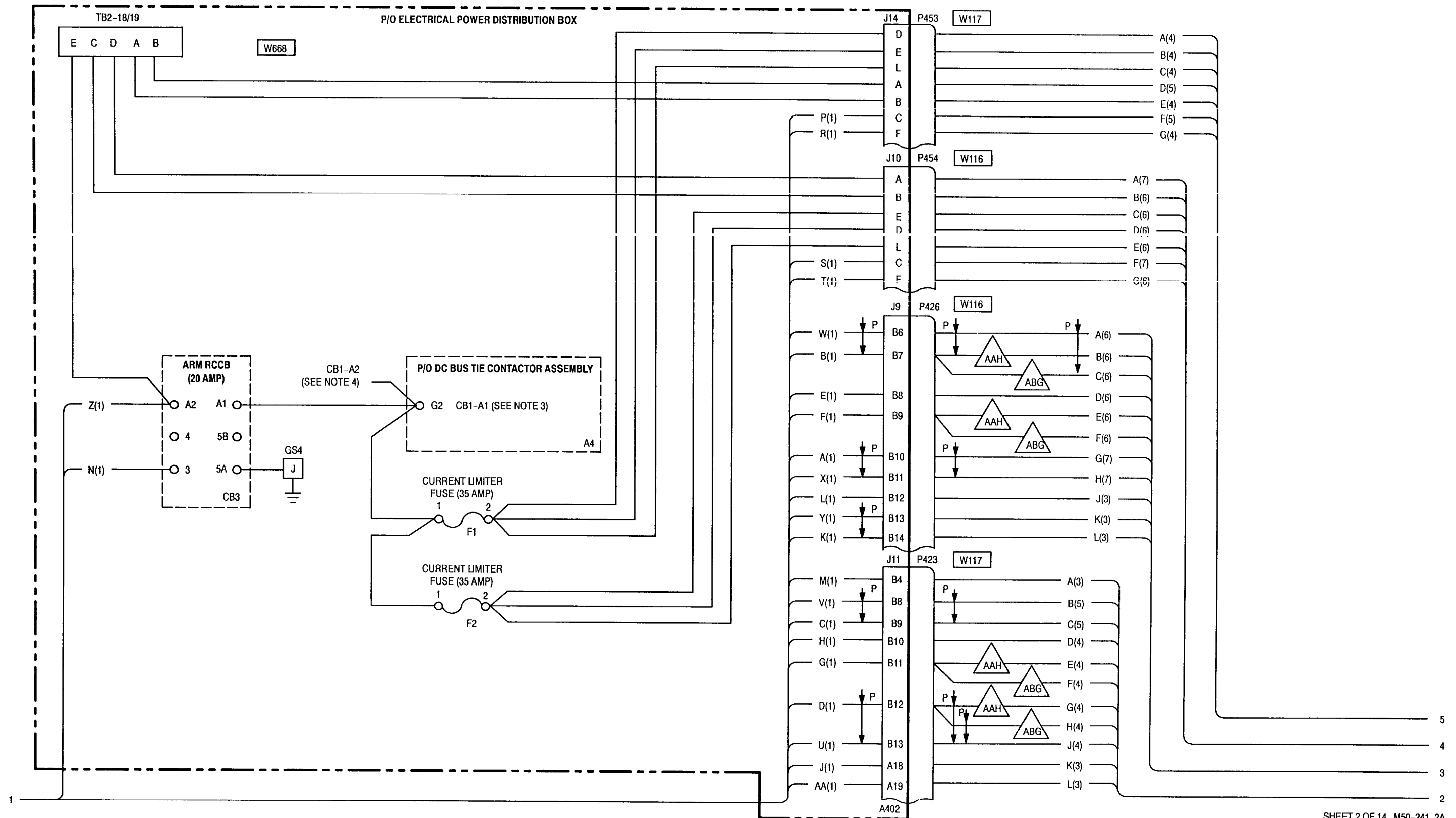
CHAPTER OVERVIEW

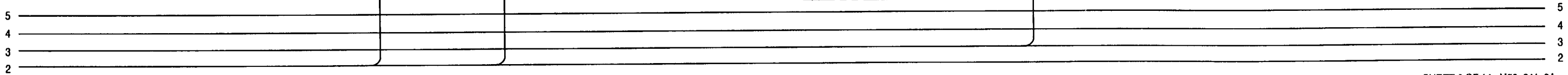
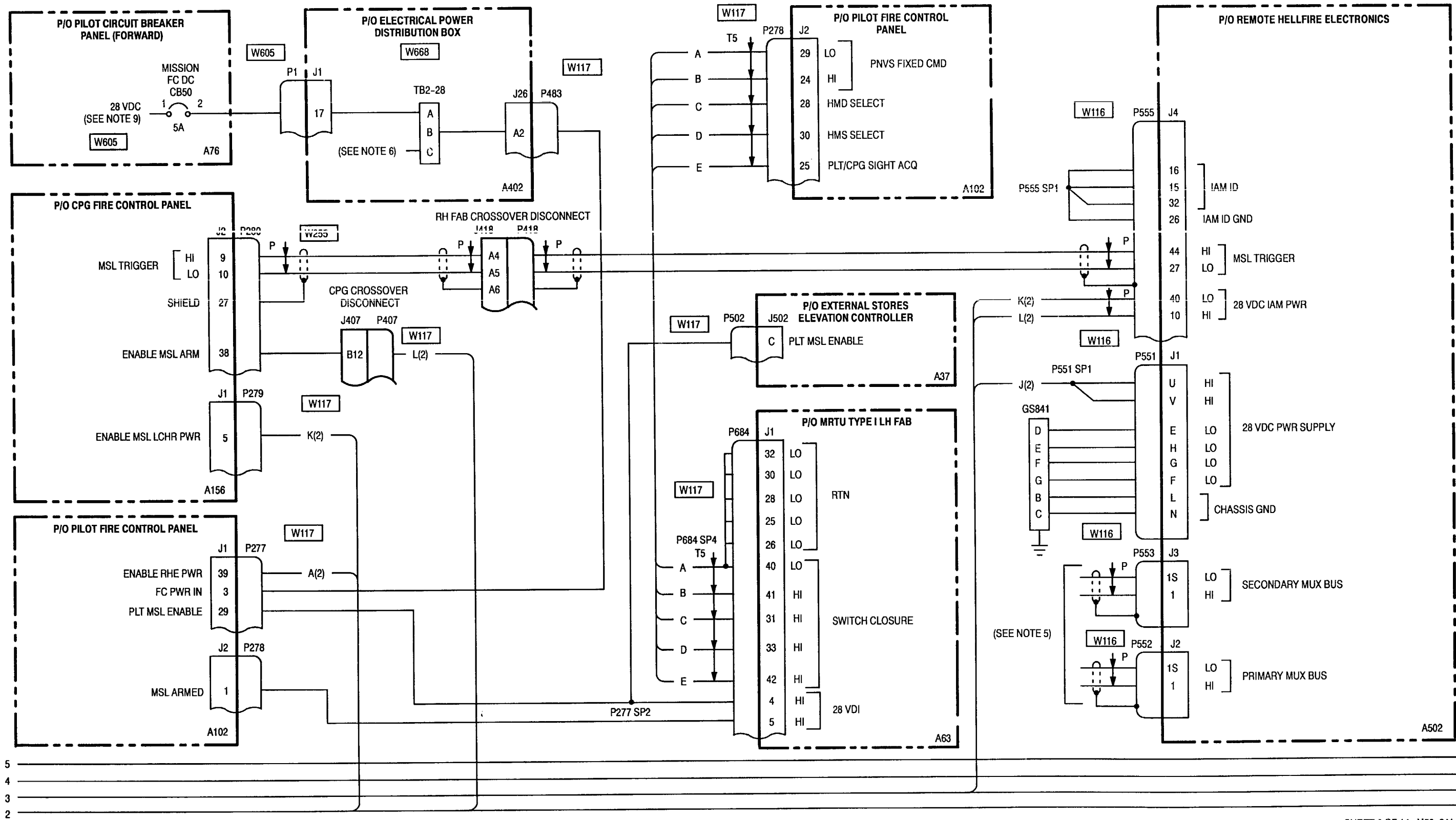
Chapter 14 contains the wiring diagram required for troubleshooting the HELLFIRE missile system.

<u>Para Title</u>	<u>Para No.</u>
HELLFIRE Missile - Wiring Diagram	14-1

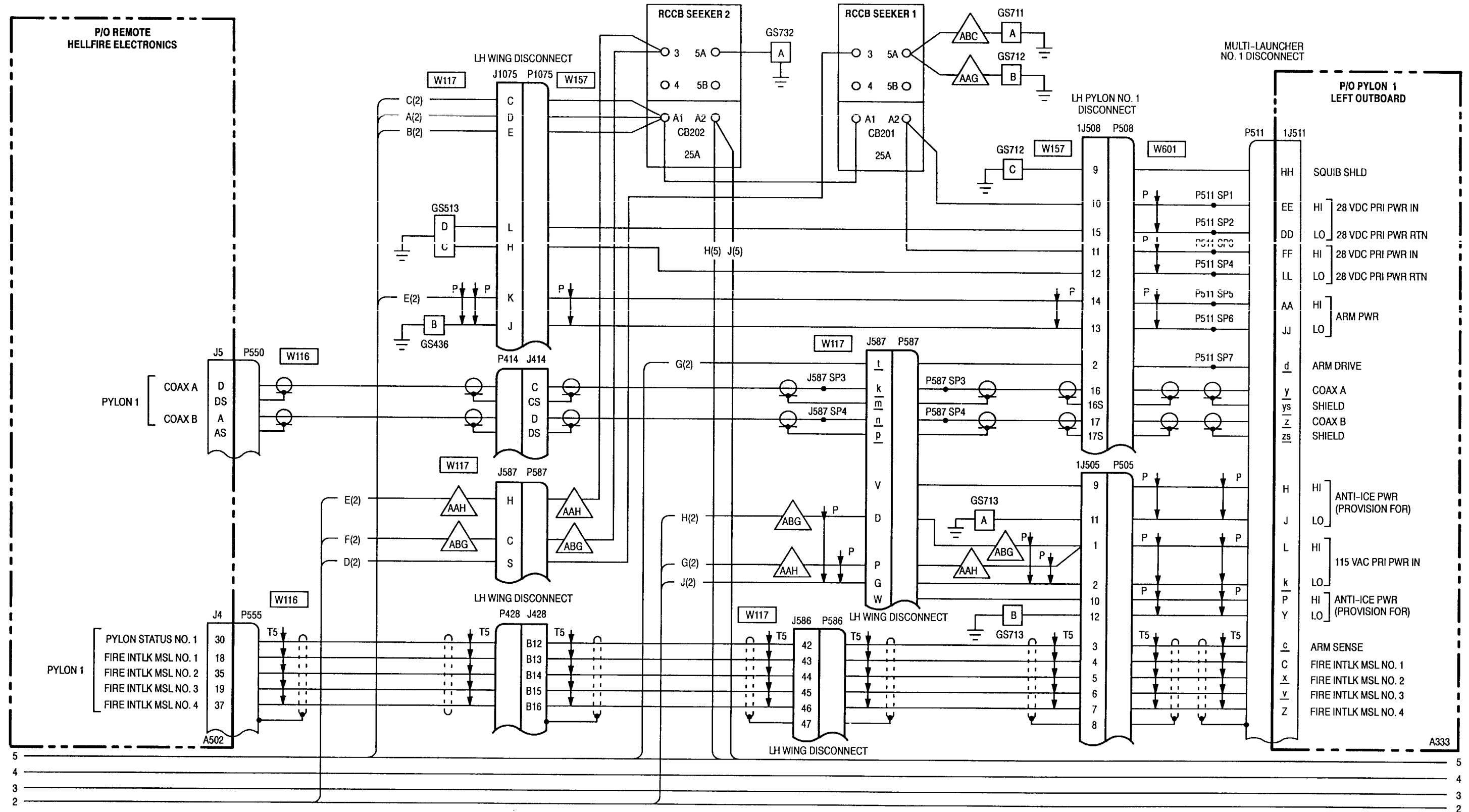


14-1. HELLFIRE MISSILE - WIRING DIAGRAM (cont)

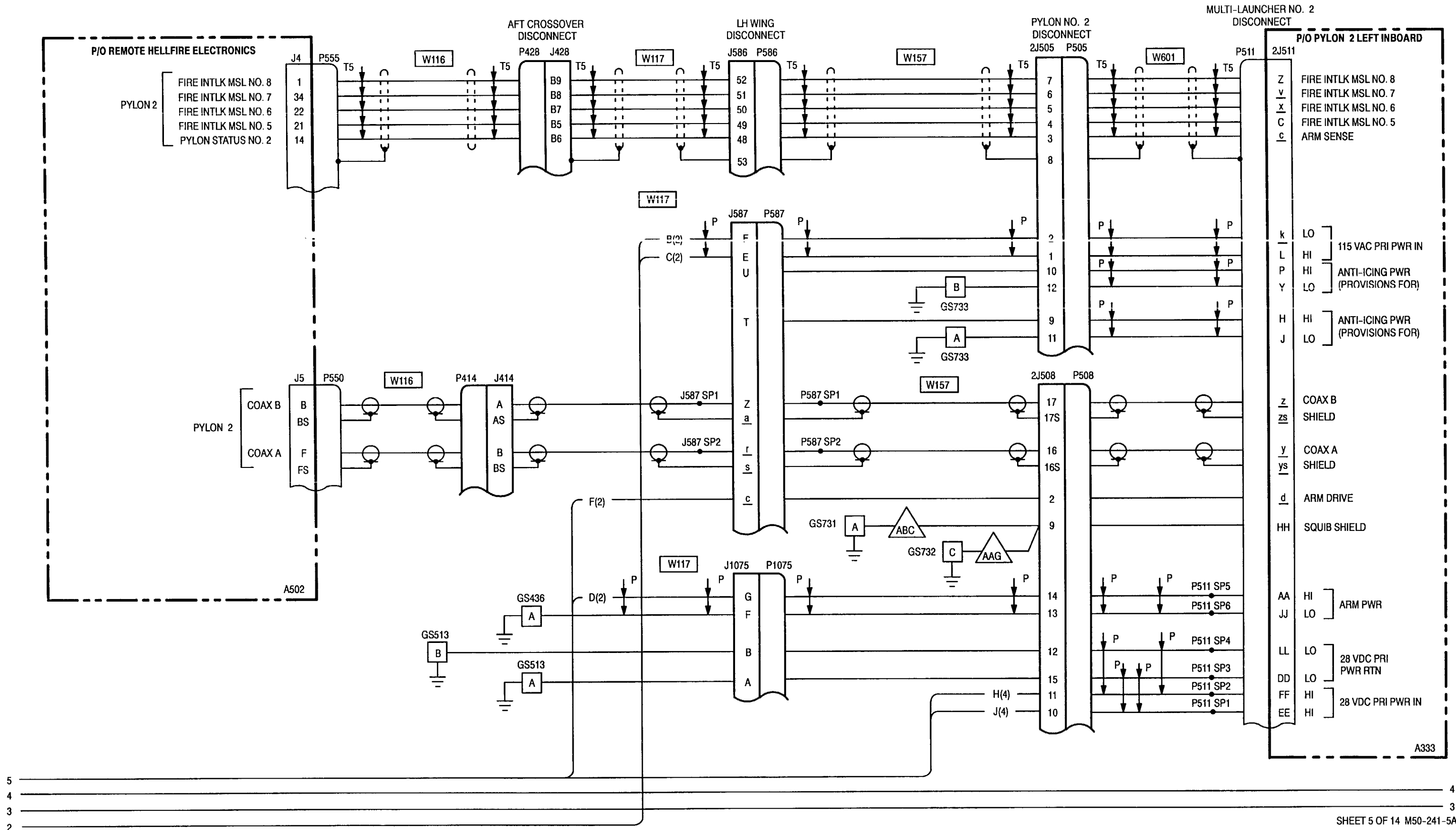




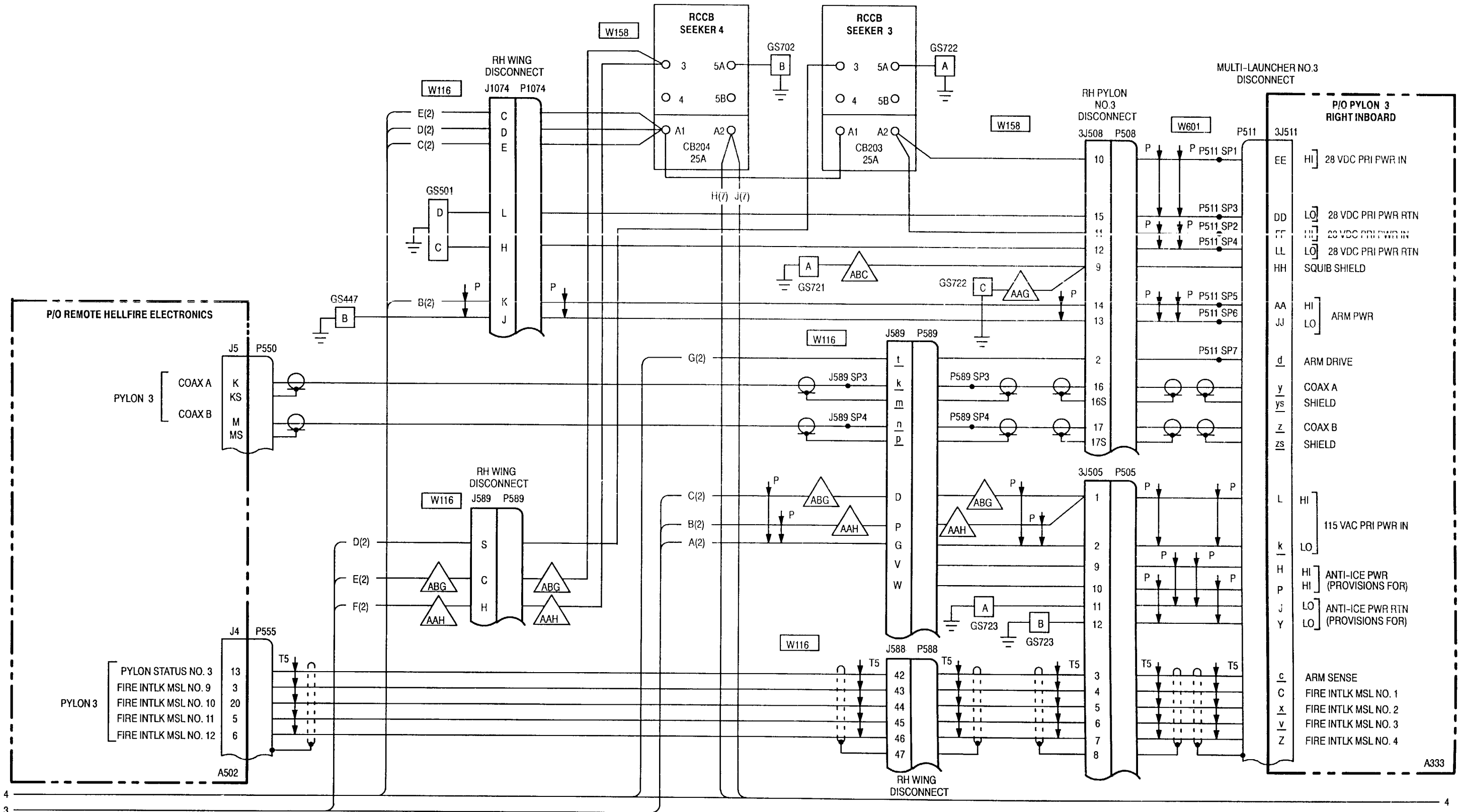
14-1. HELLFIRE MISSILE - WIRING DIAGRAM (cont)



14-1. HELLFIRE MISSILE - WIRING DIAGRAM (cont)

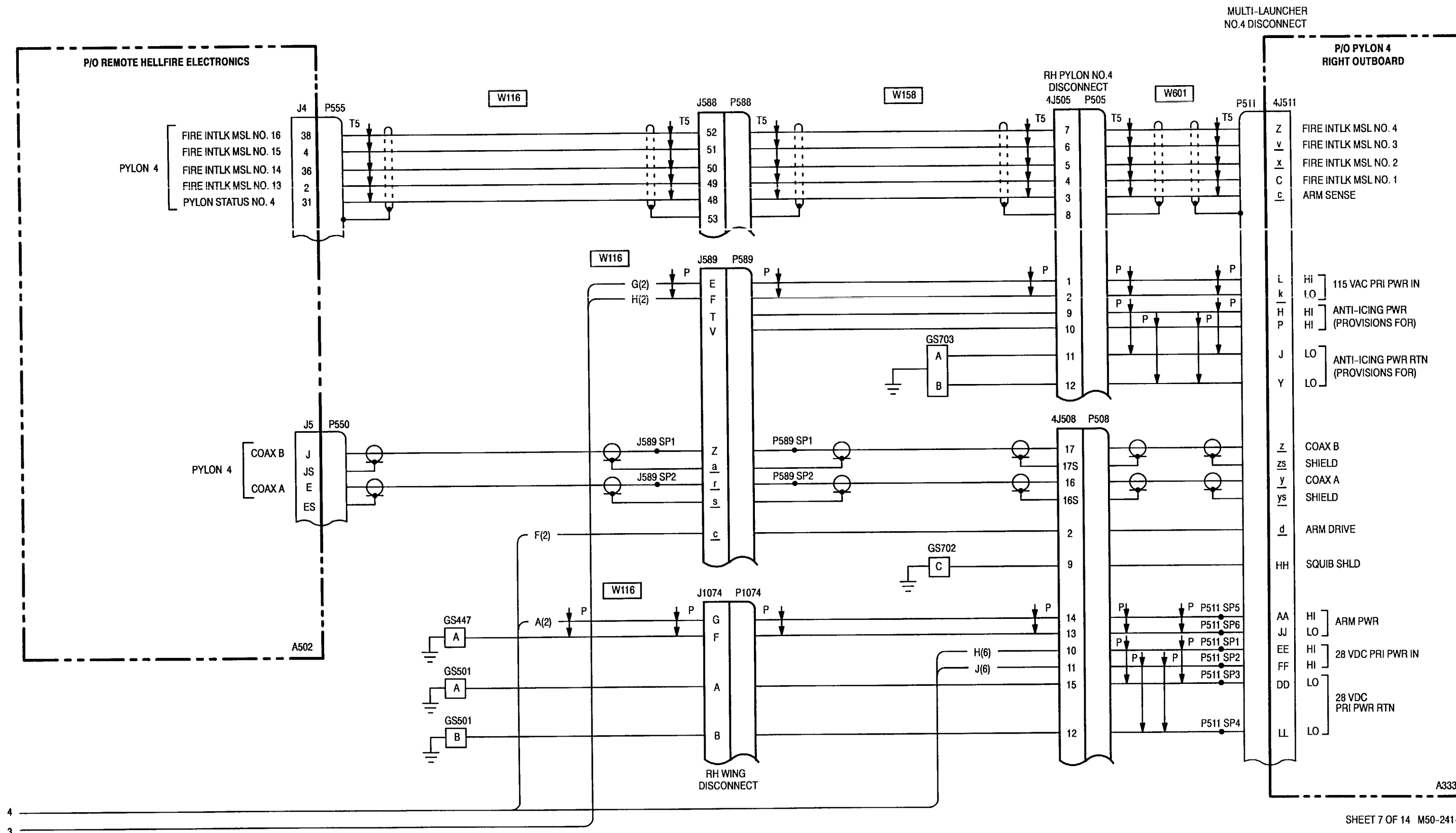


14-1. HELLFIRE MISSILE - WIRING DIAGRAM (cont)

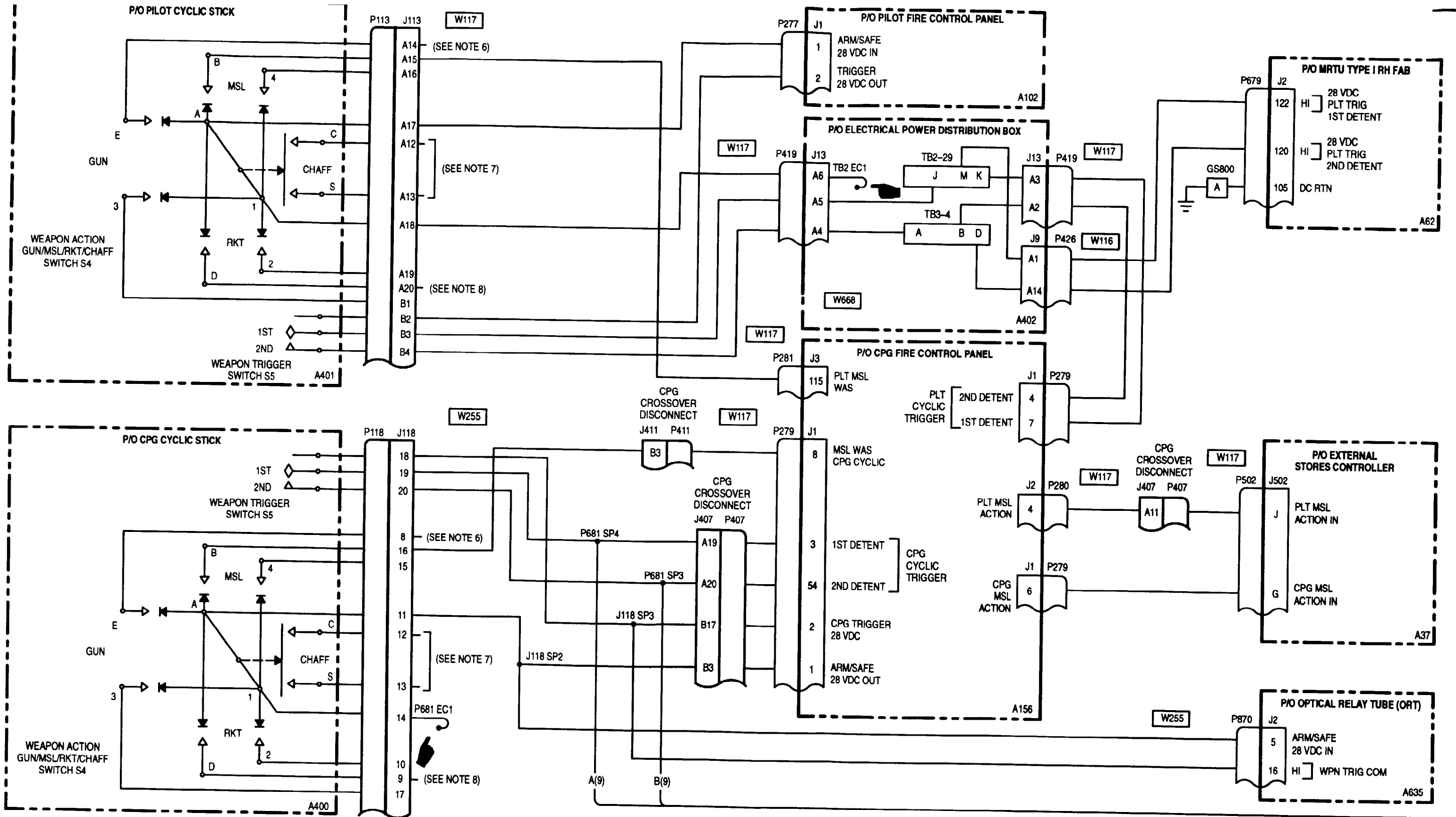


4
3

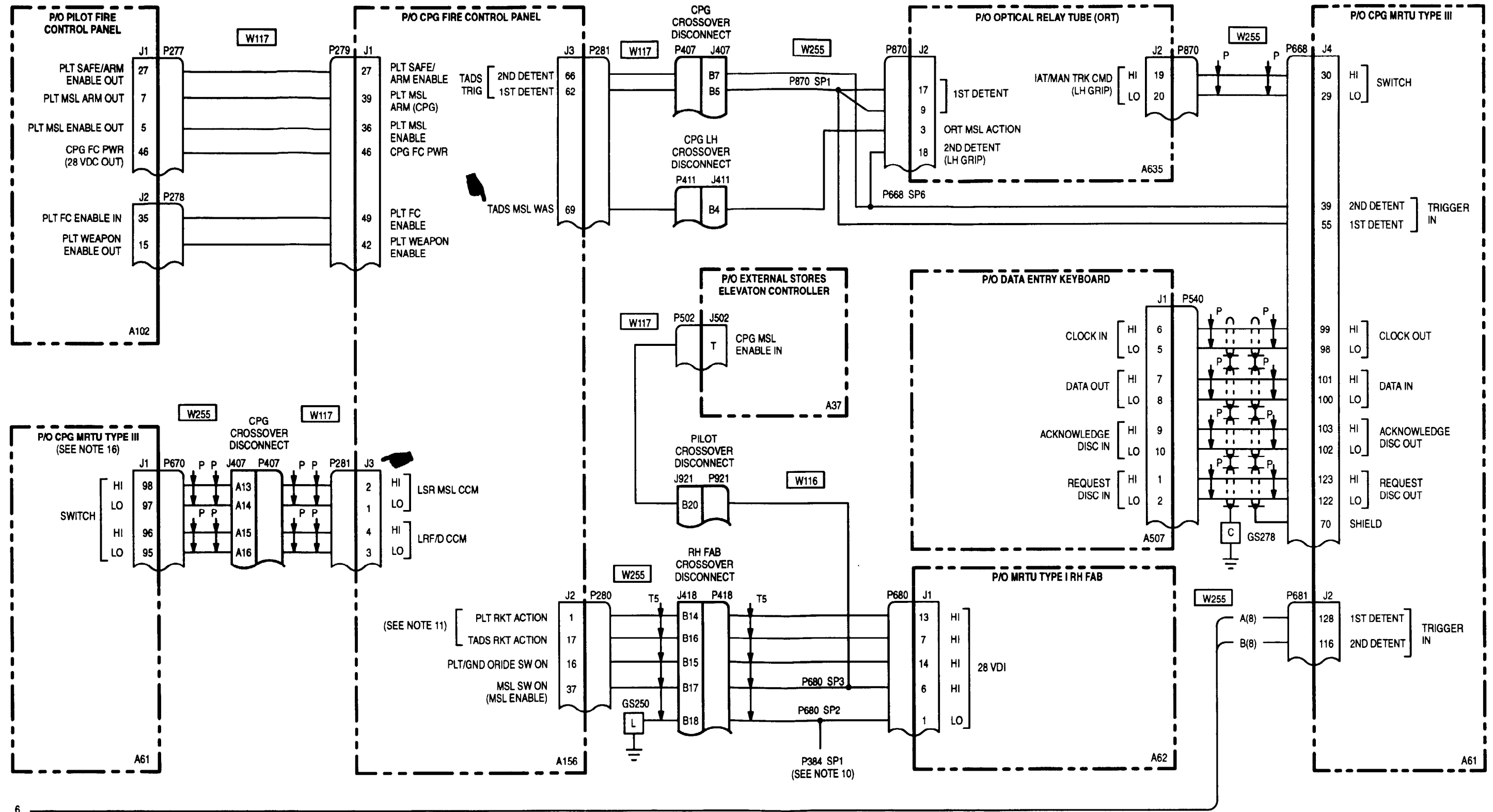
14-1. HELLFIRE MISSILE - WIRING DIAGRAM (cont)



14-1. HELLFIRE MISSILE - WIRING DIAGRAM (cont)

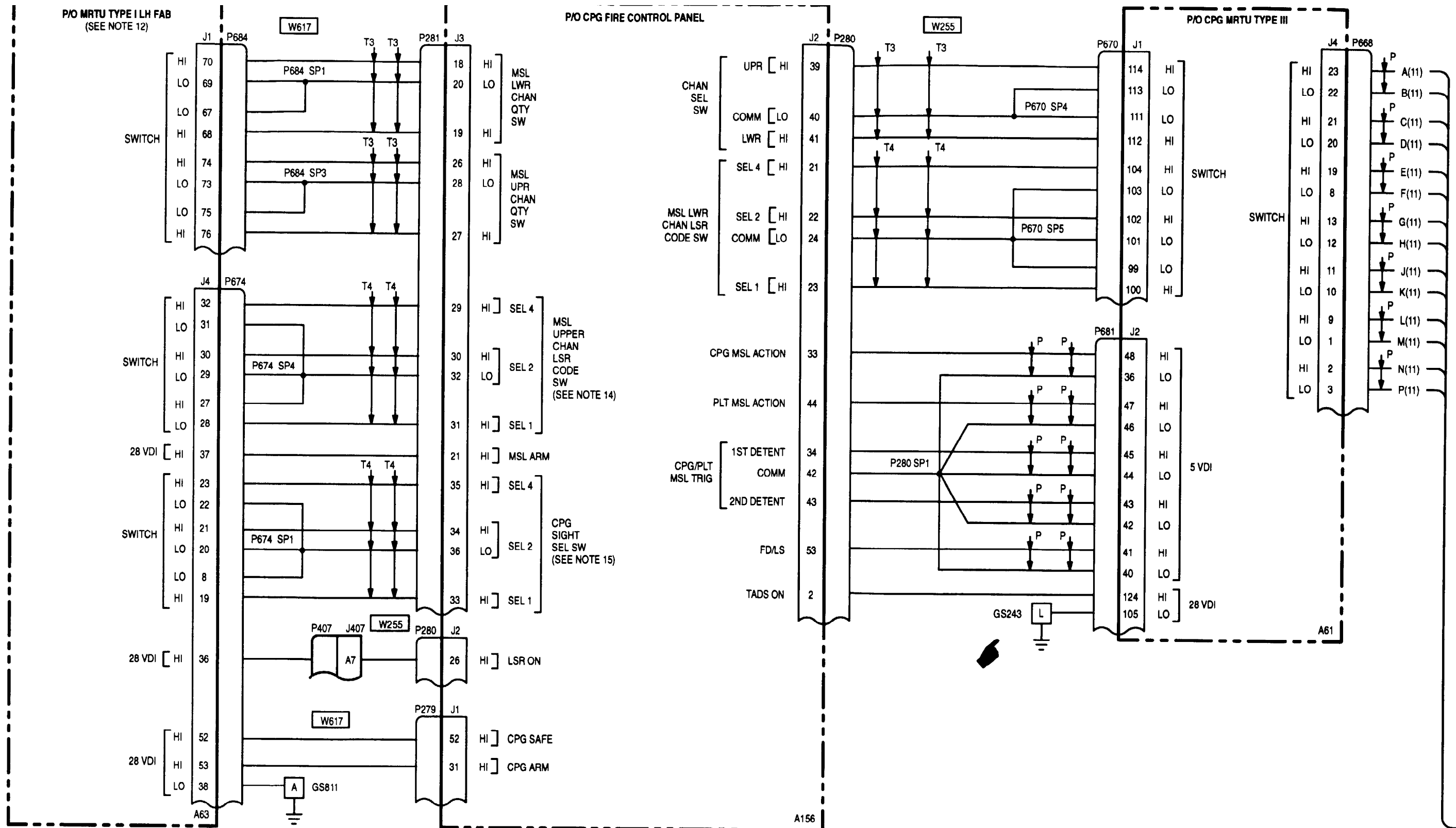


14-1. HELLFIRE MISSILE -WIRING DIAGRAM (cont)

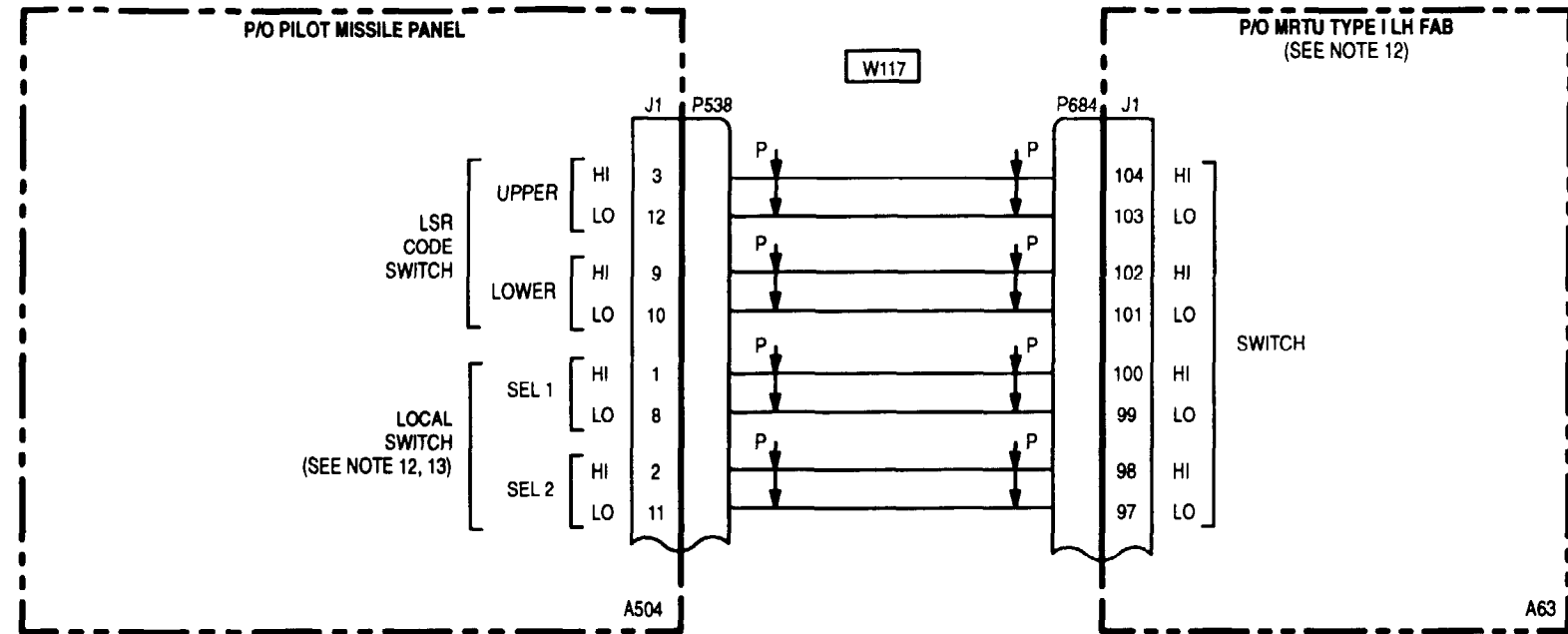
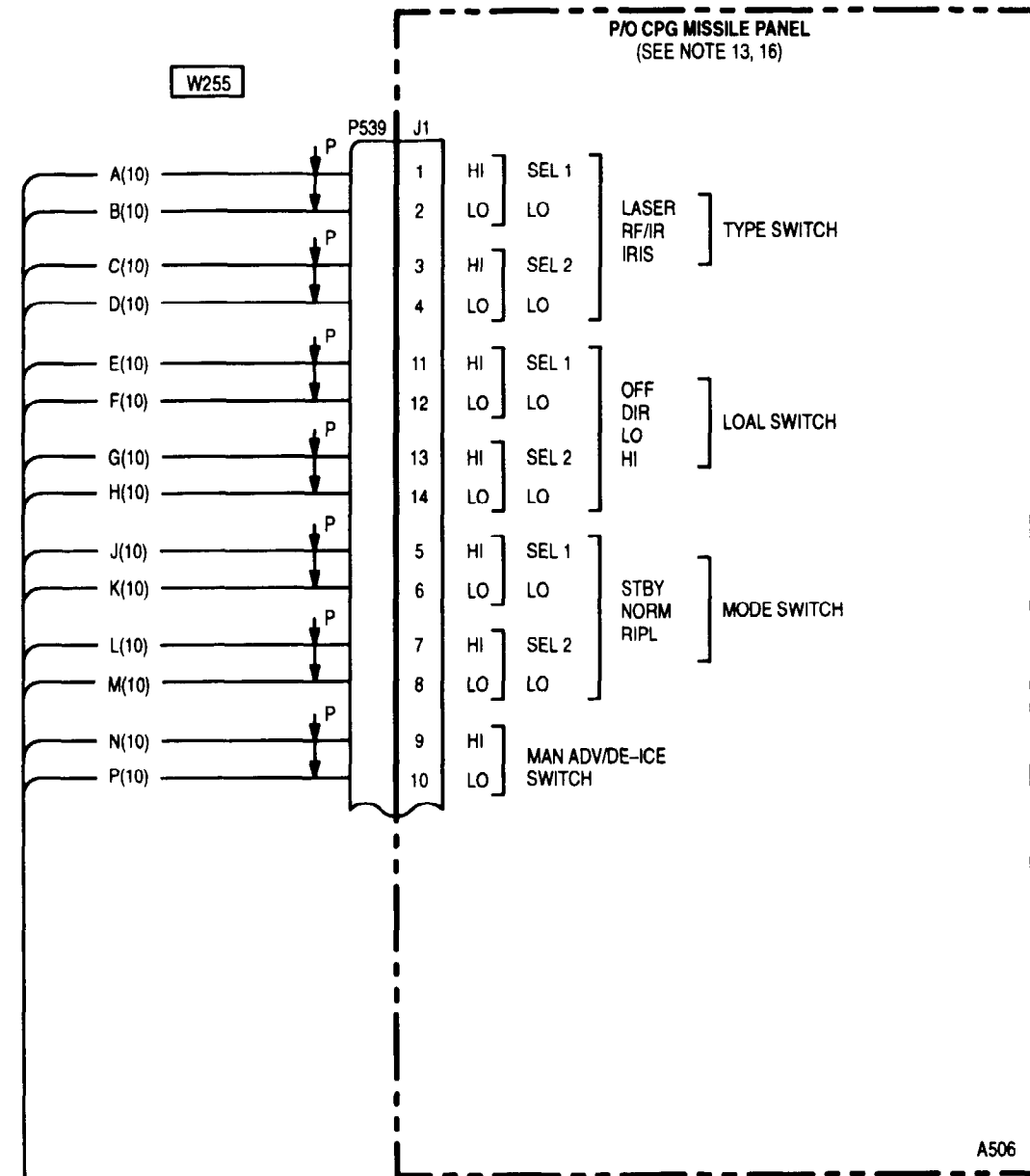


6

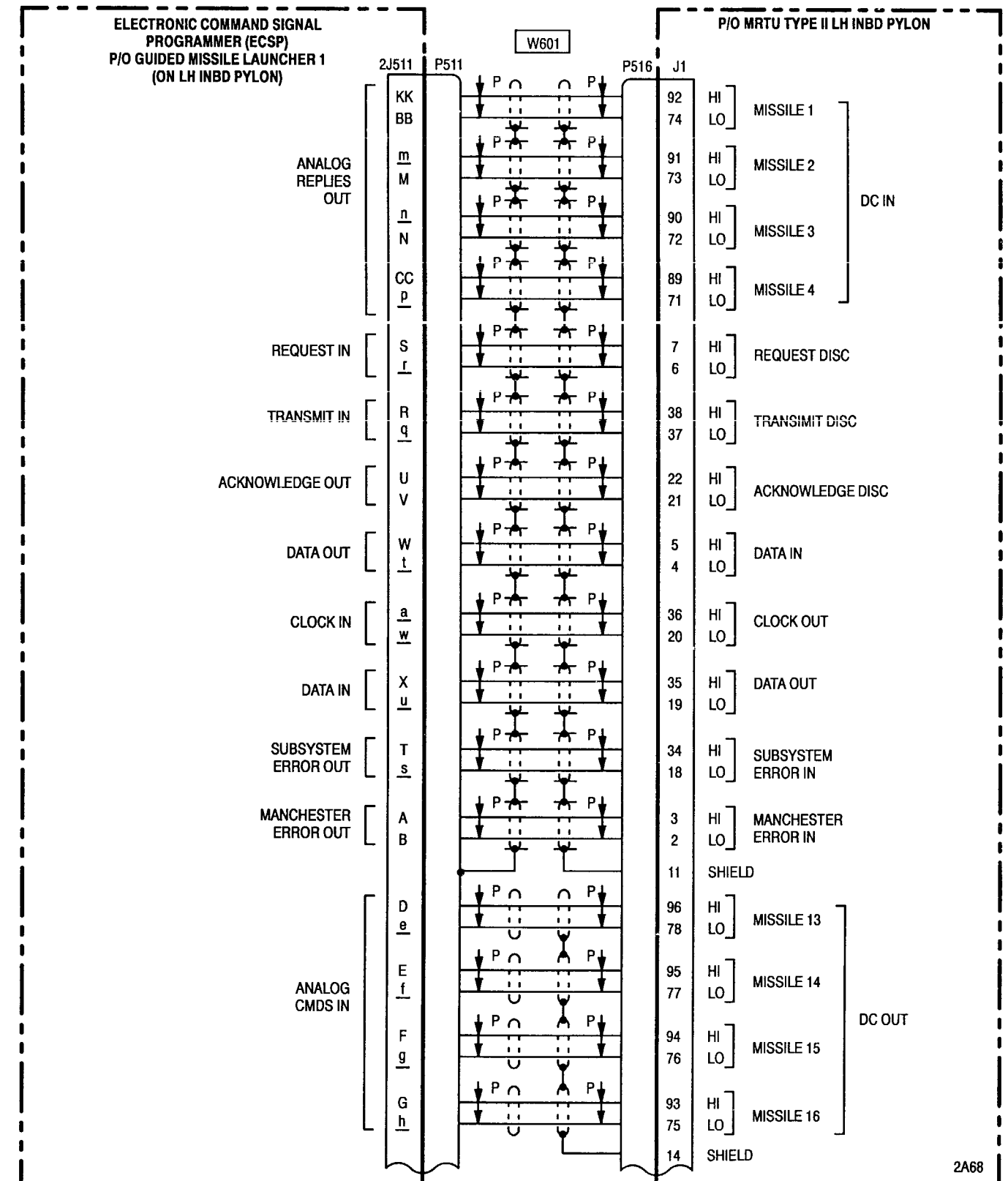
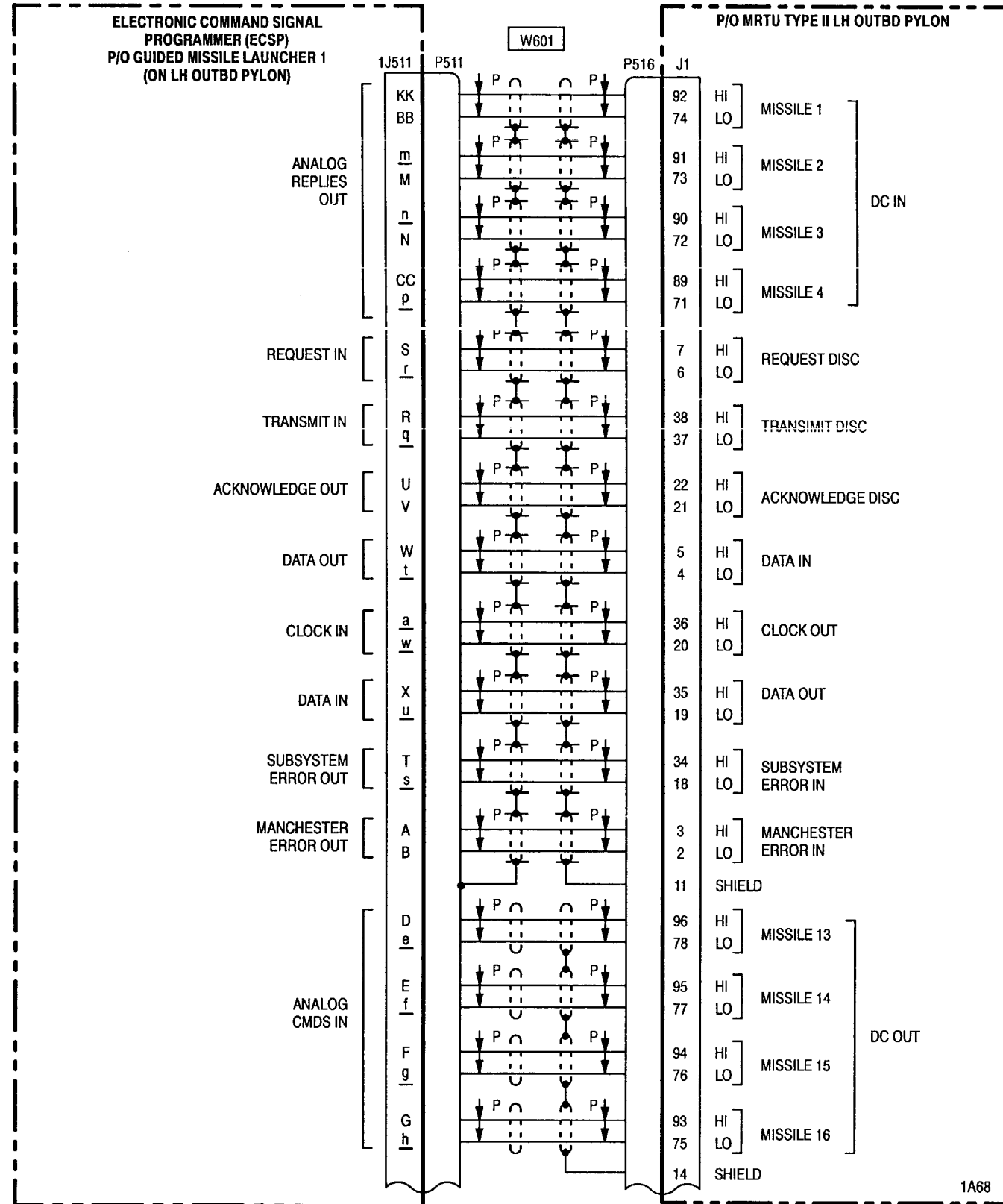
14-1. HELLFIRE MISSILE -WIRING DIAGRAM (cont)



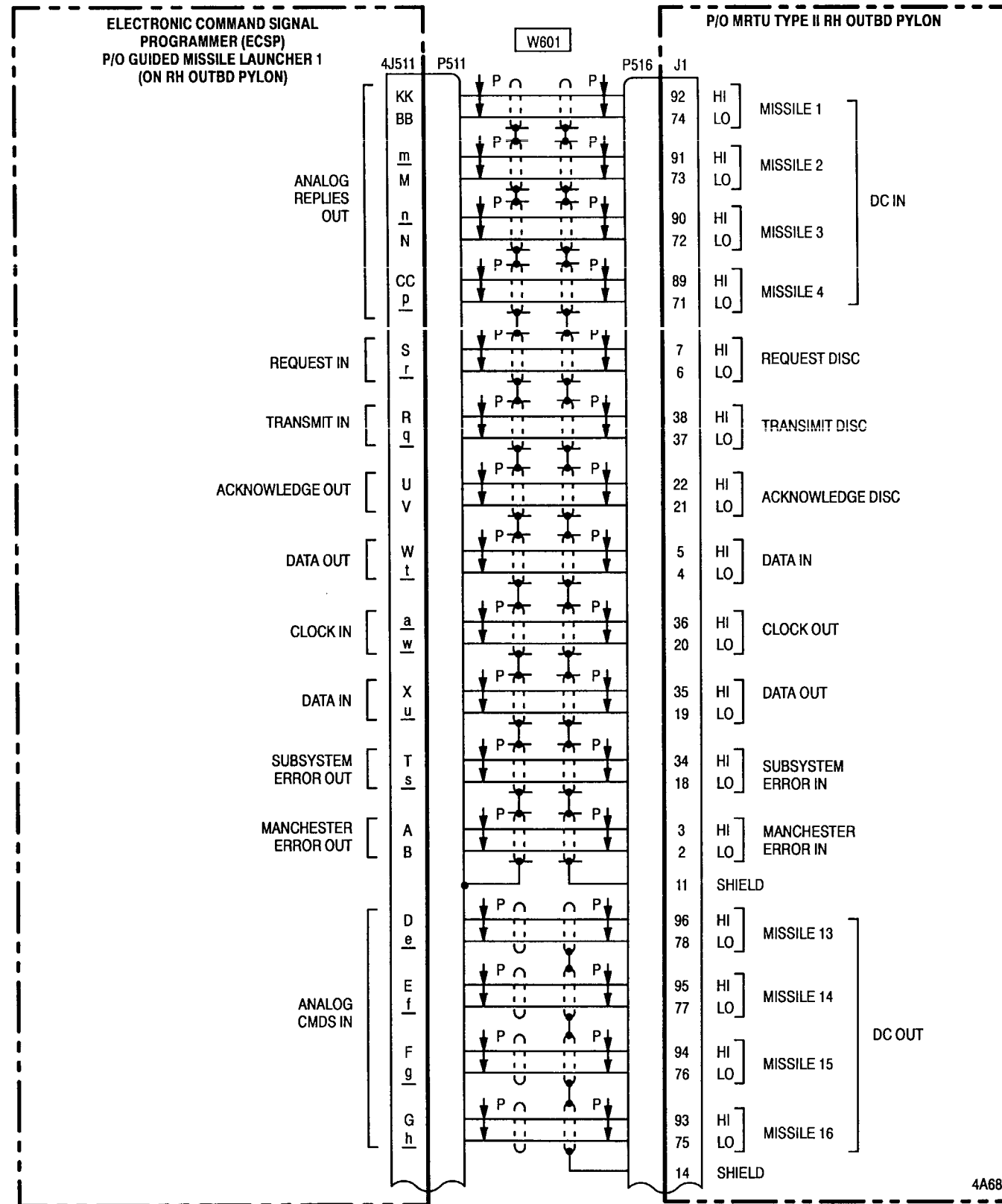
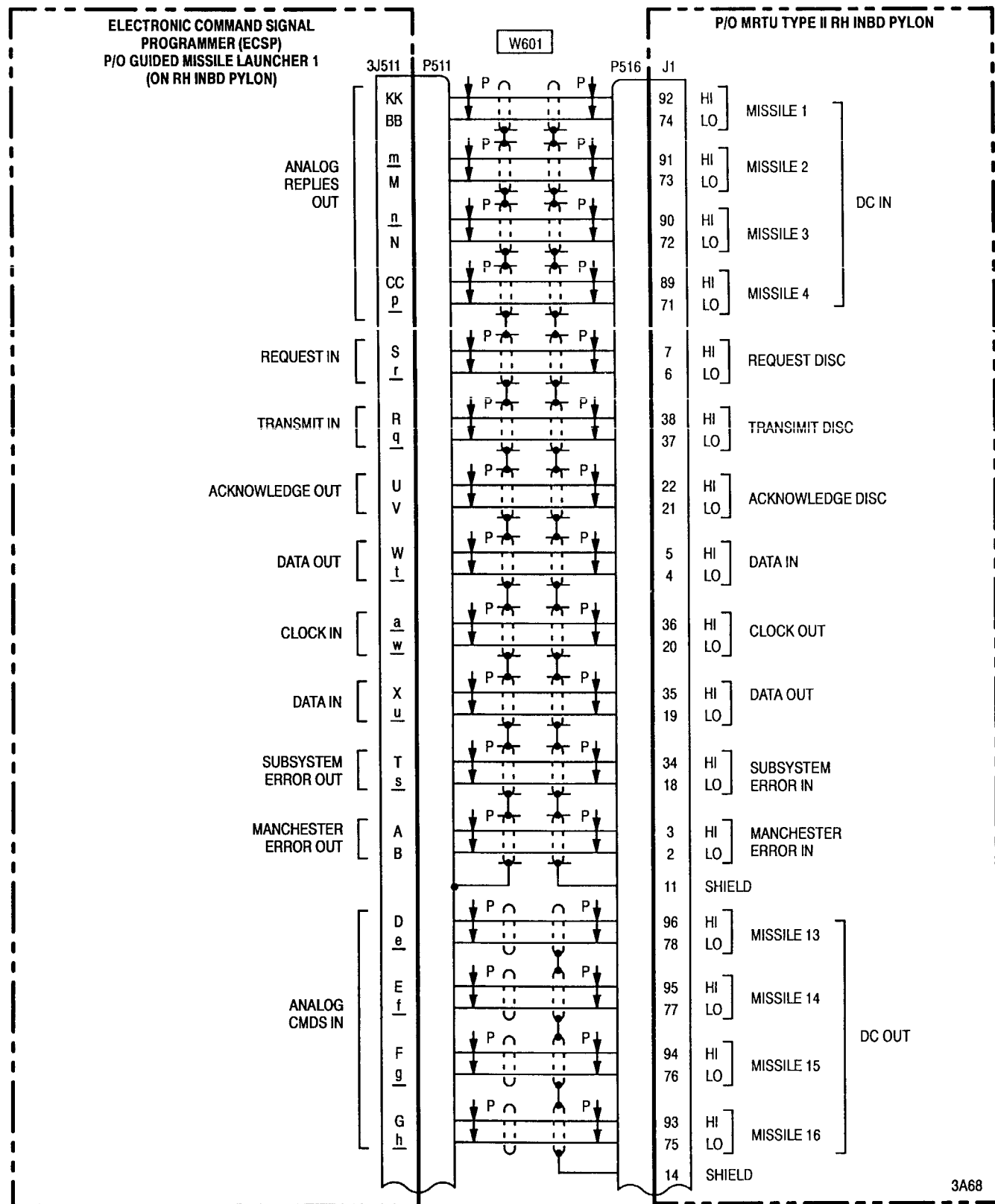
14-1. HELLFIRE MISSILE - WIRING DIAGRAM (cont)



14-1. HELLFIRE MISSILE - WIRING DIAGRAM (cont)



14-1. HELLFIRE MISSILE - WIRING DIAGRAM (cont)



NOTES:

1. REFER TO PARAGRAPH 9-6. CIRCUIT PROTECTION (AC ESSENTIAL BUS 1- CPG STATION) - WIRING DIAGRAM.
2. REFER TO PARAGRAPH 9-13. CIRCUIT PROTECTION (DC ESSENTIAL BUS 3-CPG STATION) - WIRING DIAGRAM.
3. REFER TO PARAGRAPH 9-2. DC ELECTRICAL POWER GENERATION - WIRING DIAGRAM.
4. REFER TO PARAGRAPH 21-2. RADAR JAMMER AN/ALQ-136 - WIRING DIAGRAM.
5. REFER TO PARAGRAPH 19-1. MULTIPLEX - WIRING DIAGRAM.
6. REFER TO PARAGRAPH 4-1. AREA WEAPON SYSTEM (AWS) - WIRING DIAGRAM.
7. REFER TO PARAGRAPH 7-1. CHAFF DISPENSER-WIRING DIAGRAM.
8. REFER TO PARAGRAPH 11-1. EXTERNAL STORES CONTROL-WIRING DIAGRAM.
9. REFER TO PARAGRAPH 9-12. CIRCUIT PROJECTION (DC ESSENTIAL BUS 3-PILOT STATION)-WIRING DIAGRAM.
10. REFER TO PARAGRAPH 20-5. RADAR ALTIMETER (RADALT) SET - WIRING DIAGRAM.
11. REFER TO PARAGRAPH 3-1. AERIAL ROCKET CONTROL SYSTEM (ARCS) - WIRING DIAGRAM.
12. LO SIGNALS REPRESENT COMMON OUTPUTS TO SWITCHES IN INTERFACING UNITS. HI SIGNALS REPRESENT INPUTS FROM THESE SWITCHES. THE ACTIVE HI SIGNAL IS THE SWITCHED COMMON WHILE THE INACTIVE HI IS IN AN OPEN CIRCUIT
13. LOCAL AND MODE SWITCH OUTPUTS ARE AS FOLLOWS:

<u>POSITIONS:</u>		<u>OUTPUTS (HI)</u>
<u>LOAL</u>	<u>MODE</u>	
OFF	STBY	
DIR	NORM	SEL 1
LO	RIPL	SEL 1 + SEL 2
HI	MAN	SEL 2

14. OCTAL CODED OUTPUTS OF STEPPING SWITCH CORRESPOND TO DISPLAYED POSITIONS AS FOLLOWS:

<u>CODE</u>	<u>LETTER</u>
0	A
1	B
2	C
1,2	D
4	E
1,4	F
2,4	G
1,2,4	H

15. CPG SIGHT SELECT SWITCH OUTPUTS:

<u>POSITIONS:</u>	<u>OUTPUTS (HI)</u>
STBY	
HMD	SEL 1
NVS	SEL 1,2
TADS	SEL 2,4
HMS TADS	SEL 1,2,4

16. MSL TYPE SWITCH OUTPUTS:

<u>POSITIONS:</u>
LAZER
* IRIS
* RF/IR
 *(NOT CURRENTLY USED)

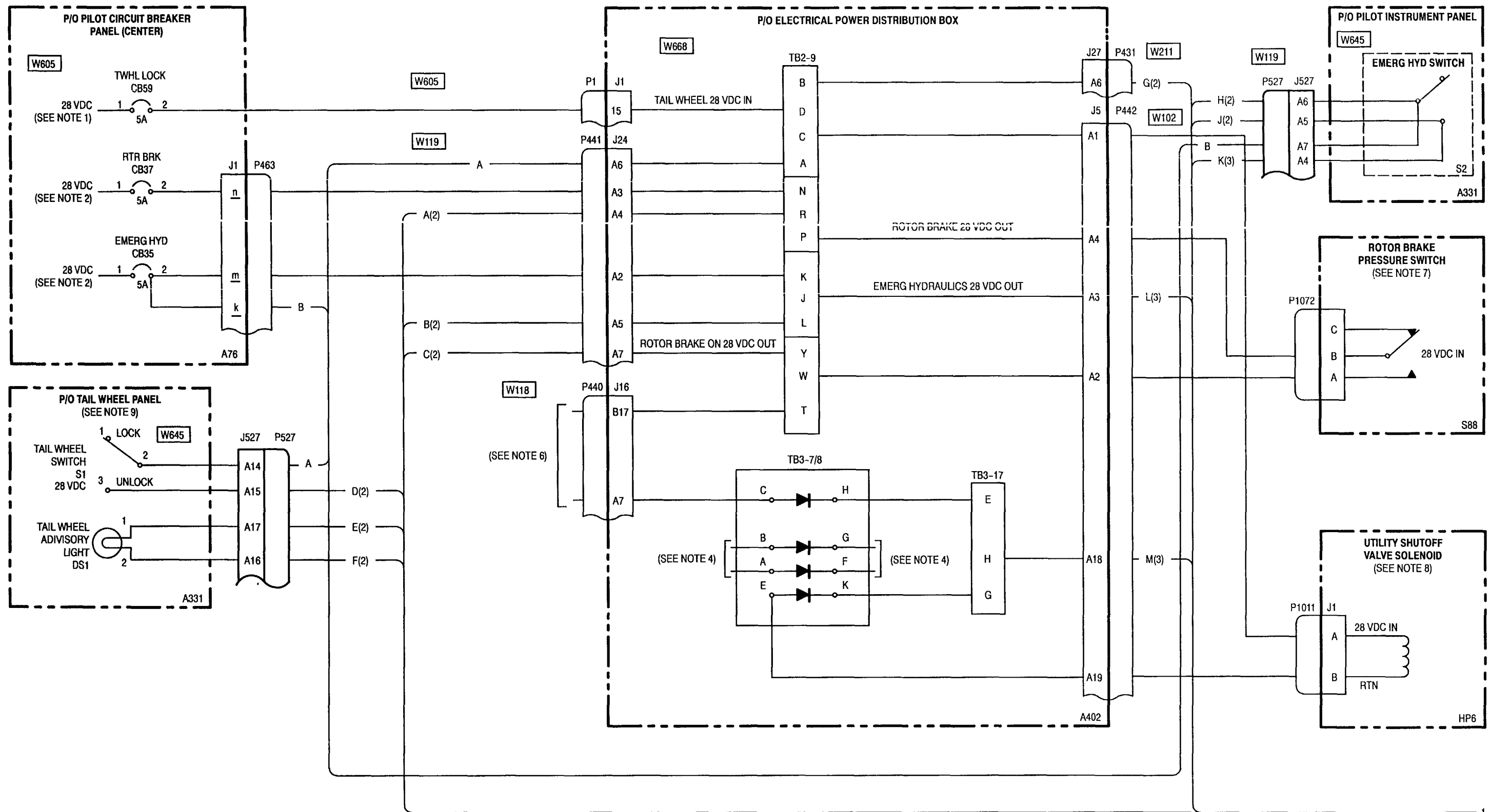
CHAPTER 15. HYDRAULIC AND PNEUMATIC SYSTEM WIRING DIAGRAM

CHAPTER OVERVIEW

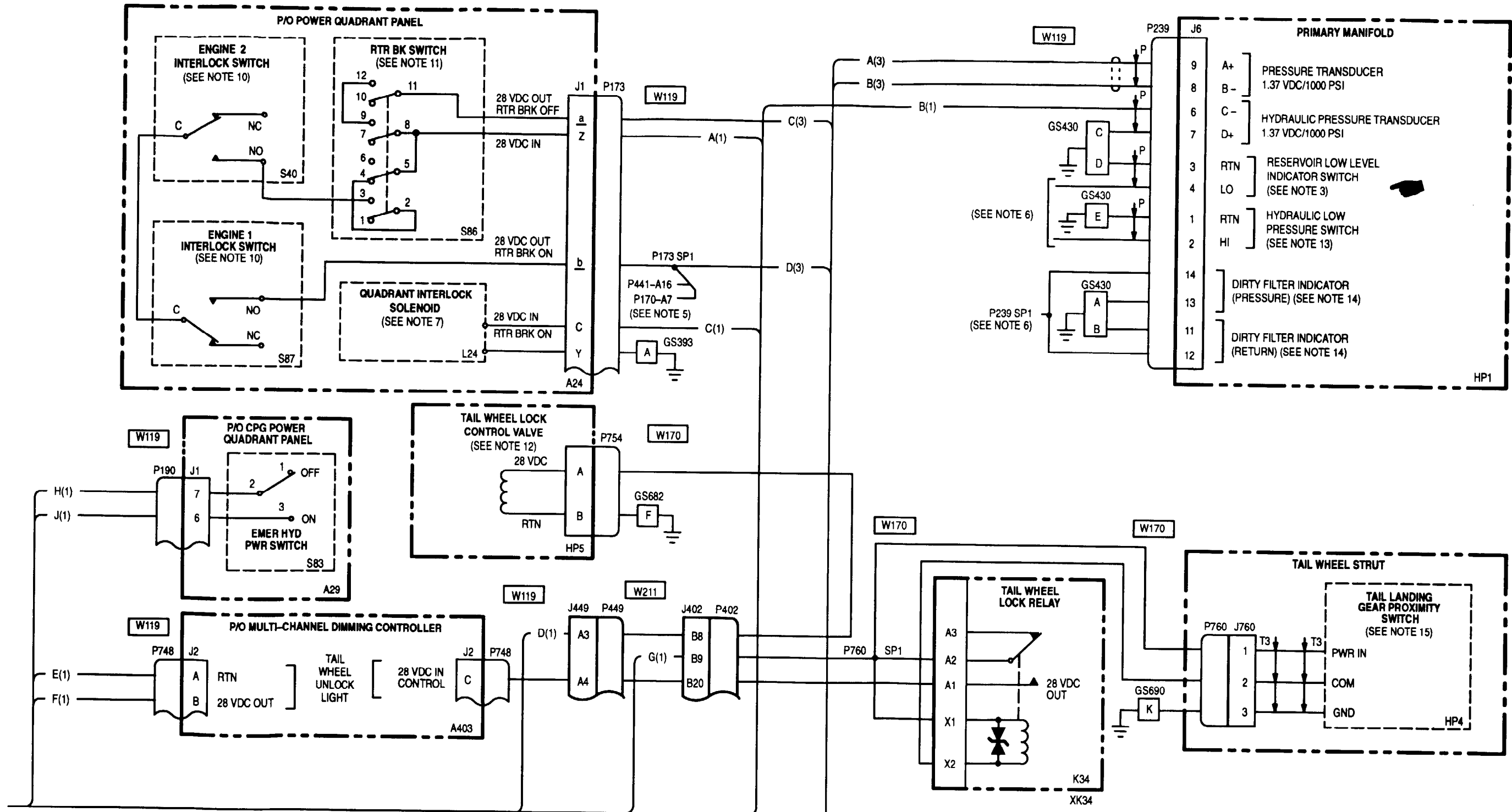
Chapter 15 contains wiring diagrams required for troubleshooting the hydraulic and pneumatic system.

Chapter 15 is divided into the following paragraphs:

<u>Para Title</u>	<u>Para No.</u>
Hydraulic - Wiring Diagram	15-1
Pressurized Air System (PAS) - Wiring Diagram	15-2



1-15. HYDRAULIC - WIRING DIAGRAM (cont)



1
2

15-1. HYDRAULIC - WIRING DIAGRAM (cont)

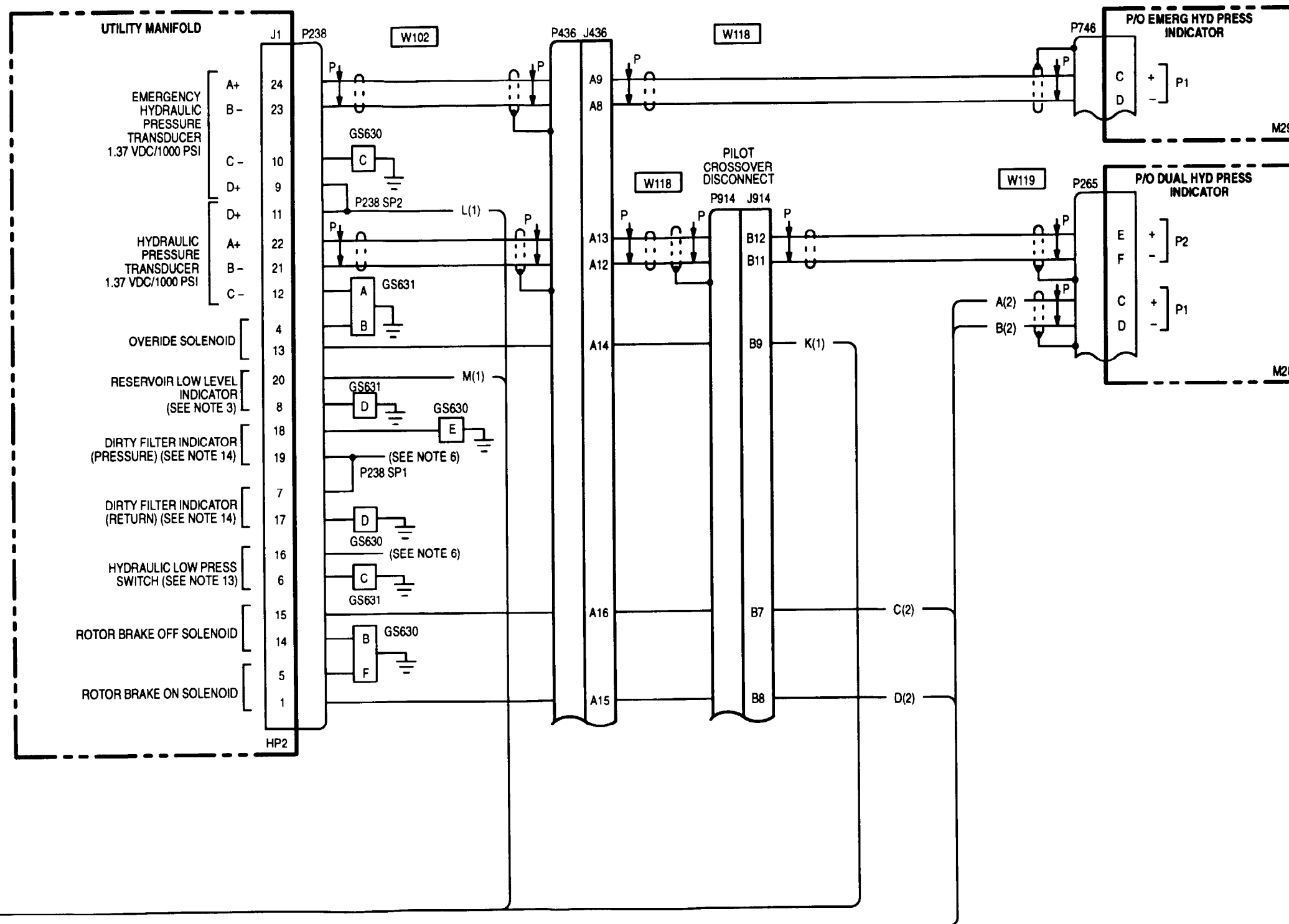
NOTES:

1. REFER TO PARAGRAPH 9-11. CIRCUIT PROTECTION (DC ESSENTIAL BUS 2-PILOT STATION) - WIRING DIAGRAM.
2. REFER TO PARAGRAPH 9-14. CIRCUIT PROTECTION (DC EMERGENCY BUS-PILOT STATION) - WIRING DIAGRAM.
3. CLOSED WHEN RESERVOIR FLUID LEVEL IS 10 CUBIC INCHES OR LESS (APPROX 0.06 GAL).
4. REFER TO PARAGRAPH 12-2. FORCE TRIM - WIRING DIAGRAM.
5. REFER TO PARAGRAPH 12-1. DASE - WIRING DIAGRAM (BUCS ACTIVATED) (SERIAL NO. 82-23355 THRU 88-0199) OR PARAGRAPH 12-2. DASE - WIRING DIAGRAM (BUCS ACTIVATED) (SERIAL NO. 88-0200 AND SUBSEQUENT).
6. REFER TO PARAGRAPH 9-18. CAUTION AND WARNING - WIRING DIAGRAM.
7. ACTIVATED WITH ROTOR BRAKE ON.
8. NORMALLY OPEN, CLOSED WHEN ENERGIZED.
9. ADVISORY LIGHT ON WITH TAIL WHEEL SWITCH SET TO UNLOCK.
10. SHOWN WITH THROTTLE IN ADVANCED POSITION.

CONTACT	RTR BK SW INDICATOR POSITION		
	BRAKE	OFF	LOCK
1-2			X
2-3	X	X	
4-5	X		X
5-6		X	
7-8	X		X
8-9		X	
10-11			X
11-12	X	X	

X-INDICATES CONTACTS CLOSED

12. WHEN SOLENOID ENERGIZES AND HYDRAULIC PRESSURE IS PRESENT, VALVE UNLOCKS TAIL WHEEL.
13. OPEN AT 2050 PSI AND ABOVE. CLOSED AT 1250 PSI AND BELOW.
14. CLOSED AT 70 + 10 PSI DIFFERENTIAL PRESSURE.
15. SOLID STATE SWITCH POSITION SHOWN WITH TAIL WHEEL LOCKED (TAIL WHEEL HANDLE UP). WHEN CLOSED, SWITCH PROVIDES GROUND FOR RELAY K34 (TAIL WHEEL HANDLE DOWN).

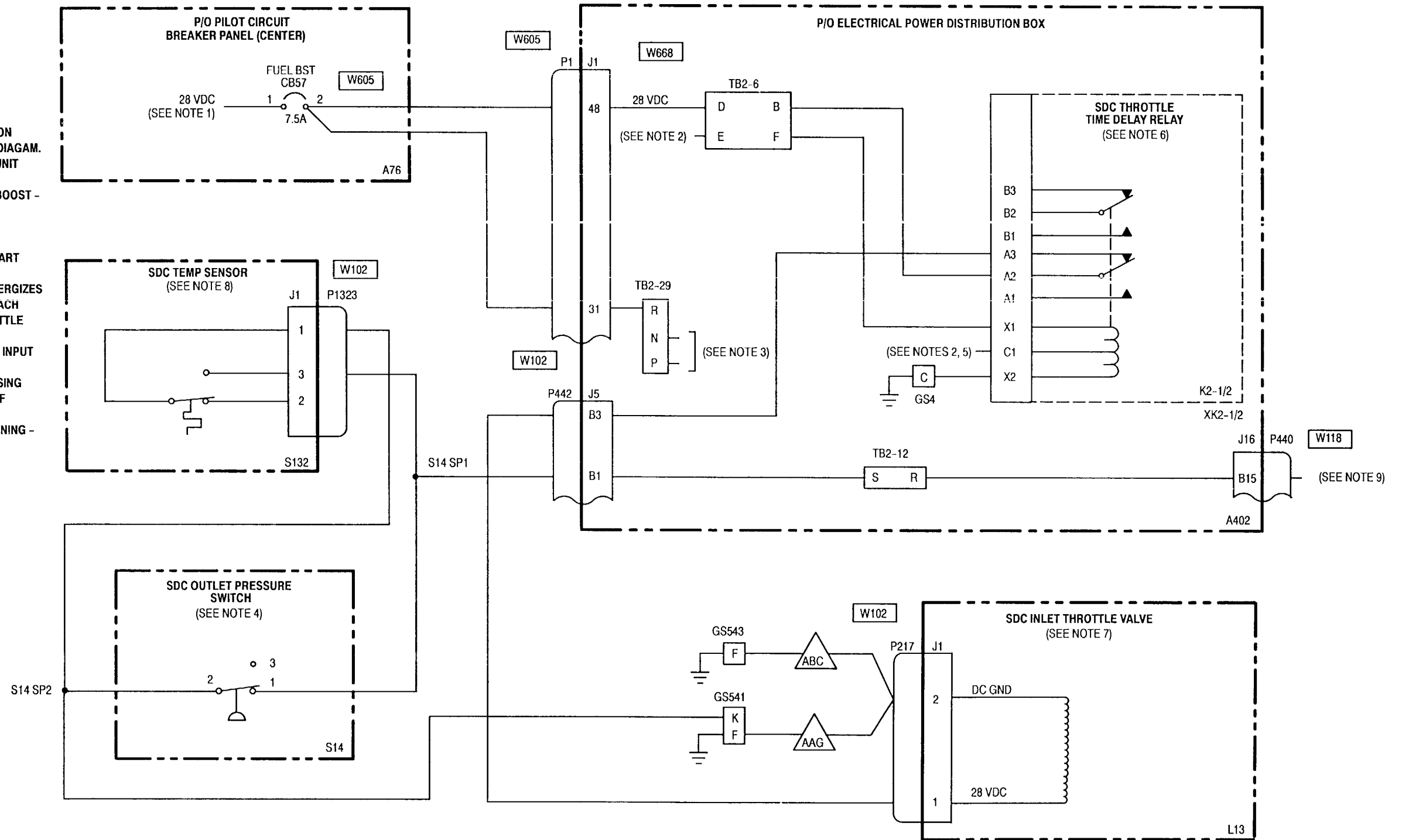


1
2

15-2. PRESSURIZED AIR SYSTEM (PAS) - WIRING DIAGRAM

NOTES:

1. REFER TO PARAGRAPH 9-11. CIRCUIT PROTECTION (DC ESSENTIAL BUS 2-PILOT STATION) - WIRING DIAGAM.
2. REFER TO PARAGRAPH 5-1. AUXILIARY POWER UNIT (APU) - WIRING DIAGRAM.
3. REFER TO PARAGRAPH 13-2. FUEL CROSSFEED/BOOST - WIRING DIAGRAM.
4. OPENS AT 15 PSI INCREASING PRESSURE. CLOSES AT 7 ± 2 PSI DECREASING PRESSURE.
5. CLOSES CIRCUIT WITH APU START SWITCH AT START POSITON.
6. RELAY ENERGIZES WITH C1 INPUT. RELAY DE-ENERGIZES 62 SECONDS AFTER INPUT. (ALLOWS APU TO REACH OPERATING SPEED BEFORE OPENING SDC THROTTLE VALVE).
7. 28 VDC INPUT WITH A MINIMUM OF 15 PSI PAS AIR INPUT AT PRESSURE PORT OPENS VALVE.
8. SWITCH CLOSES AT $340^{\circ}\text{F} - 360^{\circ}\text{F}$ WITH INCREASING TEMPERATURE. SWITCH OPENS AT $330^{\circ}\text{F} - 315^{\circ}\text{F}$ DECREASING TEMPERATURE.
9. REFER TO PARAGRAPH 9-18. CAUTION AND WARNING - WIRING DIAGRAM.

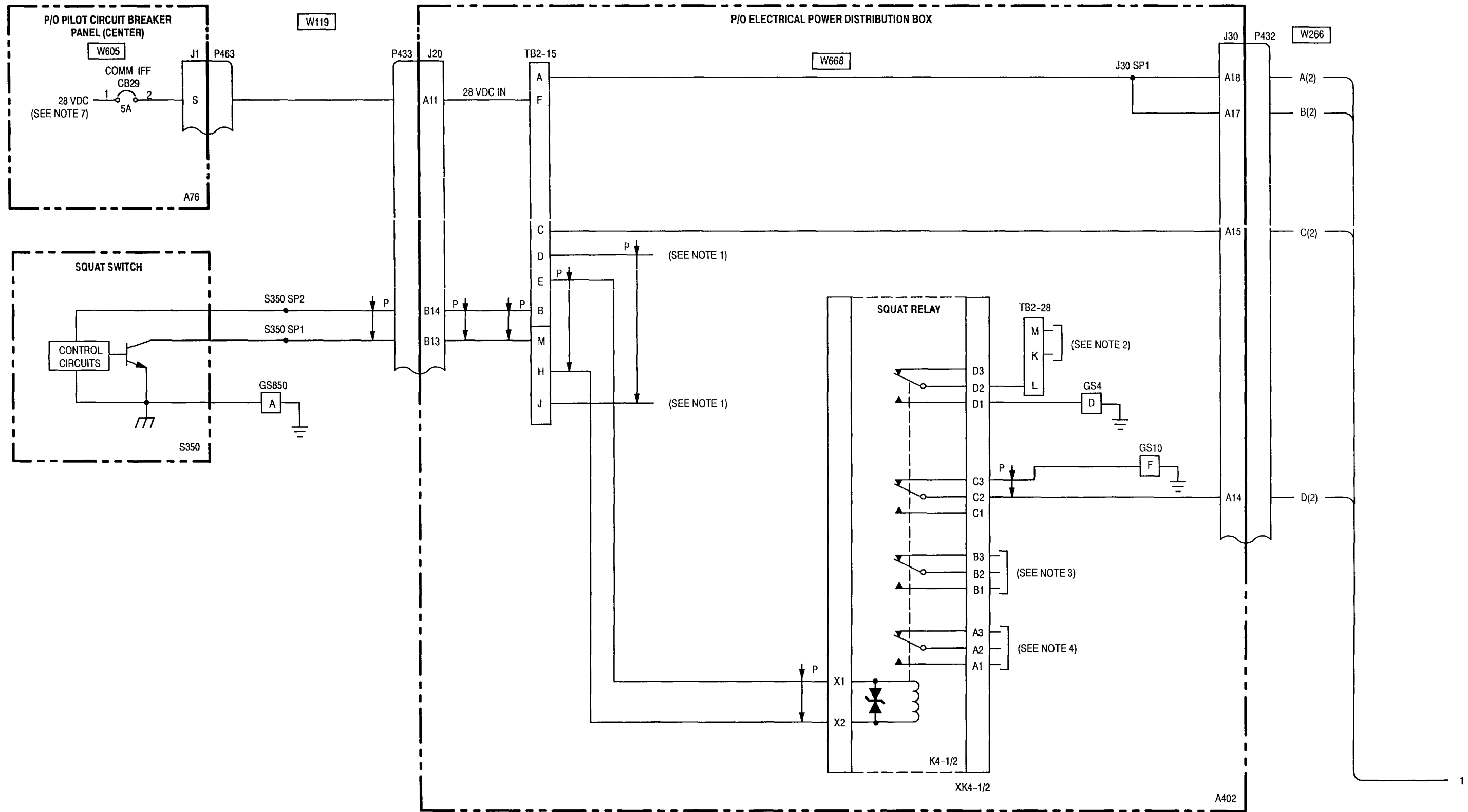


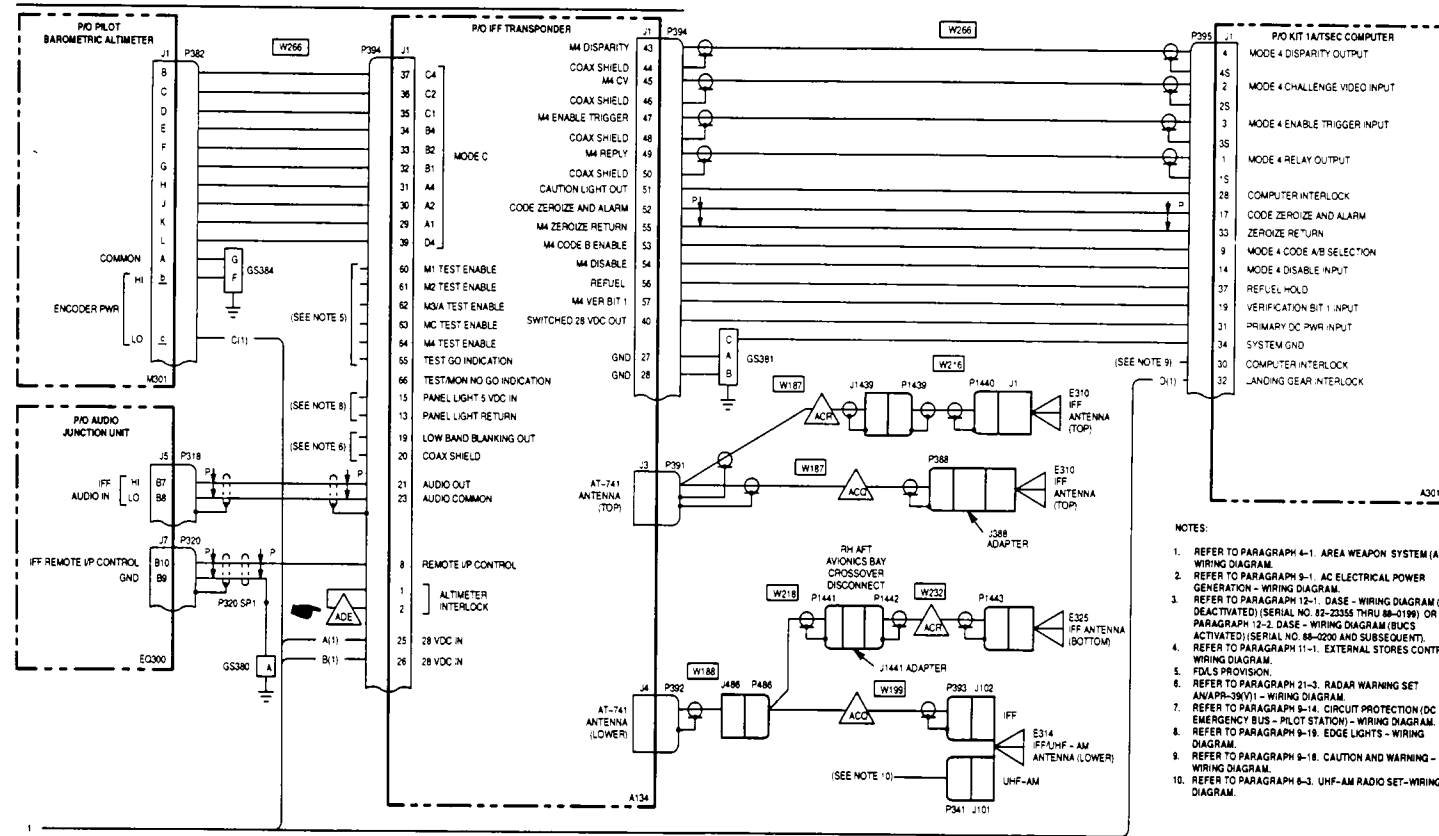
CHAPTER 16. IDENTIFICATION FRIEND OR FOE (IFF) SYSTEM
WIRING DIAGRAM

CHAPTER OVERVIEW

Chapter 16 contains the wiring diagram required for troubleshooting the IFF system.

<u>Para Title</u>	<u>Para No.</u>
IFF - Wiring Diagram	16-1





- NOTES:
1. REFER TO PARAGRAPH 4-1. AREA WEAPON SYSTEM (AWS) - WIRING DIAGRAM.
 2. REFER TO PARAGRAPH 5-1. AC ELECTRICAL POWER GENERATION - WIRING DIAGRAM.
 3. REFER TO PARAGRAPH 12-1. DASE - WIRING DIAGRAM (BUCS DEACTIVATED) (SERIAL NO. 82-23355 THRU 88-0199) OR PARAGRAPH 2-2. DASE - WIRING DIAGRAM (BUCS ACTIVATED) (SERIAL NO. 88-2200 AND SUBSEQUENT).
 4. REFER TO PARAGRAPH 11-1. EXTERNAL STORES CONTROL - WIRING DIAGRAM.
 5. FDLS PROVISION.
 6. REFER TO PARAGRAPH 21-3. RADAR WARNING SET (ANAPP-36V1) - WIRING DIAGRAM.
 7. REFER TO PARAGRAPH 9-14. CIRCUIT PROTECTION (DC EMERGENCY BUS - PILOT STATION) - WIRING DIAGRAM.
 8. REFER TO PARAGRAPH 9-19. EDGE LIGHTS - WIRING DIAGRAM.
 9. REFER TO PARAGRAPH 9-18. CAUTION AND WARNING - WIRING DIAGRAM.
 10. REFER TO PARAGRAPH 6-3. UHF-AM RADIO SET - WIRING DIAGRAM.

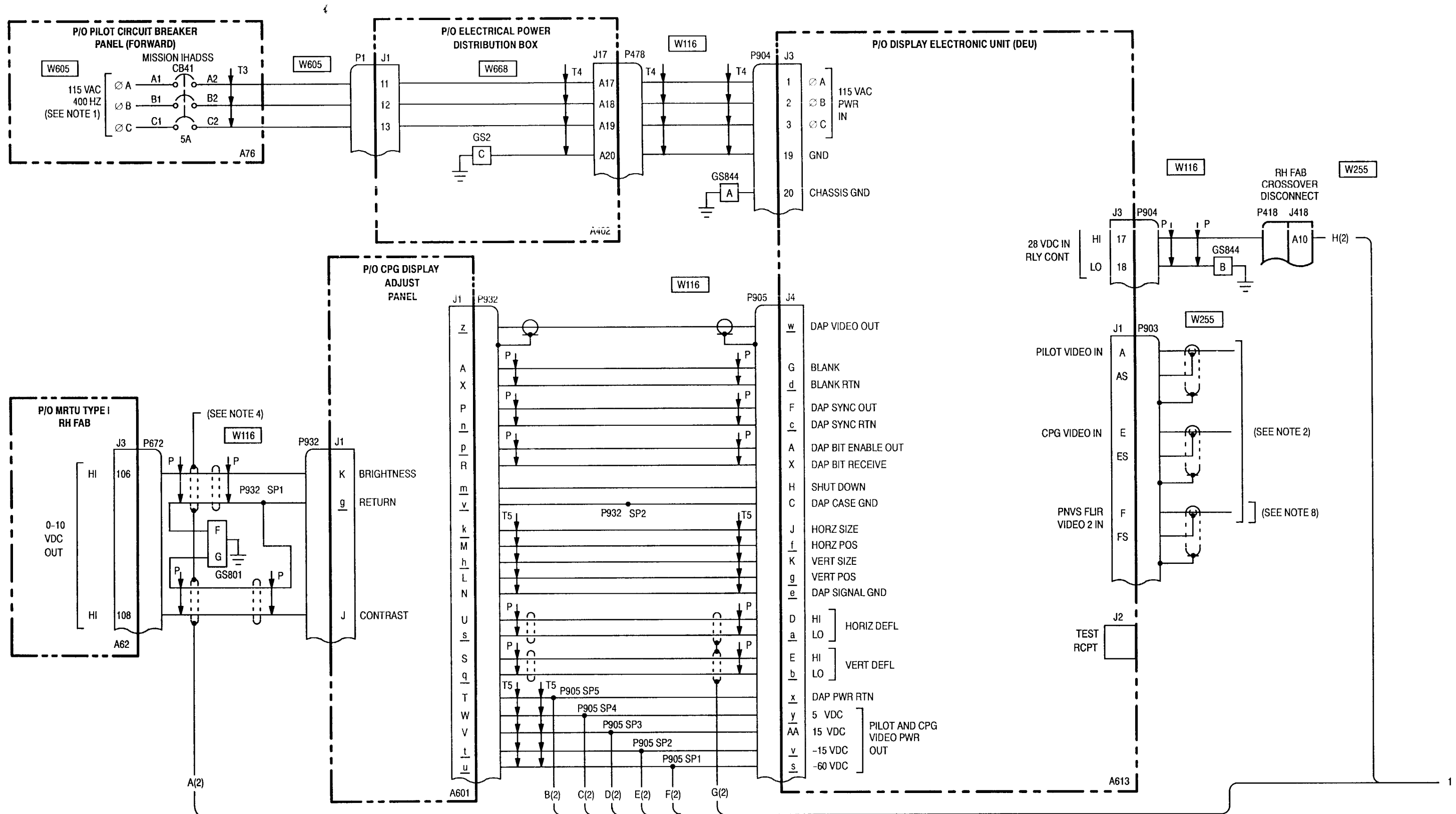
SHEET 2 OF 2 M50-249-2C

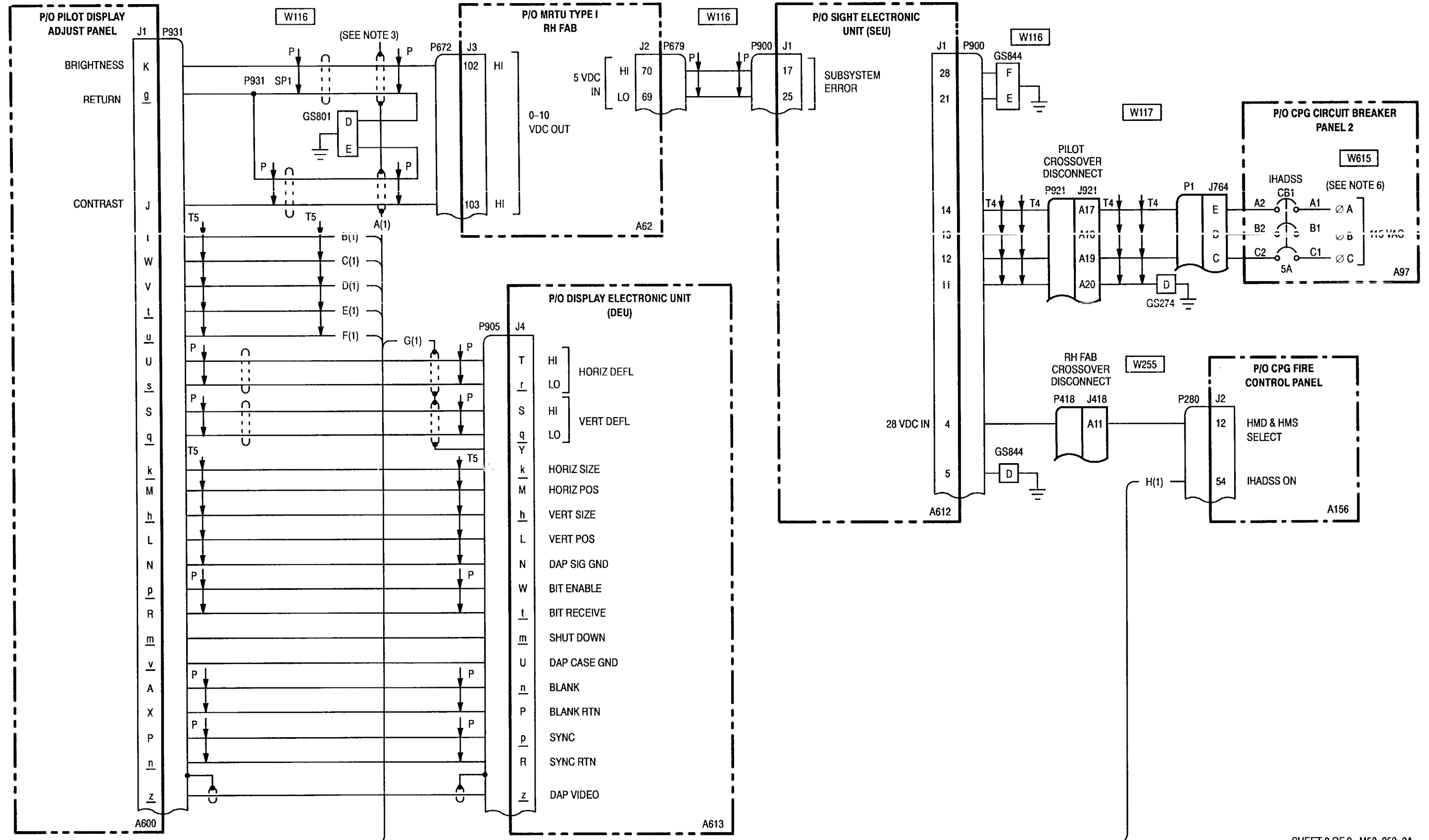
**CHAPTER 17. INTEGRATED HELMET AND DISPLAY SIGHT
SYSTEM (IHADSS) WIRING DIAGRAM**

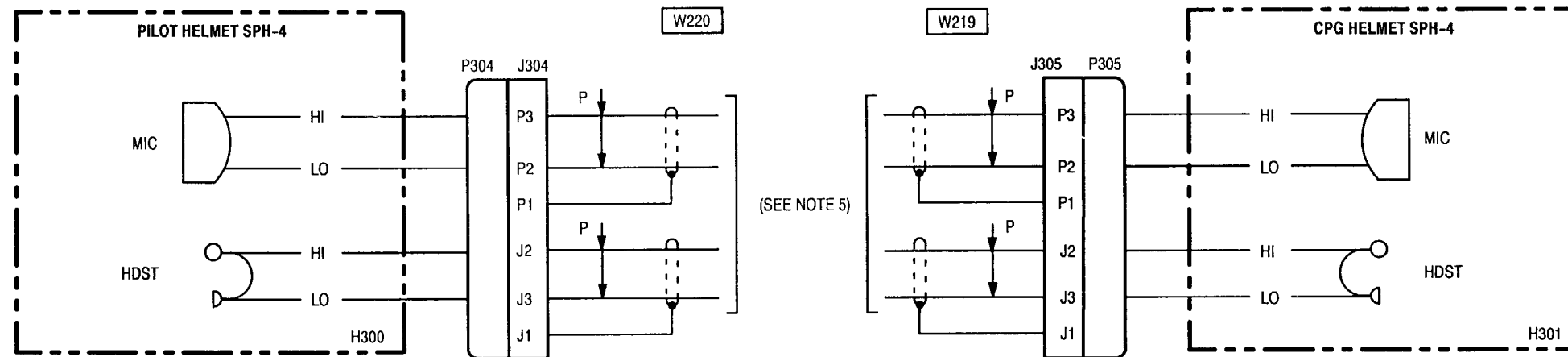
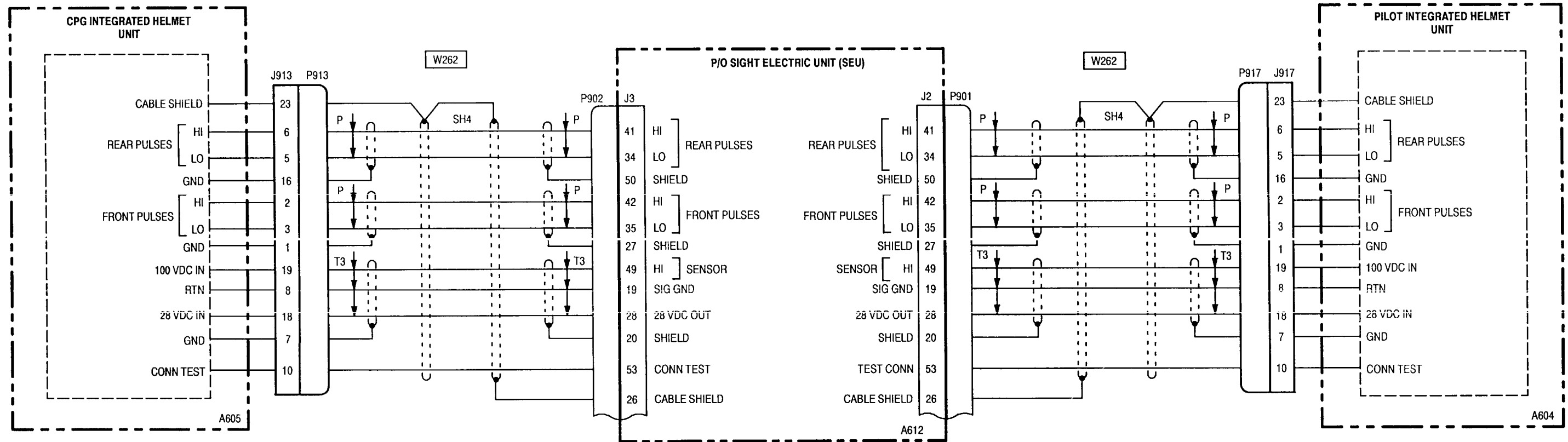
CHAPTER OVERVIEW

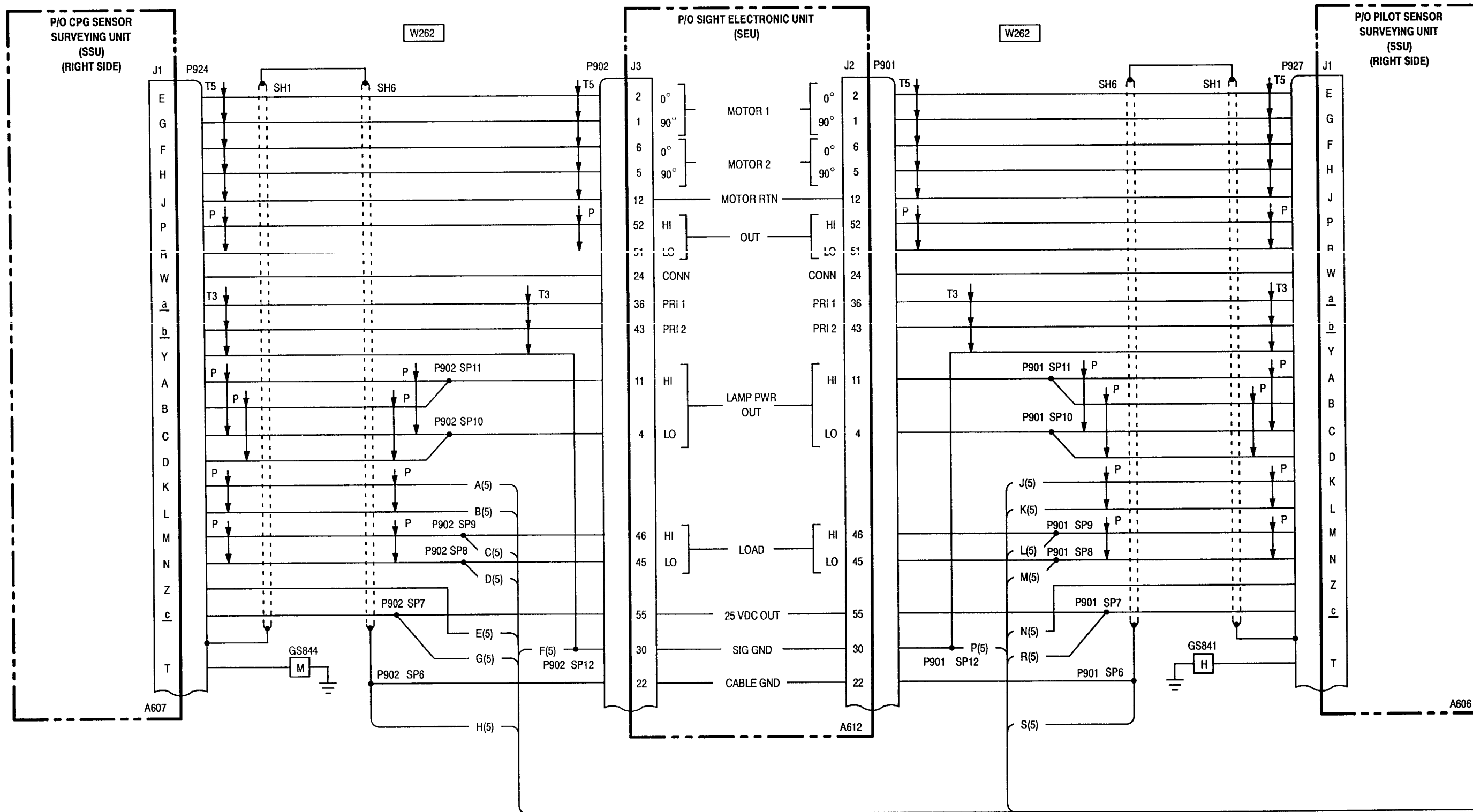
Chapter 17 contains the wiring diagram required for troubleshooting the IHADSS system.

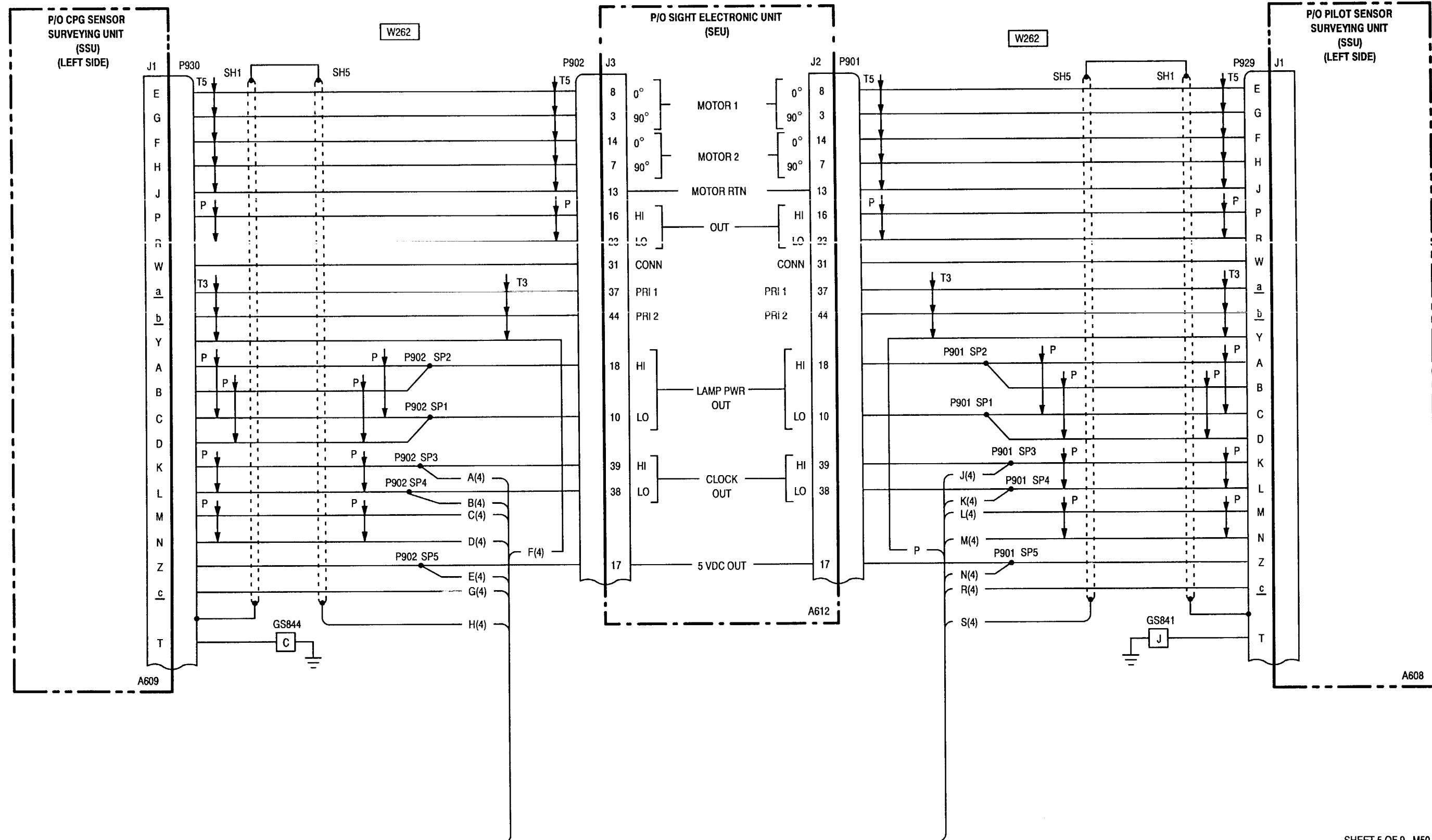
<u>Para Title</u>	<u>Para No.</u>
IHADSS - Wiring Diagram	17-1



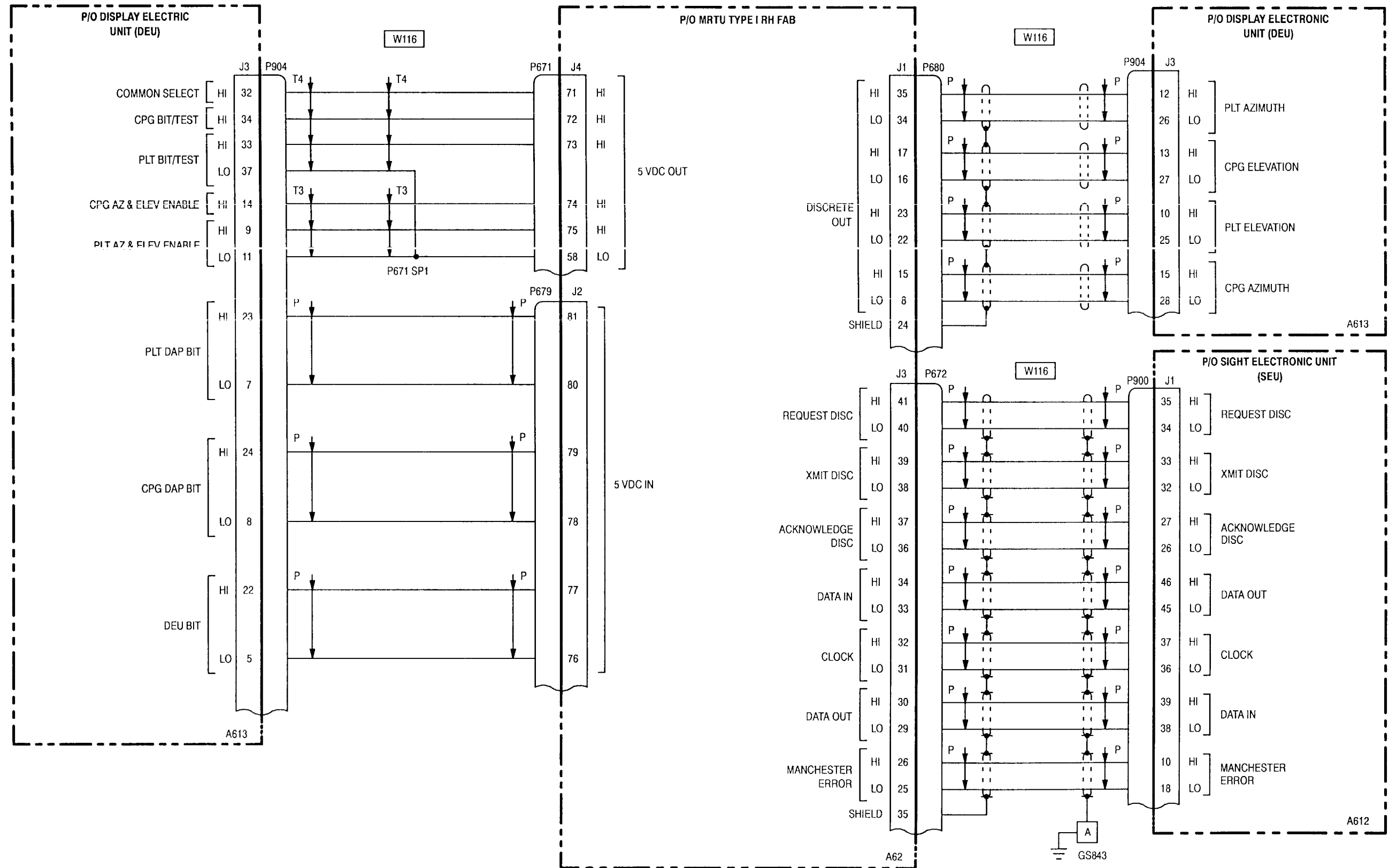


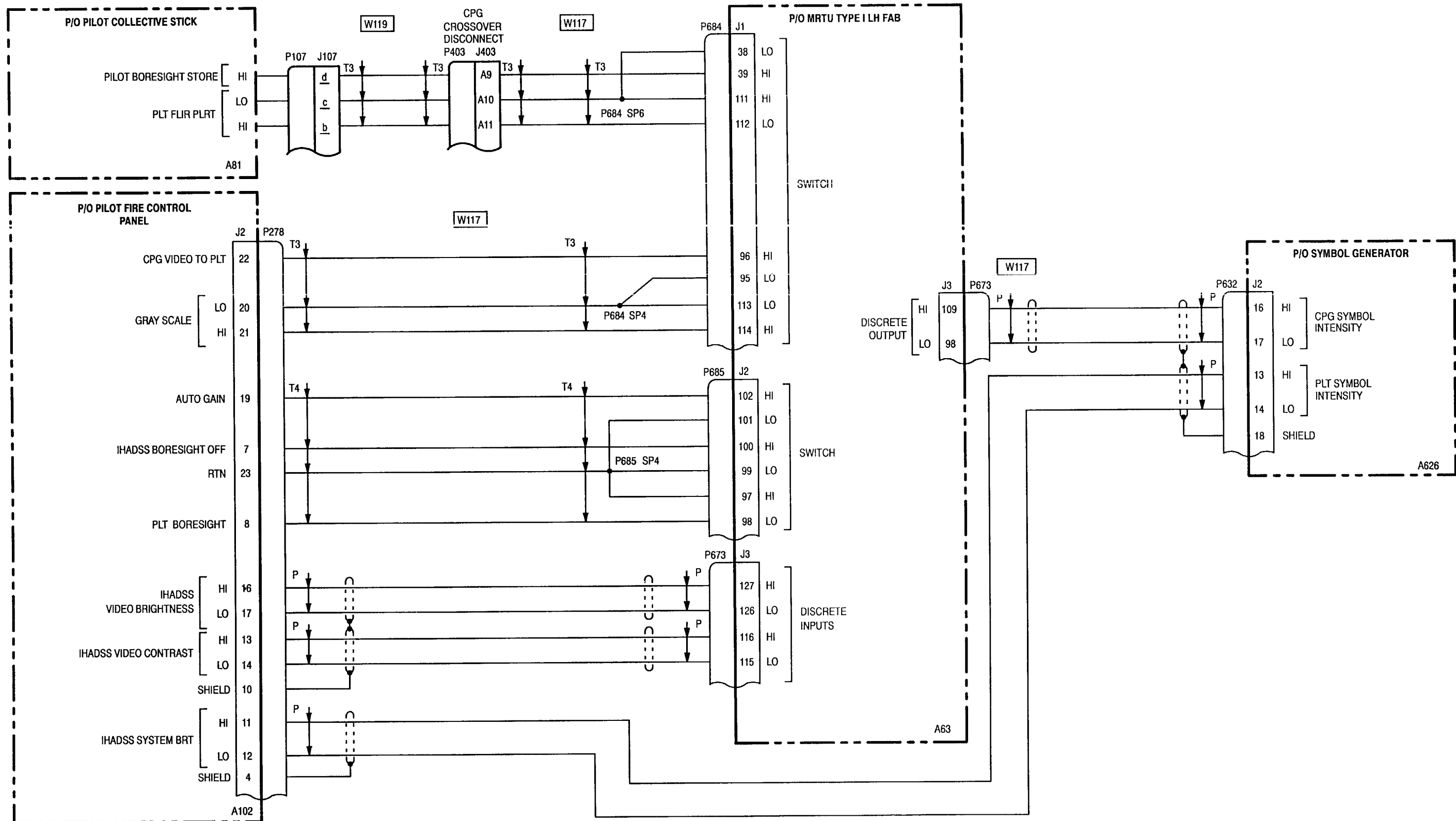






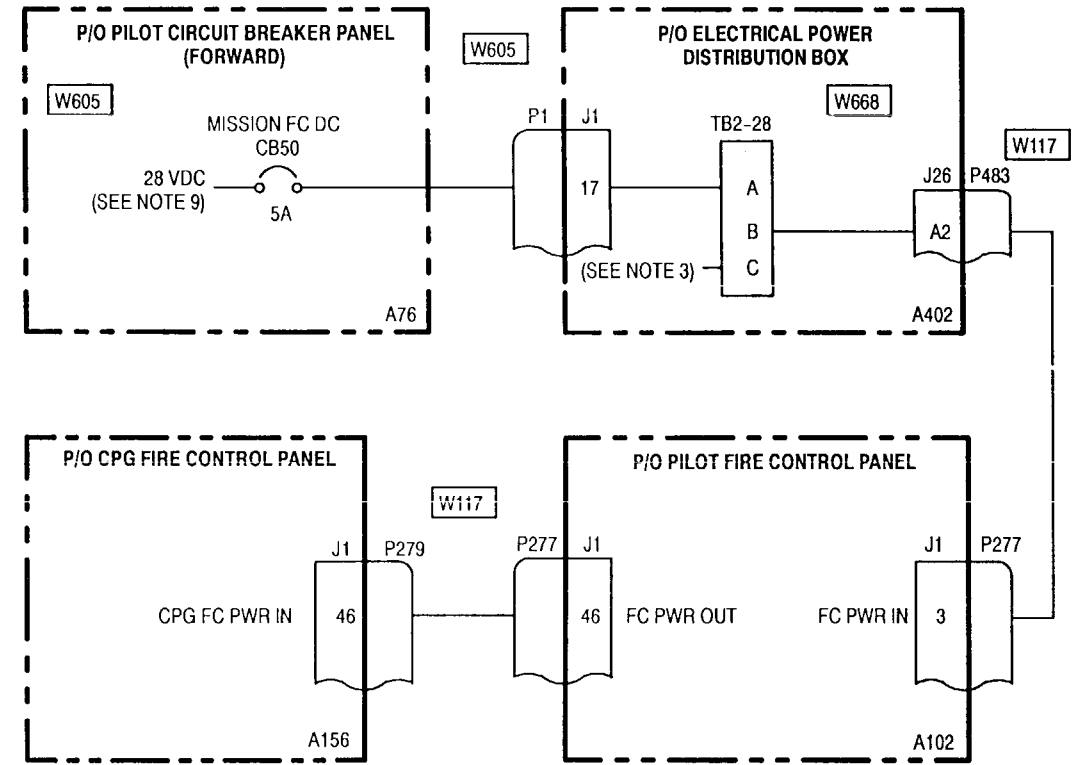
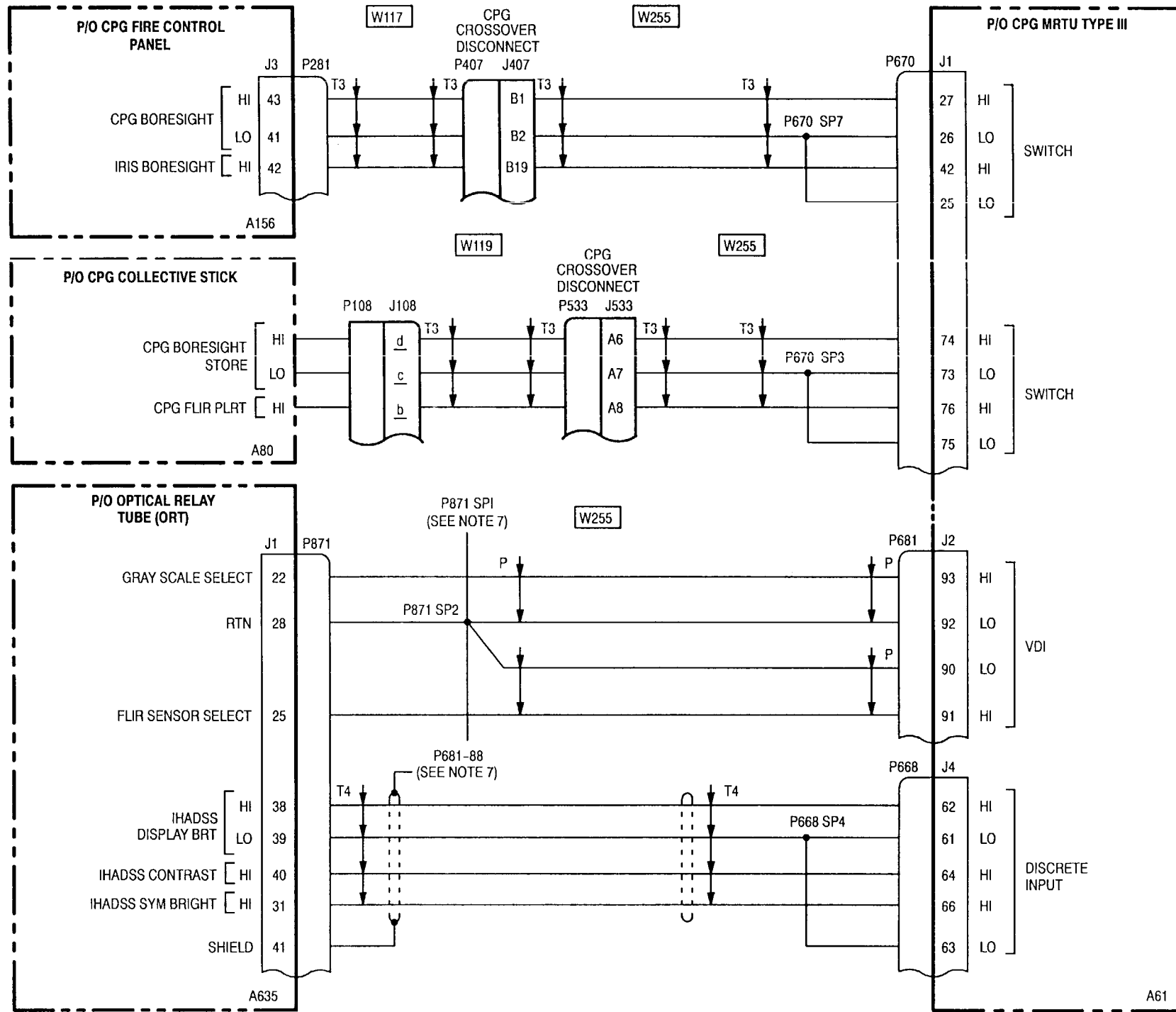
17-1. IHADSS - WIRING DIAGRAM (cont)

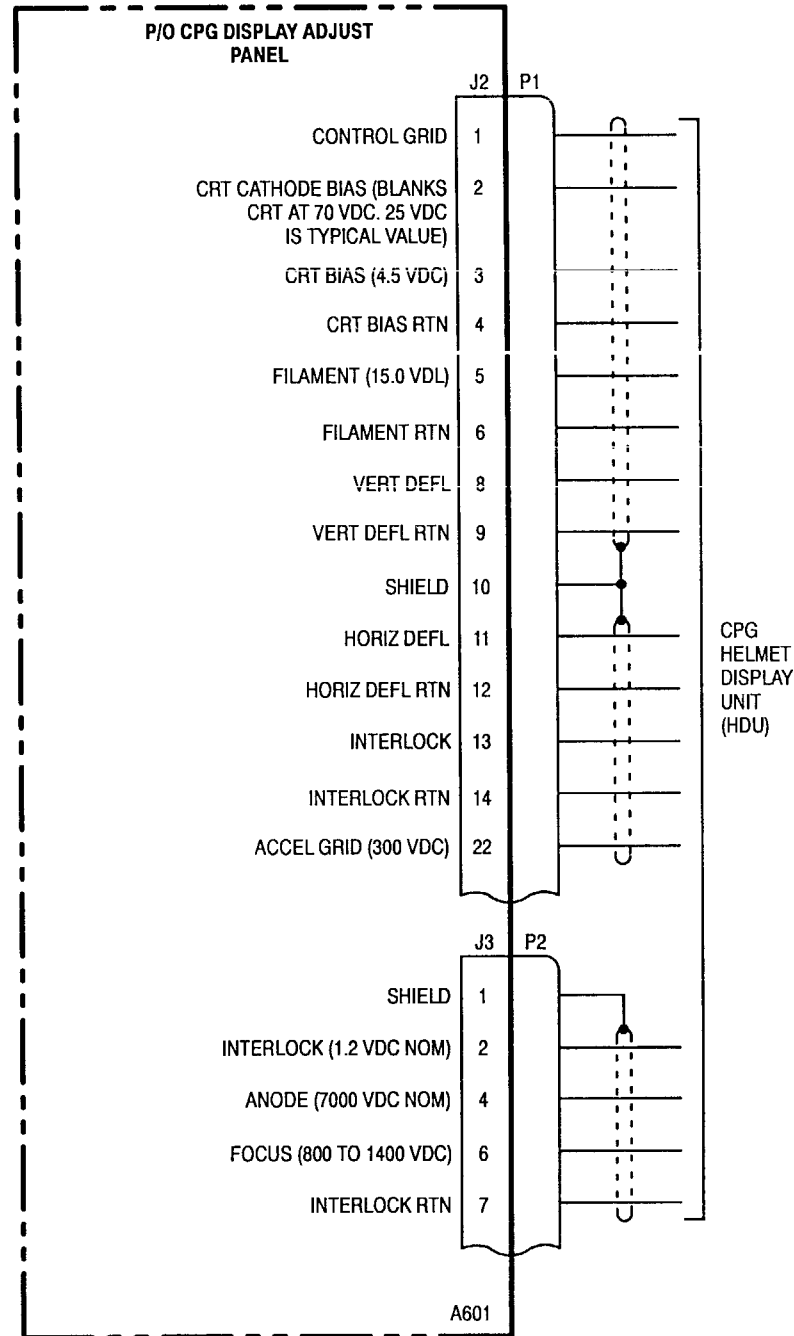
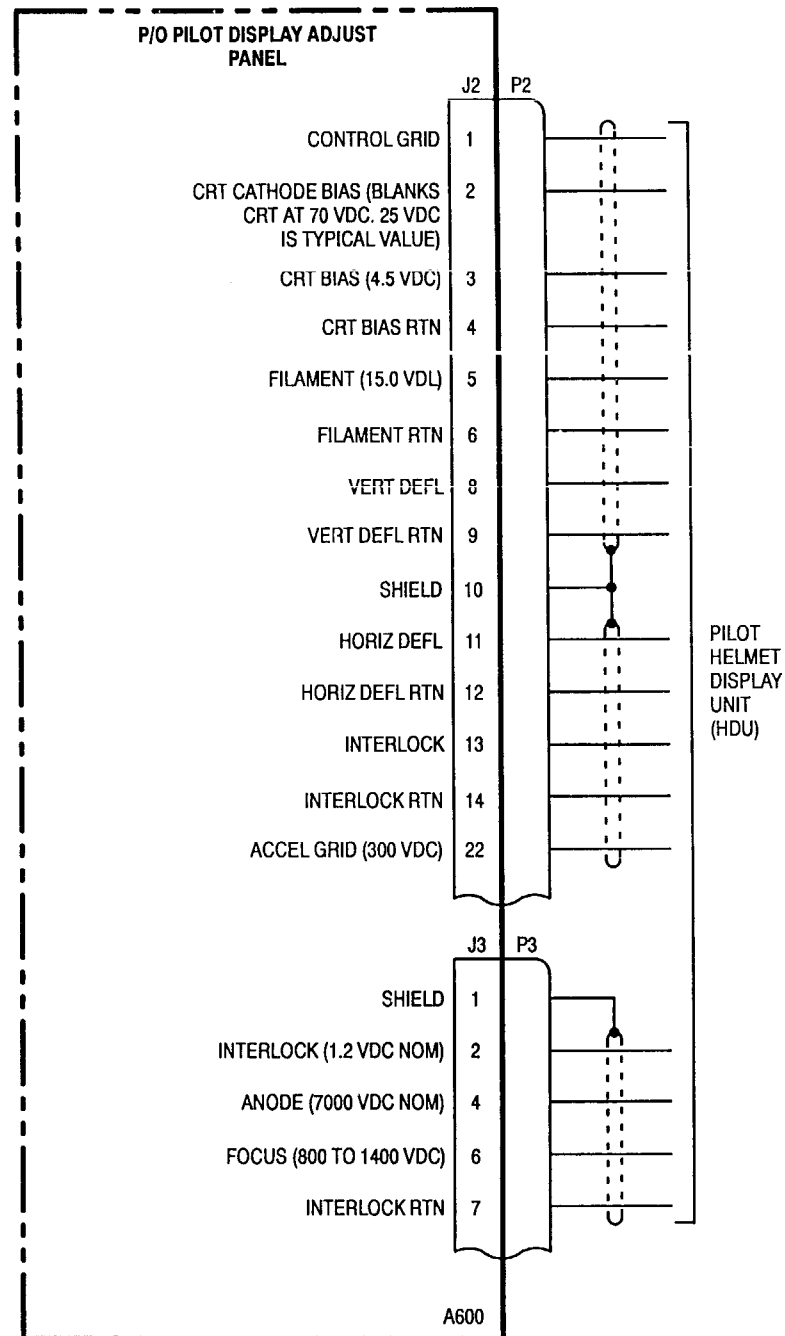




17-1. IHADSS - WIRING DIAGRAM (cont)

17-1





NOTES:

1. REFER TO PARAGRAPH 9-5. CIRCUIT PROTECTION (AC ESSENTIAL BUS 1-PILOT STATION) - WIRING DIAGRAM.
2. REFER TO PARAGRAPH 26-1. SYMBOL GENERATOR - WIRING DIAGRAM.
3. REFER TO PARAGRAPH 4-1. AREA WEAPON SYSTEM (AWS) - WIRING DIAGRAM.
4. REFER TO PARAGRAPH 8-1. DRIVE SYSTEM - WIRING DIAGRAM.
5. REFER TO PARAGRAPH 6-1. INTERCOMMUNICATION - WIRING DIAGRAM.
6. REFER TO PARAGRAPH 9-6. CIRCUIT PROTECTION (AC ESSENTIAL BUS 1-CPG STATION) - WIRING DIAGRAM.
7. REFER TO PARAGRAPH 24-1. TADS - WIRING DIAGRAM.
8. REFER TO PARAGRAPH 22-1. PNVS - WIRING DIAGRAM.
9. REFER TO PARAGRAPH 9-12. CIRCUIT PROTECTION (DC ESSENTIAL BUS 3-PILOT STATION) - WIRING DIAGRAM.

CHAPTER 18. INSTRUMENTS SYSTEM WIRING DIAGRAM

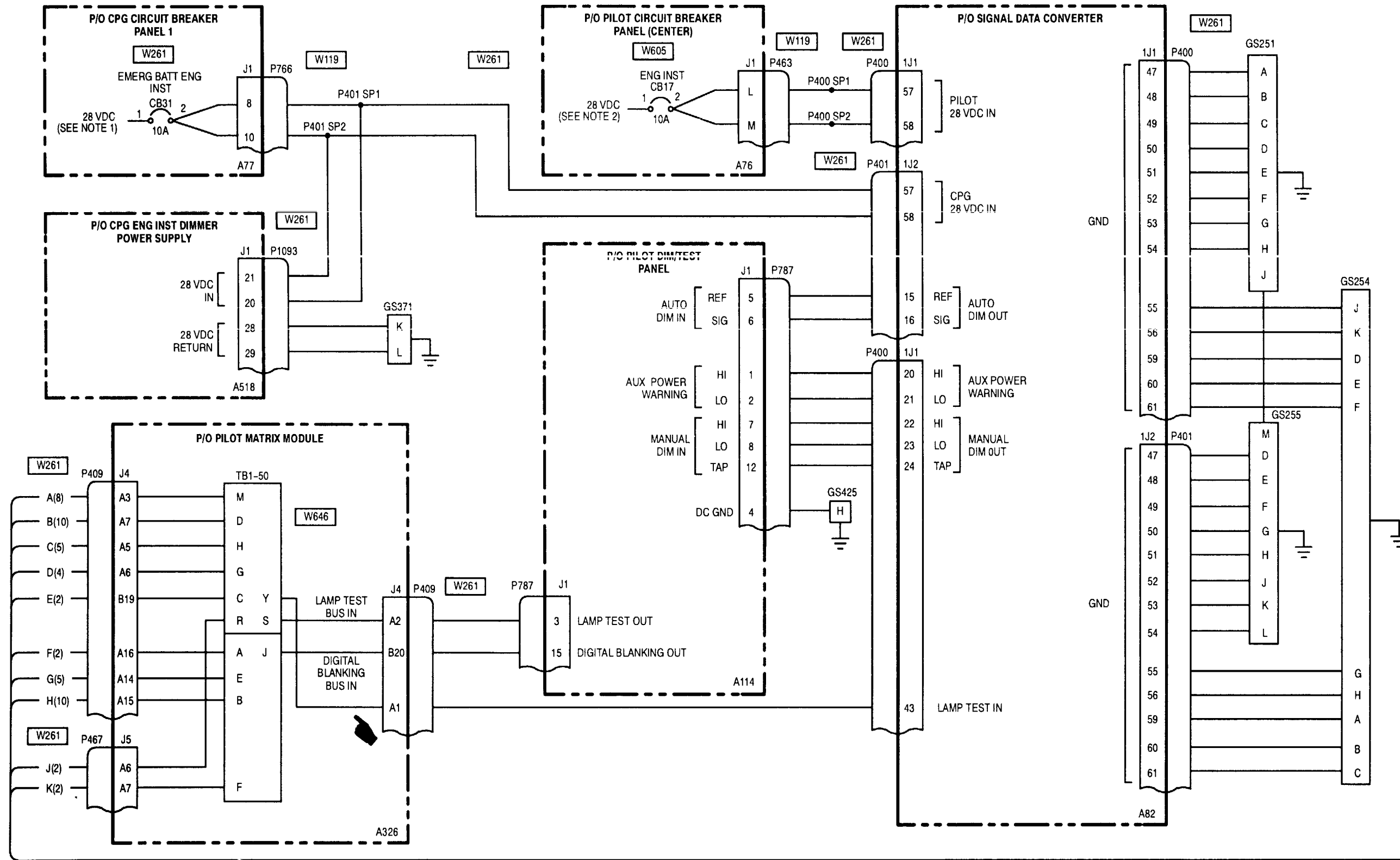
CHAPTER OVERVIEW

Chapter 18 contains wiring diagrams required for troubleshooting the instruments system.

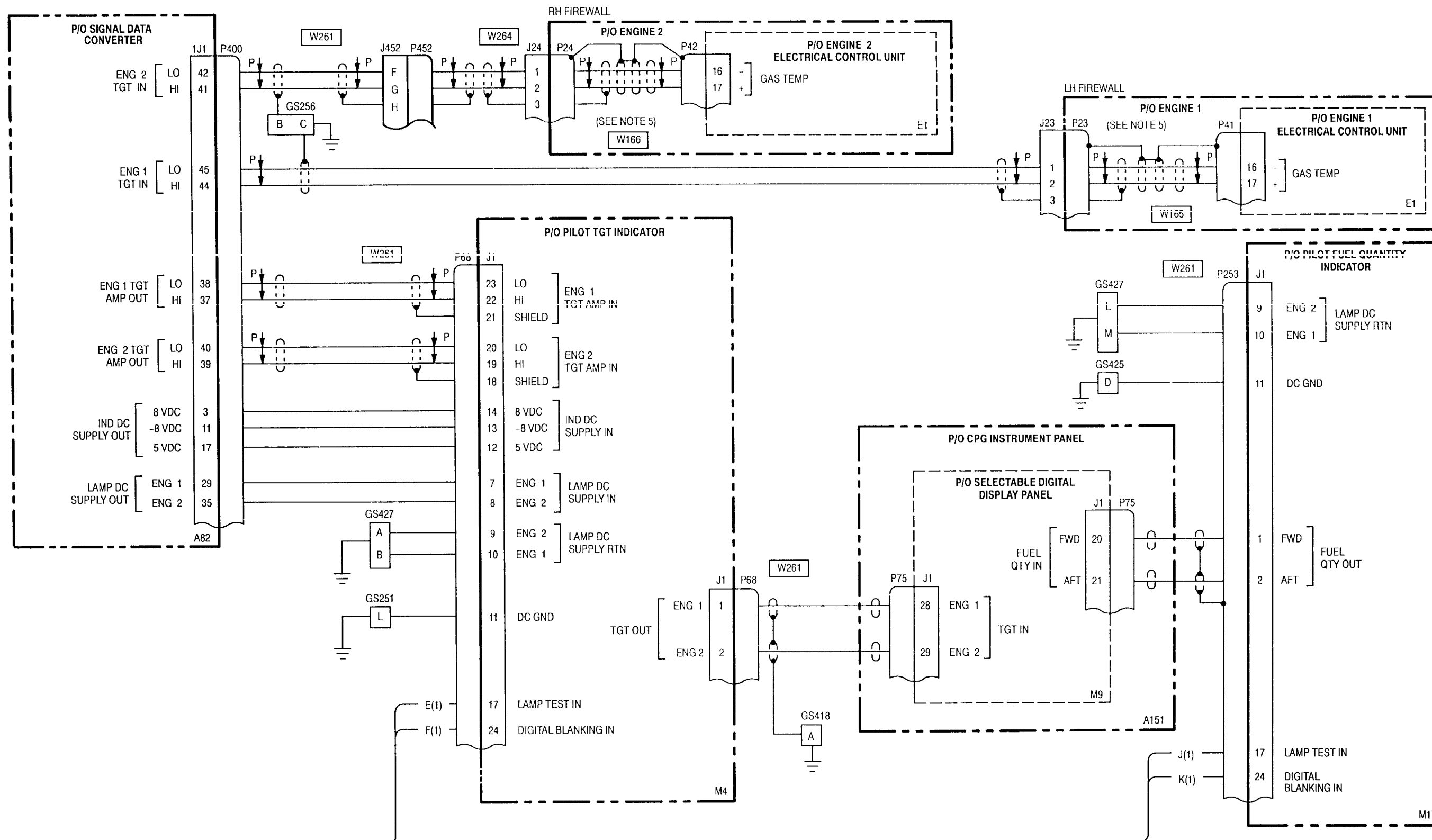
Chapter 18 is divided into the following paragraphs:

<u>Para Title</u>	<u>Para No.</u>
Engine Instruments -Wiring Diagram	18-1
Navigation Instruments -Wiring Diagram	18-2

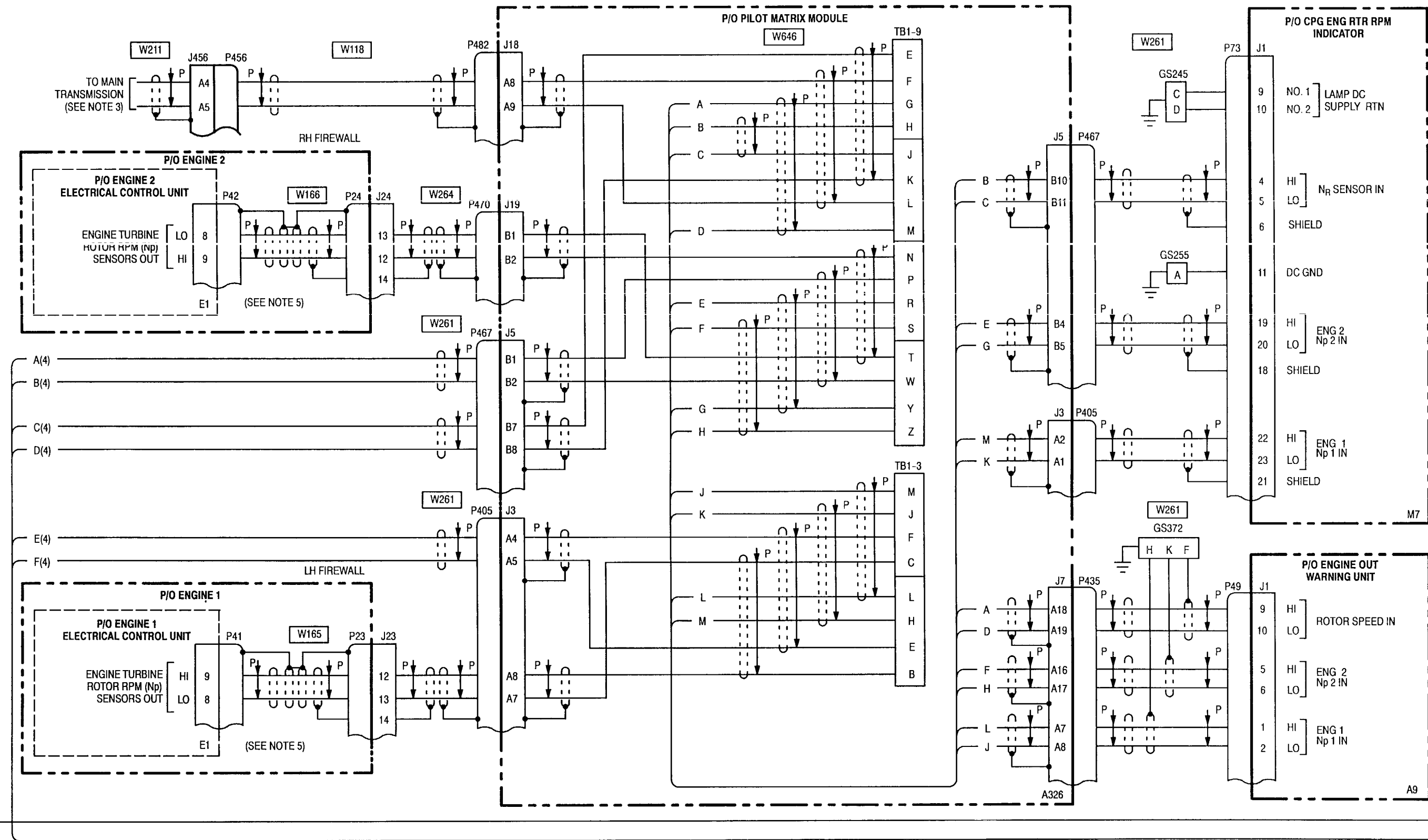
18-1. ENGINE INSTRUMENTS - WIRING DIAGRAM



18-1. ENGINE INSTRUMENTS - WIRING DIAGRAM (cont)



18-1. ENGINE INSTRUMENTS - WIRING DIAGRAM (cont)

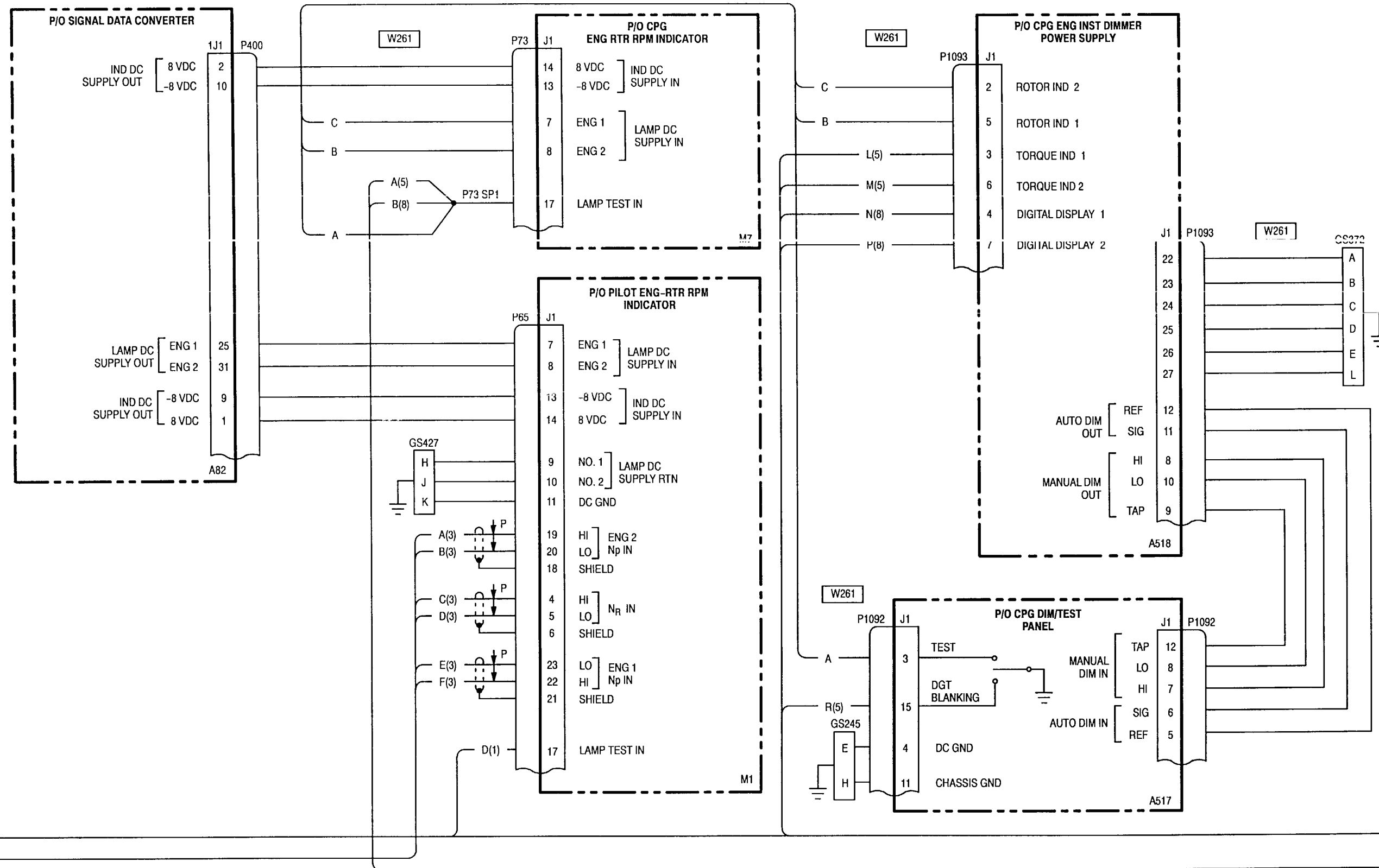


1

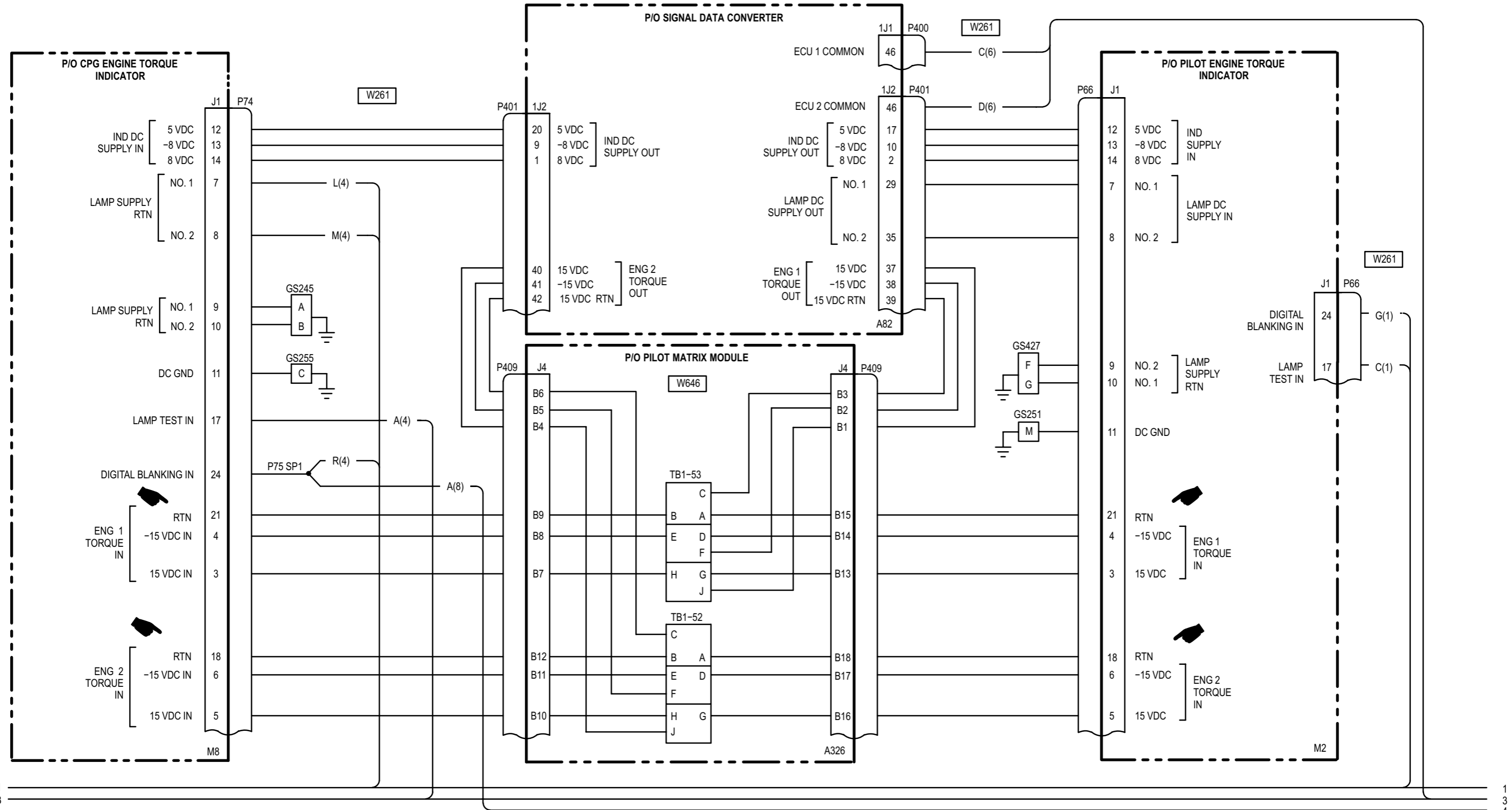
1

2

18-1. ENGINE INSTRUMENTS - WIRING DIAGRAM (cont)



1
2

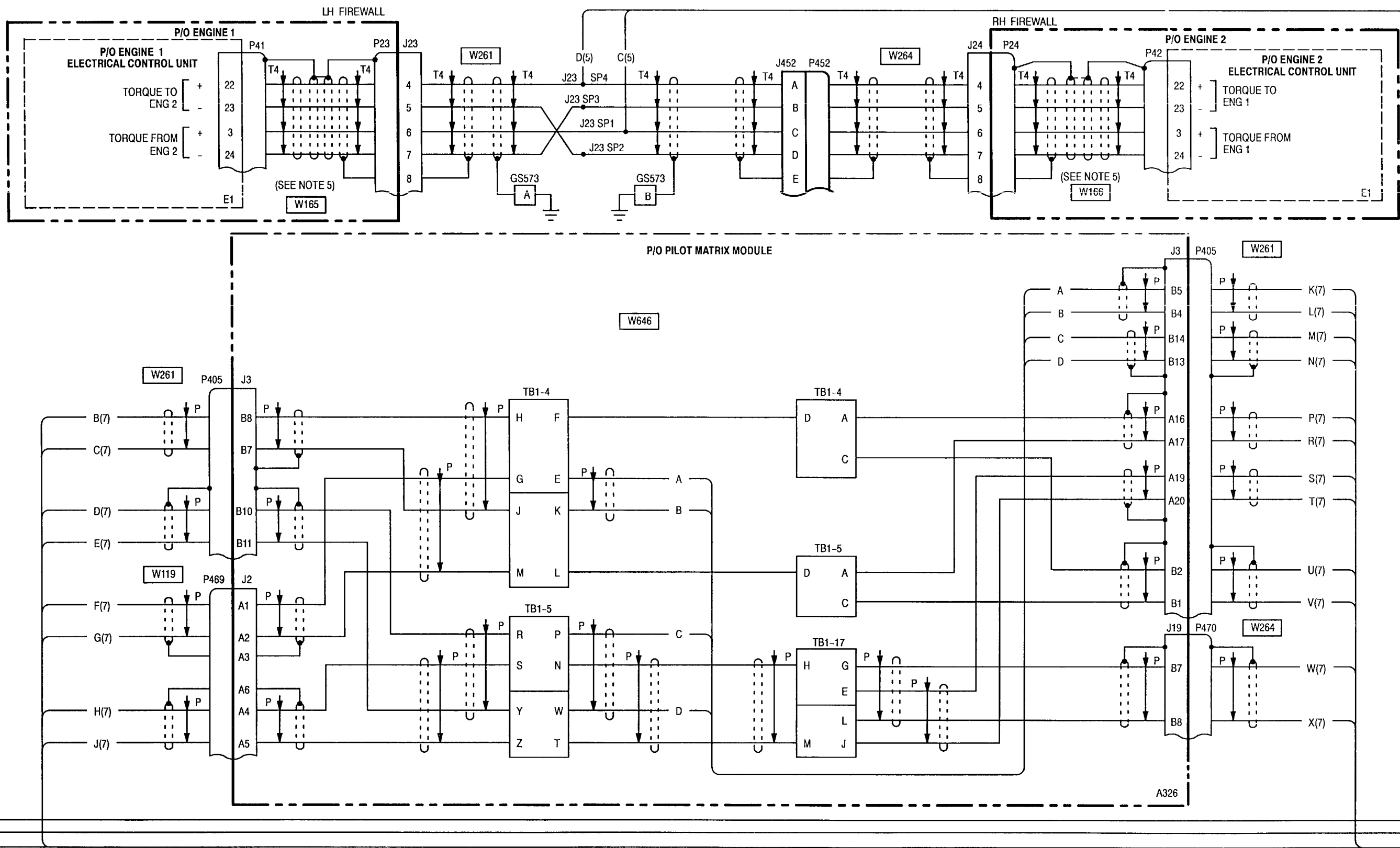


1
3

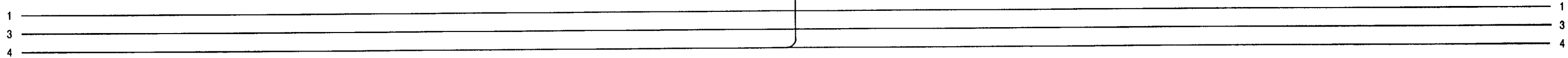
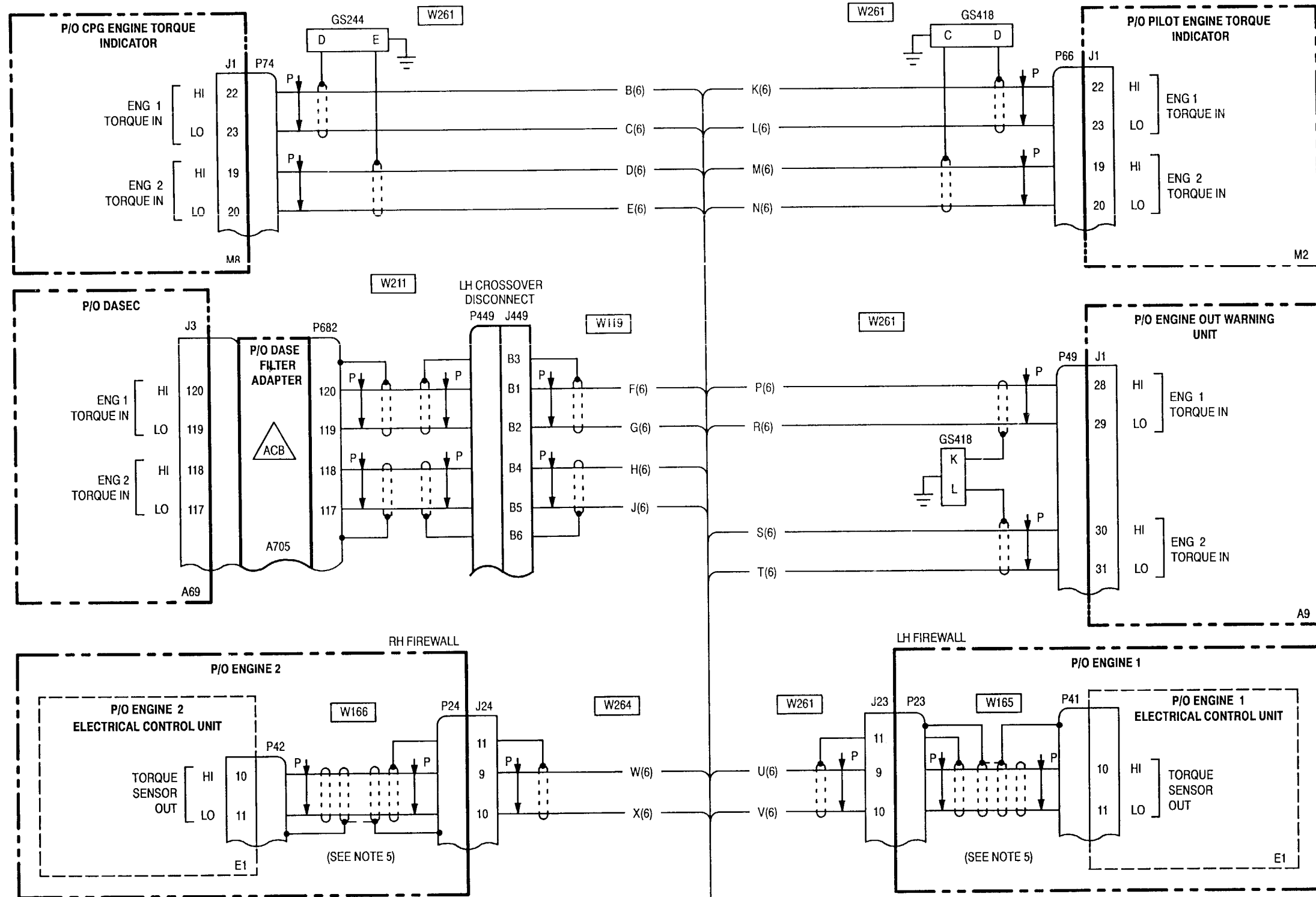
1
3
4

18-1. ENGINE INSTRUMENTS - WIRING DIAGRAM (cont)

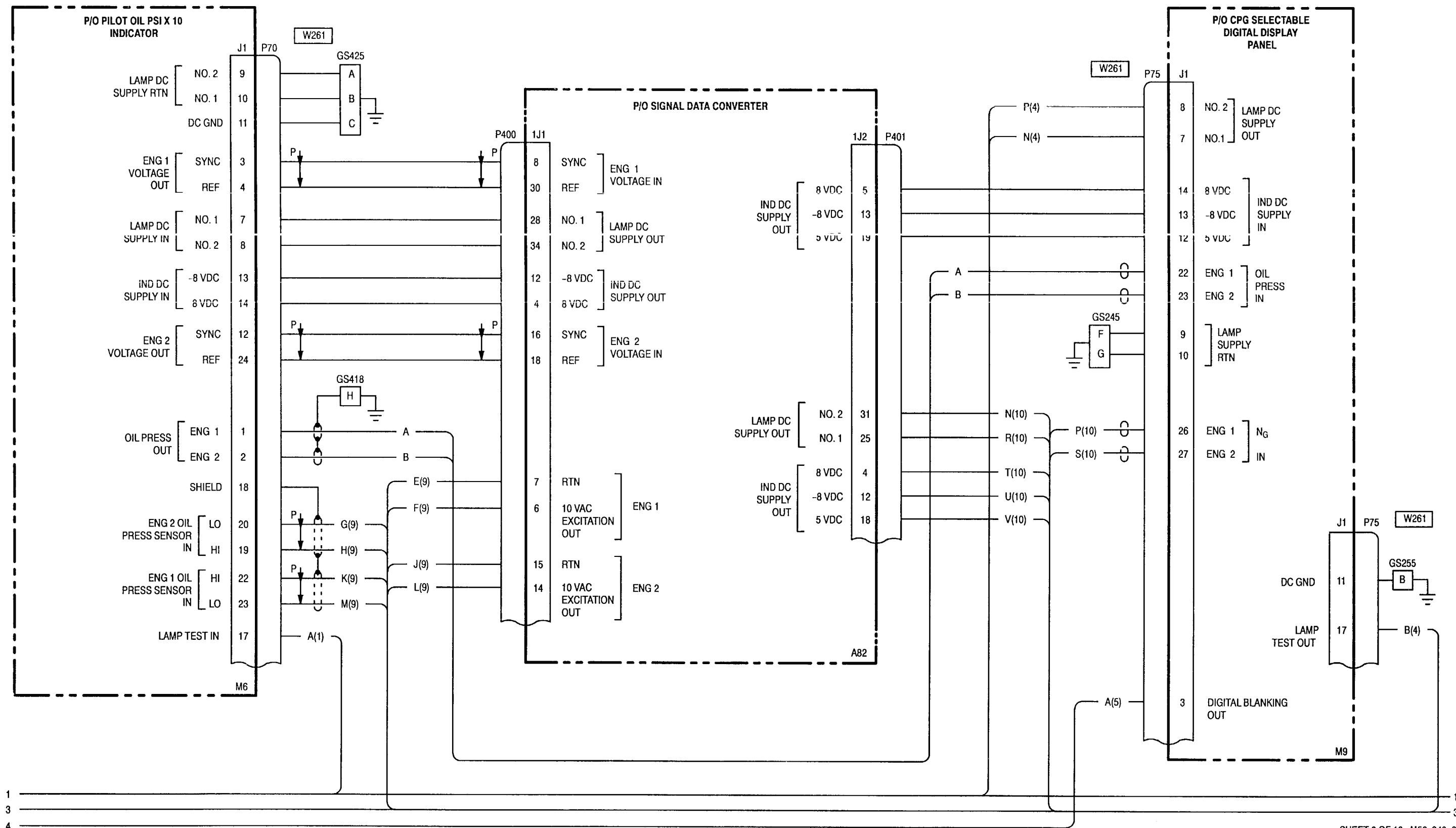
18-1

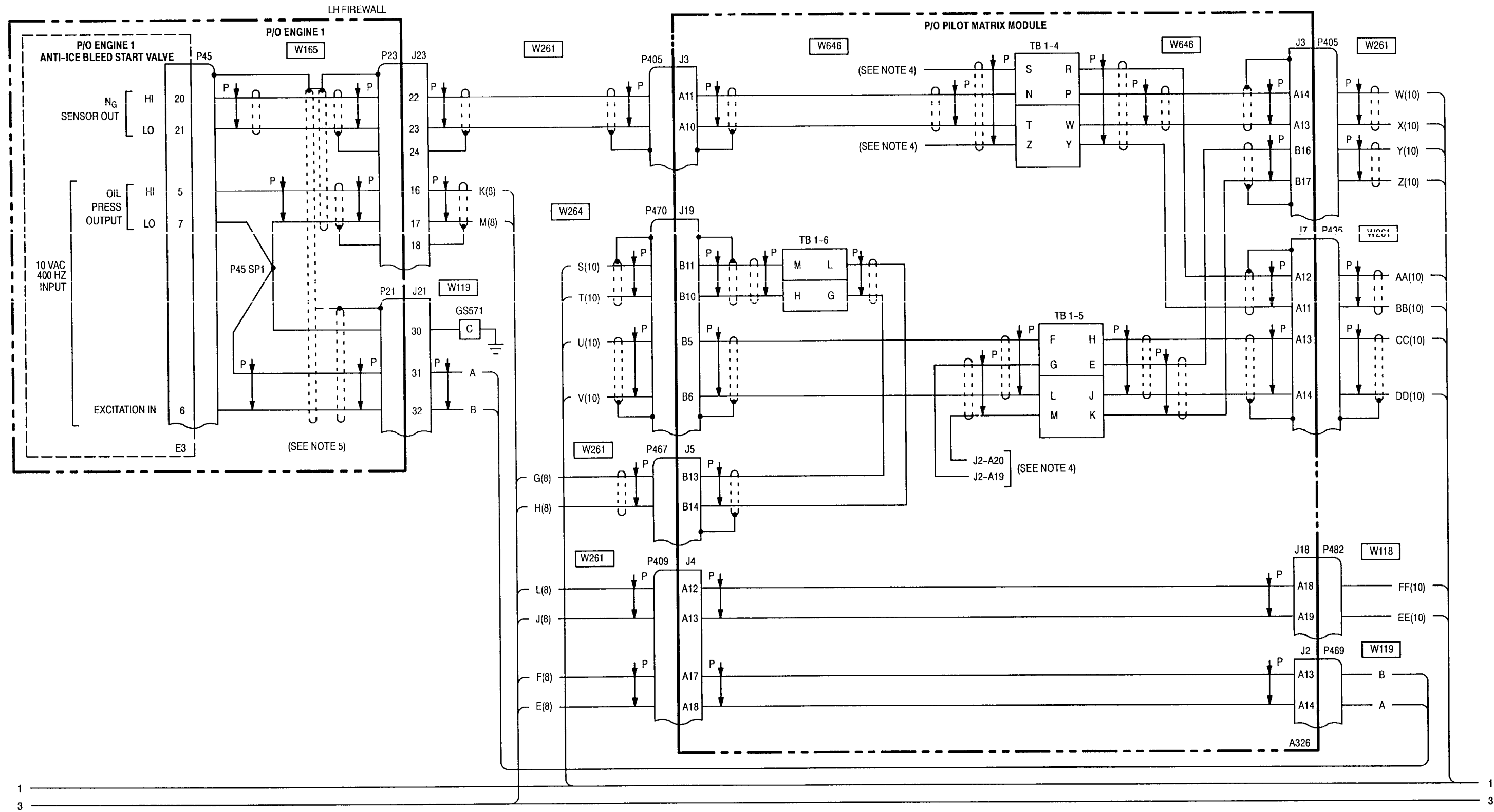


1
3
4



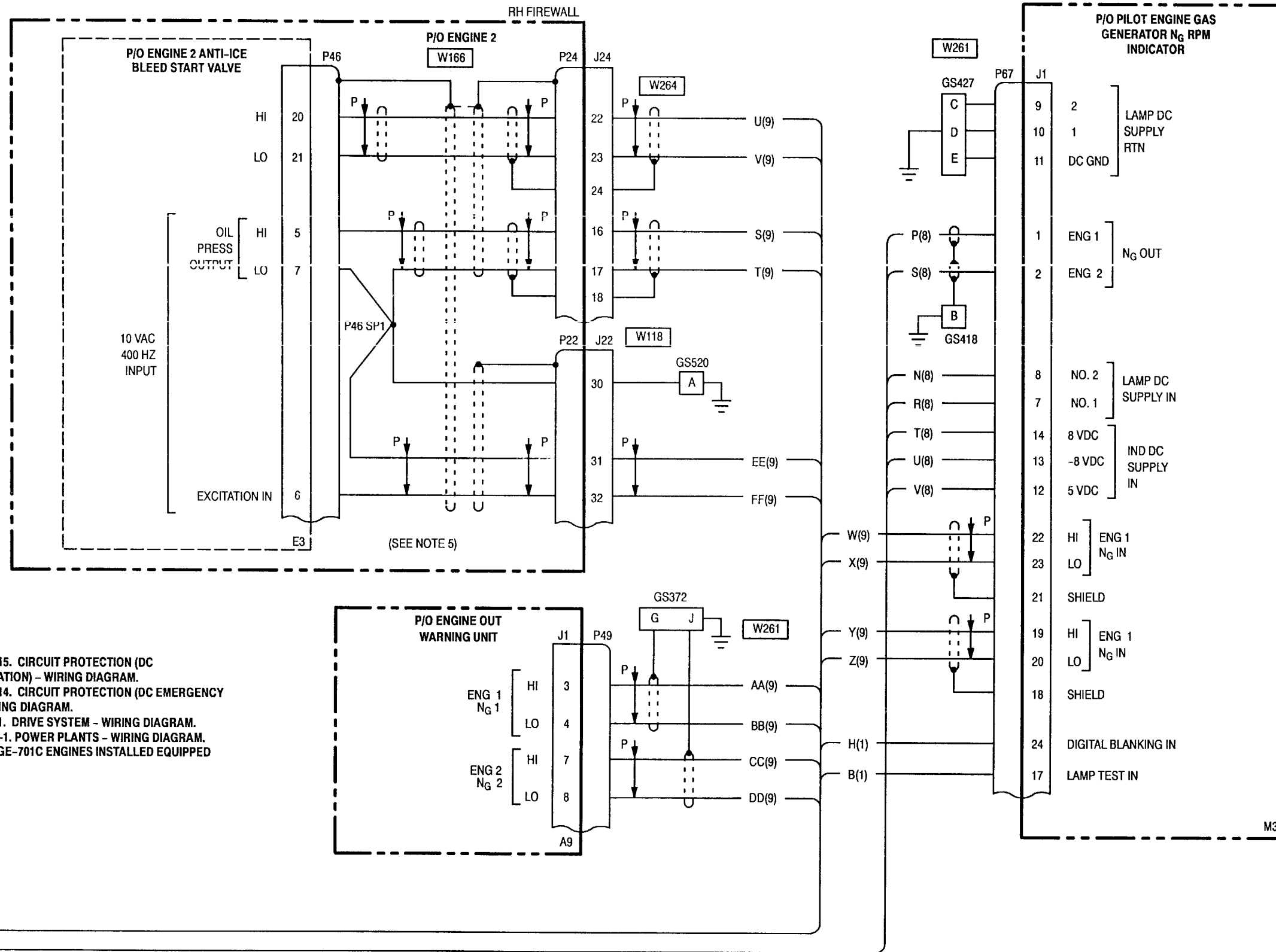
18-1. ENGINE INSTRUMENTS - WIRING DIAGRAM (cont)





1
3

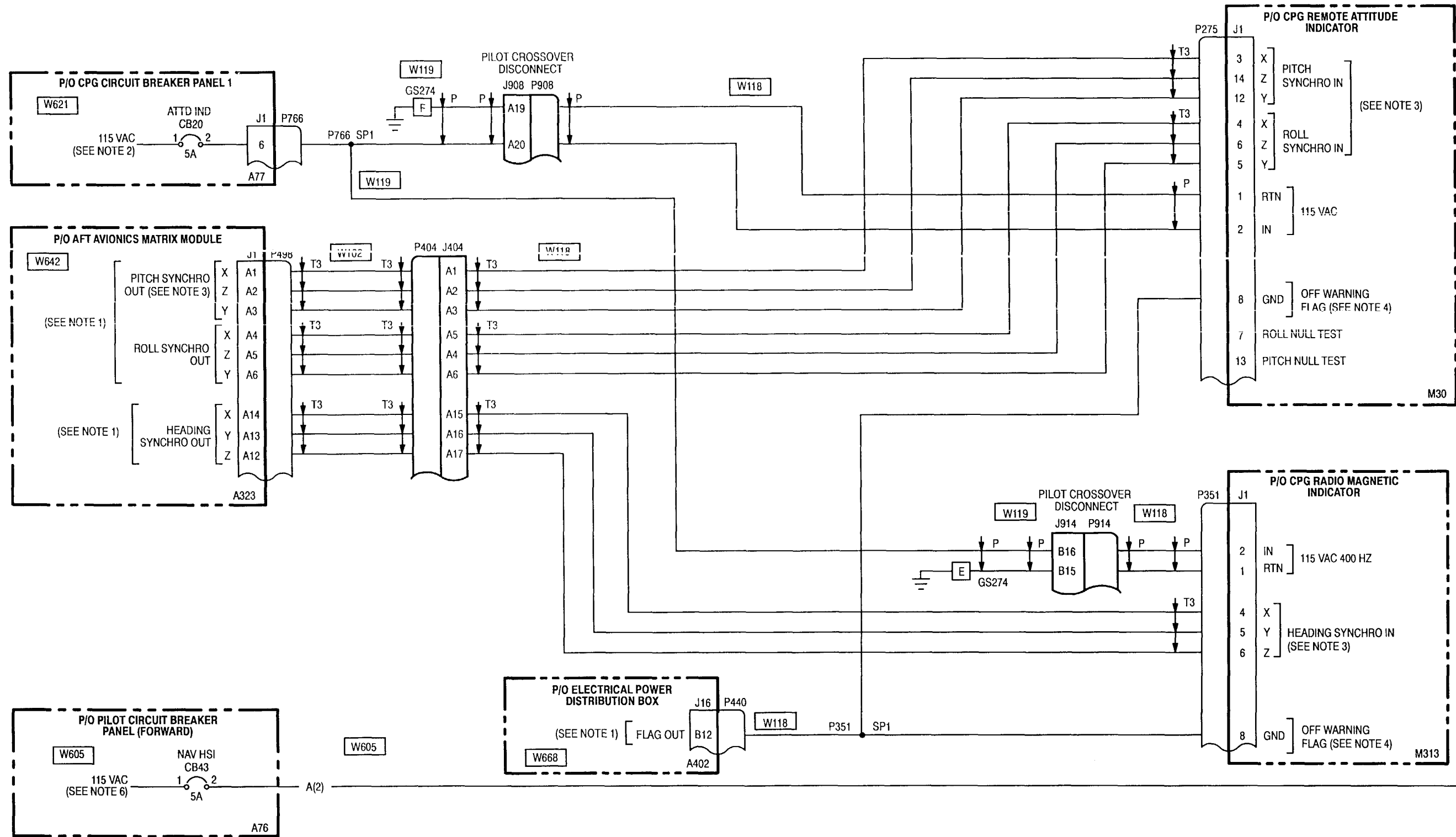
18-1. ENGINE INSTRUMENTS - WIRING DIAGRAM (cont)



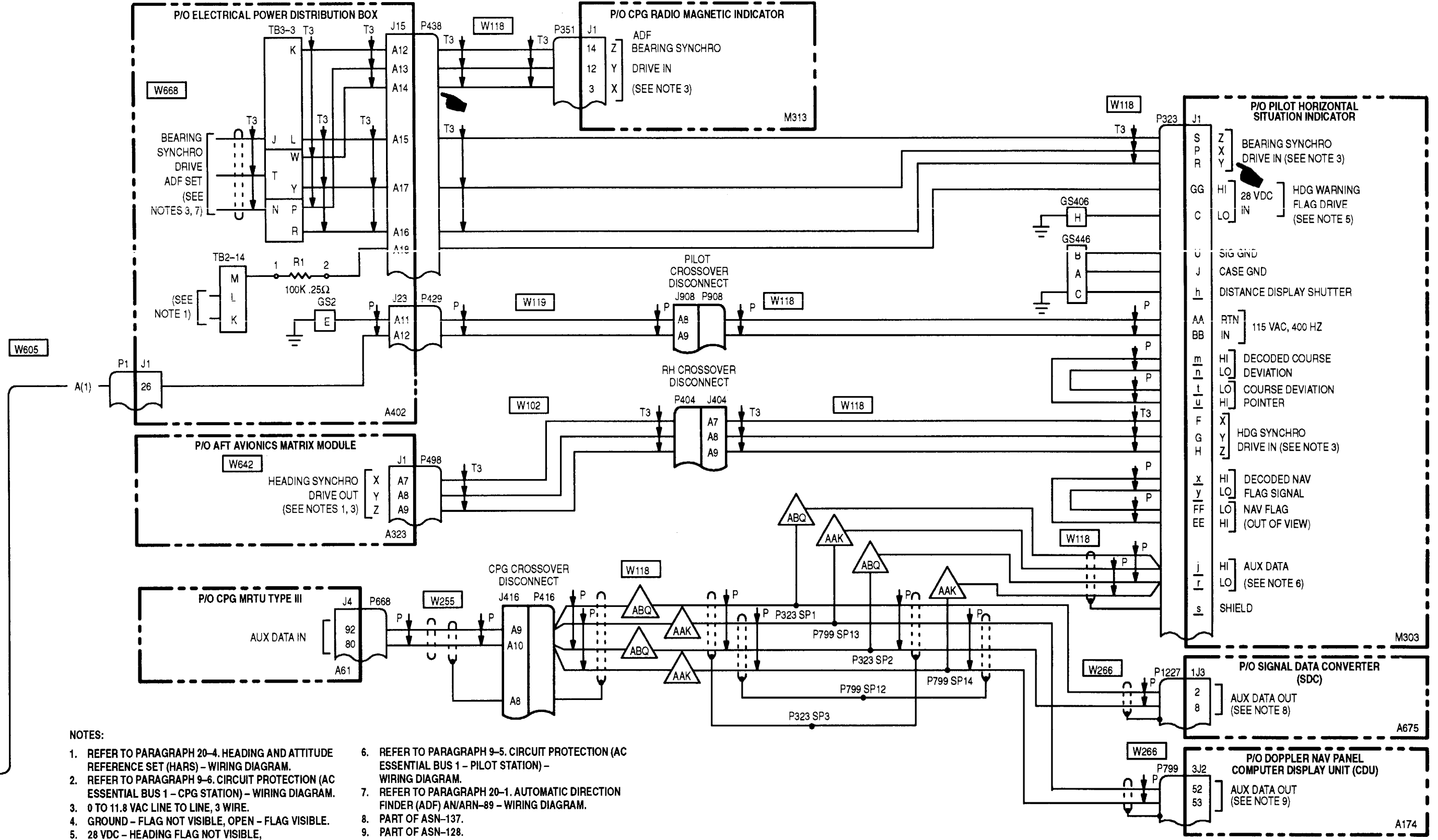
NOTES:

1. REFER TO PARAGRAPH 9-15. CIRCUIT PROTECTION (DC EMERGENCY BUS-CPG STATION) - WIRING DIAGRAM.
2. REFER TO PARAGRAPH 9-14. CIRCUIT PROTECTION (DC EMERGENCY BUS-PILOT STATION) - WIRING DIAGRAM.
3. REFER TO PARAGRAPH 8-1. DRIVE SYSTEM - WIRING DIAGRAM.
4. REFER TO PARAGRAPH 23-1. POWER PLANTS - WIRING DIAGRAM.
5. HELICOPTERS WITH T700-GE-701C ENGINES INSTALLED EQUIPPED WITH EMI SHIELDING

1
3



18-2. NAVIGATION INSTRUMENTS - WIRING DIAGRAM (cont)



- NOTES:
- REFER TO PARAGRAPH 20-4. HEADING AND ATTITUDE REFERENCE SET (HARS) - WIRING DIAGRAM.
 - REFER TO PARAGRAPH 9-6. CIRCUIT PROTECTION (AC ESSENTIAL BUS 1 - CPG STATION) - WIRING DIAGRAM.
 - 0 TO 11.8 VAC LINE TO LINE, 3 WIRE.
 - GROUND - FLAG NOT VISIBLE, OPEN - FLAG VISIBLE.
 - 28 VDC - HEADING FLAG NOT VISIBLE, GROUND - HEADING FLAG VISIBLE.
 - REFER TO PARAGRAPH 9-5. CIRCUIT PROTECTION (AC ESSENTIAL BUS 1 - PILOT STATION) - WIRING DIAGRAM.
 - REFER TO PARAGRAPH 20-1. AUTOMATIC DIRECTION FINDER (ADF) AN/ARN-89 - WIRING DIAGRAM.
 - PART OF ASN-137.
 - PART OF ASN-128.

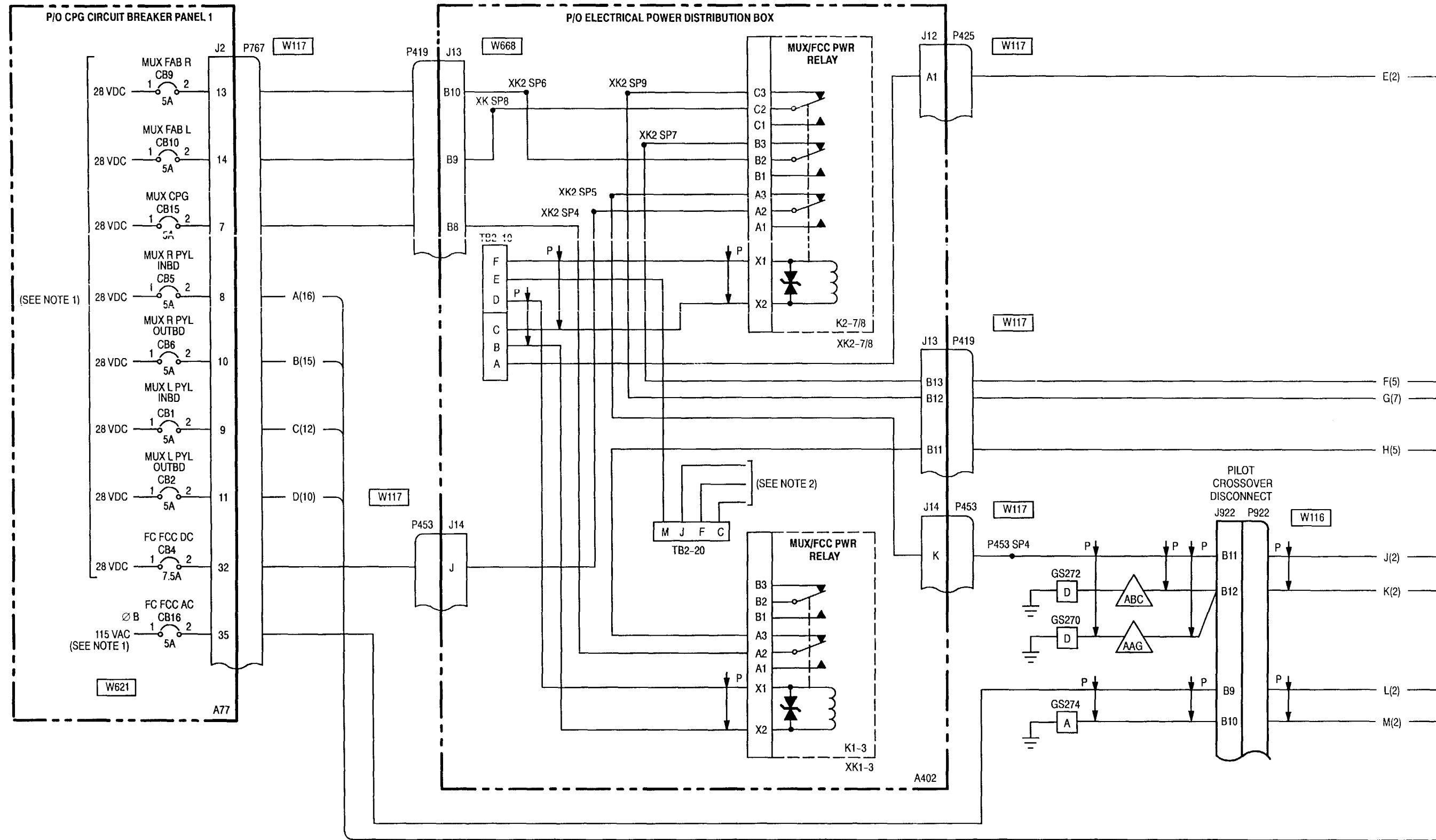
CHAPTER 19. MULTIPLEX – WIRING DIAGRAM

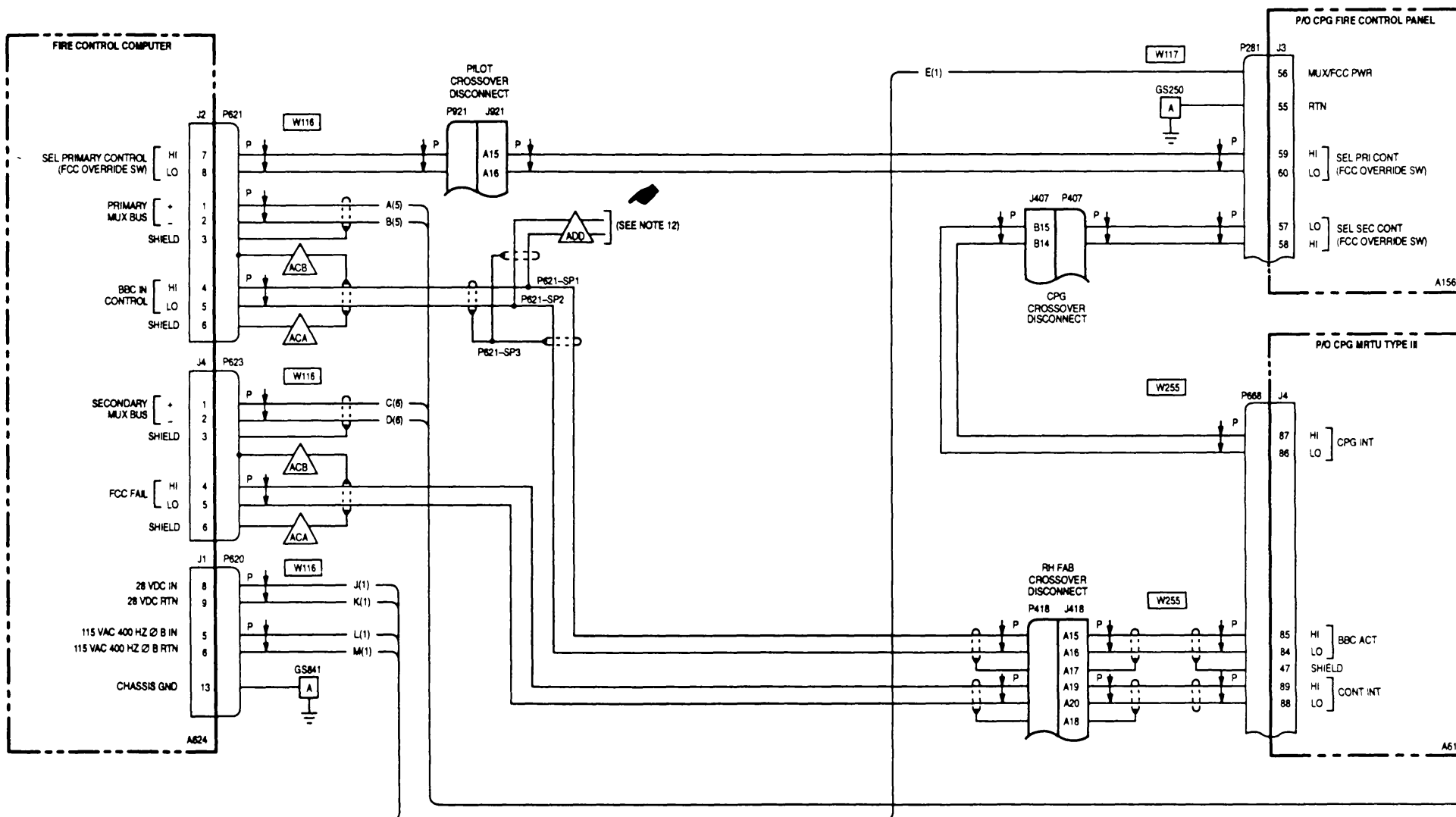
CHAPTER OVERVIEW

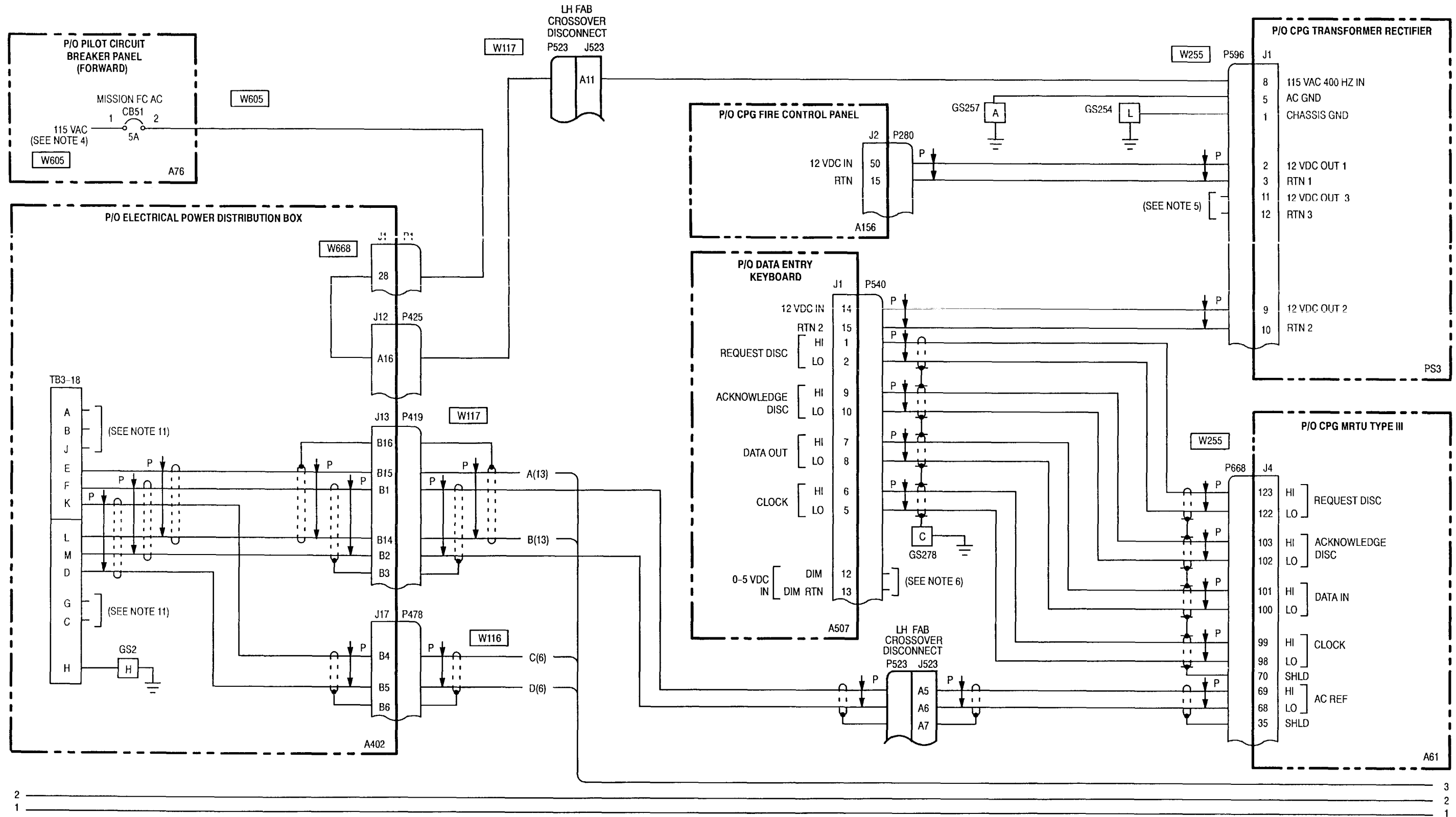
Chapter 19 contains the wiring diagram required for troubleshooting the multiplex system.

<u>Para Title</u>	<u>Para No.</u>
Multiplex - Wiring Diagram	19-1

19-1. MULTIPLEX - WIRING DIAGRAM



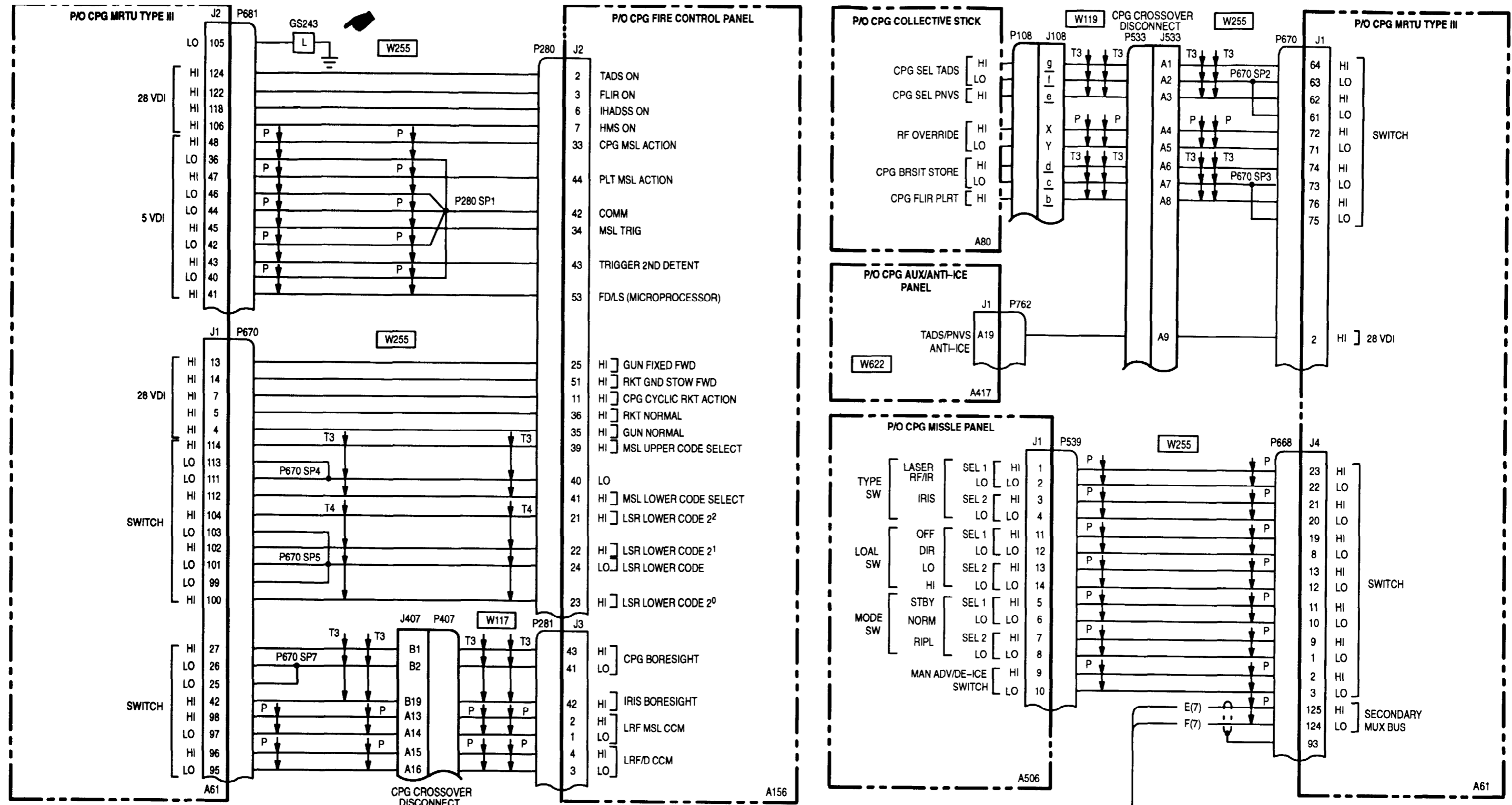




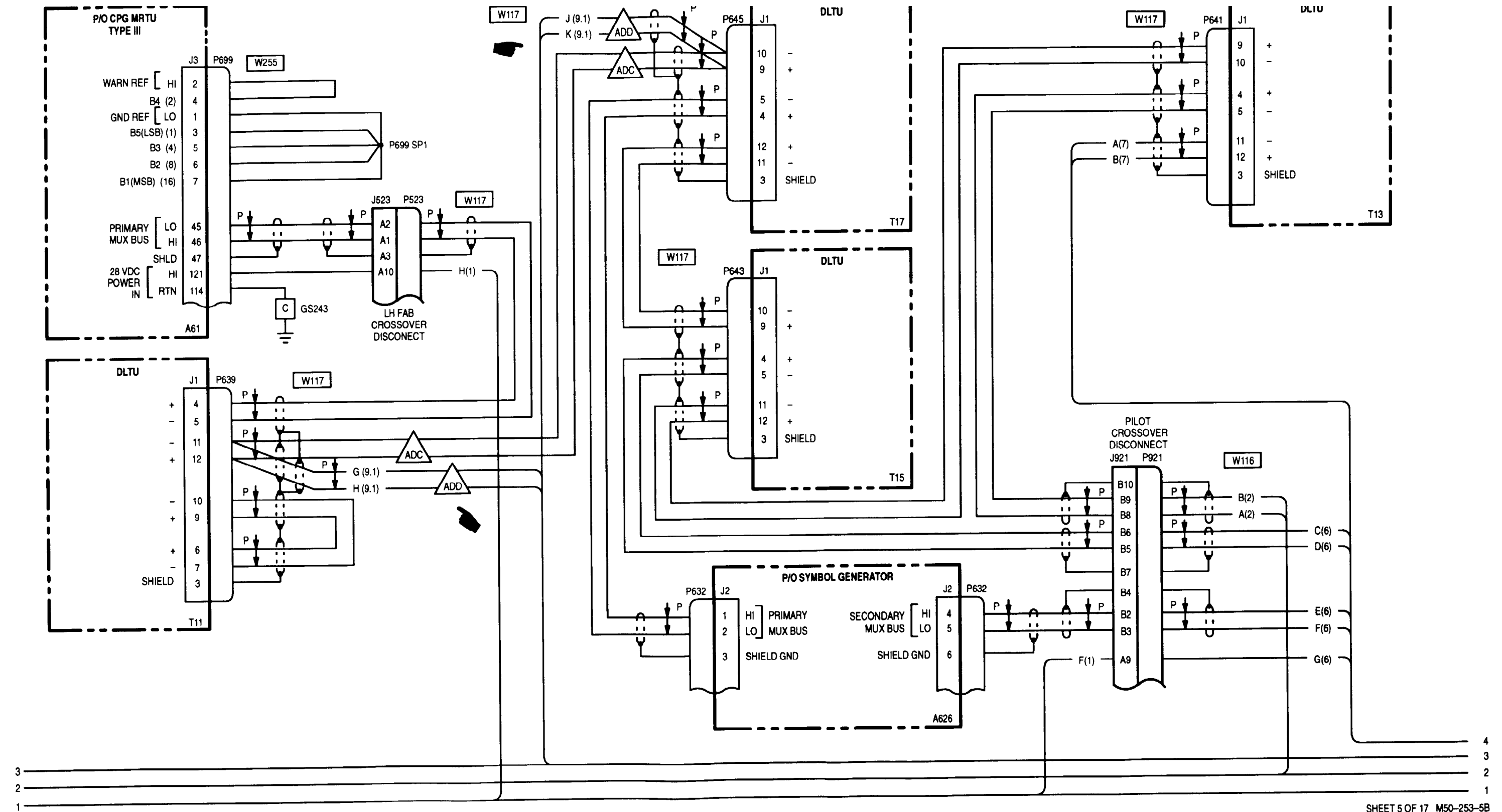
2
1

3
2
1

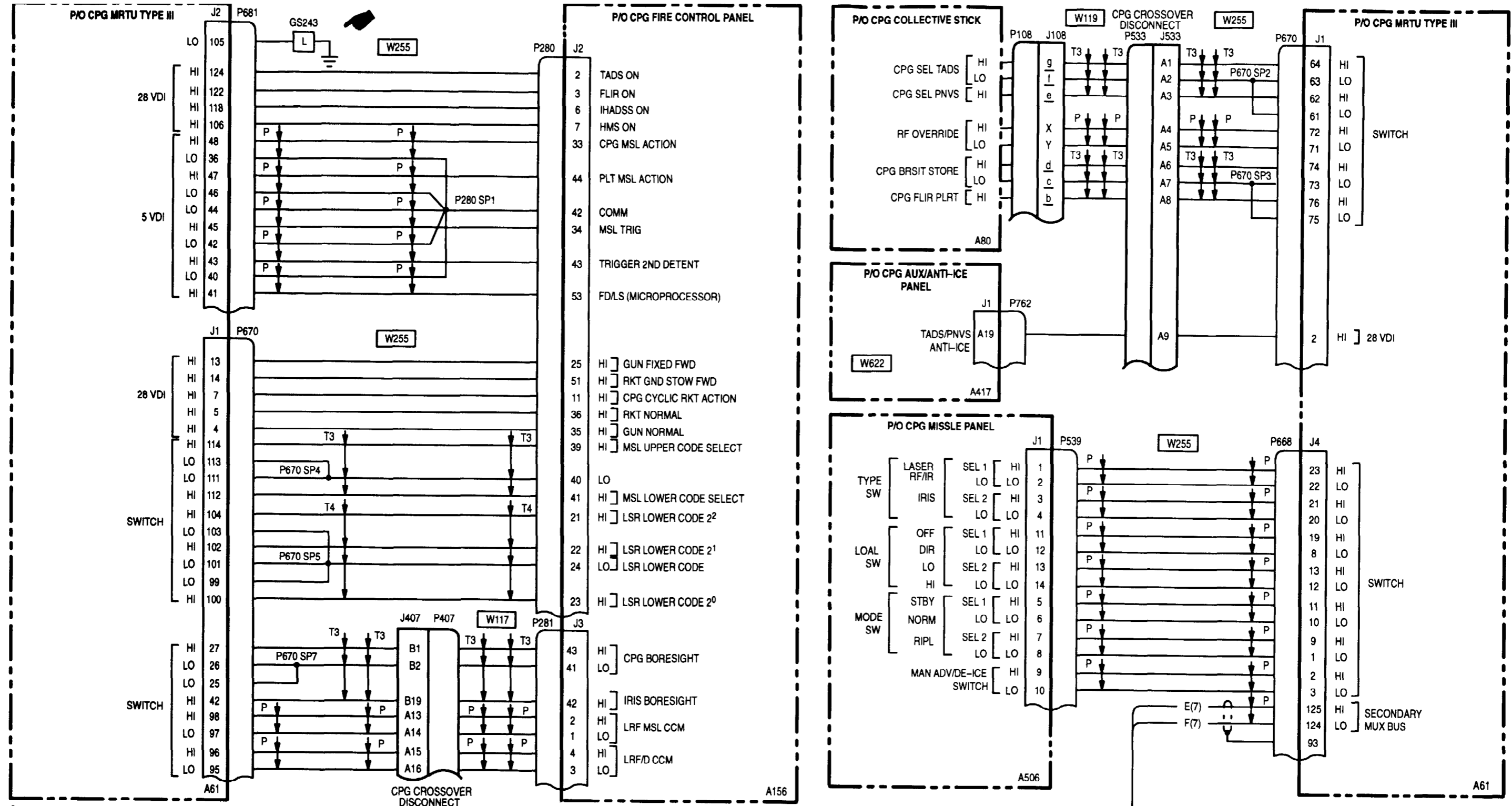
19-1. MULTIPLEX - WIRING DIAGRAM (cont)

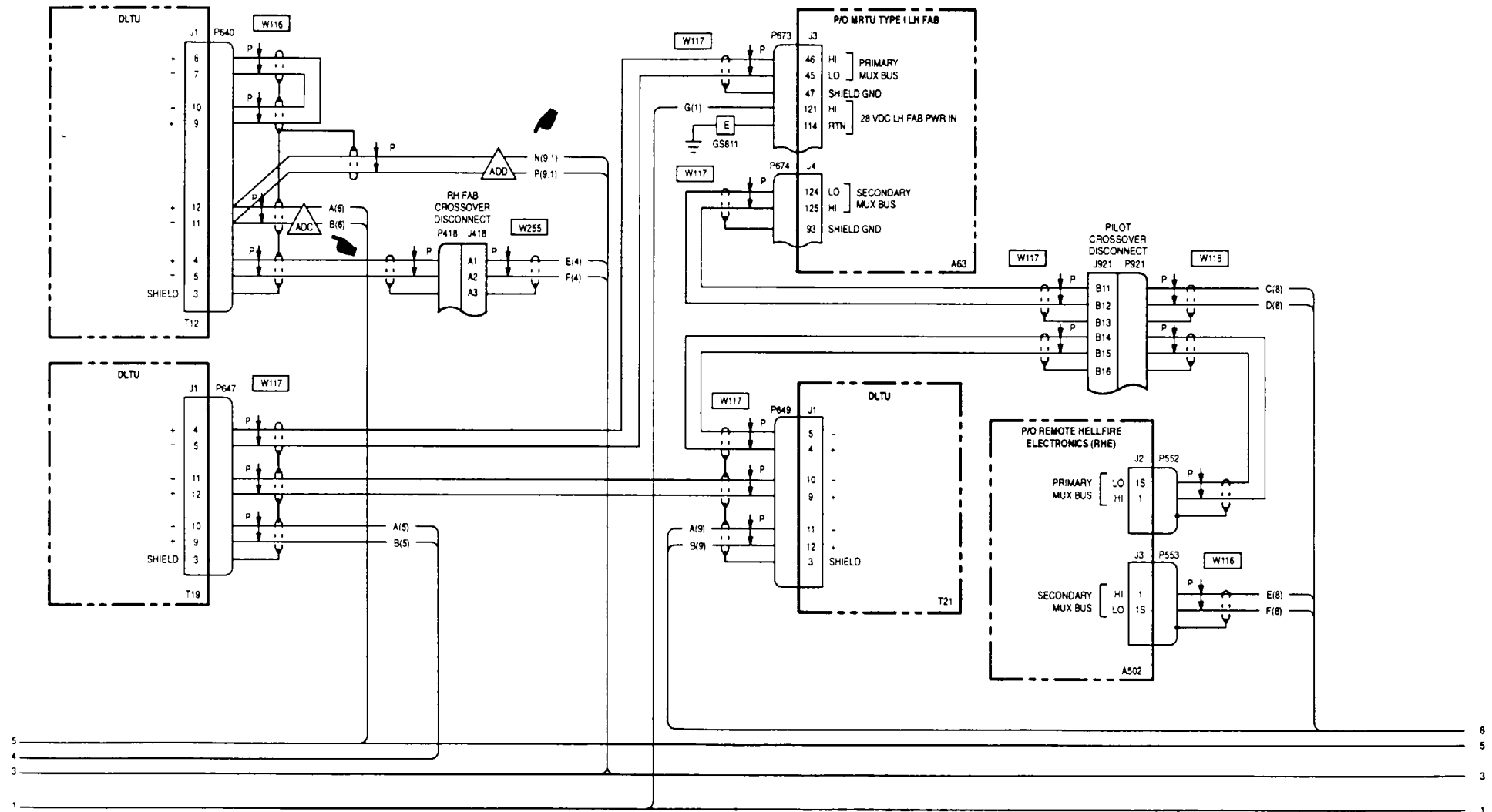


19-1. MULTIPLEX-WIRING DIAGRAM (cont)



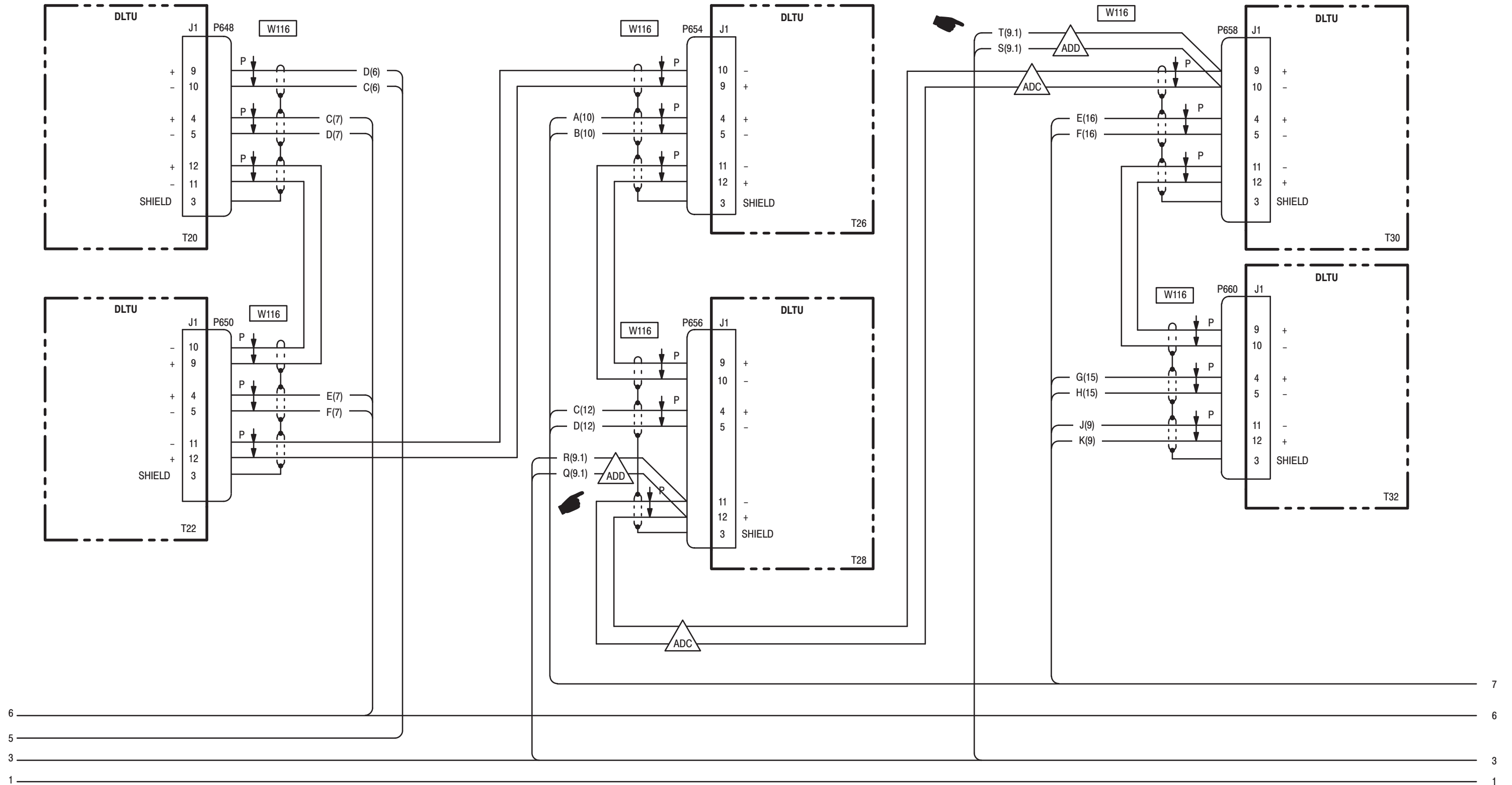
19-1. MULTIPLEX - WIRING DIAGRAM (cont)



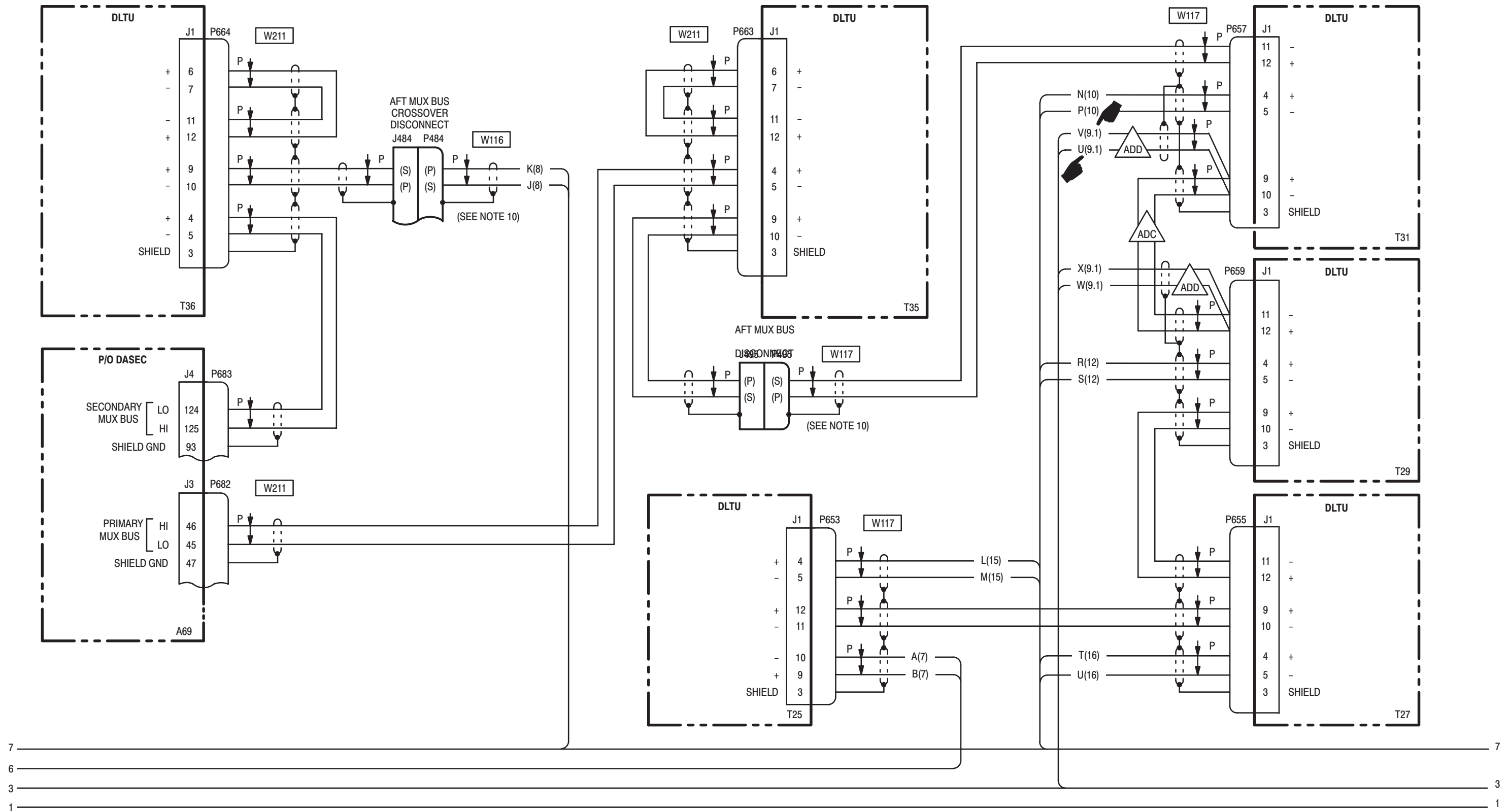


19-1. MULTIPLEX - WIRING DIAGRAM (cont)

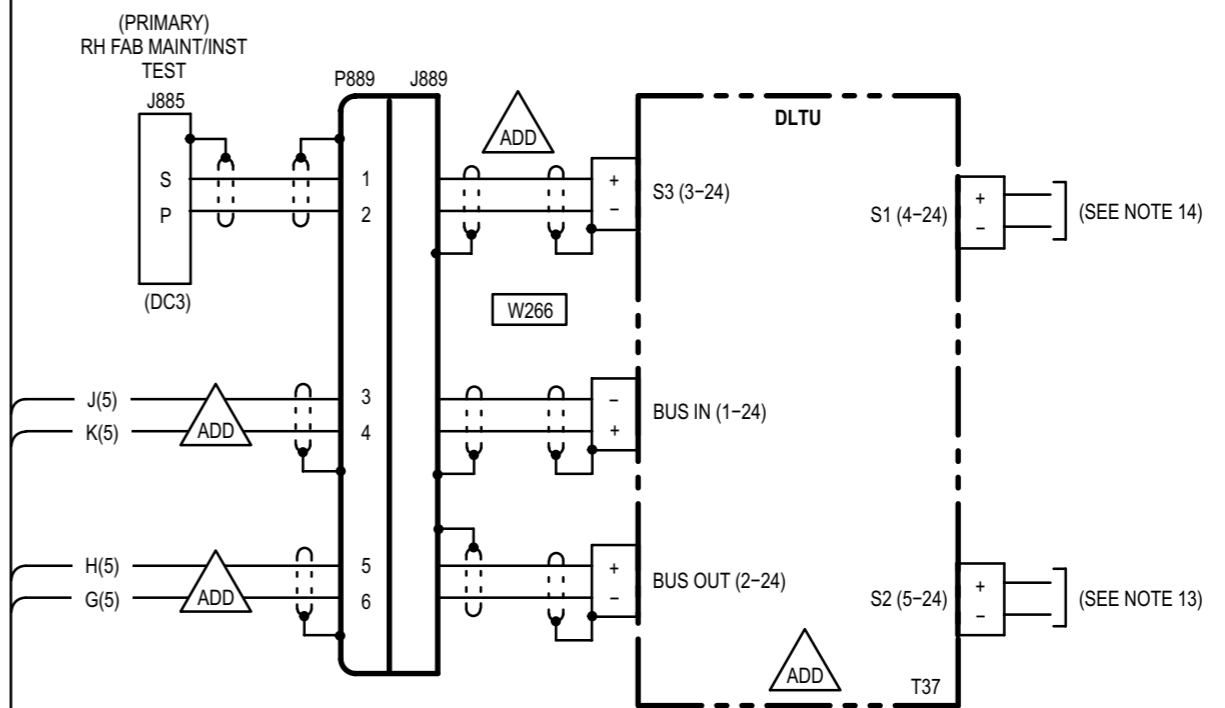
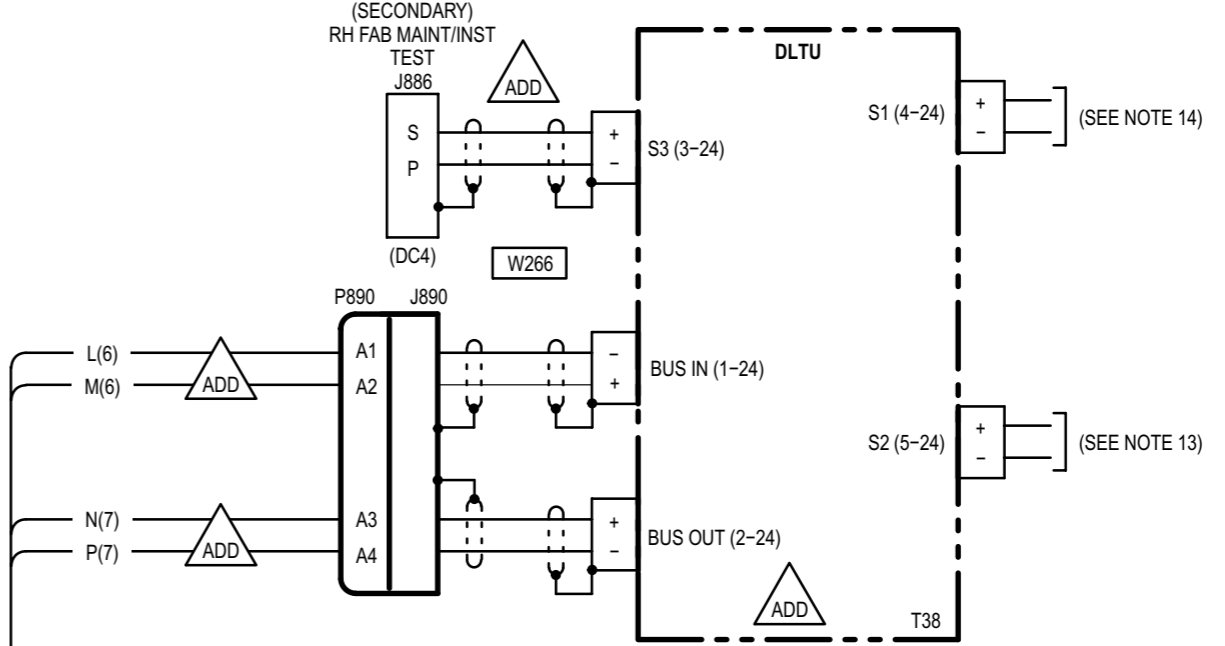
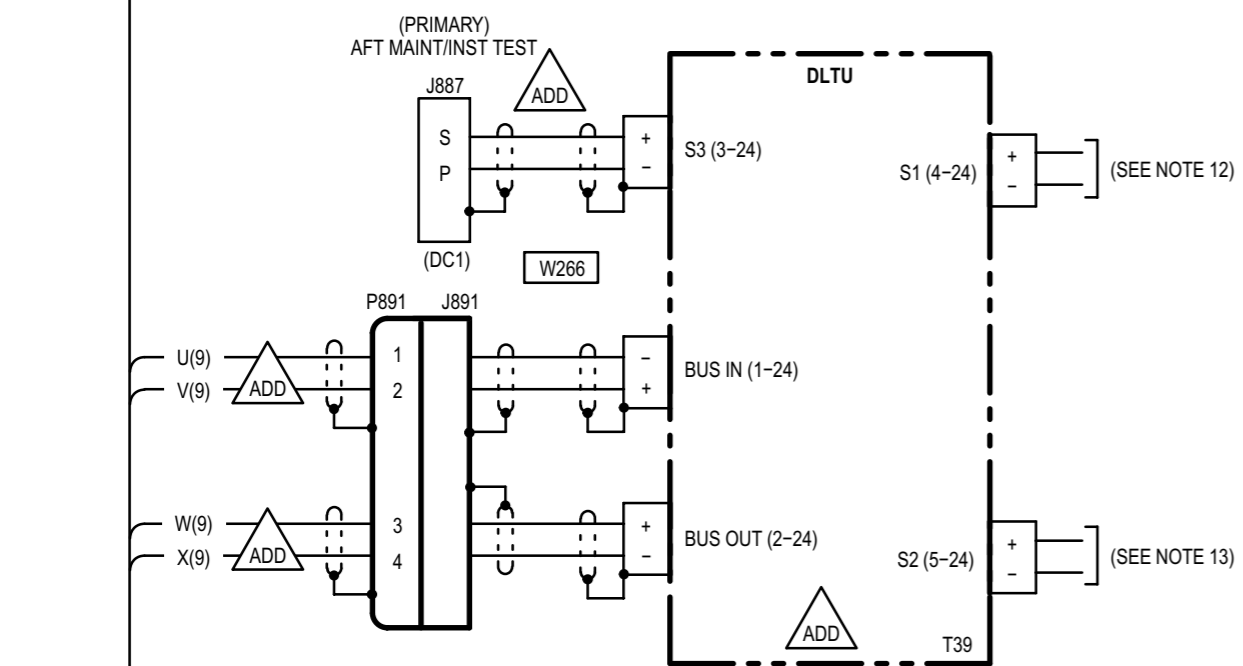
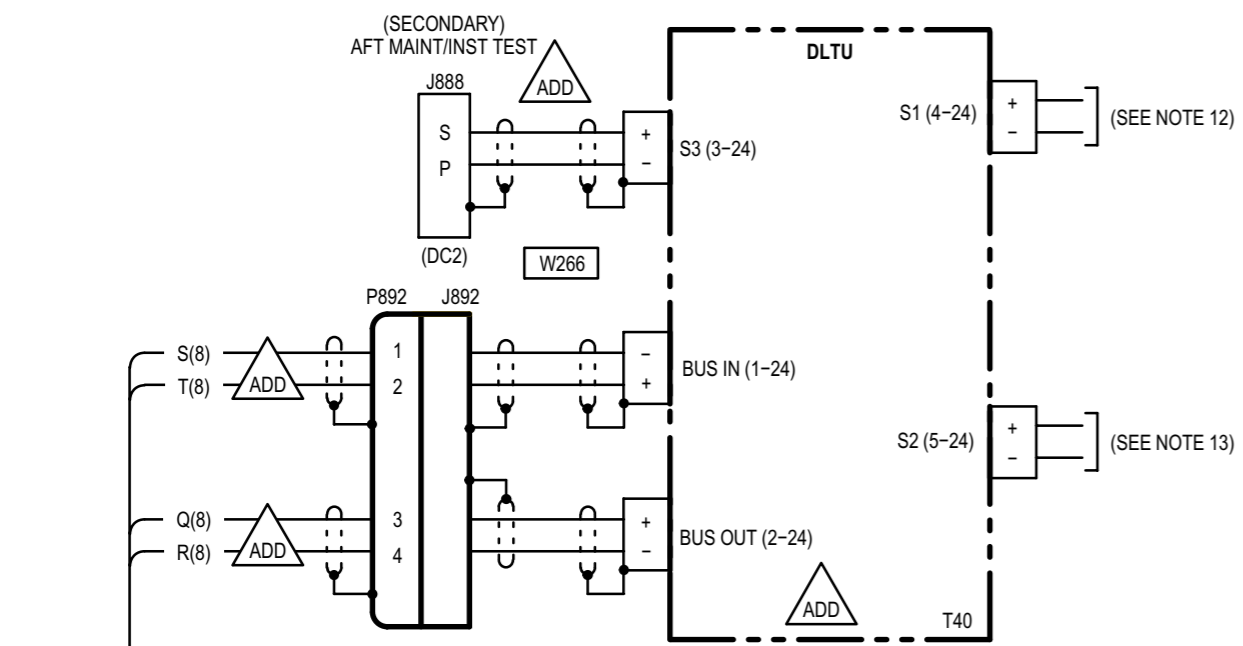
19-1



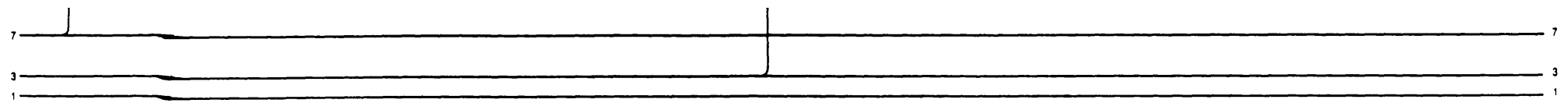
19-1. MULTIPLEX - WIRING DIAGRAM (cont)



19-1. MULTIPLEX - WIRING DIAGRAM (cont)

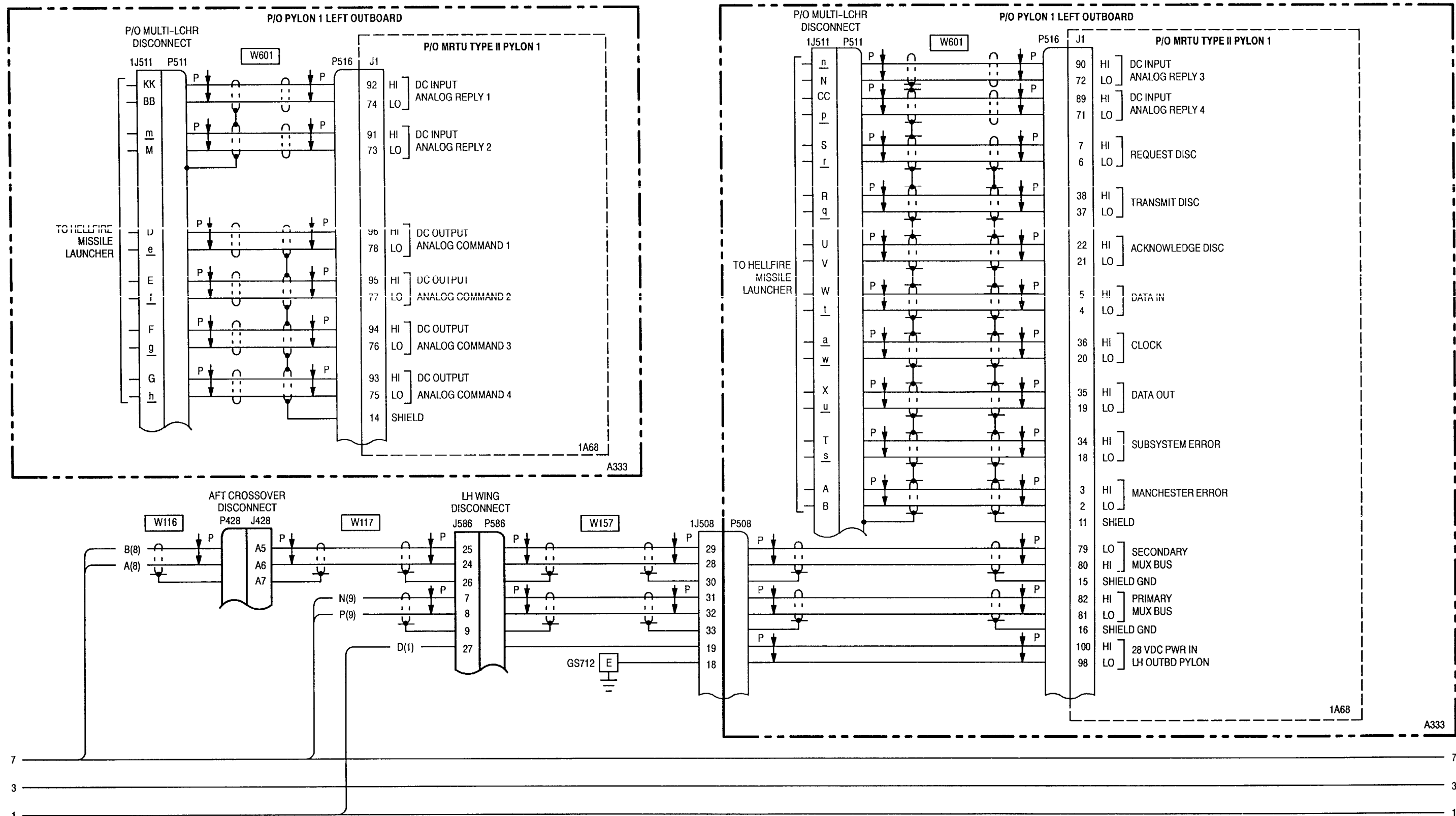


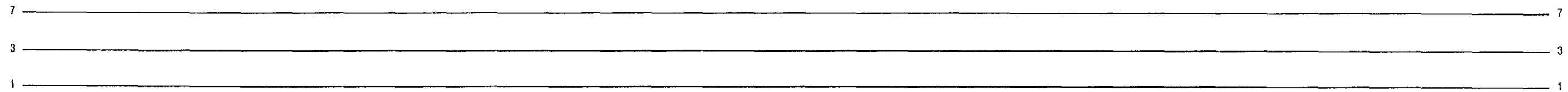
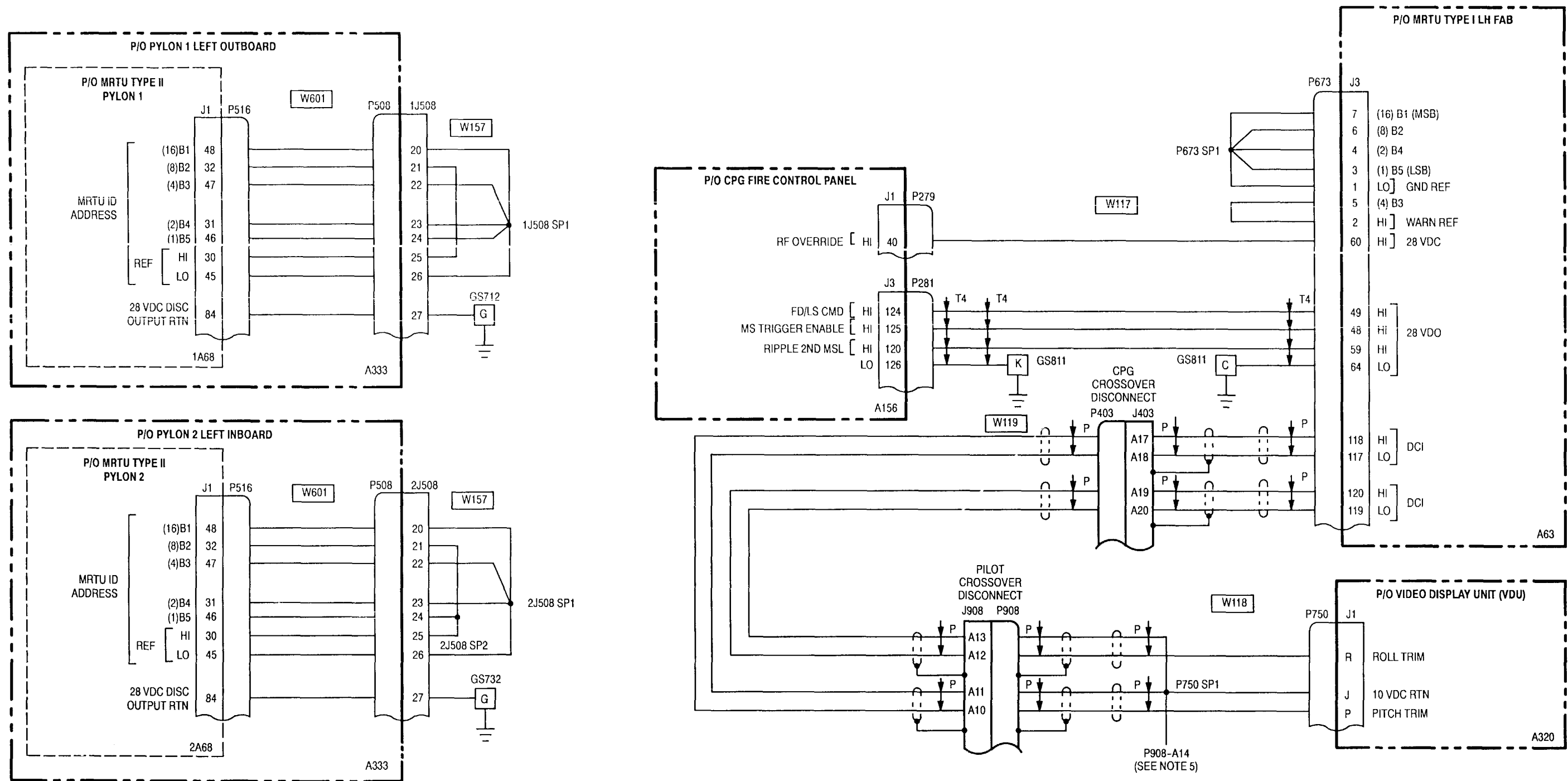
7
3
1

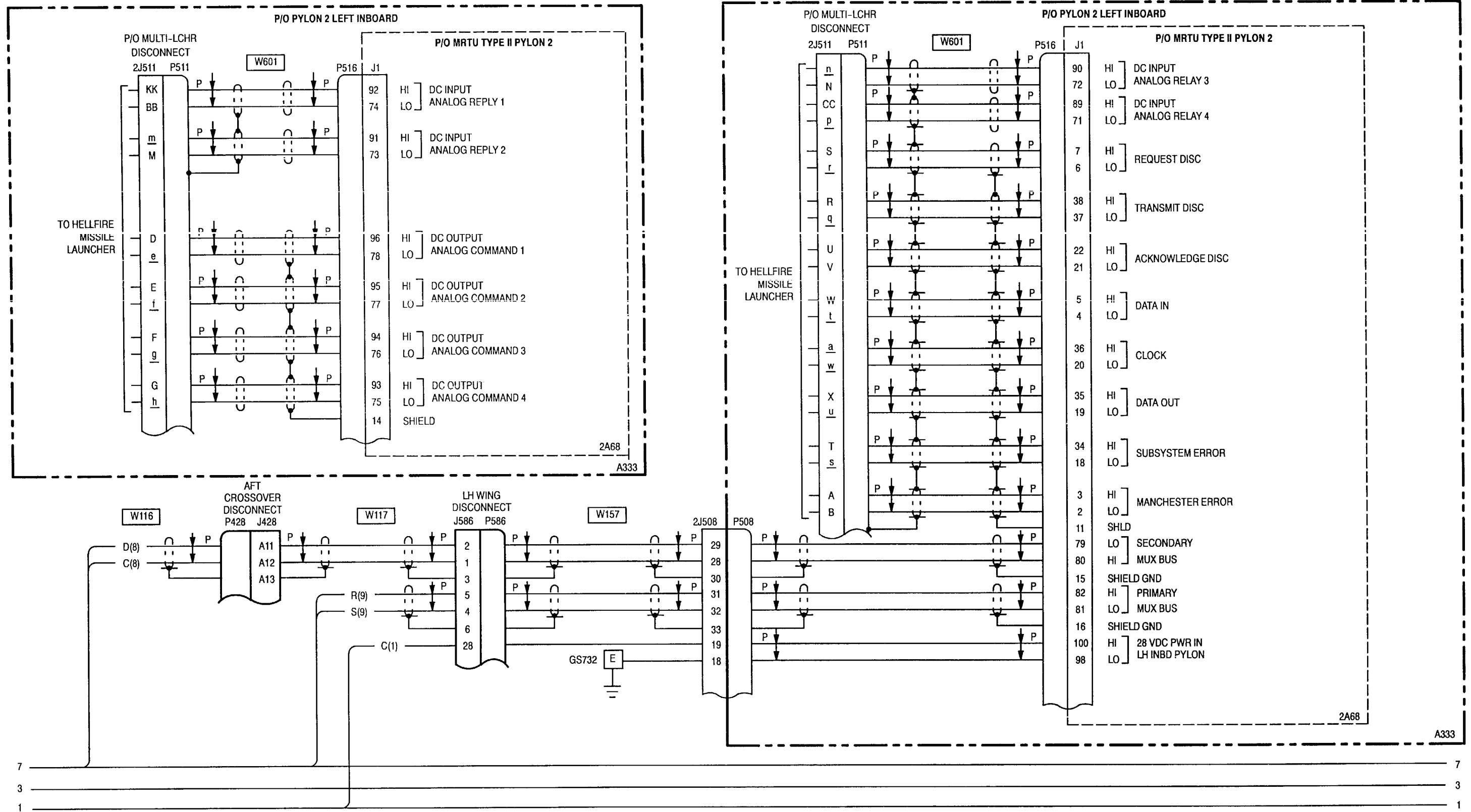


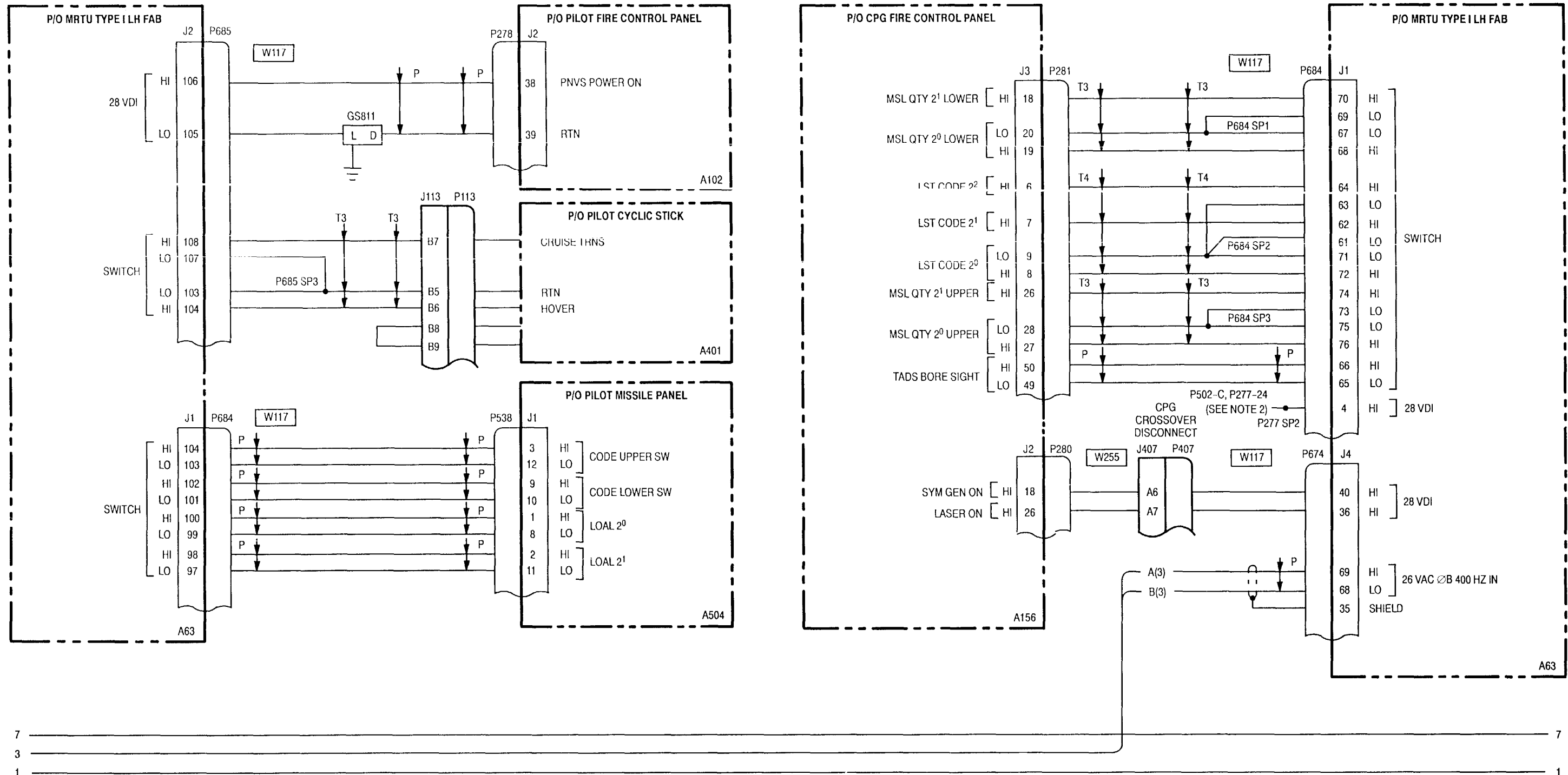
SHEET 9.1 OF 17 M50-253-18

19-10.2 Change 5



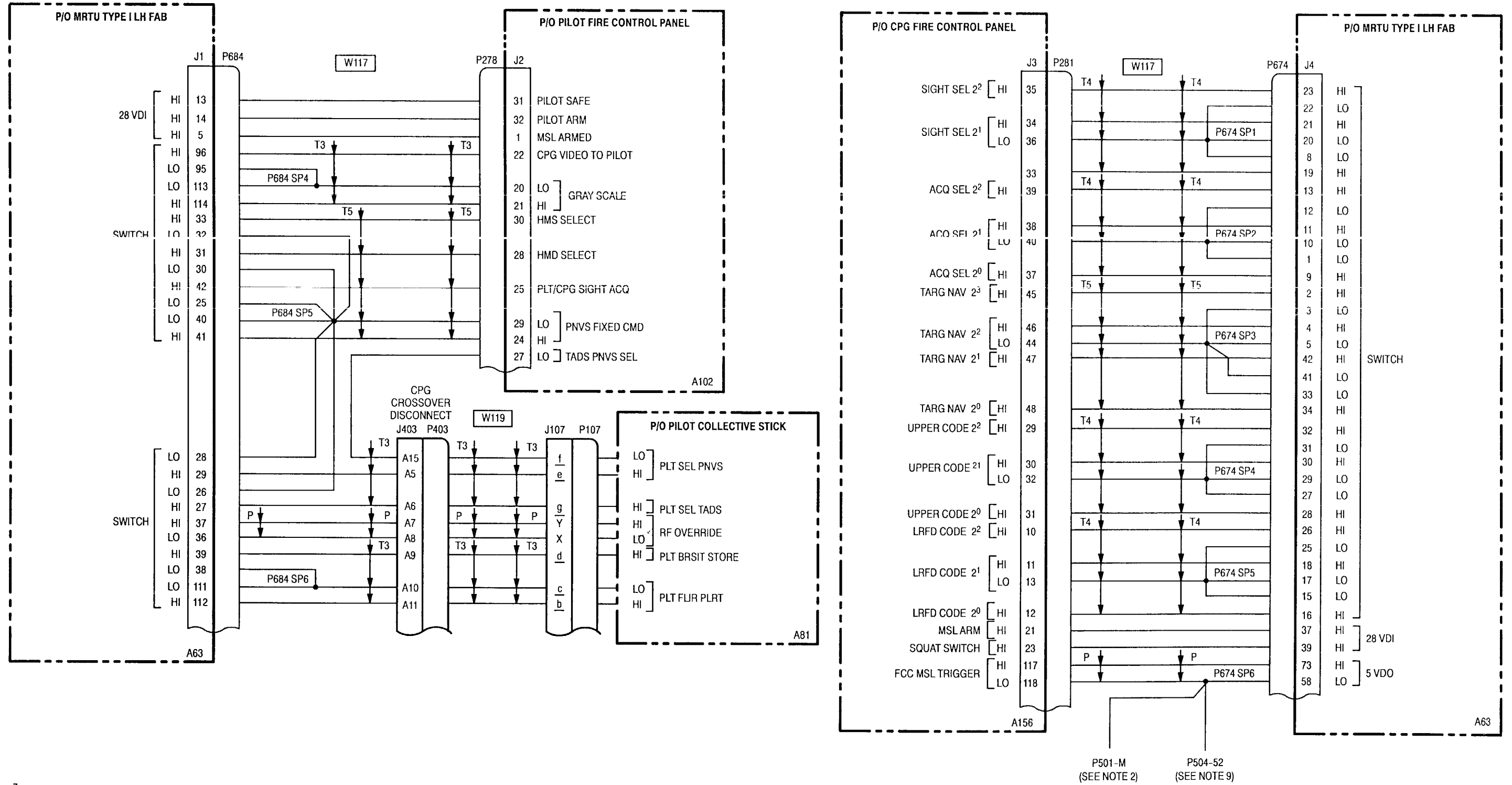




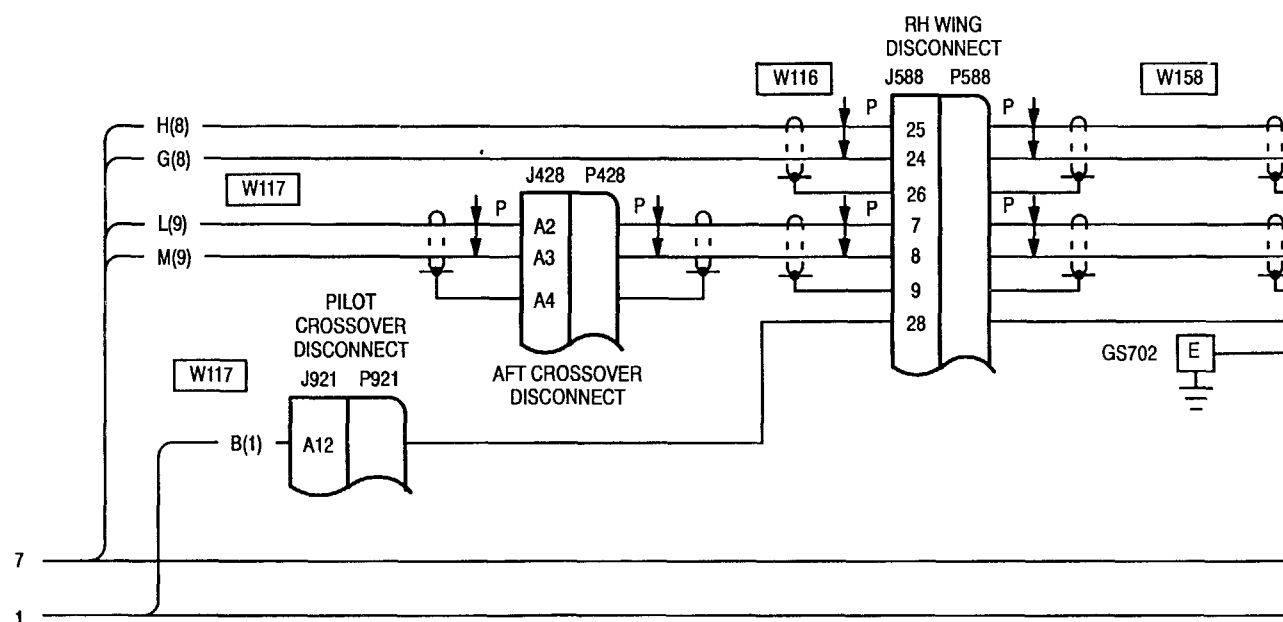
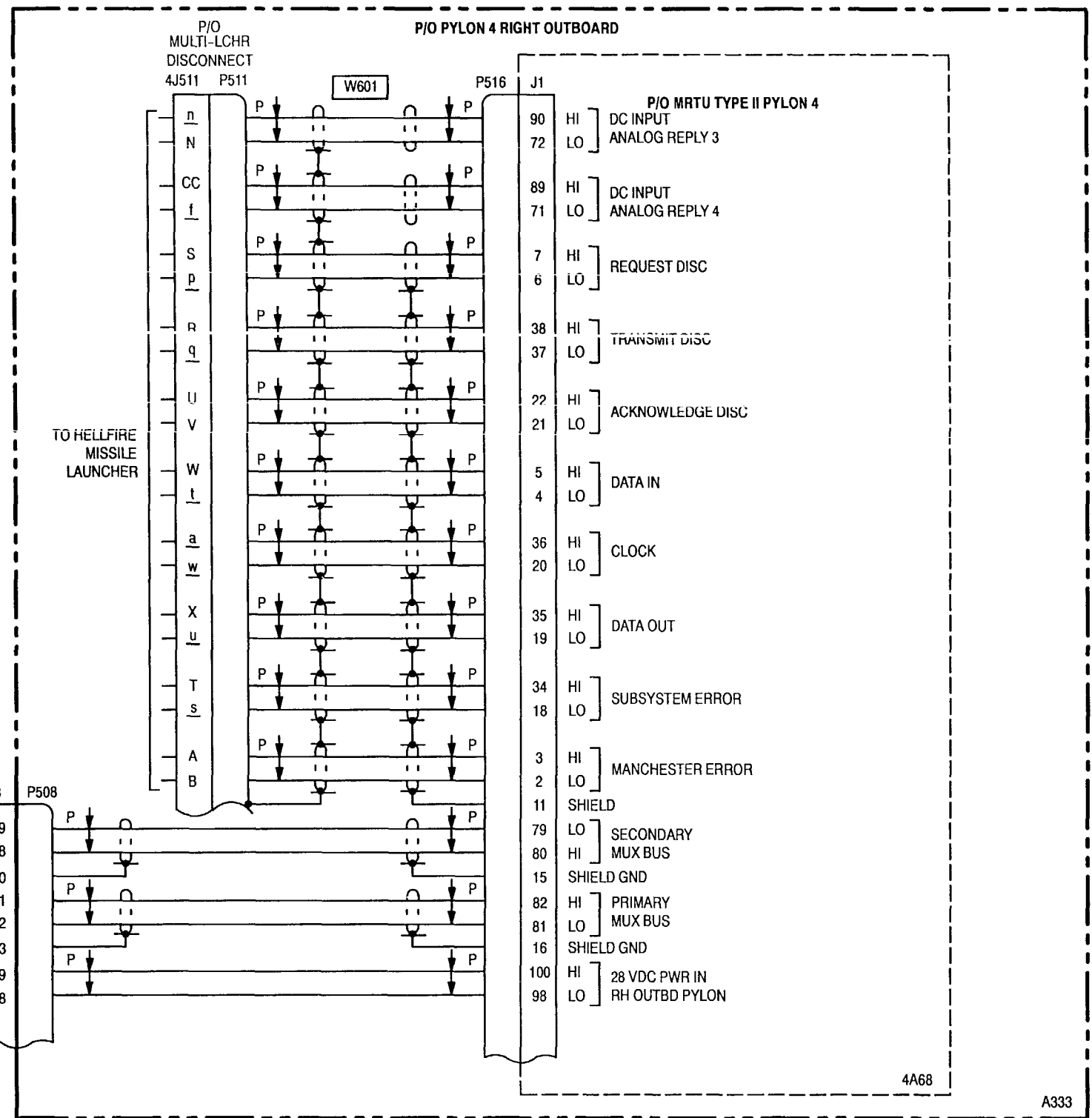
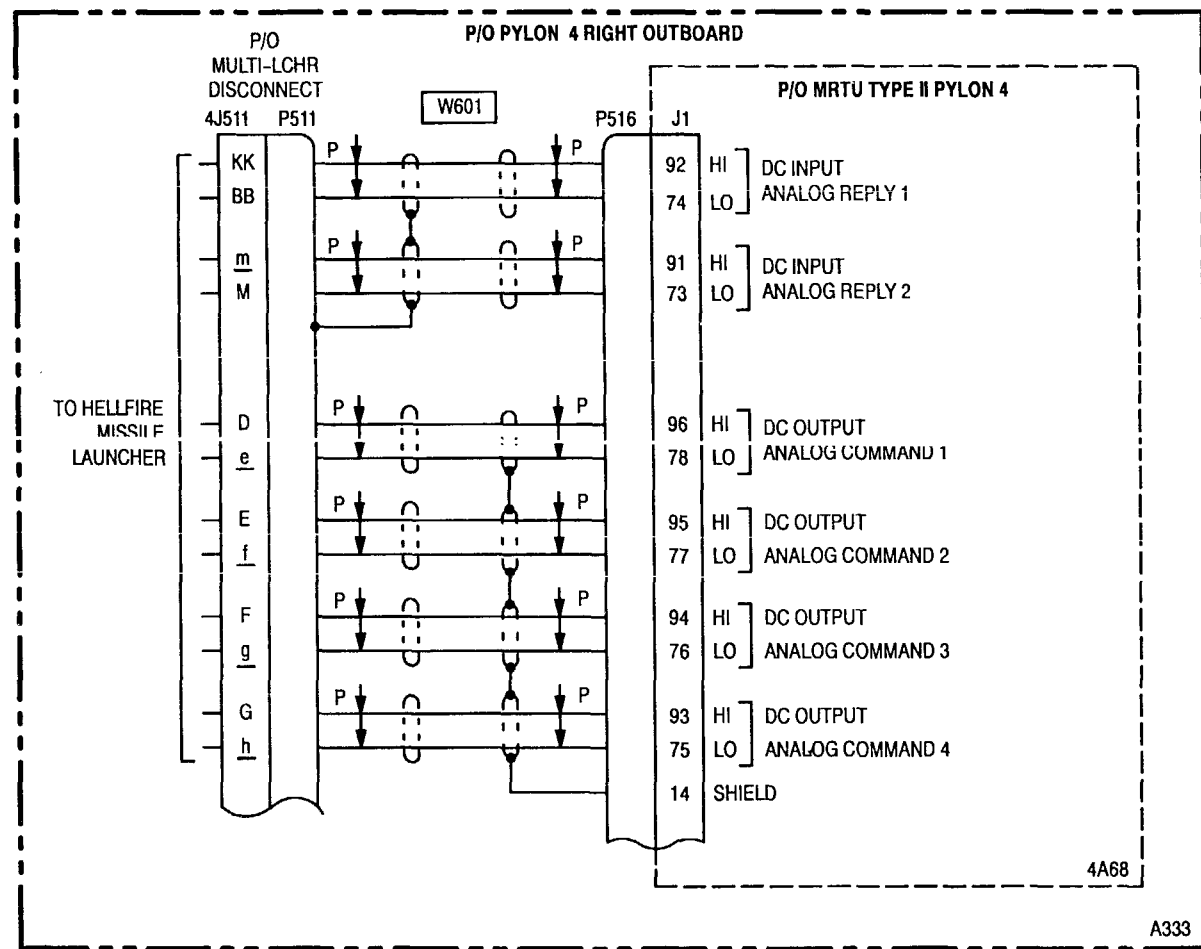


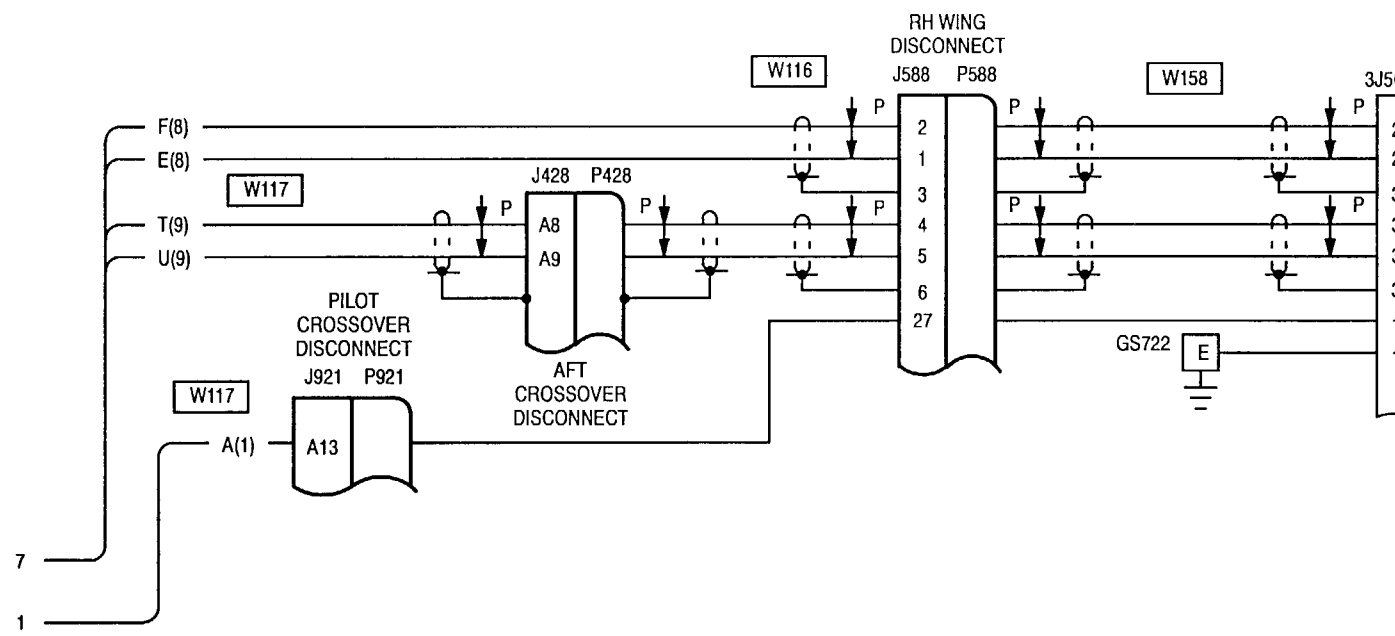
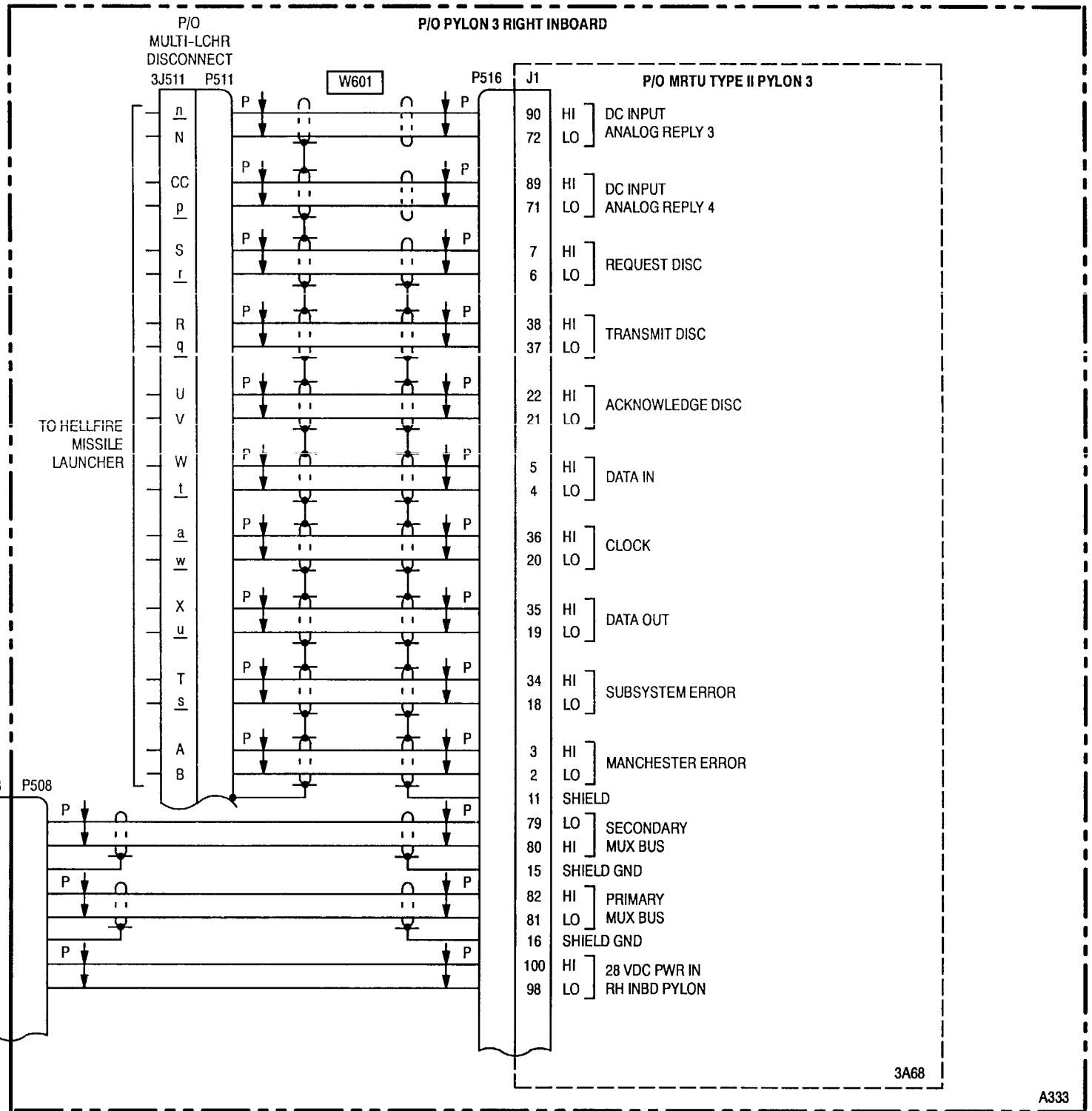
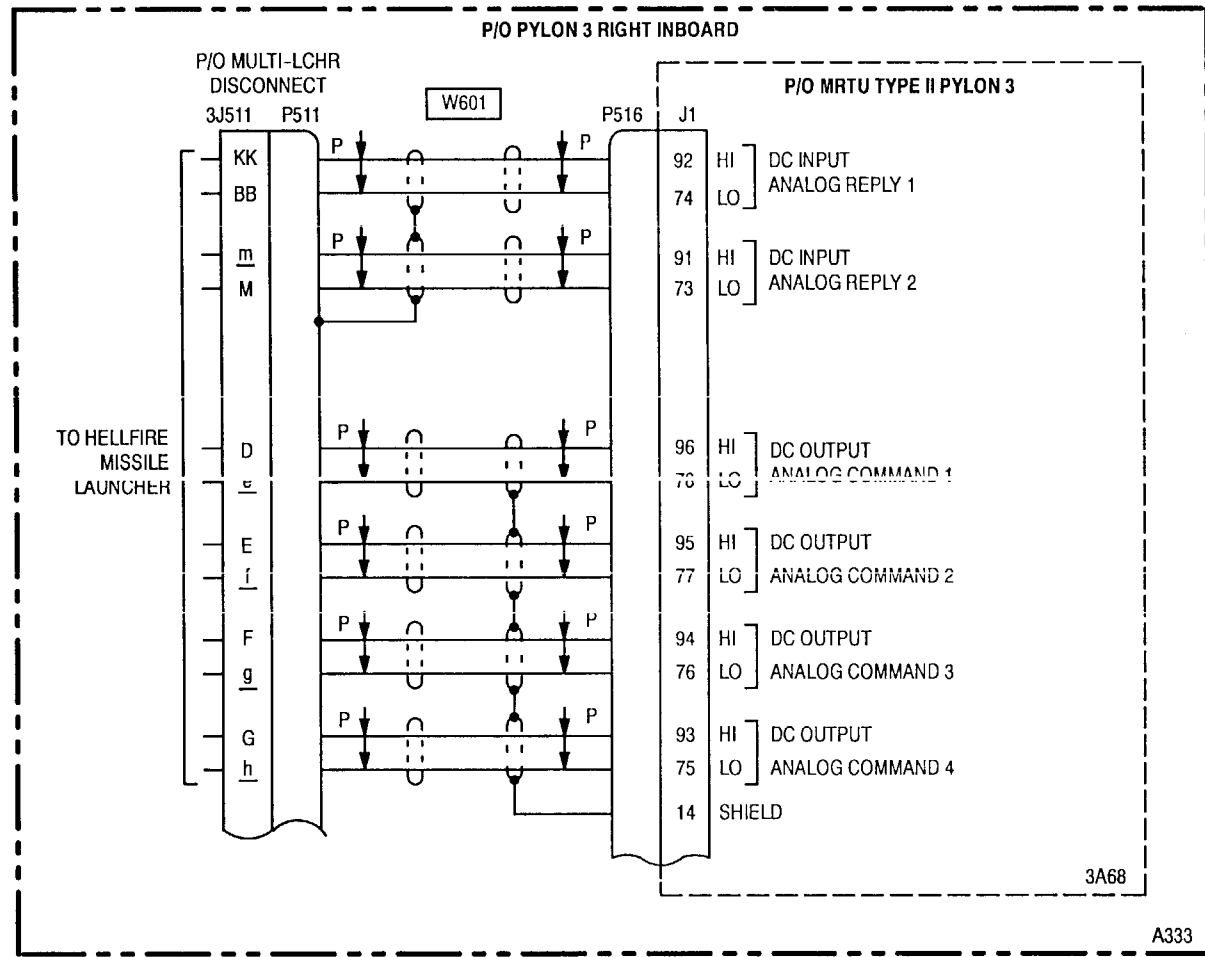
7
3
1

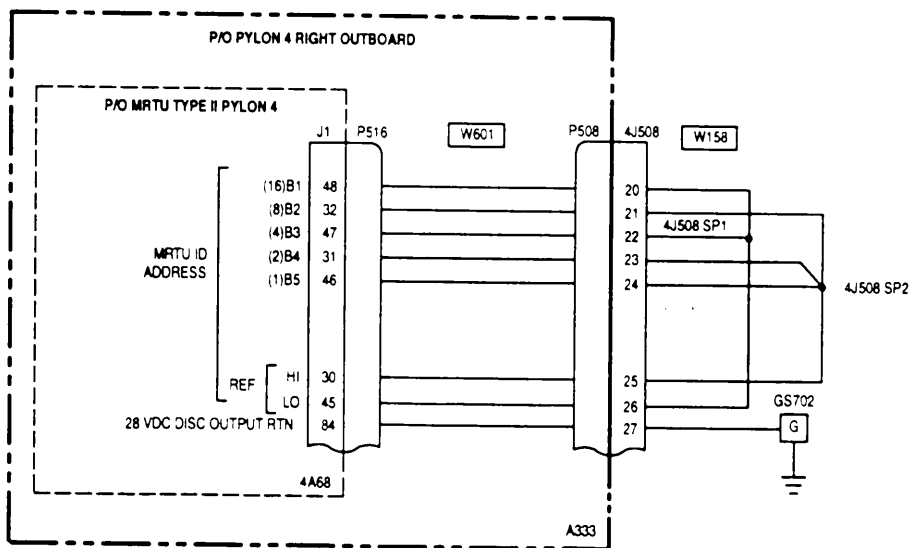
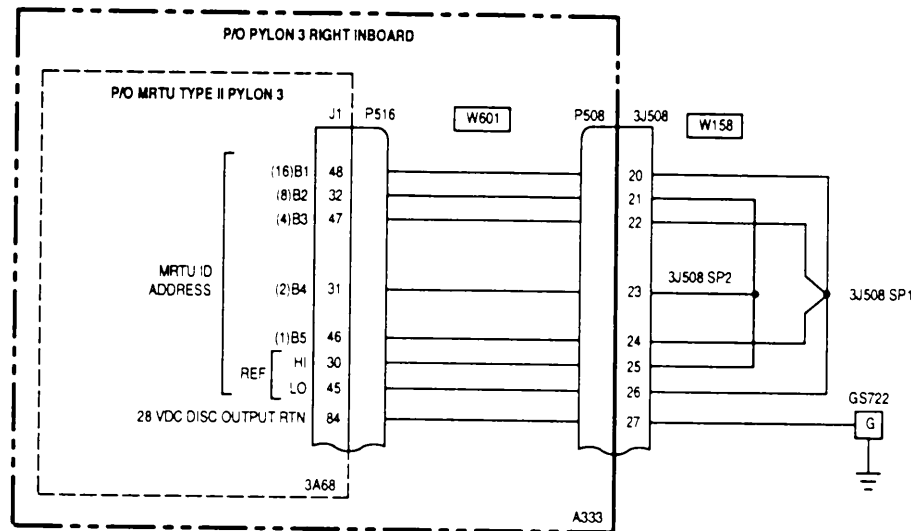
19-1. MULTIPLEX - WIRING DIAGRAM (cont)



7
1







NOTES:

1. REFER TO PARAGRAPH 9-13. CIRC...ENTIAL BUS 3 - CPG STATION) - WIRING DIAGRAM.
2. REFER TO PARAGRAPH 11-1. EXTERNAL STORES JETTISON - WIRING DIAGRAM.
3. REFER TO PARAGRAPH 9-6. CIRCUIT PROTECTION (AC ESSENTIAL...OT STATION)) - WIRING DIAGRAM.
4. REFER TO PARAGRAPH 9-5. CIRCUIT PROTECTION (AC ESSENTIAL...OT STATION) - WIRING DIAGRAM.
5. REFER TO PARAGRAPH 26-2. VIDEO DISPLAY UNIT (VDU) AND VIDEO RECORDER - WIRING DIAGRAM.
6. REFER TO PARAGRAPH 9-18. EDGE LIGHTS - WIRING DIAGRAM.
7. REFER TO PARAGRAPH 11-2. EXTERNAL STORES JETTISON - WIRING DIAGRAM.
8. REFER TO PARAGRAPH 9-1. AC ELECTRICAL POWER GENERATION - WIRING DIAGRAM.
9. REFER TO PARAGRAPH 3-1. AERIAL ROCKET CONTROL SYSTEM (ARCS) - WIRING DIAGRAM.
10. (S) EQUALS SOCKET.
(P) EQUALS PIN.
11. REFER TO PARAGRAPH 20-1. AUTOMATIC DIRECTION FINDER (ADF) AN/ARN-89 - WIRING DIAGRAM.
12. REFER TO PARAGRAPH 20-8. G (ADD) - WIRING DIAGRAM.
13. REFER TO PARAGRAPH 20-3. DOPPLER NAVIGATION AN/ASN-137 (ADD) - WIRING DIAGRAM.
14. REFER TO PARAGRAPH 20-7. DATA TRANSFER UNIT (ADD) - WIRING DIAGRAM.

CHAPTER- 20 NAVIGATION SYSTEM WIRING DIAGRAM

CHAPTER OVERVIEW

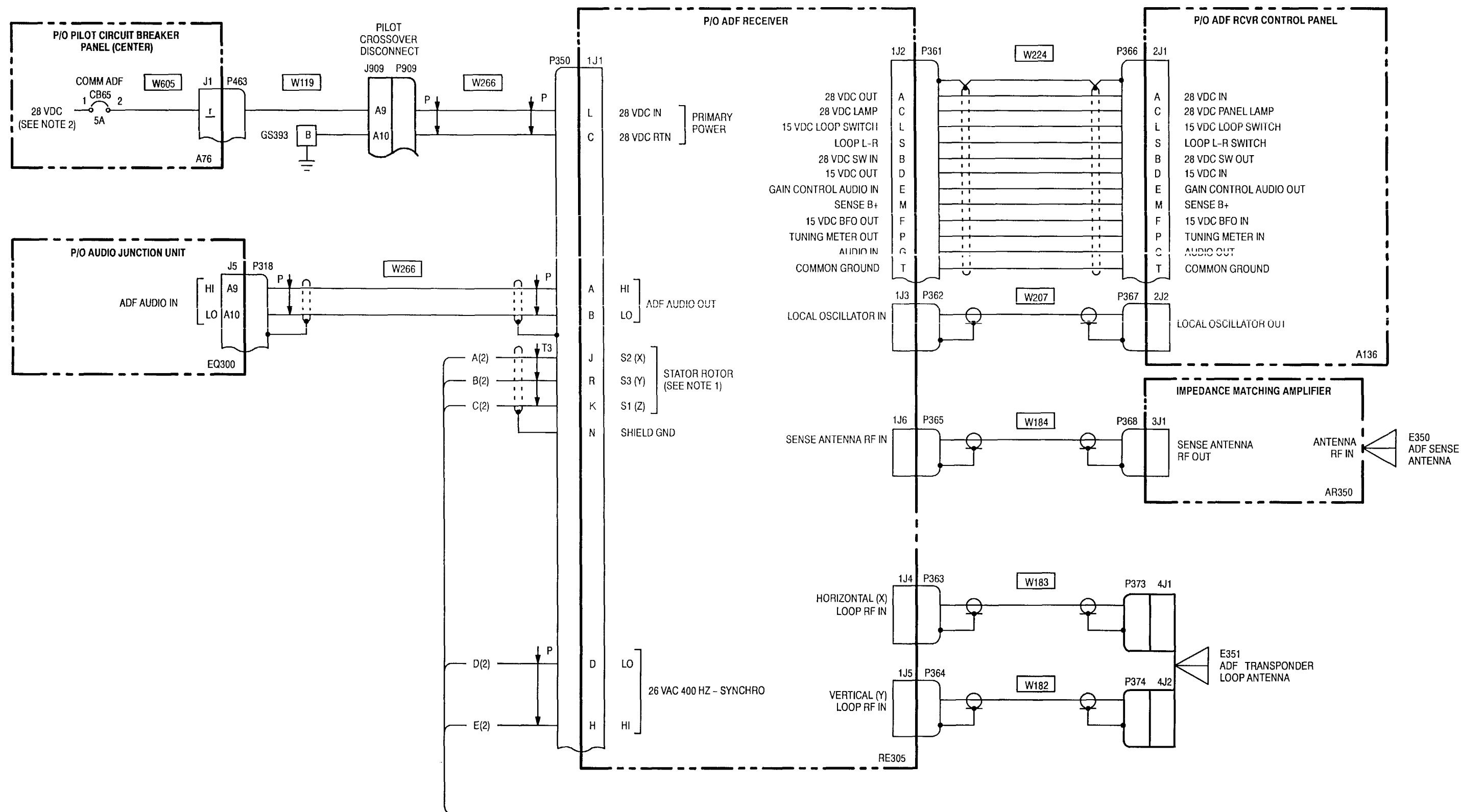
Chapter 20 contains the wiring diagram required for troubleshooting the

<u>Paragraph</u>	<u>Para No.</u>
Automatic Detection Finder (ADF) AN/ARN-89 - wiring Diagram	20-1
Doppler Navigation AN/ASN-128 - Wiring Diagram (Serial No. 82-23355 thru 84-24269).....	20-2
Doppler Navigation AN/ASN-137 (ADC) - Wiring Diagram (Serial No. 84-24270 and Subsequent).....	20-3
Doppler Navigation A.N/ASN-137 (ADD) - Wiring Diagram	20-3A
Heading and Attitude Reference Set (HARS) - Wiring Diagram	20-4
Radar Altimeter (RADALT) Set - Wiring Diagram	20-5
Automatic Direction Finder (ADF) AN/ARN-149 - Wiring Diagram	20-6
Data Transfer Unit (ADD) - Wiring Diagram	20-7
EGI (ADD) - Wiring Diagram	2-8

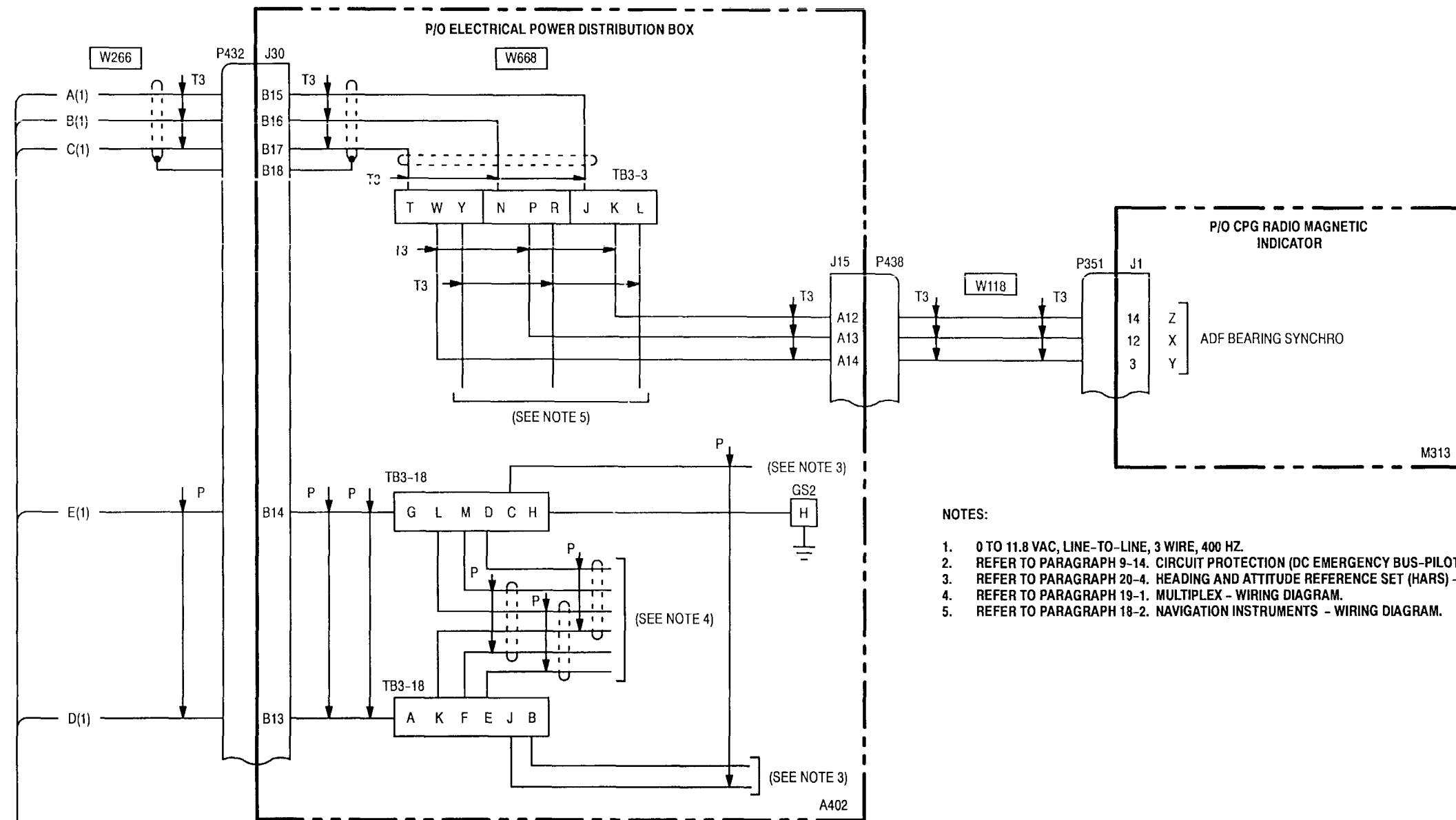


Change 5 20-1

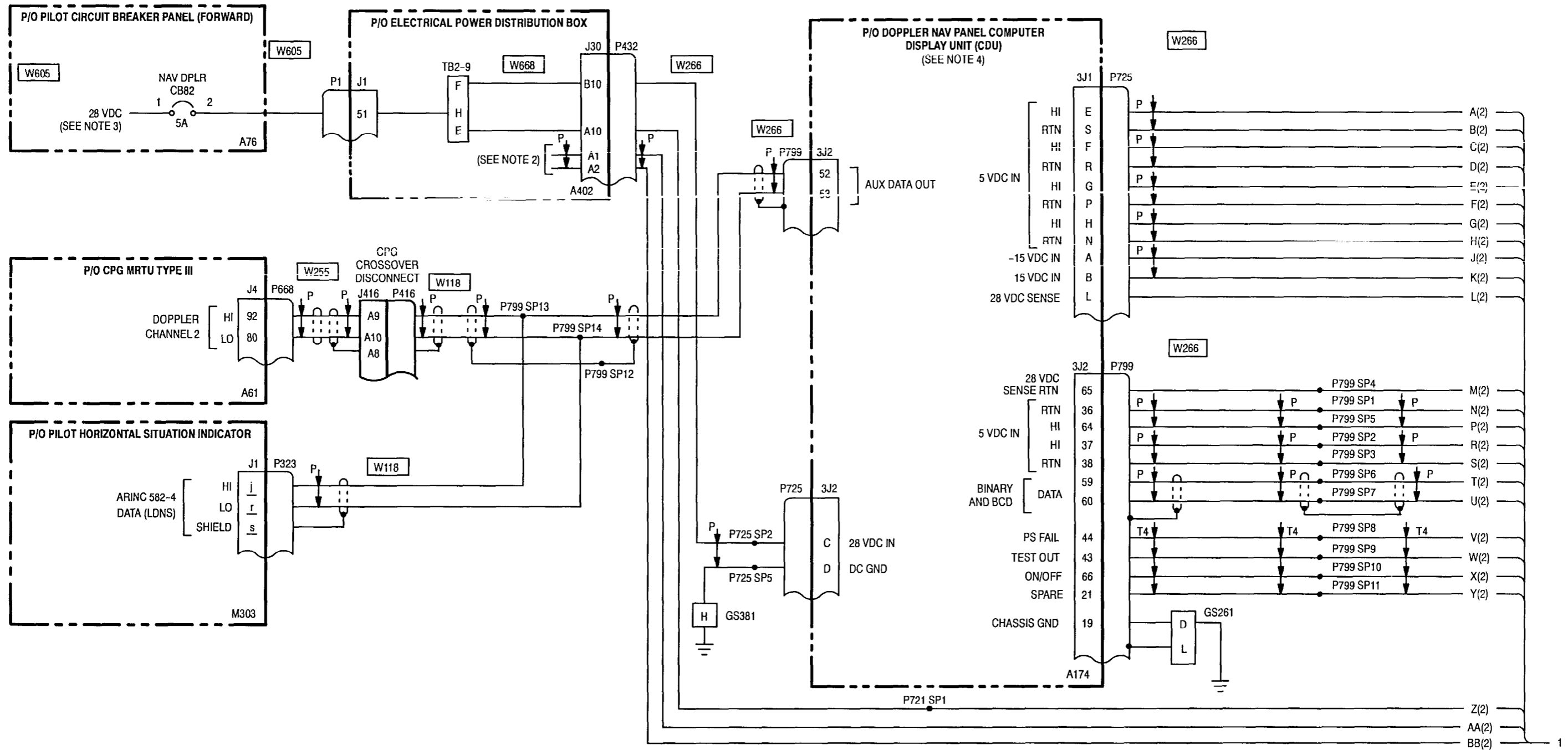
20-1. AUTOMATIC DIRECTION FINDER (ADF) AN/ARN-89 - WIRING DIAGRAM



20-1. AUTOMATIC DIRECTION FINDER (ADF) AN/ARN-89 - WIRING DIAGRAM (cont)

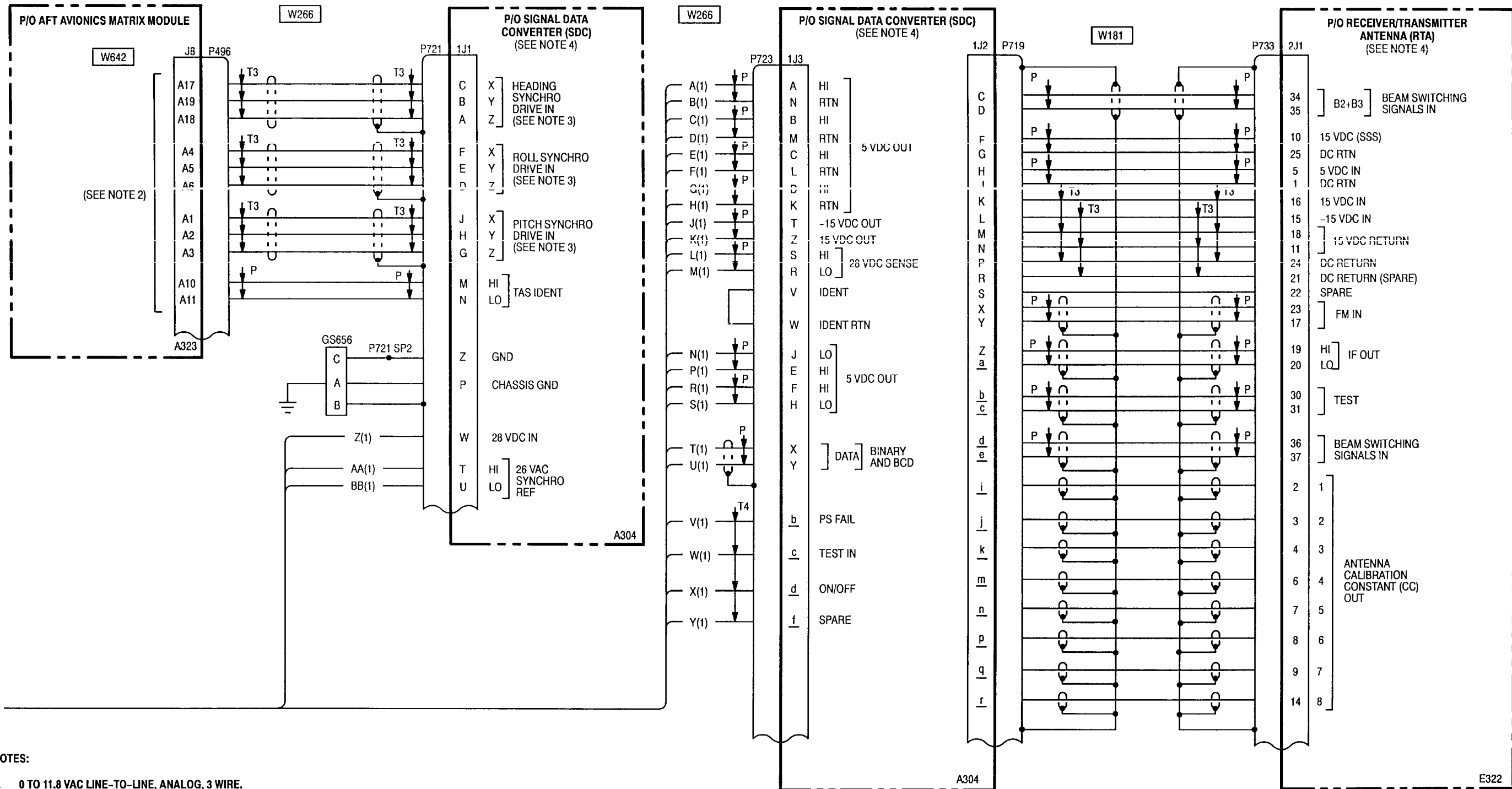


20-2. DOPPLER NAVIGATION AN/ASN-128 - WIRING DIAGRAM
(SERIAL NO. 82-23355 THRU 84-24269)

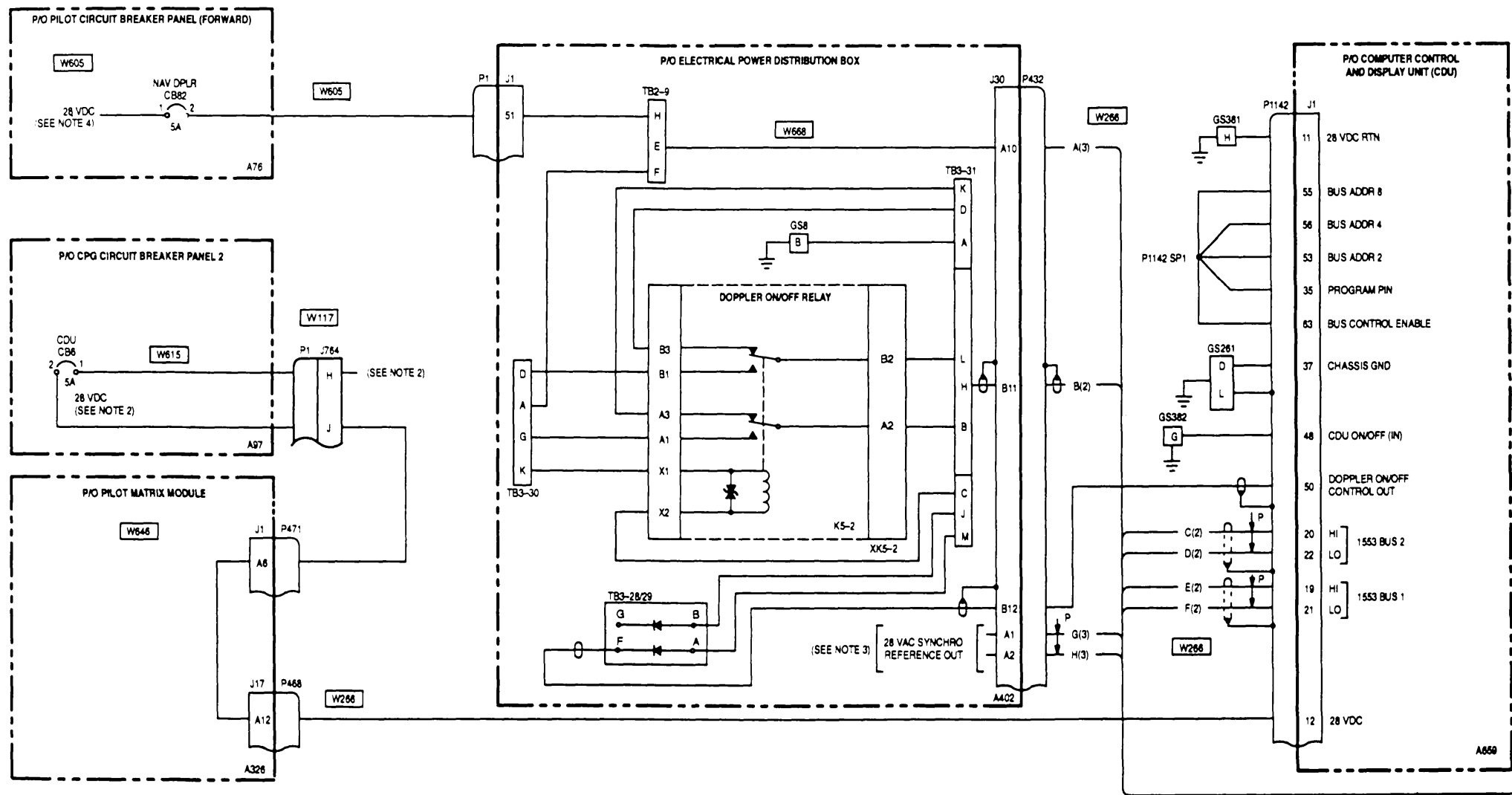


20-2. DOPPLER NAVIGATION AN/ASN-128 - WIRING DIAGRAM
(SERIAL NO. 82-23355 THRU 84-24269) (cont)

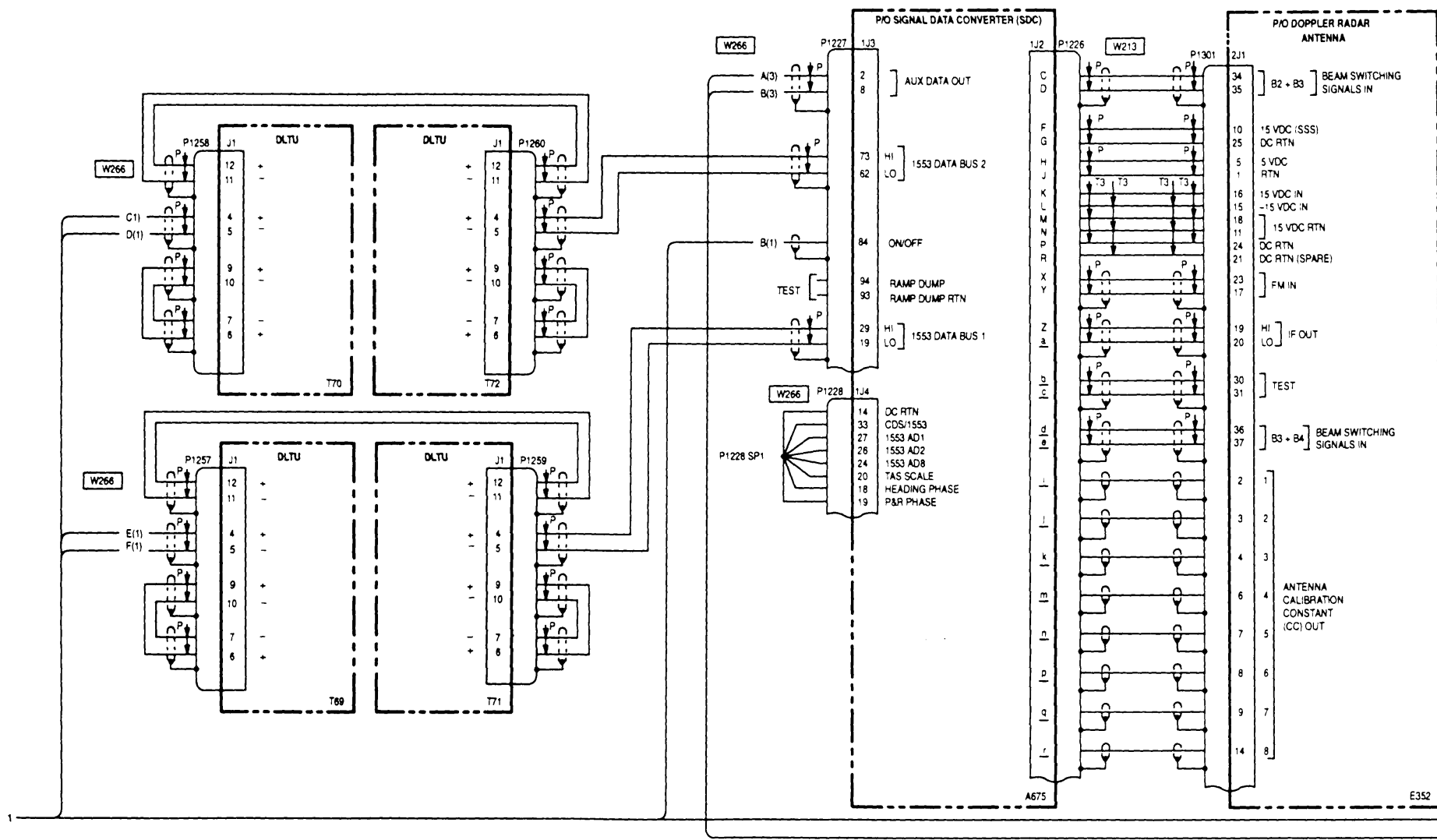
20-2

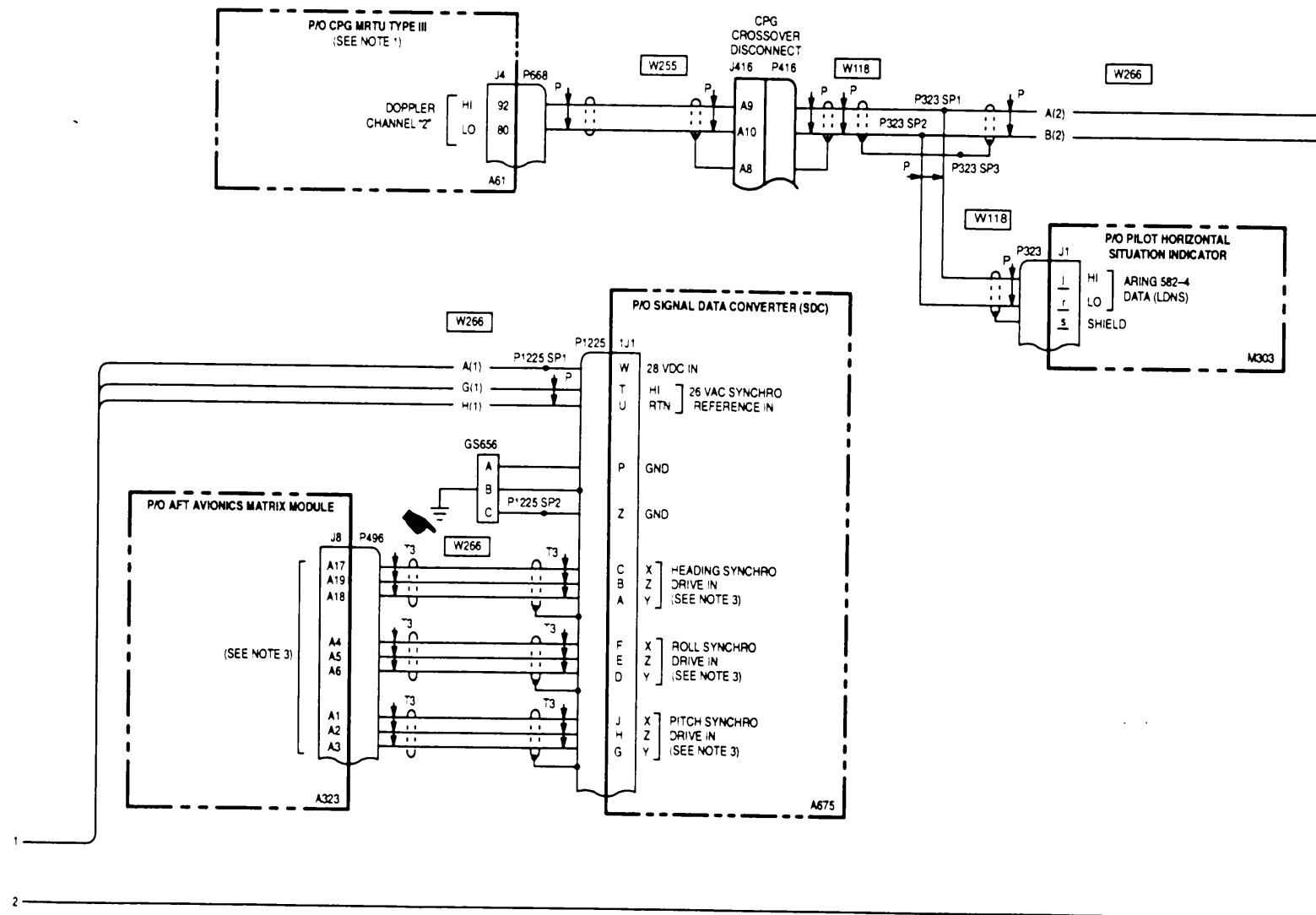


- NOTES:
- 0 TO 11.8 VAC LINE-TO-LINE, ANALOG, 3 WIRE.
 - REFER TO PARAGRAPH 20-4. HEADING AND ATTITUDE REFERENCE SET (HARS) - WIRING DIAGRAM.
 - REFER TO PARAGRAPH 9-12. CIRCUIT PROTECTION (DC ESSENTIAL BUS 3 - PILOT STATION) - WIRING DIAGRAM.
 - PART OF THE DOPPLER AN/ASN-128 SYSTEM (ONLY).



20-3. DOPPLER NAVIGATION AN/ASN-137 (ADC) - WIRING DIAGRAM
(SERIAL NO. 84-24270 AND SUBSEQUENT)

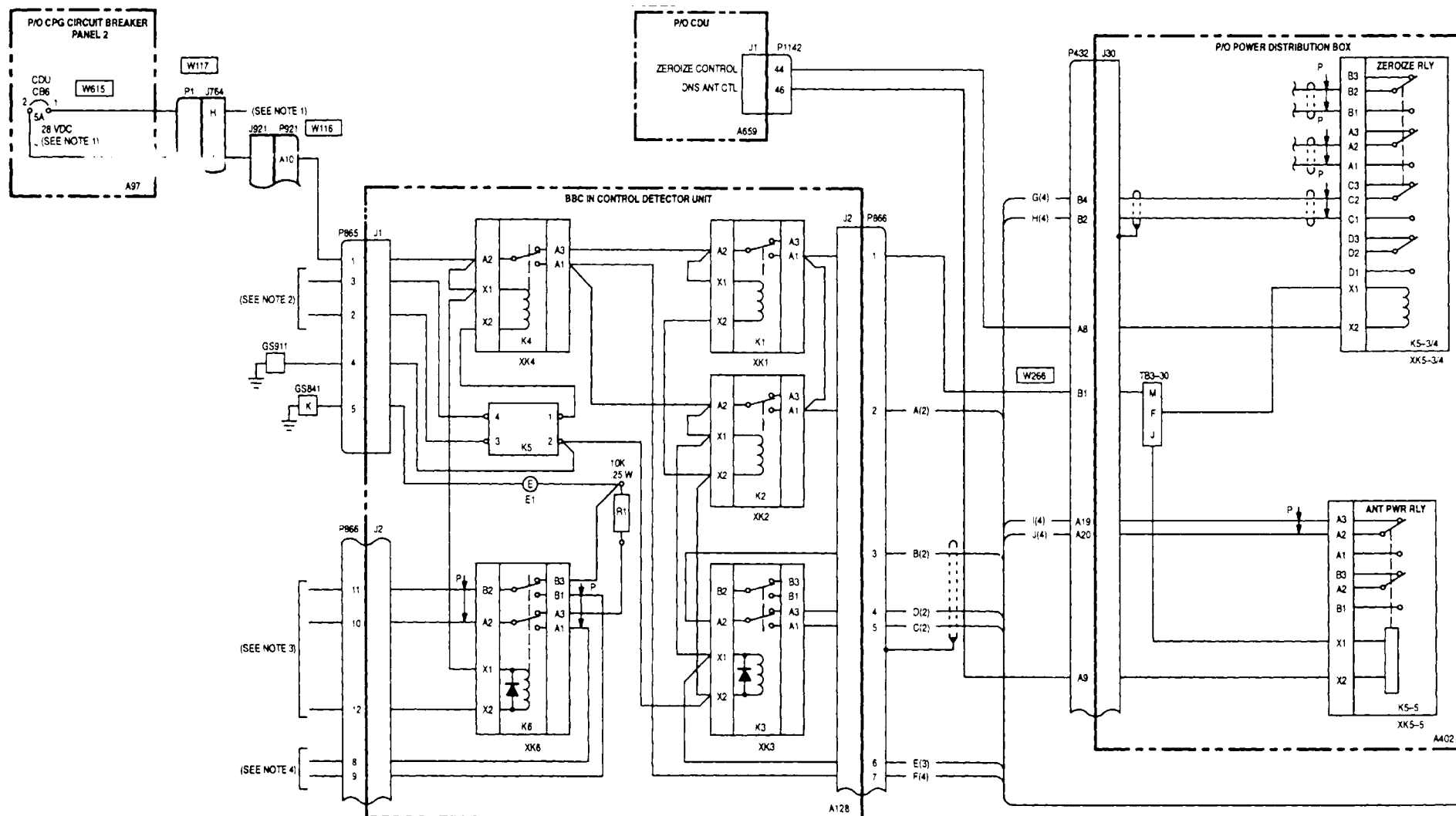




NOTES:

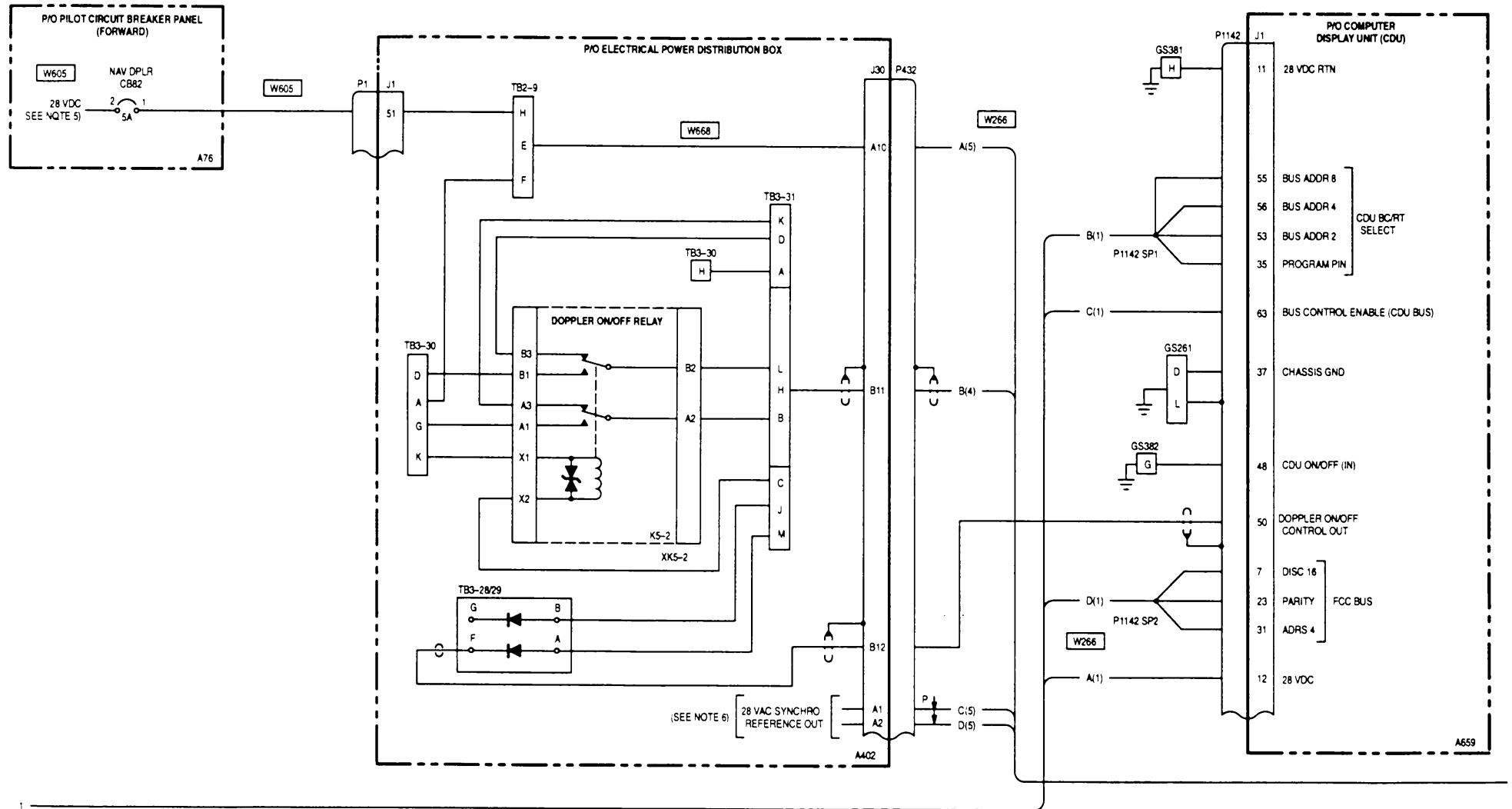
- 1 0 TO 11.8 VAC, LINE TO LINE, 3 WIRE, 400 HZ.
- 2 REFER TO PARAGRAPH 9-13. CIRCUIT PROTECTION (DC ESSENTIAL BUS 3 - CPG STATION) - WIRING DIAGRAM.
- 3 REFER TO PARAGRAPH 20-4. HEADING AND ATTITUDE REFERENCE SET (HARS) - WIRING DIAGRAM.
- 4 REFER TO PARAGRAPH 9-12. CIRCUIT PROTECTION (DC ESSENTIAL BUS 3 - PILOT STATION) - WIRING DIAGRAM.

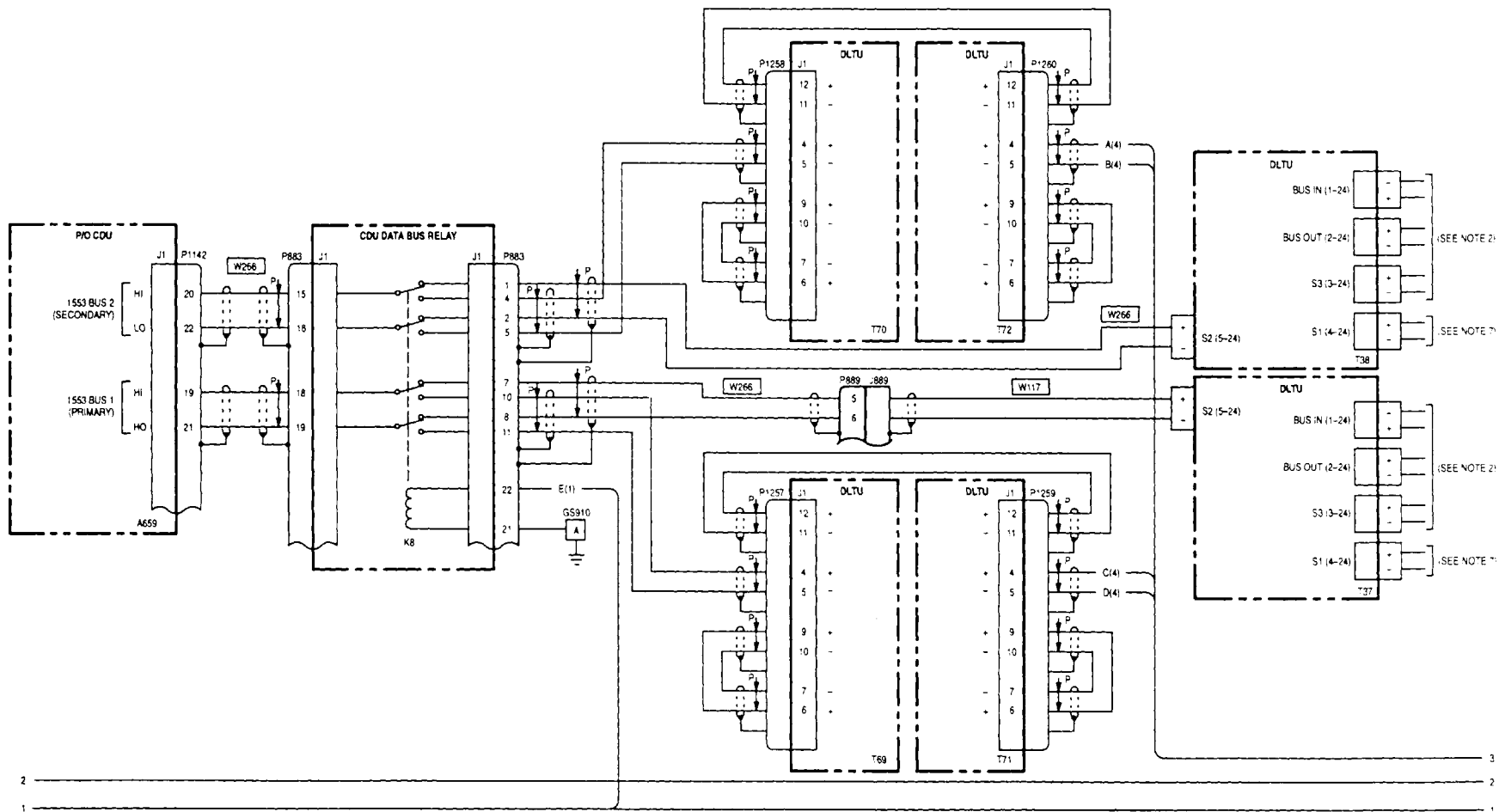
20-3. DOPPLER NAVIGATION AN/ASN-137 (ADD) - WIRING DIAGRAM



SHEET 1 OF 5 M50-274-1

Change 5 20-8.1

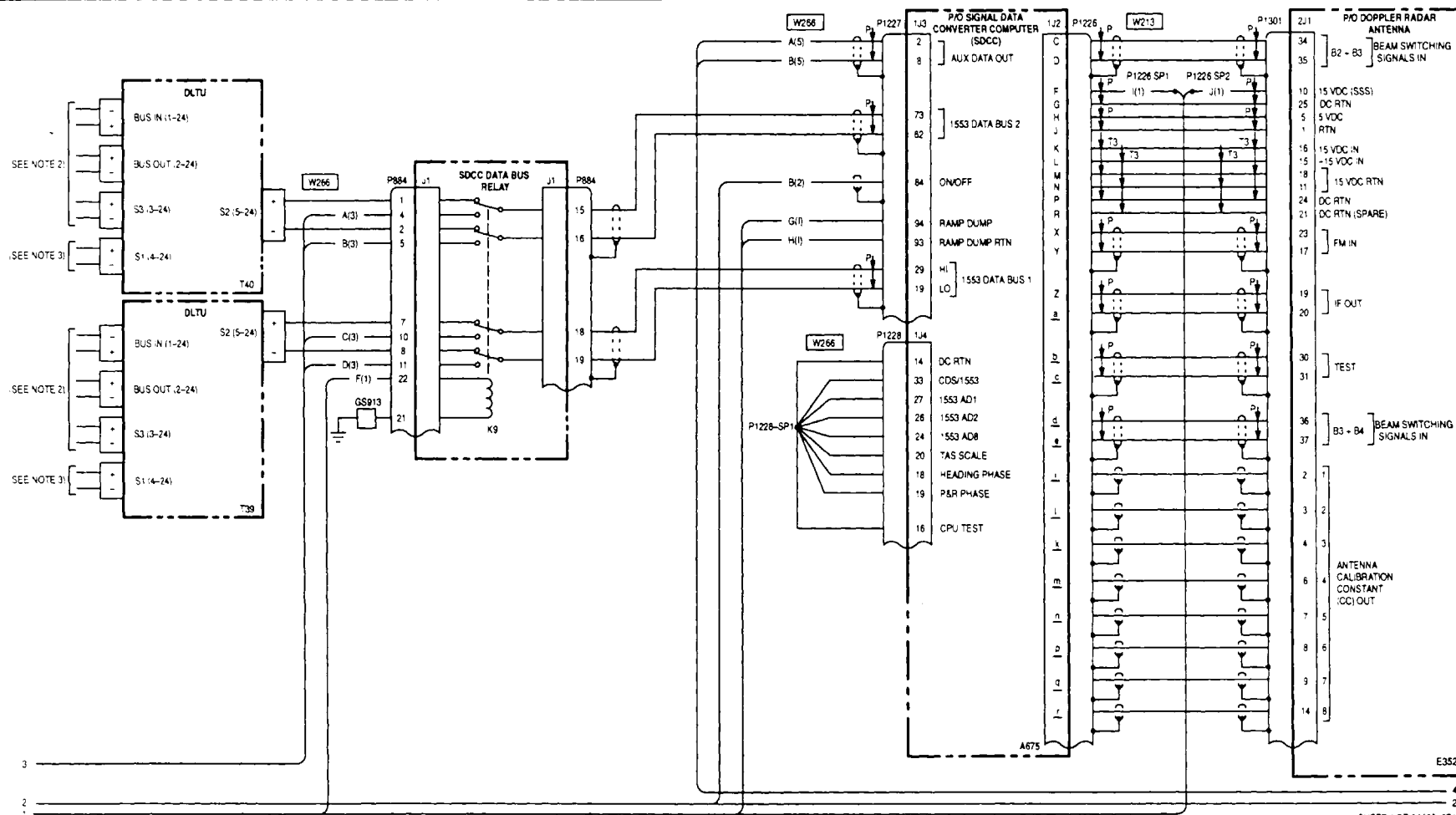


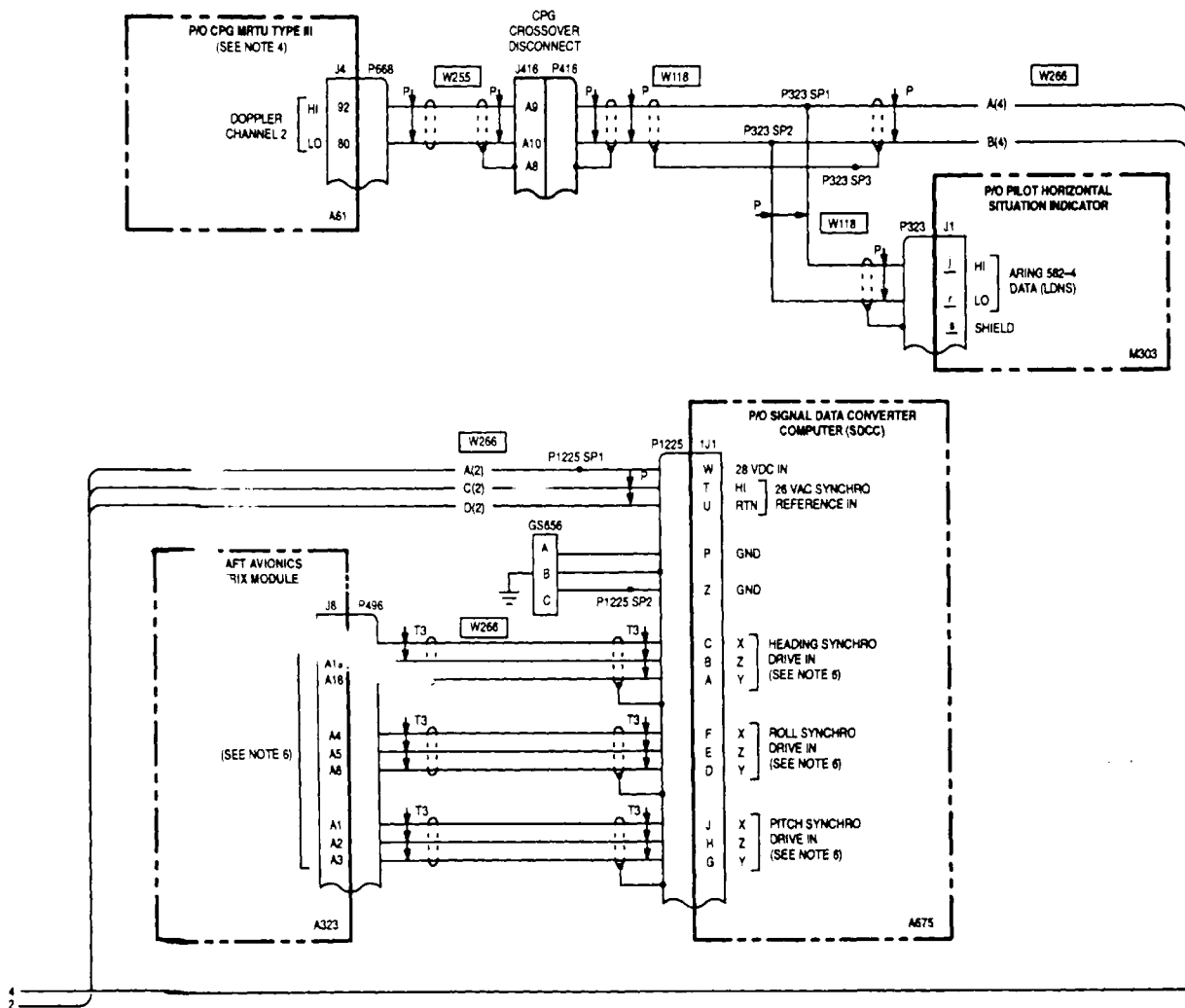


SHEET 3 OF 5 M50-274-3

20-3A. DOPPLER NAVIGATION AN/ASN-137 (ADD) - WIRING DIAGRAM (cont)

20-3A

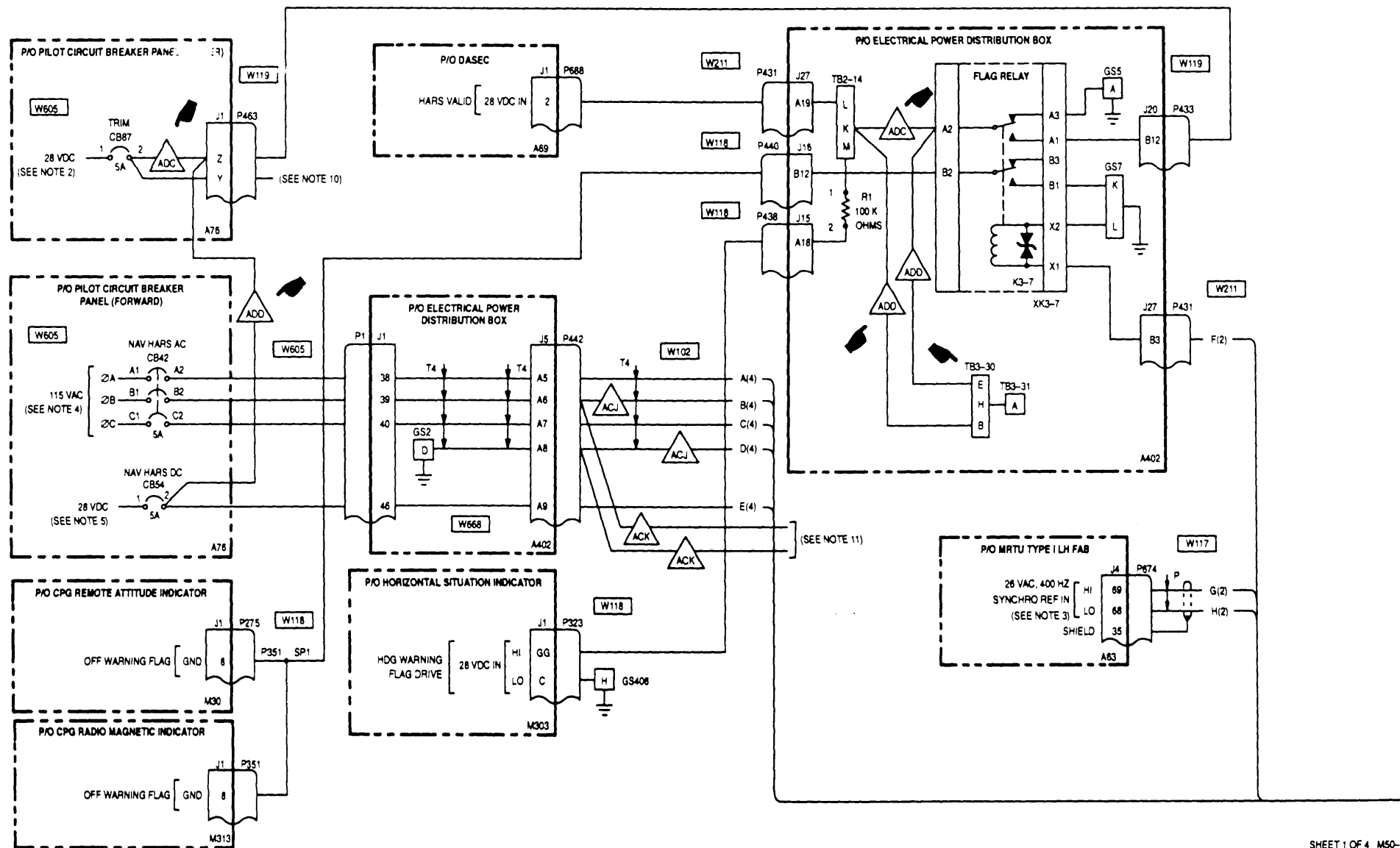




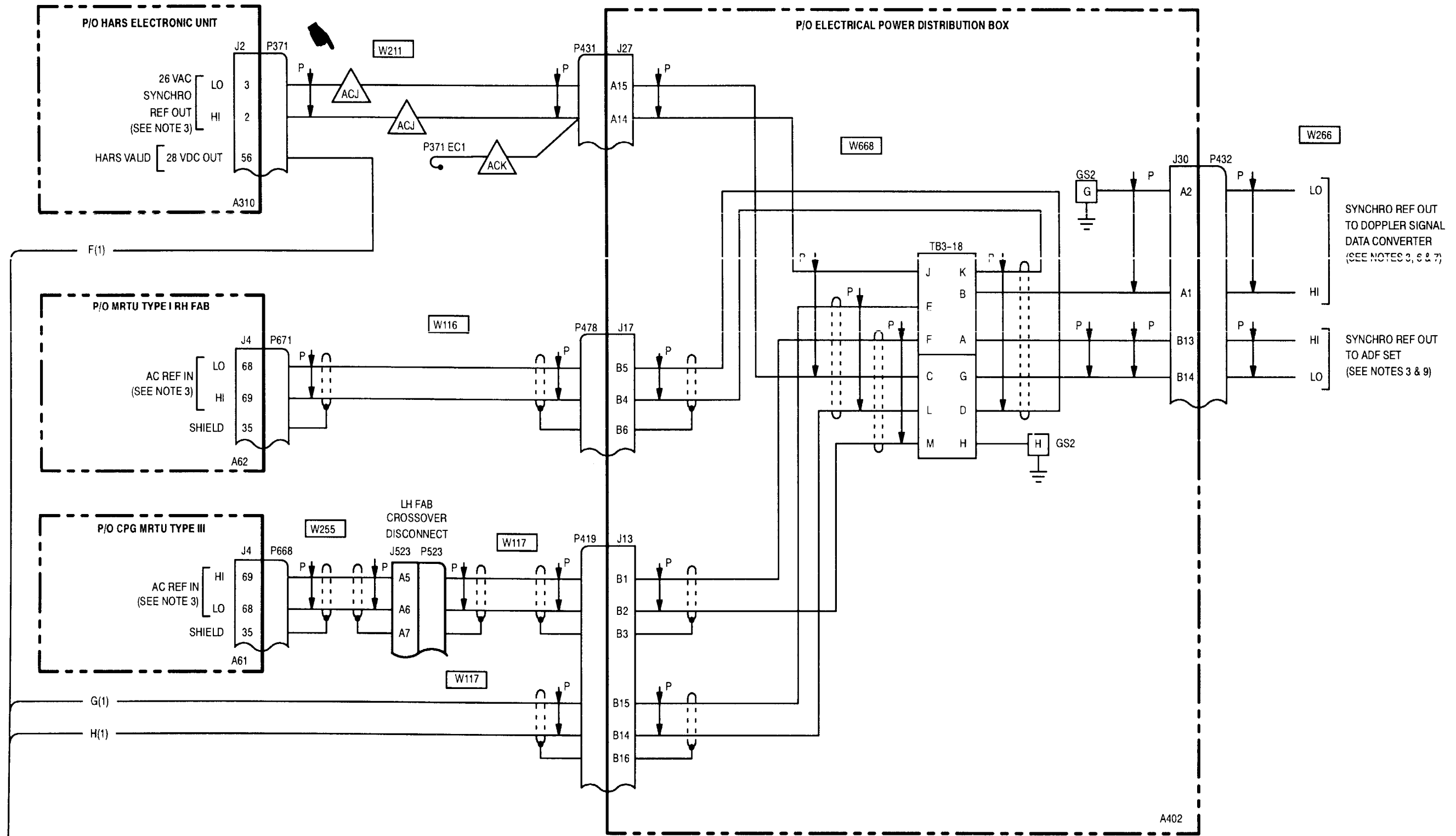
NOTES:

1. REFER TO PARAGRAPH 9-13. CIRCUIT PROTECTION (DC ESSENTIAL BUS 3-CPG-STATION) - WIRING DIAGRAM.
2. REFER TO PARAGRAPH 19-1. MULTIPLEX - WIRING DEAGRAM.
3. REFER TO PARAGRAPH 20-8. EGI (ADD) - WIRING DIAGRAM.
4. REFER TO PARAGRAPH 6-3. UHF-AM RADIO SET - WIRING DIAGRAM.
5. REFER TO PARAGRAPH 9-12. CIRCUIT PROTECTION (DC ESSENTIAL BUS 3-PILOT STATION) - WIRING DIAGRAM.
6. REFER TO PARAGRAPH 20-4. HEADING AND ATTITUDE REFERENCE SET (HARS) - WIRING DIAGRAM.
7. REFER TO PARAGRAPH 20-7. DATA TRANSFER UNIT (ADD) - WIRING DIAGRAM.
8. 0 TO 11.8 VAC, LINE TO LINE, 3 WIRE, 400 HZ.

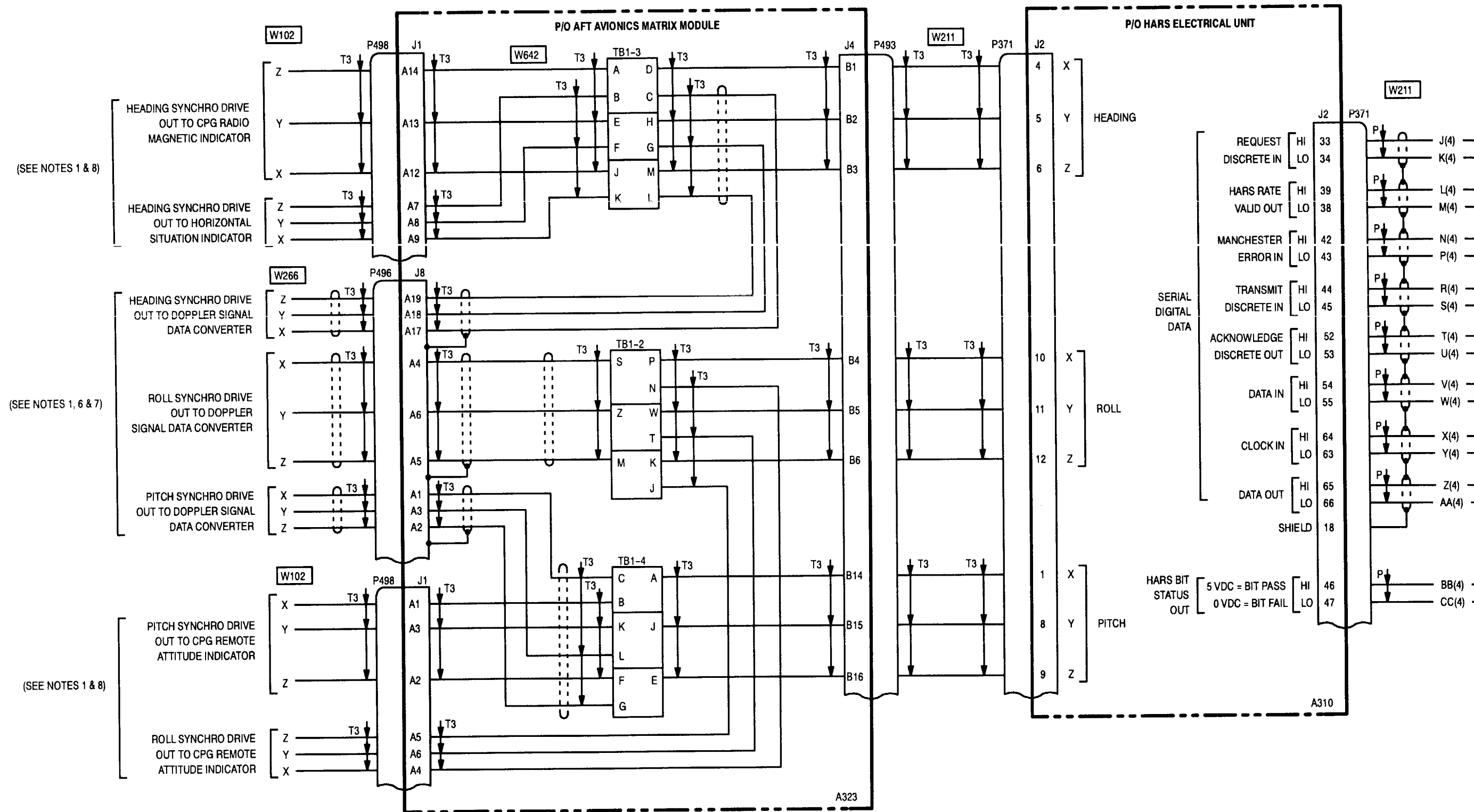
20-4. HEADING AND ATTITUDE REFERENCE SET (HARS) - WIRING DIAGRAM

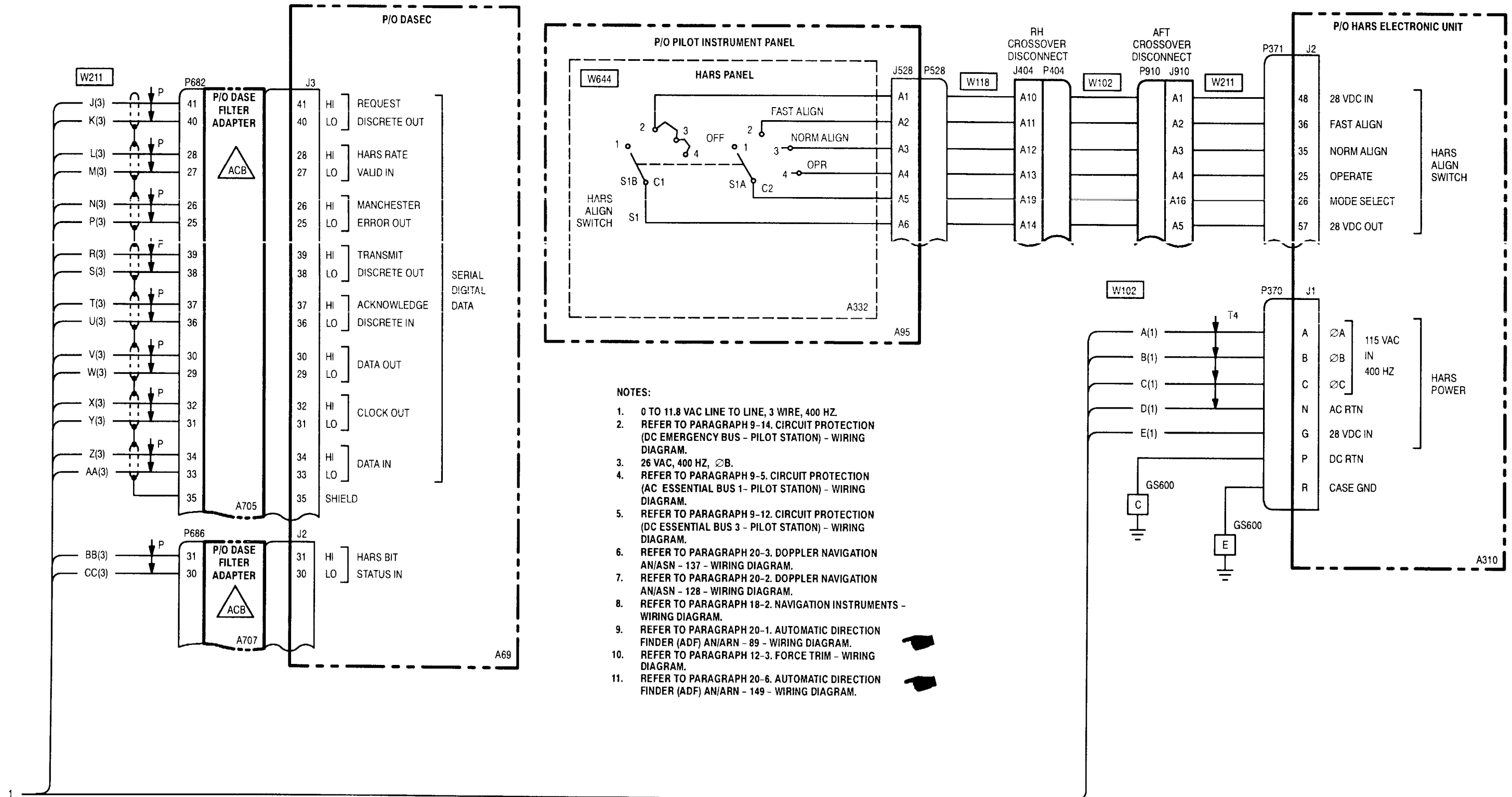


20-4. HEADING AND ATTITUDE REFERENCE SET (HARS) - WIRING DIAGRAM (cont)

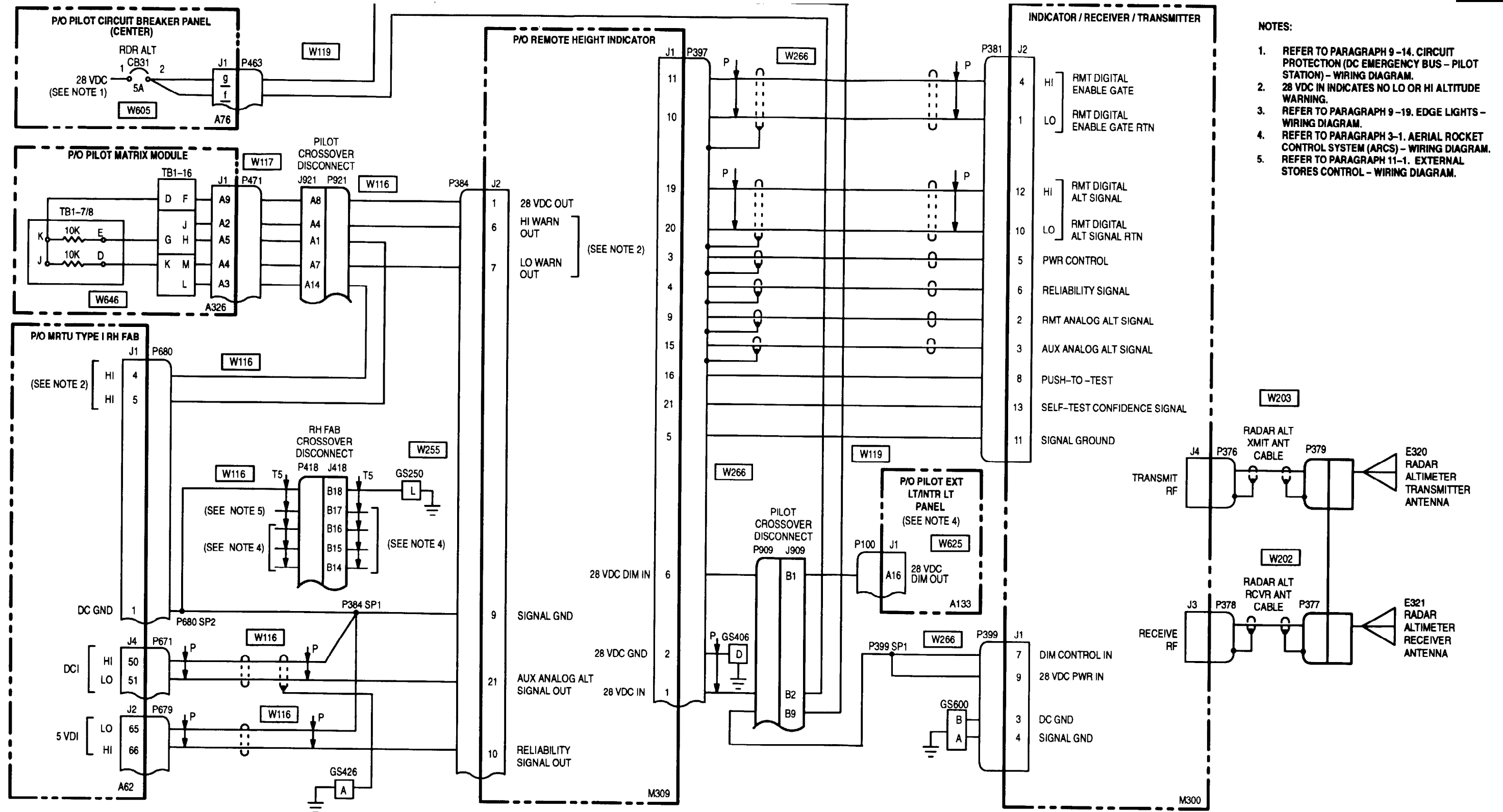


20-4. HEADING AND ATTITUDE REFERENCE SET (HARS) - WIRING DIAGRAM (cont)

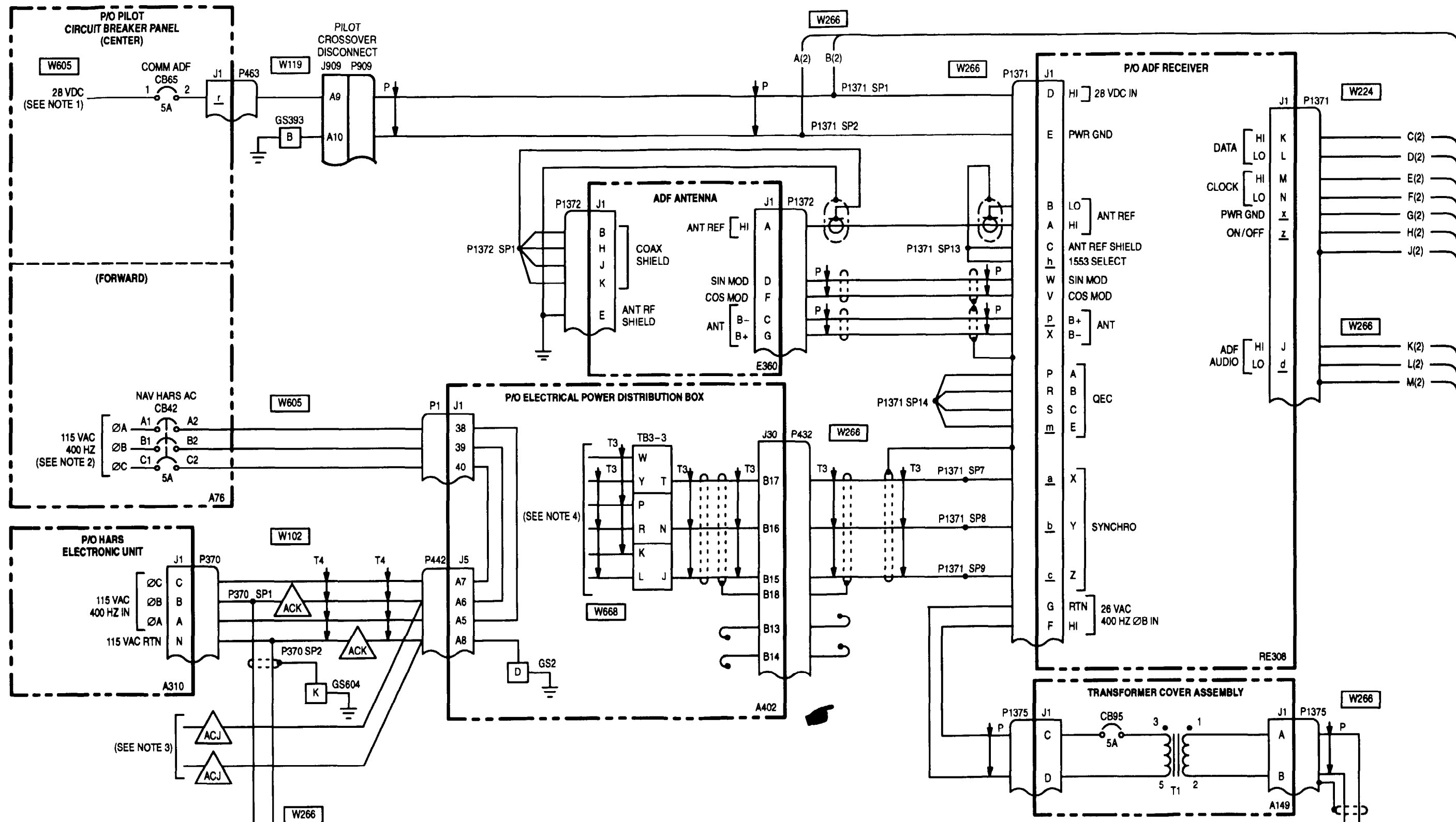




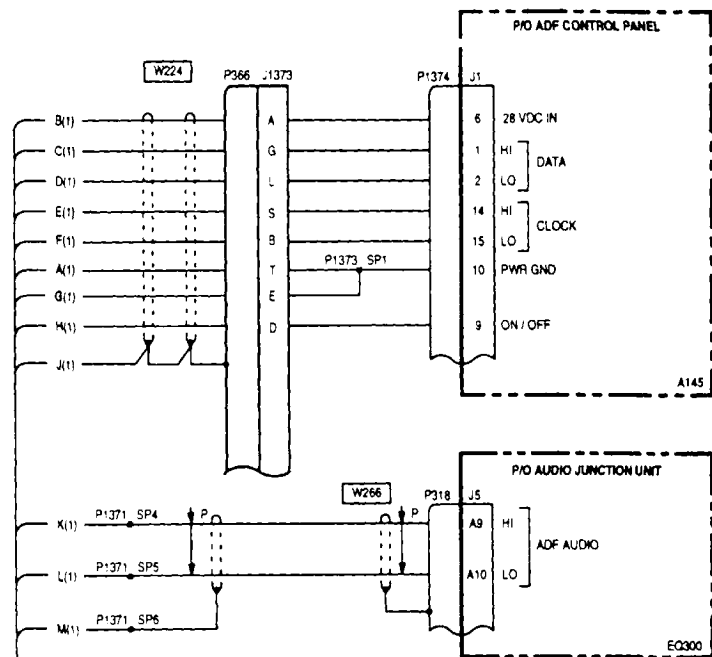
20-5. RADAR ALTIMETER (RADALT) SET - WIRING DIAGRAM



20-6. AUTOMATIC DIRECTION FINDER (ADF) AN/ARN-149 -WIRING DIAGRAM



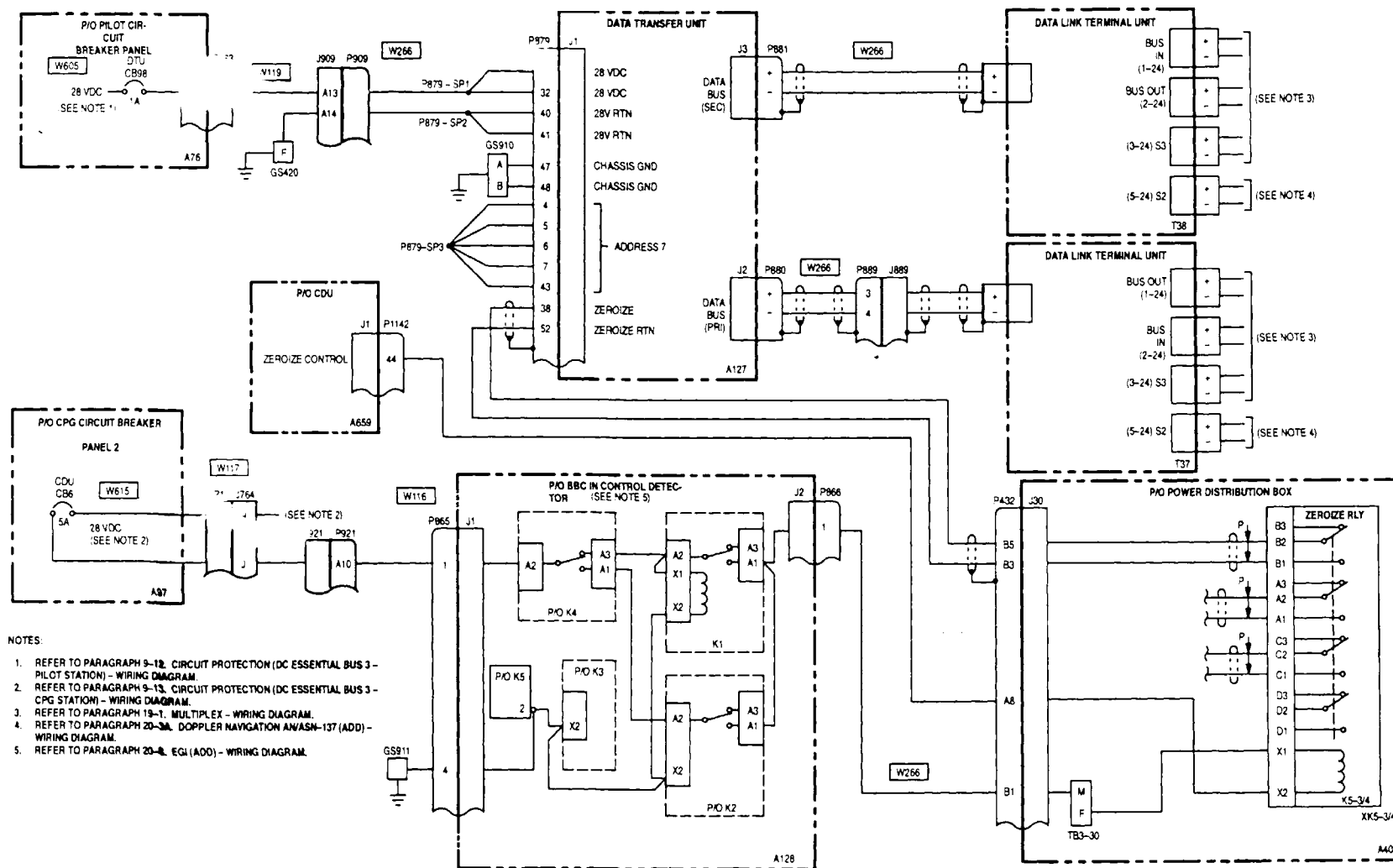
20-6. AUTOMATIC DIRECTION FINDER (ADF) AN/ARN-149 - WIRING DIAGRAM (CONT)



NOTES:

1. REFER TO PARAGRAPH 9-14. CIRCUIT PROTECTION (DC EMERGENCY BUS - PILOT STATION) - WIRING DIAGRAM.
2. REFER TO PARAGRAPH 9-5. CIRCUIT PROTECTION (AC ESSENTIAL BUS 1 - PILOT STATION) - WIRING DIAGRAM.
3. REFER TO PARAGRAPH 20-4. HEADING AND ATTITUDE REFERENCE SET (HARS) - WIRING DIAGRAM.
4. REFER TO PARAGRAPH 19-2. NAVIGATION INSTRUMENT - WIRING DIAGRAM.

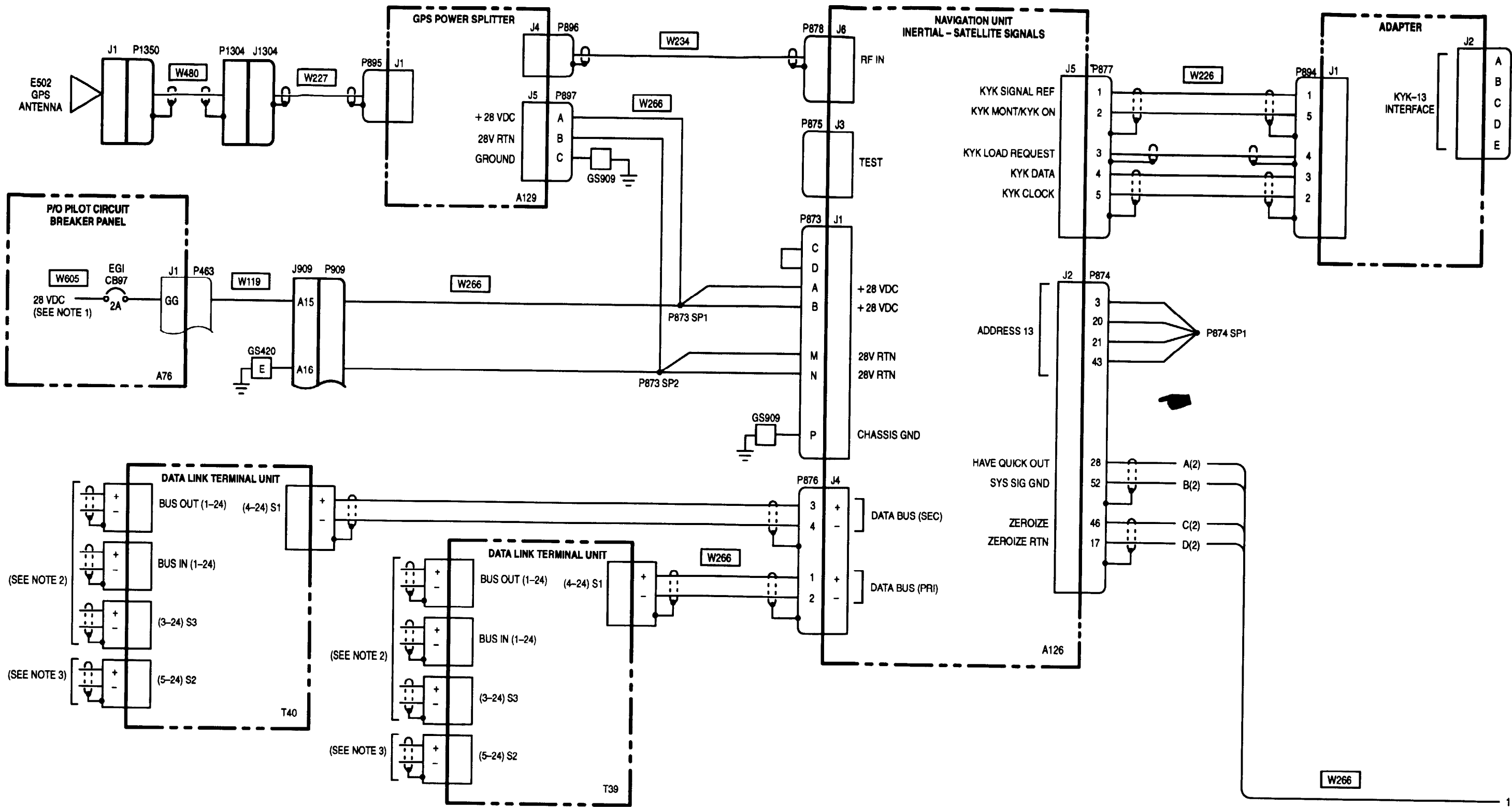
20-7 DATA TRANSFER UNIT (ADD) - WIRING DIAGRAM



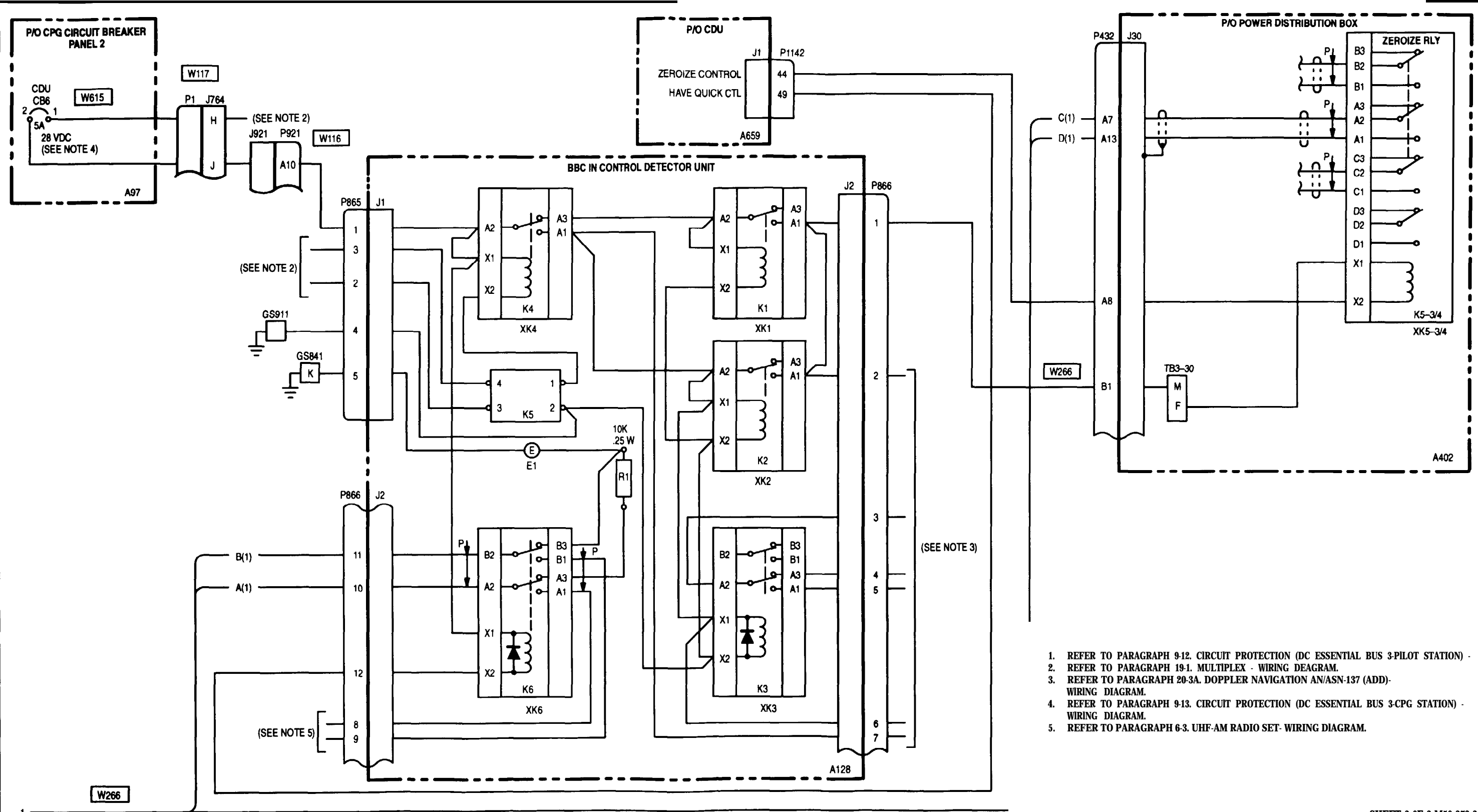
- NOTES:
1. REFER TO PARAGRAPH 9-12, CIRCUIT PROTECTION (DC ESSENTIAL BUS 3 - PILOT STATION) - WIRING DIAGRAM.
 2. REFER TO PARAGRAPH 9-13, CIRCUIT PROTECTION (DC ESSENTIAL BUS 3 - CPG STATION) - WIRING DIAGRAM.
 3. REFER TO PARAGRAPH 13-1, MULTIPLEX - WIRING DIAGRAM.
 4. REFER TO PARAGRAPH 20-3A, DOPPLER NAVIGATION AN/ASH-137 (ADD) - WIRING DIAGRAM.
 5. REFER TO PARAGRAPH 20-8, EGI (ADD) - WIRING DIAGRAM.

M50-273

20-8. EGI (ADD) - WIRING DIAGRAM



20-8. EGI (ADD) - WIRING DIAGRAM (cont)



**CHAPTER 21 PENETRATION AIDS AND COUNTERMEASURES SYSTEM
WIRING DIAGRAM**

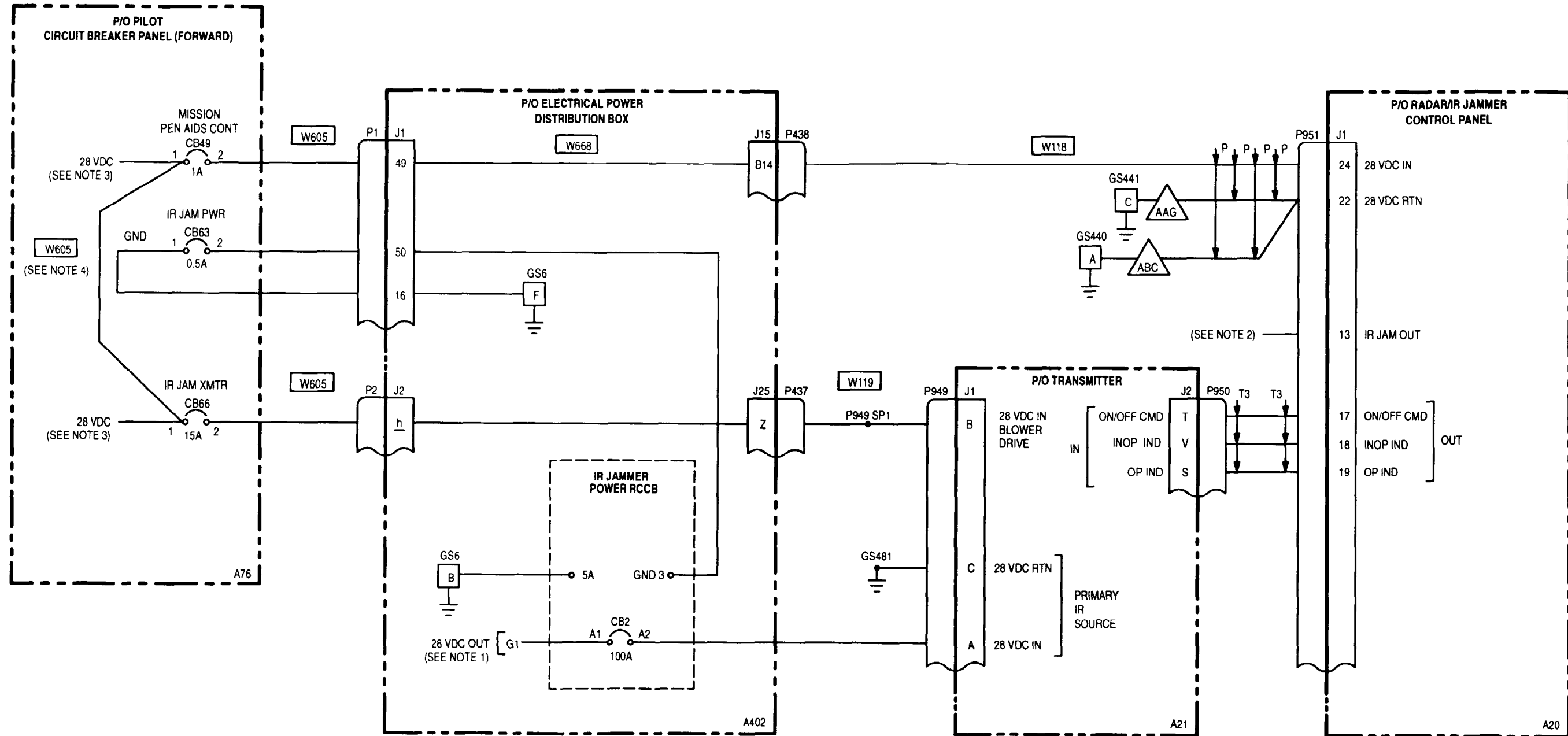
CHAPTER OVERVIEW

Chapter 21 contains wiring diagrams required for troubleshooting the penetration aids and countermeasures system.

Chapter 21 is divided into the following paragraphs:

<u>Para Title</u>	<u>Para No.</u>
IR Jammer AN/ALQ-144 -Wiring Diagram	21-1
Radar Jammer AN/ALQ-136 -Wiring Diagram	21-2
Radar Warning Set AN/APR-39(V)1 (ADN) and AN/APR-39A(V)1 (ADO) - Wiring Diagram	21-3
Laser Detecting Set AN/AVR-2A(V)1 (ADP) -Wiring Diagram	21-4

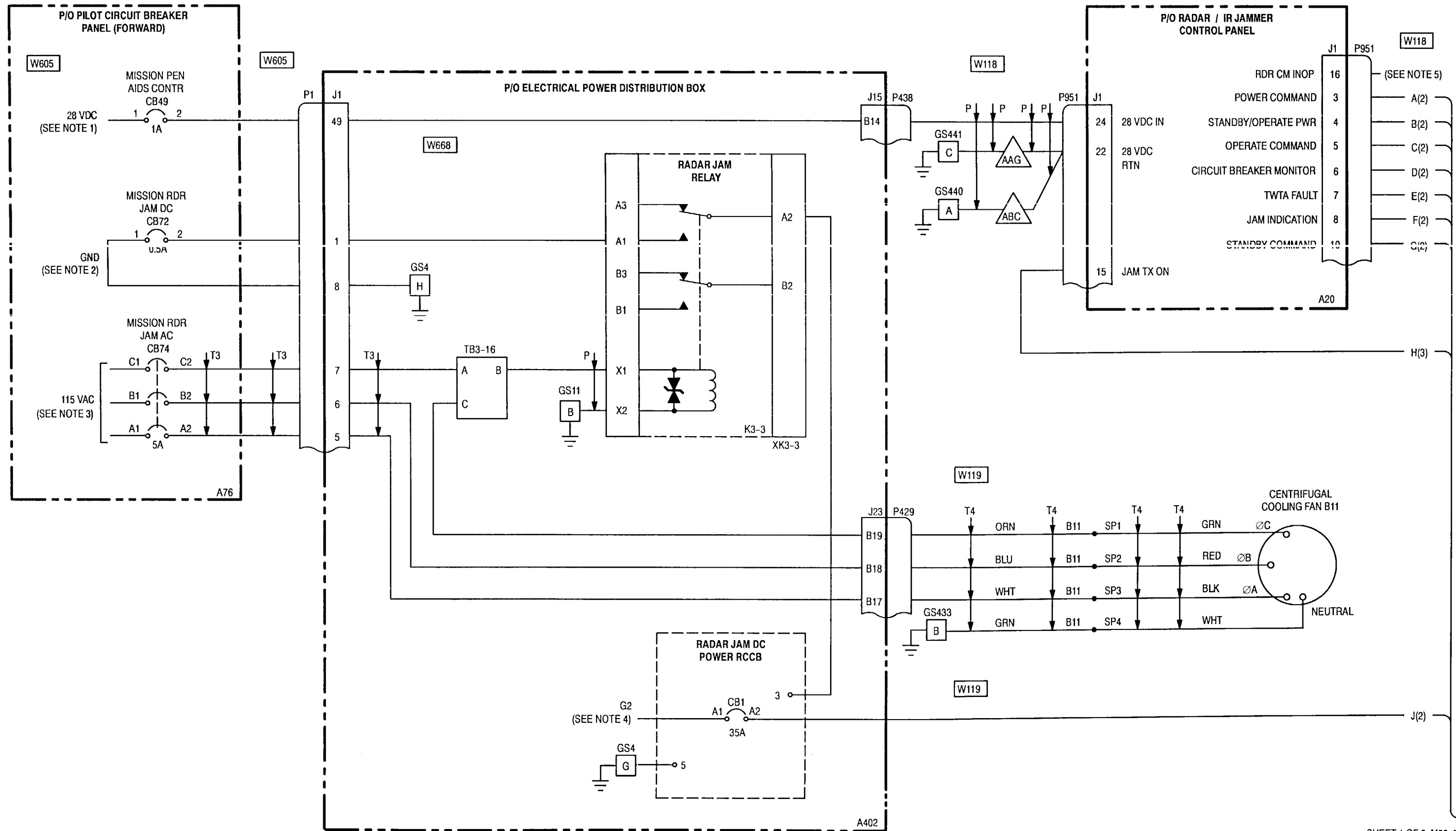
21-1. IR JAMMER AN/ALQ-144 - WIRING DIAGRAM

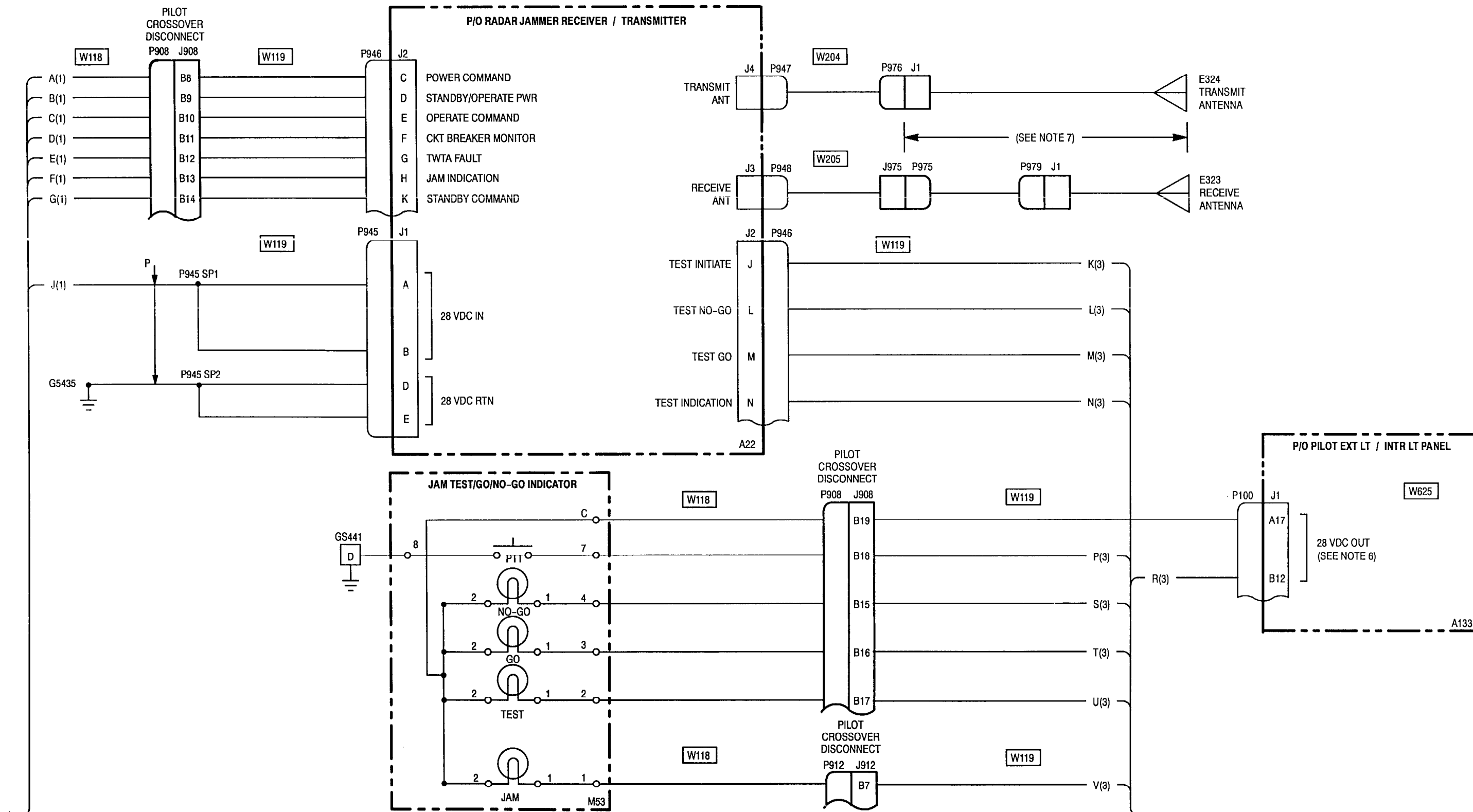


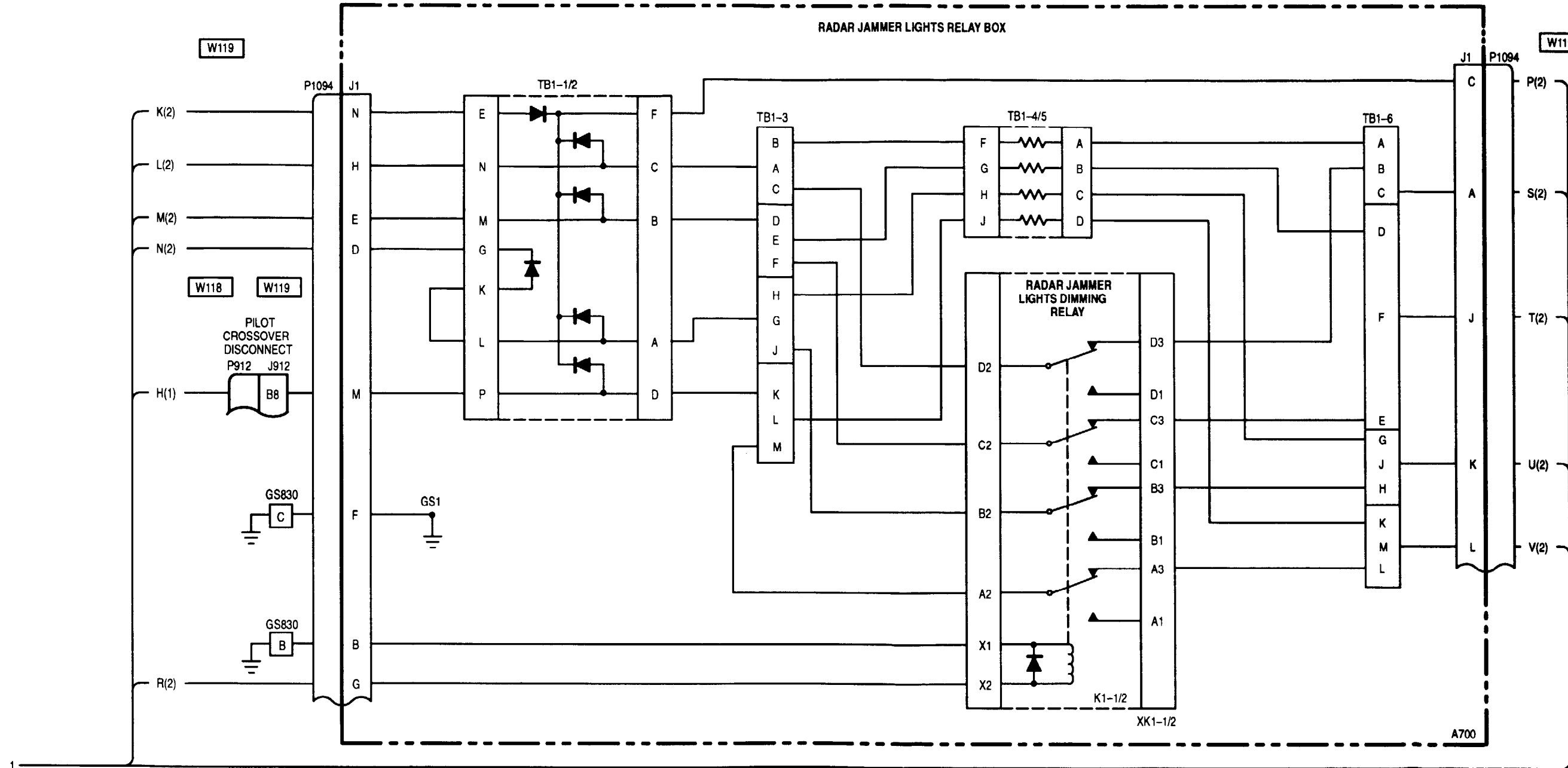
NOTES:

1. REFER TO PARAGRAPH 9-2. DC ELECTRICAL POWER GENERATION - WIRING DIAGRAM.
2. REFER TO PARAGRAPH 9-18. CAUTION AND WARNING - WIRING DIAGRAM.
3. REFER TO PARAGRAPH 9-11. CIRCUIT PROTECTION (DC ESSENTIAL BUS 2 - PILOT STATION) - WIRING DIAGRAM.
4. REFER TO PARAGRAPH 9-16. CIRCUIT PROTECTION (DC GROUND CIRCUIT BREAKERS - PILOT STATION) - WIRING DIAGRAM.

21-2. RADAR JAMMER AN/ALQ-136 - WIRING DIAGRAM



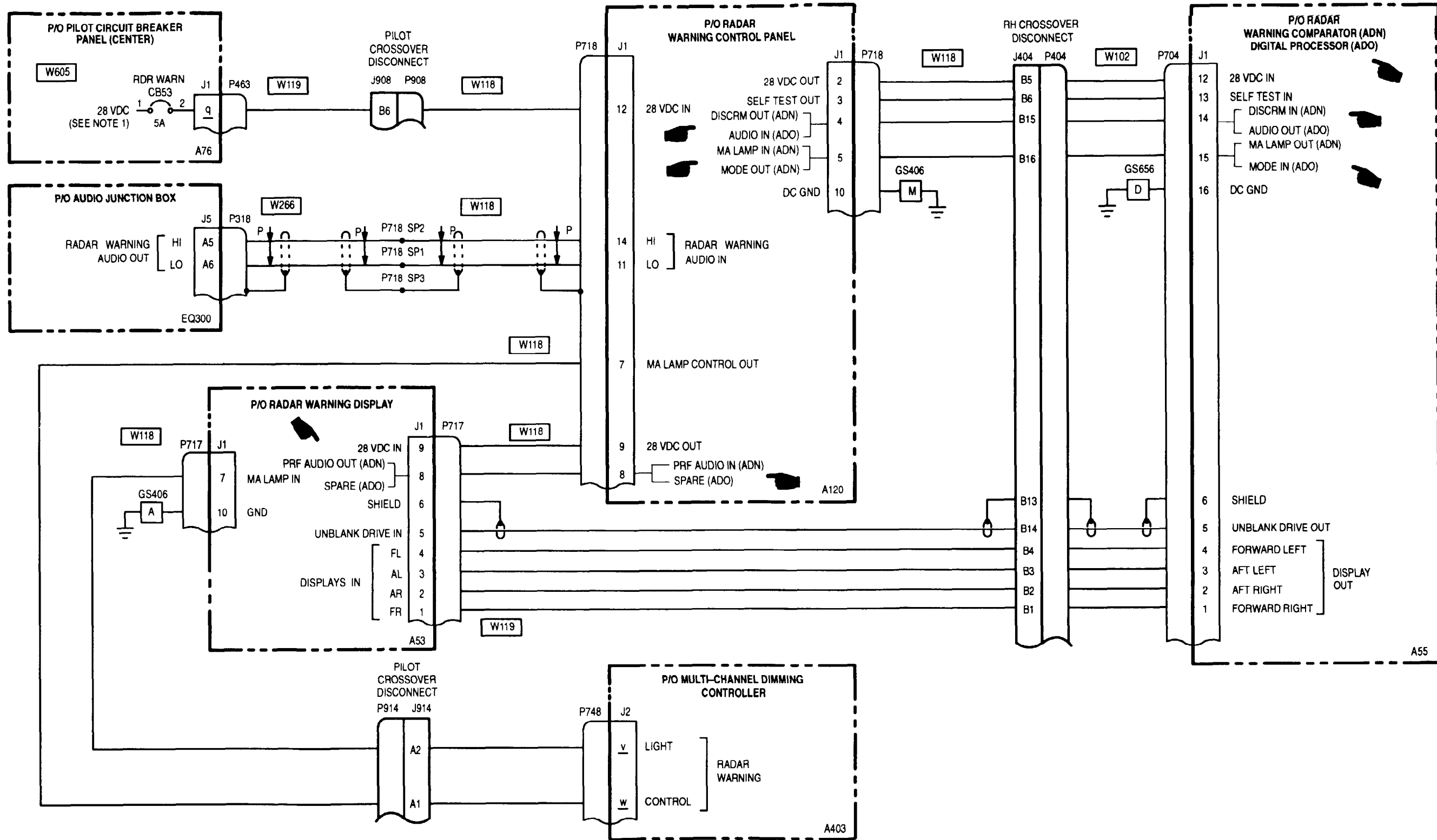




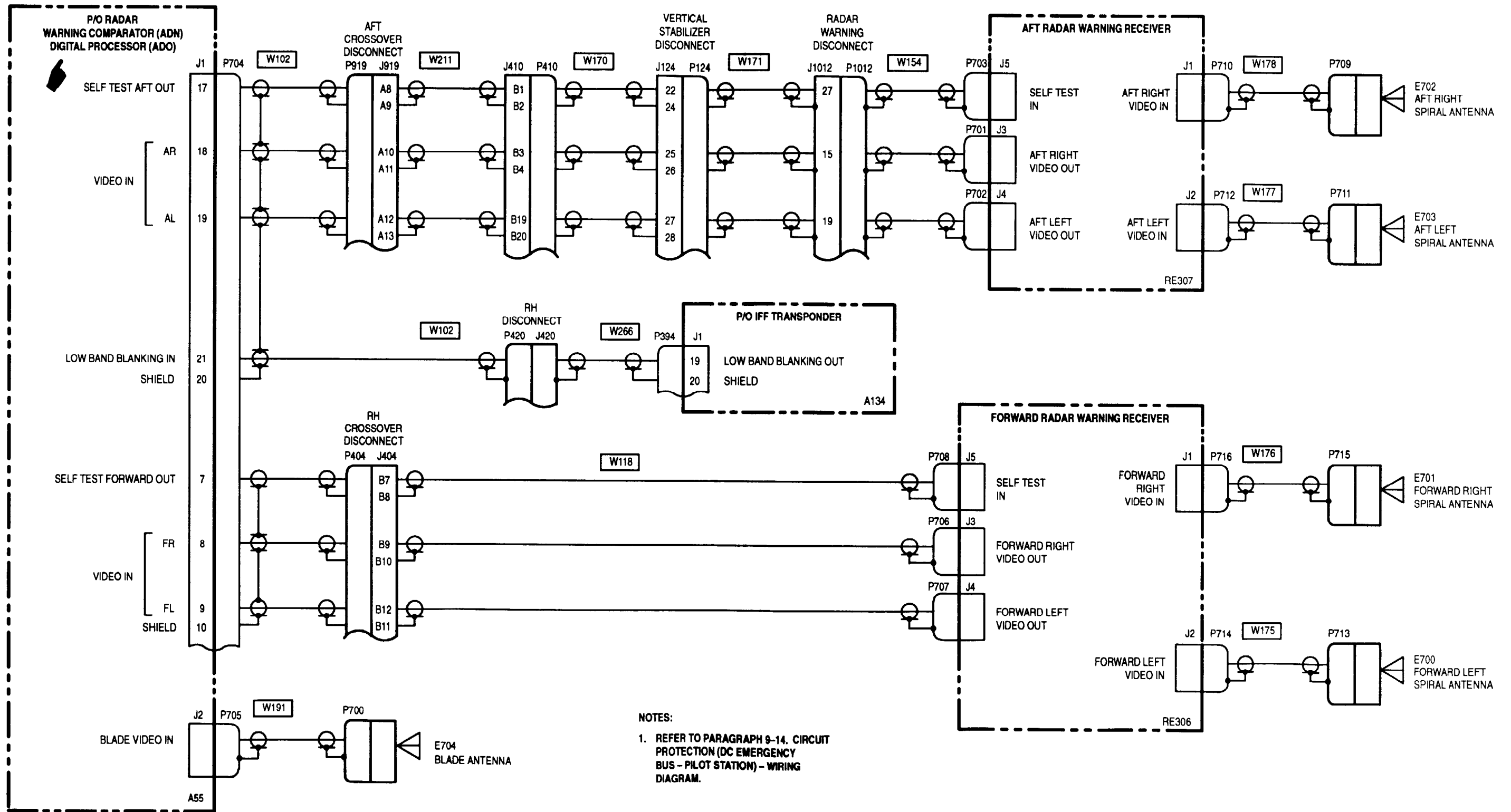
NOTES:

1. REFER TO PARAGRAPH 9-11. CIRCUIT PROTECTION (DC ESSENTIAL BUS 2 - PILOT STATION) - WIRING DIAGRAM.
2. REFER TO PARAGRAPH 9-16. CIRCUIT PROTECTION (DC GROUND CIRCUIT BREAKERS - PILOT STATION) - WIRING DIAGRAM.
3. REFER TO PARAGRAPH 9-5. CIRCUIT PROTECTION (AC ESSENTIAL BUS 1 - PILOT STATION) - WIRING DIAGRAM.
4. REFER TO PARAGRAPH 9-2. DC ELECTRICAL POWER GENERATION-WIRING DIAGRAM.
5. REFER TO PARAGRAPH 9-18. CAUTION AND WARNING - WIRING DIAGRAM.
6. REFER TO PARAGRAPH 9-19. EDGE LIGHTS - WIRING DIAGRAM.
7. MOUNTED ON TADS/PNVS ASSEMBLY.

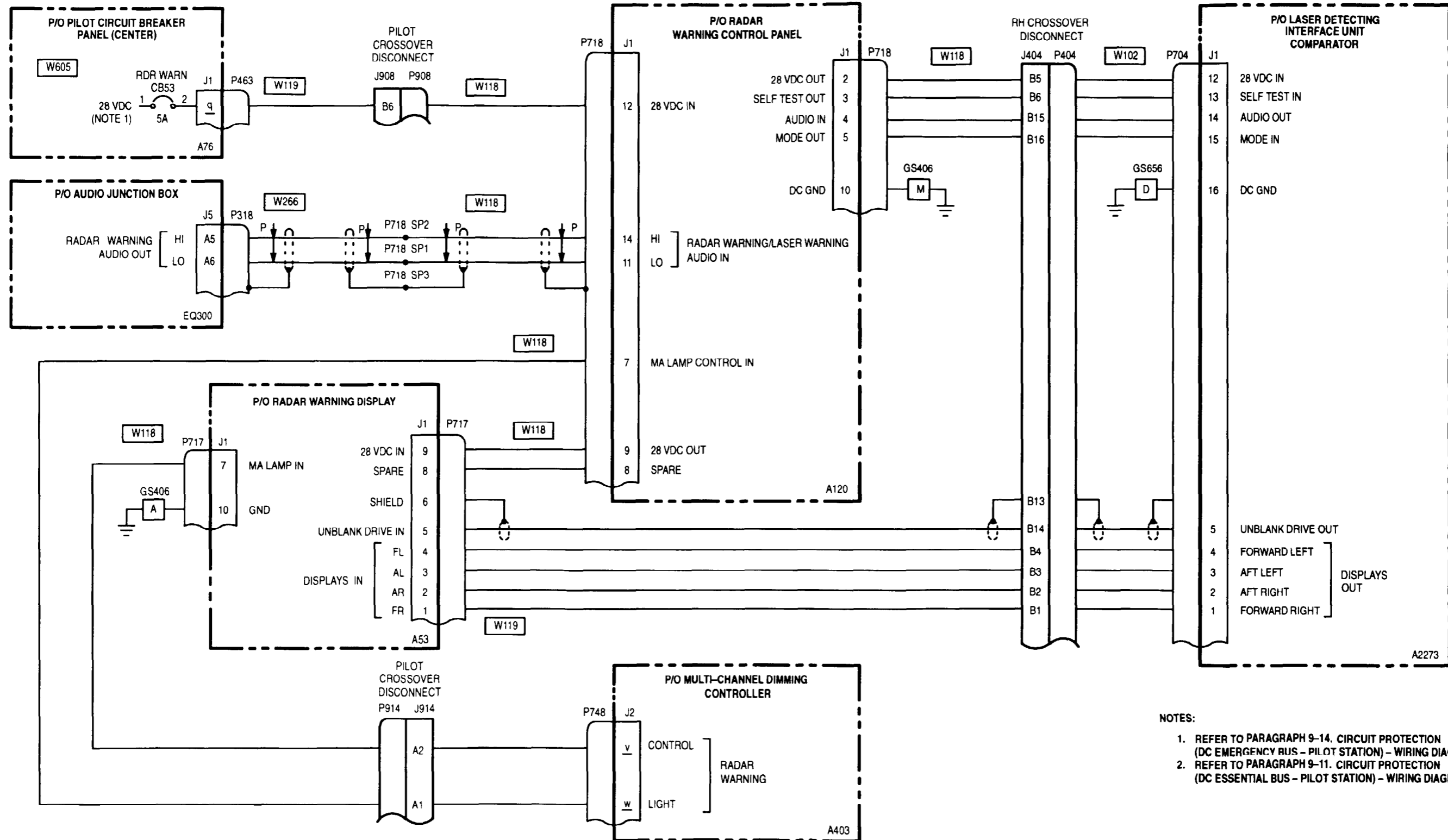
21-3. RADAR WARNING SET AN/APR-39(V)1 (ADN) AN/APR-39A(V)1 (ADO) -WIRING DIAGRAM



21-3. RADAR WARNING SET AN/APR-39(V)1 (ADN) AN/APR-39A(V)1 (ADO) - WIRING DIAGRAM (cont)



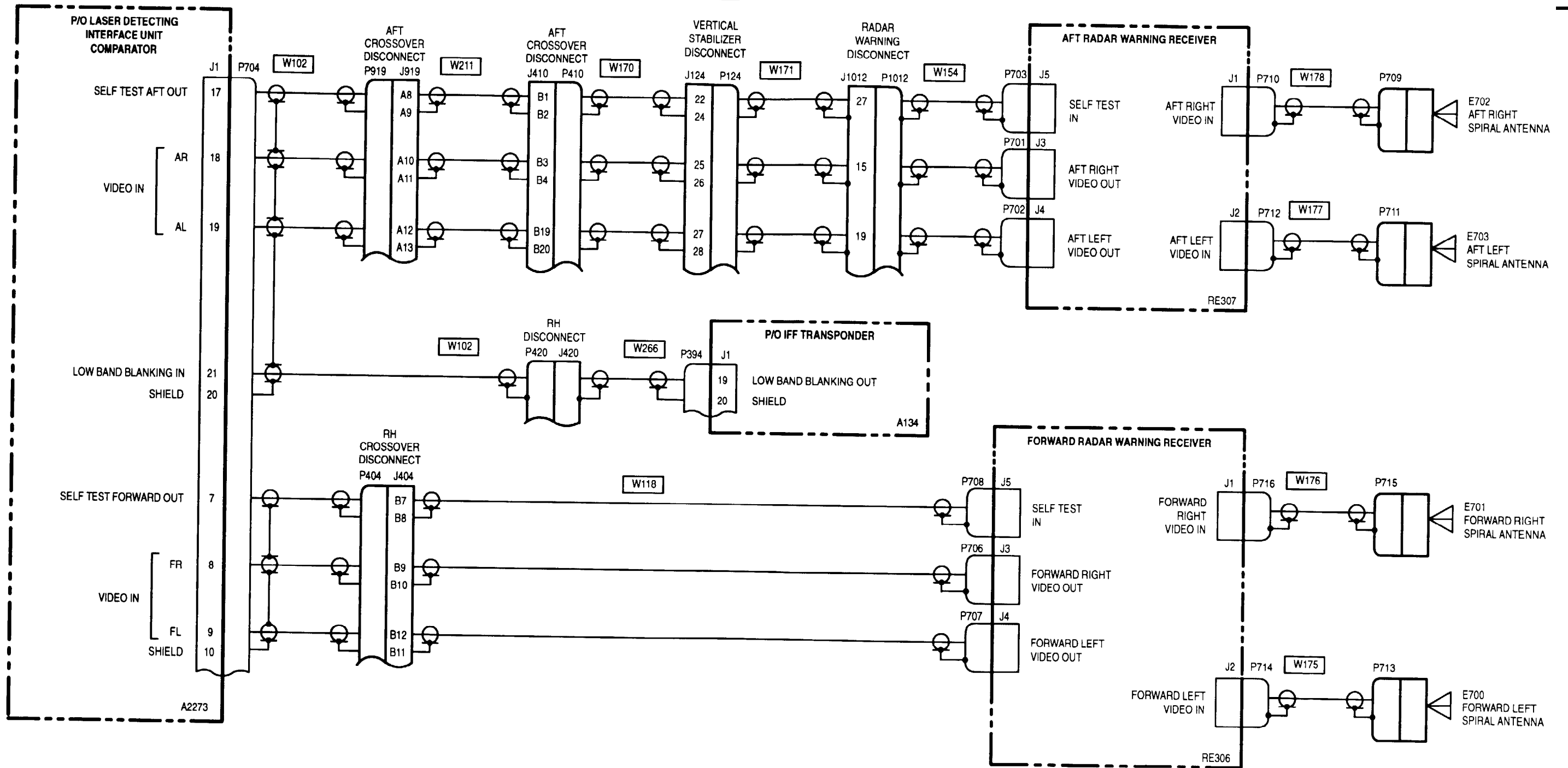
21-4. LASER DETECTING SET AN/AVR-2A(V)1 (ADP) - WIRING DIAGRAM



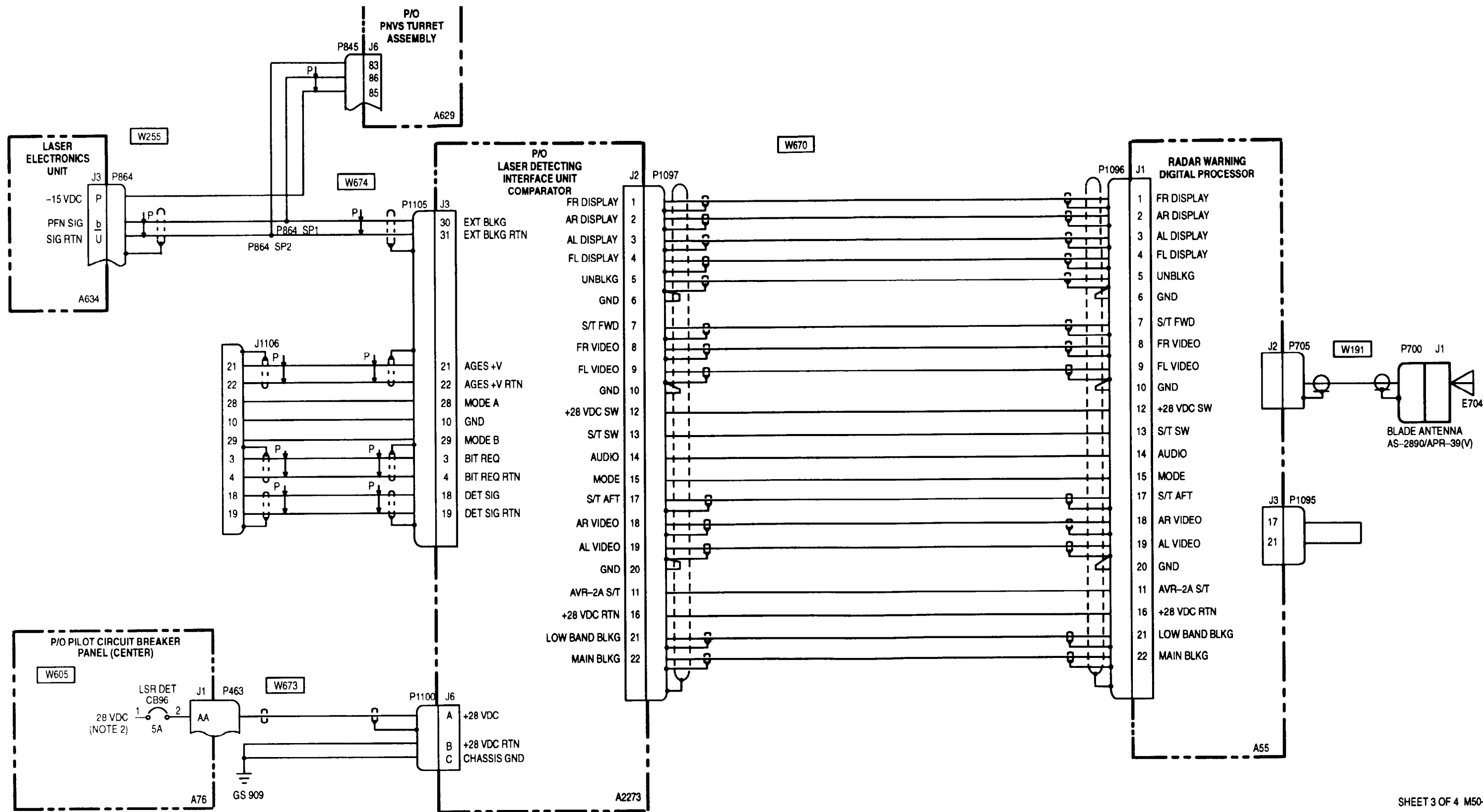
- NOTES:
1. REFER TO PARAGRAPH 9-14. CIRCUIT PROTECTION (DC EMERGENCY BUS - PILOT STATION) - WIRING DIAGRAM
 2. REFER TO PARAGRAPH 9-11. CIRCUIT PROTECTION (DC ESSENTIAL BUS - PILOT STATION) - WIRING DIAGRAM.

21-4. LASER DETECTING SET AN/AVR-2A(V)1 (ADP) - WIRING DIAGRAM (cont)

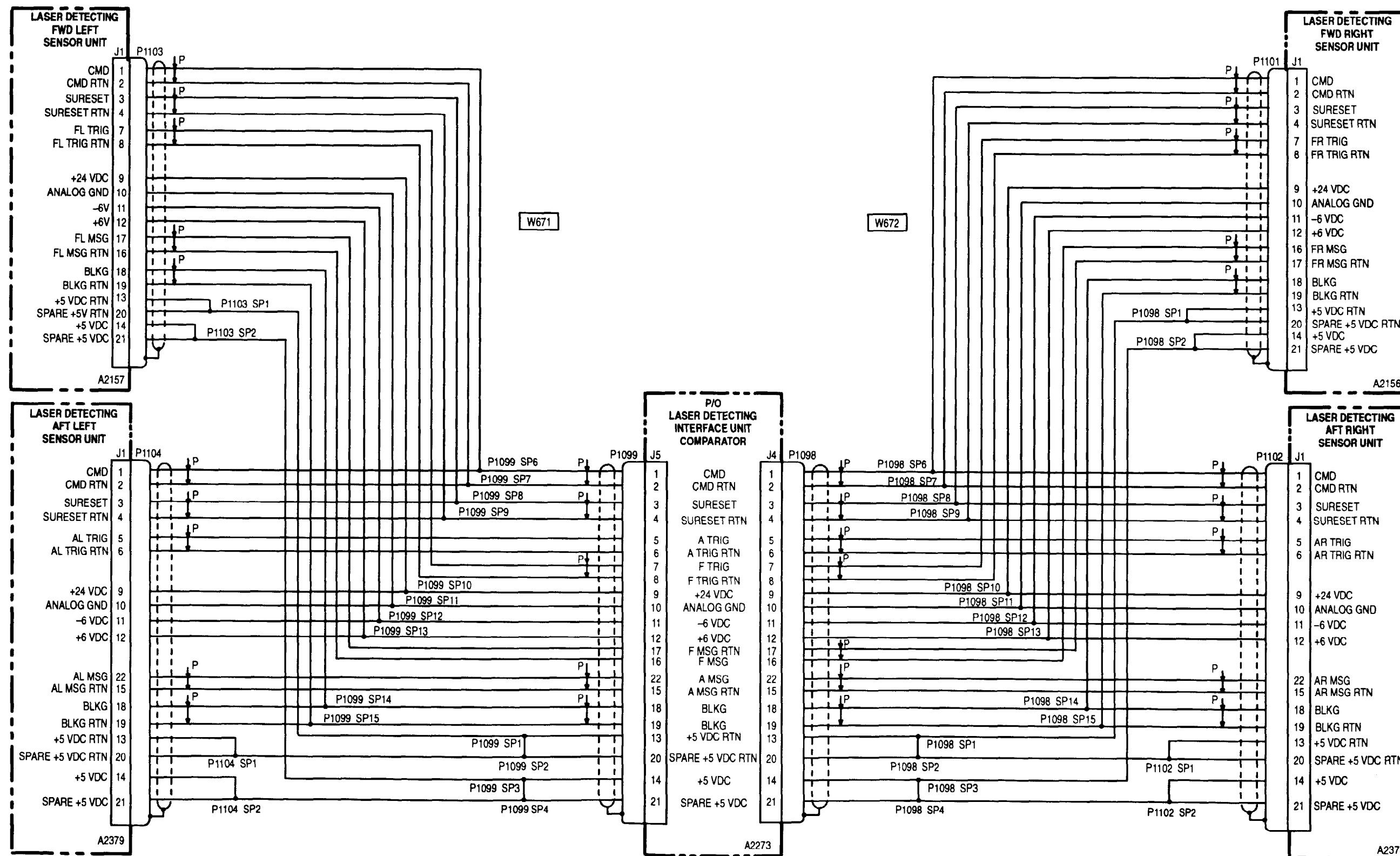
21-4



21-4. LASER DETECTING SET AN/AVR-2A(V)1 (ADP) - WIRING DIAGRAM (cont)



21-4. LASER DETECTING SET AN/AVR-2A(V)1 (ADP) -WIRING DIAGRAM (cont)



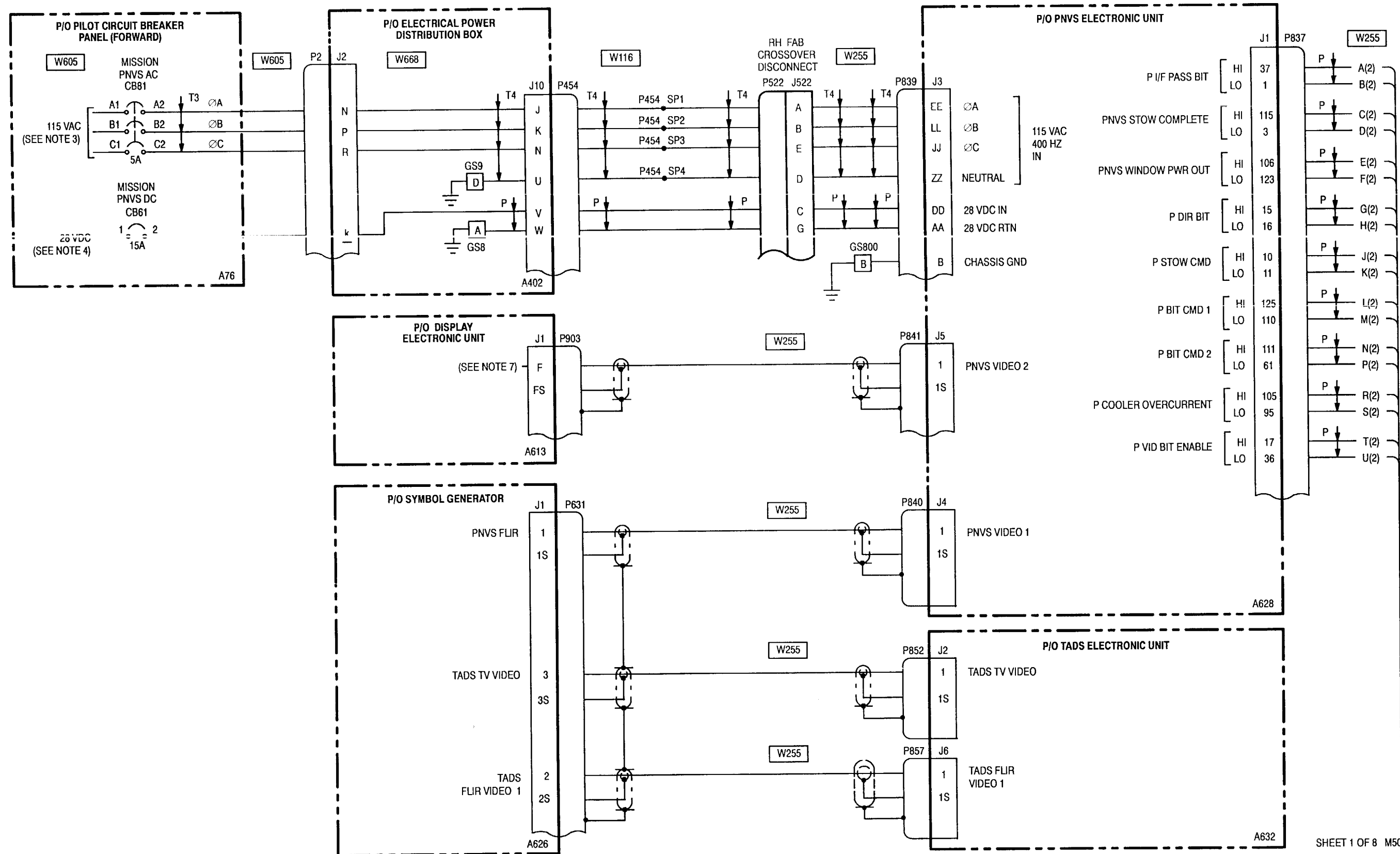
CHAPTER 22. PILOT NIGHT VISION SENSOR (PNVS) SYSTEM WIRING DIAGRAM

CHAPTER OVERVIEW

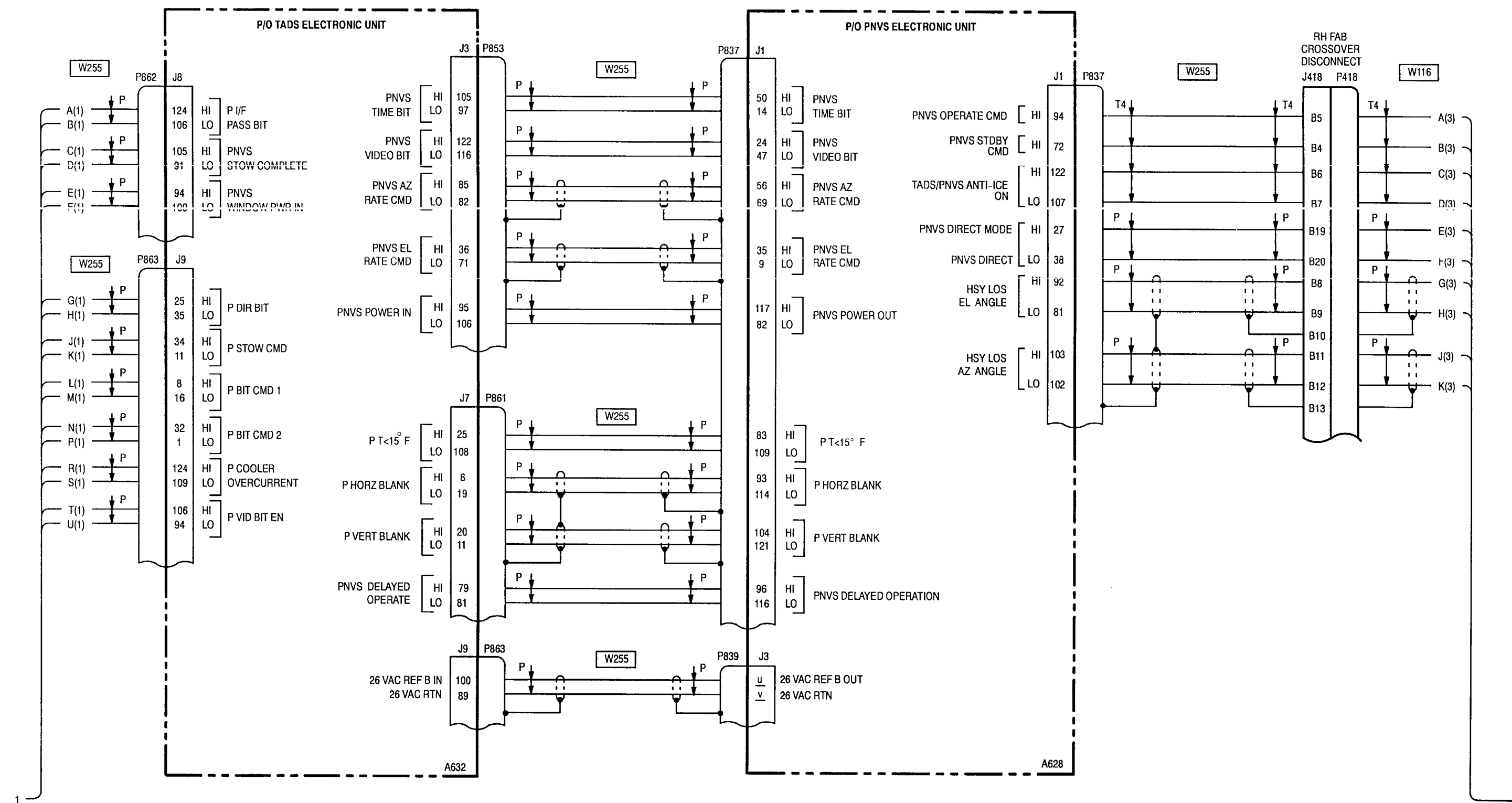
Chapter 22 contains the wiring diagram required for troubleshooting the PNVS system.

<u>Para Title</u>	<u>Para No.</u>
PNVS - Wiring Diagram22-1

22-1. PNVS - WIRING DIAGRAM

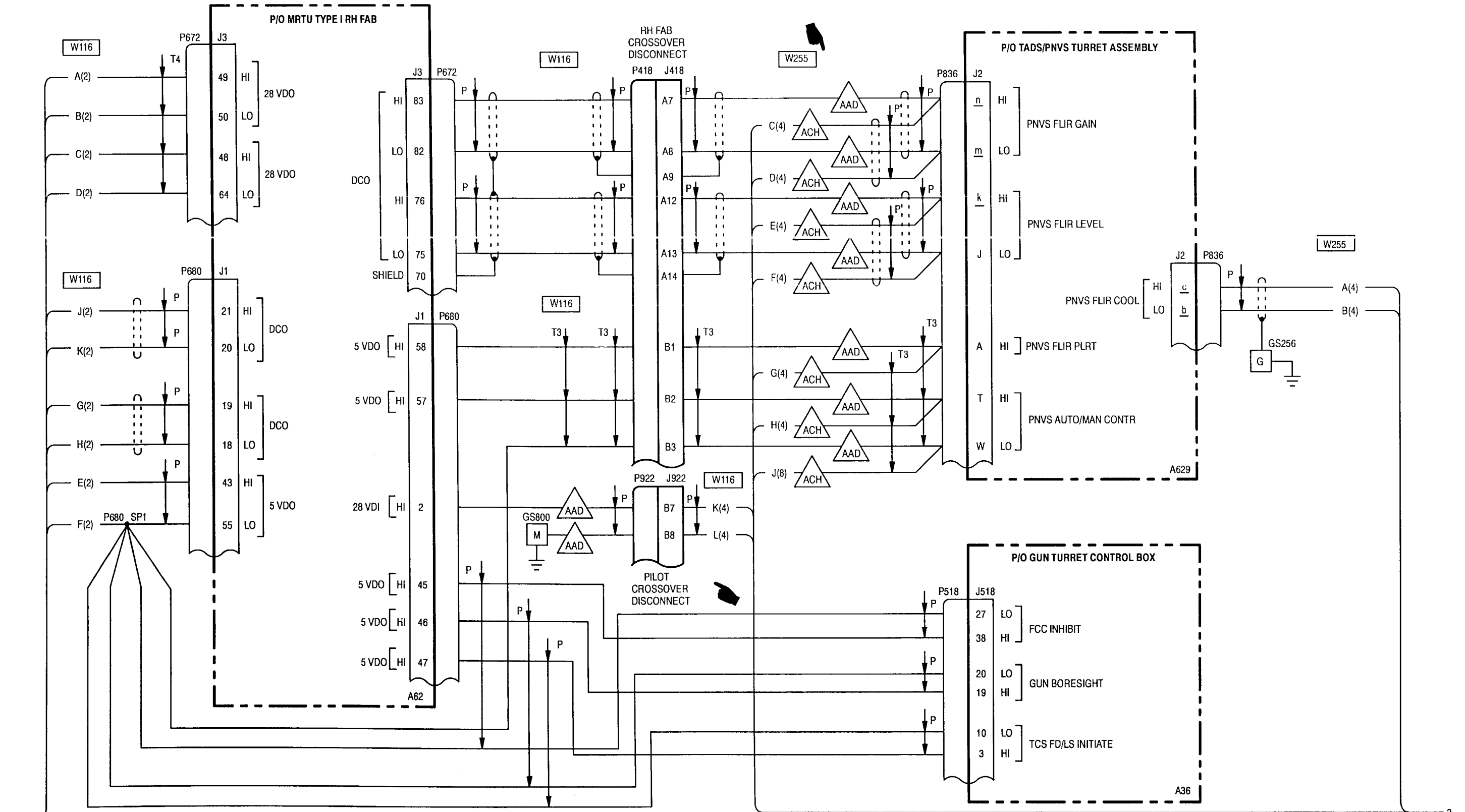


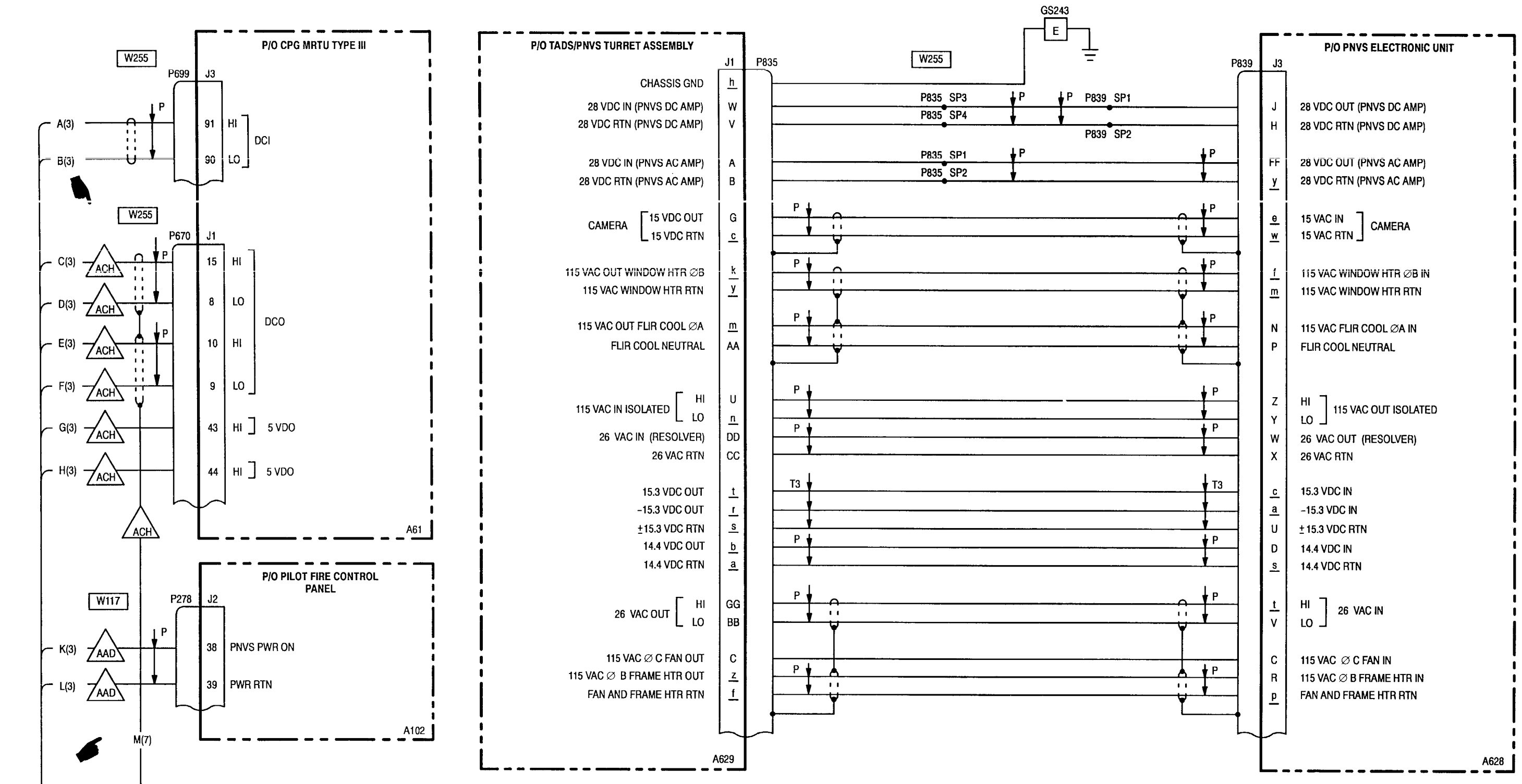
22-1. PNVS - WIRING DIAGRAM (cont)

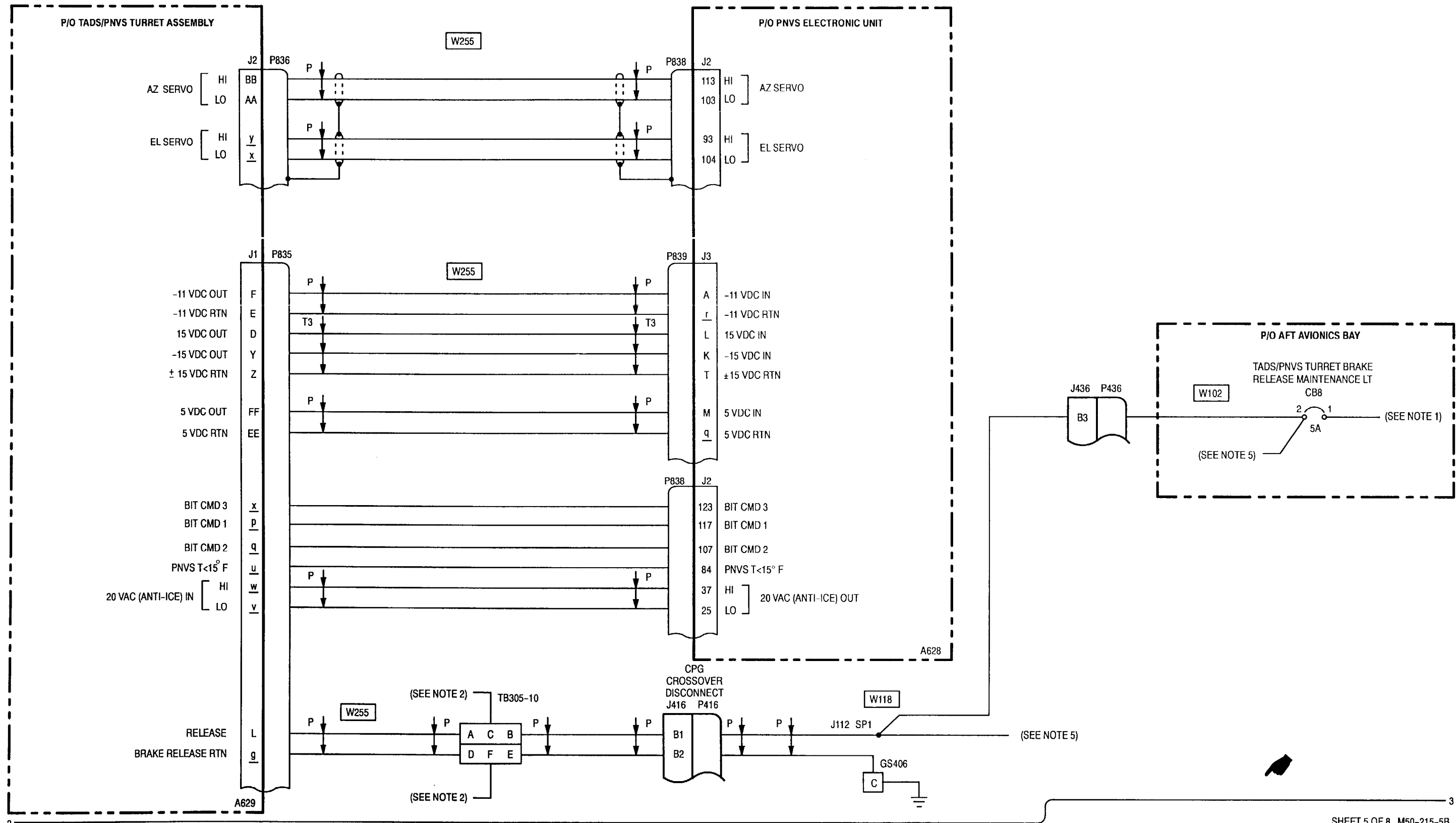


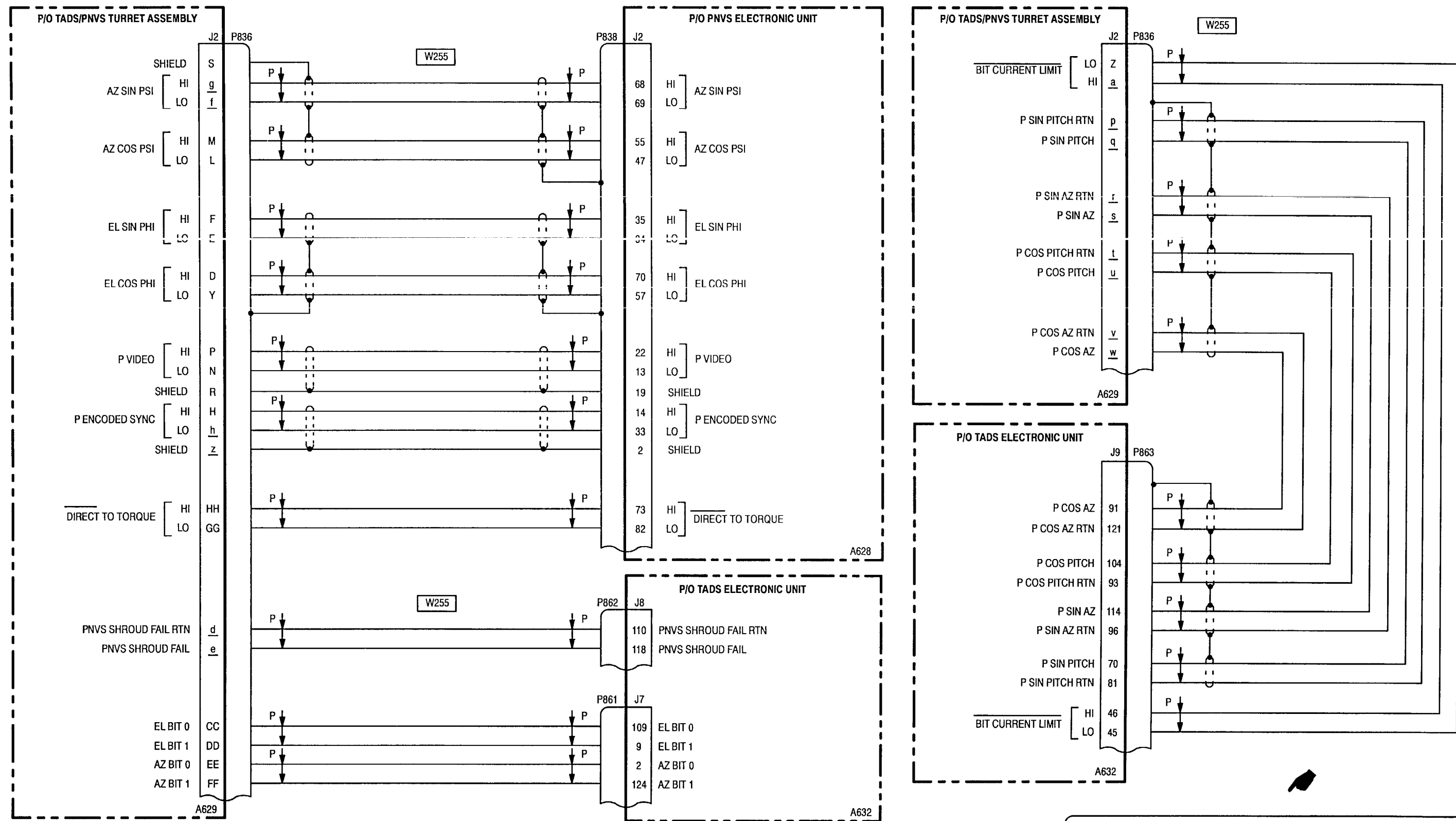
1

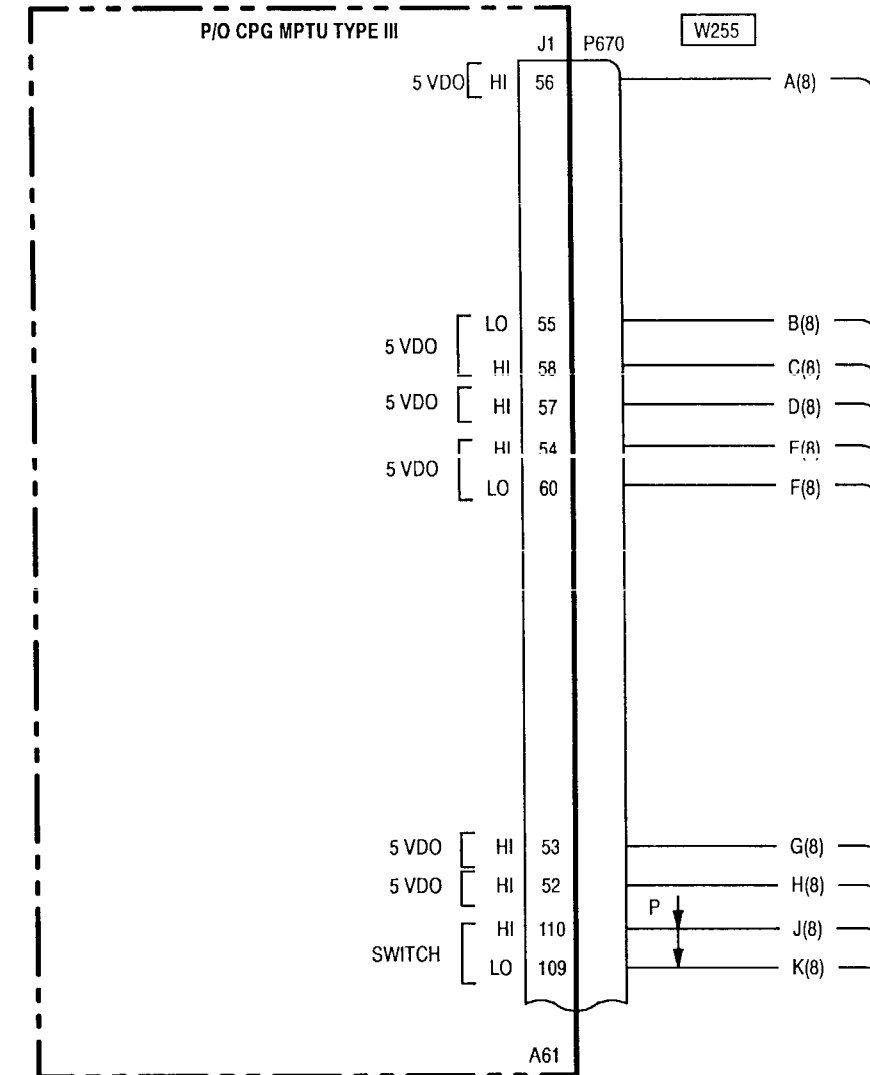
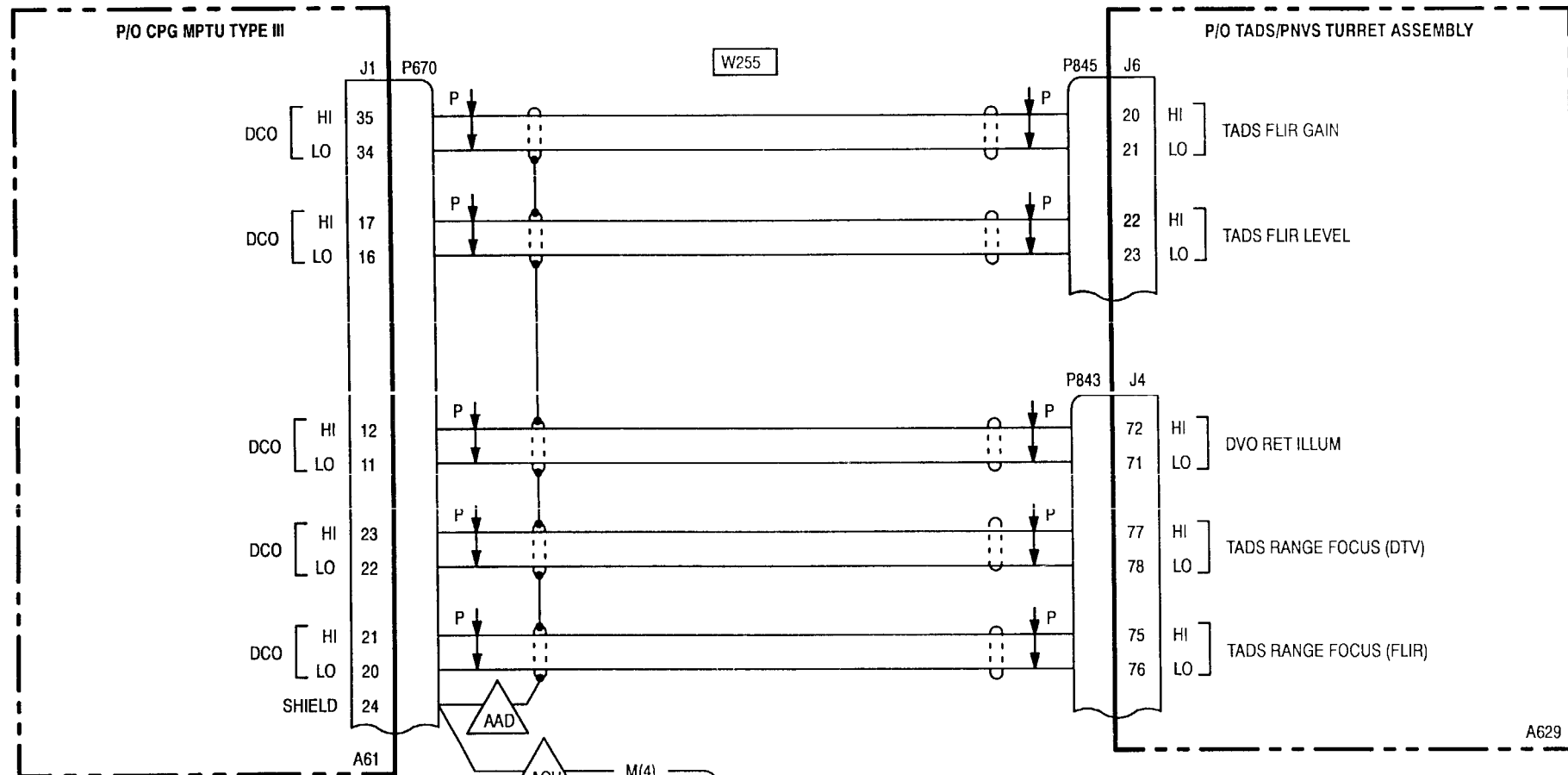
2









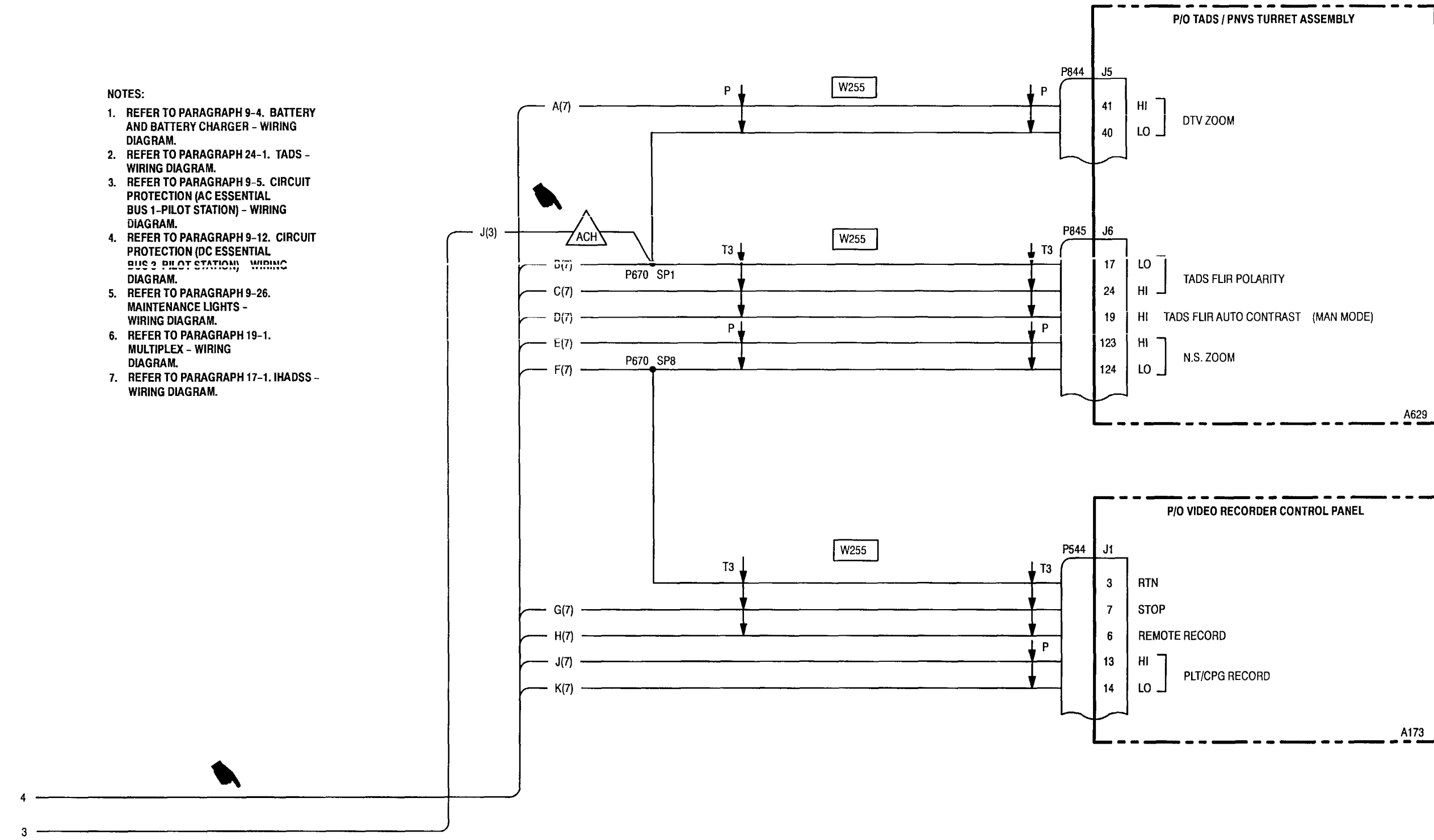


3

4

NOTES:

1. REFER TO PARAGRAPH 9-4. BATTERY AND BATTERY CHARGER - WIRING DIAGRAM.
2. REFER TO PARAGRAPH 24-1. TADS - WIRING DIAGRAM.
3. REFER TO PARAGRAPH 9-5. CIRCUIT PROTECTION (AC ESSENTIAL BUS 1-PILOT STATION) - WIRING DIAGRAM.
4. REFER TO PARAGRAPH 9-12. CIRCUIT PROTECTION (DC ESSENTIAL BUS 2 PILOT STATION) - WIRING DIAGRAM.
5. REFER TO PARAGRAPH 9-26. MAINTENANCE LIGHTS - WIRING DIAGRAM.
6. REFER TO PARAGRAPH 19-1. MULTIPLEX - WIRING DIAGRAM.
7. REFER TO PARAGRAPH 17-1. IHADSS - WIRING DIAGRAM.

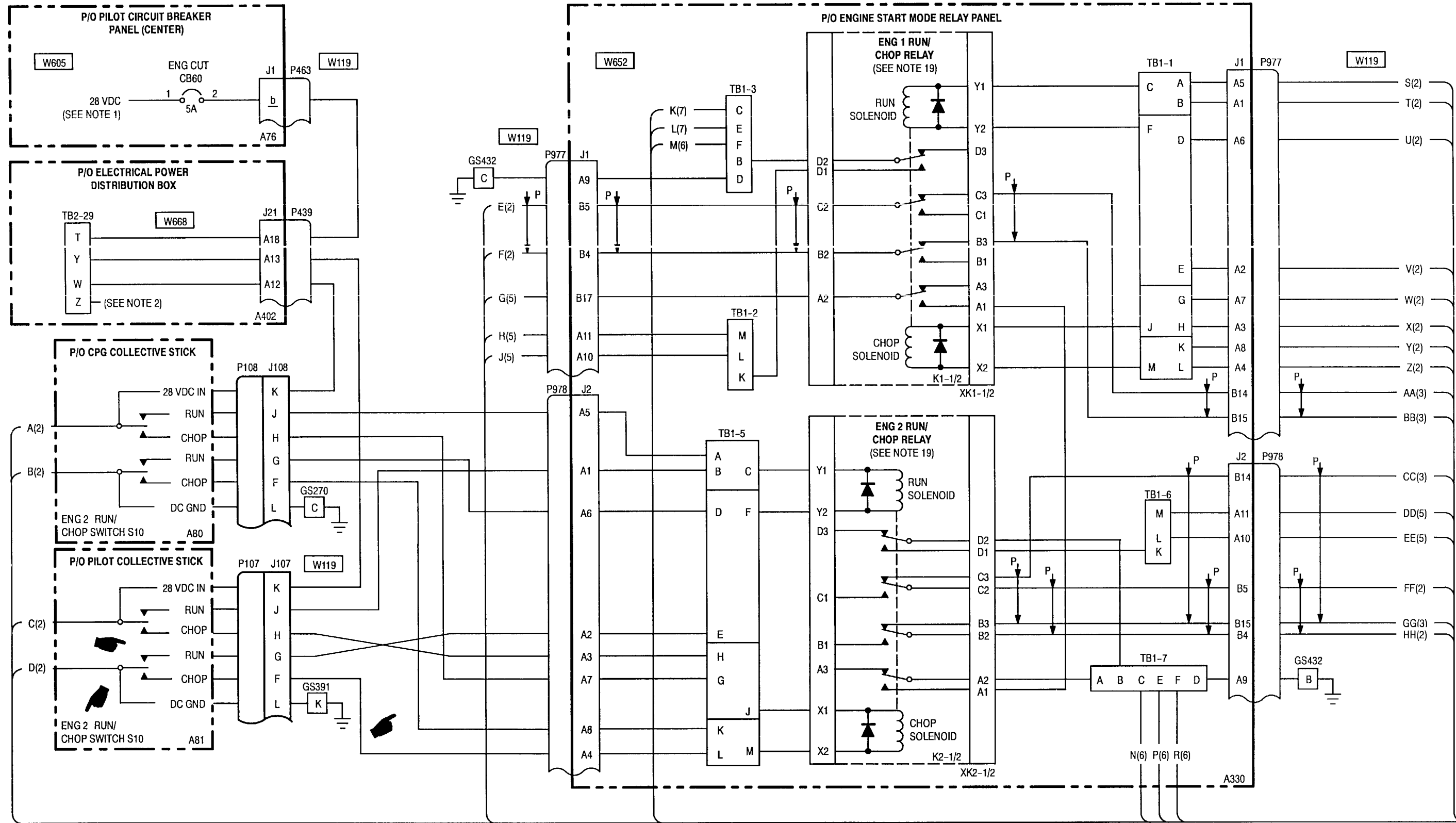


CHAPTER 23. POWER PLANTS WIRING DIAGRAM

CHAPTER OVERVIEW

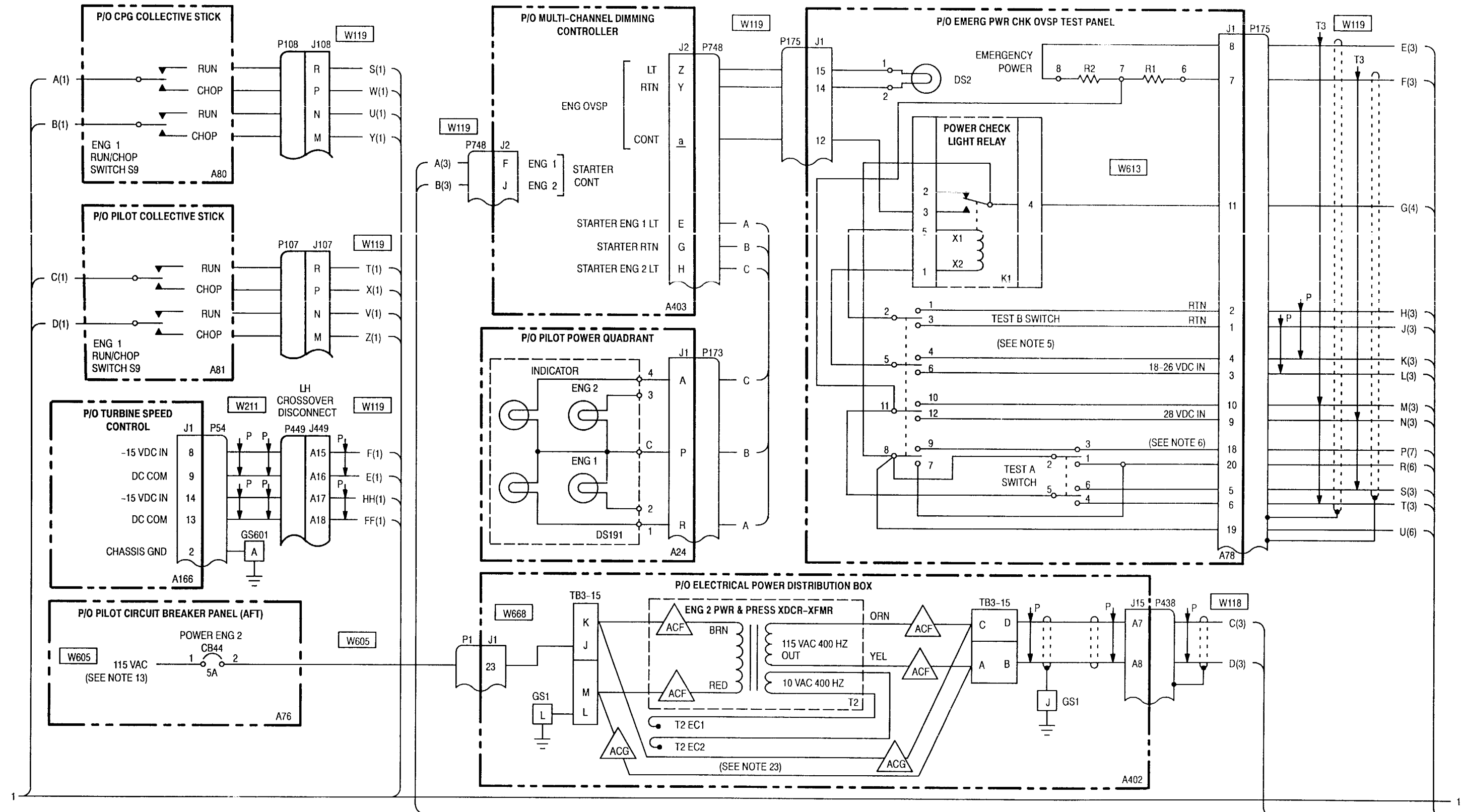
Chapter 23 contains the wiring diagram required for troubleshooting the power plant system.

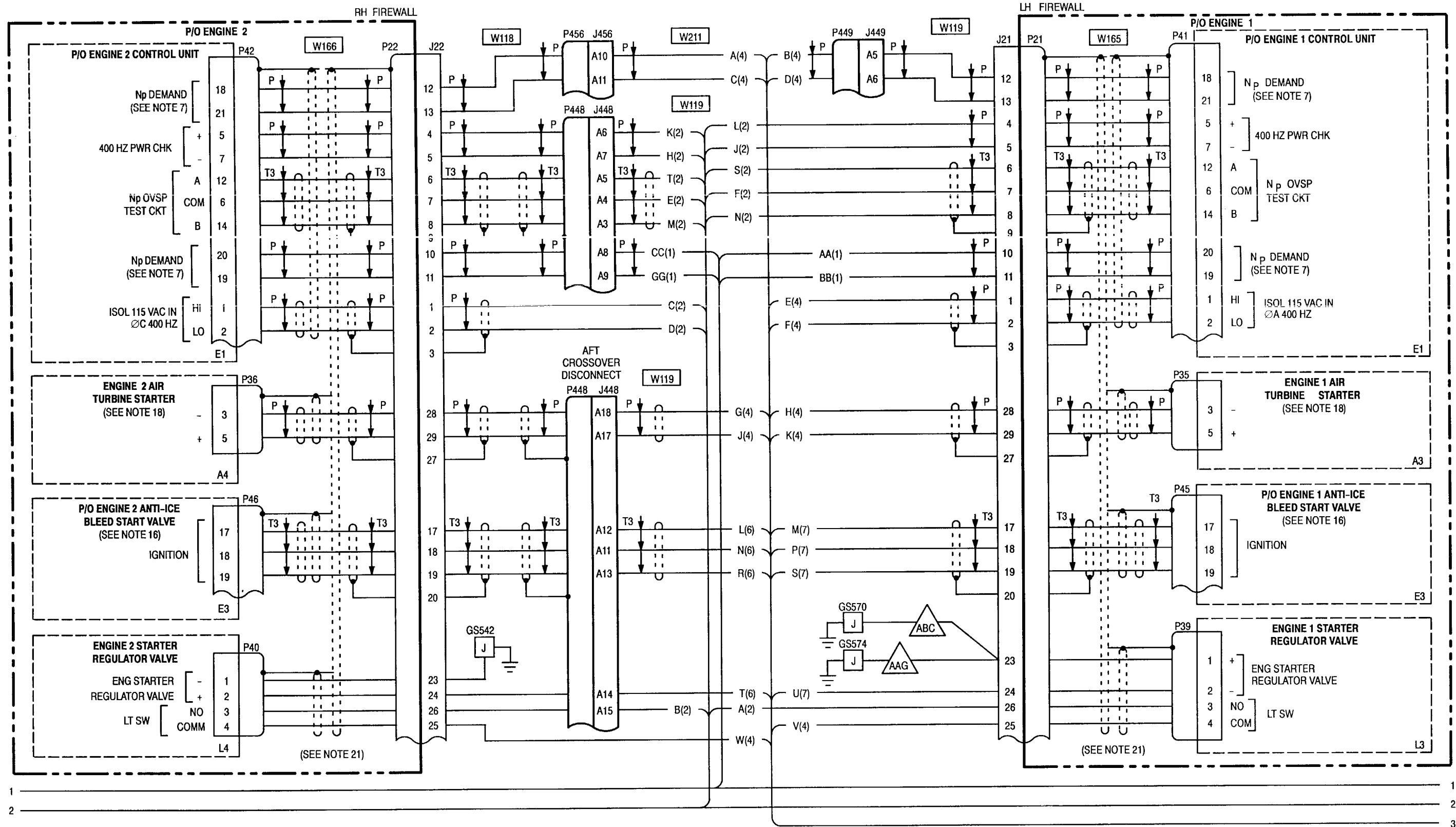
<u>Para Title</u>	<u>Para No.</u>
Power Plants - Wiring Diagram	23-1



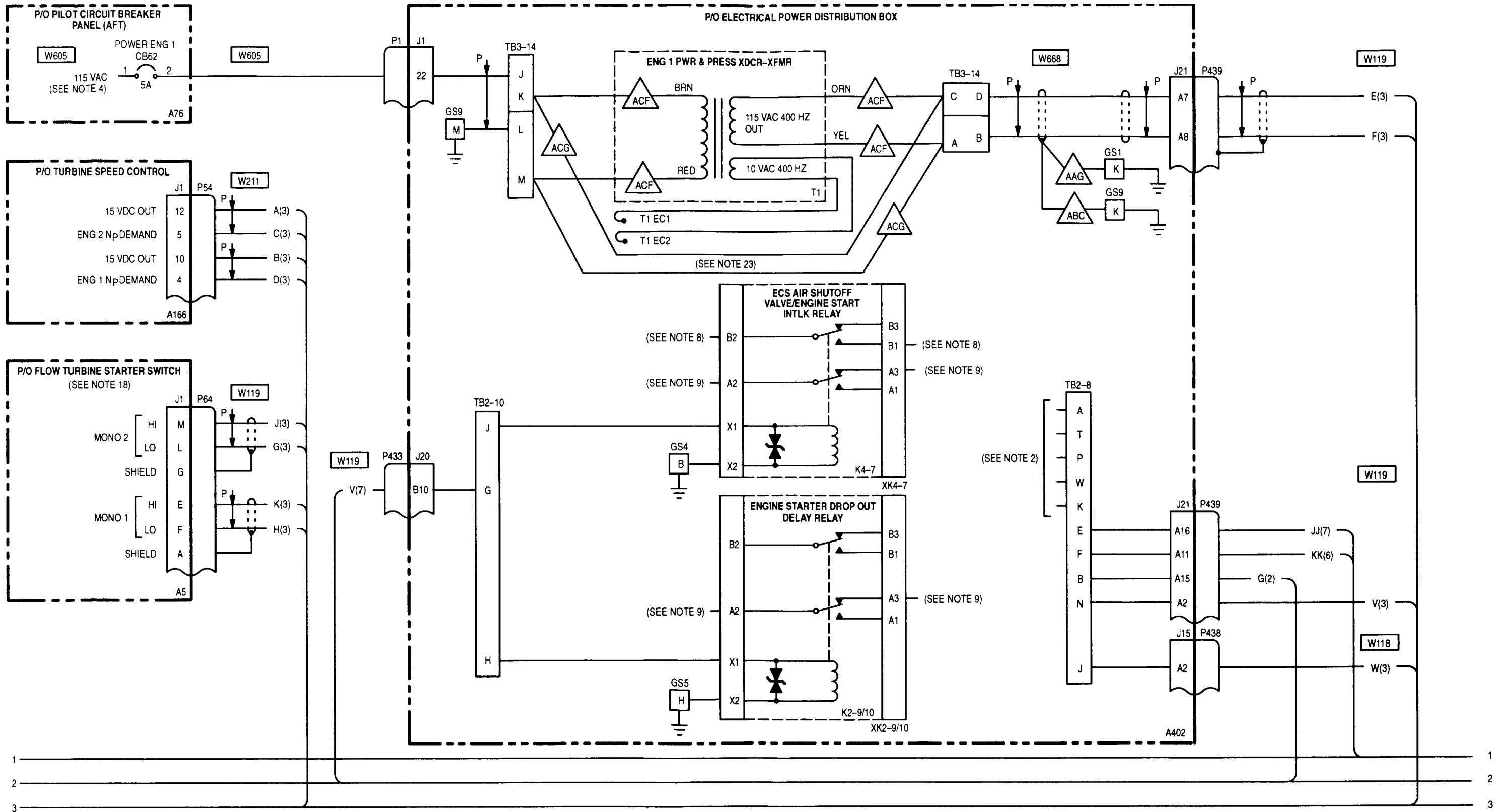
23-1. POWER PLANTS - WIRING DIAGRAM (cont)

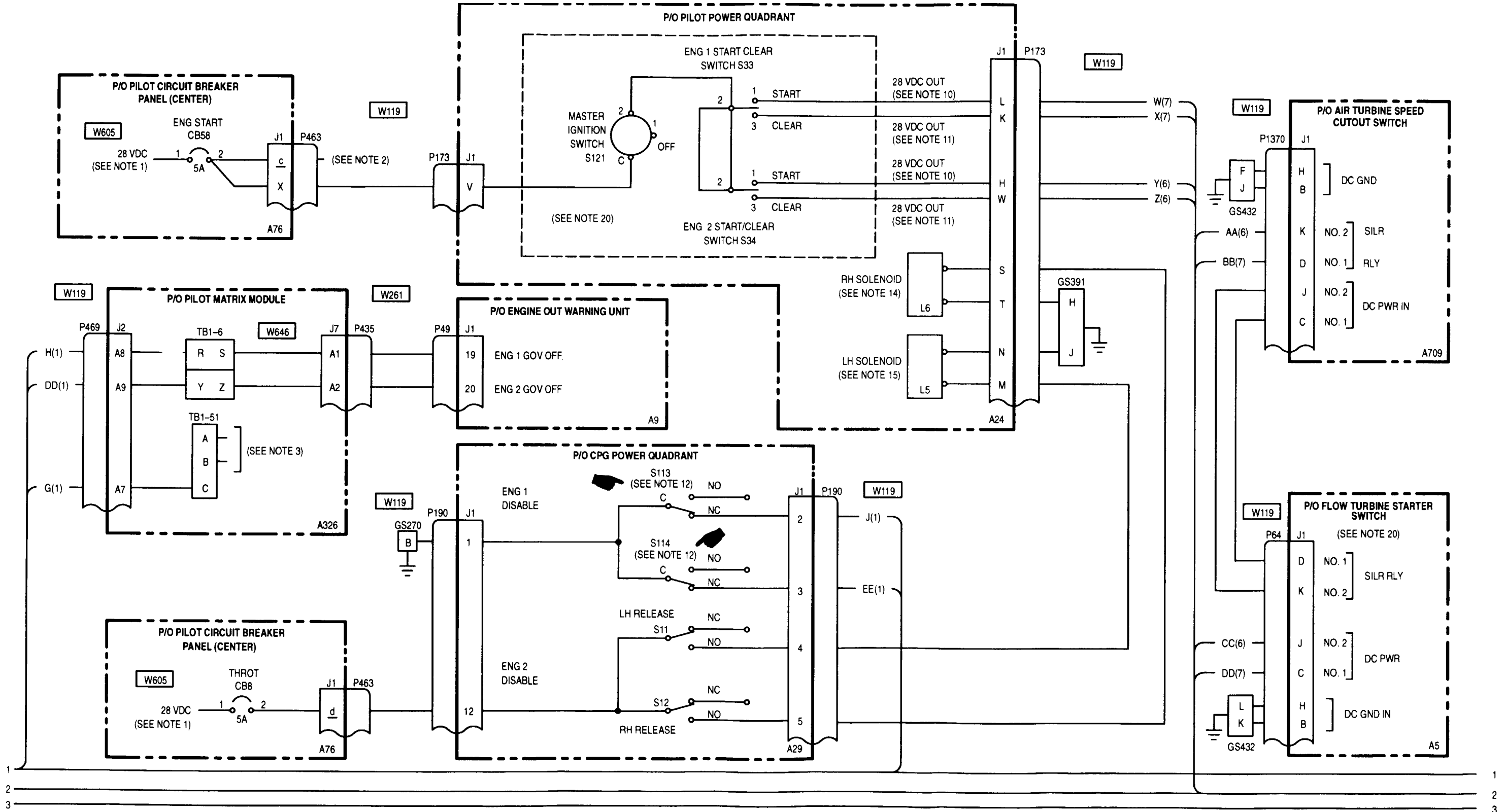
23-1



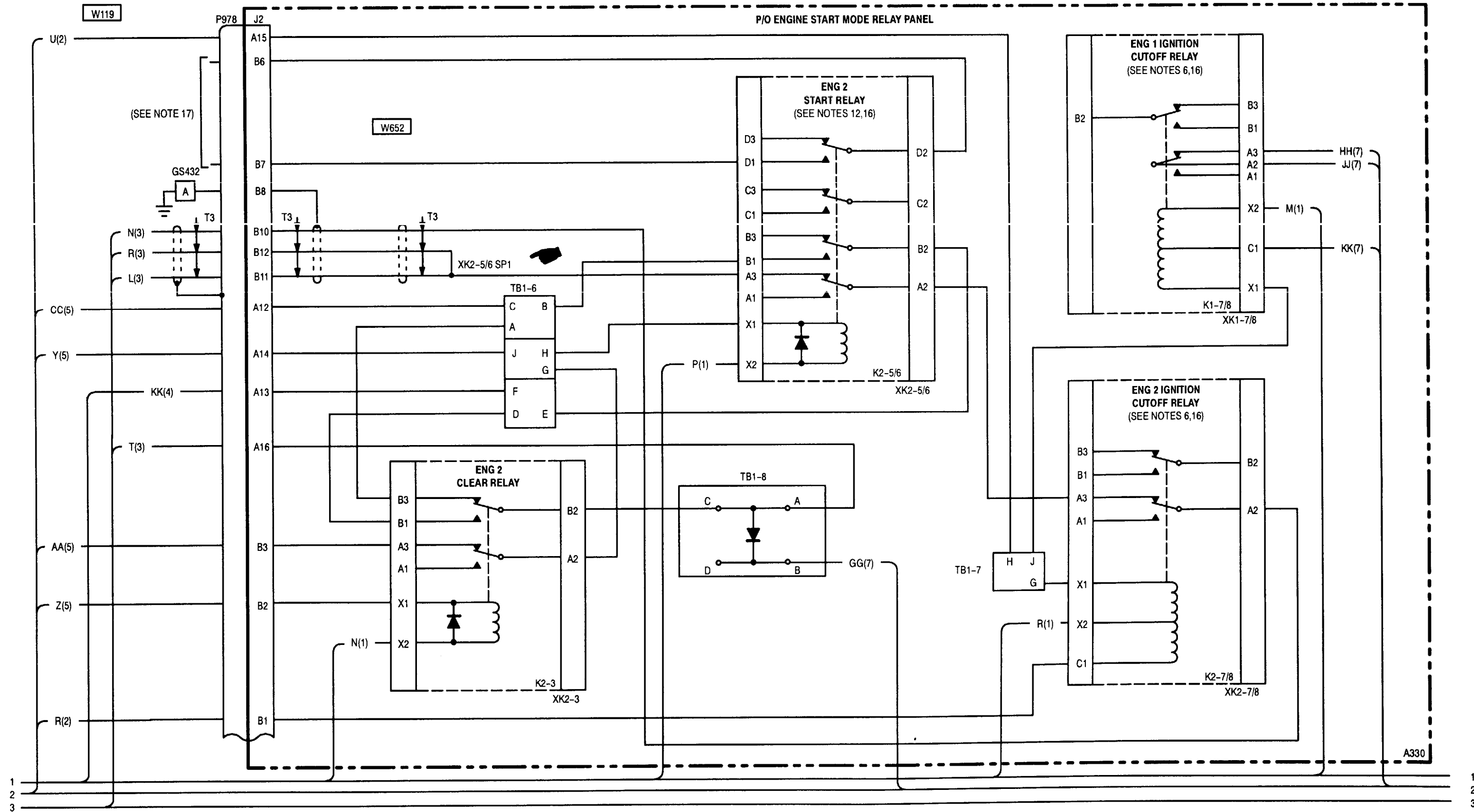


23-1. POWER PLANTS - WIRING DIAGRAM (cont)



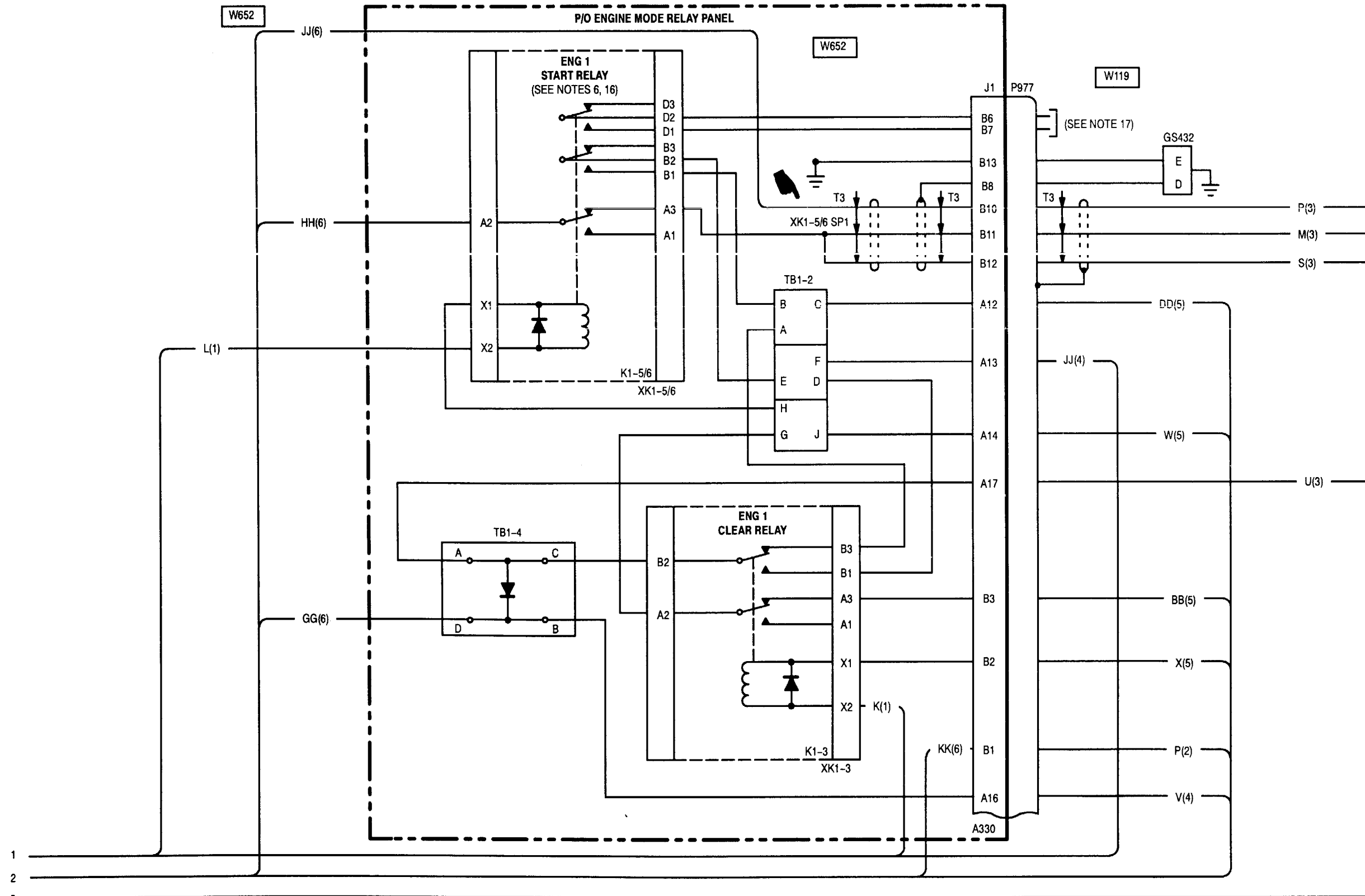


23-1. POWER PLANTS - WIRING DIAGRAM (cont)

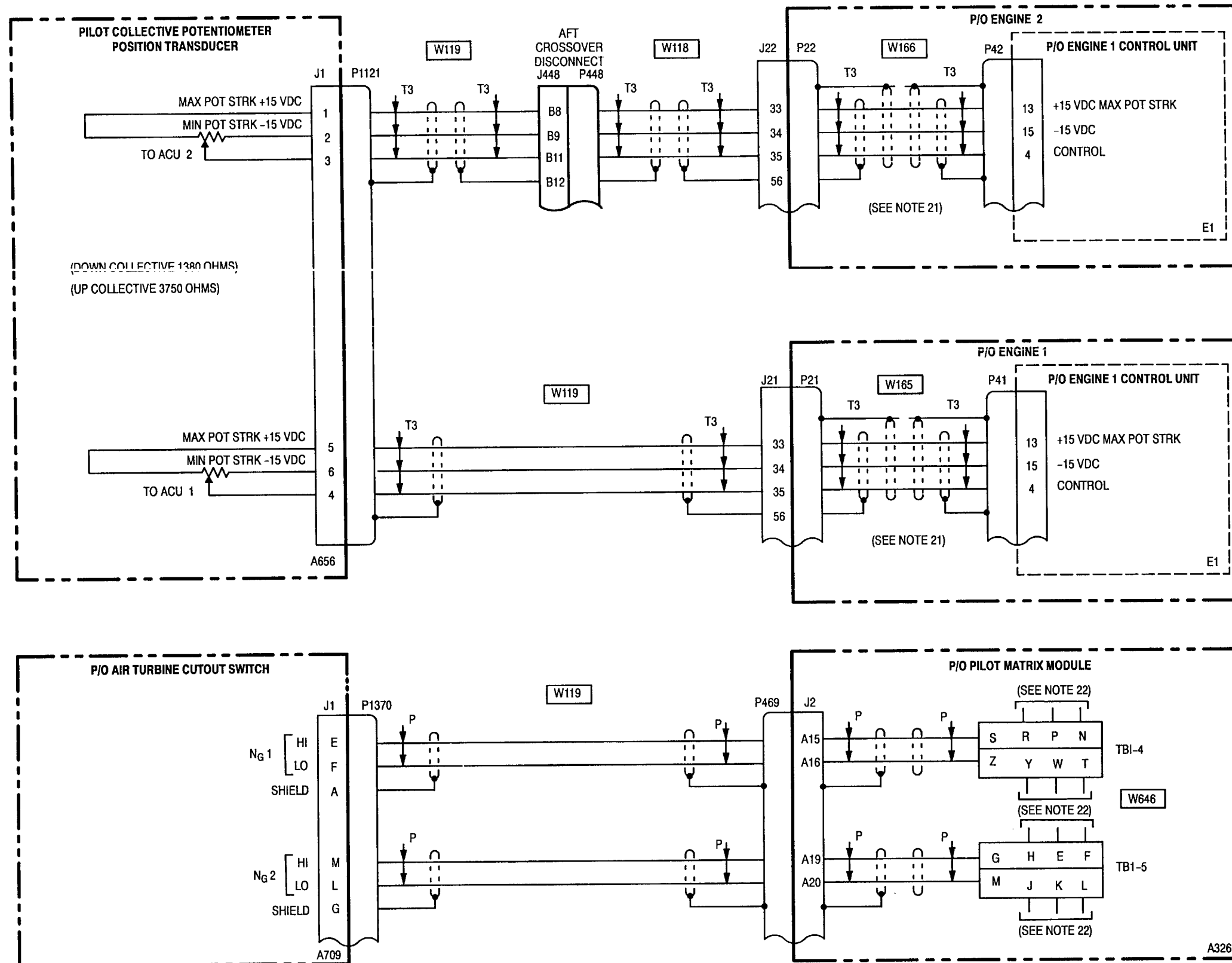


1
2
3

1
2
3



1
2
3



NOTES:

1. REFER TO PARAGRAPH 9-14. CIRCUIT PROTECTION (DC EMERGENCY BUS-PILOT STATION) - WIRING DIAGRAM.
2. REFER TO PARAGRAPH 8-1. DRIVE SYSTEM - WIRING DIAGRAM.
3. REFER TO PARAGRAPH 9-18. CAUTION AND WARNING - WIRING DIAGRAM.
4. REFER TO PARAGRAPH 9-5. CIRCUIT PROTECTION (AC ESSENTIAL BUS 1-PILOT STATION) - WIRING DIAGRAM.
5. FROM ECU-ENERGIZES POWER CHECK LIGHT RELAY, TO APPLY 28 VDC TO MULTI-CHANNEL DIMMING CONTROLLER FOR POWER CHECK INDICATOR.
6. 28 VDC INTO C1 OF ENG 1 OR ENG 2 IGNITION CUTOFF RELAY K1-7/8 ENERGIZES RELAY WHICH ENABLES IGNITION CIRCUIT.
7. **Np DEMAND:**
 PIN 18-20: 2.7 VDC
 PIN 19-20: 0.3 VDC
 PIN 20-21: 0 VDC AT ENGINE SPEED OF 20,900 RPM.
8. REFER TO PARAGRAPH 25-2. ENGINE ANTI-ICE - WIRING DIAGRAM.
9. REFER TO PARAGRAPH 10-1. ENVIRONMENTAL CONTROL SYSTEM (ECS) - WIRING DIAGRAM.
10. 28 VDC OUT WITH MASTER IGNITION SWITCH S121 ON AND ENG NO 1 OR ENG NO 2 START SWITCH S33 OR S34 AT START POSITION.
11. 28 VDC OUT WITH MASTER IGNITION SWITCH S121 ON AND ENG NO 1 START SWITCH, S33 IN IGNITION OVERRIDE POSITION. NORMALLY OPEN IN FLY POSITION.
12. REFER TO PARAGRAPH 9-7. CIRCUIT PROTECTION (AC ESSENTIAL BUS 2-PILOT STATION) - WIRING DIAGRAM.
13. ENG 2 POWER LEVER IDLE AND LOCKOUT STOPS, WHEN ACTUATED BY CPG STOP RELEASE LEVER ON POWER LEVER.
14. ENG 1 POWER LEVER IDLE AND LOCKOUT STOPS, WHEN ACTUATED BY CPG STOP RELEASE LEVER ON POWER LEVER.
15. ENG 1 IGNITION SYSTEM IS DISABLED BY SHORTING J1-B10 TO J1-B11 (THRU CONTACTS ON ENG 1 START RELAY K1-5/6 AND ENG 1 IGNITION CUTOFF RELAY K1-7/8).
16. ENG 2 IGNITION SYSTEM IS DISABLED BY SHORTING J2-B10 TO J2-B11 (THRU CONTACTS ON ENG 2 START RELAY K2-5/6 AND ENG 2 IGNITION CUTOFF RELAY K1-7/8).
17. REFER TO PARAGRAPH 13-2. FUEL CROSSFEED/BOOST - WIRING DIAGRAM.
18. SIGNAL AT STARTER SPEED OF 15,000 - 16,000 RPM CAUSES FLOW TURBINE STARTER SWITCH A5 TO DEACTIVATE START CIRCUIT (REMOVES SILR 28 VDC OUTPUTS - NOTE 20).
19. HAS DETENTS AT RUN AND CHOP POSITIONS; REMAINS AT LAST SELECTED DETENT POSITION.
20. IN AUTO START SEQUENCE, FLOW TURBINE STARTER SWITCH A5 PROVIDES SILR RELAY 28 VDC OUTPUTS TO HOLD ENG START RELAY K1-5/6 OR K2-5/6 CLOSED AFTER START SWITCH S33 OR S34 IS RELEASED.
21. HELICOPTERS WITH 700-GE-701C ENGINES INSTALLED ARE EQUIPPED WITH EMI SHIELDING.
22. REFER TO PARAGRAPH 18-1. ENGINE INSTRUMENTS - WIRING DIAGRAM.
- 23.



BEFORE MWO 1-1520-238-50-29.



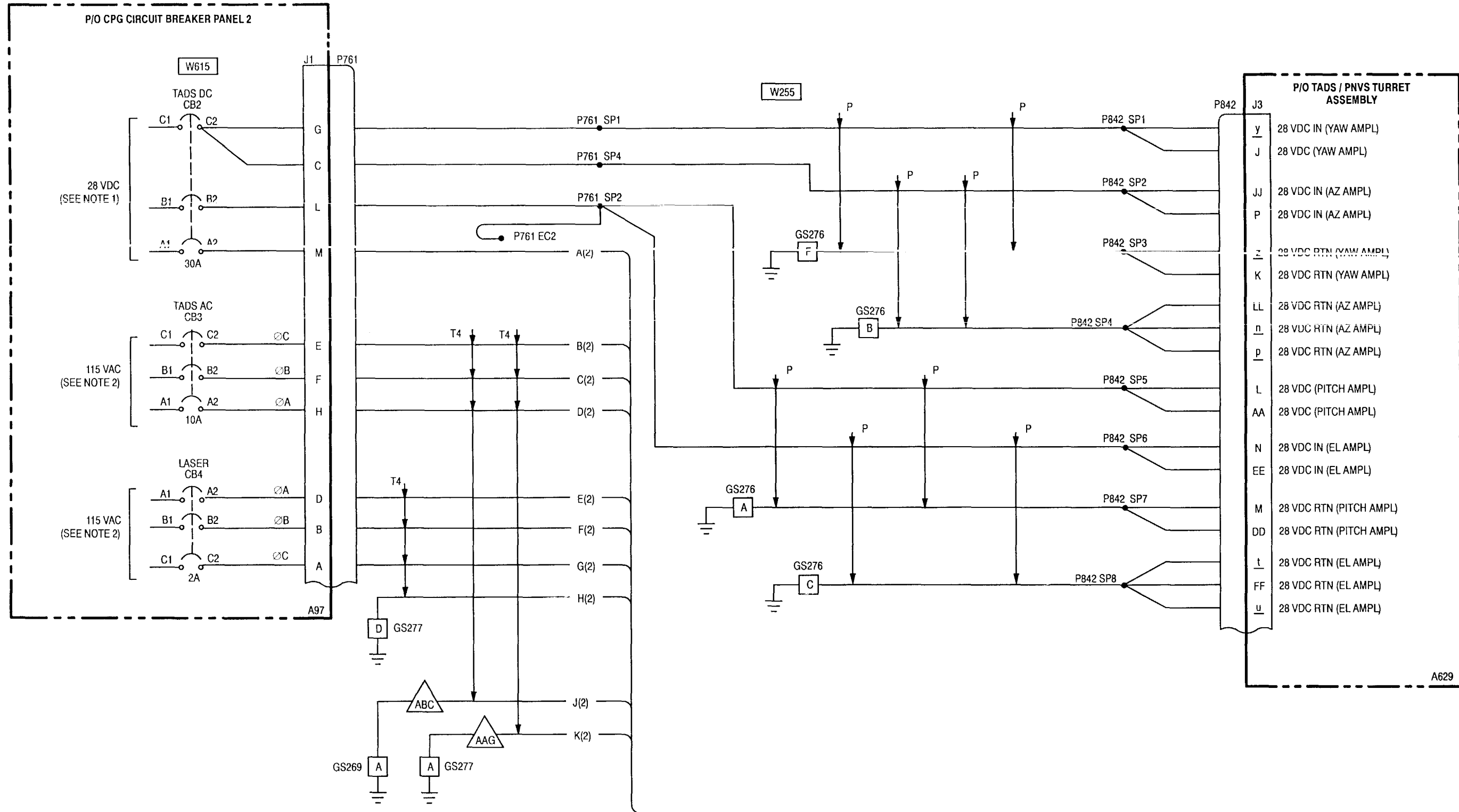
AFTER MWO 1-1520-238-50-29.

CHAPTER 24. TARGET ACQUISITION DESIGNATION SIGHT (TADS) SYSTEM WIRING DIAGRAM

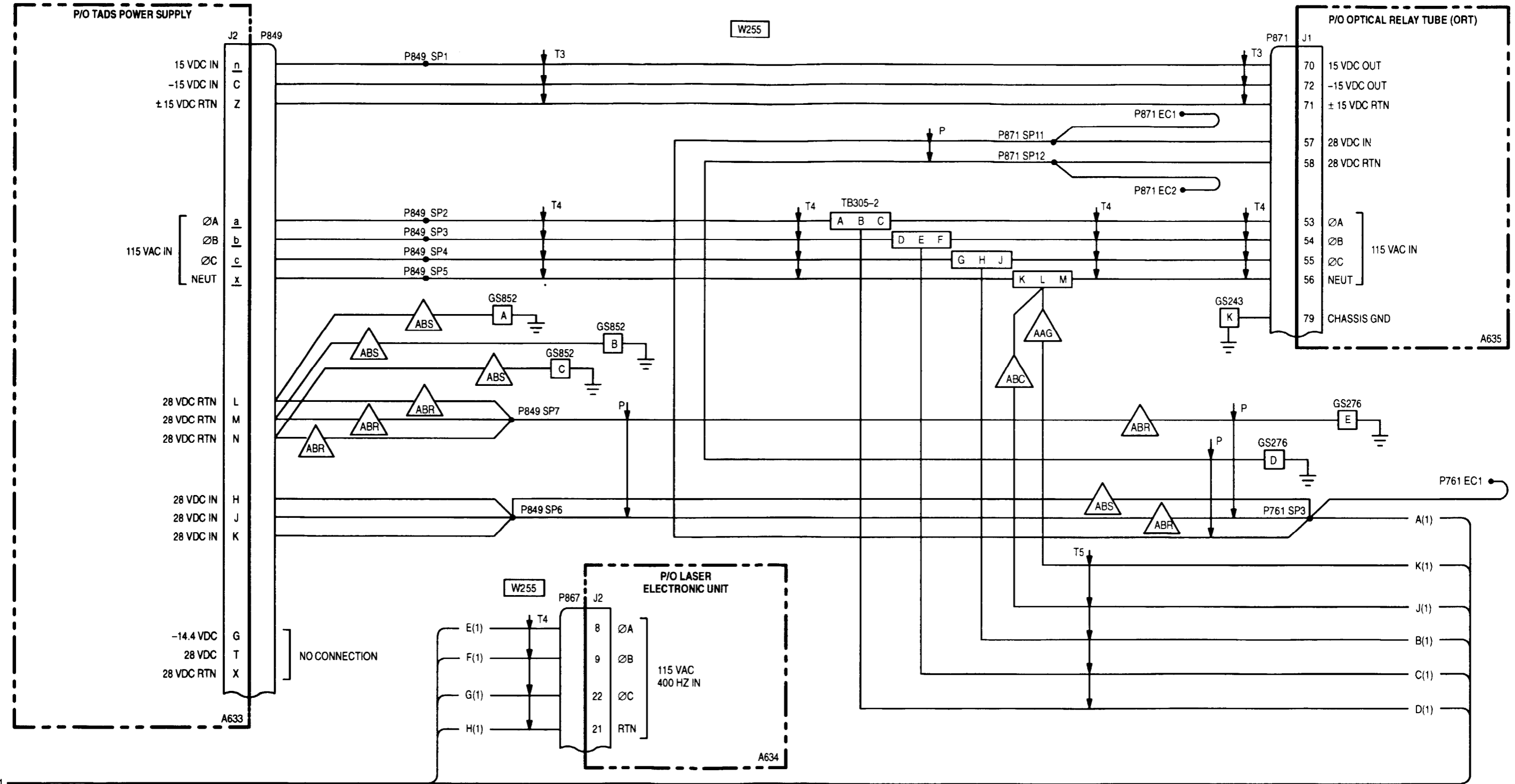
CHAPTER OVERVIEW

Chapter 24 contains the wiring diagram required for troubleshooting the TADS system.

<u>Para Title</u>	<u>Para No.</u>
TADS - Wiring Diagram	24-1

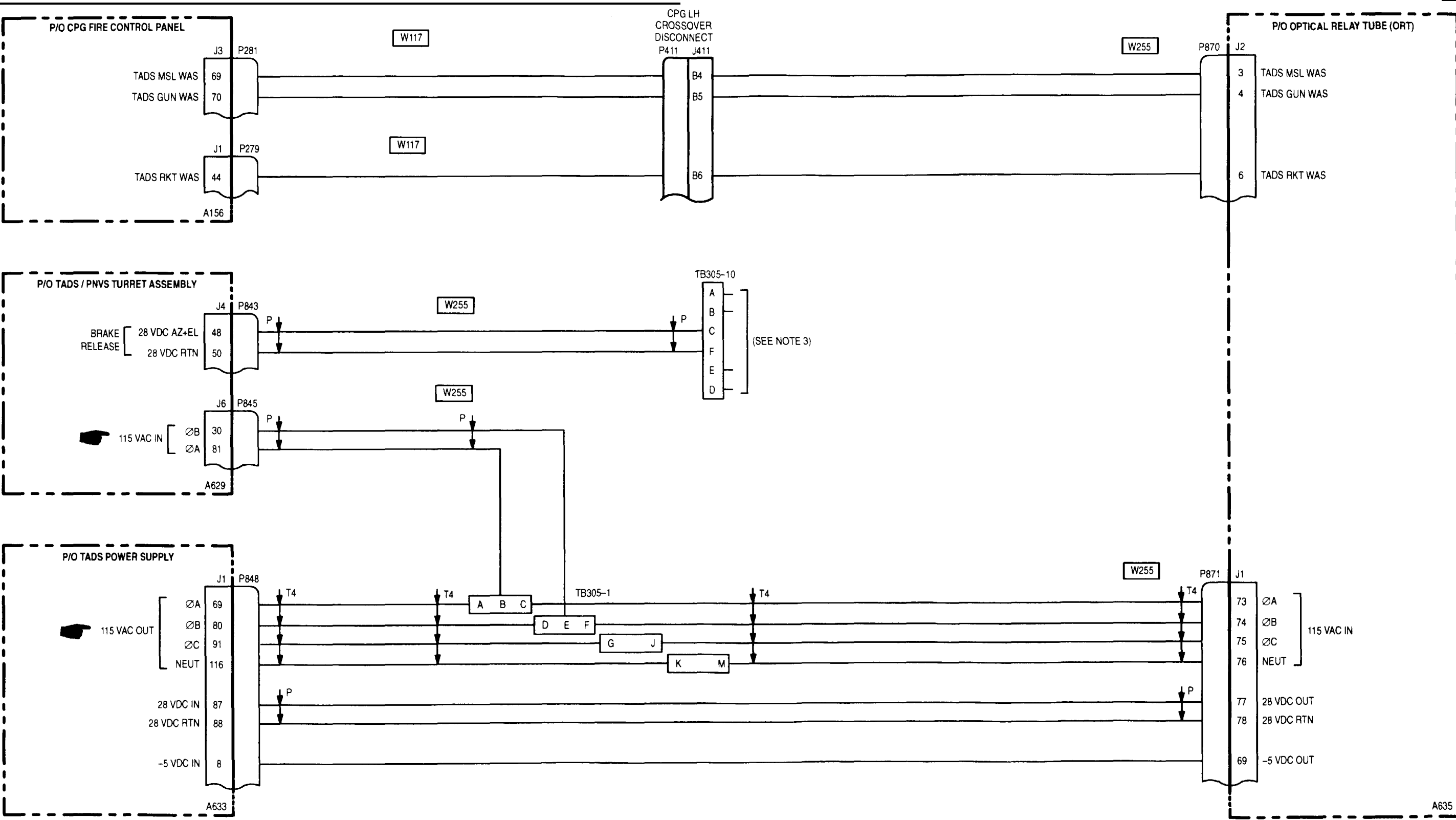


24-1. TADS - WIRING DIAGRAM (cont)



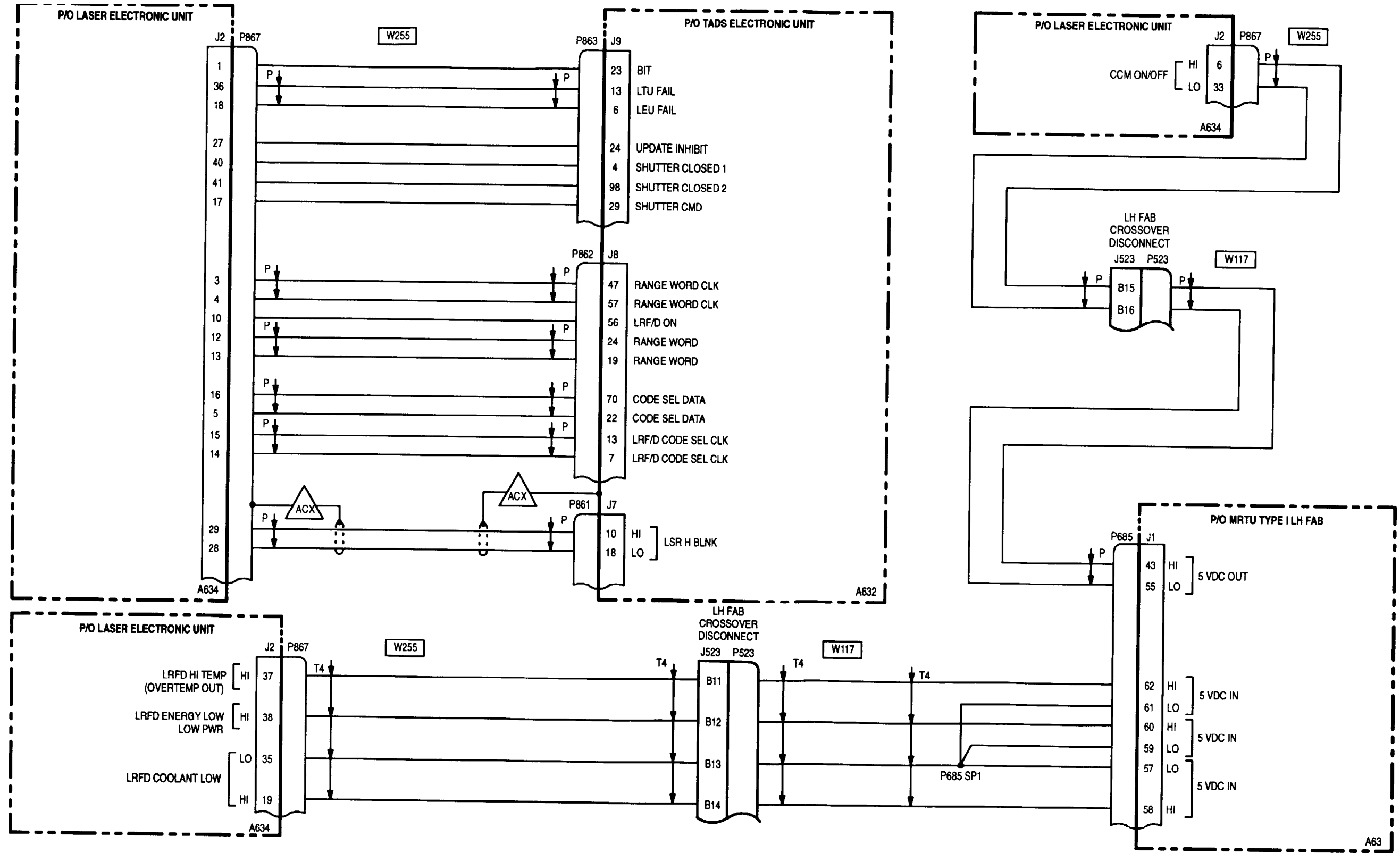
1

24-1. TADS - WIRING DIAGRAM (cont)

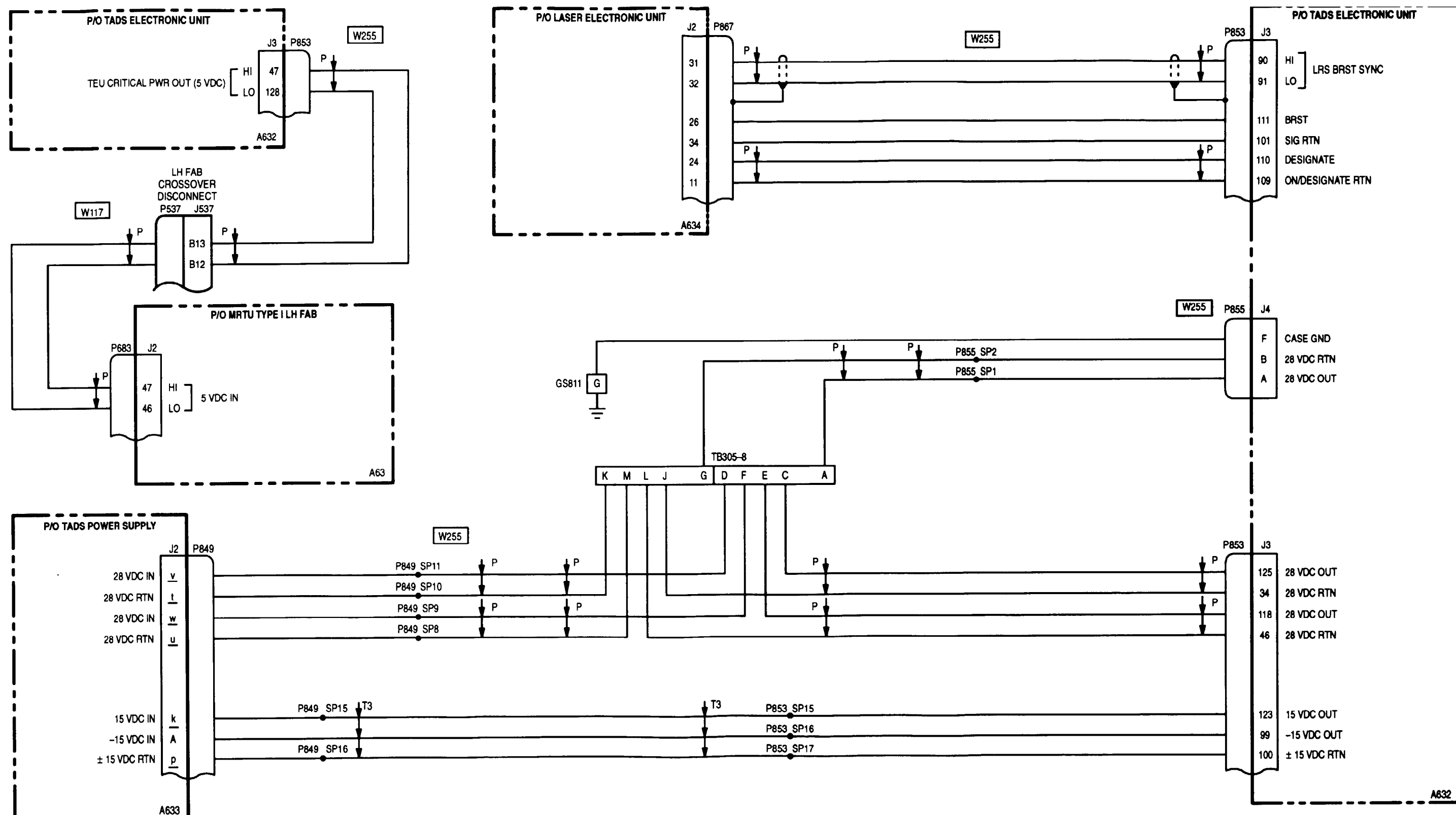


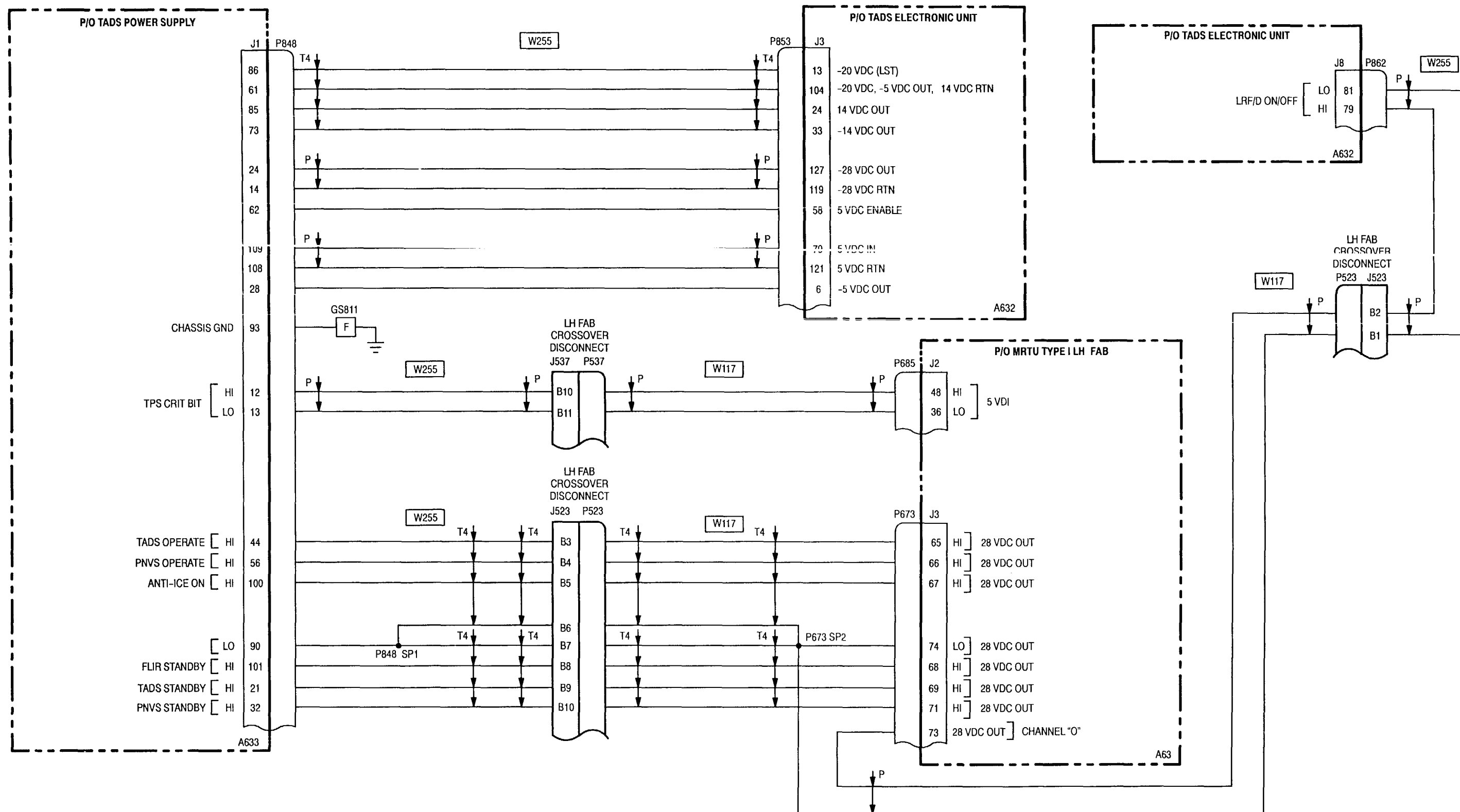
24-1. TADS - WIRING DIAGRAMS (cont)

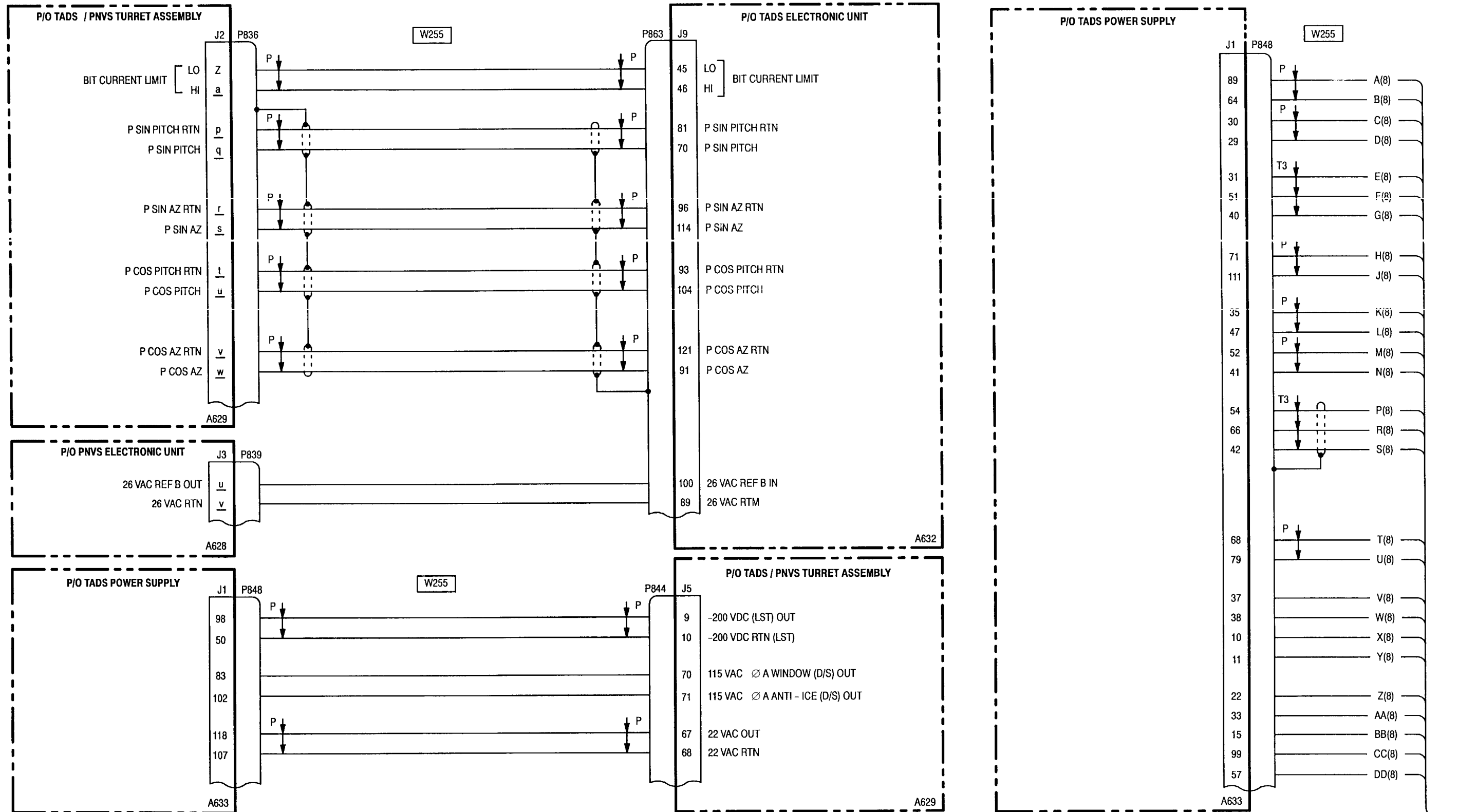
24-1



24-1. TADS -WIRING DIAGRAM (cont)

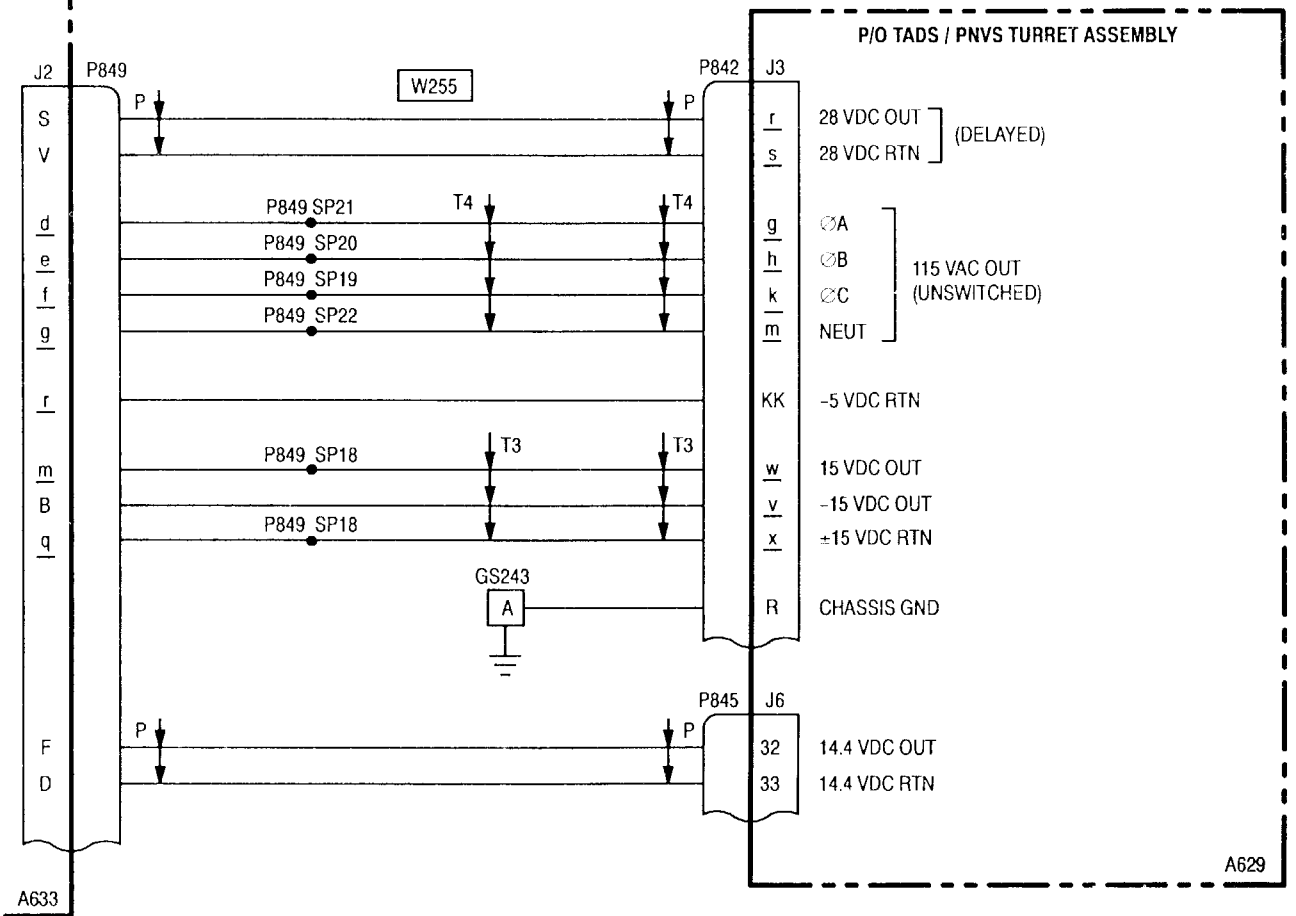
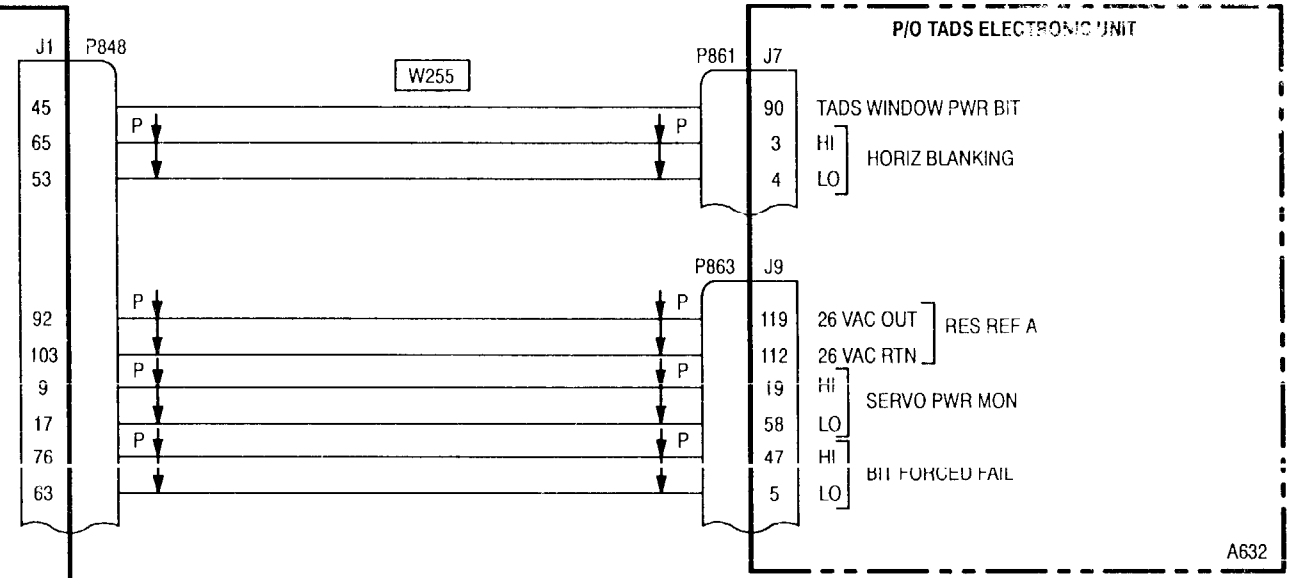
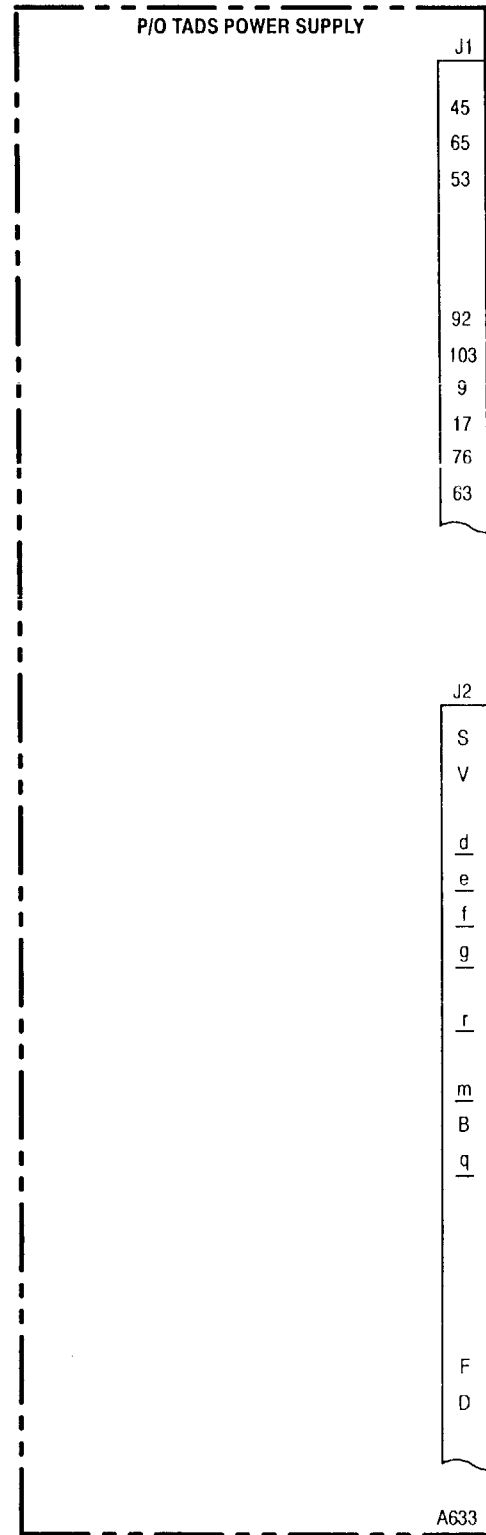
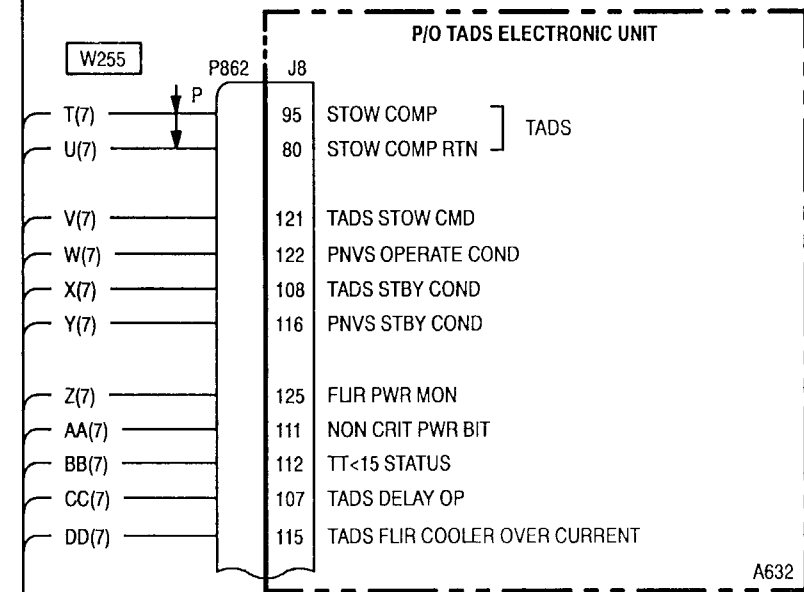
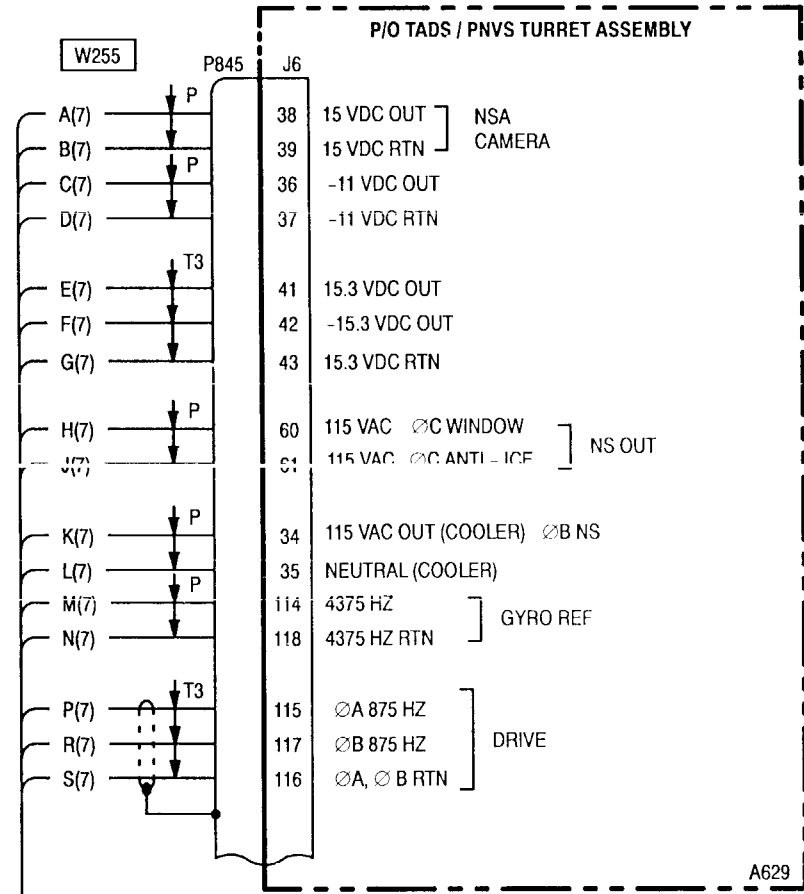




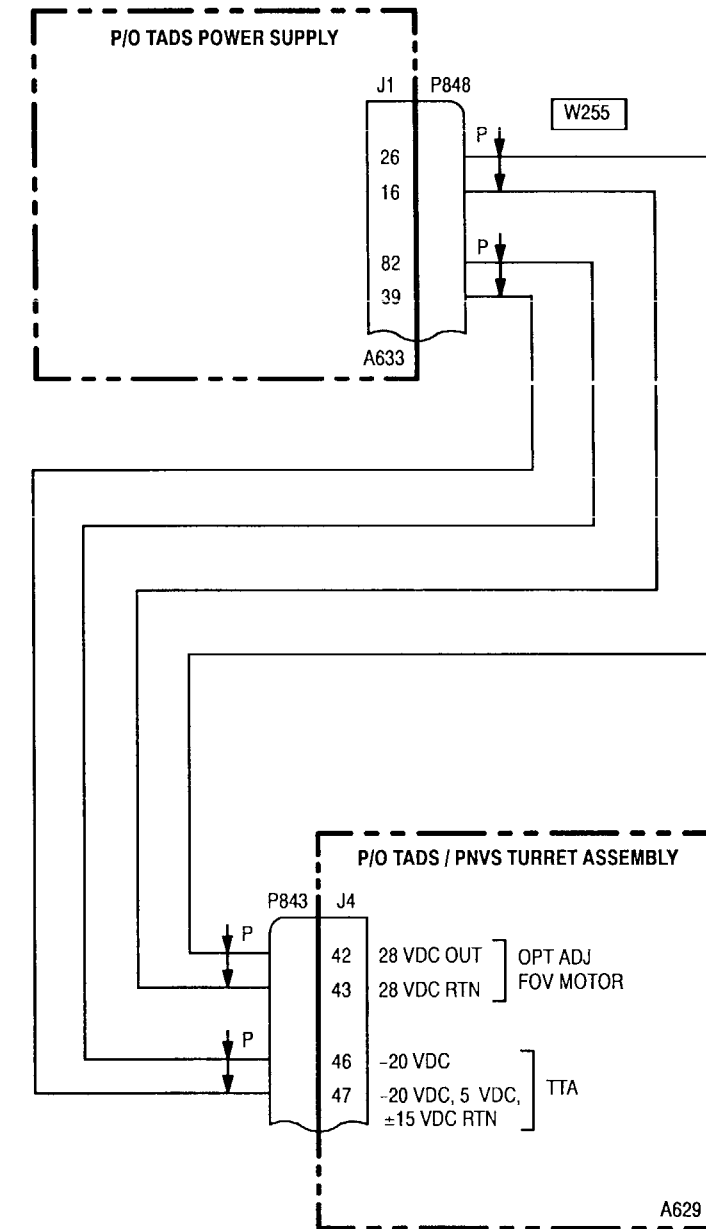
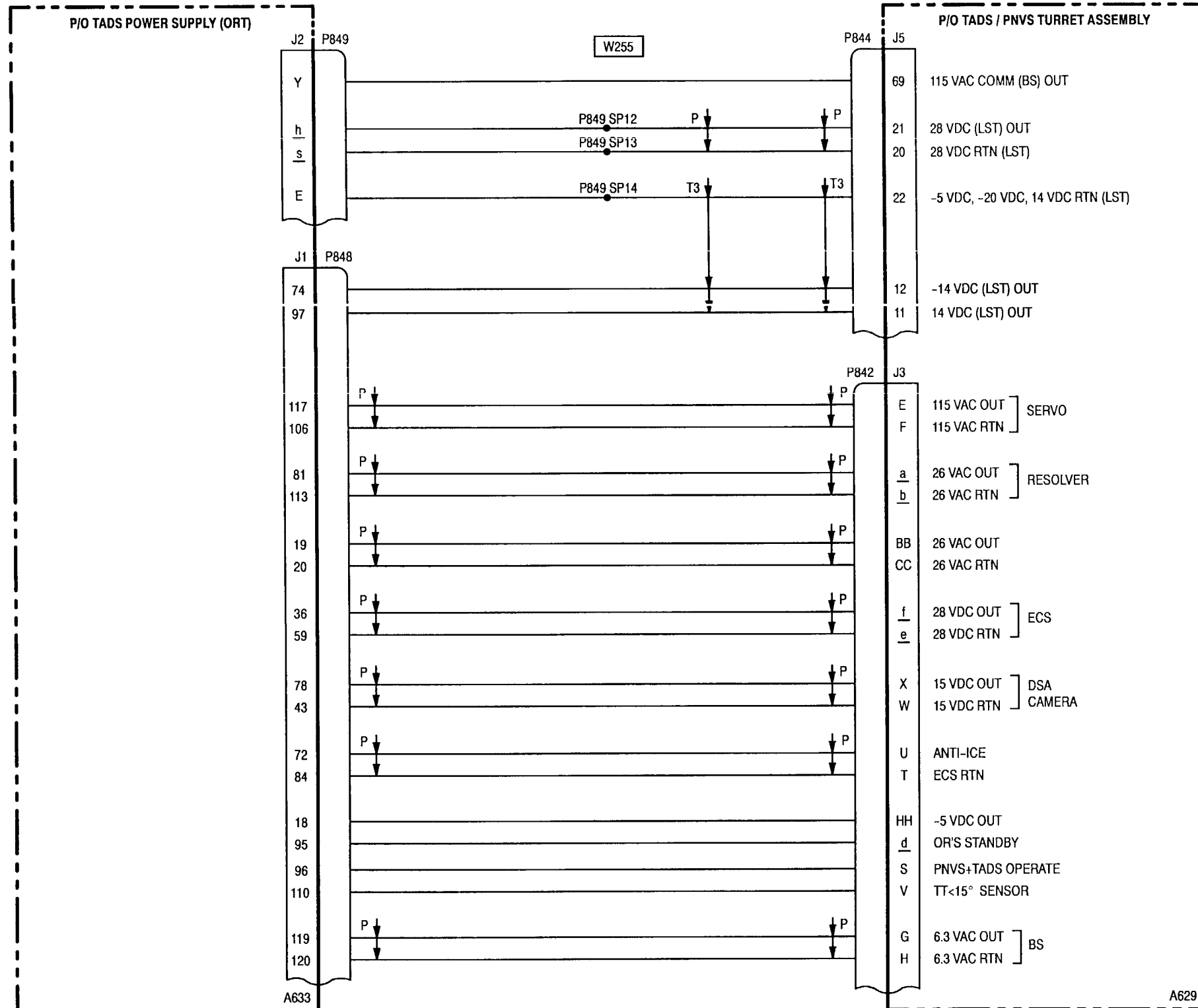


24-1. TADS - WIRING DIAGRAM (cont)

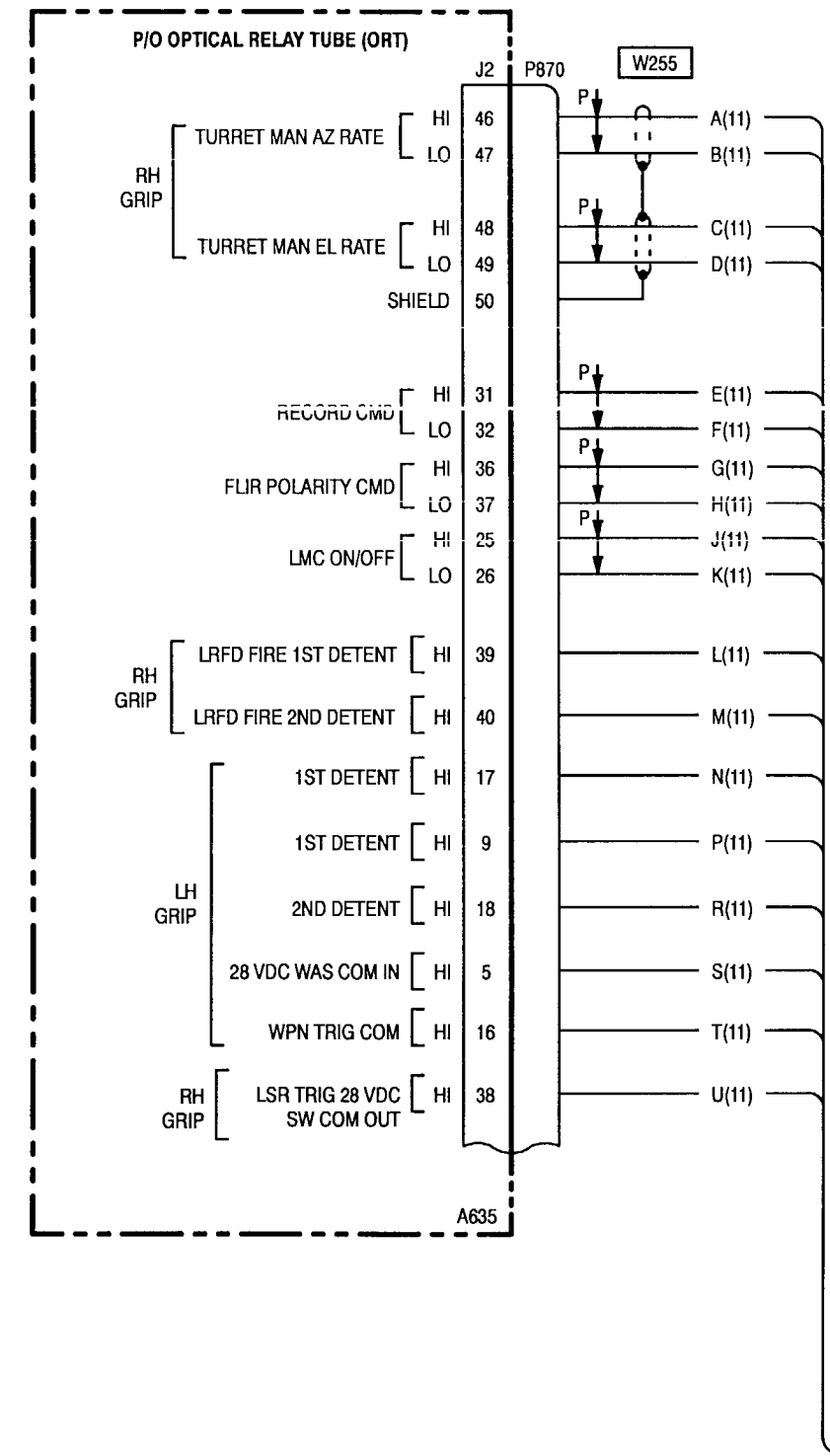
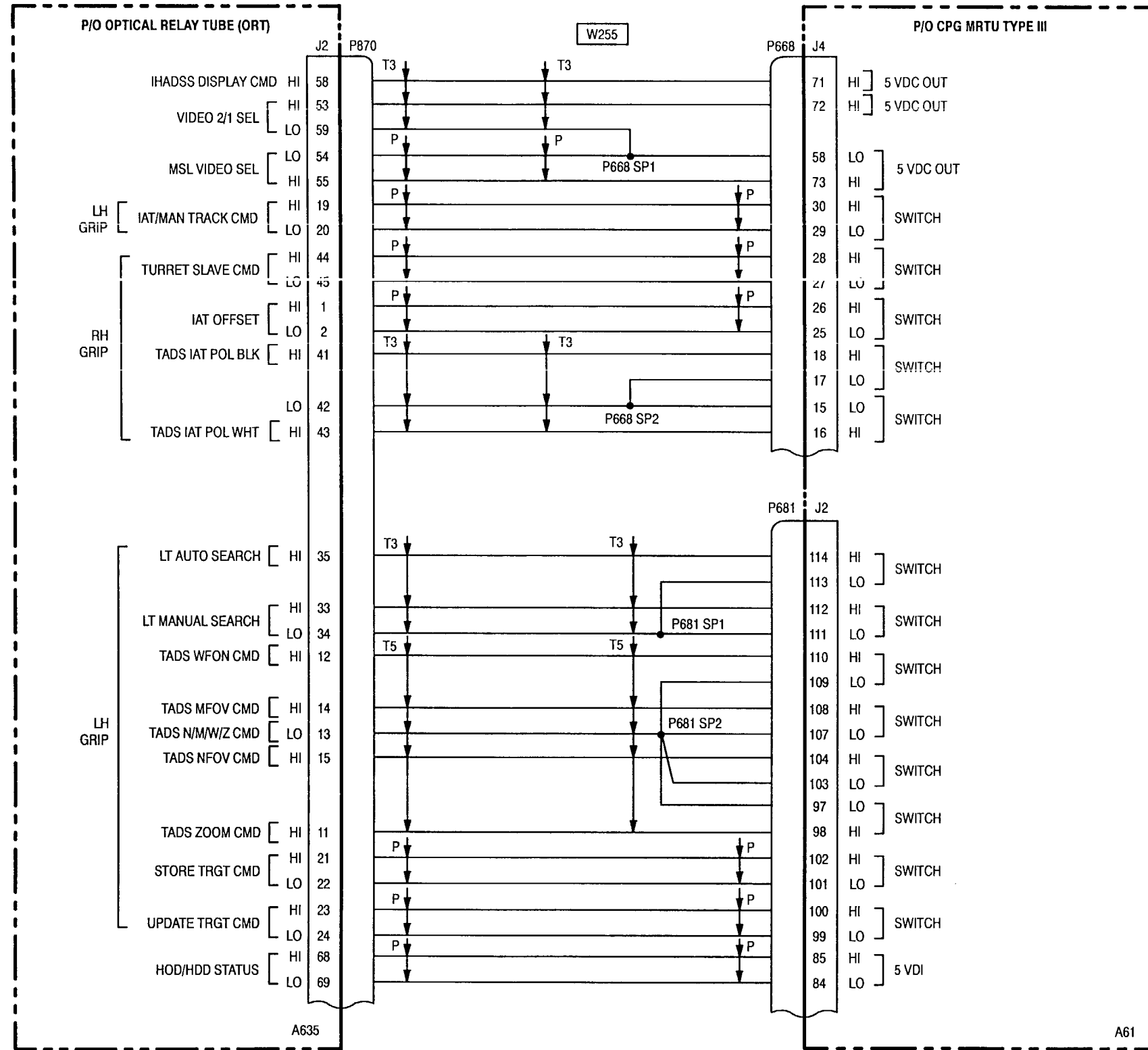
24-1

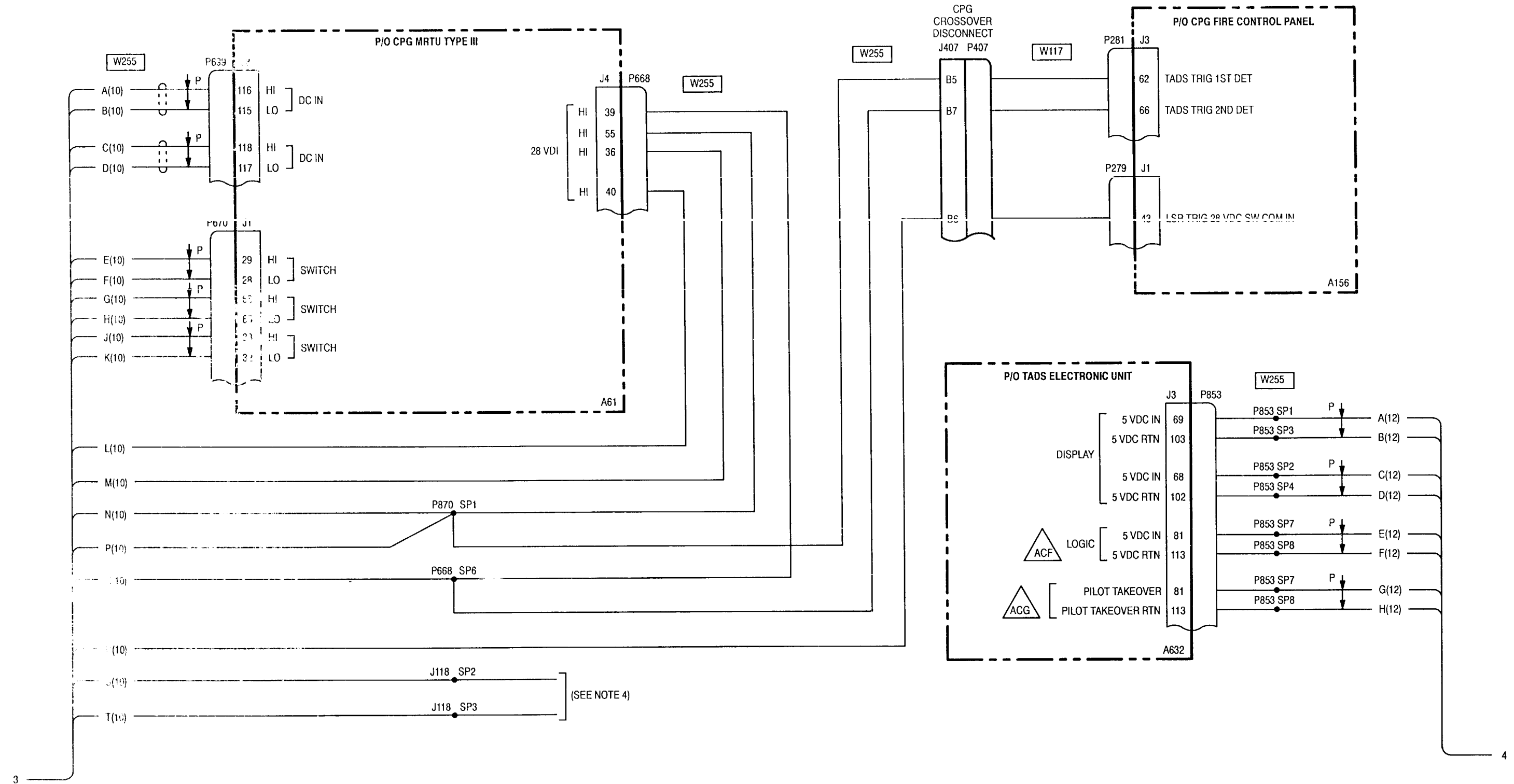


2



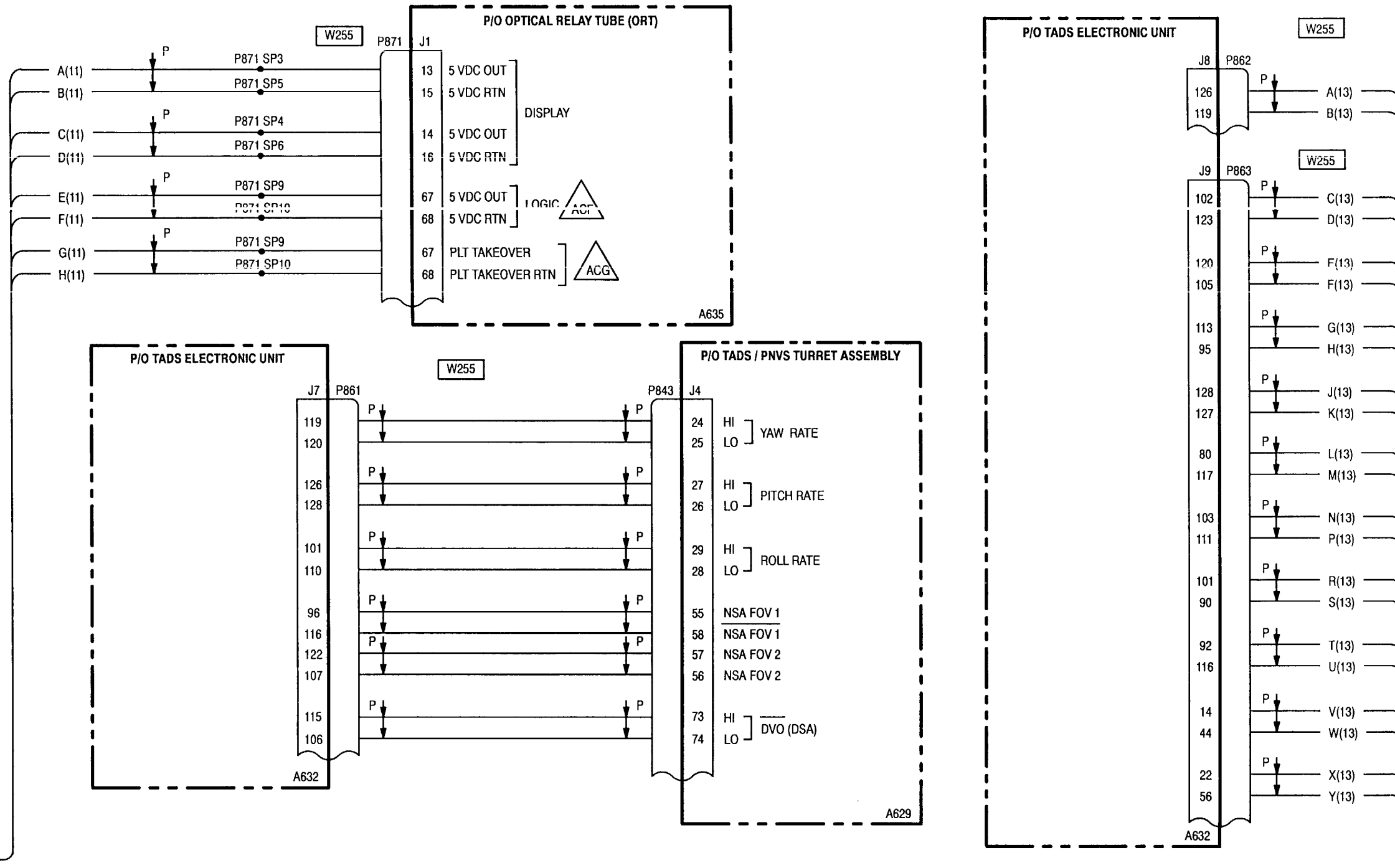
24-1. TADS - WIRING DIAGRAM (cont)

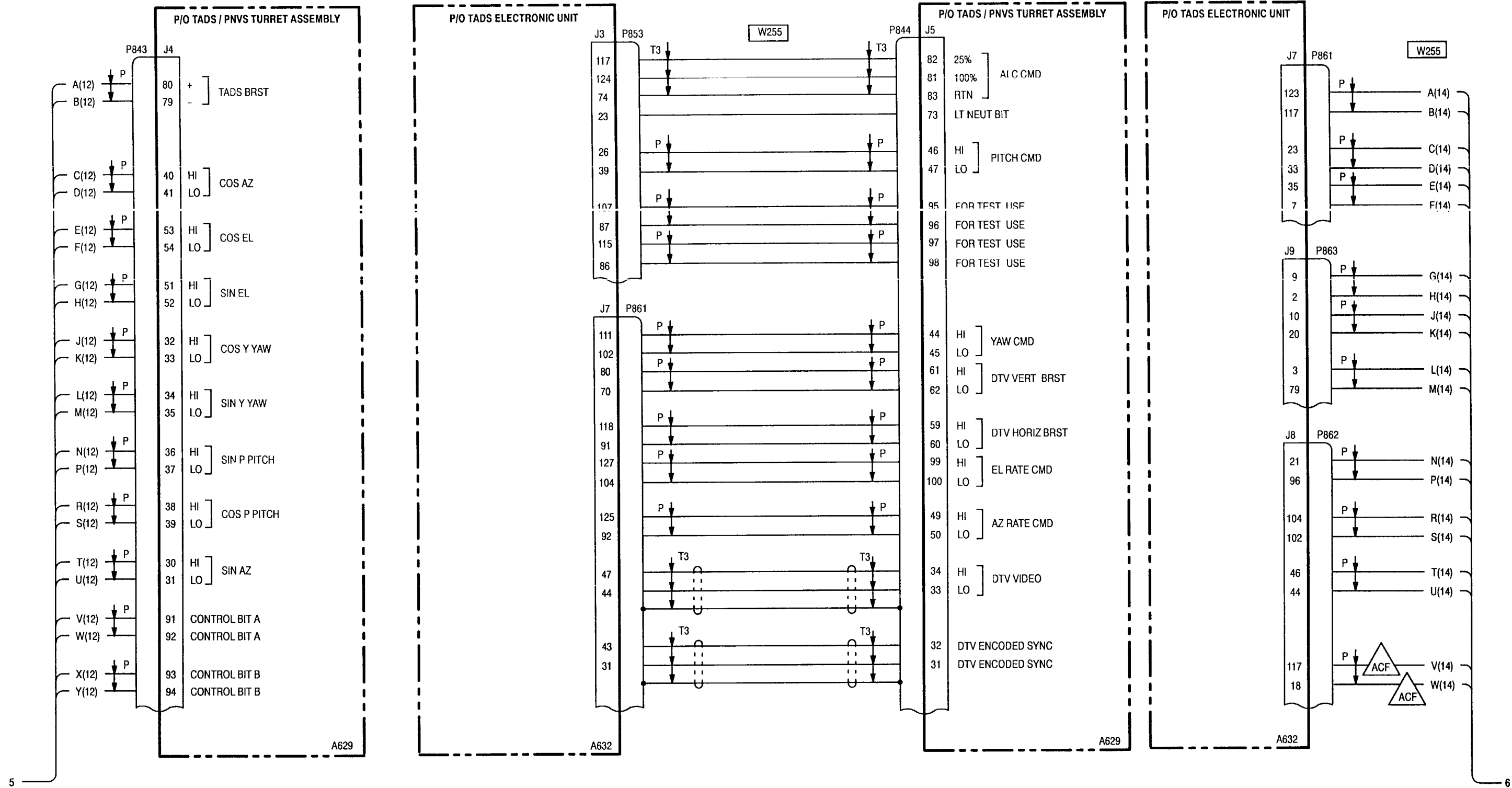




3

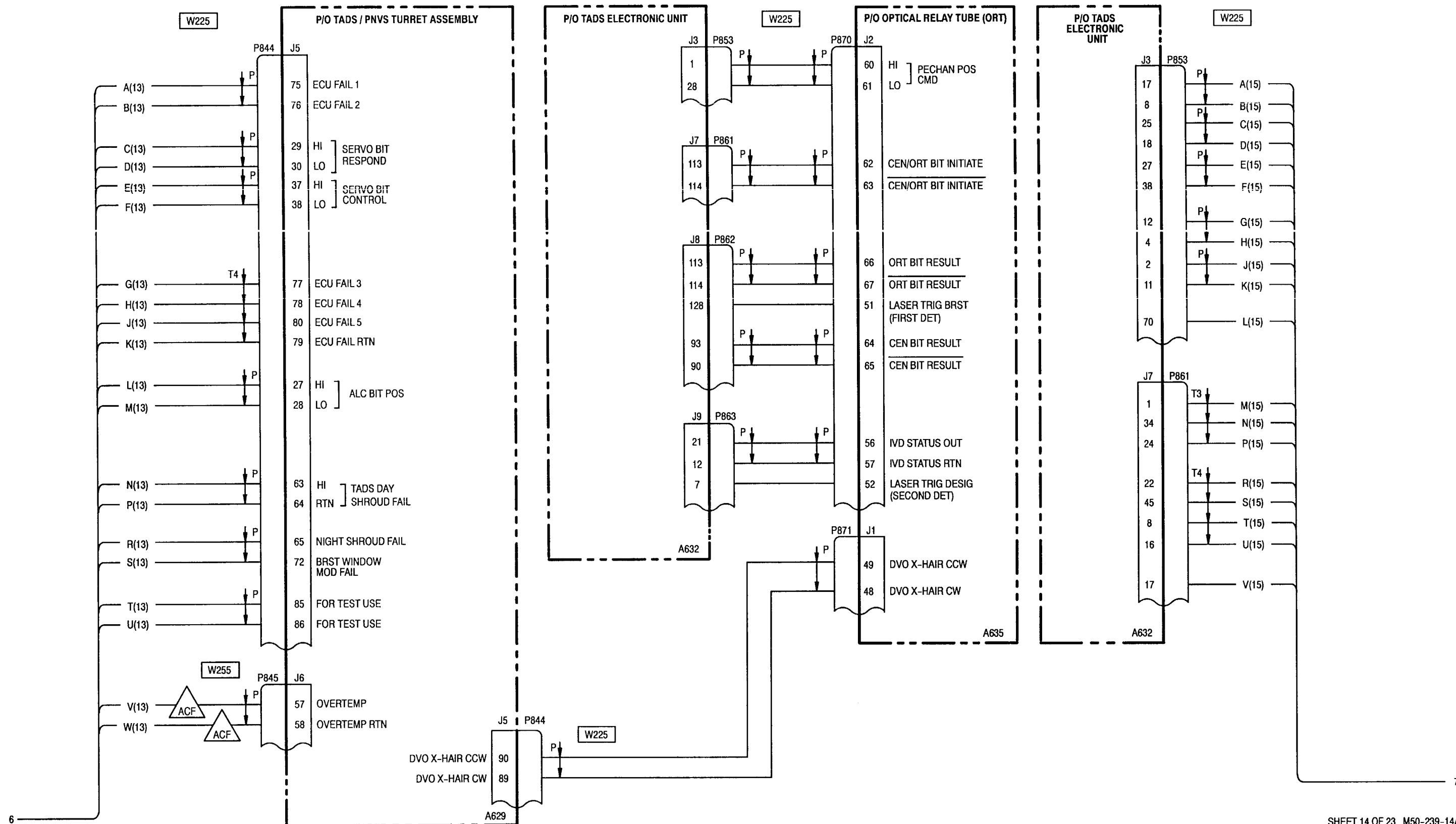
4

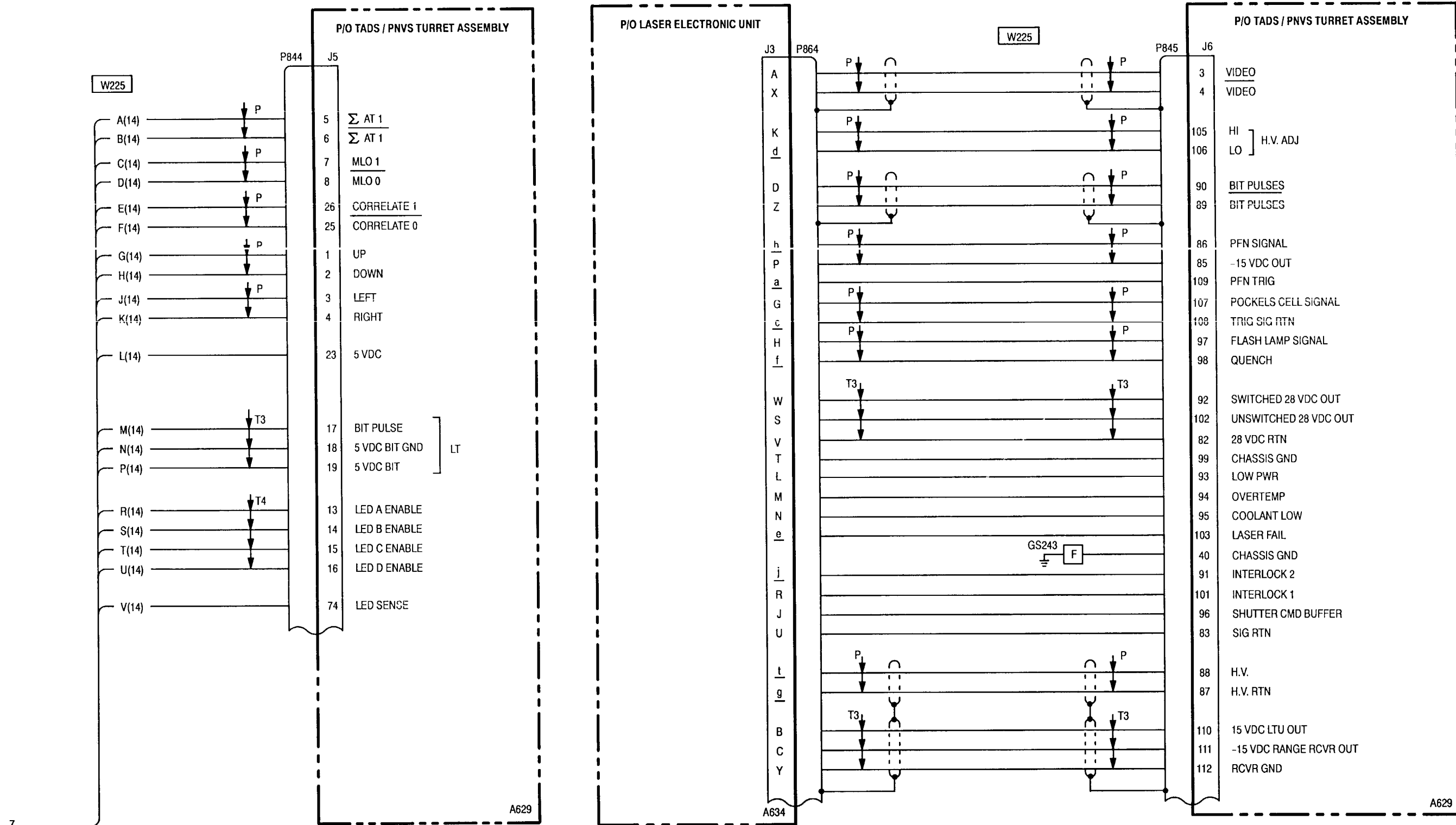




5

6



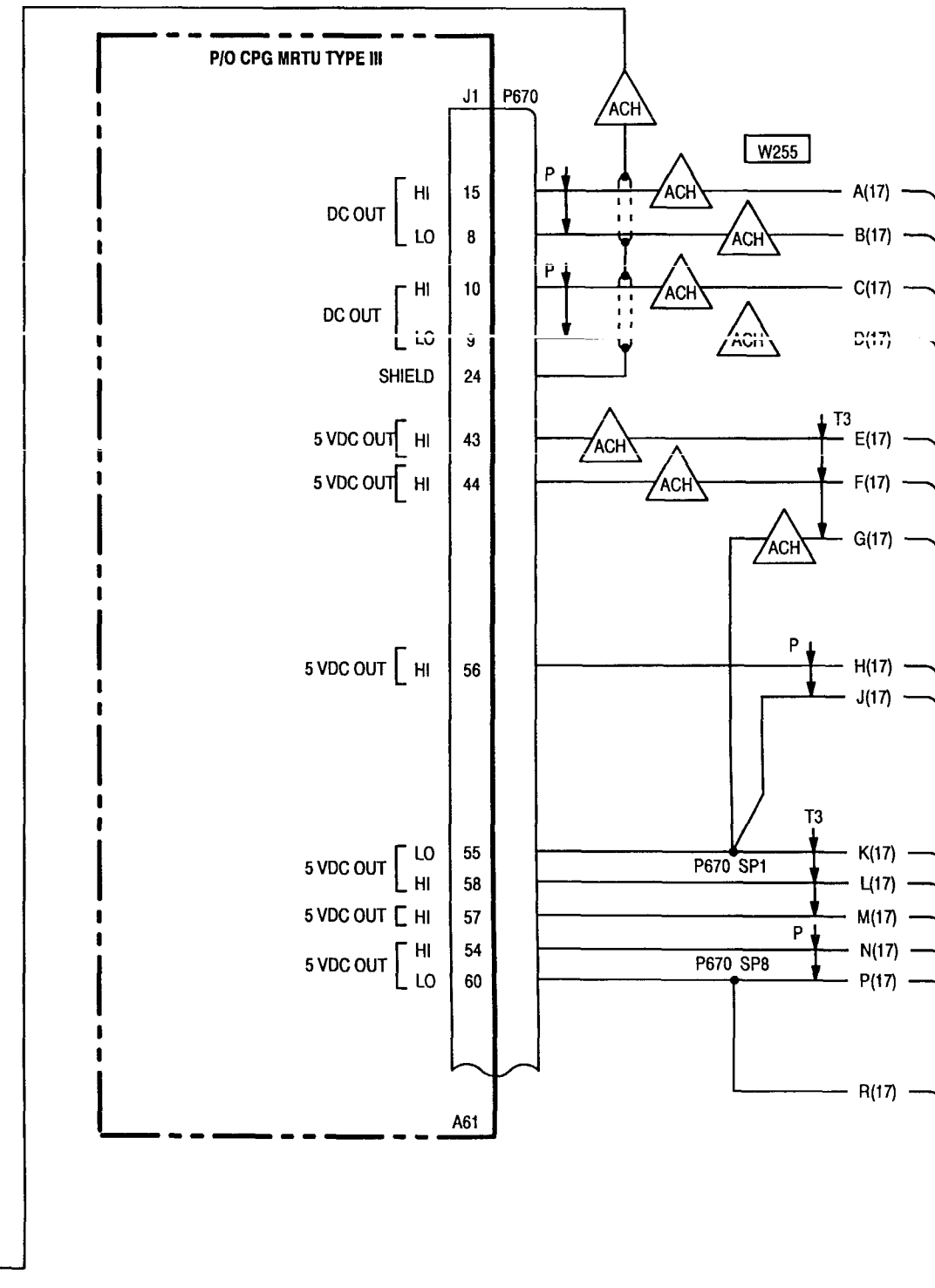
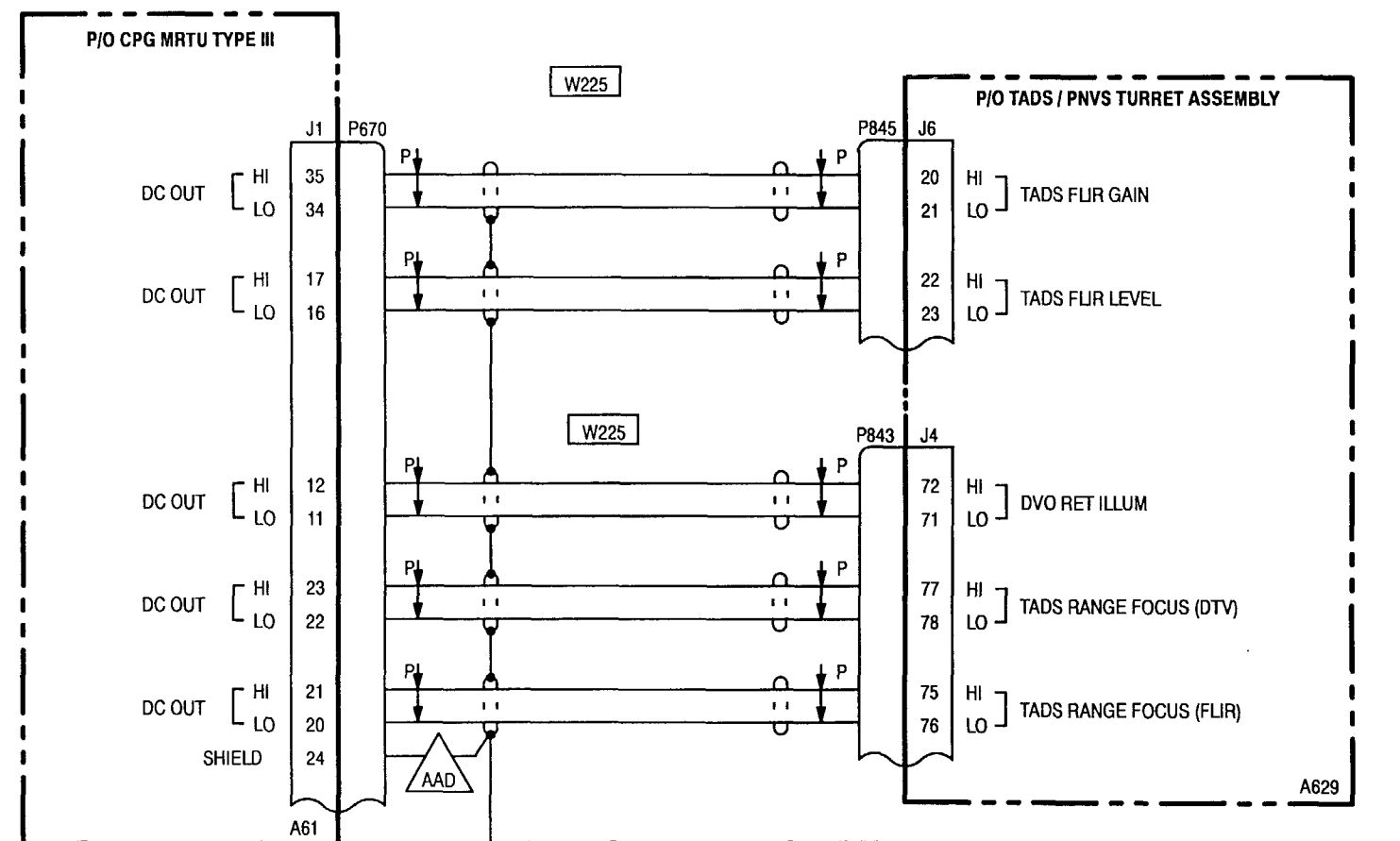
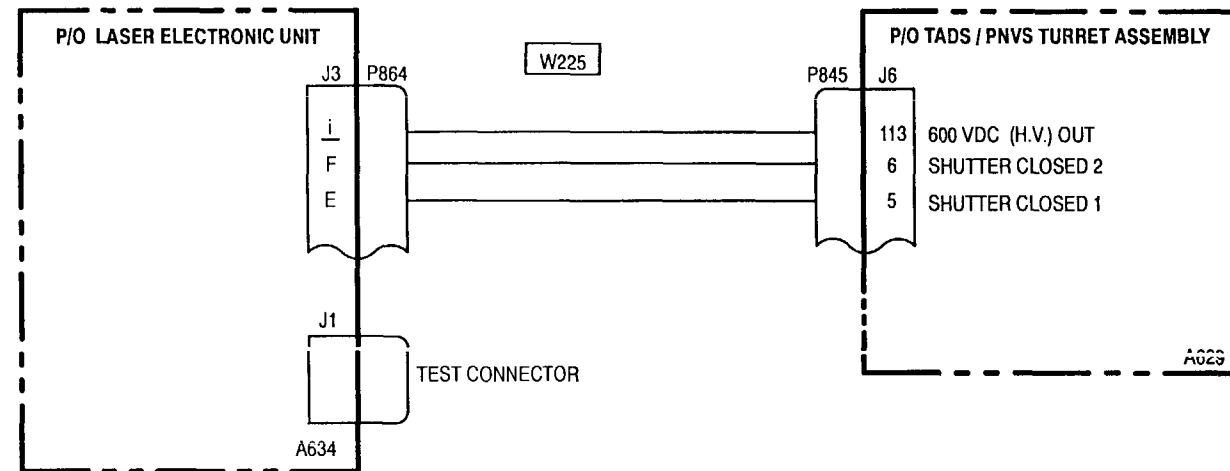


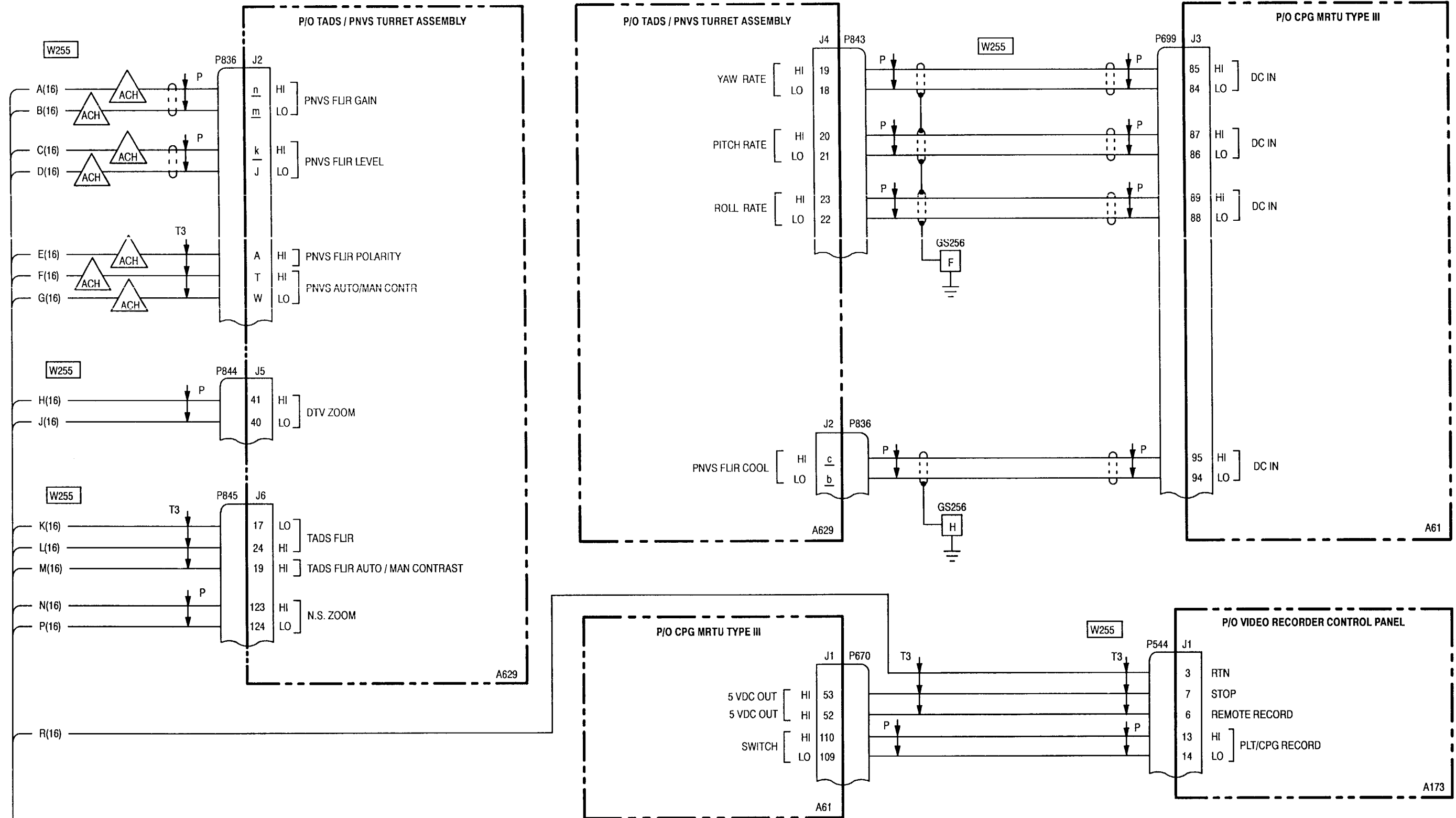
7

A629

A634

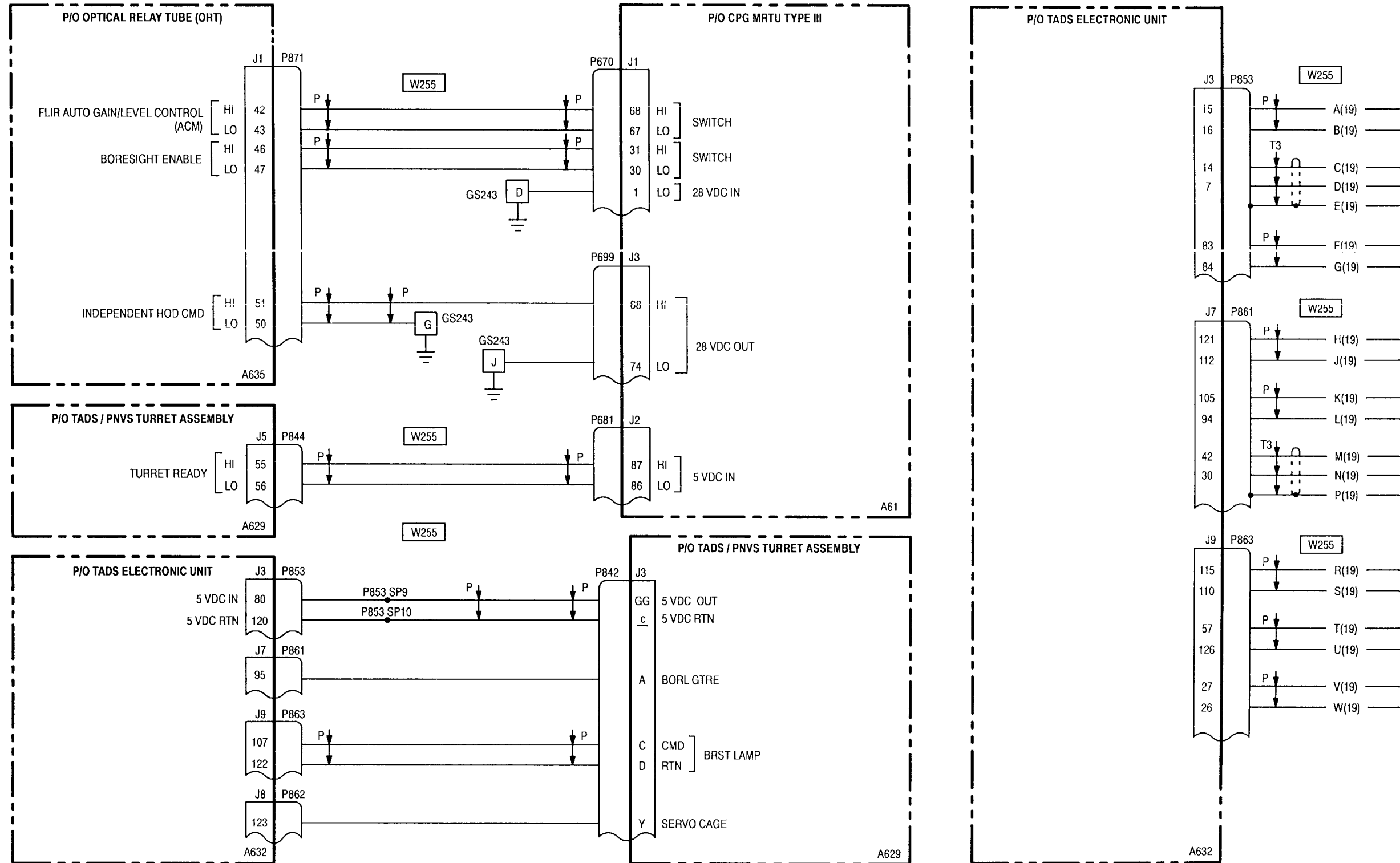
A629

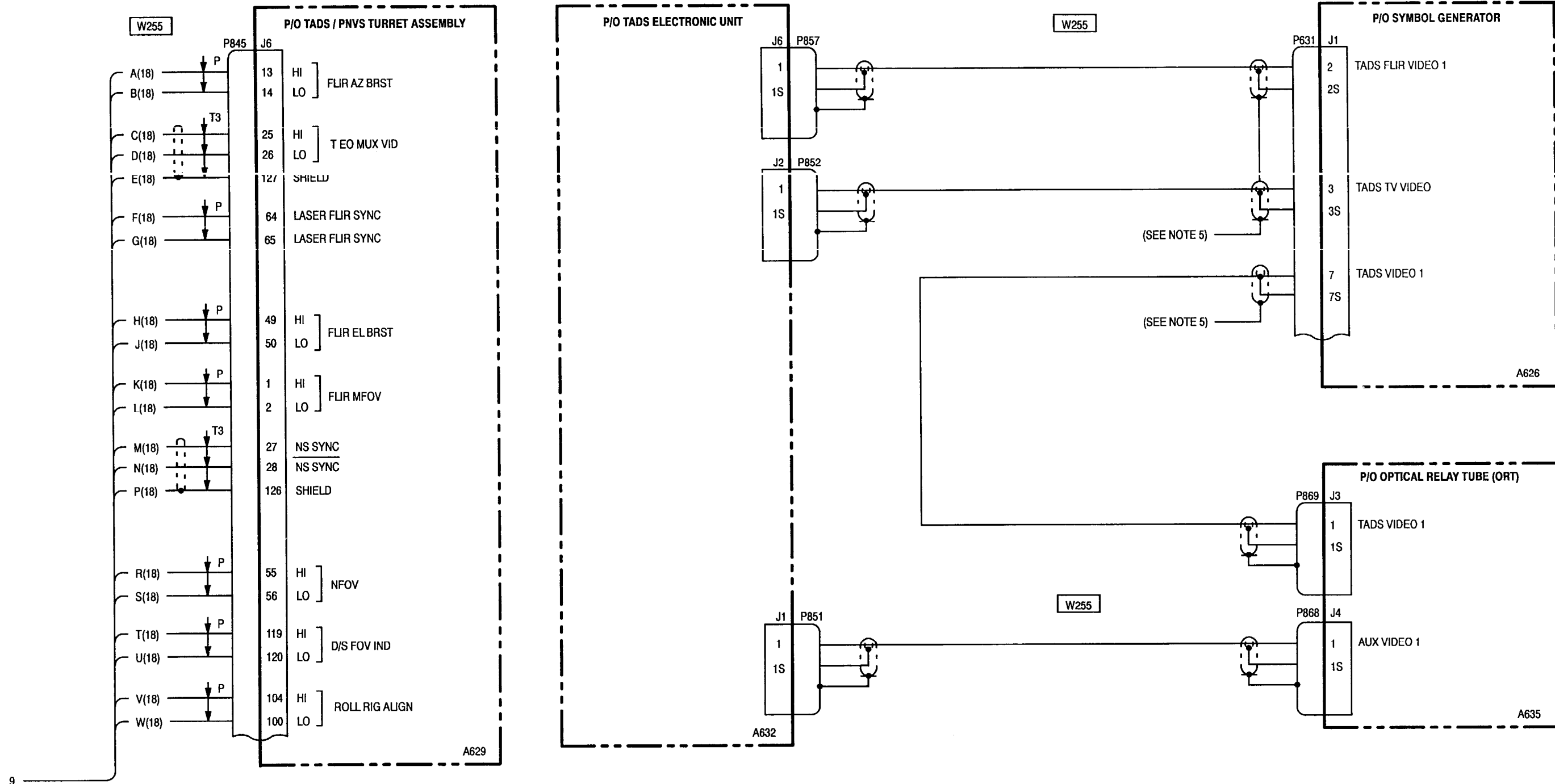


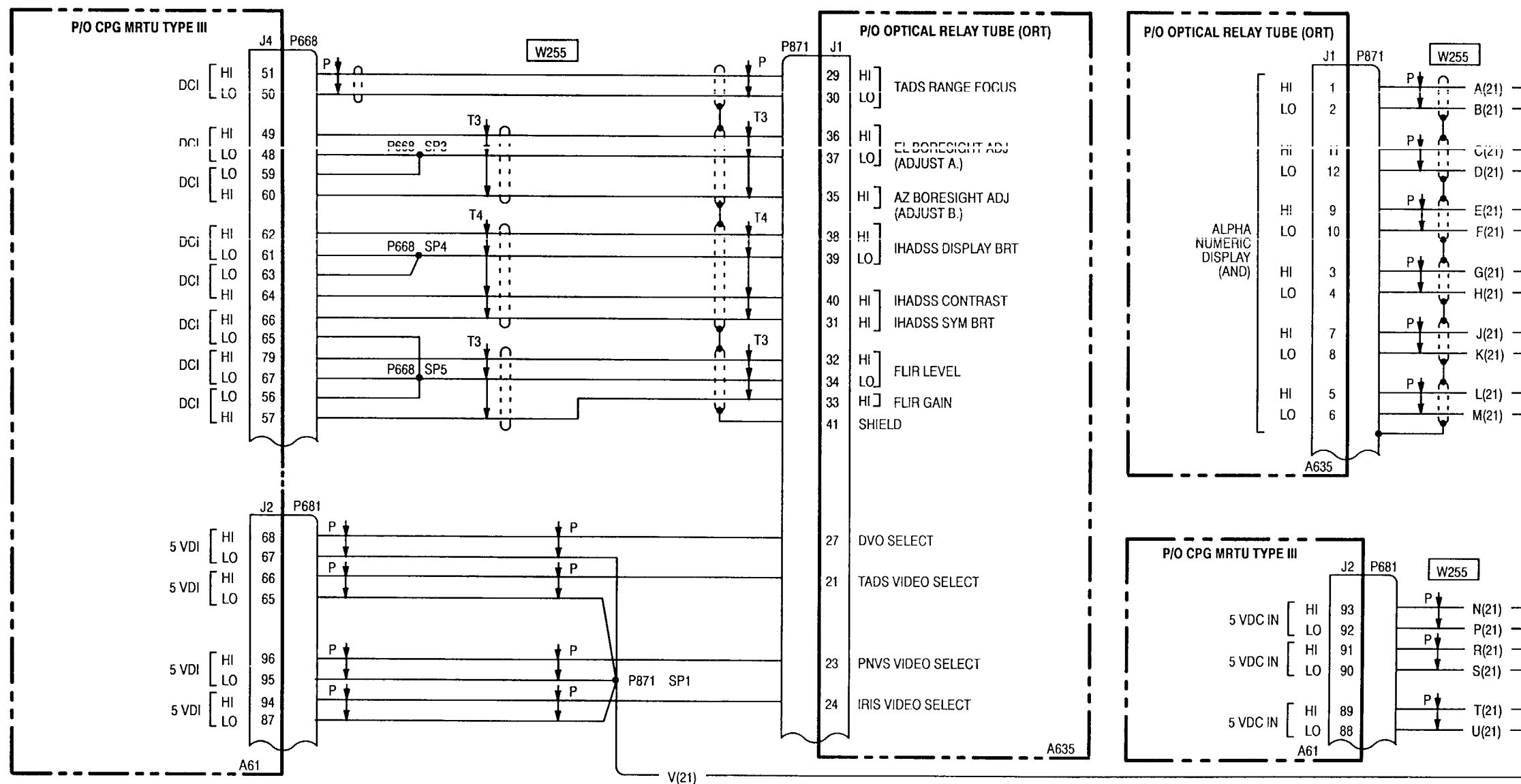


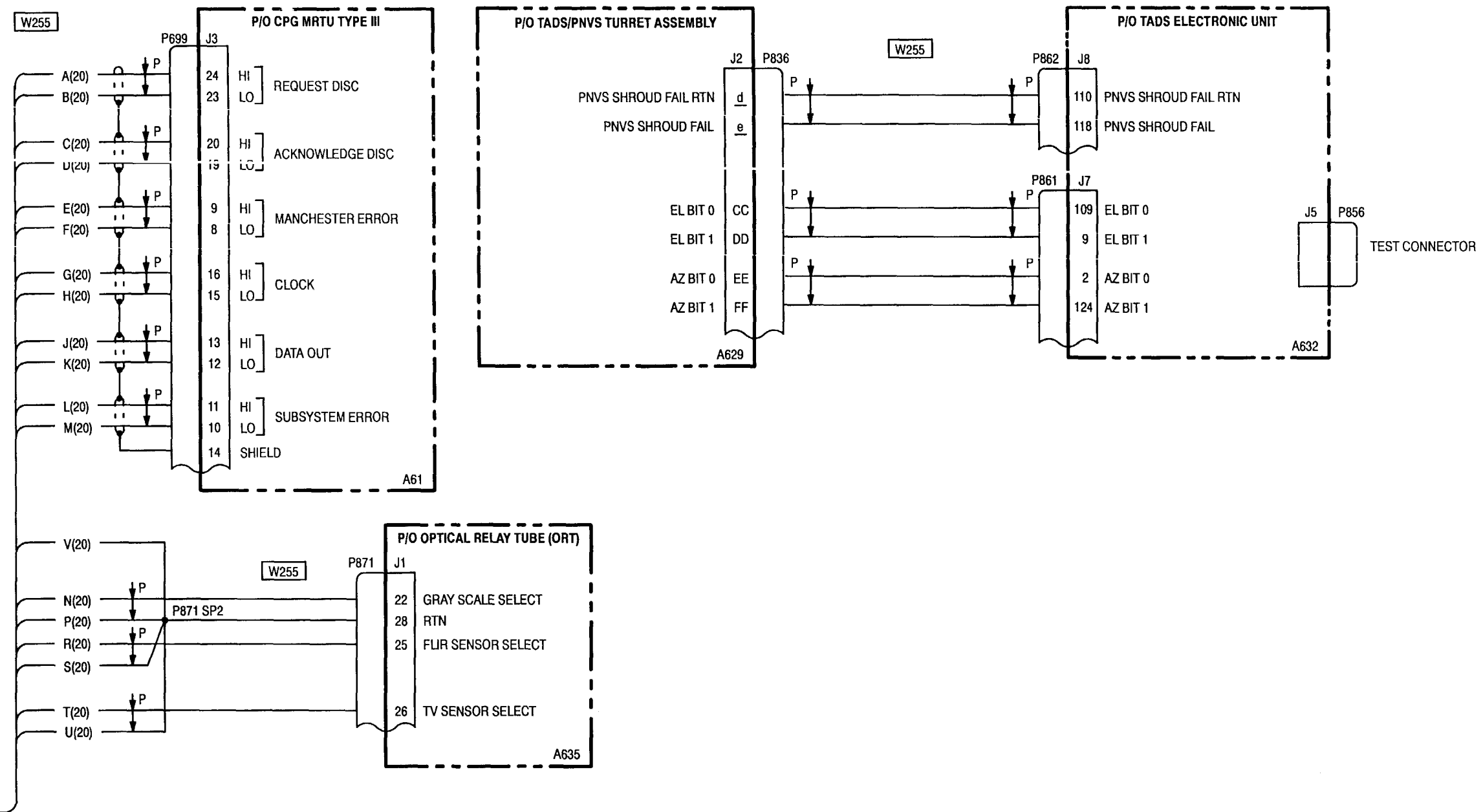
8

24-1. TADS - WIRING DIAGRAM (cont)

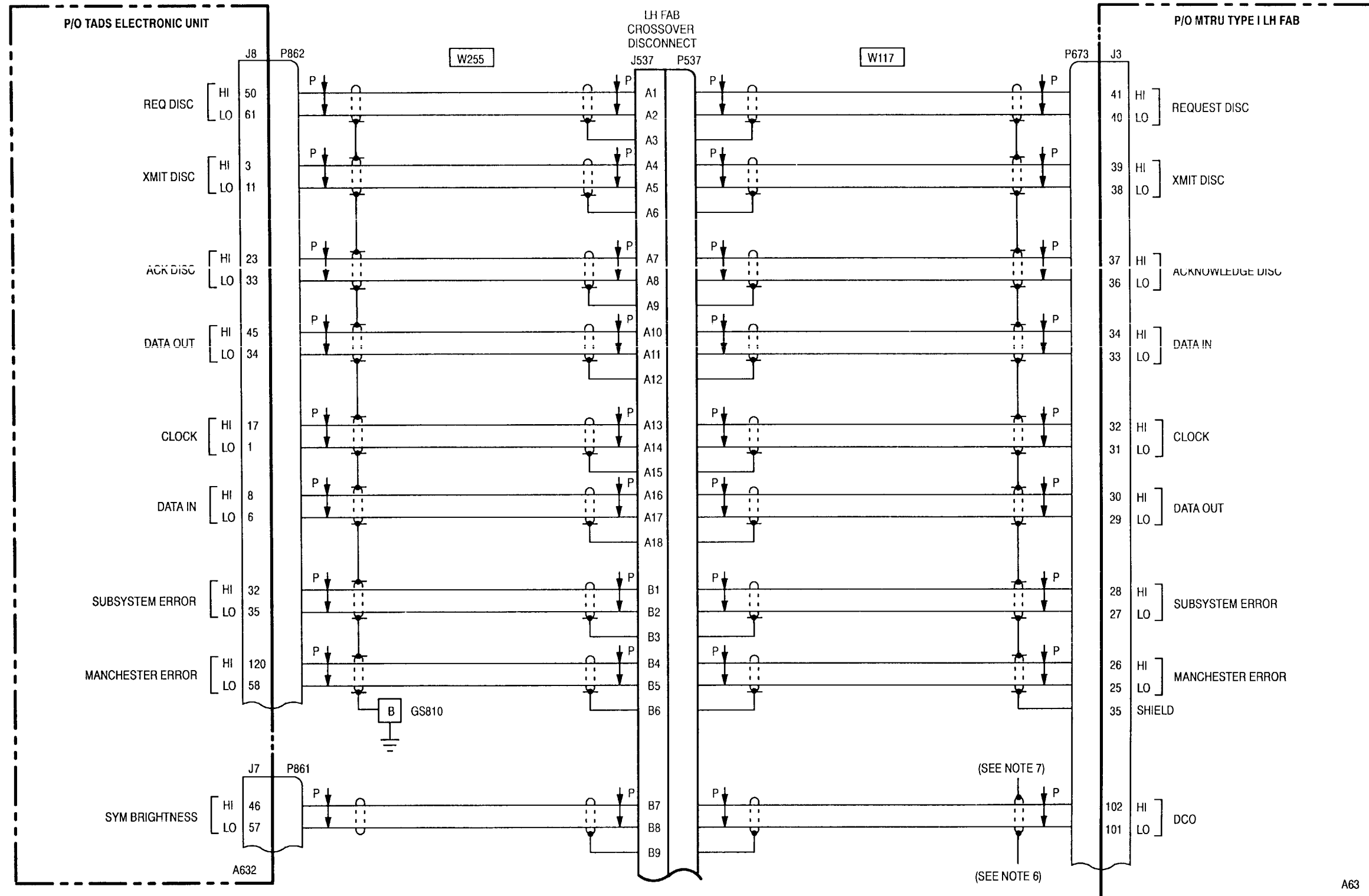


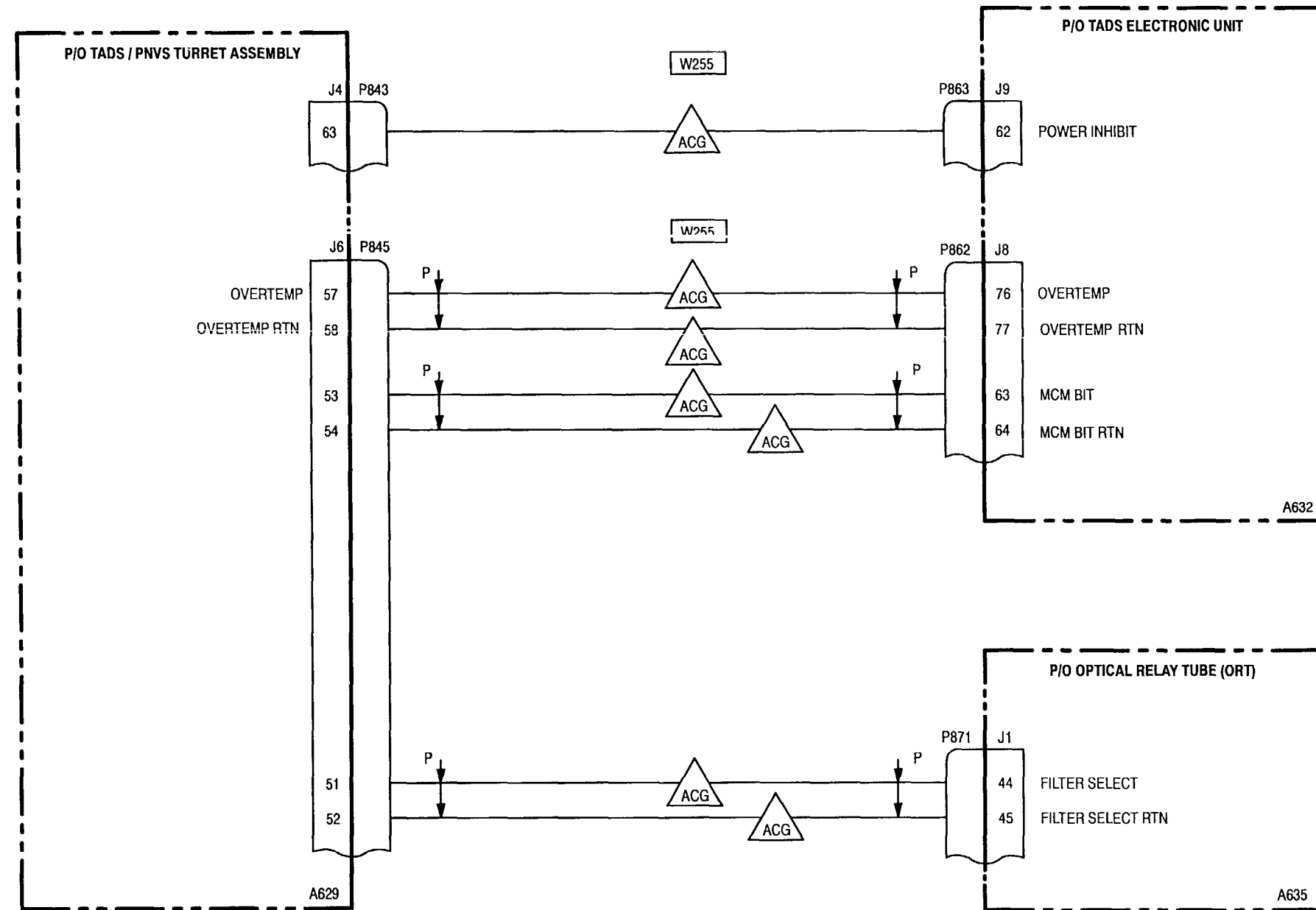






10





NOTES:

1. REFER TO PARAGRAPH 9-10. CIRCUIT PROTECTION (DC ESSENTIAL BUS 2-CPG STATION) - WIRING DIAGRAM.
2. REFER TO PARAGRAPH 9-6. CIRCUIT PROTECTION (AC ESSENTIAL BUS 1 - CPG STATION) - WIRING DIAGRAM.
3. REFER TO PARAGRAPH 22-1. PNVs - WIRING DIAGRAM.
4. REFER TO PARAGRAPH 4-1. AREA WEAPON SYSTEM (AWS) - WIRING DIAGRAM.
5. REFER TO PARAGRAPH 26-1. SYMBOL GENERATOR - WIRING DIAGRAM.
6. REFER TO PARAGRAPH 11-1. EXTERNAL STORES CONTROL - WIRING DIAGRAM.
7. REFER TO PARAGRAPH 8-1. DRIVE SYSTEM - WIRING DIAGRAM.

CHAPTER 25. UTILITY SYSTEM WIRING DIAGRAMS

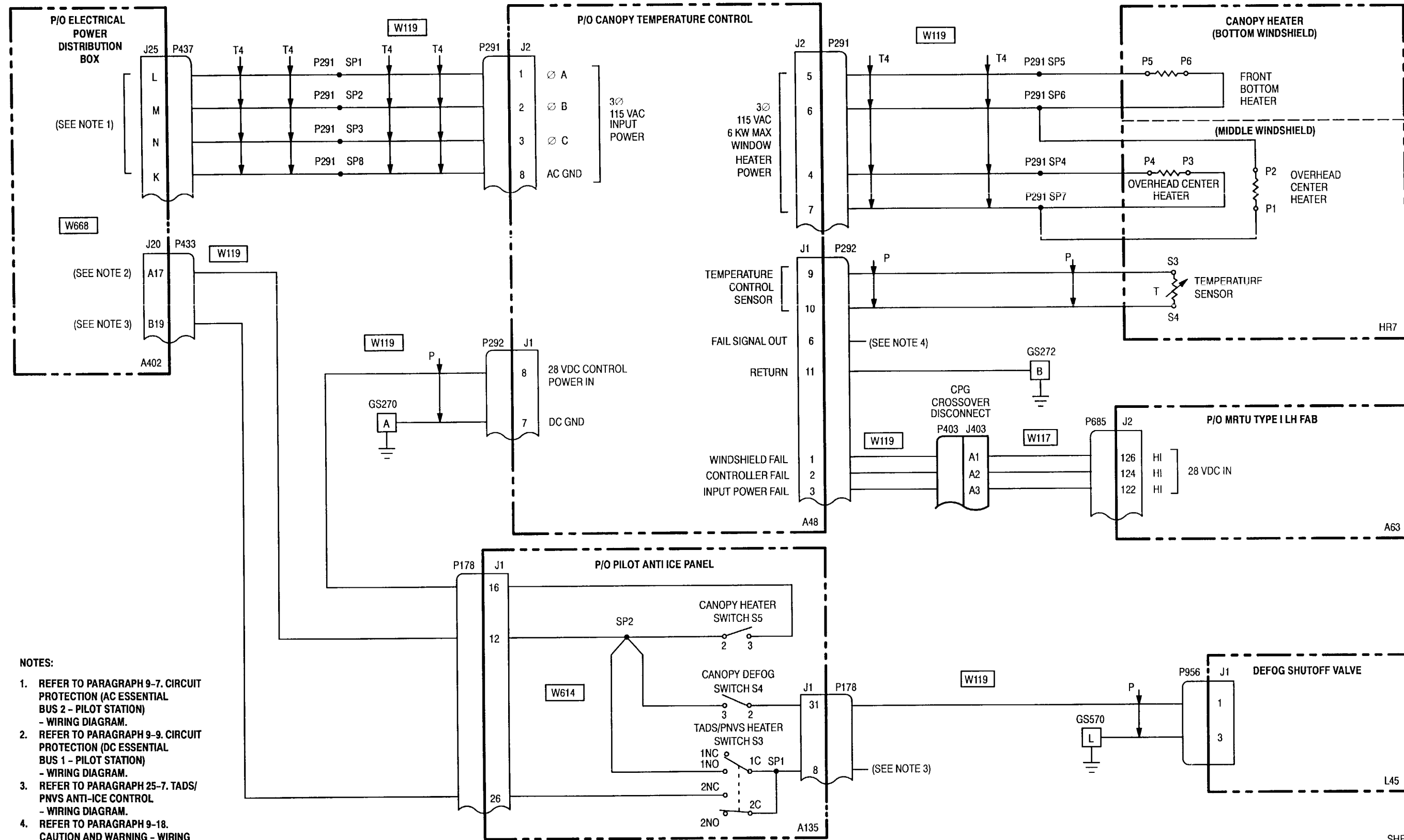
CHAPTER OVERVIEW

Chapter 25 contains wiring diagrams required for troubleshooting the utility system.

Chapter 25 is divided into the following paragraphs:

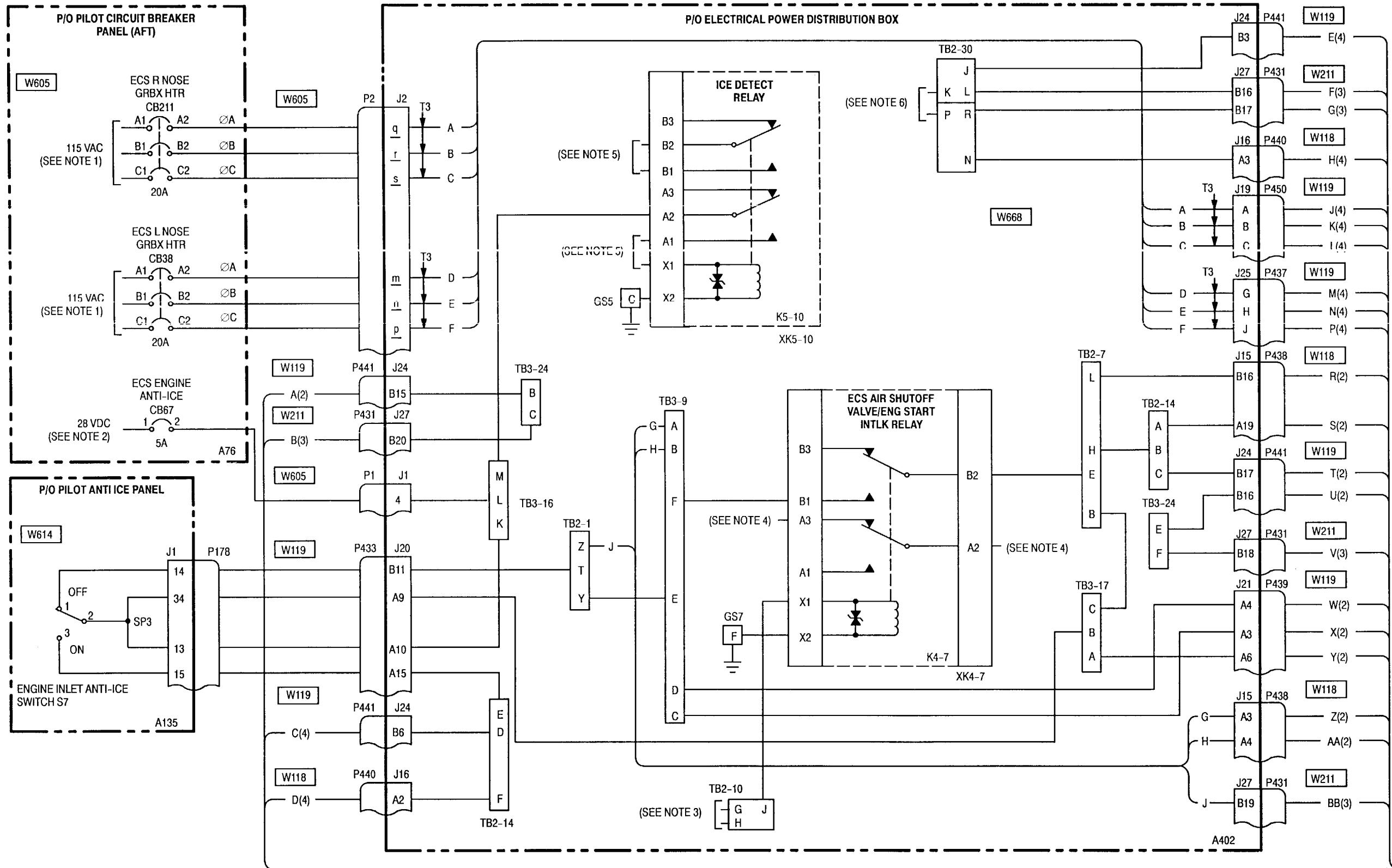
<u>Para Title</u>	<u>Para No.</u>
Canopy Defog and Anti-Ice -Wiring Diagram25-1
Engine Anti-Ice - Wiring Diagram25-2
Rotor Blades De-Ice -Wiring Diagram.25-3
Pitot Anti-Ice - Wiring Diagram25-4
Windshield Wipers - Wiring Diagram25-5
Fire Detection and Extinguishing -Wiring Diagram25-6
TADS/PNVS Anti-Ice Control- Wiring Diagram25-7

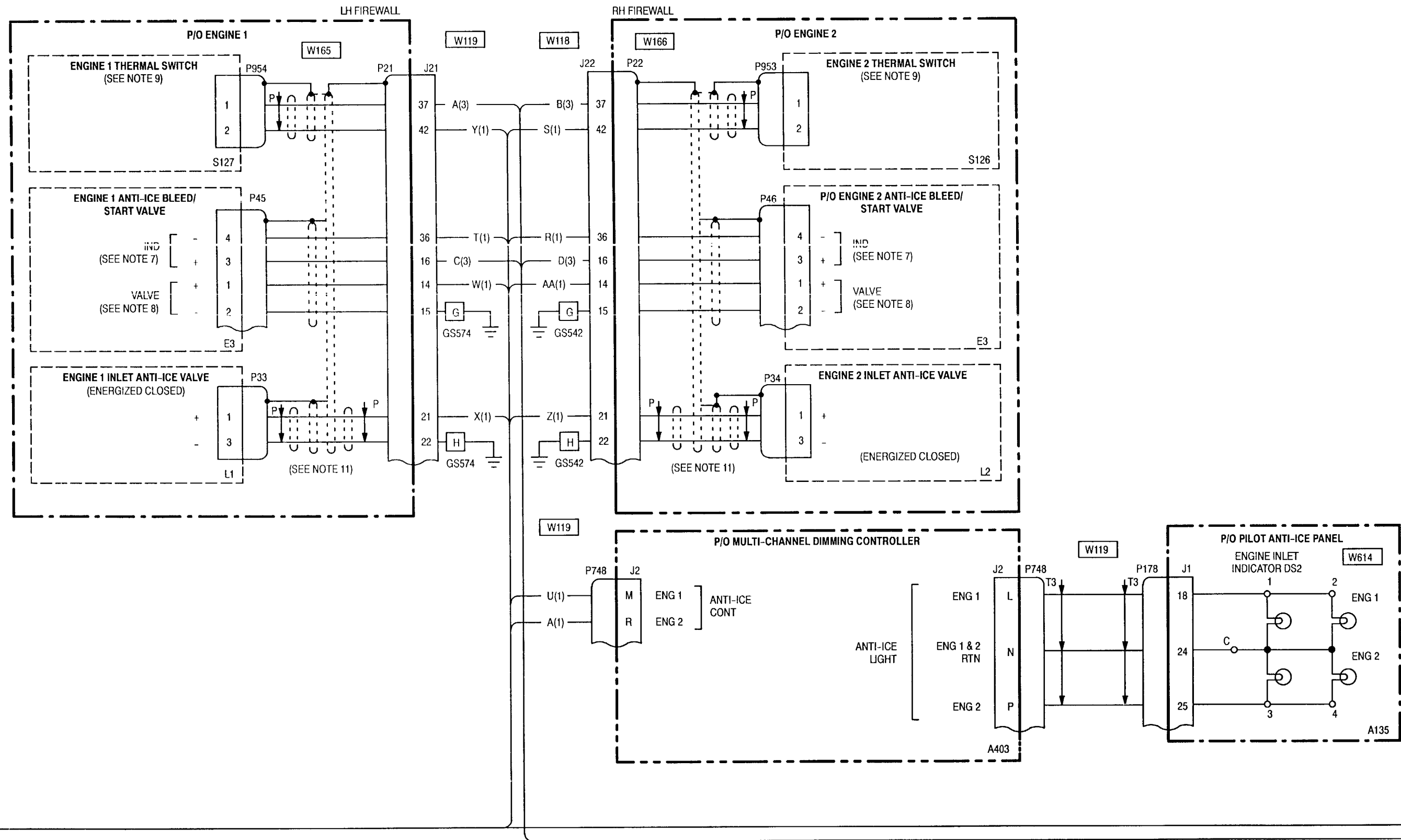
25-1. CANOPY DEFOG AND ANTI-ICE - WIRING DIAGRAM

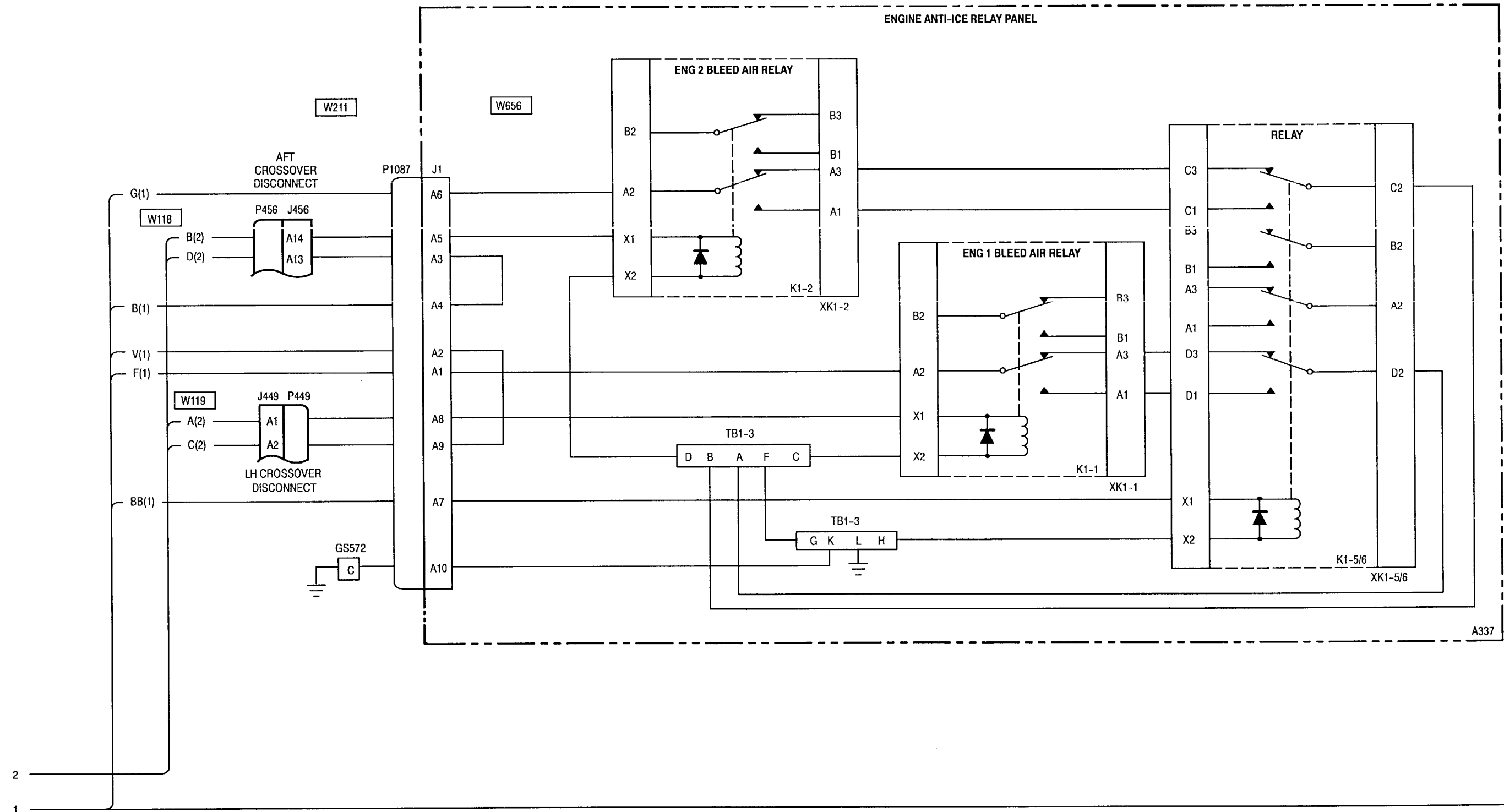


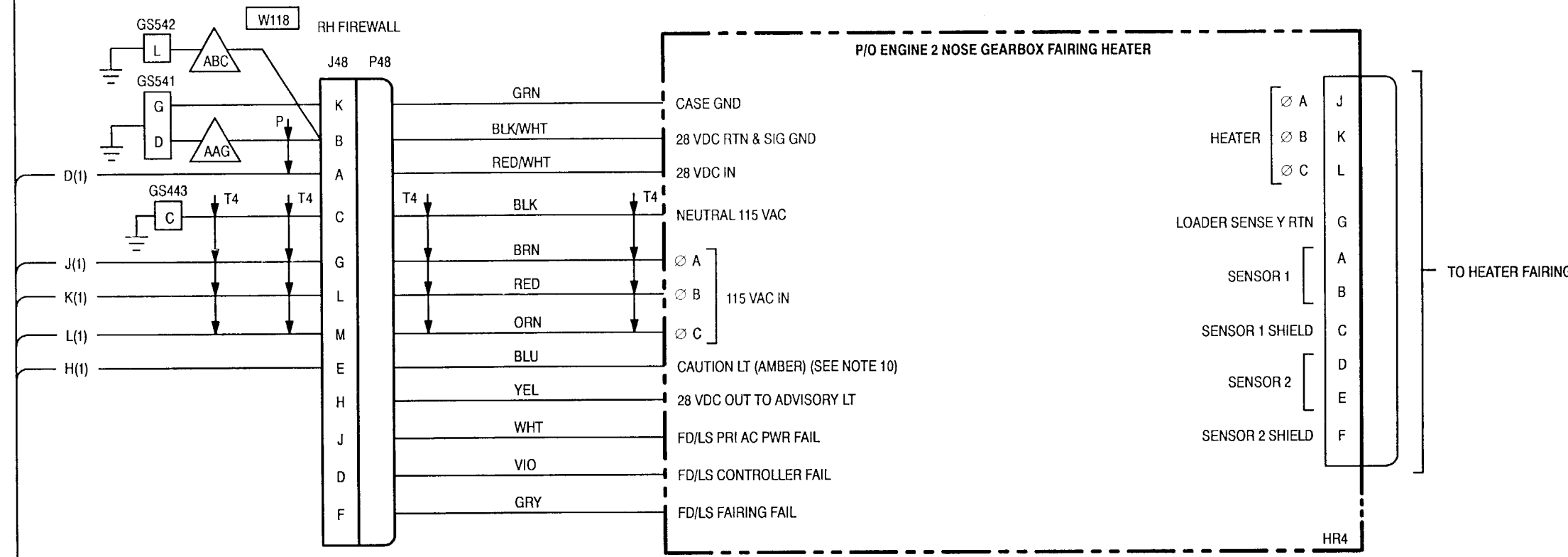
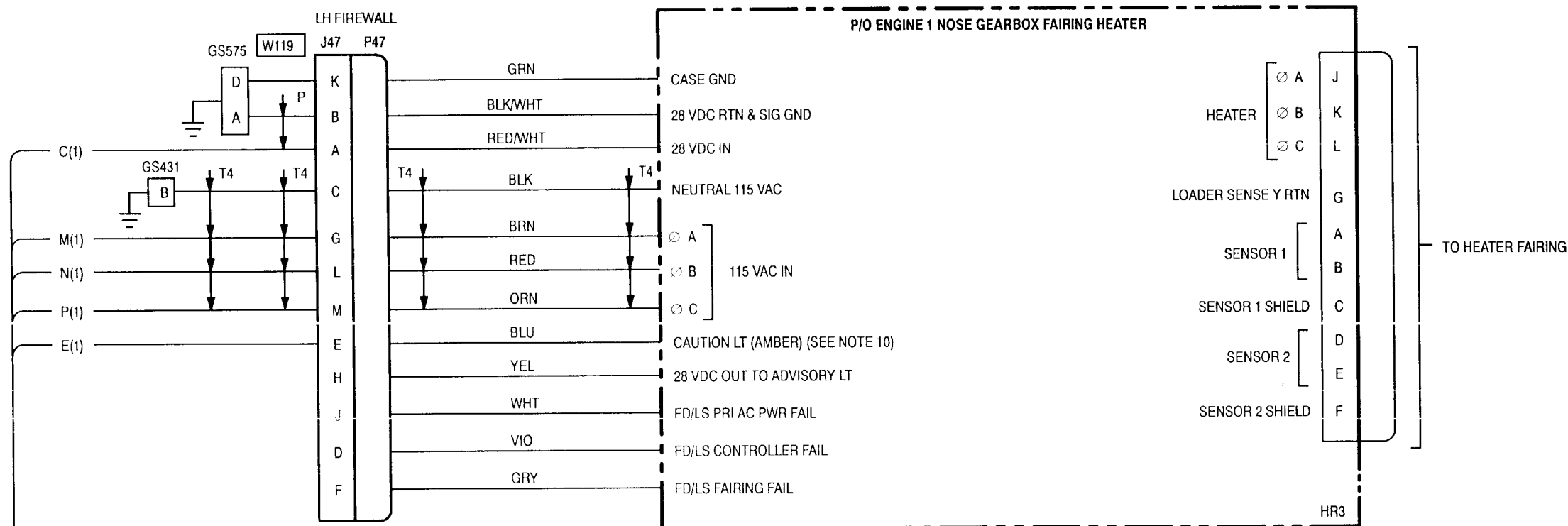
- NOTES:**
- REFER TO PARAGRAPH 9-7. CIRCUIT PROTECTION (AC ESSENTIAL BUS 2 - PILOT STATION) - WIRING DIAGRAM.
 - REFER TO PARAGRAPH 9-9. CIRCUIT PROTECTION (DC ESSENTIAL BUS 1 - PILOT STATION) - WIRING DIAGRAM.
 - REFER TO PARAGRAPH 25-7. TADS/PNVS ANTI-ICE CONTROL - WIRING DIAGRAM.
 - REFER TO PARAGRAPH 9-18. CAUTION AND WARNING - WIRING DIAGRAM.

25-2. ENGINE ANTI-ICE - WIRING DIAGRAM





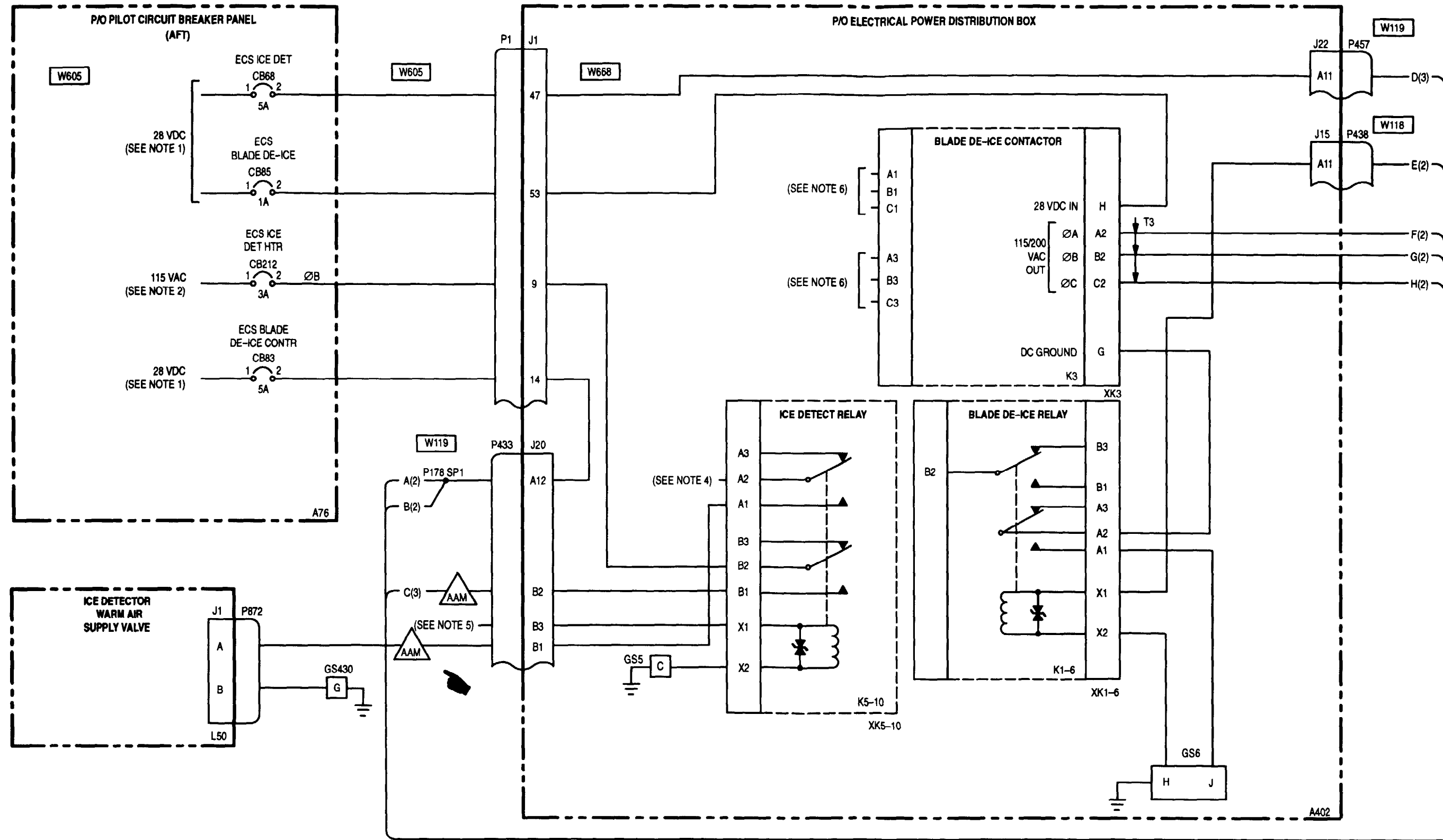




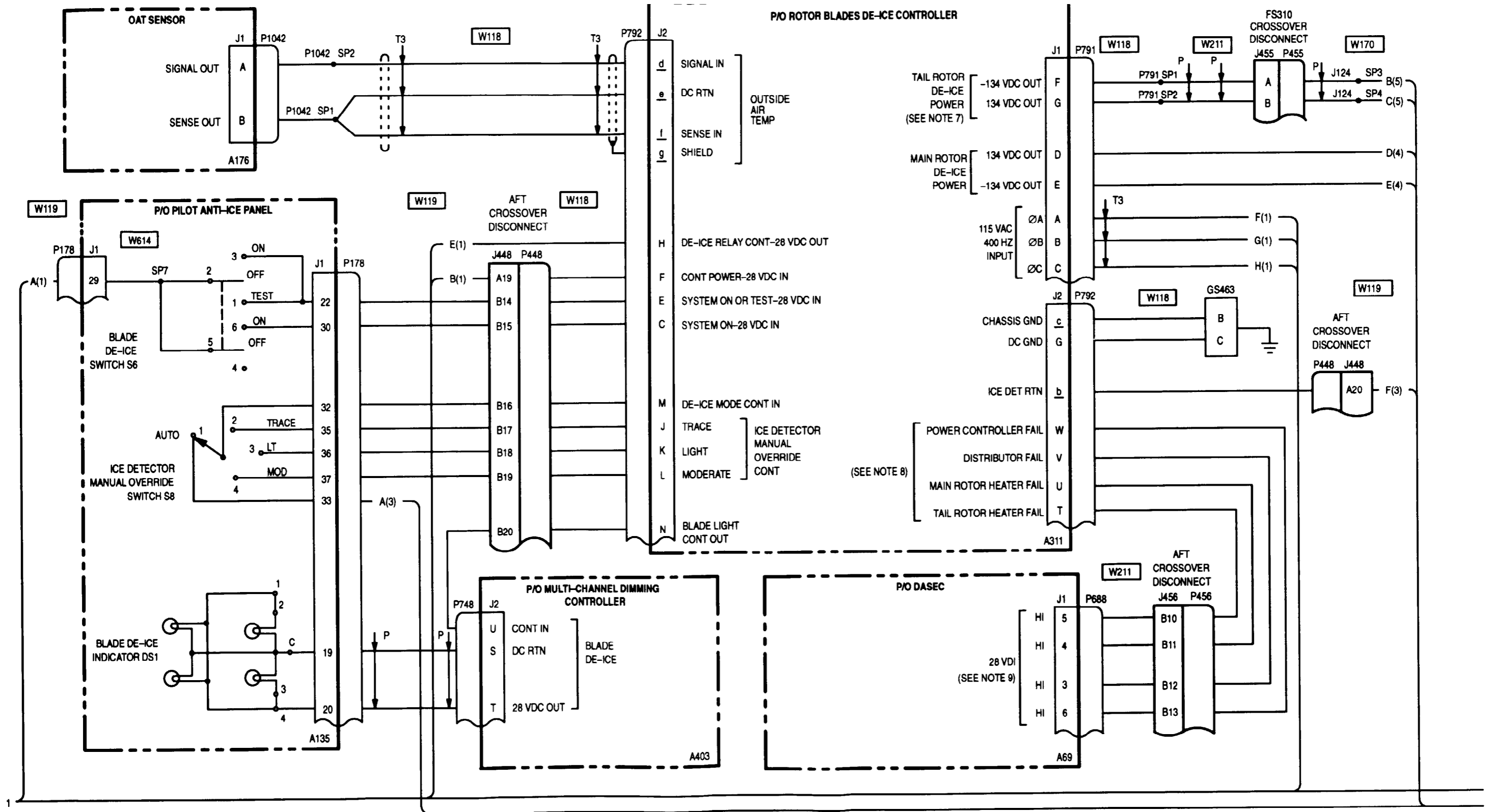
NOTES:

1. REFER TO PARAGRAPH 9-5. CIRCUIT PROTECTION (AC ESSENTIAL BUS 1 - PILOT STATION) - WIRING DIAGRAM.
2. REFER TO PARAGRAPH 9-9. CIRCUIT PROTECTION (DC ESSENTIAL BUS 1 - PILOT STATION) - WIRING DIAGRAM.
3. REFER TO PARAGRAPH 23-1. POWER PLANTS - WIRING DIAGRAM.
4. REFER TO PARAGRAPH 10-1. ENVIRONMENTAL CONTROL SYSTEM (ECS) - WIRING DIAGRAM.
5. REFER TO PARAGRAPH 25-3. ROTOR BLADES DE-ICE - WIRING DIAGRAM.
6. REFER TO PARAGRAPH 9-18. CAUTION AND WARNING - WIRING DIAGRAM.
7. INDICATES OPEN - 28 VDC OUT.
8. ENERGIZED CLOSED AT 83 TO 90% RPM N_G WITH 28 VDC INPUT.
9. NORMALLY OPEN - CLOSSES AT $155 \pm 5^\circ F$ ($68.3 \pm 2.8^\circ C$).
10. ENGINE NGB HEATER FAIL - DC GROUND.
11. HELICOPTERS WITH 700-GE-701C ENGINES INSTALLED ARE EQUIPPED WITH EMI SHIELDING.

25-3. ROTOR BLADES DE-ICE - WIRING DIAGRAM

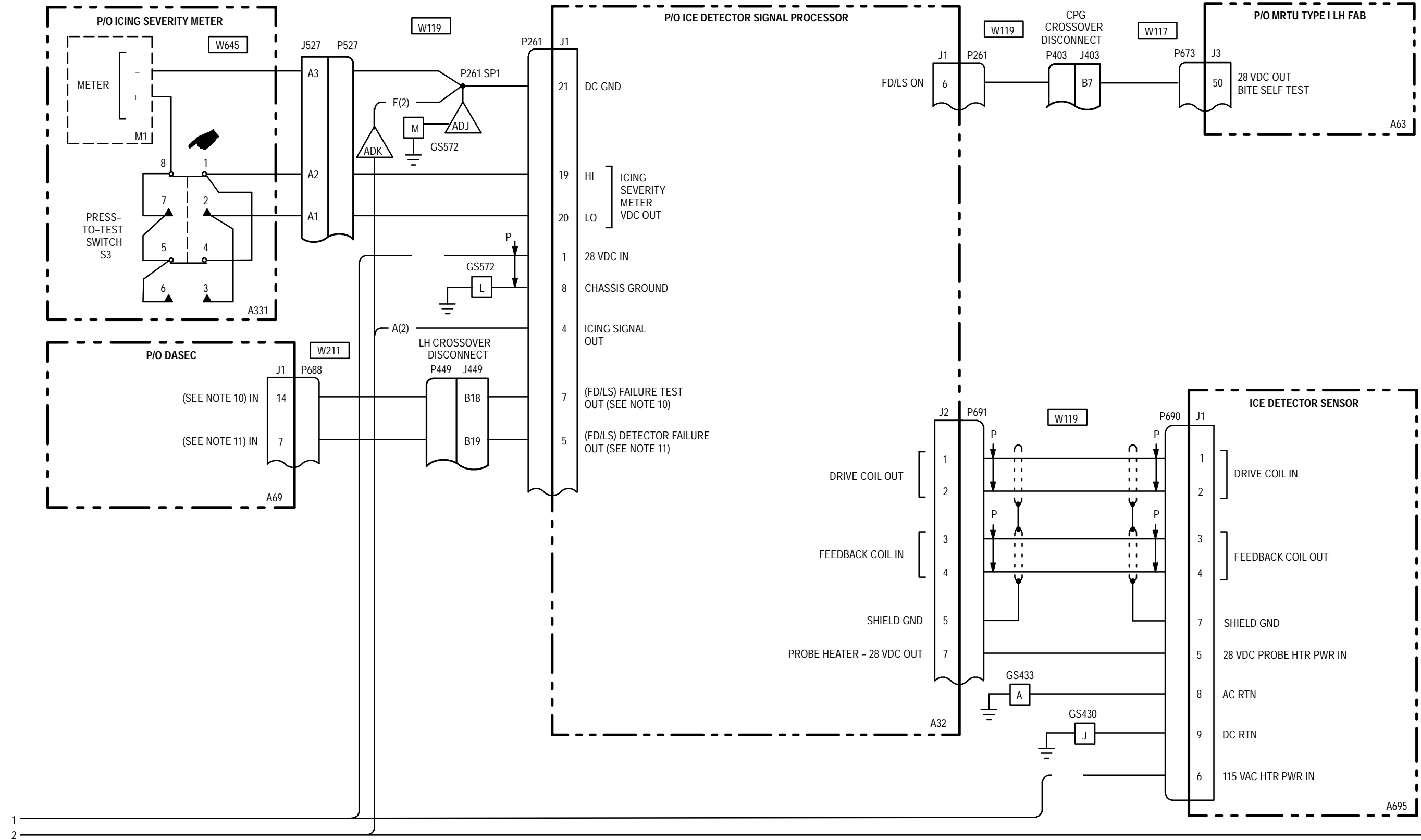


25-3. ROTOR BLADES DE-ICE - WIRING DIAGRAM (cont)



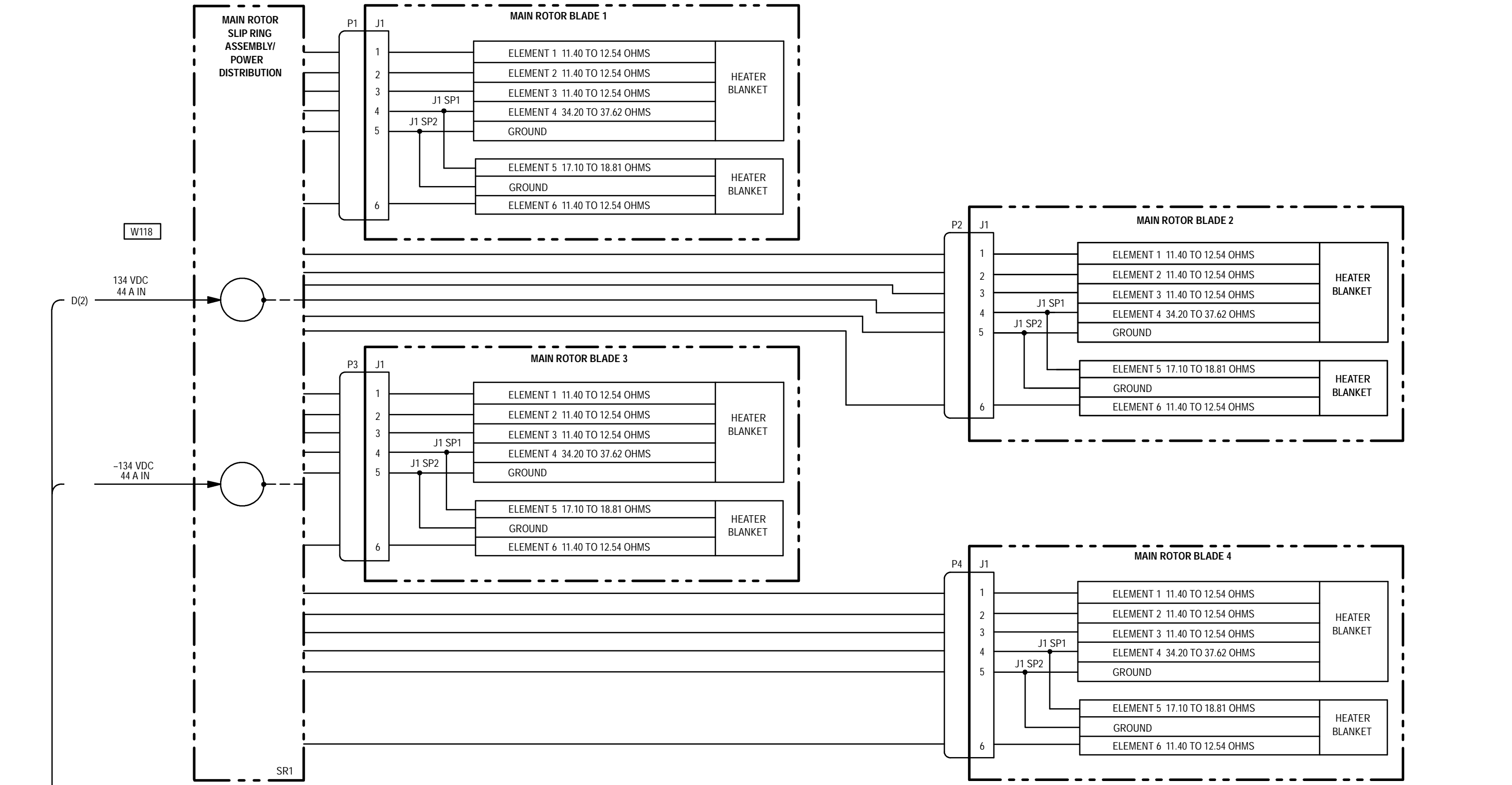
25-3. ROTOR BLADES DE-ICE - WIRING DIAGRAM (cont)

25-3



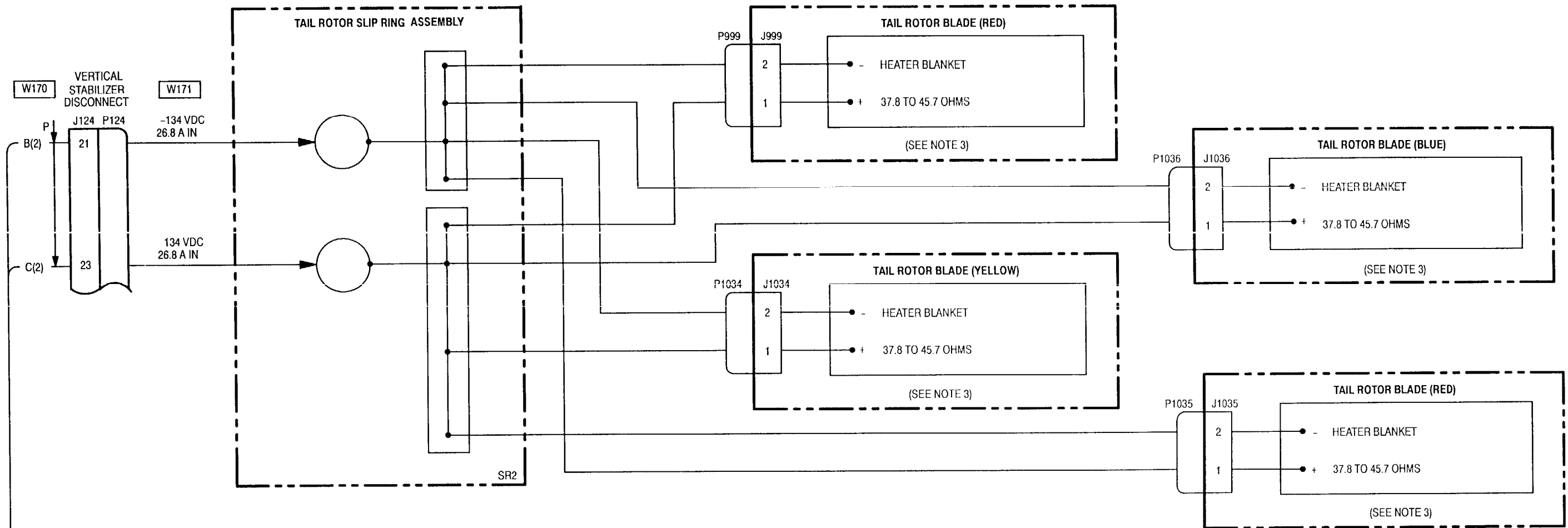
1
2

25-3. ROTOR BLADES DE-ICE - WIRING DIAGRAM (cont)



2

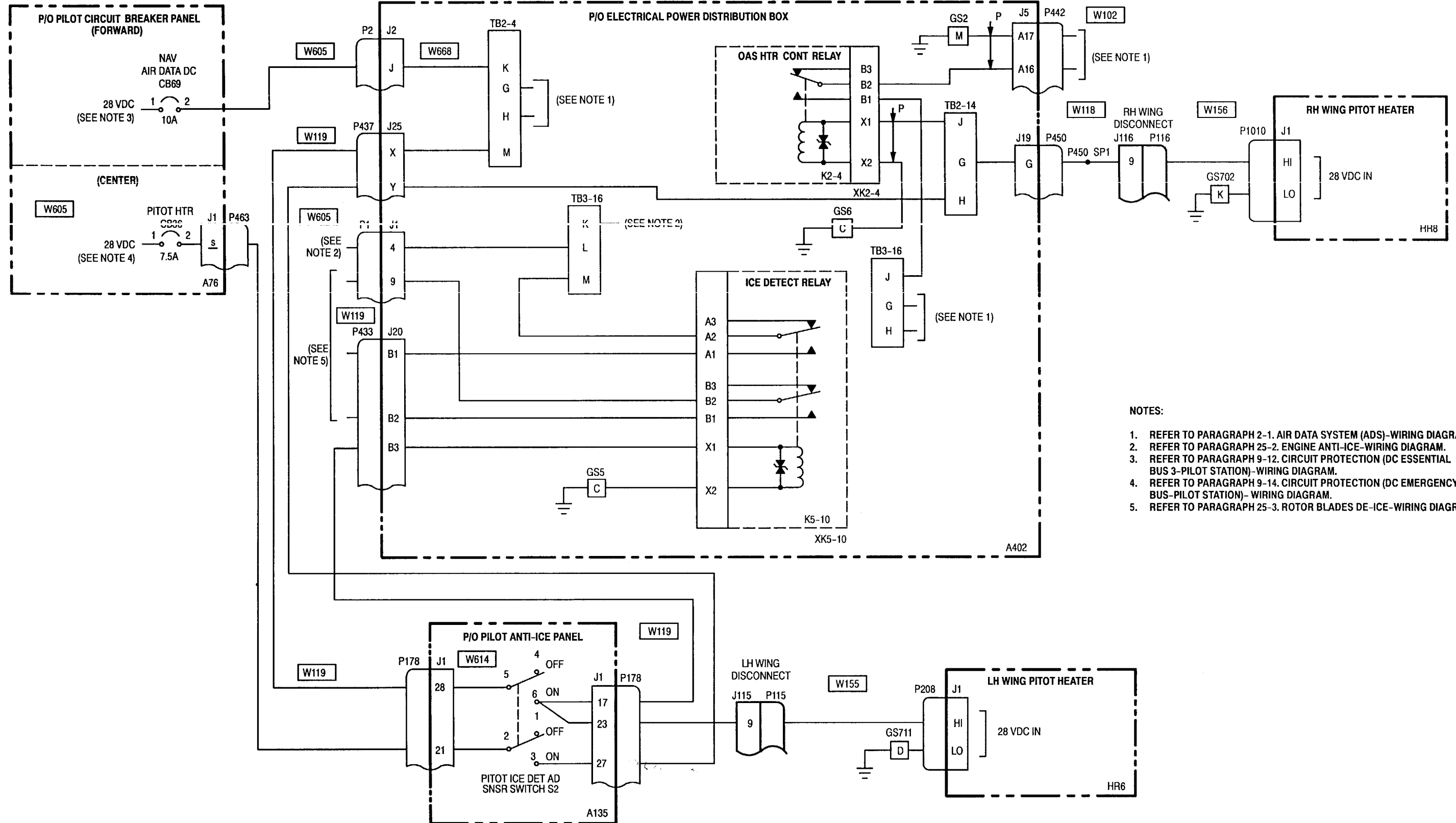
25-3. ROTOR BLADES DE-ICE - WIRING DIAGRAM (cont)



NOTES:

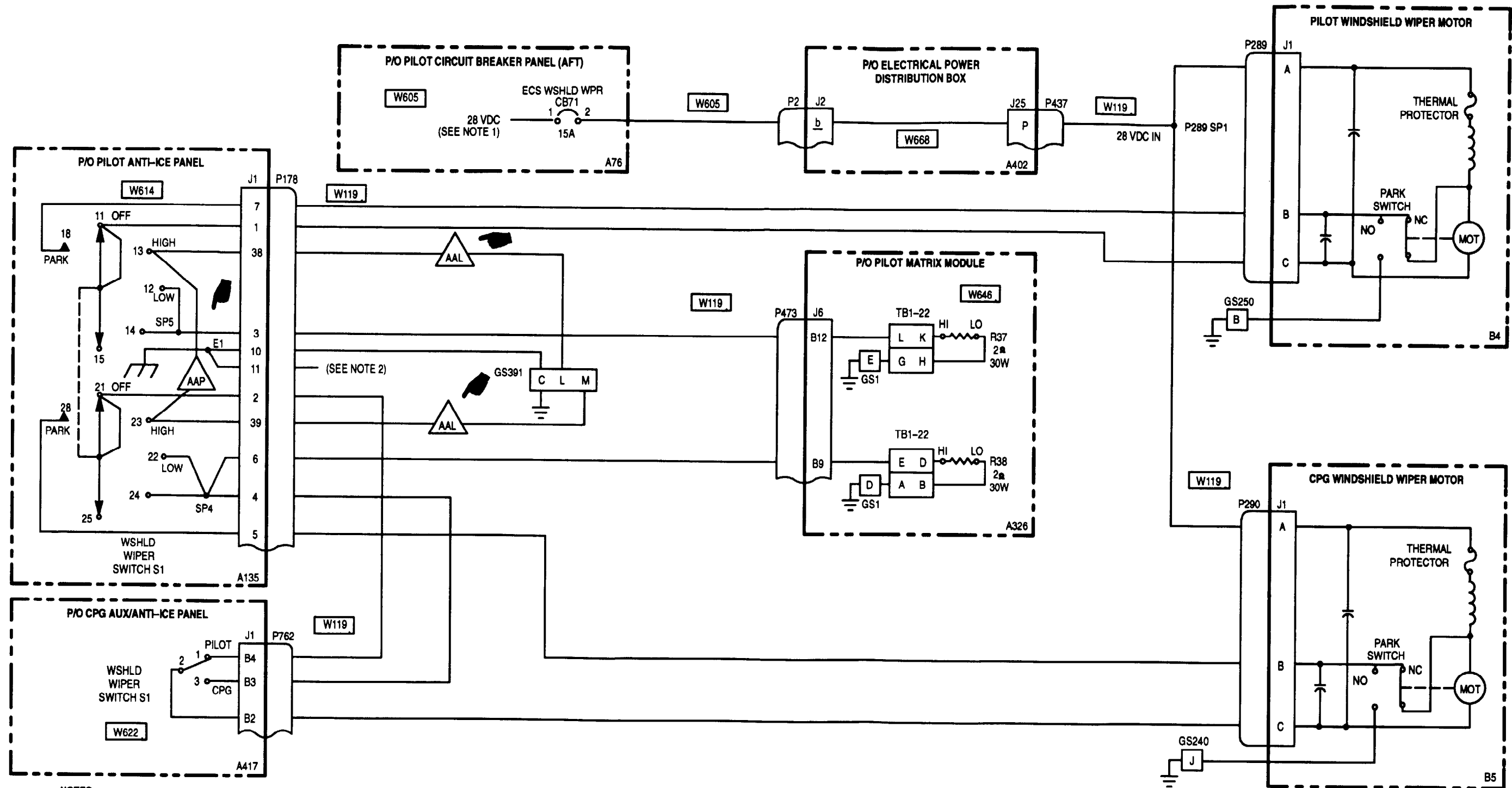
1. REFER TO PARAGRAPH 9-12. CIRCUIT PROTECTION (DC ESSENTIAL BUS 3-PILOT STATION)-WIRING DIAGRAM.
2. REFER TO PARAGRAPH 9-7. CIRCUIT PROTECTION (AC ESSENTIAL BUS 2-PILOT STATION)-WIRING DIAGRAM.
3. RESISTANCE VALUES AT EACH TAIL ROTOR BLADE WHEN DISCONNECTED FROM THE PARALLEL CIRCUIT ARE 37.8 TO 45.7 OHMS.
4. REFER TO PARAGRAPH 25-2. ENGINE ANTI-ICE-WIRING DIAGRAM.
5. REFER TO PARAGRAPH 25-4. PITOT ANTI-ICE-WIRING DIAGRAM.
6. REFER TO PARAGRAPH 9-1. AC ELECTRICAL POWER GENERATION-WIRING DIAGRAM.
7. AVERAGE RESISTANCE VALUES FOR TAIL ROTOR BLADES ARE 8.86 TO 12.36 OHMS AT - 20.0° TO 50.0° C.
8. 2 VDC OUT-FAIL.
28 VDC OUT-NORMAL.
9. 2 VDC IN-FAIL.
28 VDC IN-NORMAL.
10. BITE FAILURE OUTPUT 28 VDC-SENSE HEAD 0-2 VDC-SIGNAL PROCESSOR.
11. 28 VDC OUT OF TOLERANCE SIGNAL-TRIGGERS MUX BITE INPUT.

25-4. PITOT ANTI-ICE - WIRING DIAGRAM



- NOTES:
1. REFER TO PARAGRAPH 2-1. AIR DATA SYSTEM (ADS)-WIRING DIAGRAM
 2. REFER TO PARAGRAPH 25-2. ENGINE ANTI-ICE-WIRING DIAGRAM.
 3. REFER TO PARAGRAPH 9-12. CIRCUIT PROTECTION (DC ESSENTIAL BUS 3-PILOT STATION)-WIRING DIAGRAM.
 4. REFER TO PARAGRAPH 9-14. CIRCUIT PROTECTION (DC EMERGENCY BUS-PILOT STATION)- WIRING DIAGRAM.
 5. REFER TO PARAGRAPH 25-3. ROTOR BLADES DE-ICE-WIRING DIAGRAM.

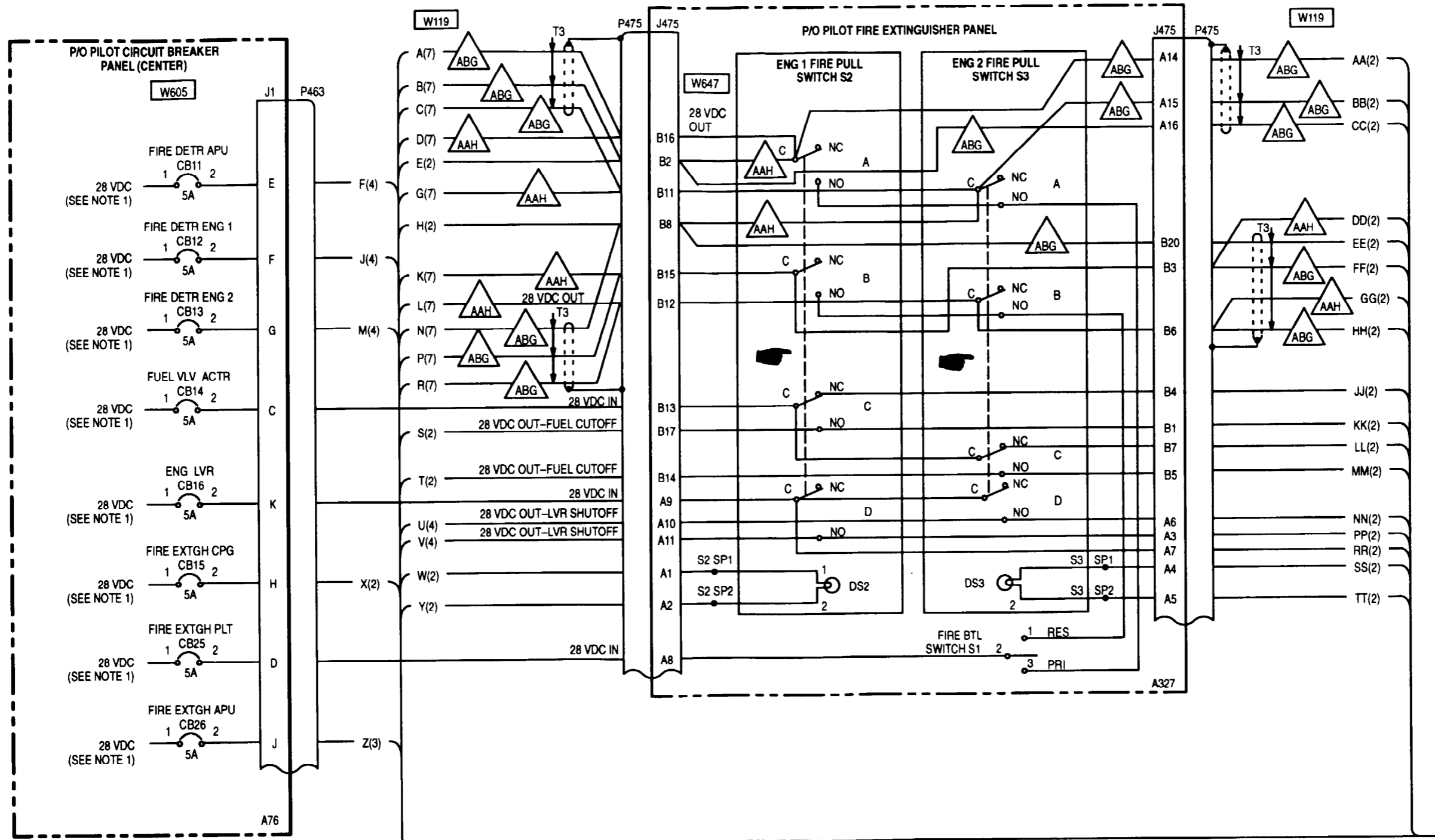
25-5. WINDSHIELD WIPERS - WIRING DIAGRAM



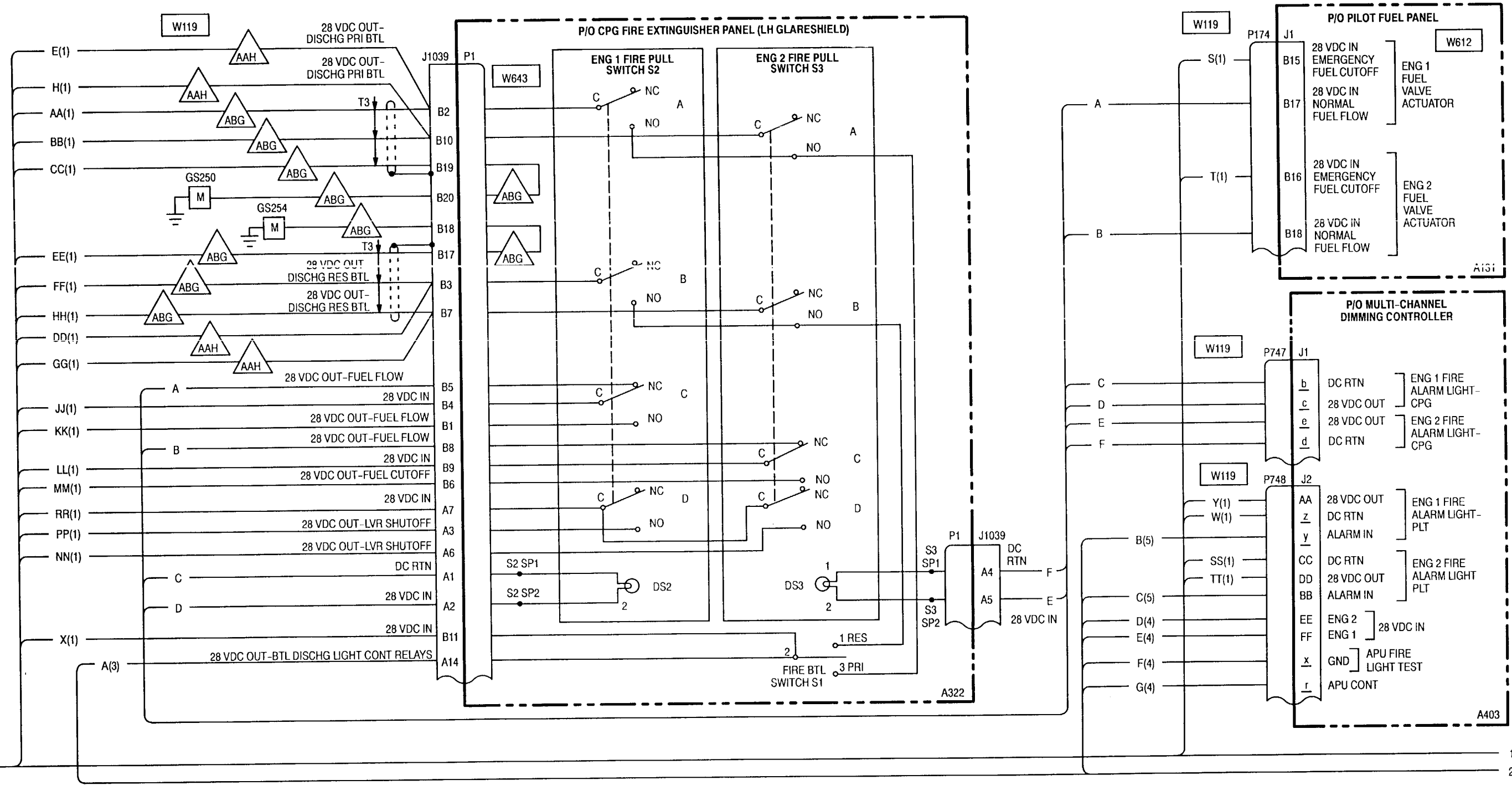
NOTES:

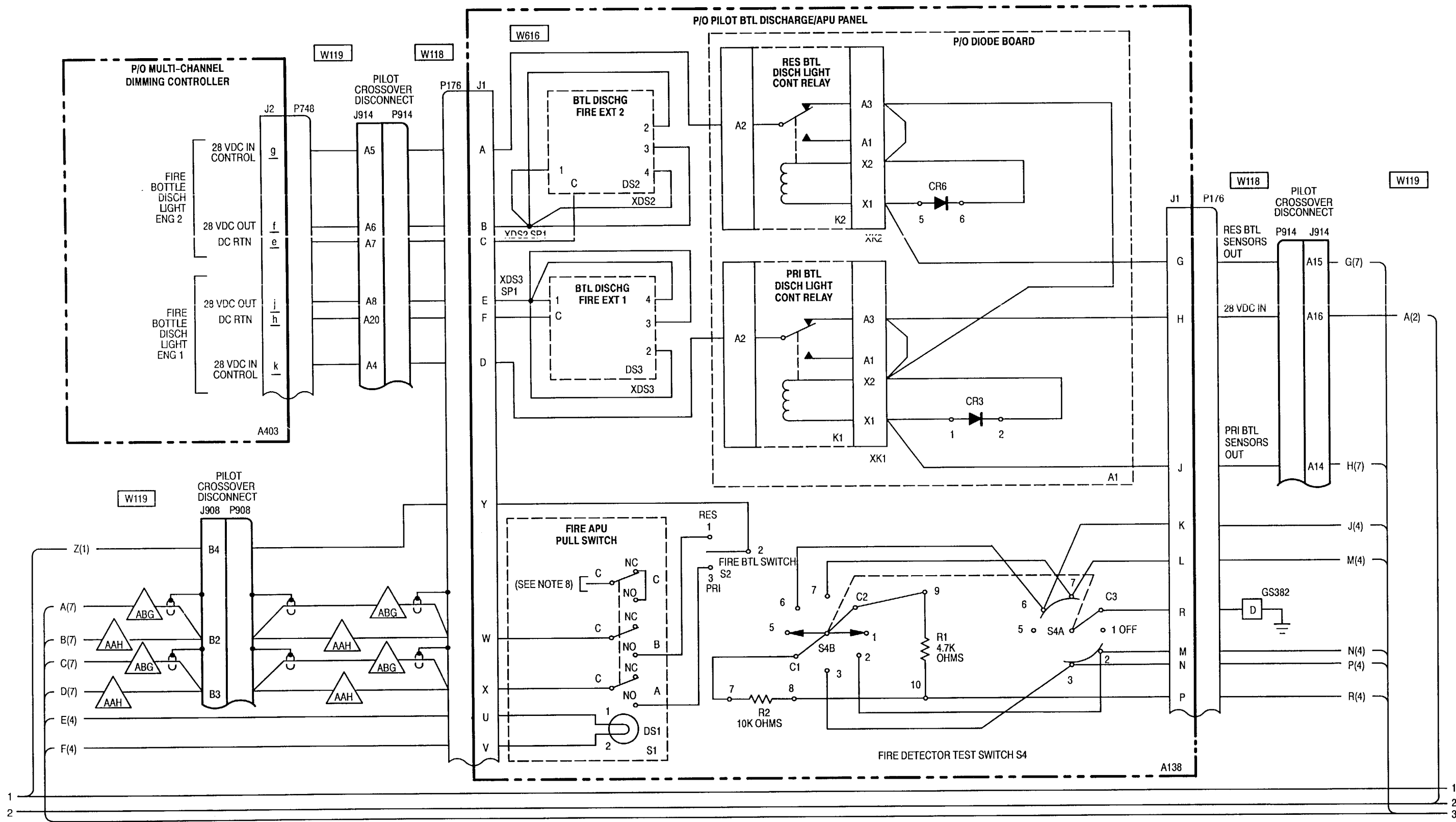
1. REFER TO PARAGRAPH 9-9. CIRCUIT PROTECTION (DC ESSENTIAL BUS 1-PILOT STATION)- WIRING DIAGRAM.
2. REFER TO PARAGRAPH 9-19. EDGE LIGHTS - WIRING DIAGRAM.

25-6. FIRE DETECTION AND EXTINGUISHING -WIRING DIAGRAM

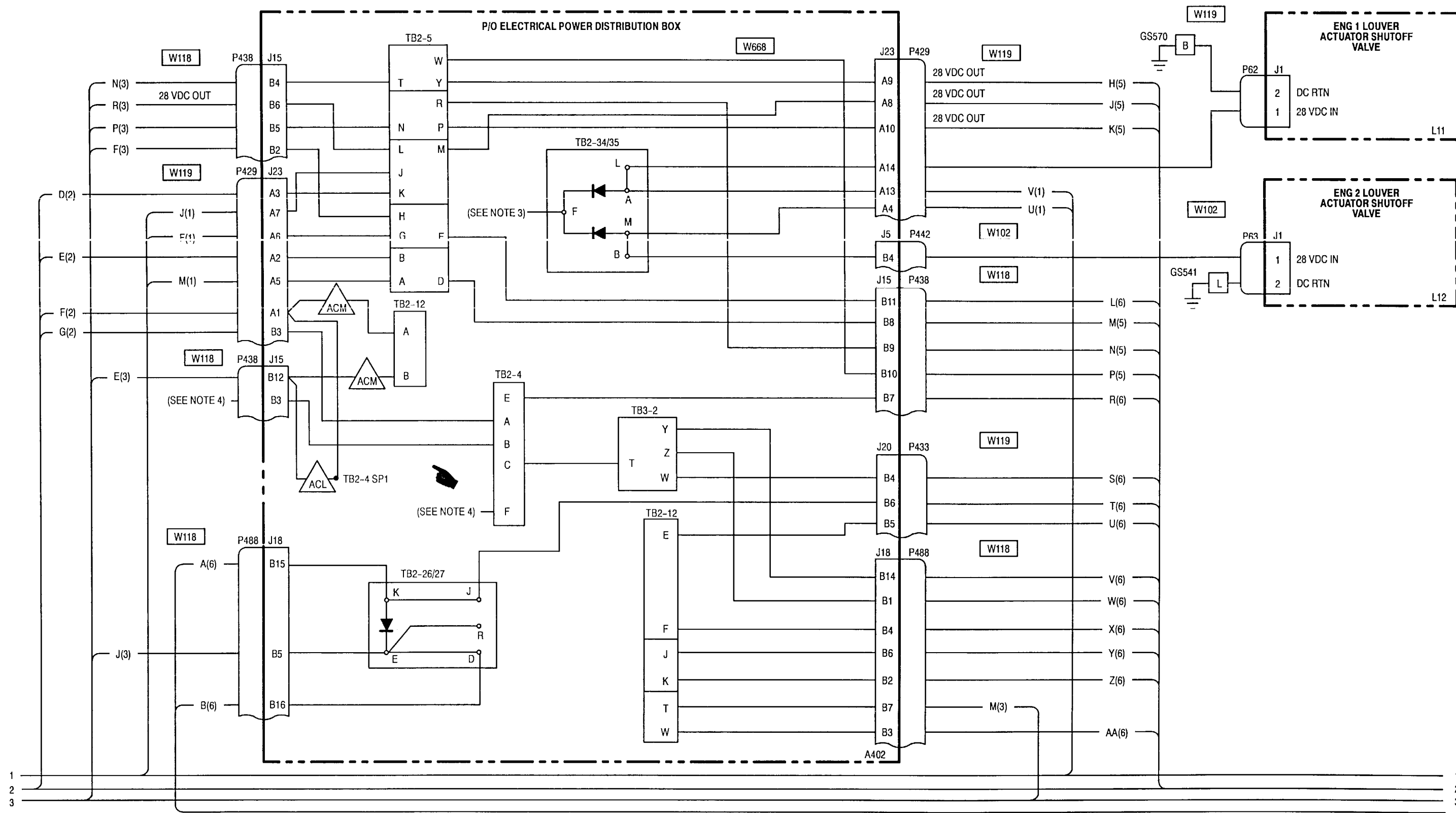


25-6. FIRE DETECTION AND EXTINGUISHING - WIRING DIAGRAM (cont)



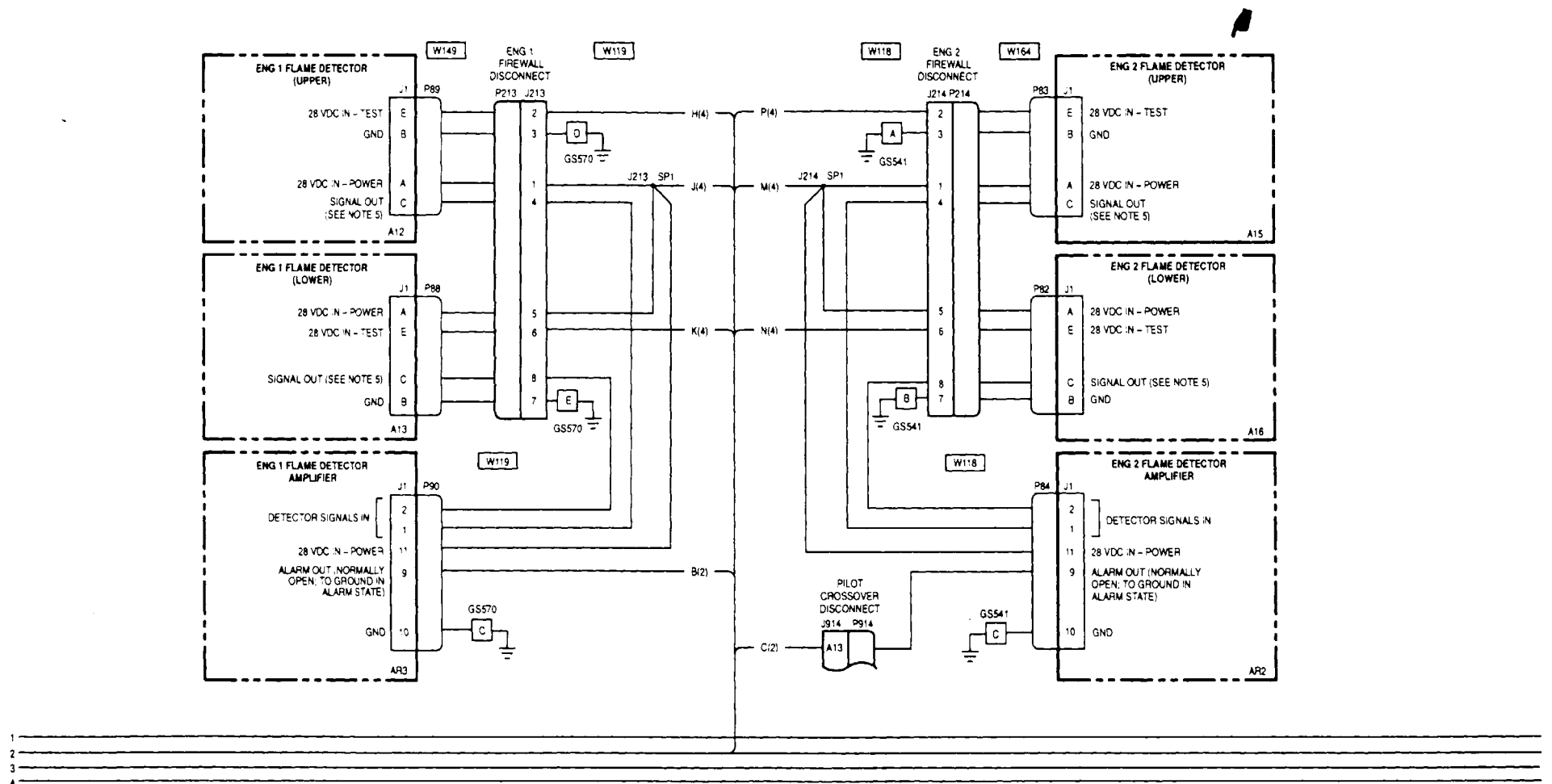


25-6. FIRE DETECTION AND EXTINGUISHING - WIRING DIAGRAM (cont)

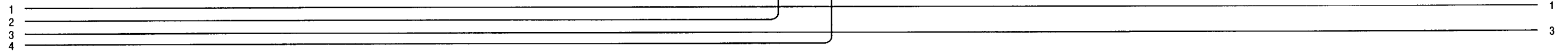
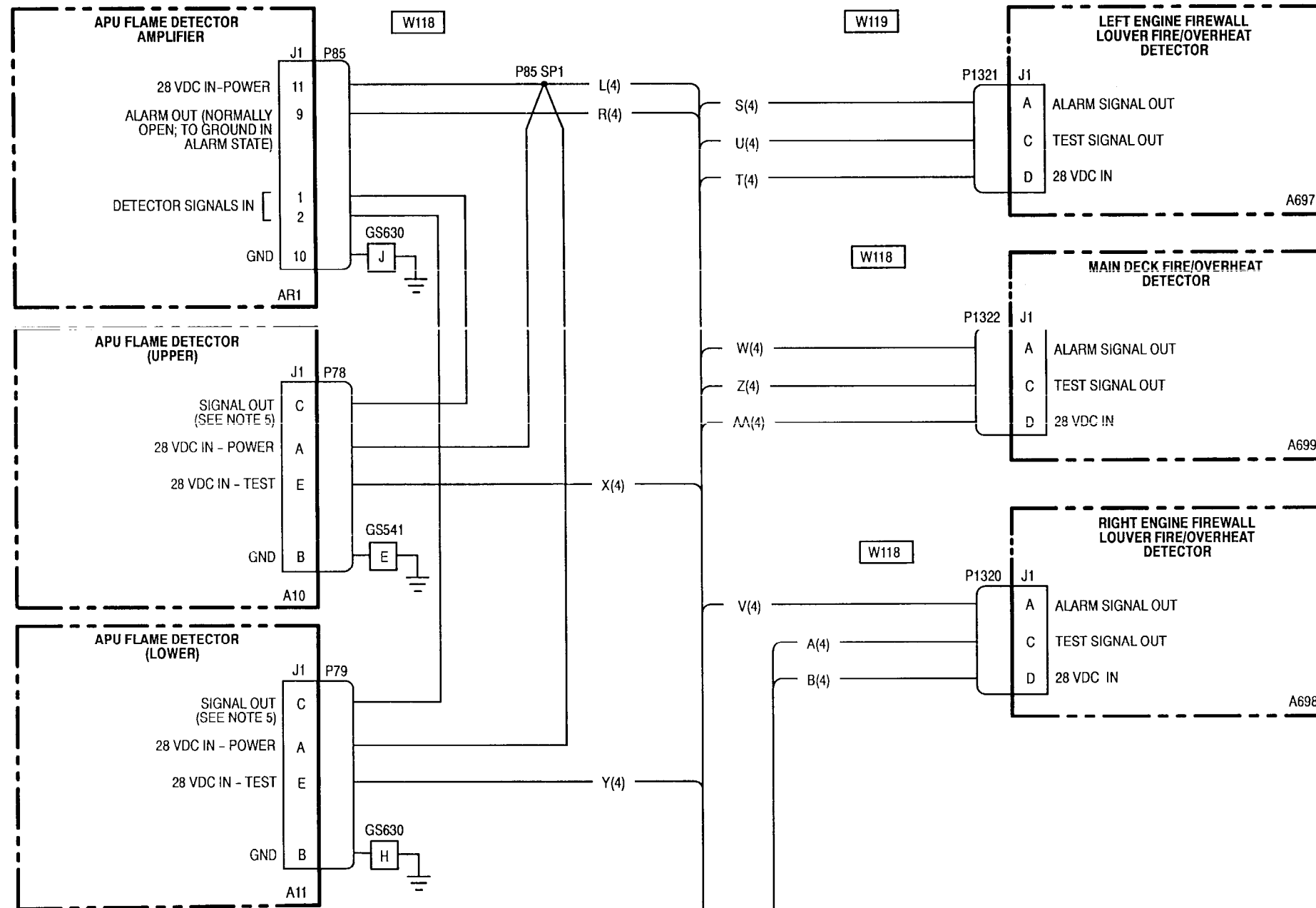


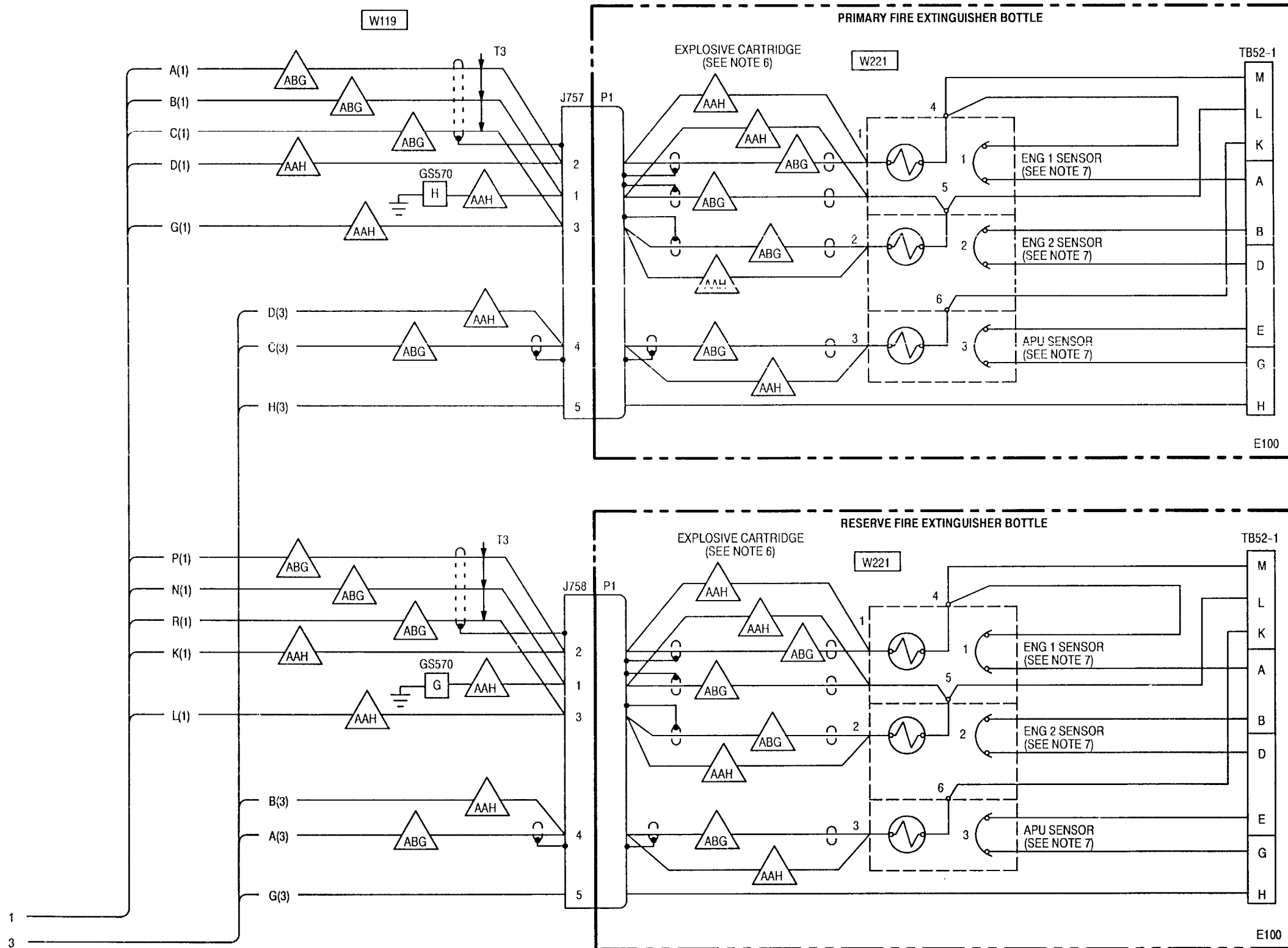
1
2
3

1
2
3
4



25-6. FIRE DETECTION AND EXTINGUISHING - WIRING DIAGRAM (cont)

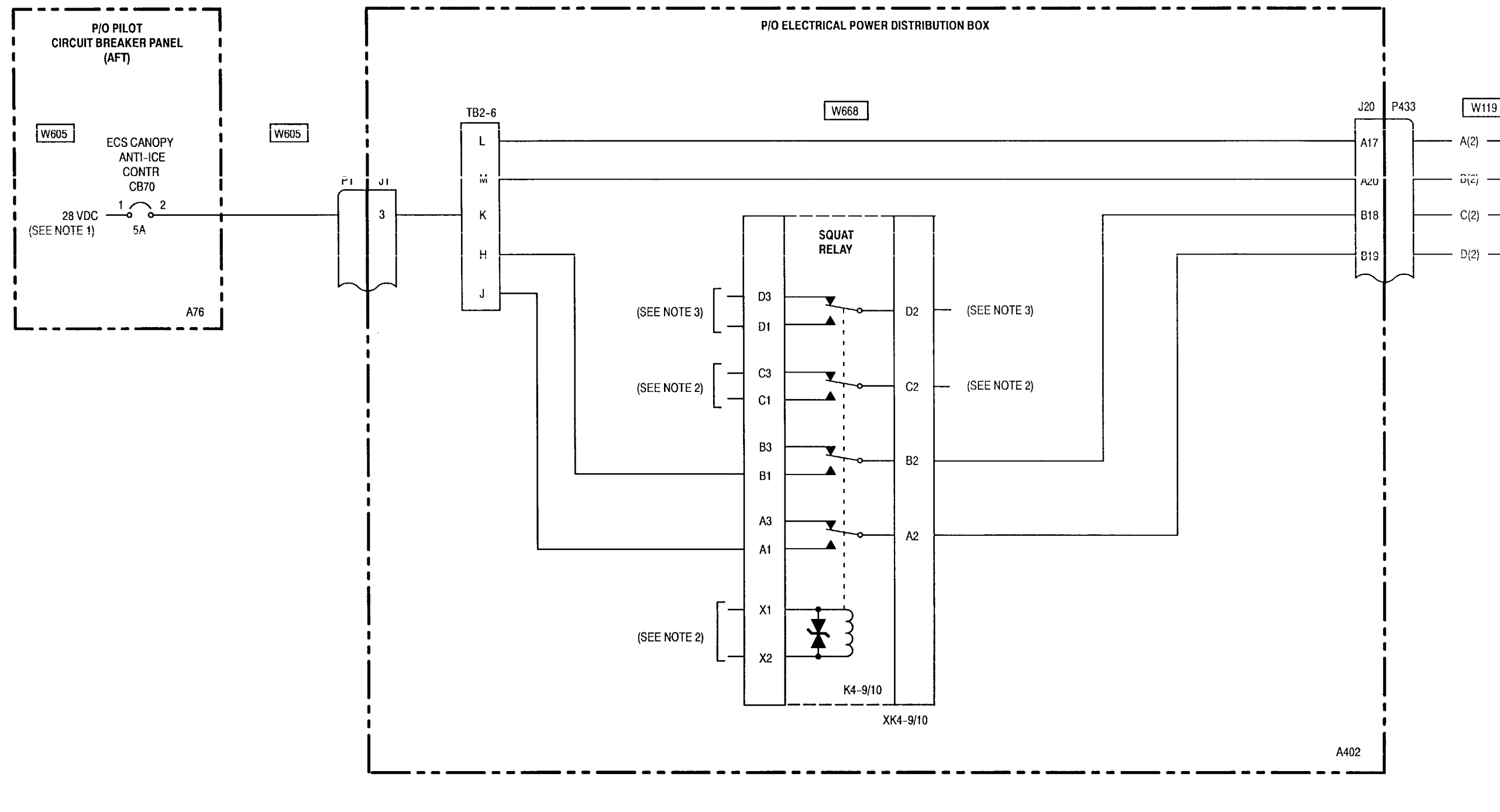


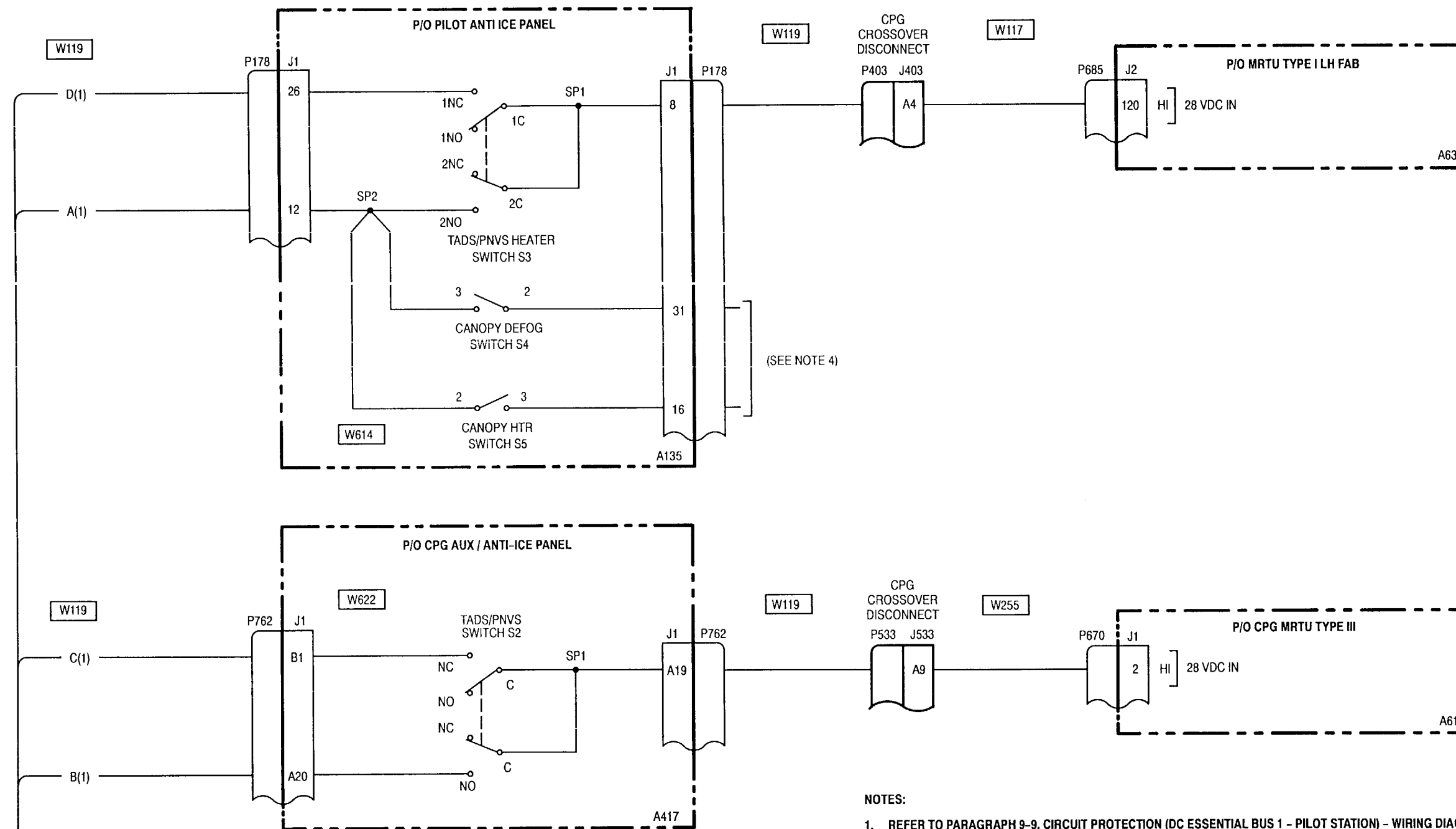


NOTES:

1. REFER TO PARAGRAPH 9-14. CIRCUIT PROTECTION (DC EMERGENCY BUS - PILOT STATION) - WIRING DIAGRAM.
2. REFER TO PARAGRAPH 9-15. CIRCUIT PROTECTION (DC EMERGENCY BUS - CPG STATION) - WIRING DIAGRAM.
3. REFER TO PARAGRAPH 10-1. ENVIRONMENTAL CONTROL SYSTEM (ECS) - WIRING DIAGRAM.
4. REFER TO PARAGRAPH 9-18. CAUTION AND WARNING - WIRING DIAGRAM.
5. FLAME DETECTION FIRE VOLTAGES 15 MIN. 12.5 VDC.
6. ELECTRICALLY ACTUATED.
7. OPENS WHEN BOTTLE EMPTIES.
8. REFER TO PARAGRAPH 5-1. AUXILIARY POWER UNIT (APU) - WIRING DIAGRAM.

25-7. TADS/PNVS ANTI-ICE CONTROL - WIRING DIAGRAM





- NOTES:
1. REFER TO PARAGRAPH 9-9. CIRCUIT PROTECTION (DC ESSENTIAL BUS 1 - PILOT STATION) - WIRING DIAGRAM.
 2. REFER TO PARAGRAPH 4-1. AREA WEAPON SYSTEM (AWS) - WIRING DIAGRAM.
 3. REFER TO PARAGRAPH 6-1. INTERCOMMUNICATION - WIRING DIAGRAM.
 4. REFER TO PARAGRAPH 25-1. CANOPY DEFOG AND ANTI-ICE - WIRING DIAGRAM.

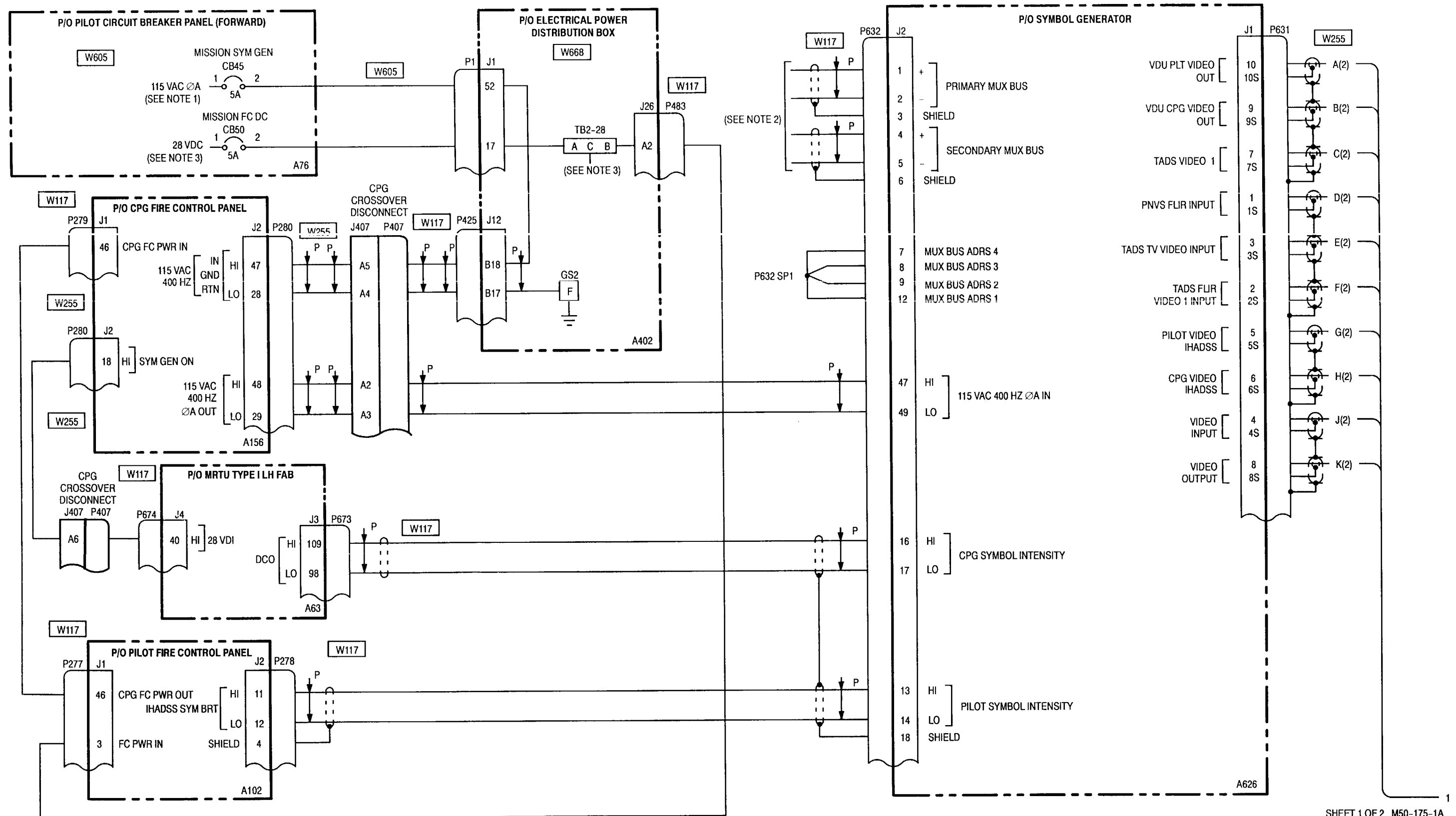
CHAPTER 26. VIDEO EQUIPMENT SYSTEM WIRING DIAGRAM

CHAPTER OVERVIEW

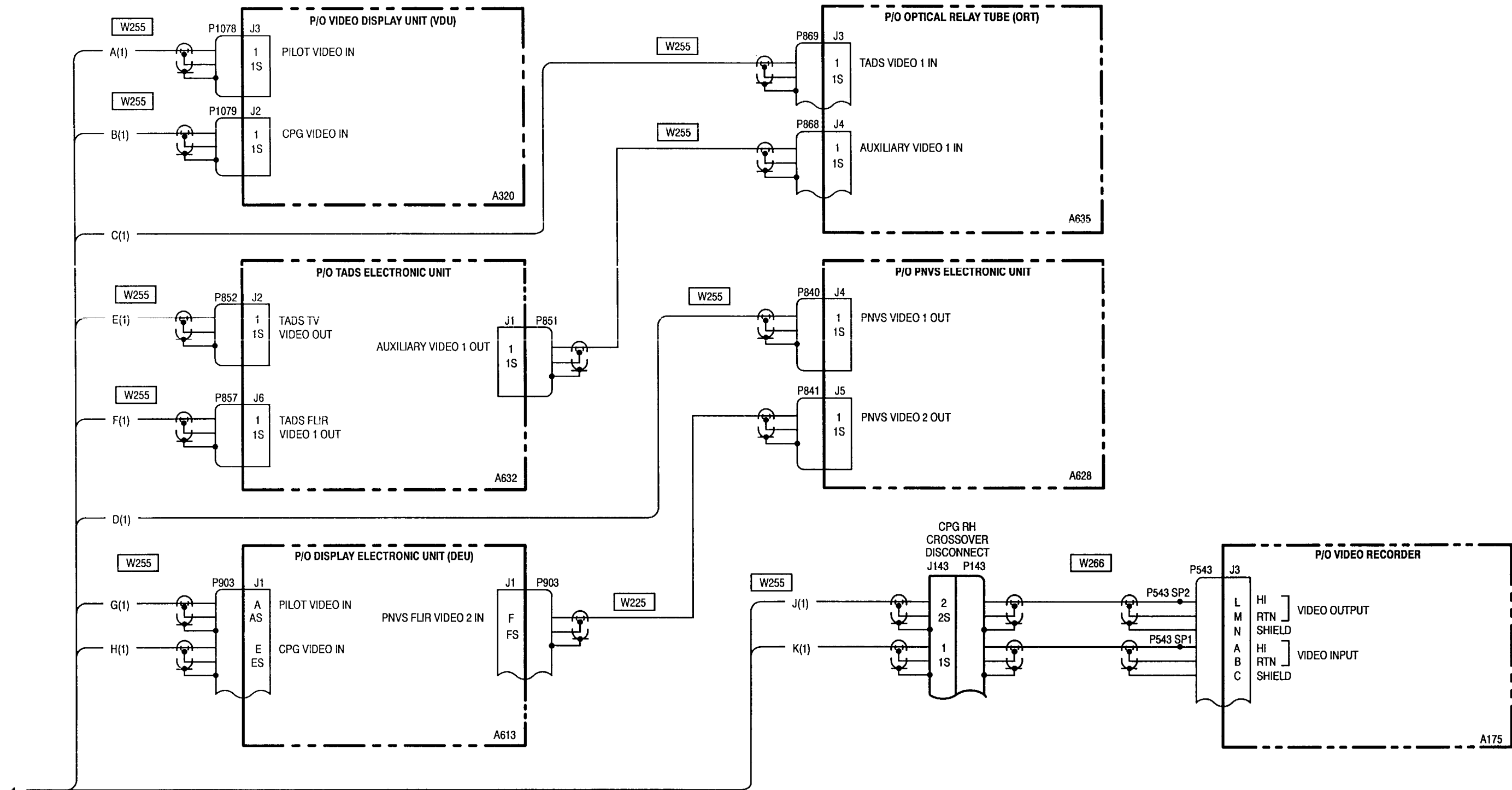
Chapter 26 contains wiring diagrams required for troubleshooting the video equipment system.

Chapter 26 is divided into the following paragraphs:

<u>Para Title</u>	<u>Para No.</u>
Symbol Generator -Wiring Diagram	26-1
Video Display Unit (VDU) and Video Recorder - Wiring Diagram	26-2



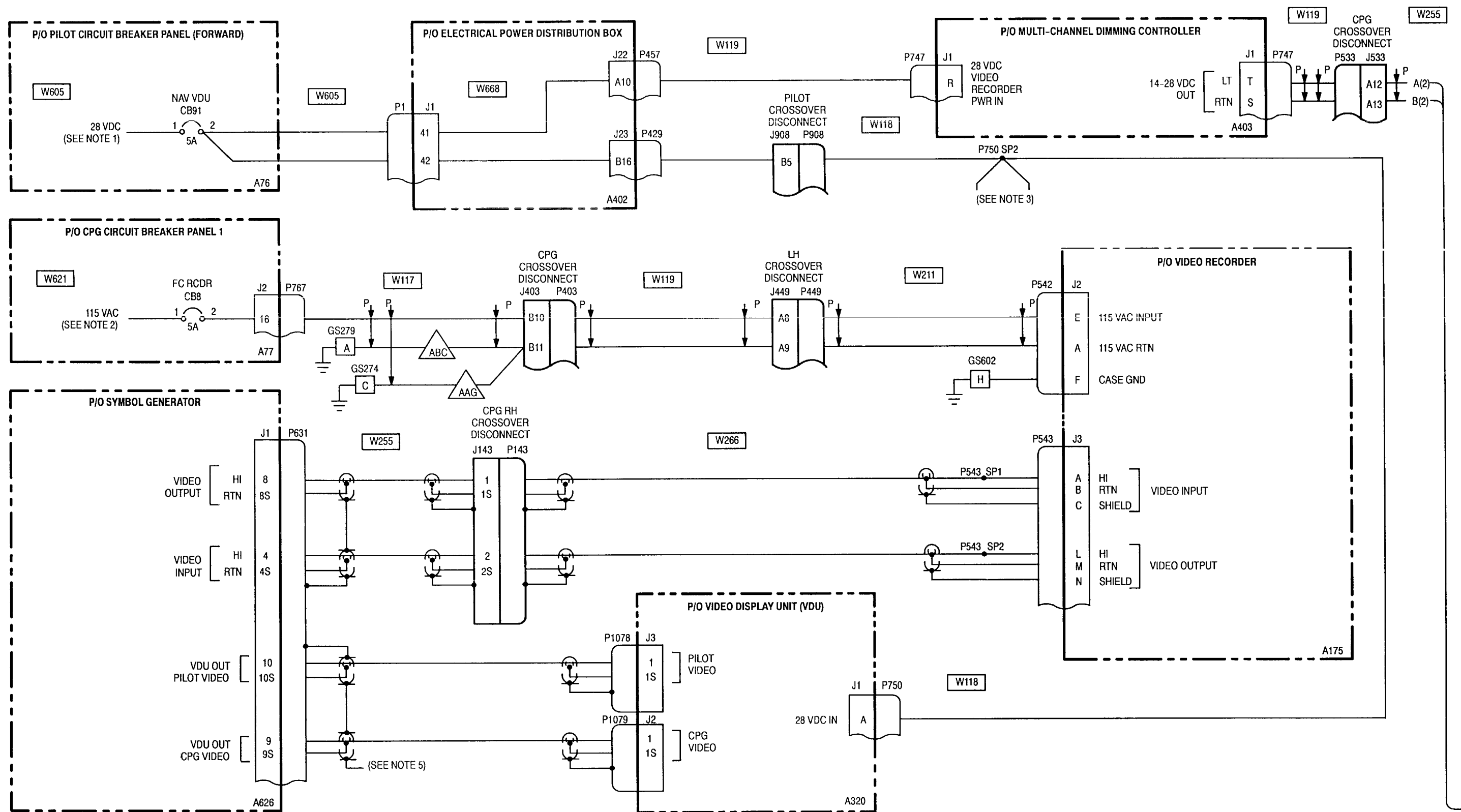
26-1. SYMBOL GENERATOR - WIRING DIAGRAM (cont)



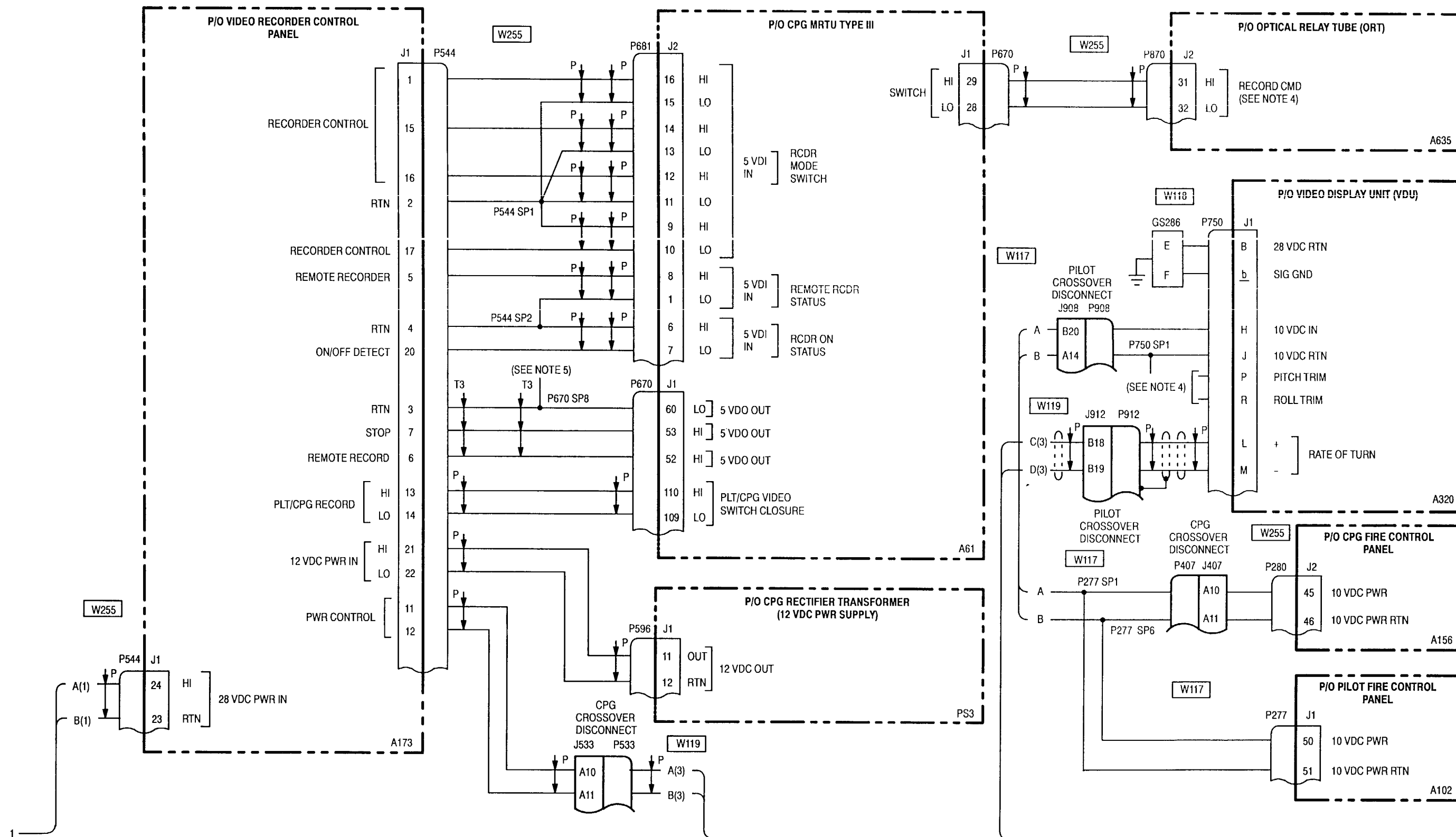
NOTES:

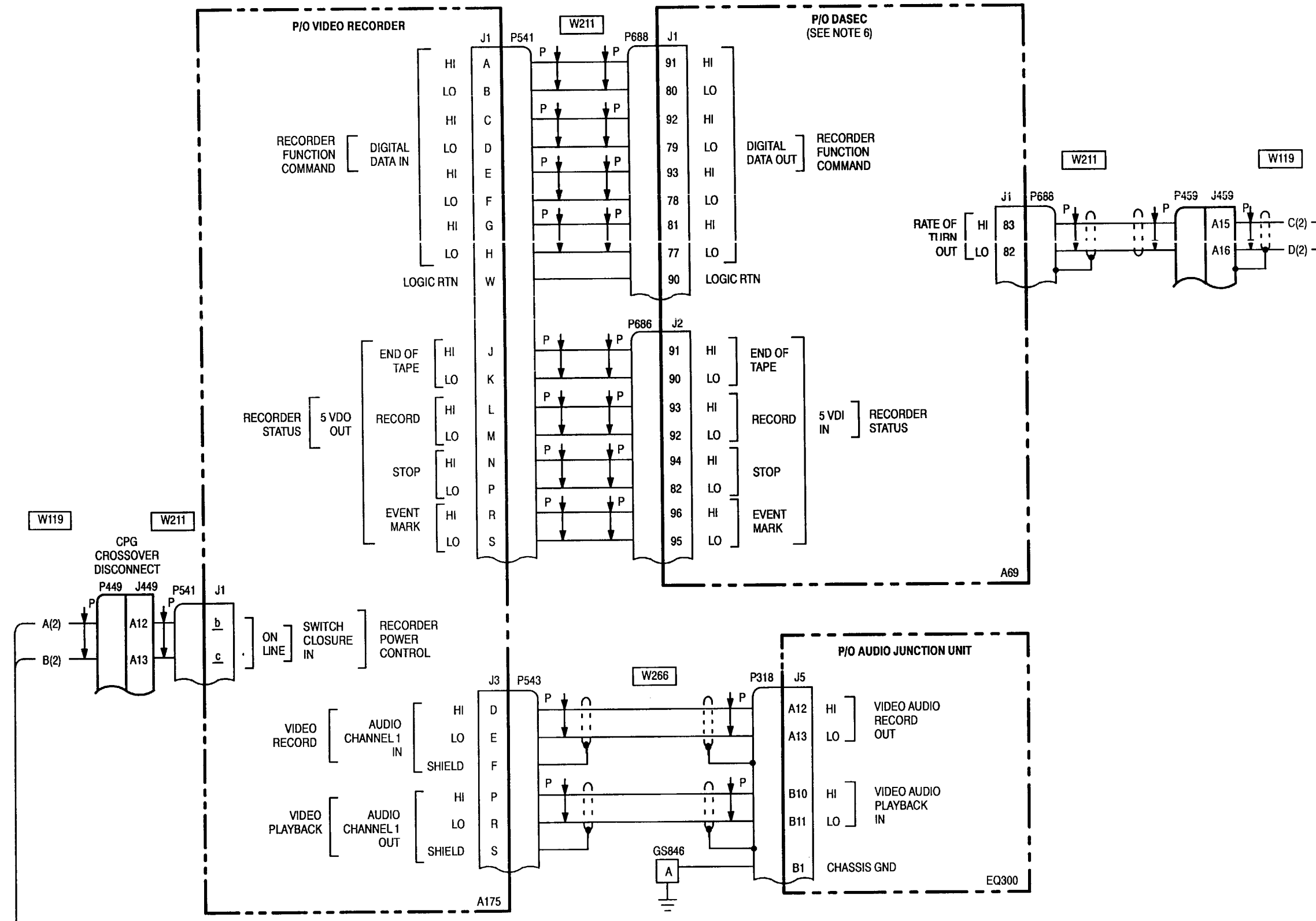
1. REFER TO PARAGRAPH 9-5. CIRCUIT PROTECTION (AC ESSENTIAL BUS 1-PILOT STATION) - WIRING DIAGRAM.
2. REFER TO PARAGRAPH 19-1. MULTIPLEX - WIRING DIAGRAM.
3. REFER TO PARAGRAPH 4-1. AREA WEAPON SYSTEM (AWS) - WIRING DIAGRAM.

26-2. VIDEO DISPLAY UNIT (VDU) AND VIDEO RECORDER – WIRING DIAGRAM



26-2. VIDEO DISPLAY UNIT (VDU) AND VIDEO RECORDER – WIRING DIAGRAM (cont)





NOTES:

1. REFER TO PARAGRAPH 9-11. CIRCUIT PROTECTION (DC ESSENTIAL BUS 2-PILOT STATION) - WIRING DIAGRAM.
2. REFER TO PARAGRAPH 9-8. CIRCUIT PROTECTION (AC ESSENTIAL BUS 2-CPG STATION) - WIRING DIAGRAM.
3. REFER TO PARAGRAPH 9-19. EDGE LIGHTS - WIRING DIAGRAM.
4. REFER TO PARAGRAPH 19-1. MULTIPLEX - WIRING DIAGRAM.
5. REFER TO PARAGRAPH 24-1. TADS - WIRING DIAGRAM.
6. REFER TO PARAGRAPH 12-1. DASE - WIRING DIAGRAM (BUCS DEACTIVATED) (SERIAL NO. 82-23355 THRU 88-0199) OR PARAGRAPH 12-2. DASE - WIRING DIAGRAM (BUCS ACTIVATED) (SERIAL NO. 88-0200 AND SUBSEQUENT).

CHAPTER 27. WIRE HARNESS LOCATION AND ROUTING DIAGRAMS

CHAPTER OVERVIEW

Chapter 27 contains wire harness and routing diagrams required for troubleshooting the helicopter.

Chapter 27 is divided into the following paragraphs:

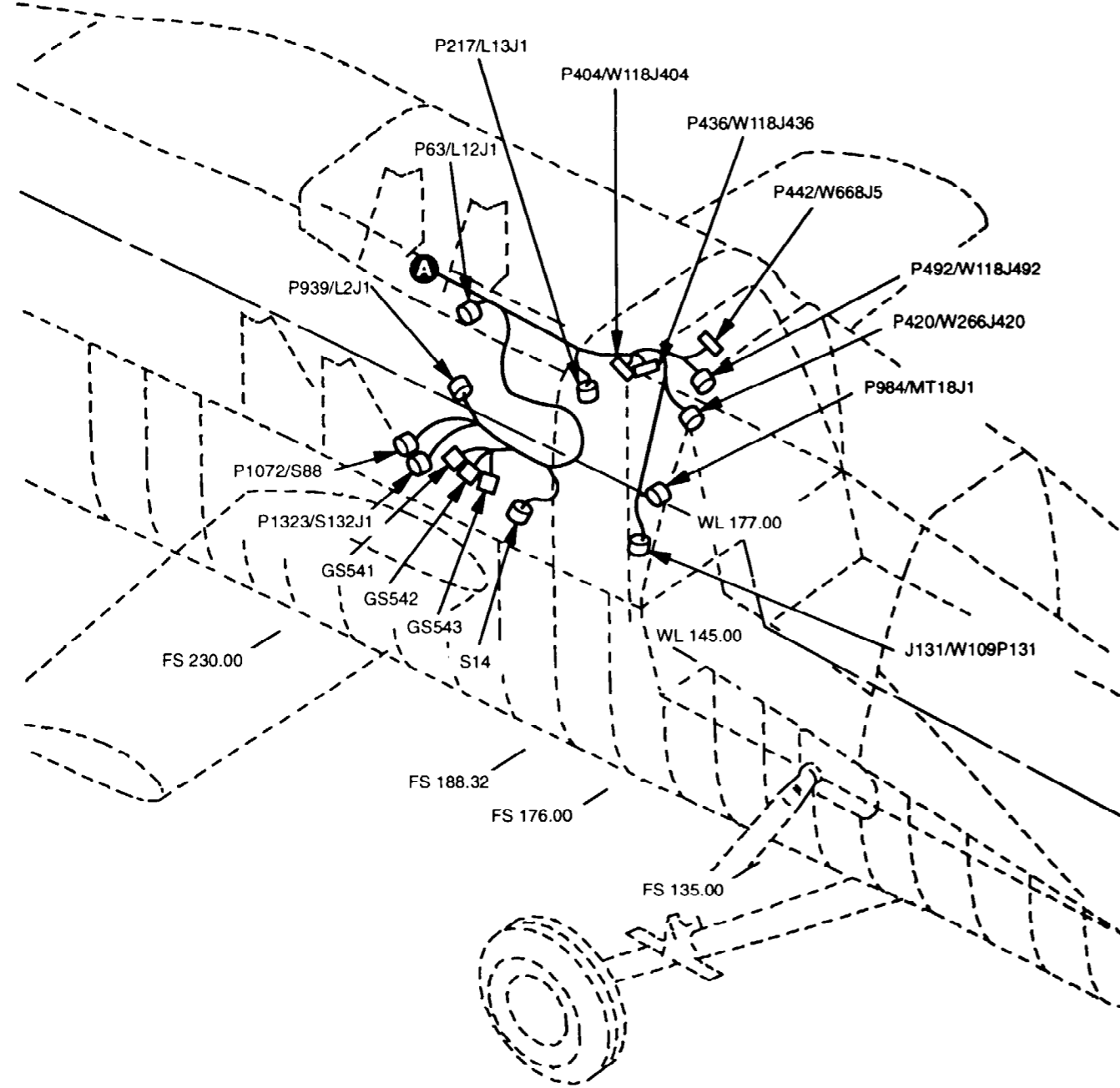
<u>Para Title</u>	<u>Para No.</u>
Wire Harness W102	27-1
Wire Harness W108	27-2
Wire Harness W109	27-3
Wire Harness W110	27-4
Wire Harness W115	27-5
Wire Harness W116	27-6
Wire Harness W117	27-7
Wire Harness W118	27-8
Wire Harness W119	27-9
Wire Harness W143	27-10
Wire Harness W145	27-11
Wire Harness W149	27-12
Wire Harness W154	27-13
Wire Harness W155	27-14
Wire Harness W156	27-15
Wire Harness W157	27-16
Wire Harness W158	27-17
Wire Harness W159	27-18
Wire Harness W161	27-19
Wire Harness W162	27-20
Wire Harness W164	27-21

<u>Para Title</u>	<u>Para No.</u>
Wire Harness W165	27-22
Wire Harness W166	27-23
Wire Harness W167	27-24
Wire Harness W170	27-25
Wire Harness W171	27-26
Wire Harness W172	27-27
Wire Harness W173	27-28
Wire Harness W175	27-29
Wire Harness W176	27-30
Wire Harness W177	27-31
Wire Harness W178	27-32
Wire Harness W181	27-33
Wire Harness W182	27-34
Wire Harness W183	27-35
Wire Harness W184	27-36
Wire Harness W187	27-37
Wire Harness W188	27-38
Wire Harness W190	27-40
Wire Harness W191	27-41
Wire Harness W195	27-42
Wire Harness W197	27-43
Wire Harness W199	27-44
Wire Harness W201	27-45
Wire Harness W202	27-46
Wire Harness W203	27-47
Wire Harness W204	27-48
Wire Harness W205	27-49
Wire Harness W206	27-50
Wire Harness W207	27-51
Wire Harness W209	27-52
Wire Harness W210	27-53
Wire Harness W211	27-54
Wire Harness W212	27-55
Wire Harness W213	27-56
Wire Harness W214	27-57
Wire Harness W215	27-58
Wire Harness W216	27-59

<u>Para Title</u>	<u>Para No.</u>
Wire Harness W217	27-60
Wire Harness W218	27-60.1
Wire Harness W219	27-61
Wire Harness W220	27-62
Wire Harness W221	27-63
Wire Harness W224	27-64
Wire Harness W226	27-64.1
Wire Harness W227	27-64.2
Wire Harness W229	27-64.3
Wire Harness W230	27-64.4
Wire Harness W231	27-64.5
Wire Harness W232	27-64.6
Wire Harness W234	27-64.7
Wire Harness W255	27-65
Wire Harness W261	27-66
Wire Harness W262	27-67
Wire Harness W264	27-68
Wire Harness W266	27-69
Wire Harness W268	27-70
Wire Harness W480	27-70.1
Wire Harness W601	27-71
Wire Harness W602	27-72
Wire Harness W605	27-73
Wire Harness W608	27-74
Wire Harness W609	27-75
Wire Harness W610	27-76
Wire Harness W611	27-77
Wire Harness W612	27-78
Wire Harness W613	27-79
Wire Harness W614	27-80
Wire Harness W615	27-81
Wire Harness W616	27-82
Wire Harness W617	27-83
Wire Harness W618	27-84
Wire Harness W619	27-85
Wire Harness W621	27-86
Wire Harness W622	27-87
Wire Harness W624	27-88

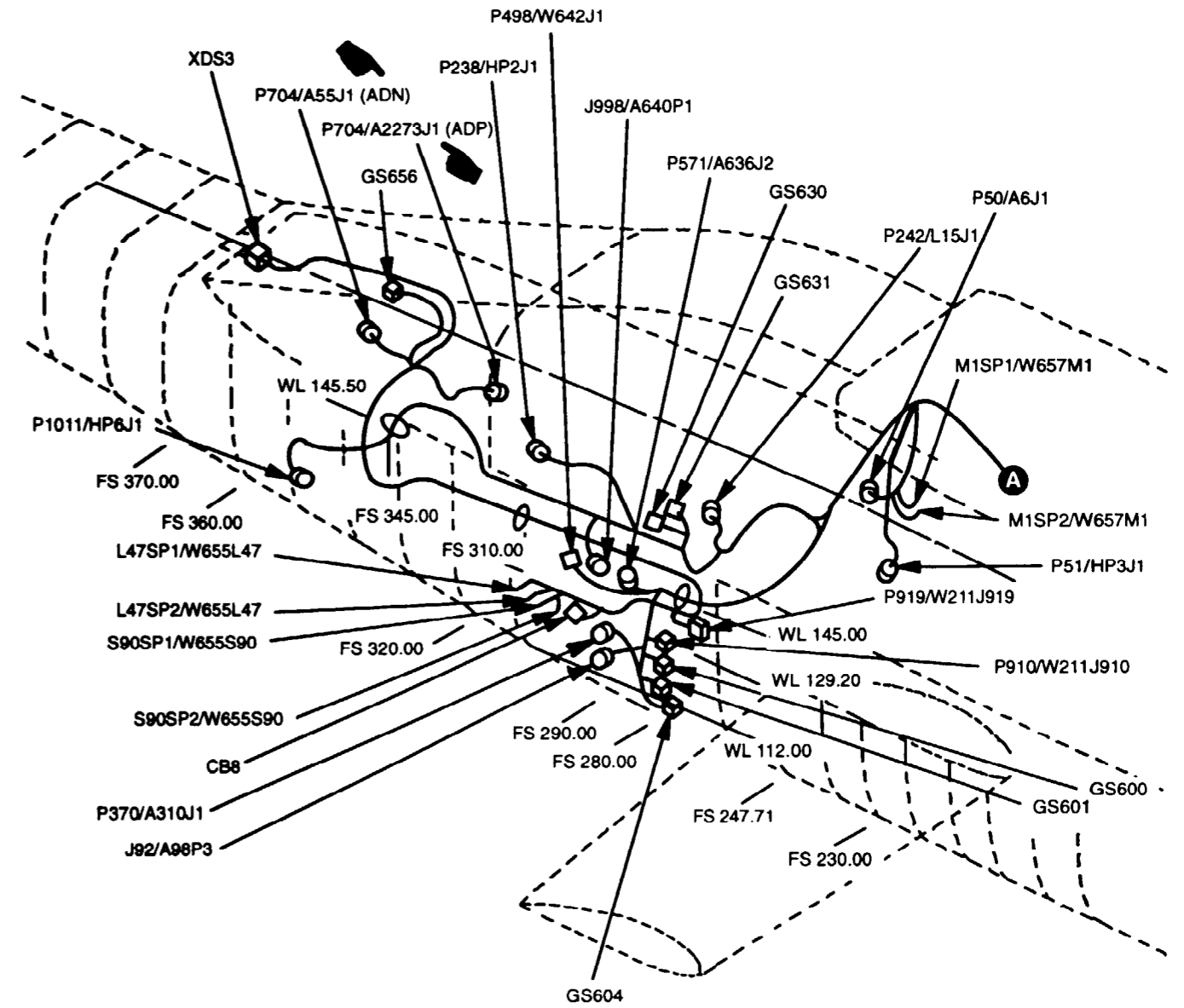
<u>Para Title</u>	<u>Para No.</u>
Wire Harness W625	27-89
Wire Harness W627	27-90
Wire Harness W636	27-91
Wire Harness W637	27-92
Wire Harness W638	27-93
Wire Harness W640	27-94
Wire Harness W641	27-95
Wire Harness W642	27-96
Wire Harness W643	27-97
Wire Harness W644	27-98
Wire Harness W645	27-99
Wire Harness W646	27-100
Wire Harness W647	27-101
Wire Harness W648	27-102
Wire Harness W650	27-103
Wire Harness W651	27-104
Wire Harness W652	27-105
Wire Harness W653	27-106
Wire Harness W654	27-107
Wire Harness W655	27-108
Wire Harness W656	27-109
Wire Harness W657	27-110
Wire Harness W659	27-111
Wire Harness W668	27-112
Wire Harness W670	27-113
Wire Harness W671	27-114
Wire Harness W672	27-115
Wire Harness W673	27-116
Wire Harness W674	27-117

27-1. WIRE HARNESS W102



M50-007-1A

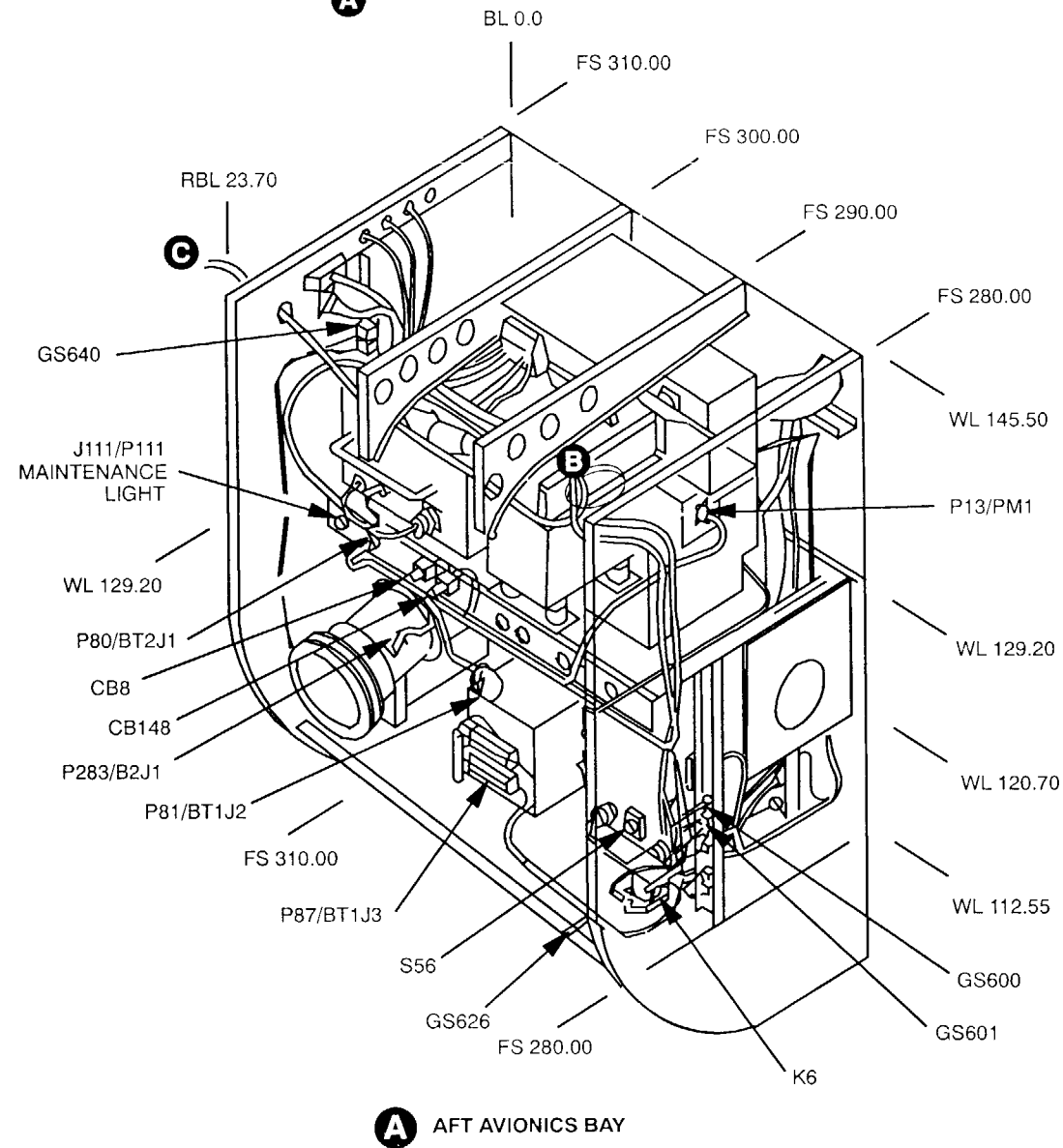
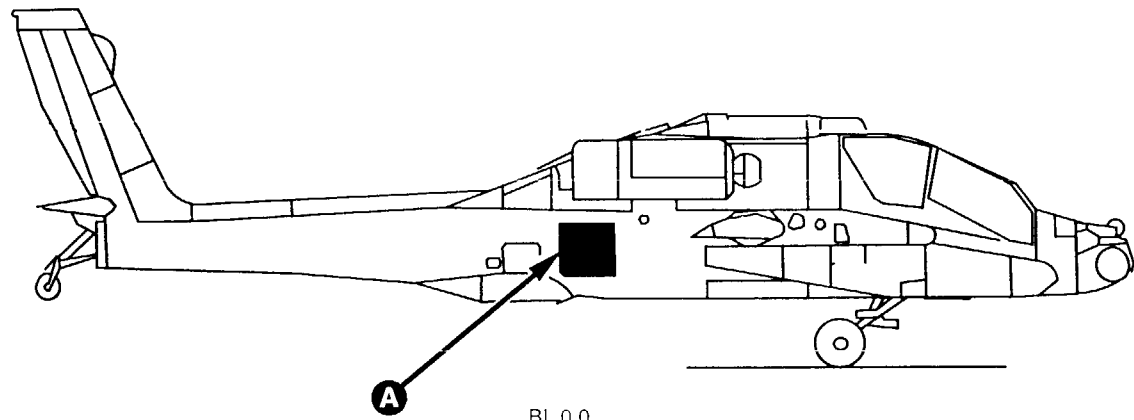
27-1. WIRE HARNESS W102 (cont)



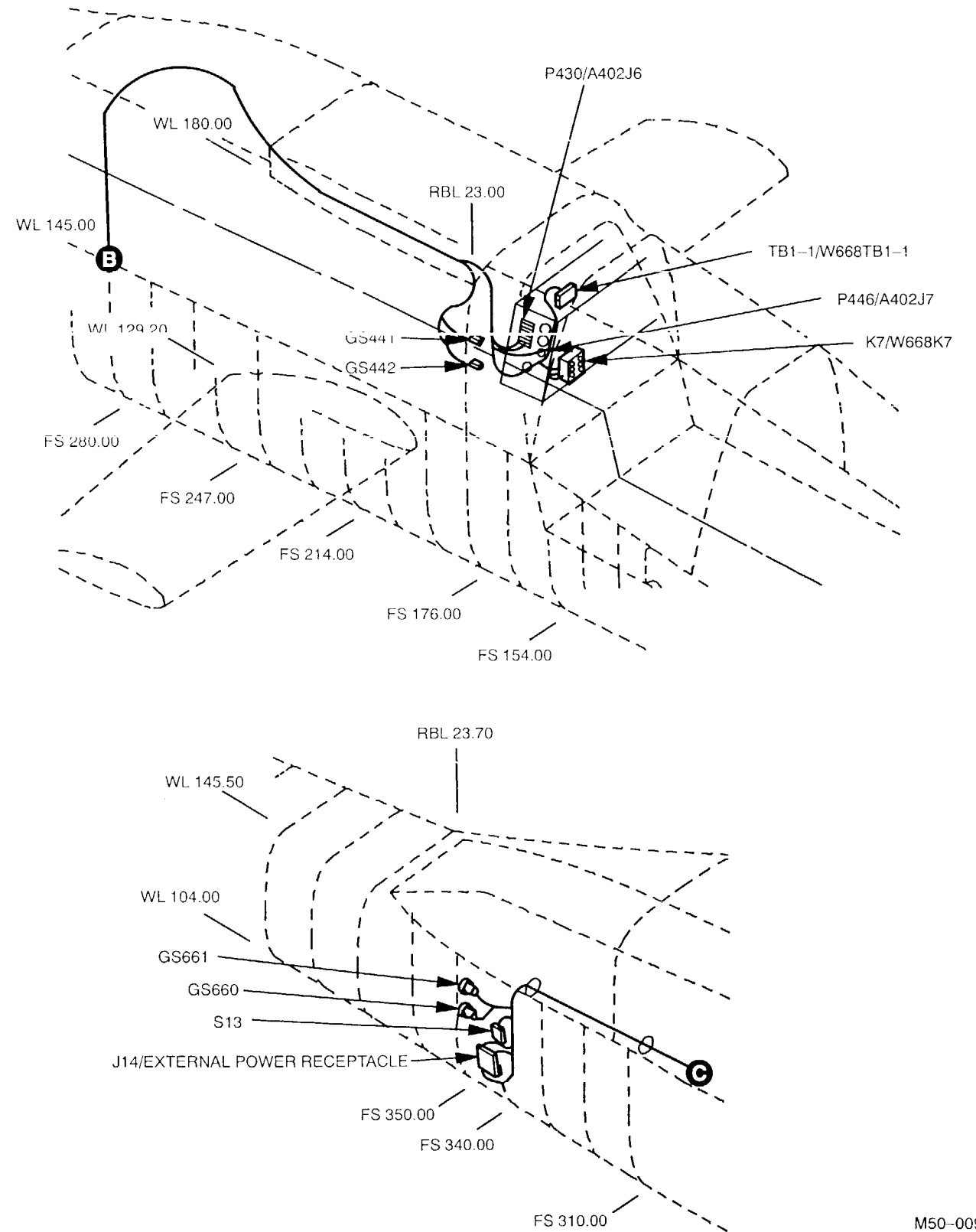
M50-007-2B

27-2. WIRE HARNESS W108

27-2. WIRE HARNESS W108 (cont)

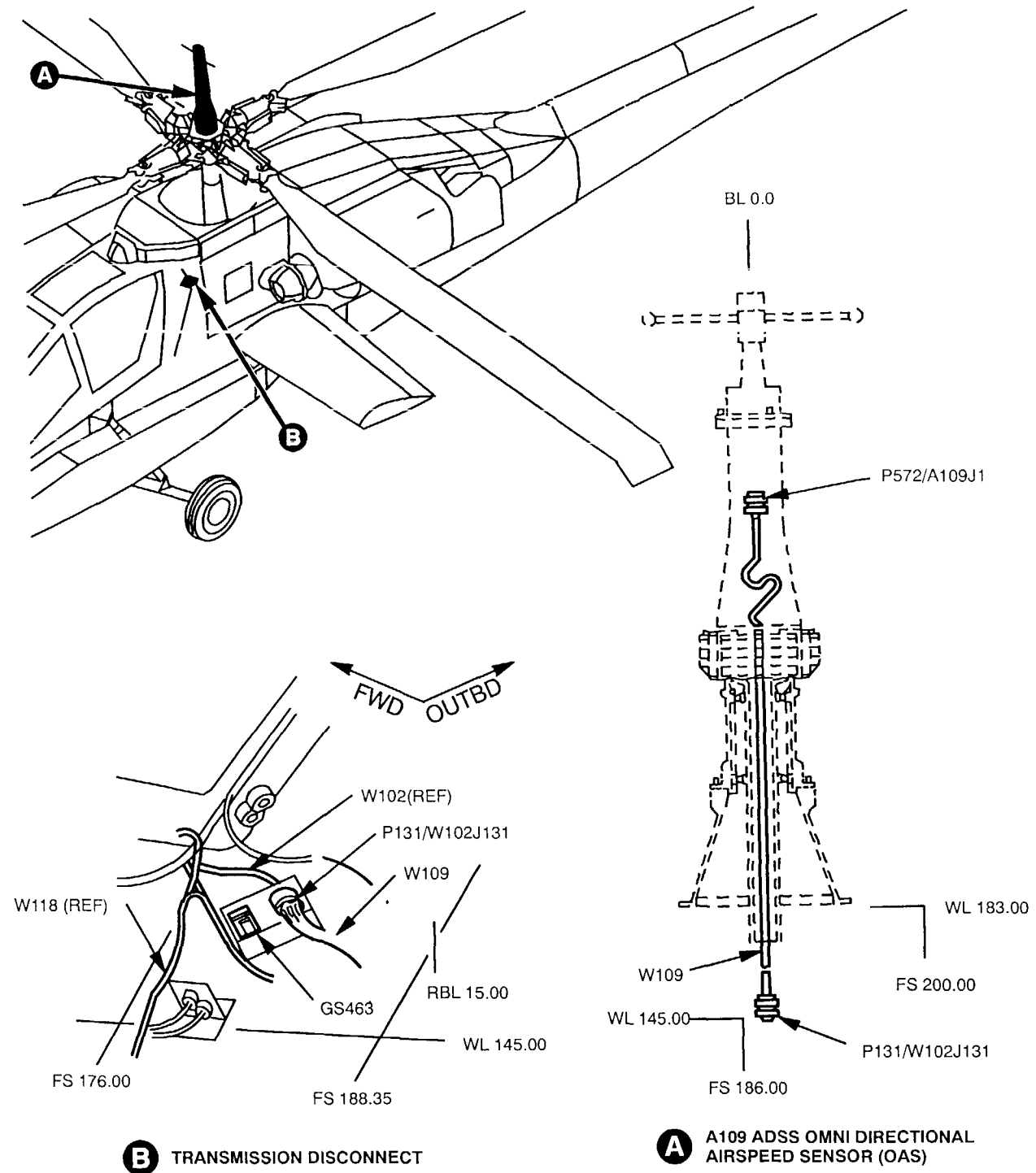


M50-009-1A



M50-009-2

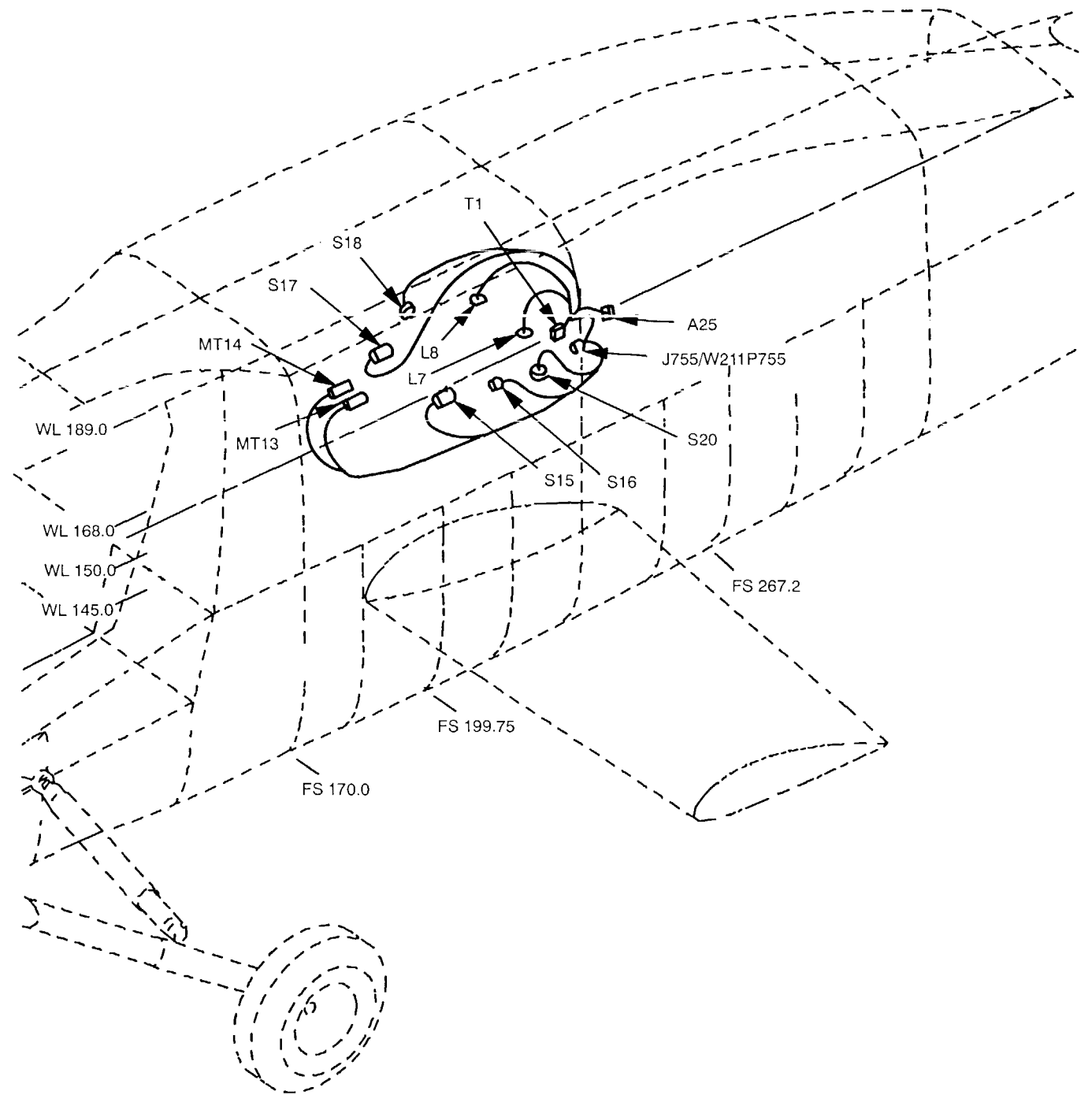
27-3. WIRE HARNESS W109



M50-011A

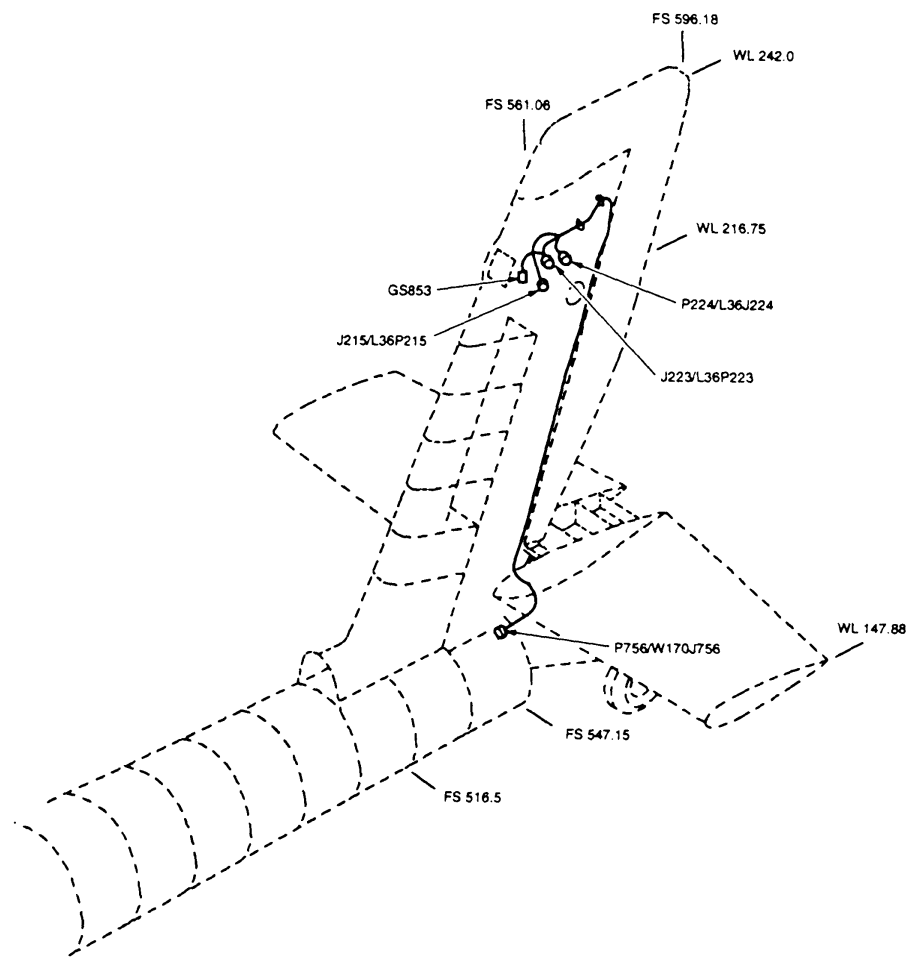
27-4. WIRE HARNESS W110

27-3/27-4



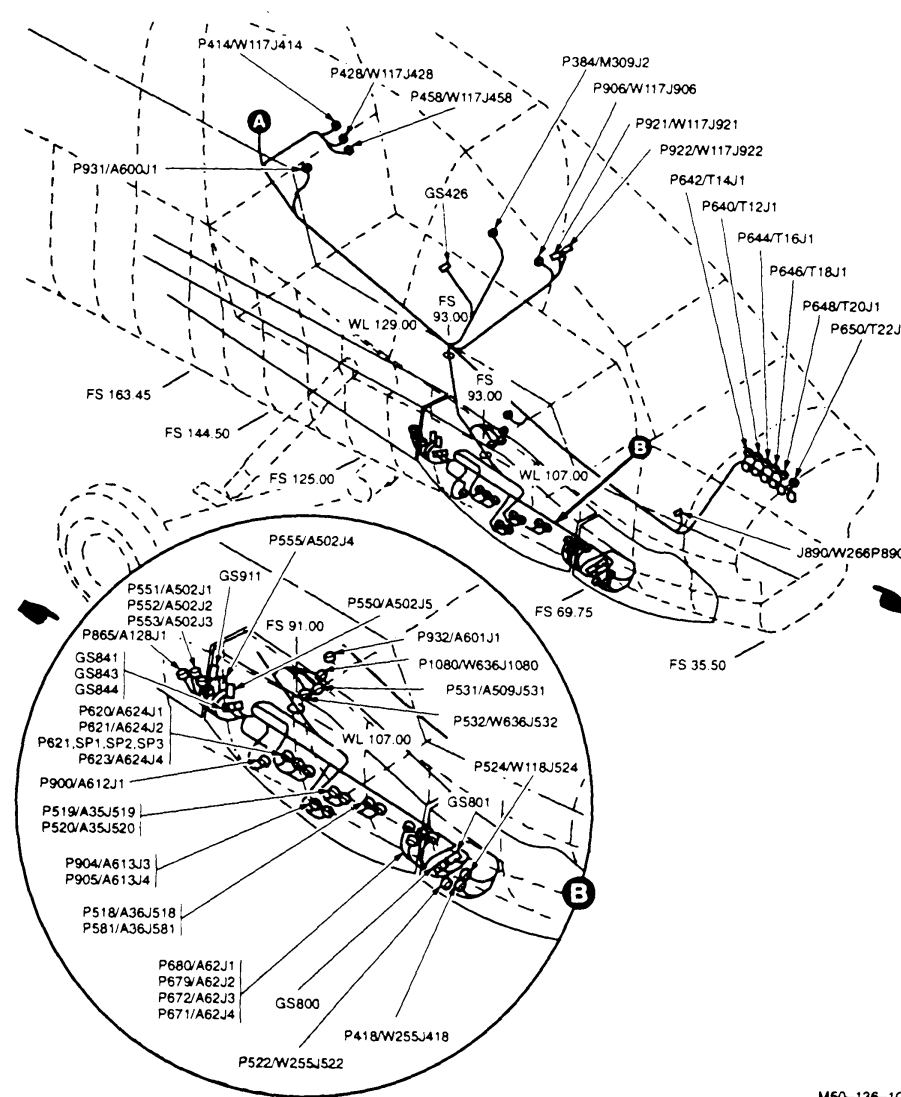
M50-012A

27-5. WIRE HARNESS W115



M50-017A

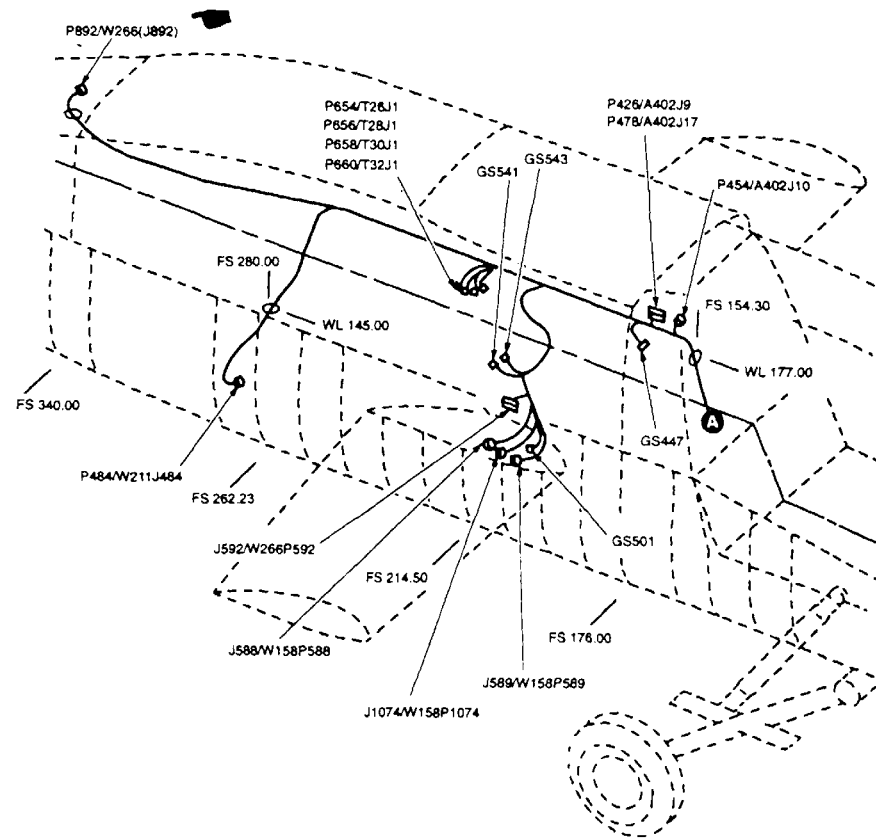
27-6. WIRE HARNESS W116



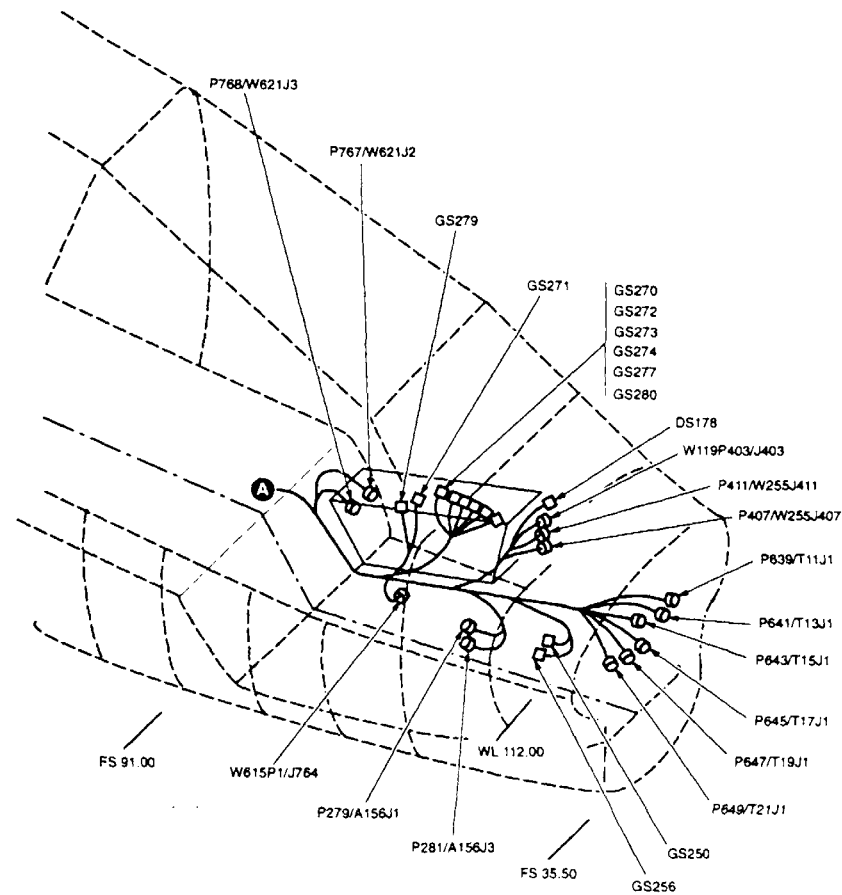
M50-136-1C

27-6. WIRE HARNESS W116 (CONT)

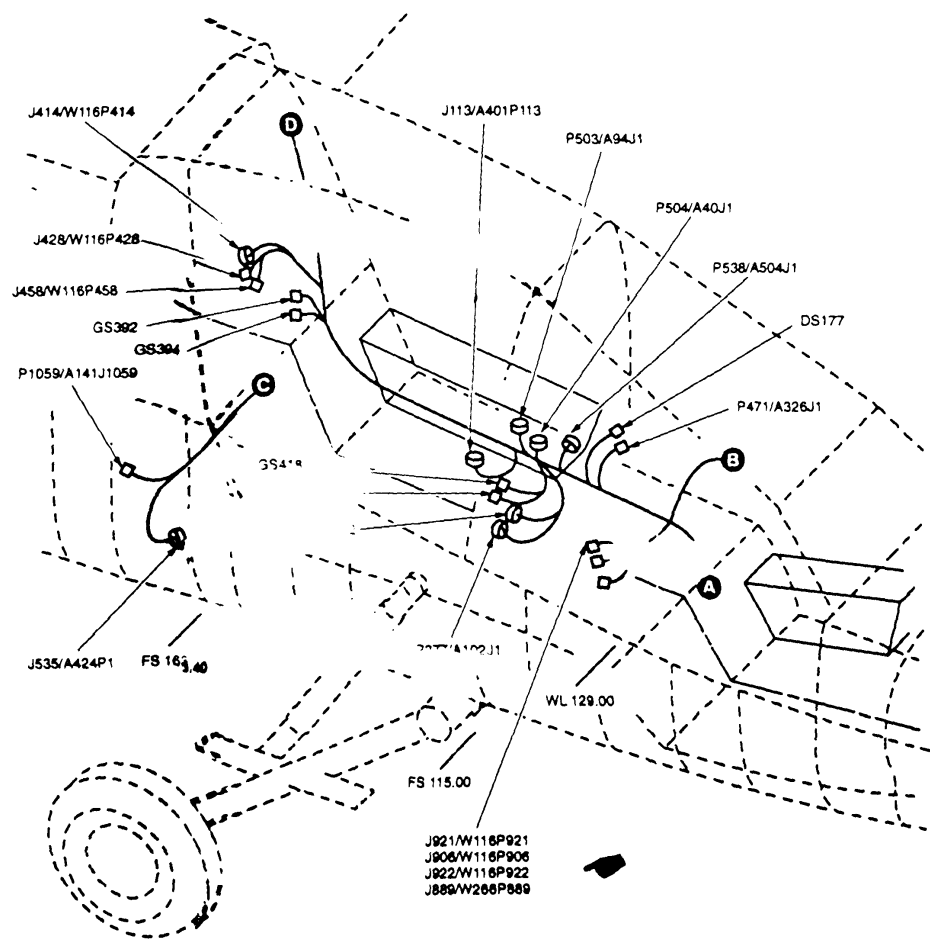
27-7. WIRE HARNESS W117



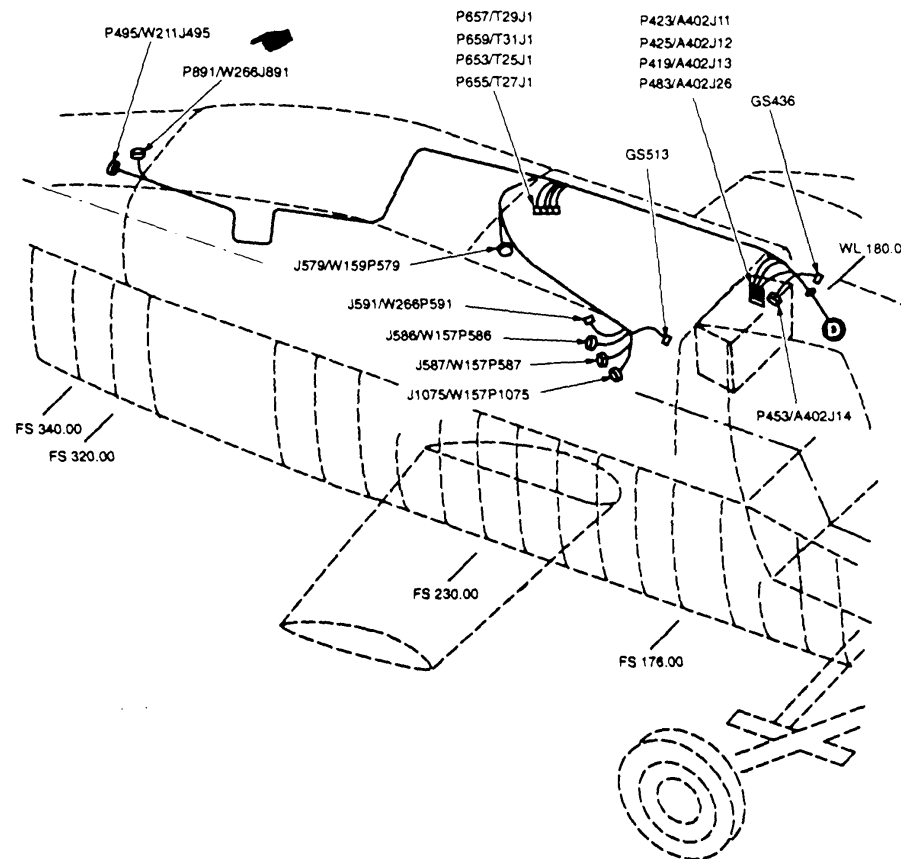
M50-136-2A



M50-049-1

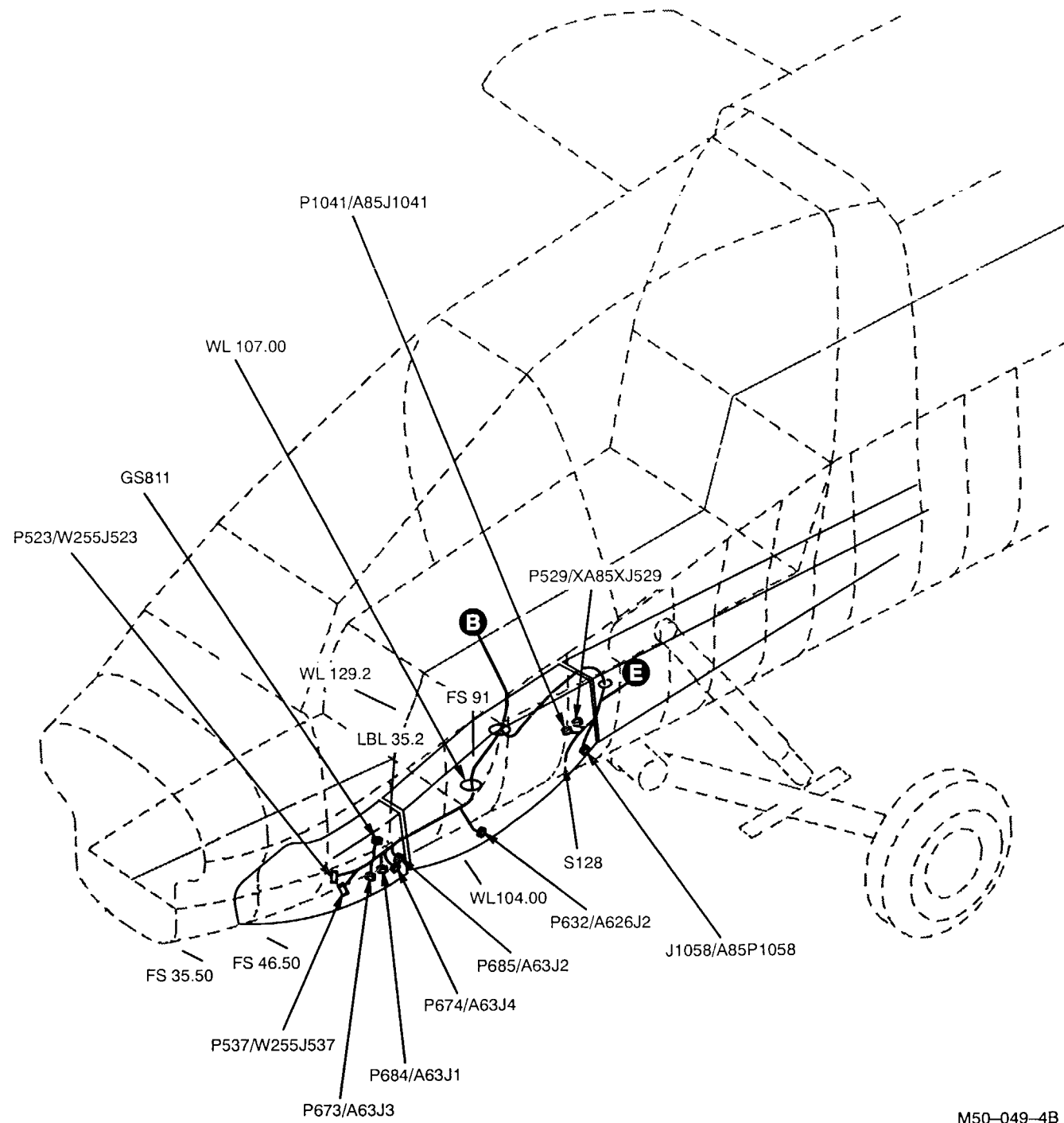


M50-049-2B



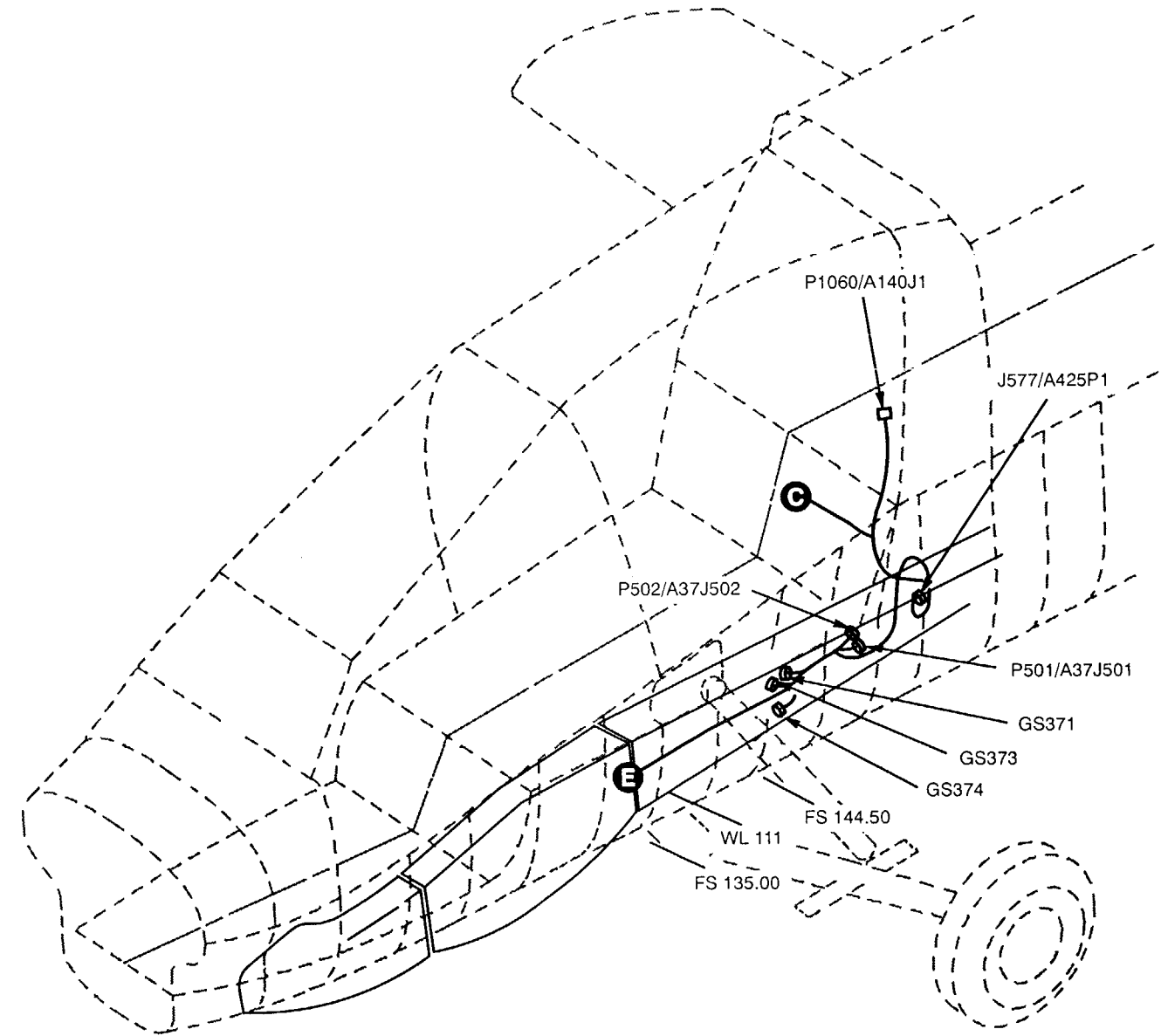
M50-049-3B

27-7. WIRE HARNESS W117 (cont)



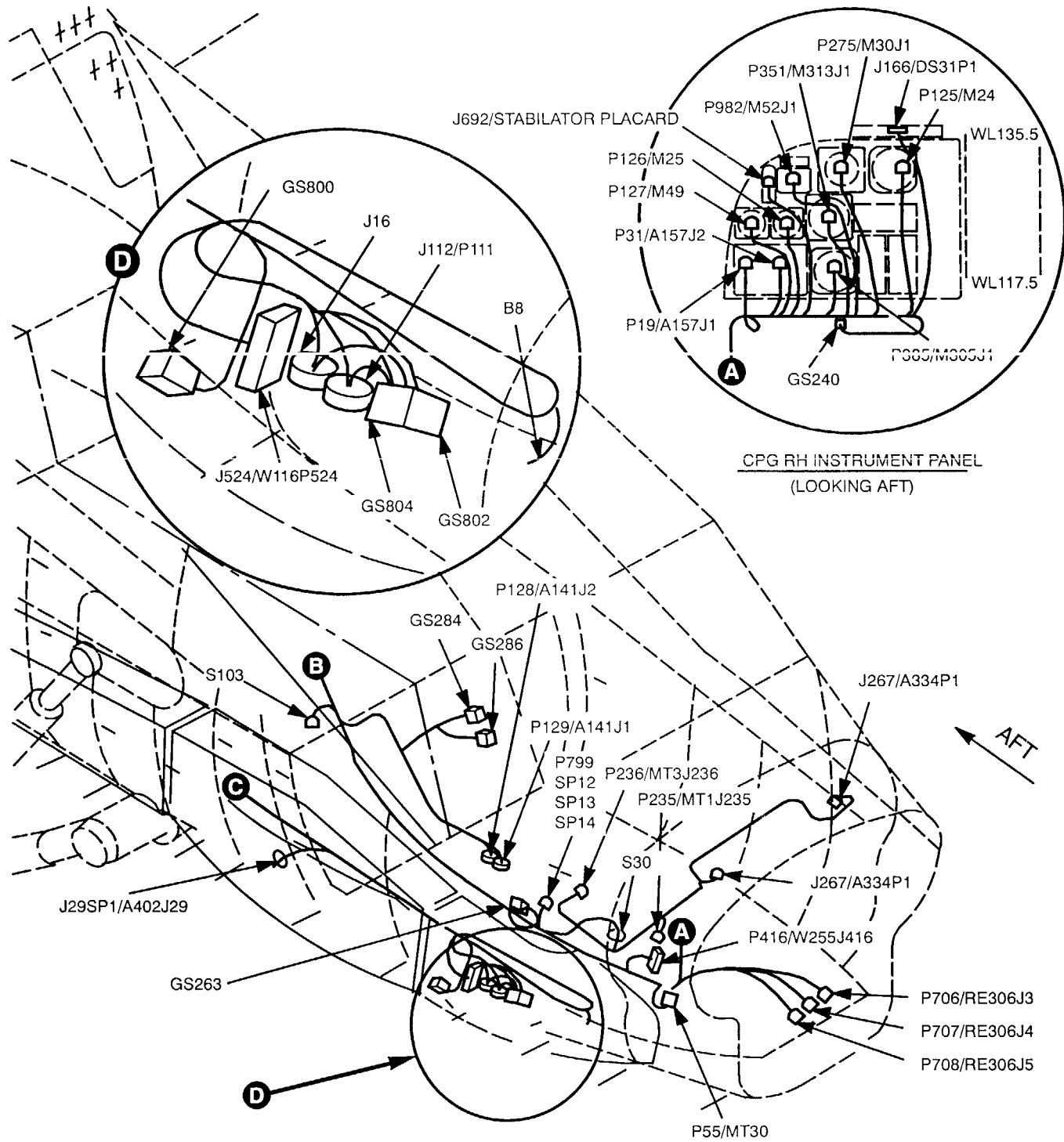
M50-049-4B

27-7. WIRE HARNESS W117 (cont)



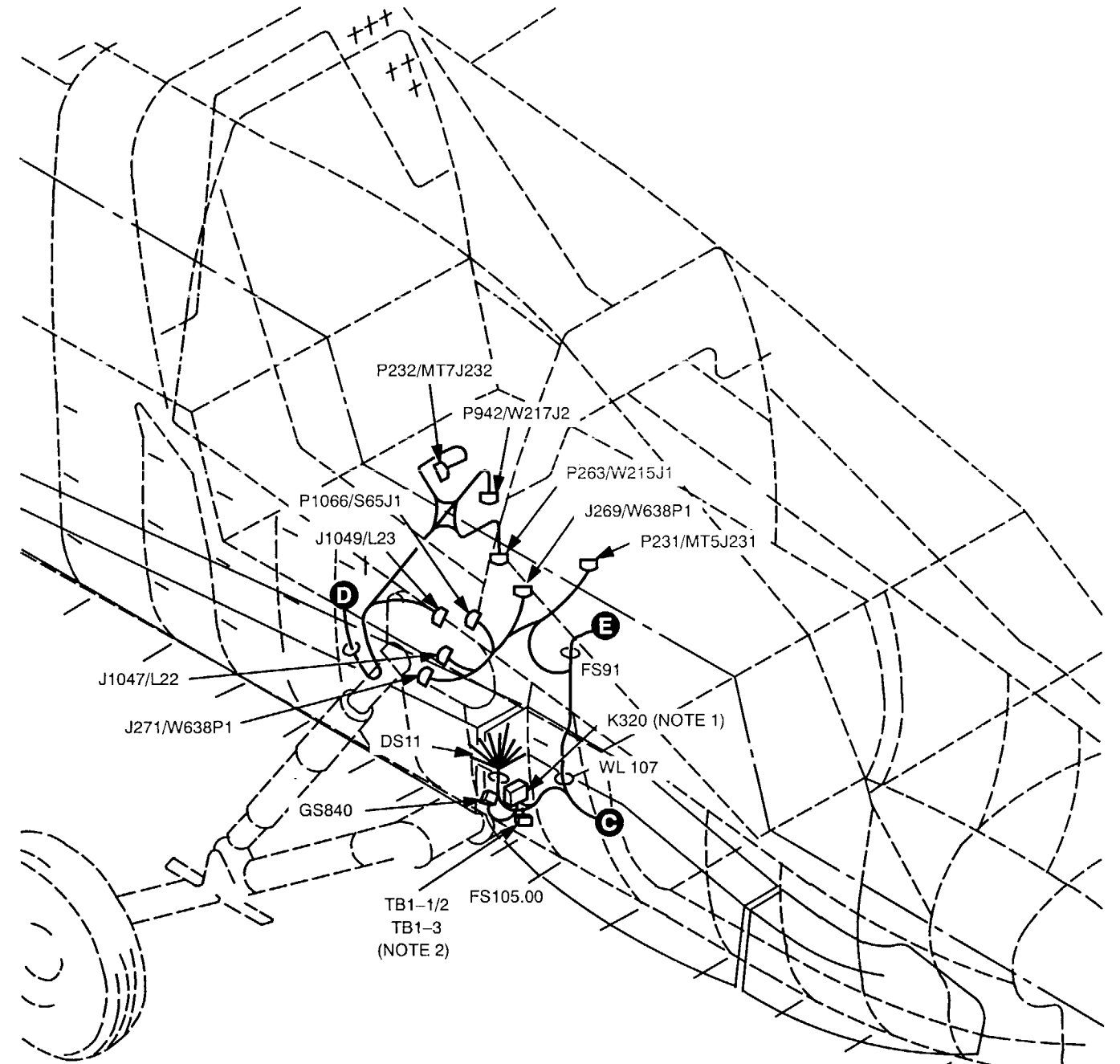
M50-049-5B

27-8. WIRE HARNESS W118



M50-237-1A

27-8. WIRE HARNESS W118 (cont)

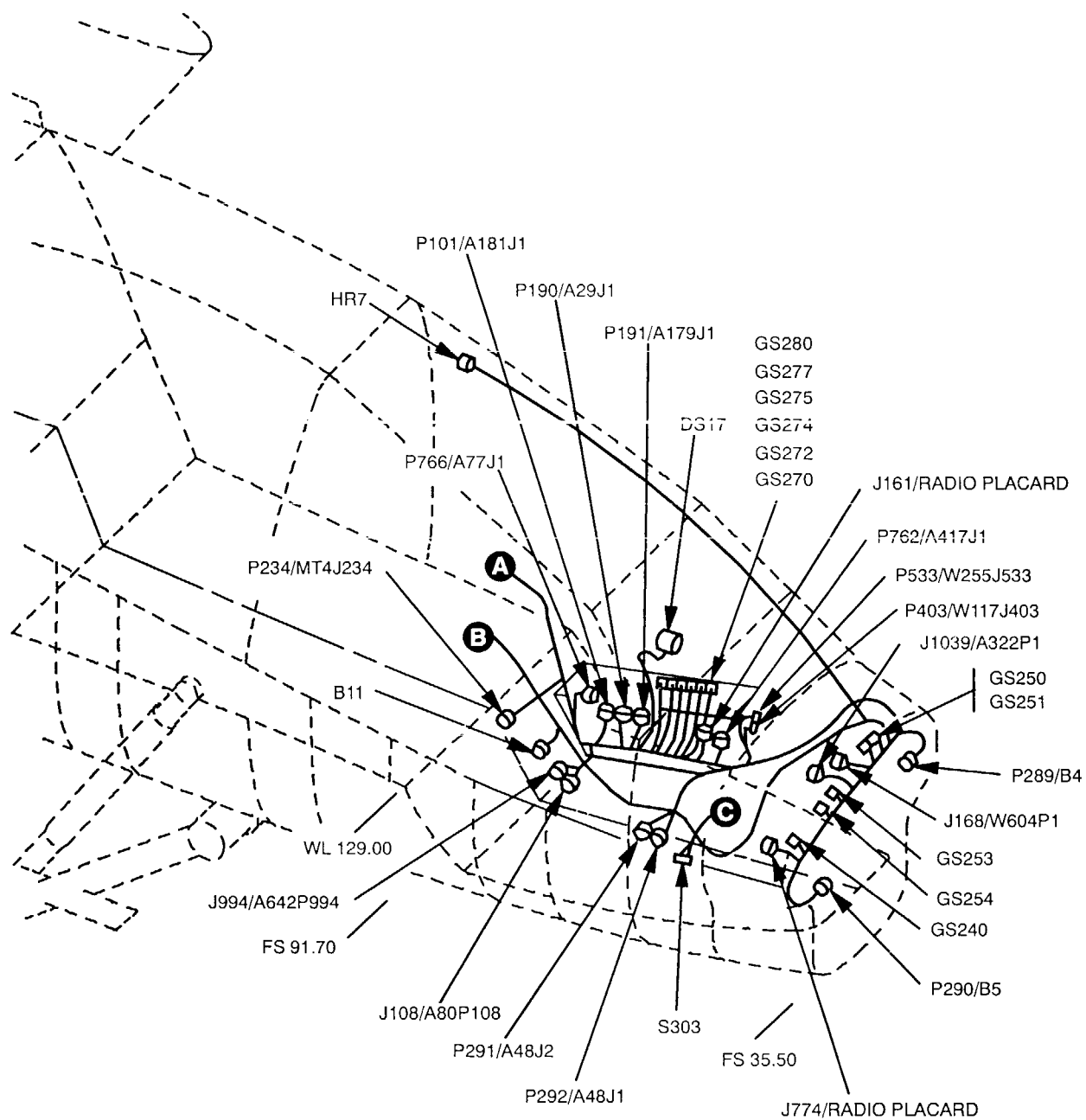


NOTES:

1. K320 RELAY IS USED ON AIRCRAFT SERIAL NO. 82-23355 THRU 84-24311.
2. K1, ON TERMINAL BOARDS TB1-1/2 AND TB1-3, ARE PART OF THE A701 ASSEMBLY WHICH REPLACES RELAY K320 ON AIRCRAFT SERIAL NO. 85-25351 AND SUBSEQUENT.

M50-237-2A

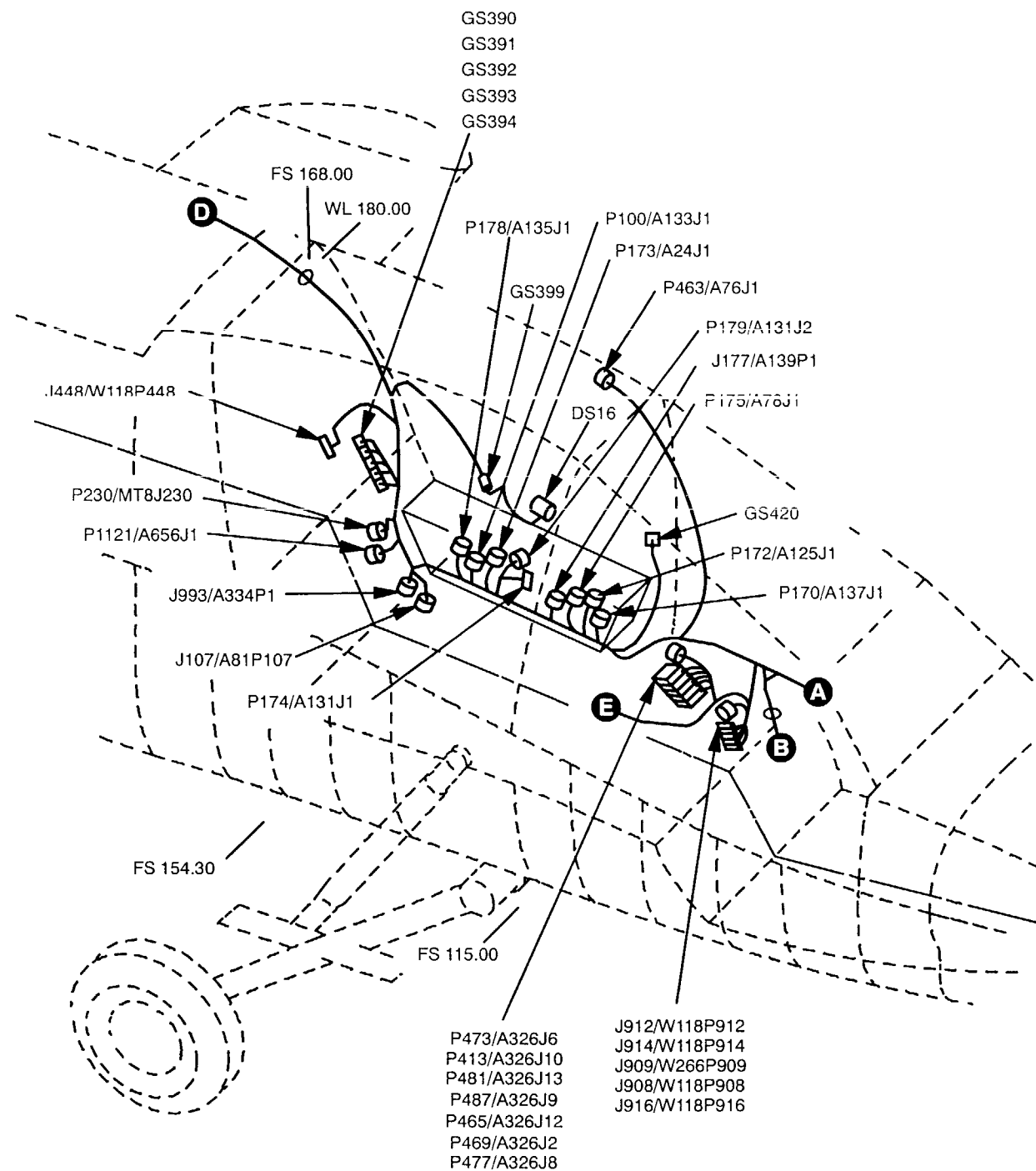
27-9. WIRE HARNESS W119



M50-137-1A

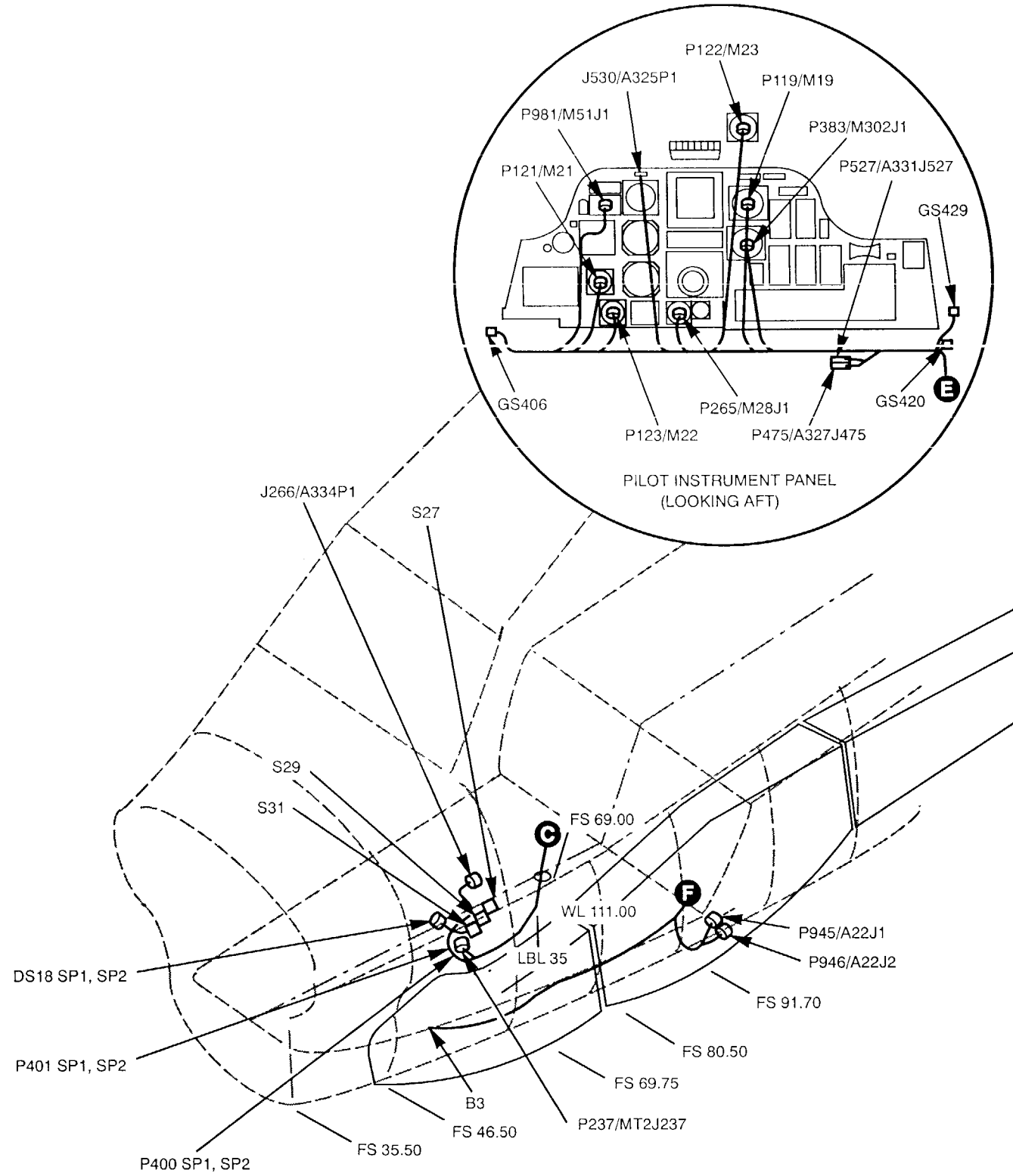
27-9. WIRE HARNESS W119 (cont)

27-9



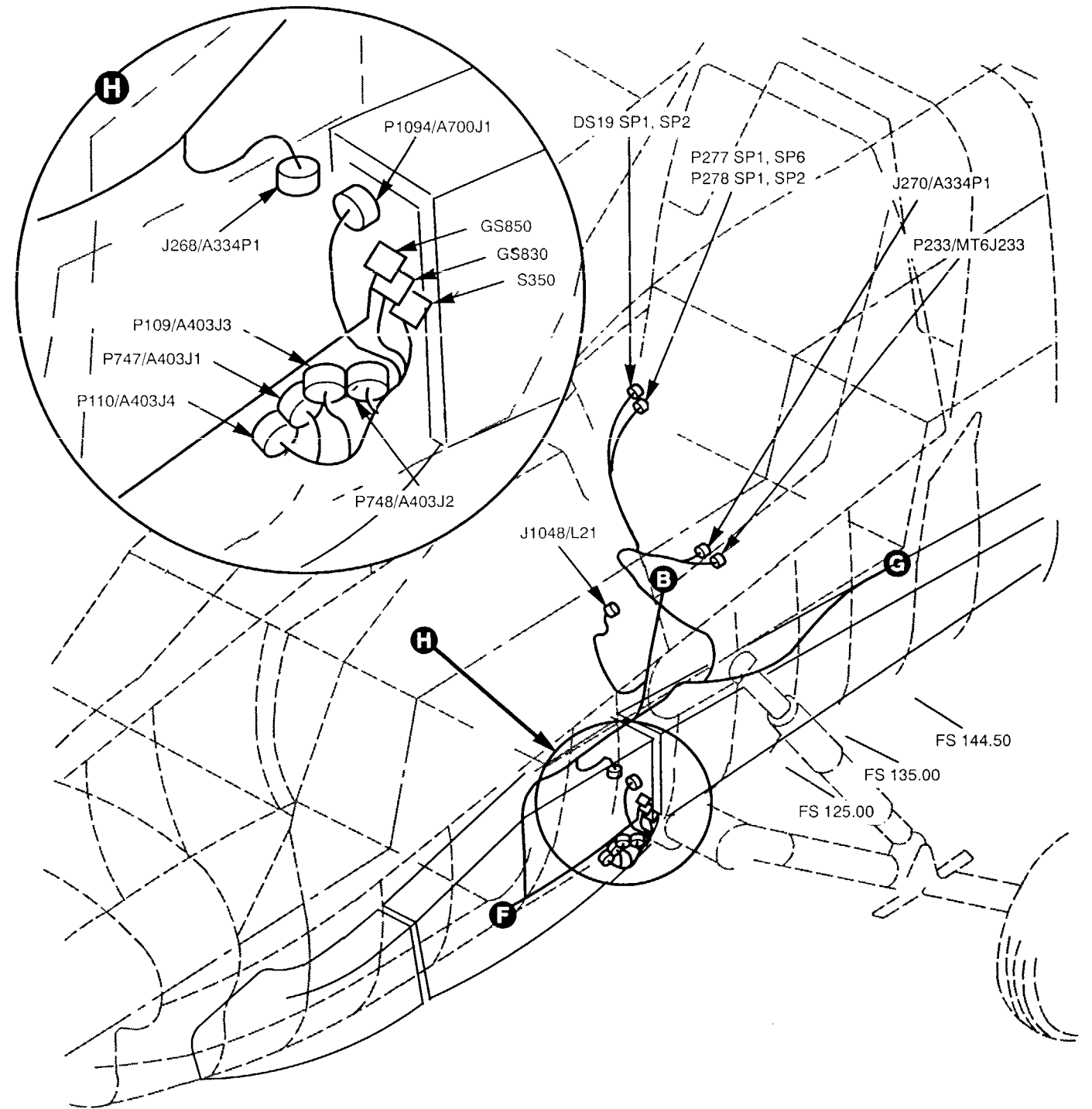
M50-137-2A

27-9. WIRE HARNESS W119 (cont)



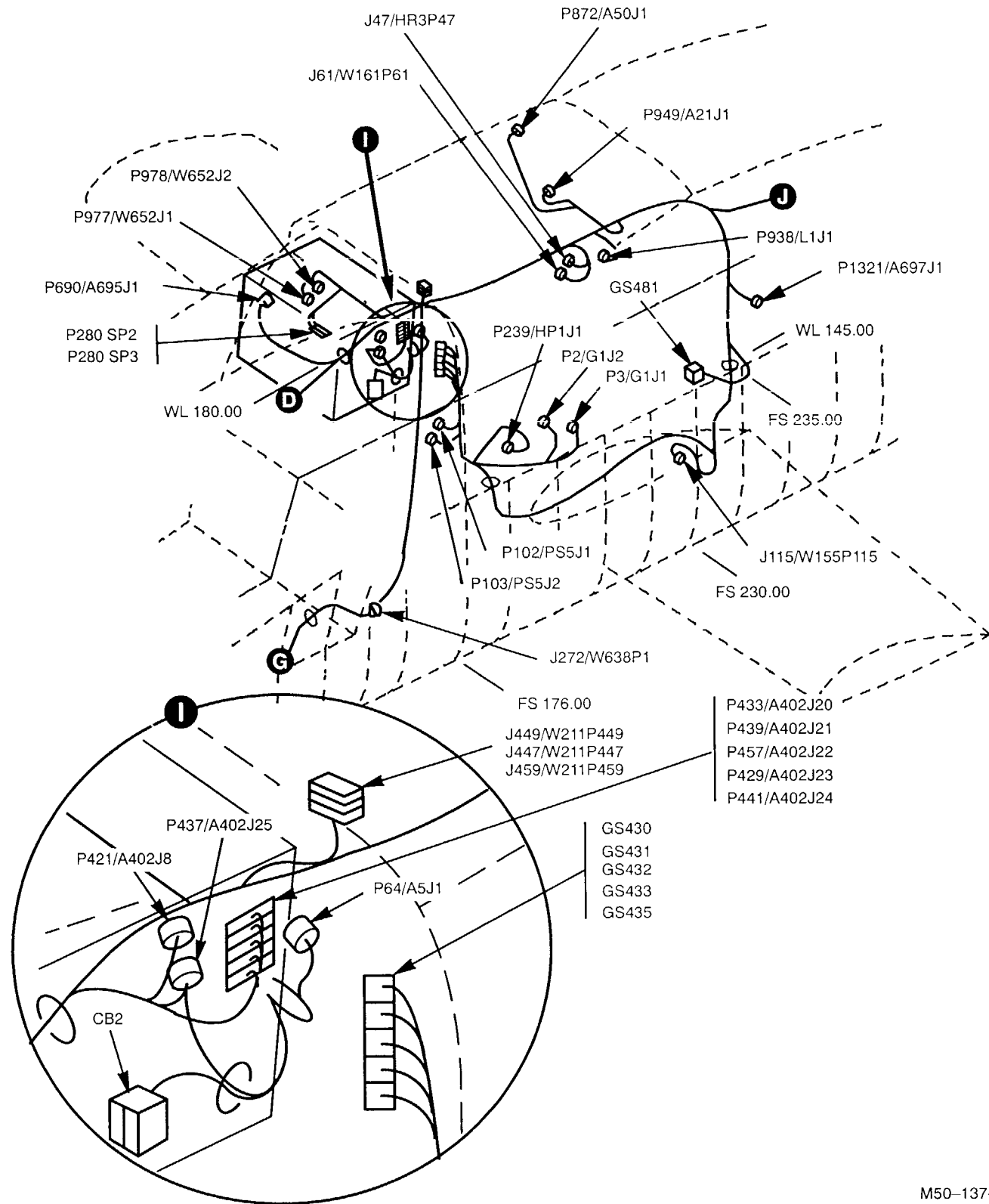
M50-137-3B

27-9. WIRE HARNESS W119 (cont)



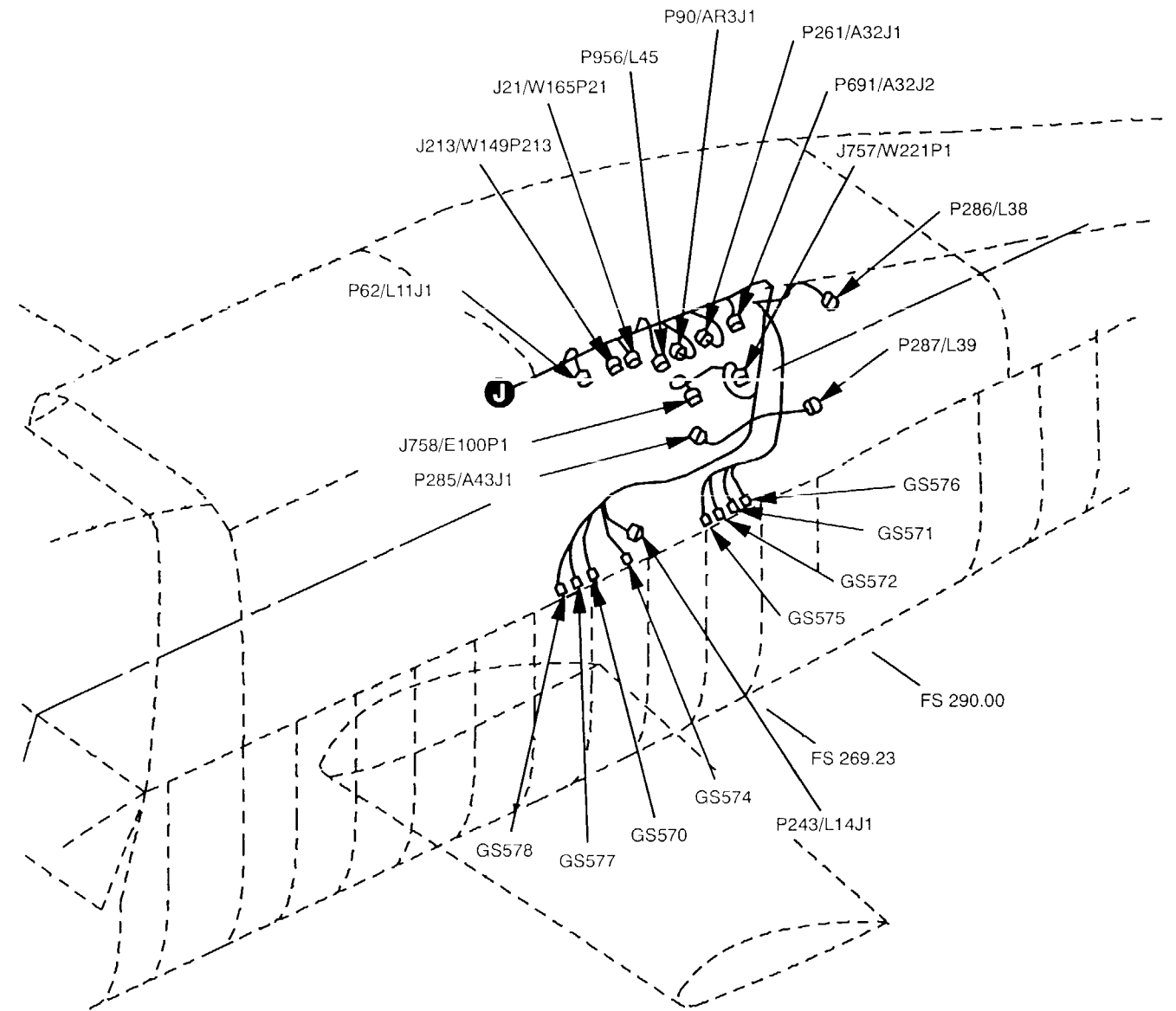
M50-137-4B

27-9. WIRE HARNESS W119 (cont)



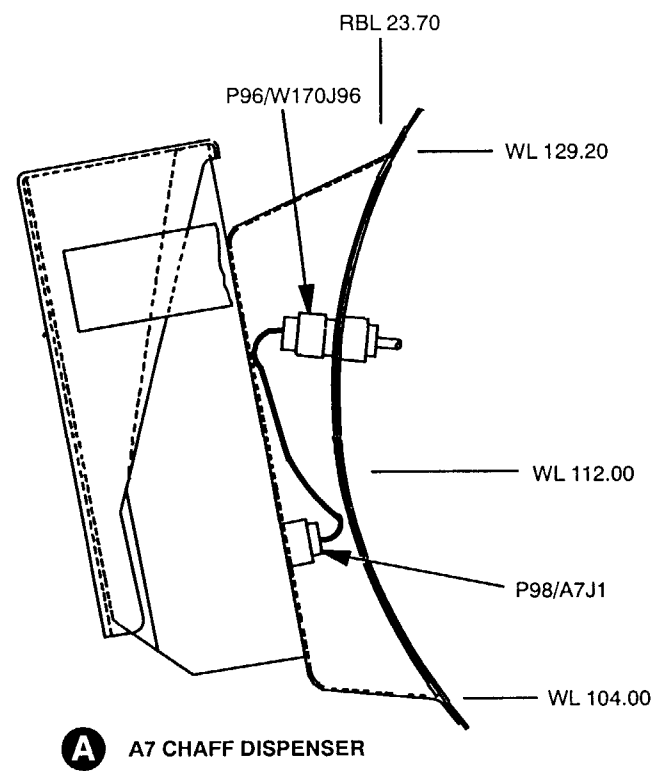
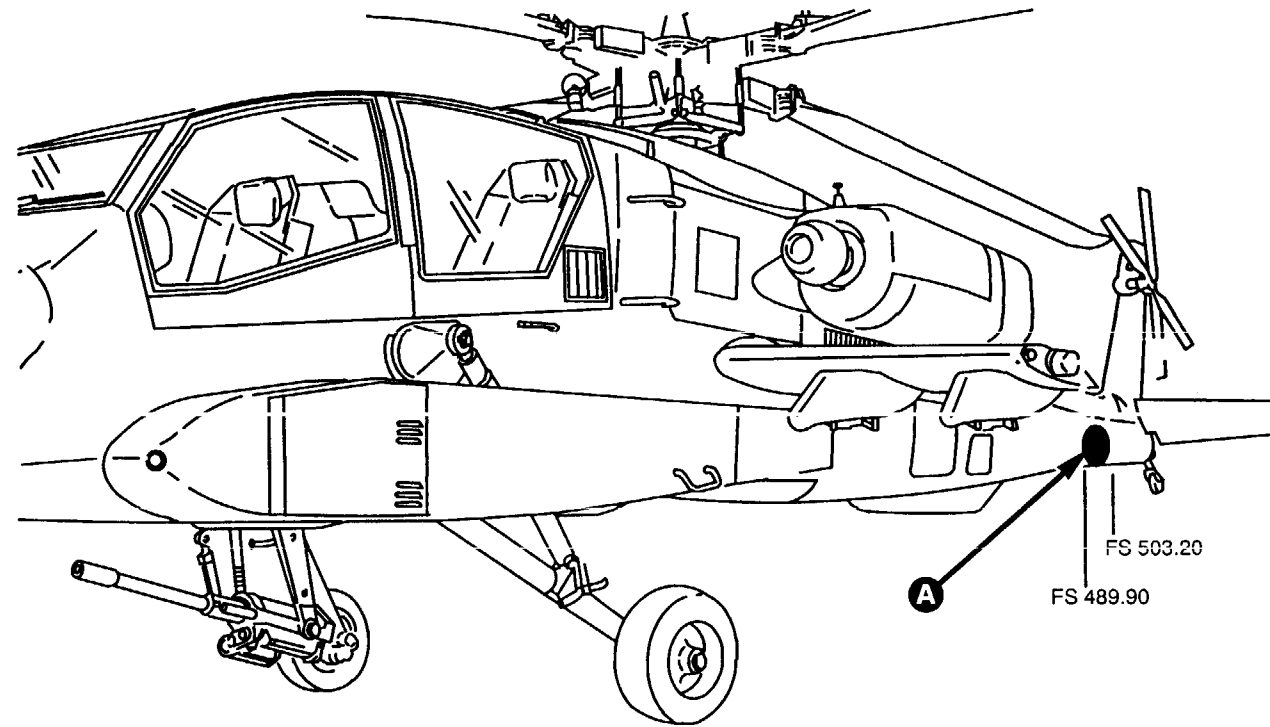
M50-137-5A

27-9. WIRE HARNESS W119 (cont)



M50-137-6A

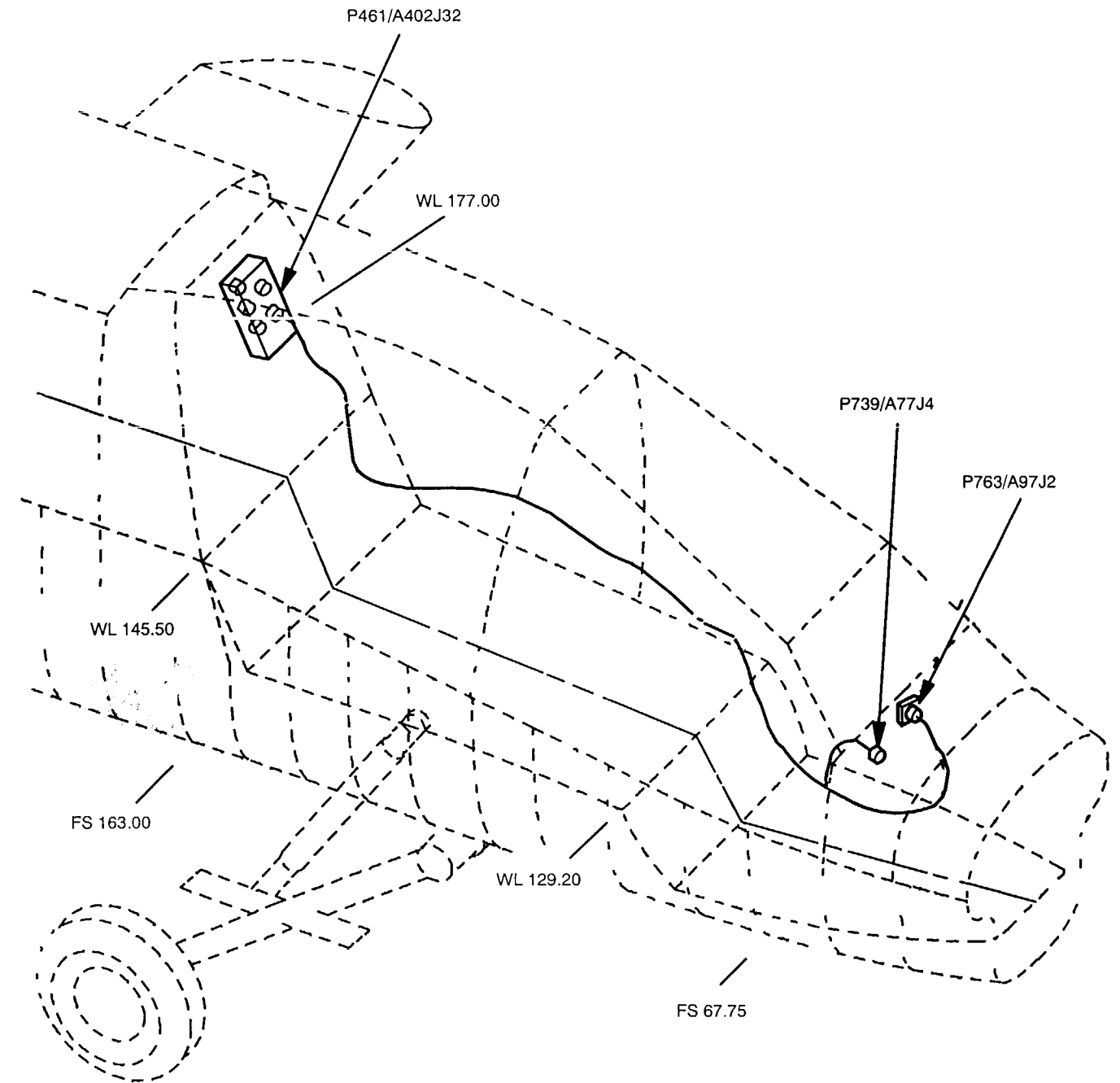
27-10. WIRE HARNESS W143



A A7 CHAFF DISPENSER

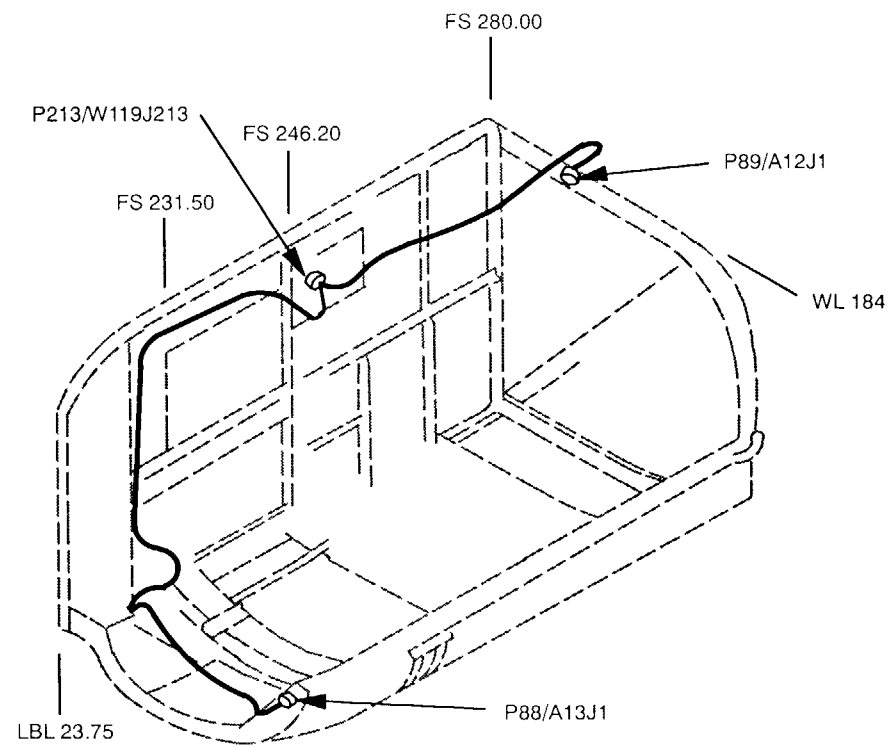
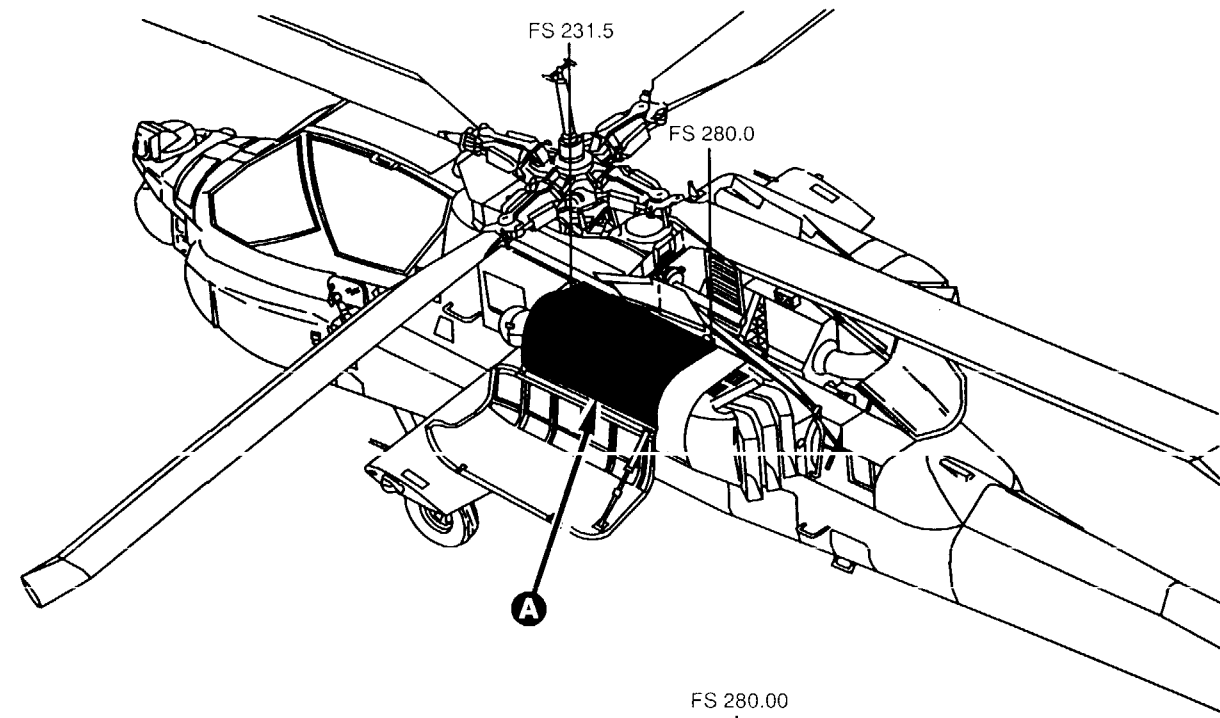
M50-138

27-11. WIRE HARNESS W145



M50-139A

27-12. WIRE HARNESS W149

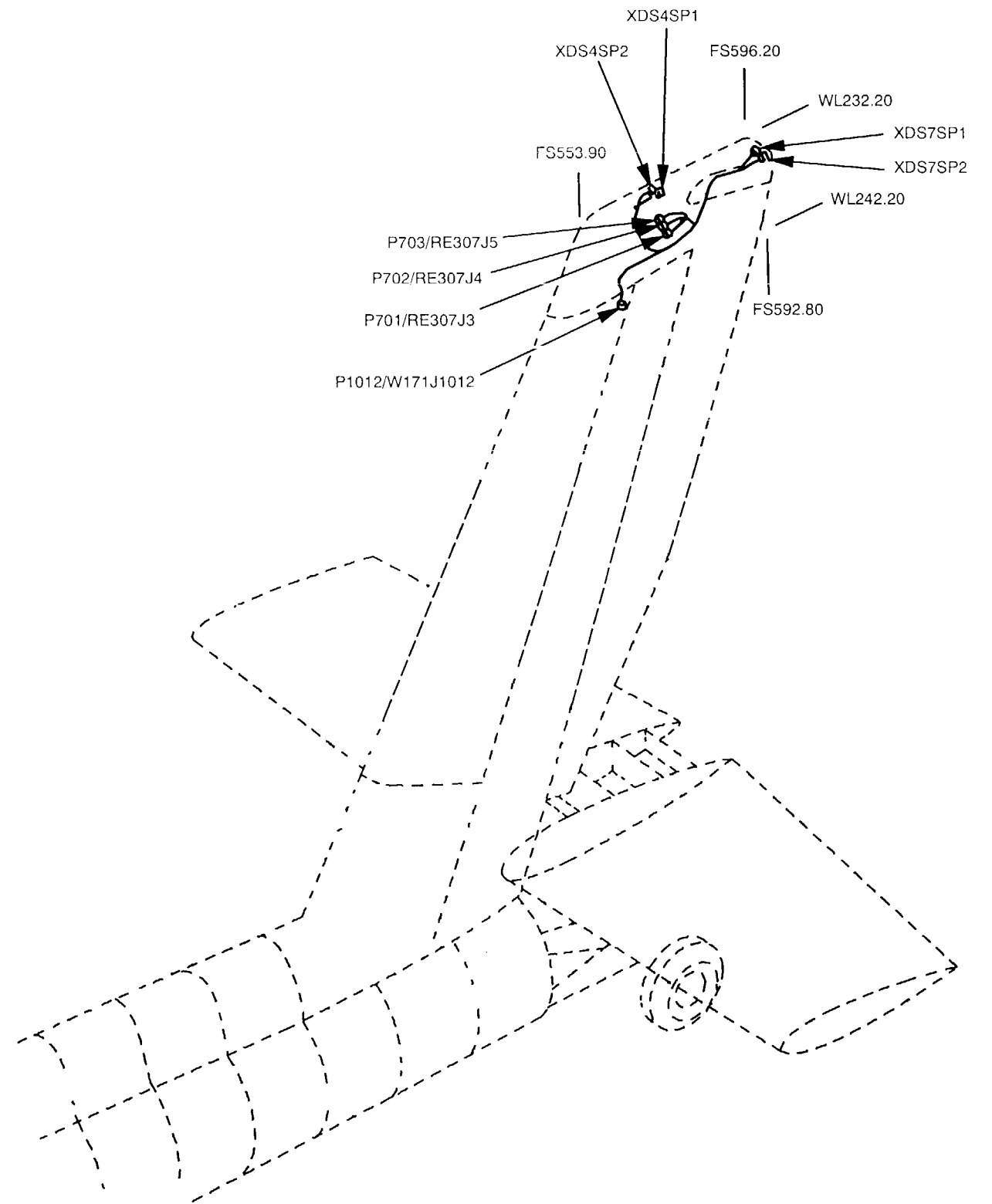


A ENGINE 1 COMPARTMENT

M50-140B

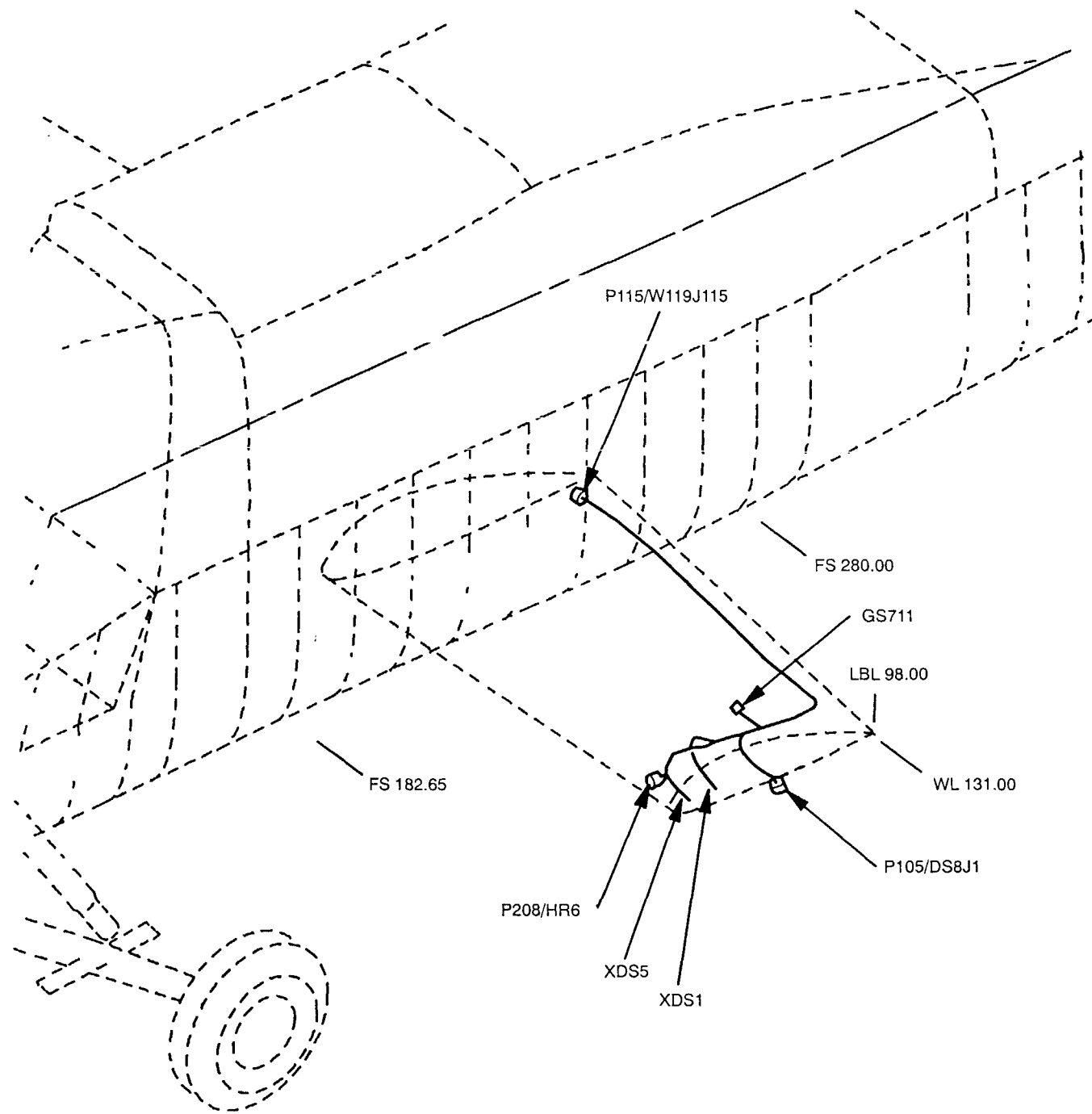
27-13. WIRE HARNESS W154

27-12/27-13



M50-141

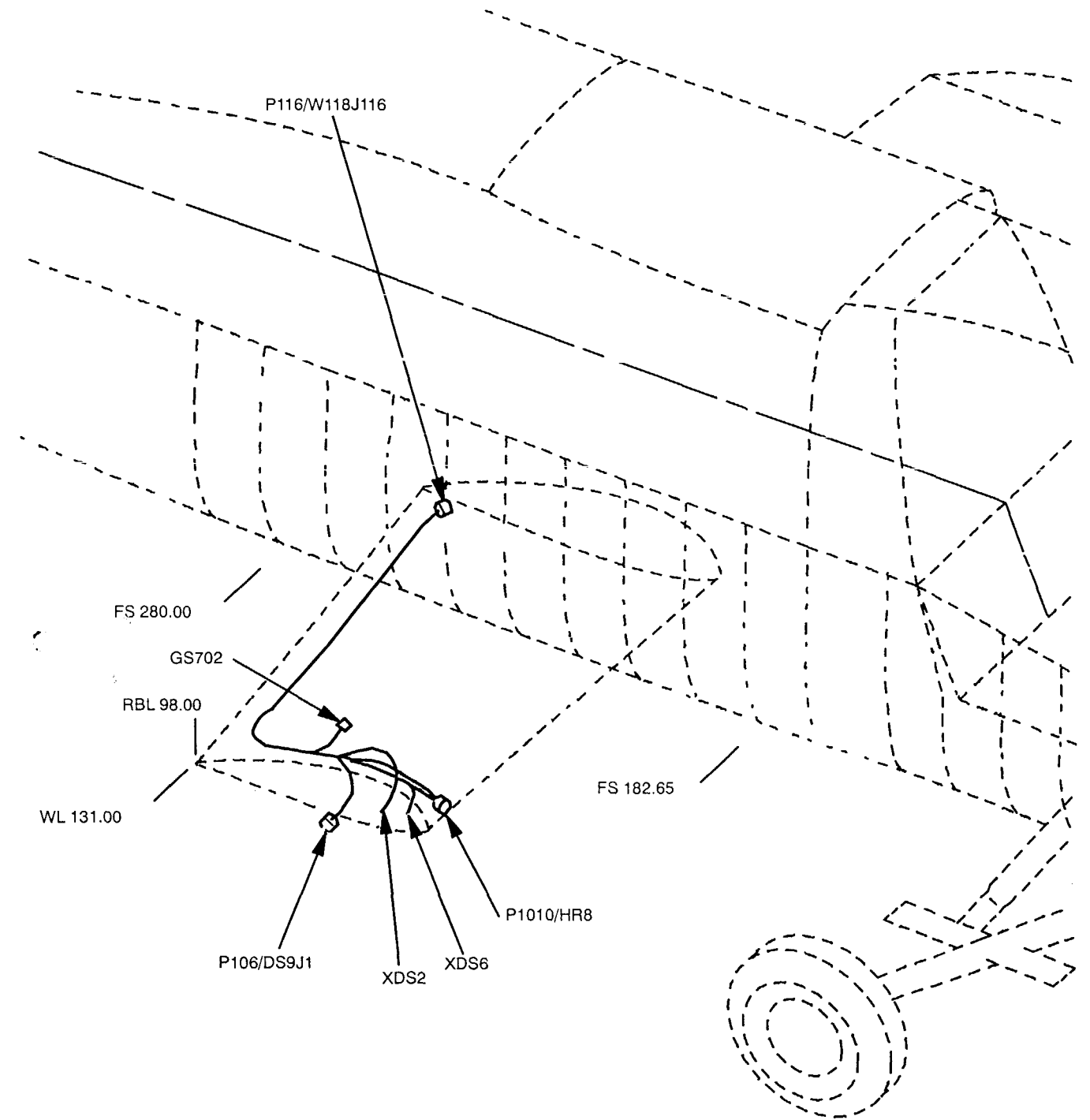
27-14. WIRE HARNESS W155



M50-142

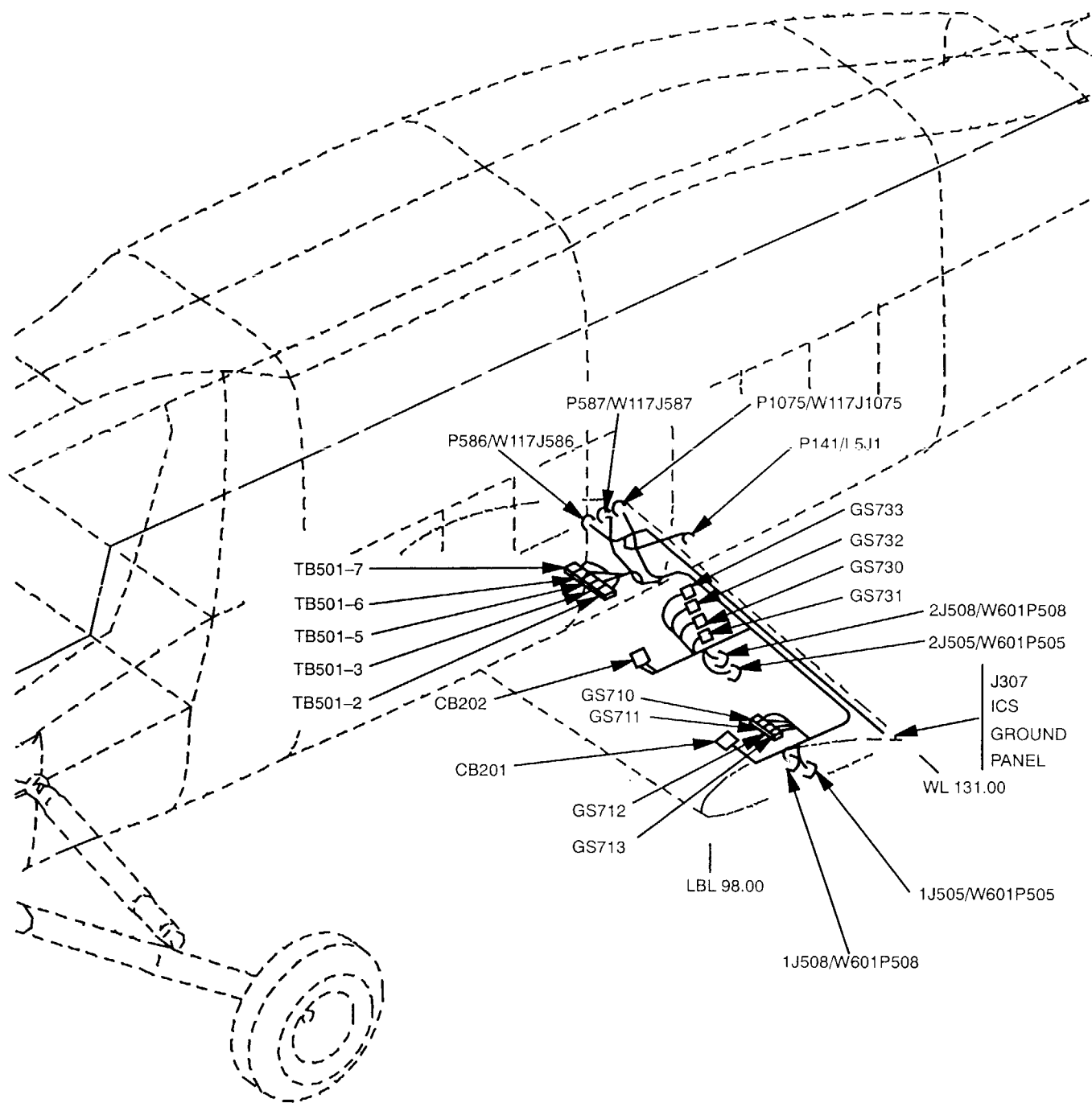
27-15. WIRE HARNESS W156

27-14/27-15



M50-143

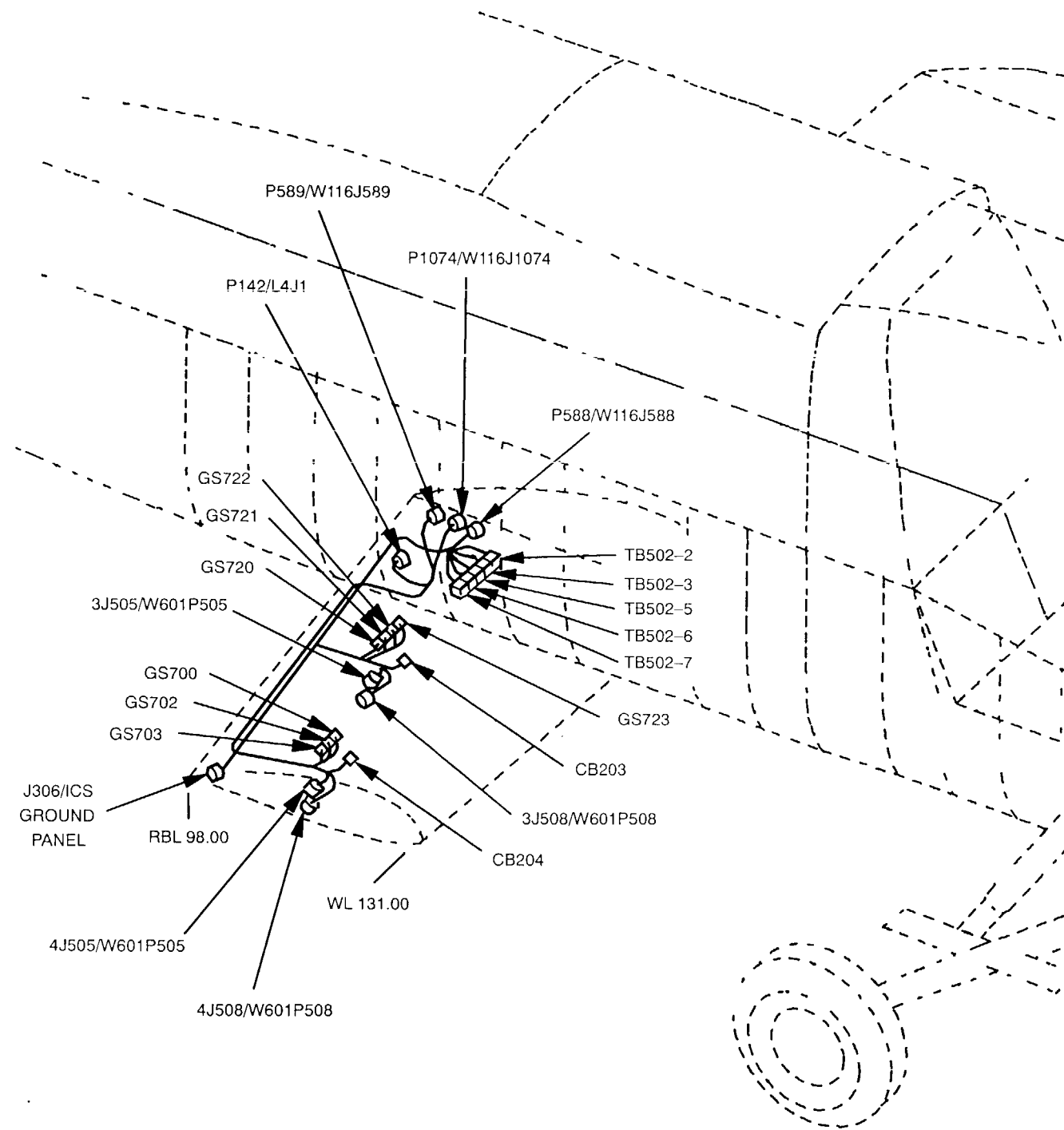
27-16. WIRE HARNESS W157



M50-005A

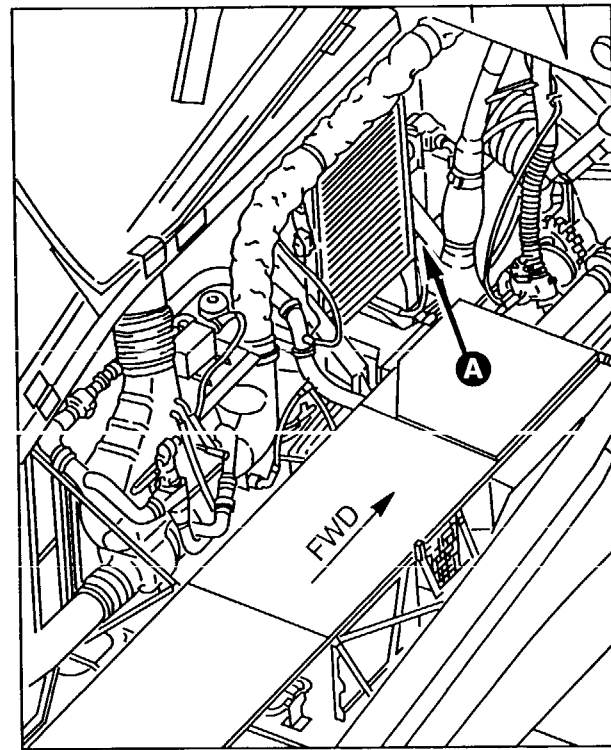
27-17. WIRE HARNESS W158

27-16/27-17

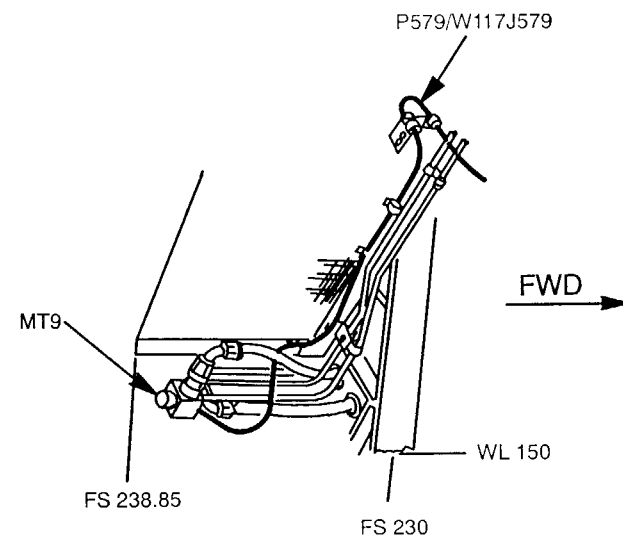


M50-144A

27-18. WIRE HARNESS W159

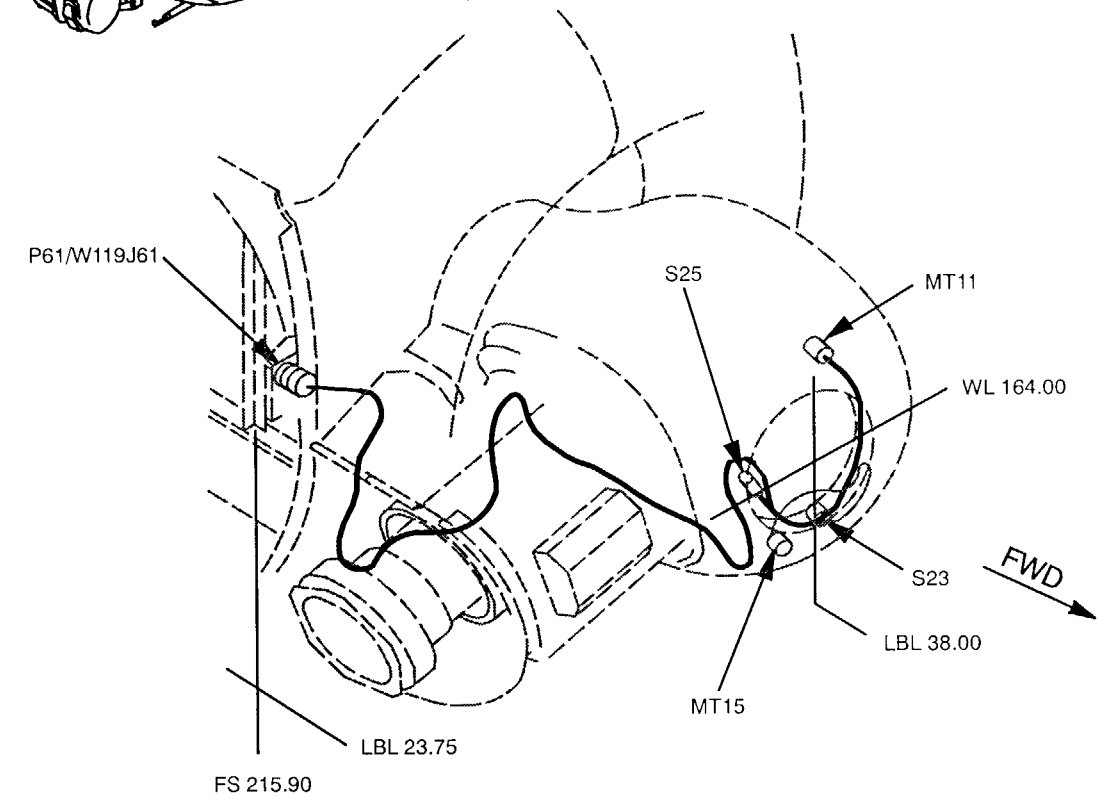
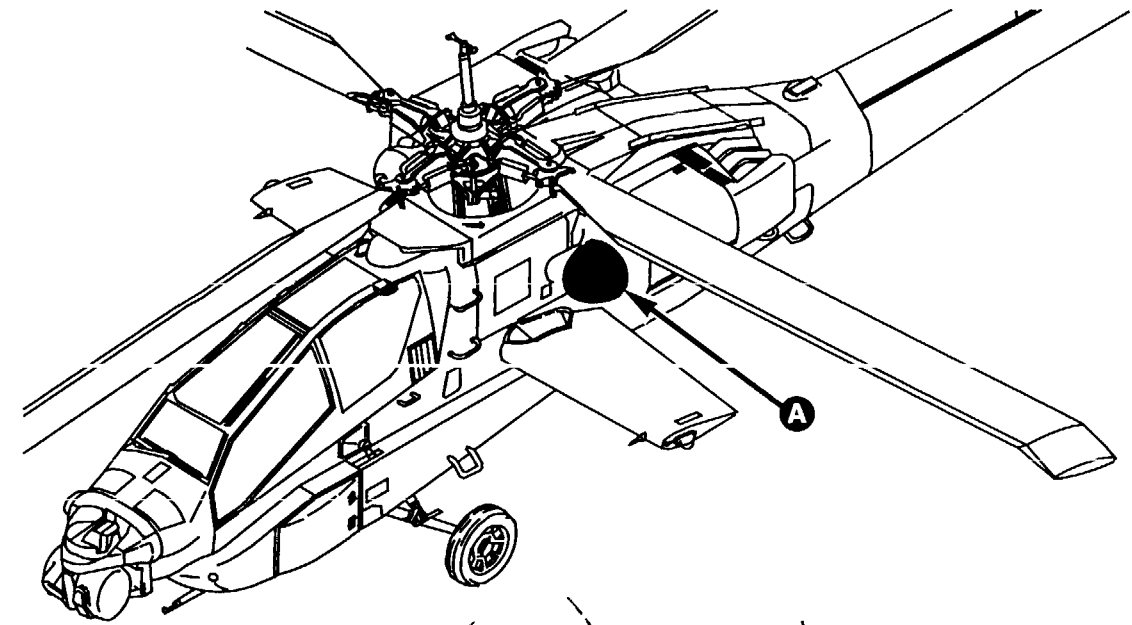


AFT CATWALK LEFT SIDE



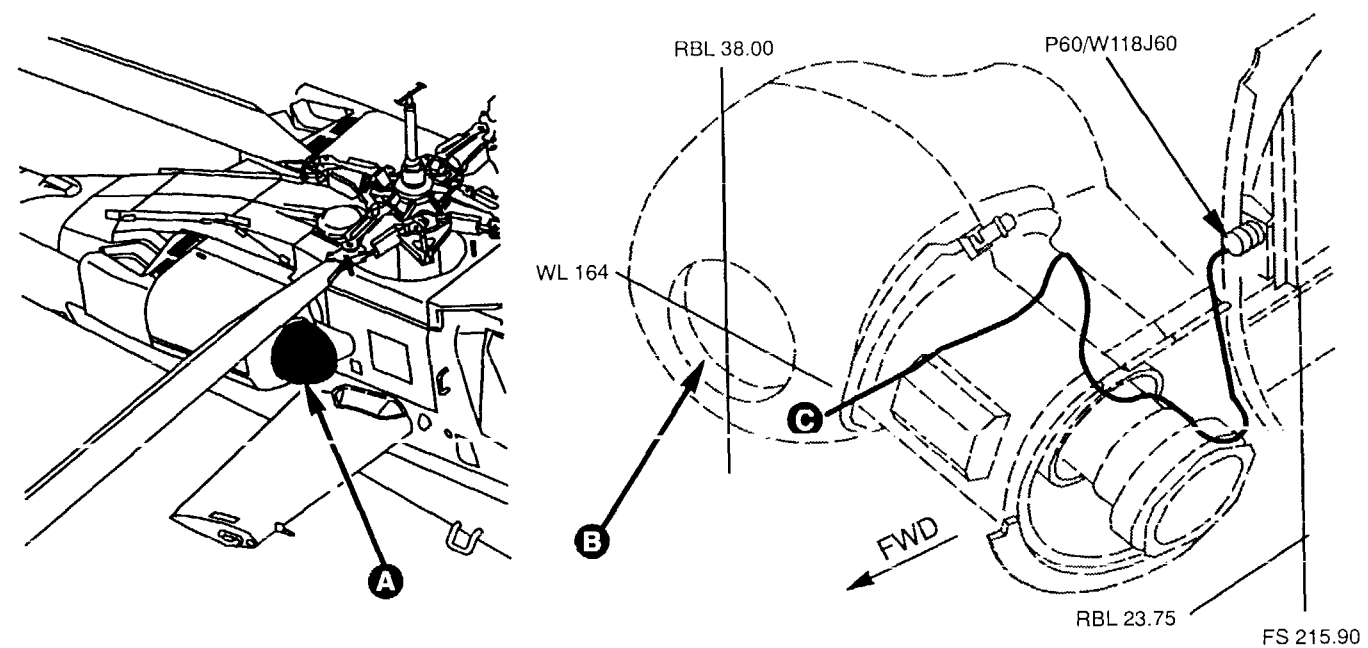
A LEFT HAND PRESSURE TRANSDUCER

27-19. WIRE HARNESS W161

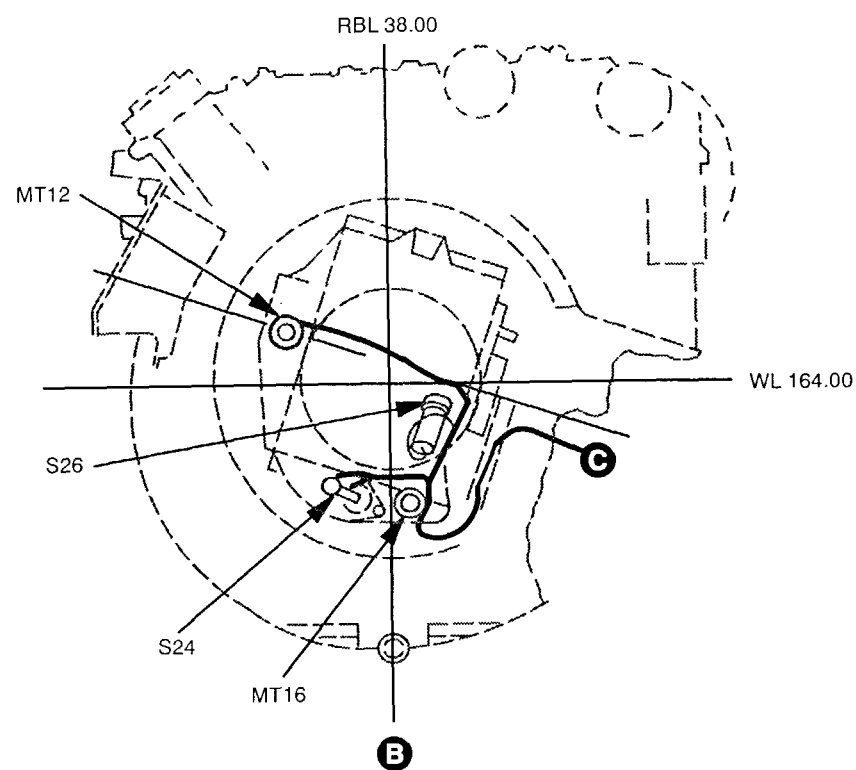


A ENGINE 1 NOSE GEARBOX

27-20. WIRE HARNESS W162



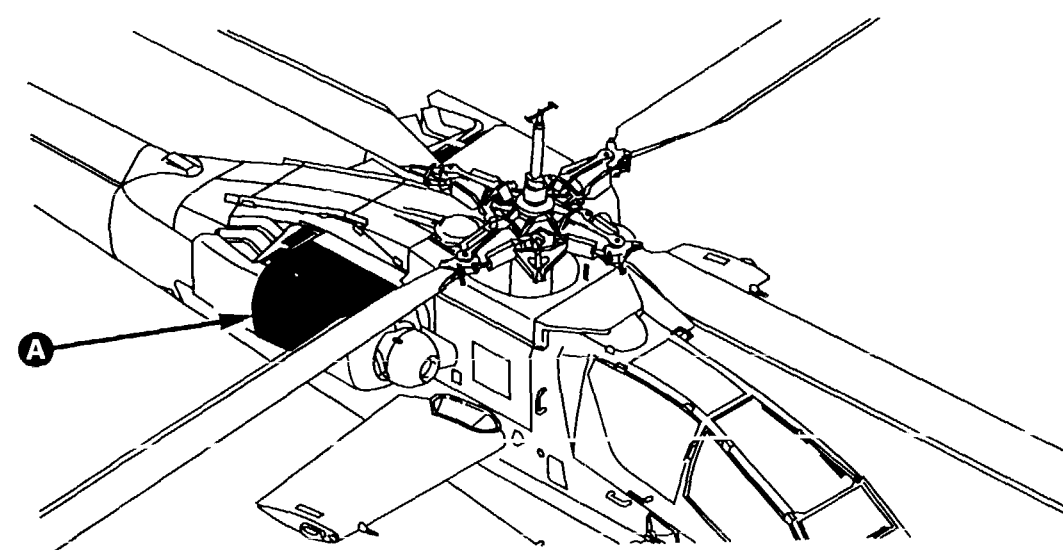
A ENGINE 2 NOSE GEARBOX



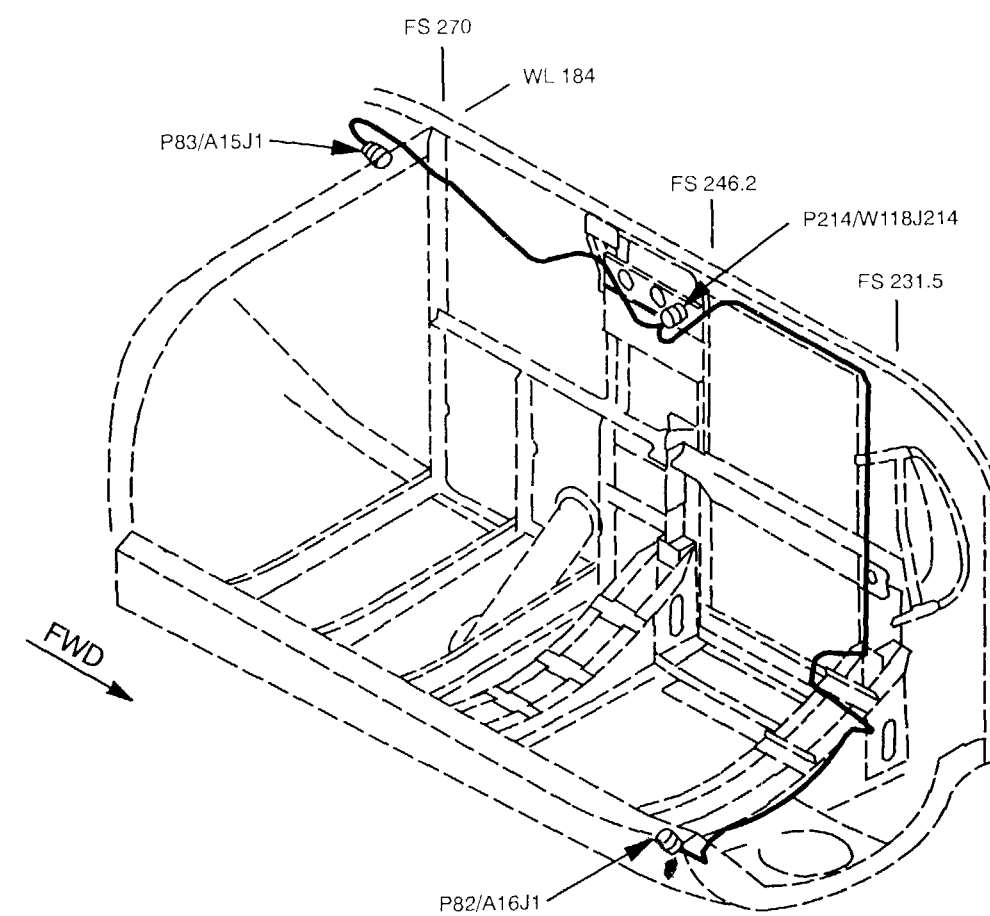
M50-147B

27-21. WIRE HARNESS W164

27-20/27-21

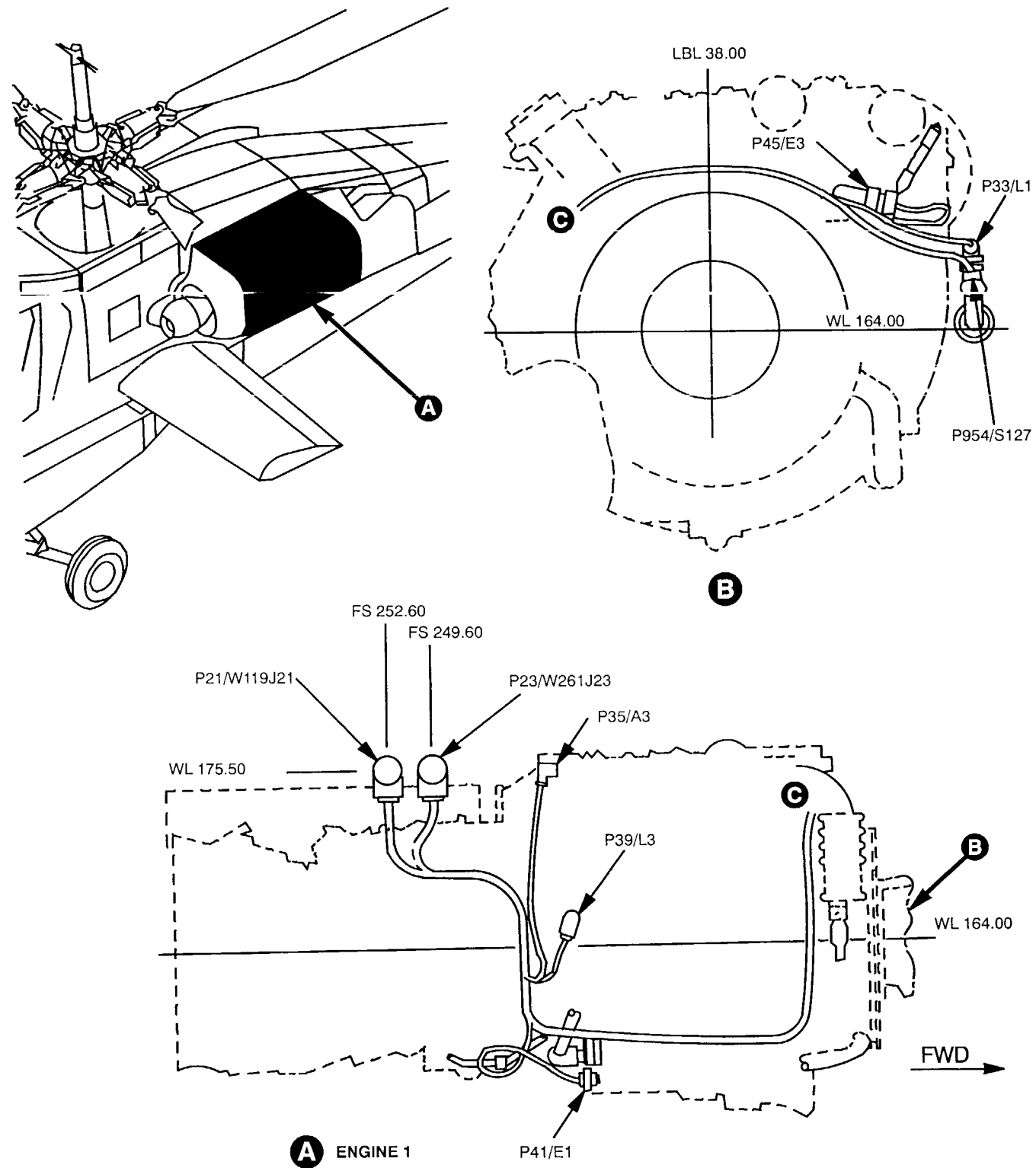


A ENGINE 2 COMPARTMENT



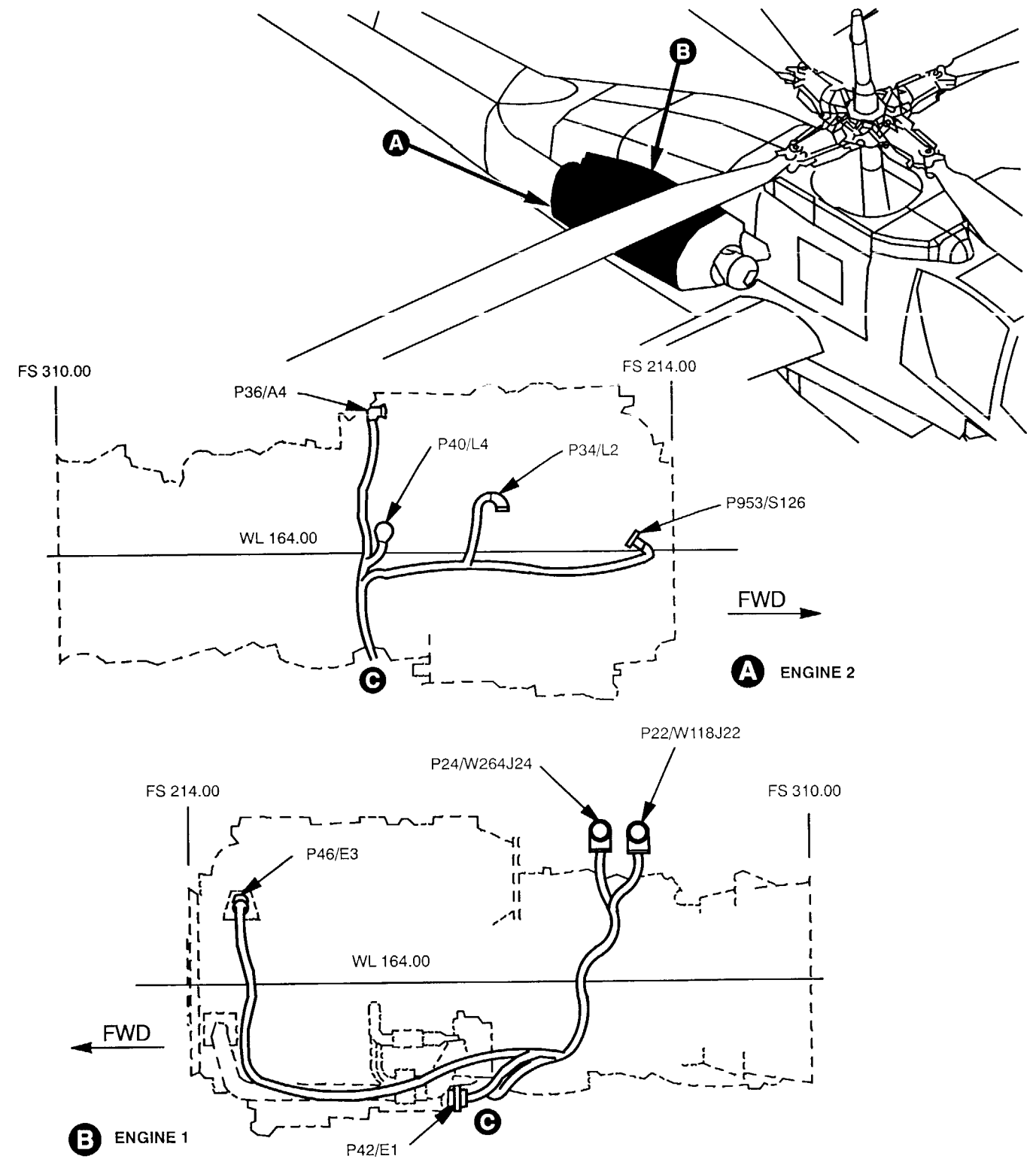
M50-148B

27-22. WIRE HARNESS W165



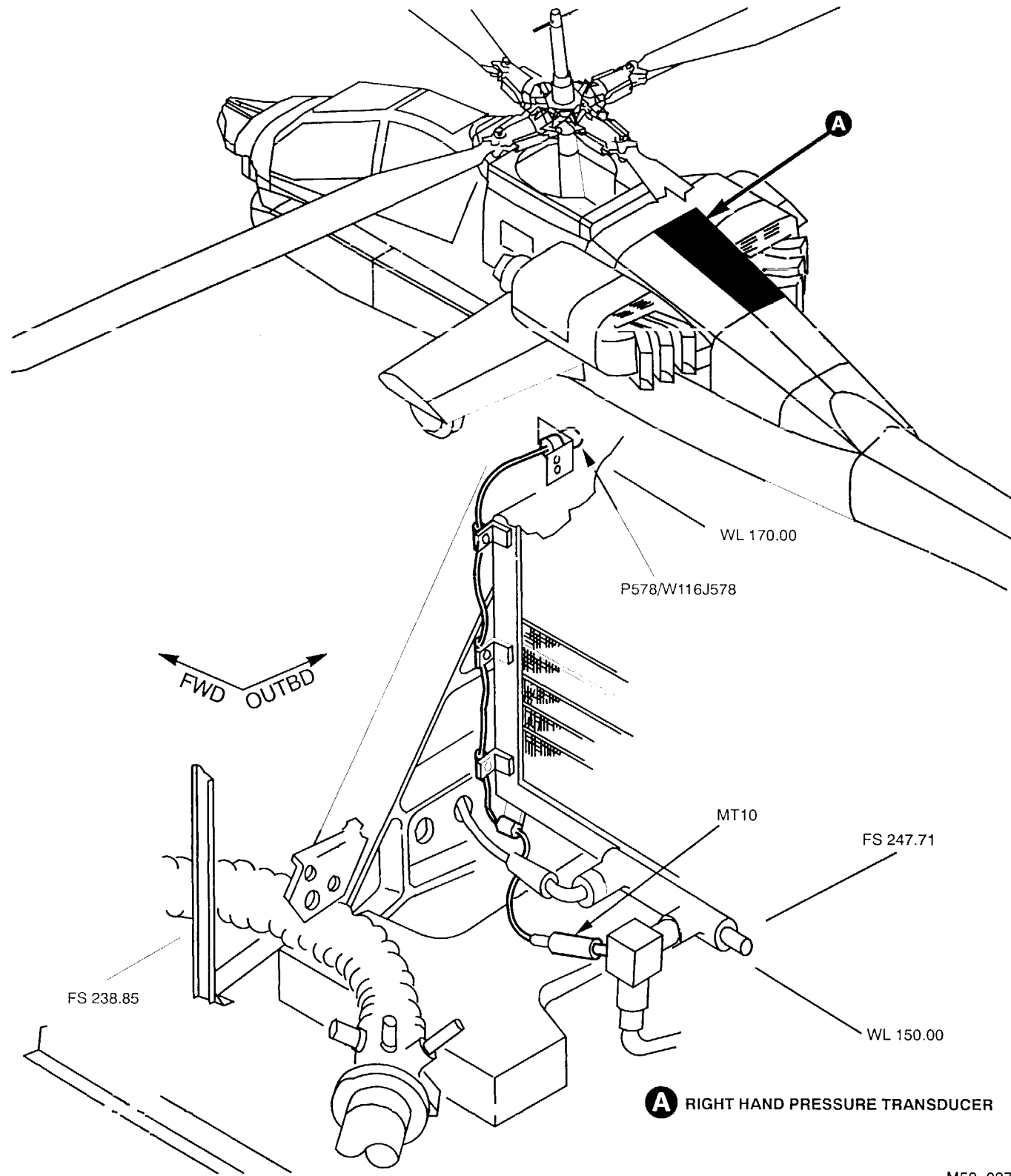
M50-024A

27-23. WIRE HARNESS W166



M50-026A

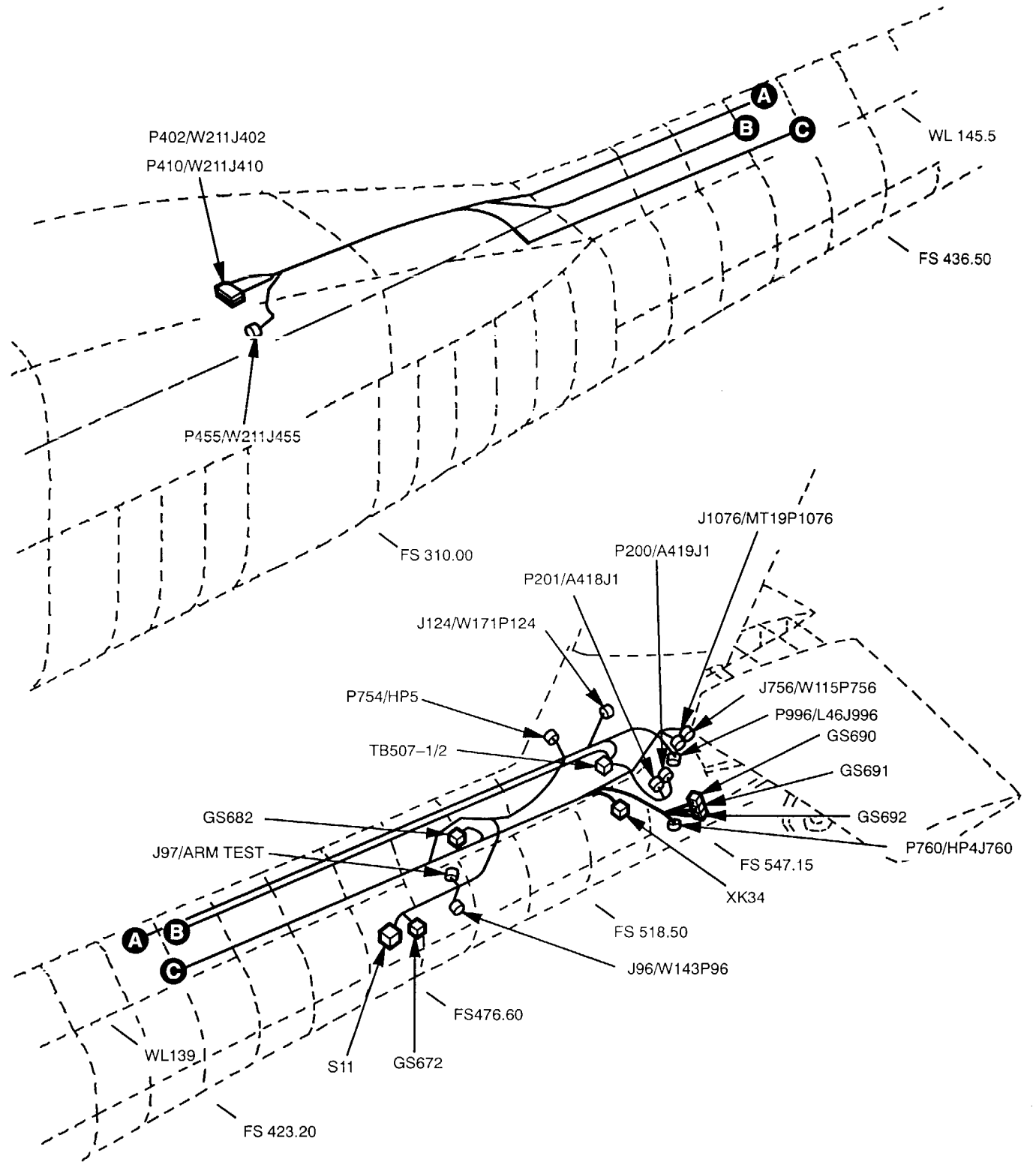
27-24. WIRE HARNESS W167



M50-027

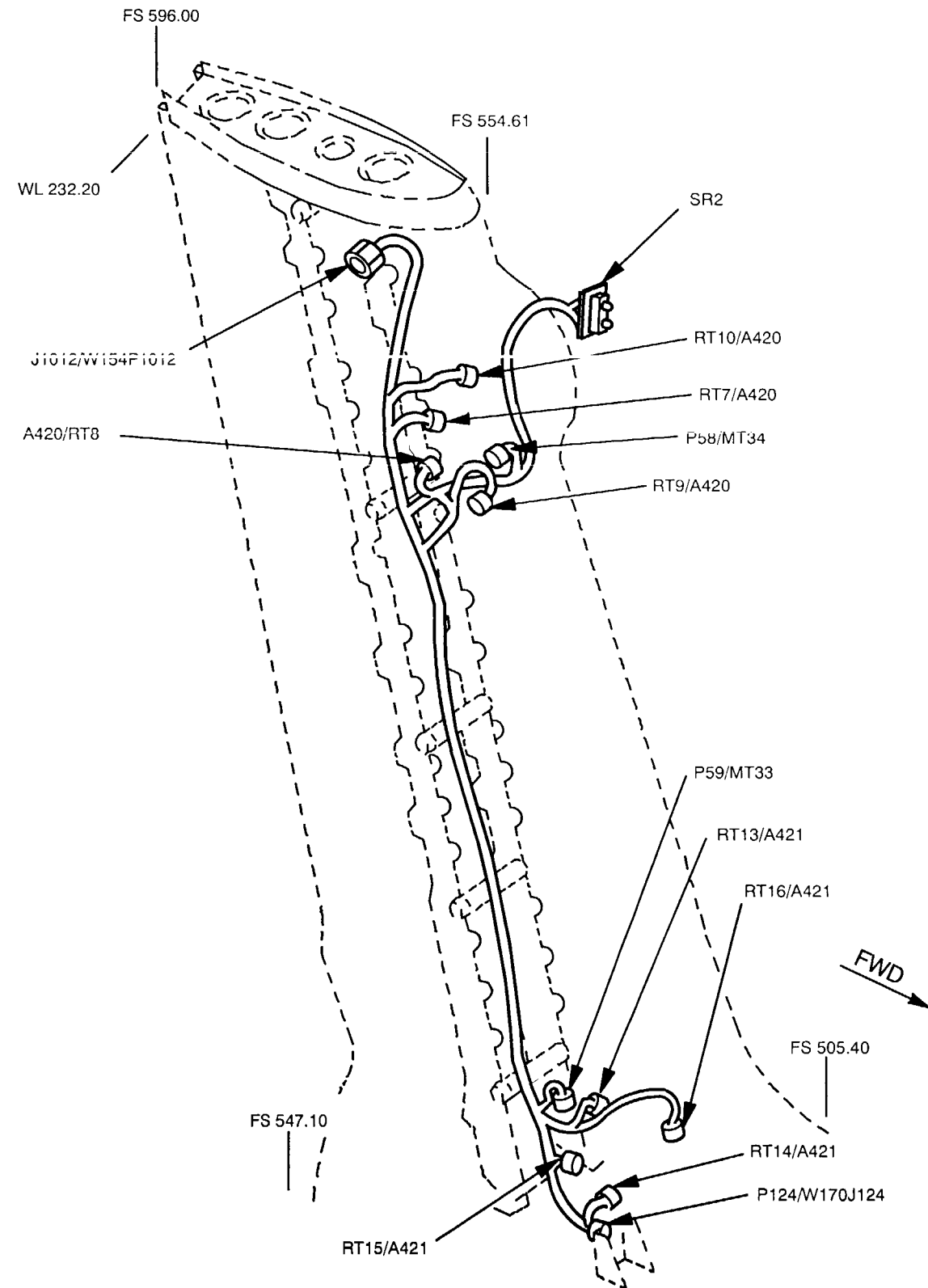
27-25. WIRE HARNESS W170

27-24/27-25



M50-003A

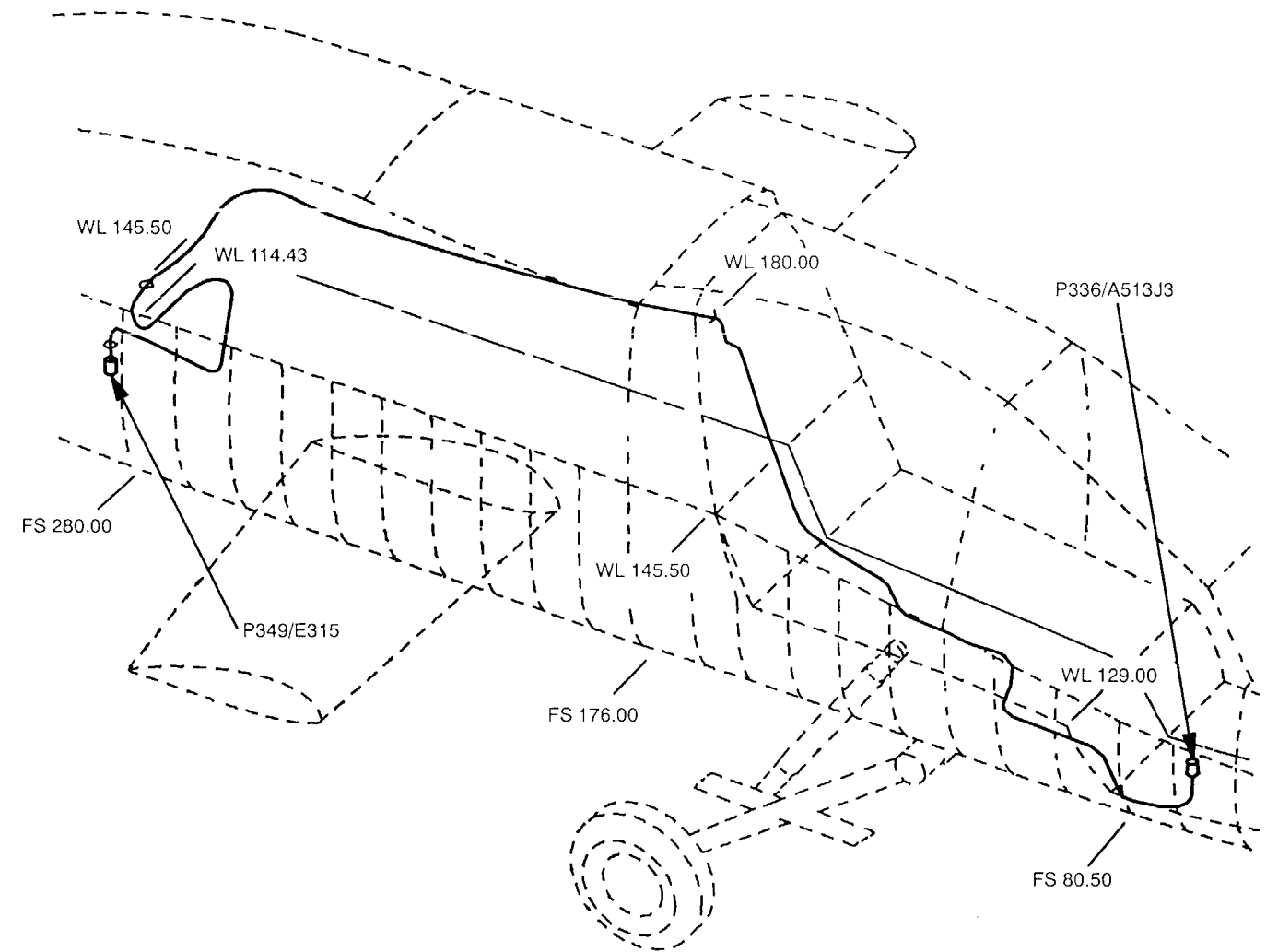
27-26. WIRE HARNESS W171



M50-031A

27-27. WIRE HARNESS W172

27-26/27-27

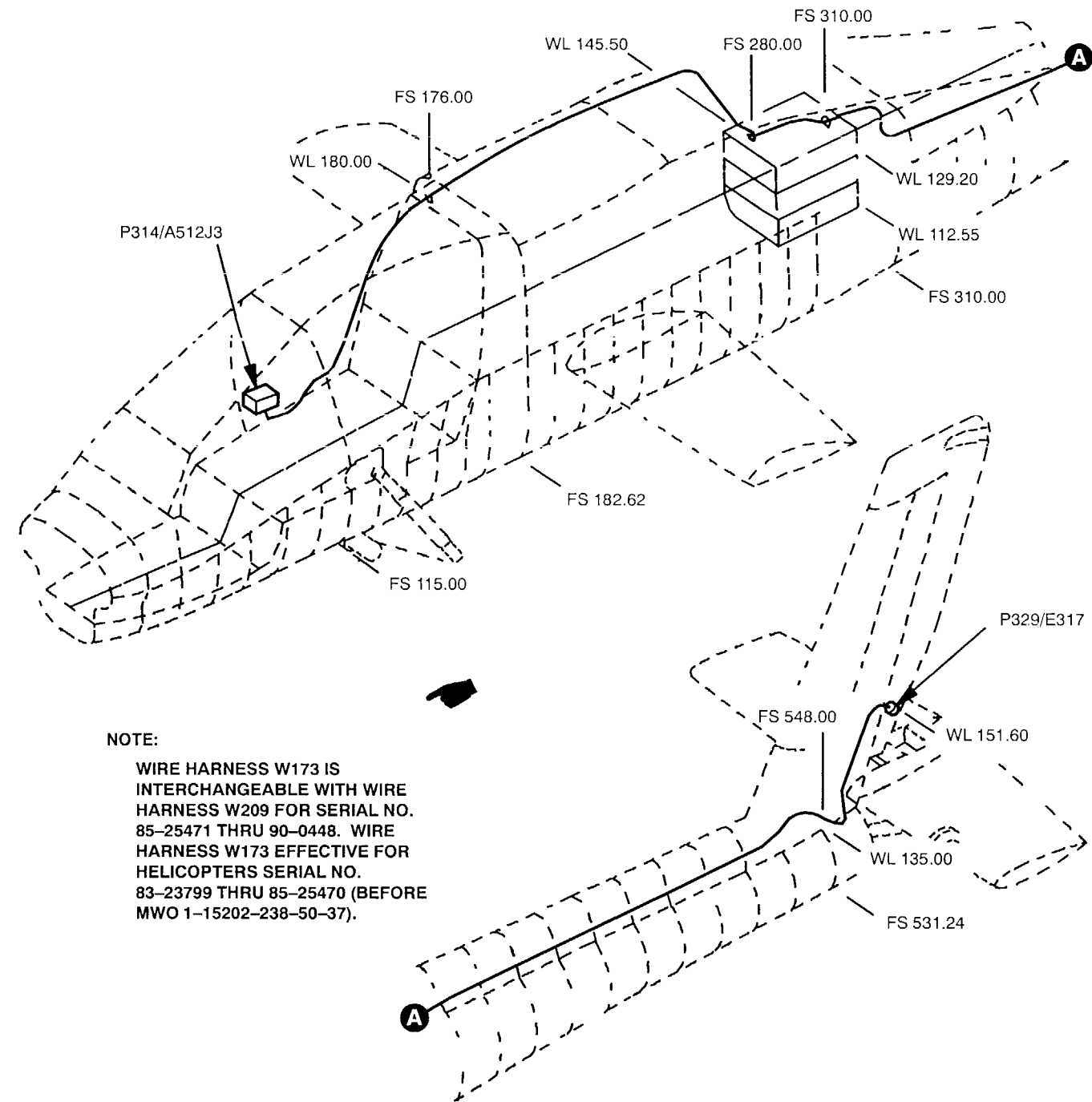


NOTE:

WIRE HARNESS W172 EFFECTIVE FOR HELICOPTERS
SERIAL NO. 83-23799 THRU 85-25470 (BEFORE
MWO 1-1520-238-50-37).

M50-035B

27-28. WIRE HARNESS W173

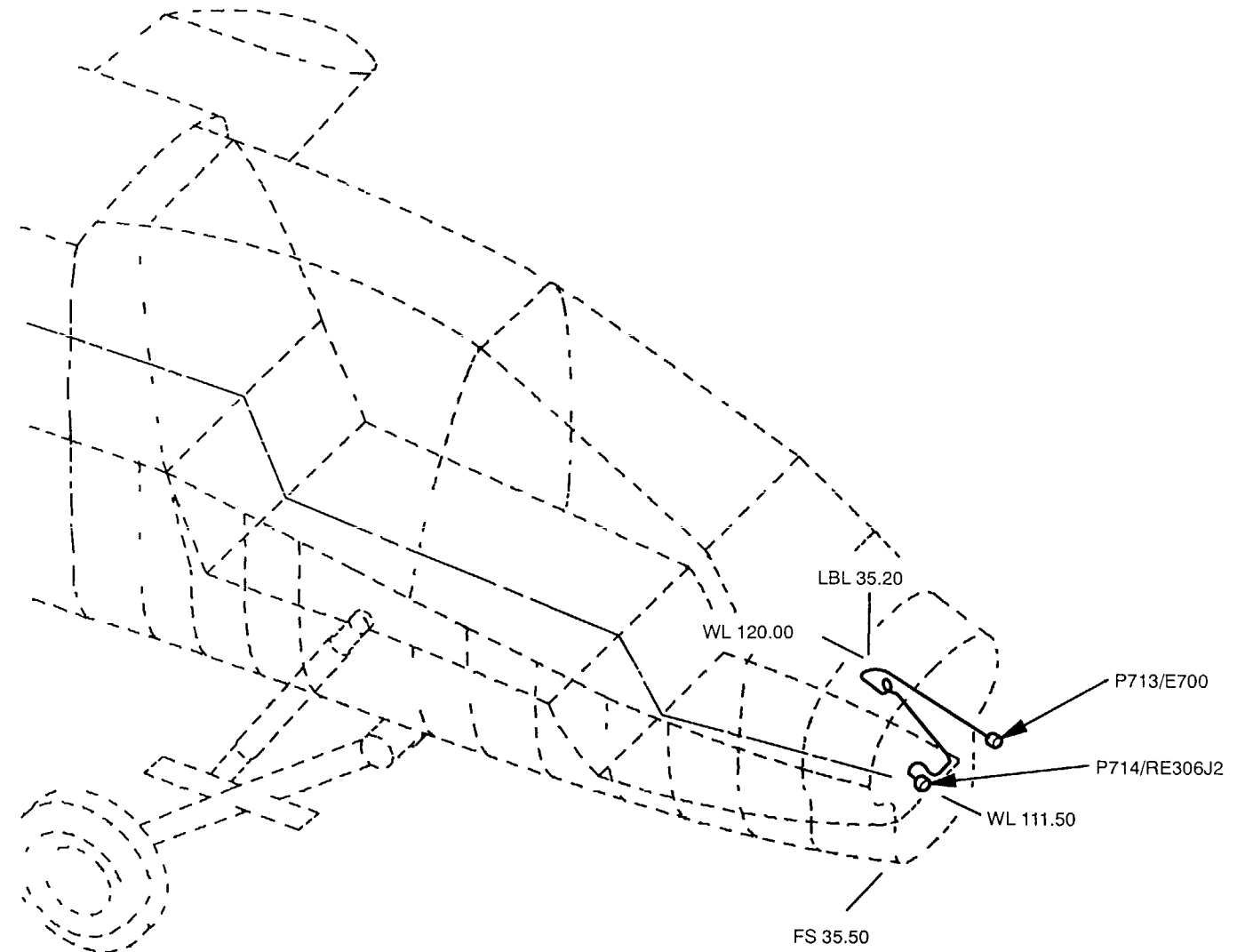


NOTE:
 WIRE HARNESS W173 IS INTERCHANGEABLE WITH WIRE HARNESS W209 FOR SERIAL NO. 85-25471 THRU 90-0448. WIRE HARNESS W173 EFFECTIVE FOR HELICOPTERS SERIAL NO. 83-23799 THRU 85-25470 (BEFORE MWO 1-15202-238-50-37).

M50-036B

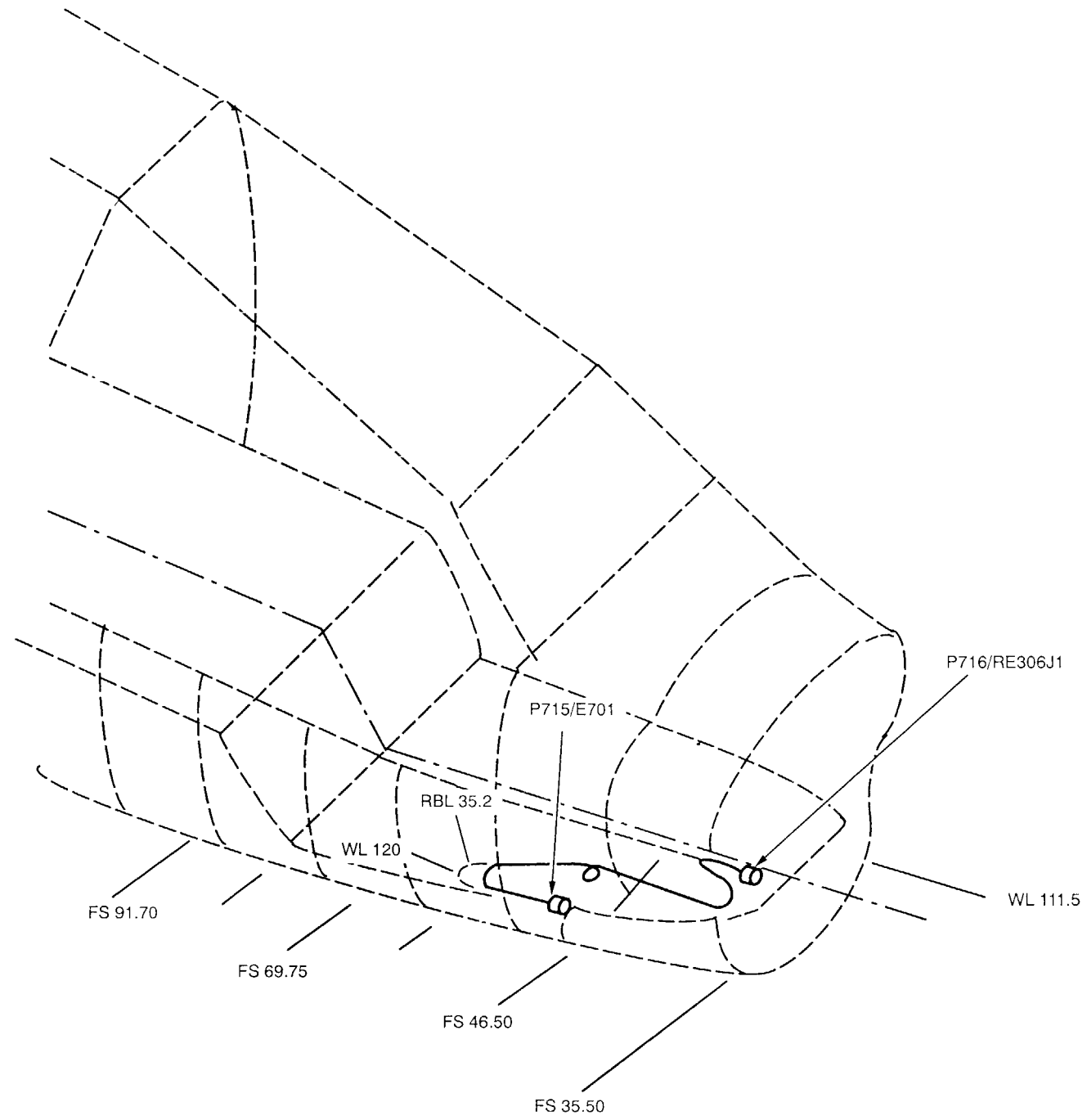
27-29. WIRE HARNESS W175

27-28/27-29



M50-044A

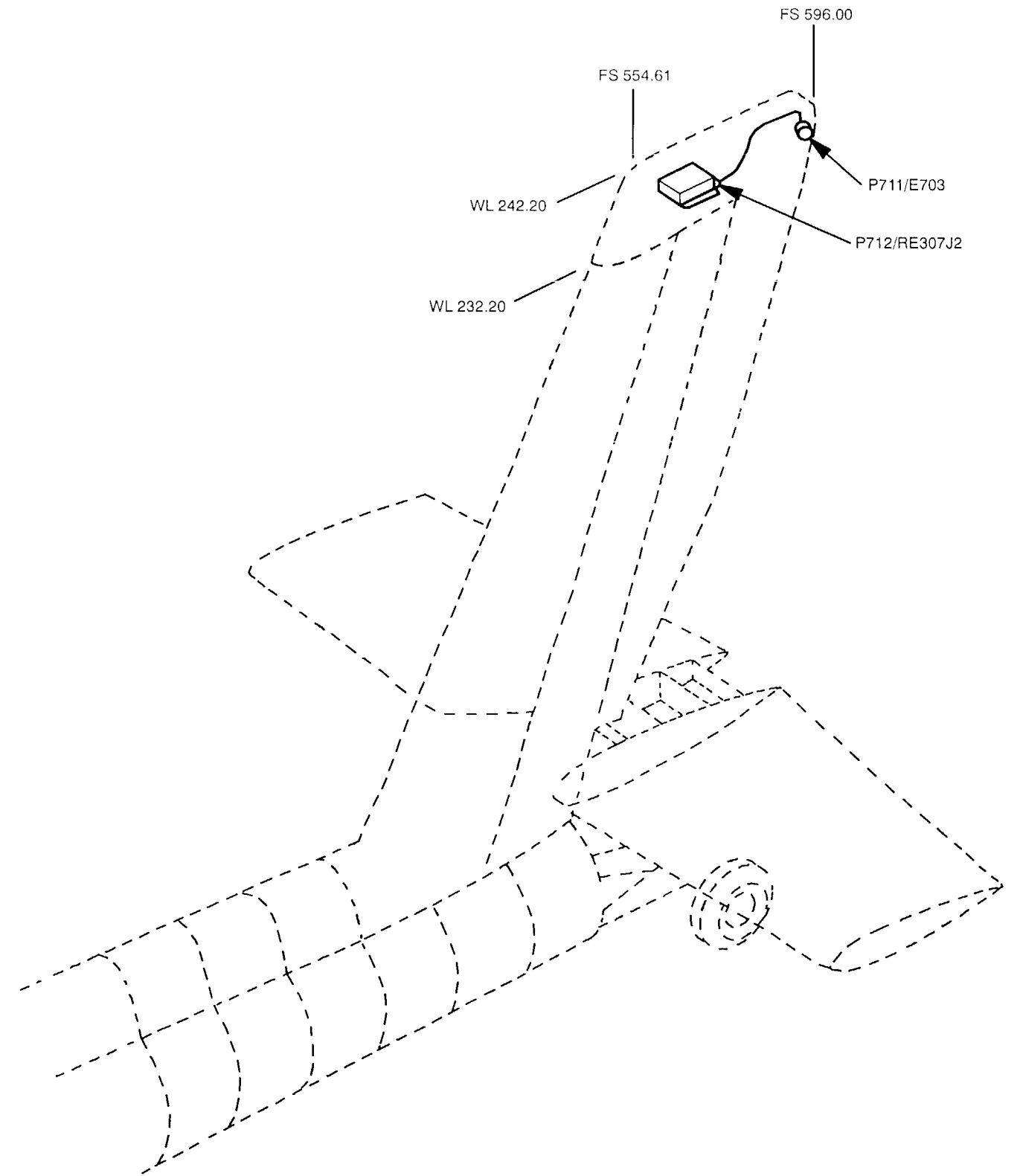
27-30. WIRE HARNESS W176



M50-045A

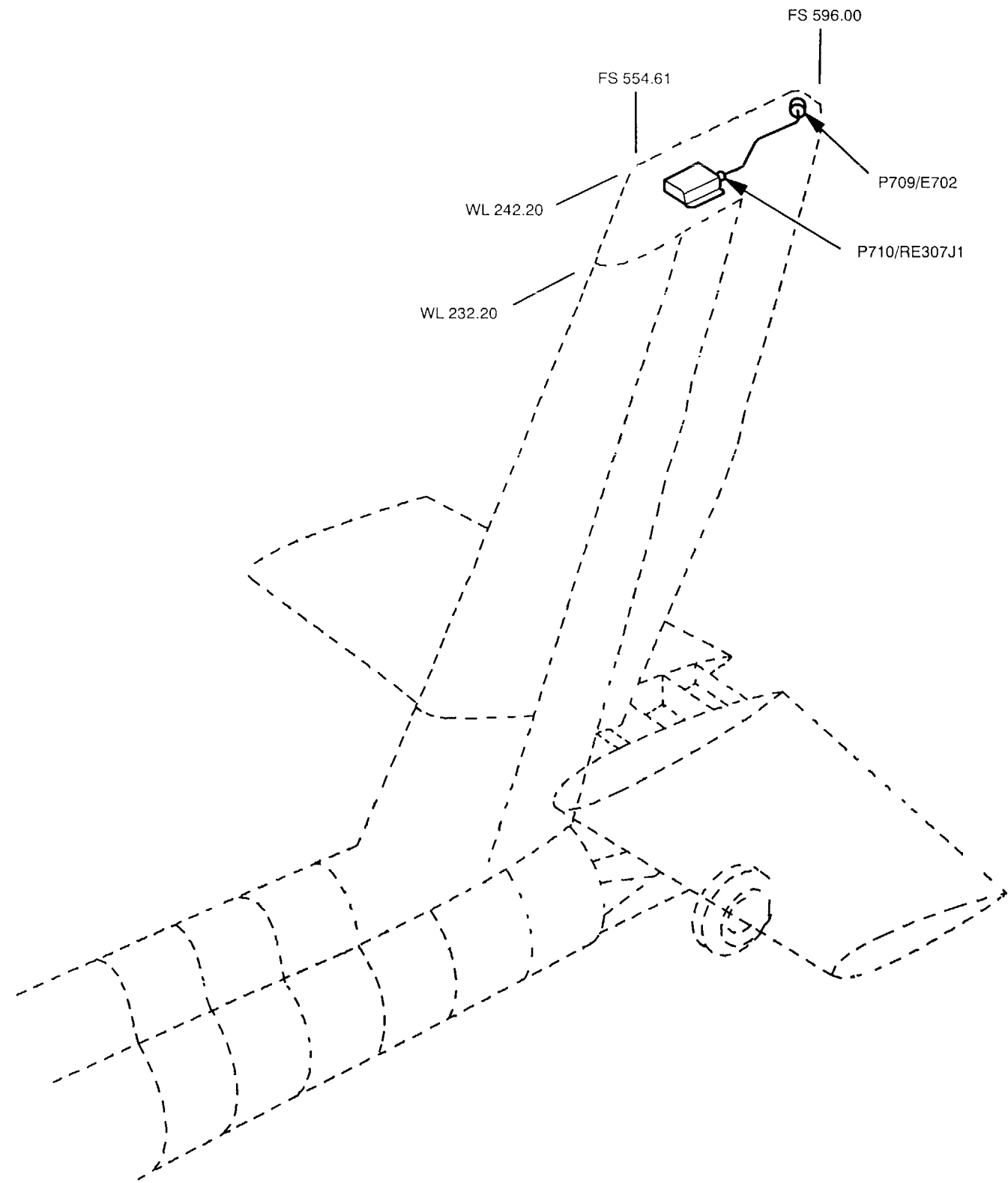
27-31. WIRE HARNESS W177

27-30/27-31



M50-046

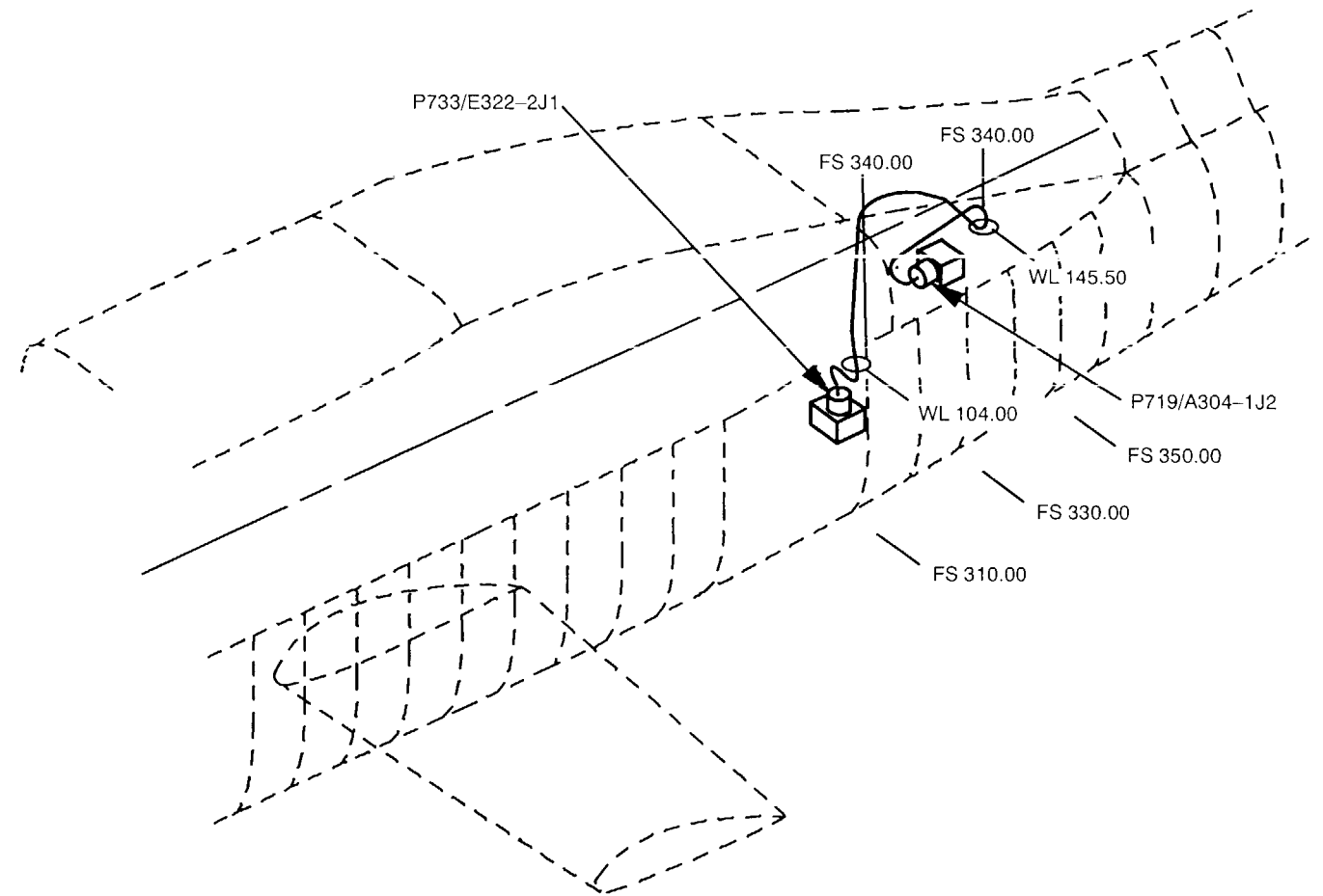
27-32. WIRE HARNESS W178



M50-047

27-33. WIRE HARNESS W181

27-32/27-33

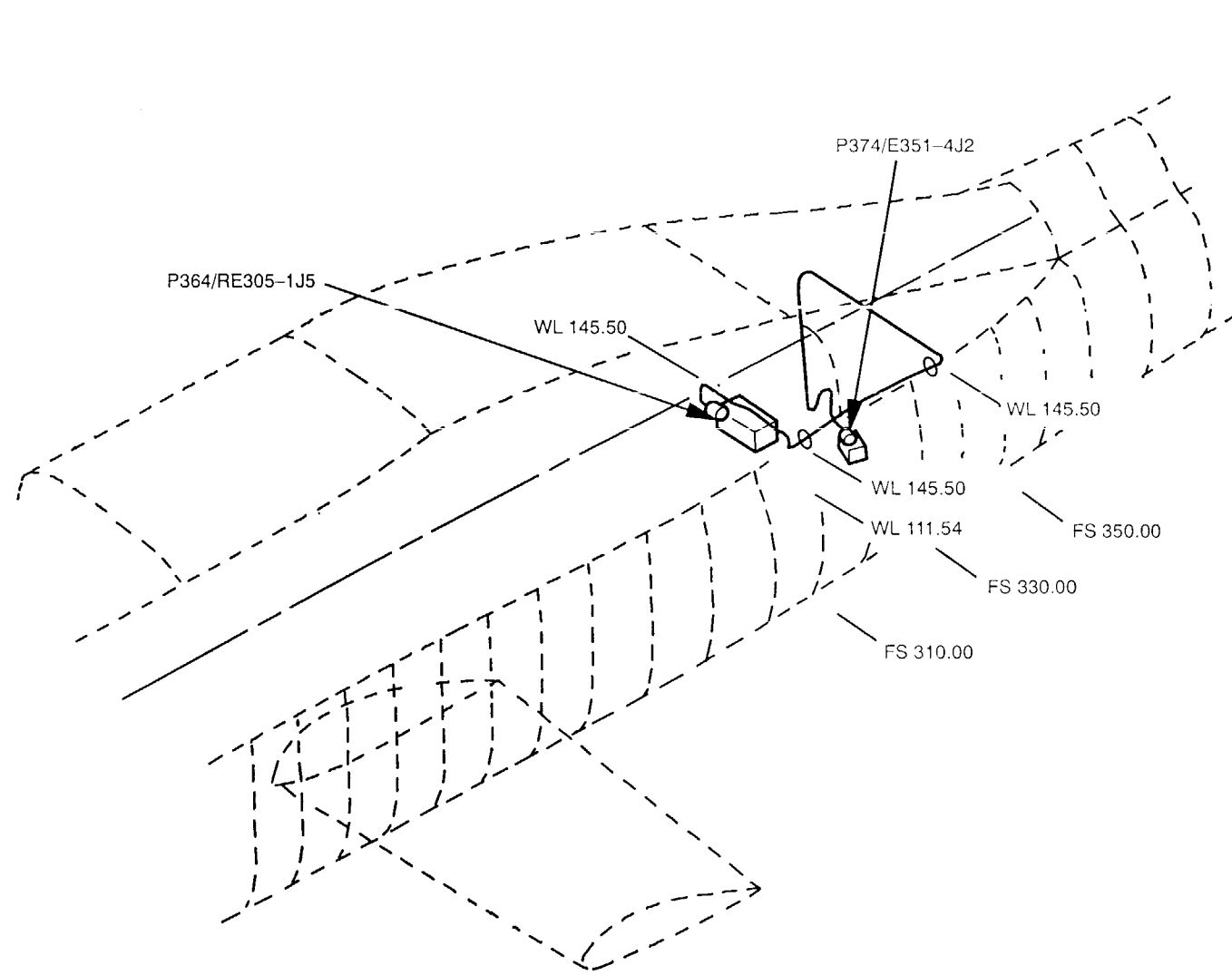


NOTE:

EFFECTIVE FOR HELICOPTERS
SERIAL NO. 82-23355 THRU 85-25488.

M50-071

27-34. WIRE HARNESS W182



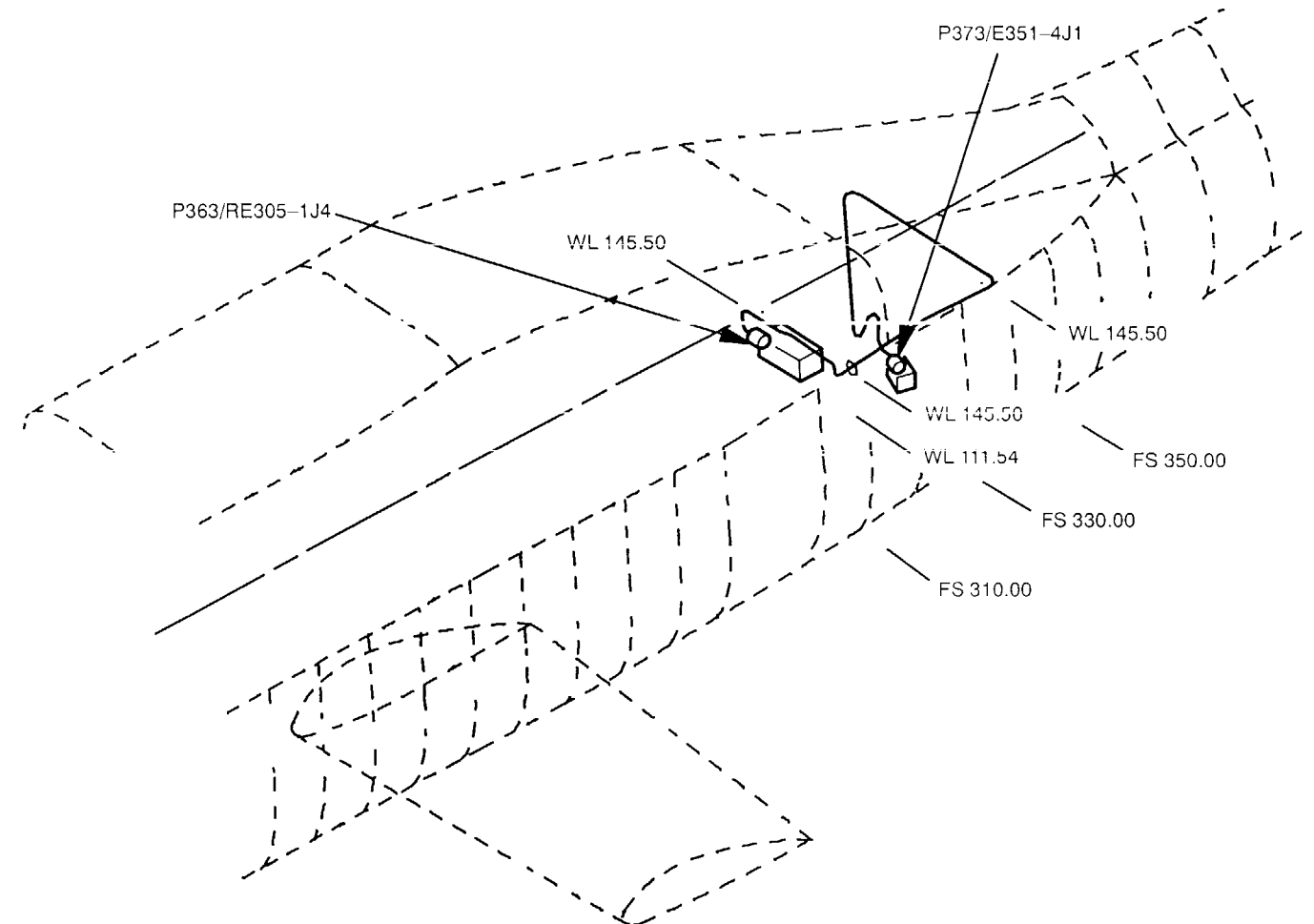
NOTE:

WIRE HARNESS W182 EFFECTIVE FOR
HELICOPTERS SERIAL NO. 82-23355
THRU 90-0290, 90-0292 THRU 90-0301
(BEFORE MWO 1-1520-238-50-07).

M50-060B

27-35. WIRE HARNESS W183

27-34/27-35

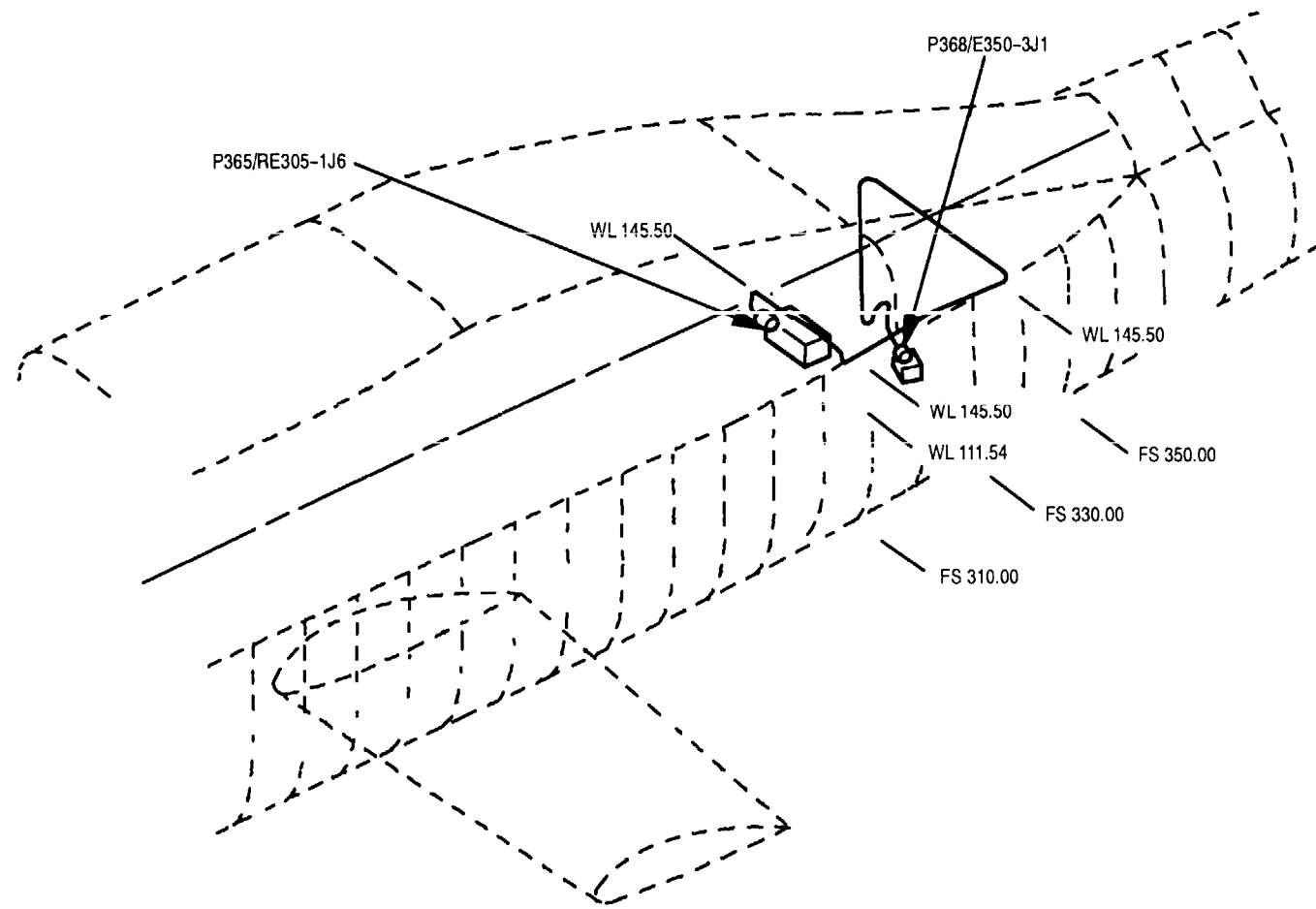


NOTE:

WIRE HARNESS W183 EFFECTIVE FOR
HELICOPTERS SERIAL NO. 82-23355
THRU 90-0290, 90-0292 THRU 90-0301
(BEFORE MWO 1-1520-238-50-07).

M50-061A

27-36. WIRE HARNESS W184



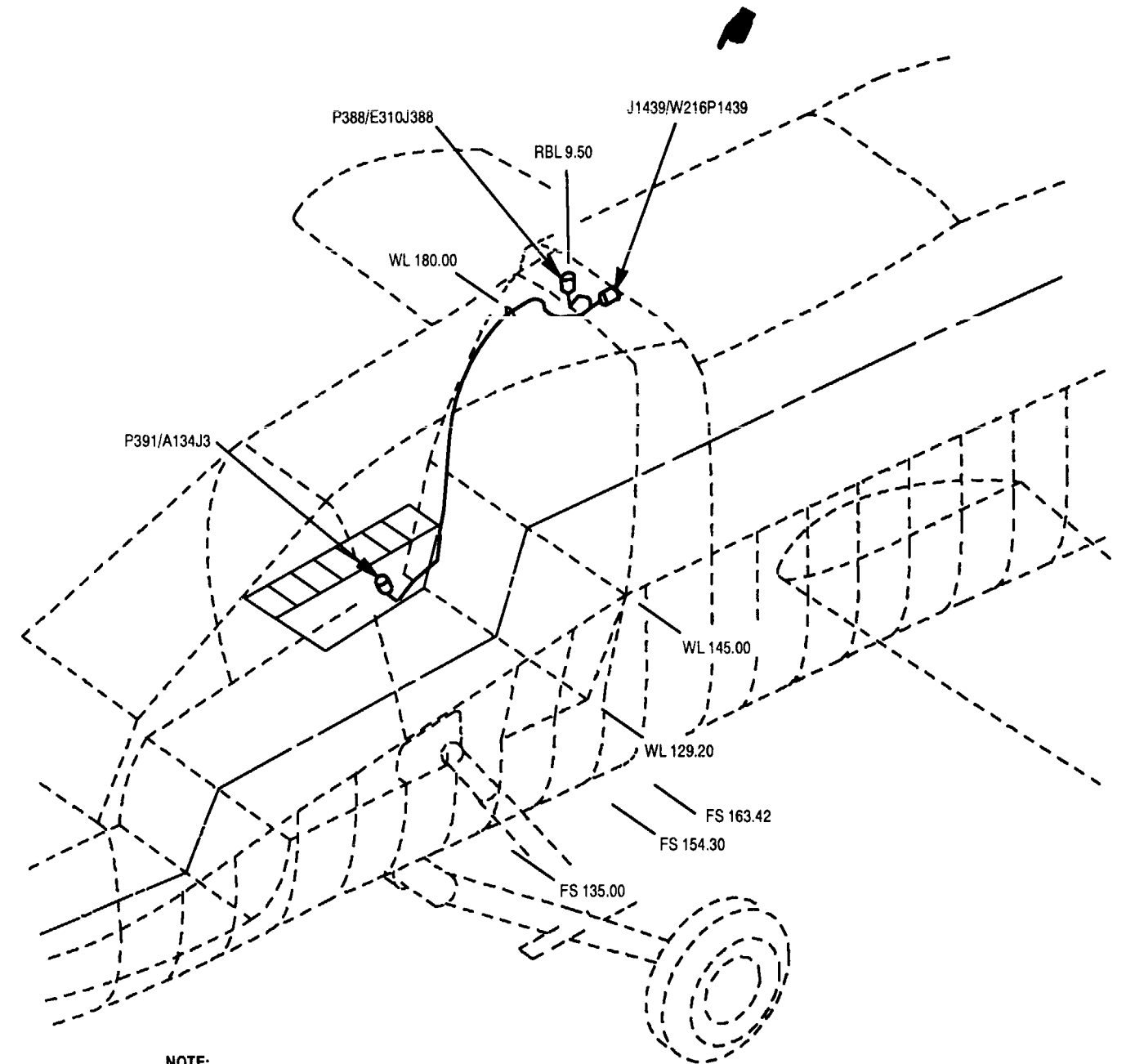
NOTE:

WIRE HARNESS W184 EFFECTIVE FOR HELICOPTERS SERIAL NO. 82-23355 THRU 90-0290, 90-0292 THRU 90-0301 (BEFORE MWO 1-1520-238-50-07).

M50-062A

27-37. WIRE HARNESS W187

27-36/27-37

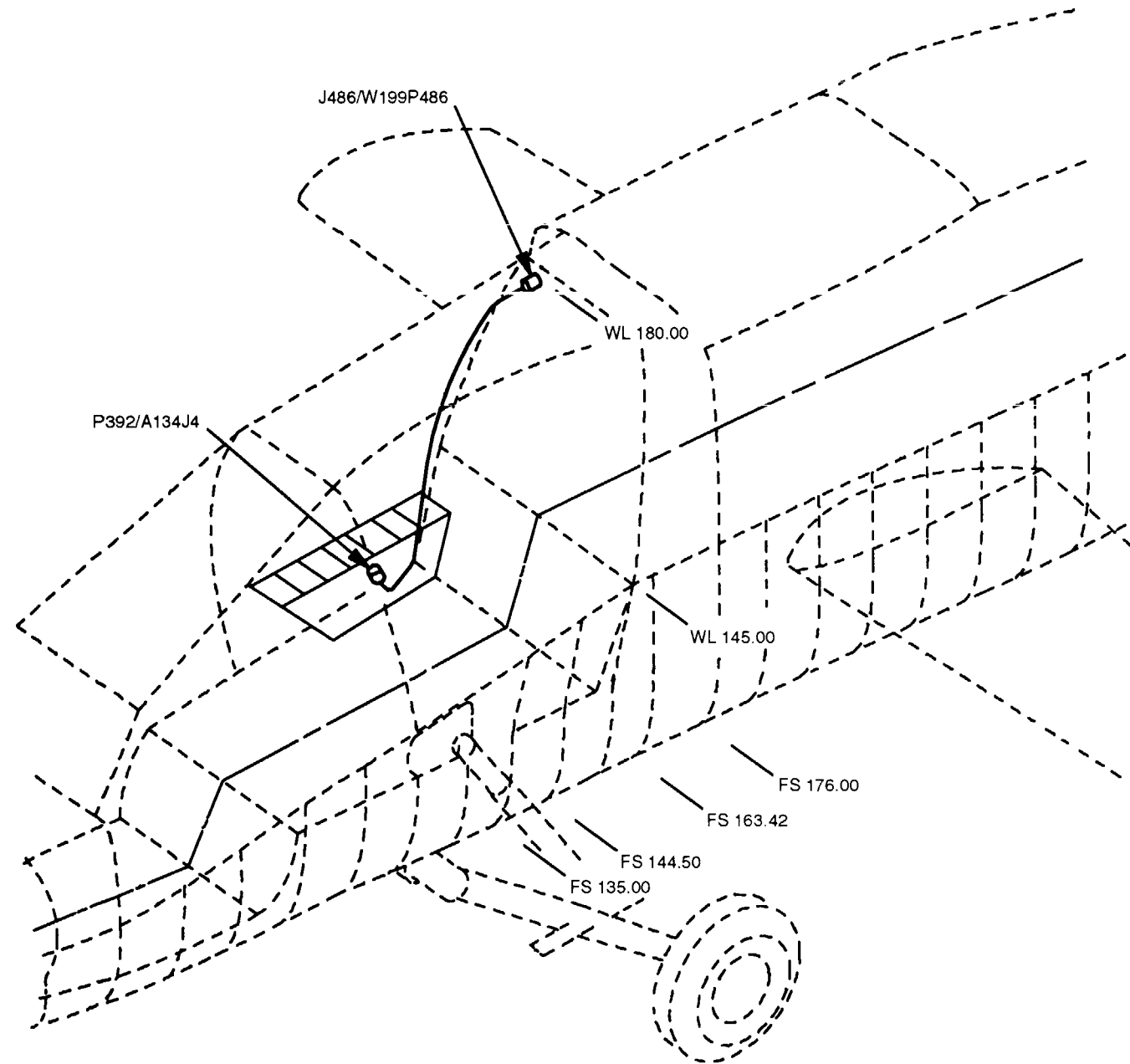


NOTE:

CONNECTOR P388/E310J388 IS EFFECTIVE ON HELICOPTERS SERIAL NO. 82-23355 THRU 90-0448 (BEFORE MWO 1-1520-238-50-36). CONNECTOR J1439/W216P1439 IS EFFECTIVE ON HELICOPTERS SERIAL NO. 90-0440 AND SUBSEQUENT (AFTER MWO 1-1520-238-50-36).

M50-063B

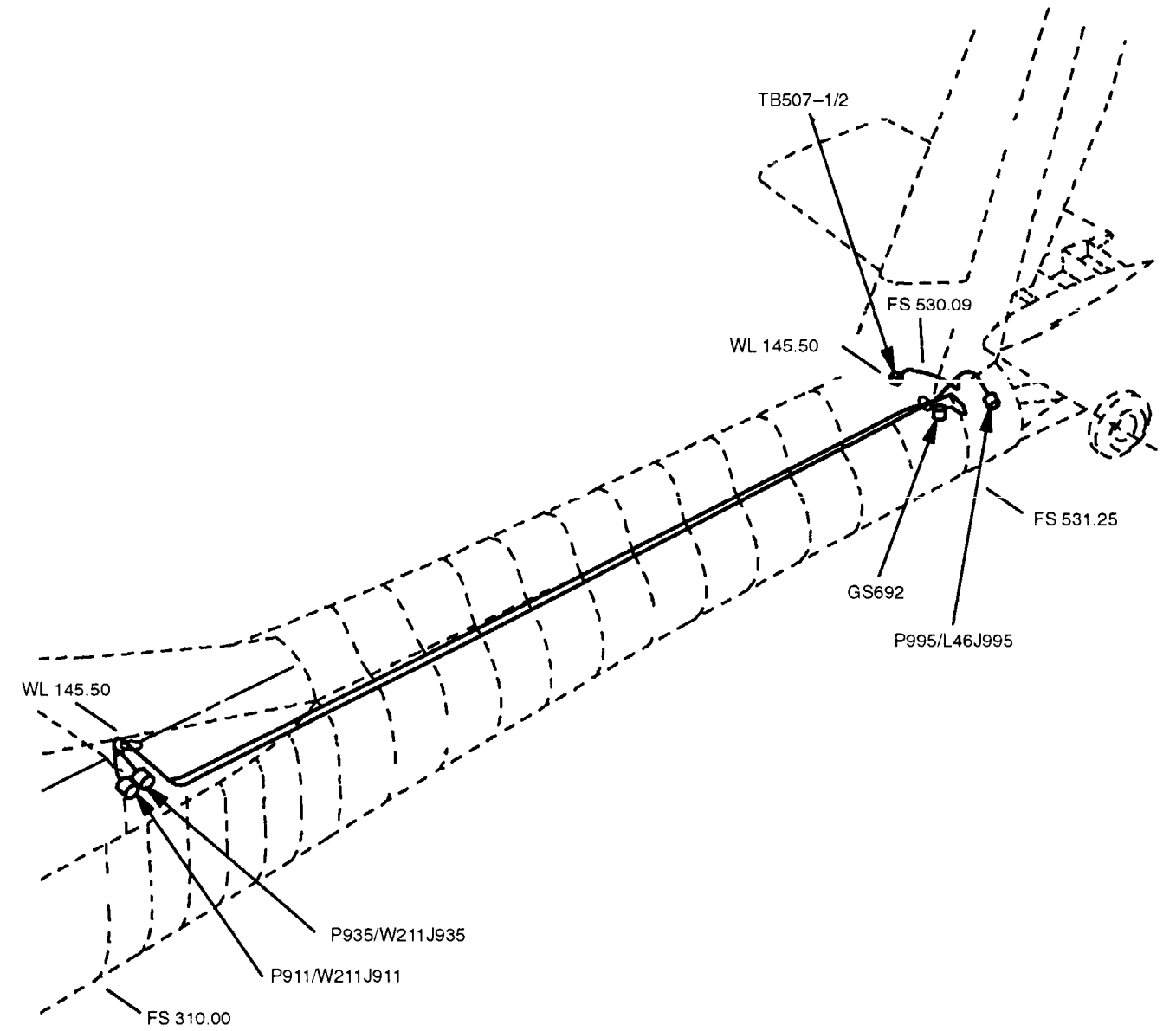
27-38. WIRE HARNESS W188



M50-064

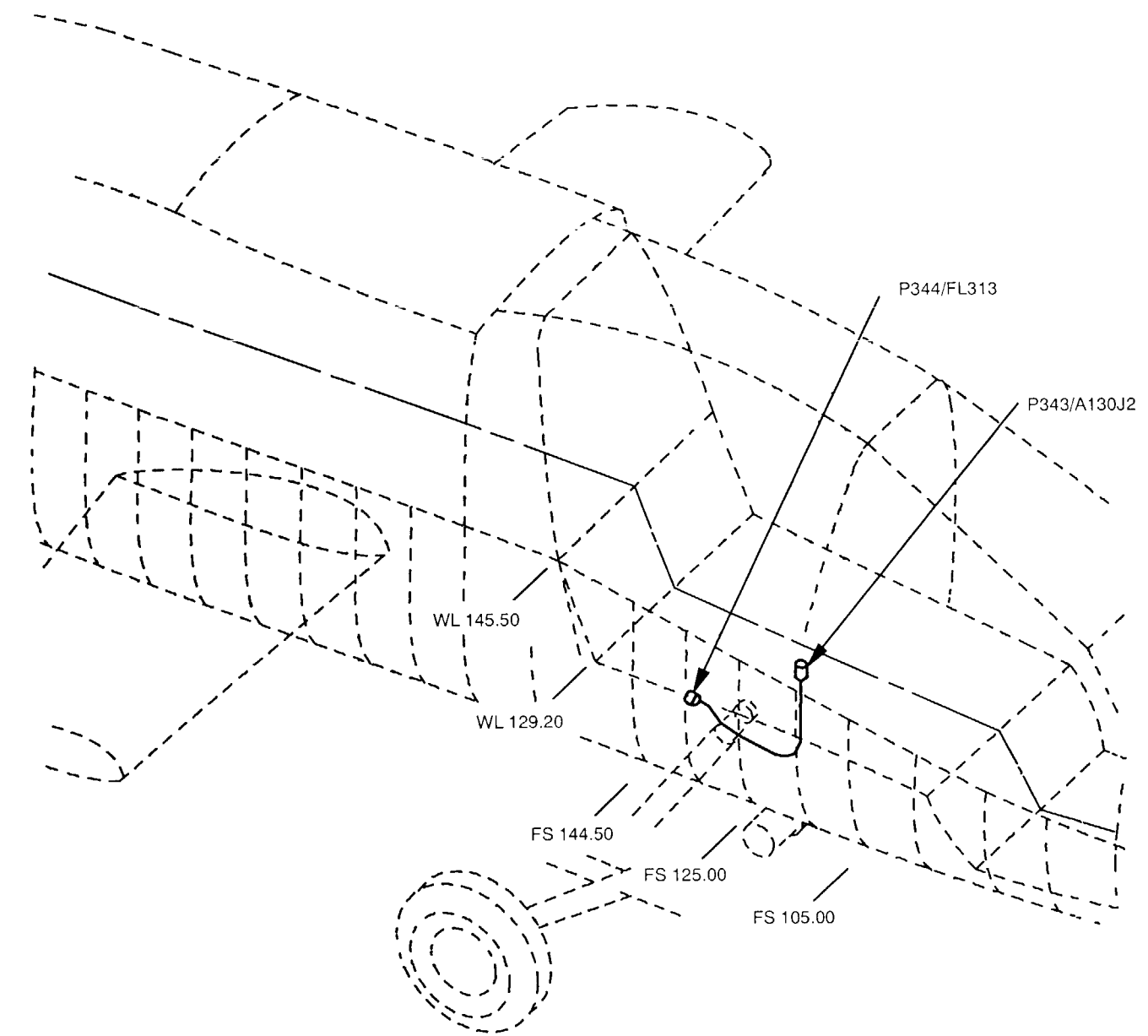
27-39. WIRE HARNESS W189

27-38/27-39



M50-069

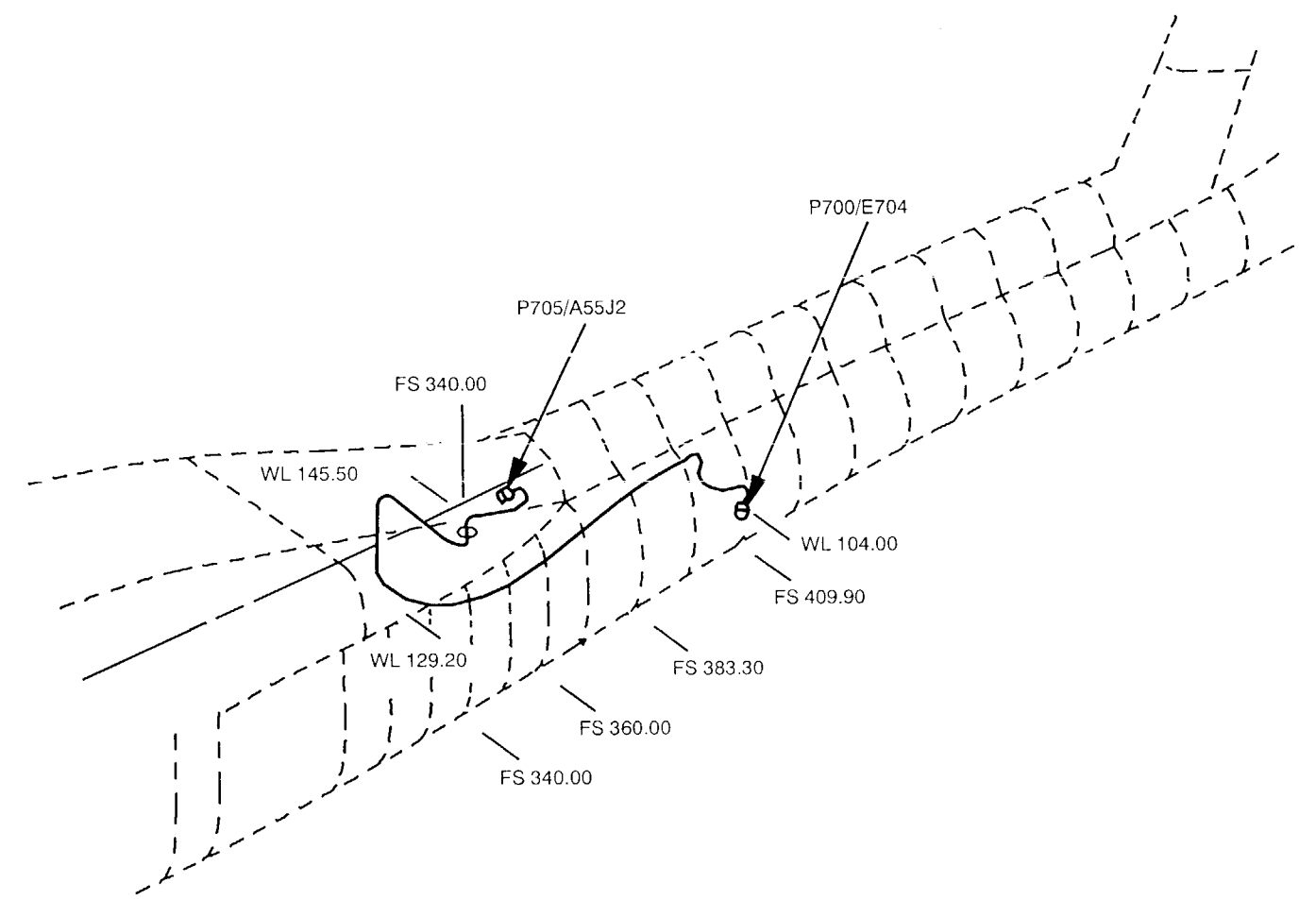
27-40. WIRE HARNESS W190



M50-065

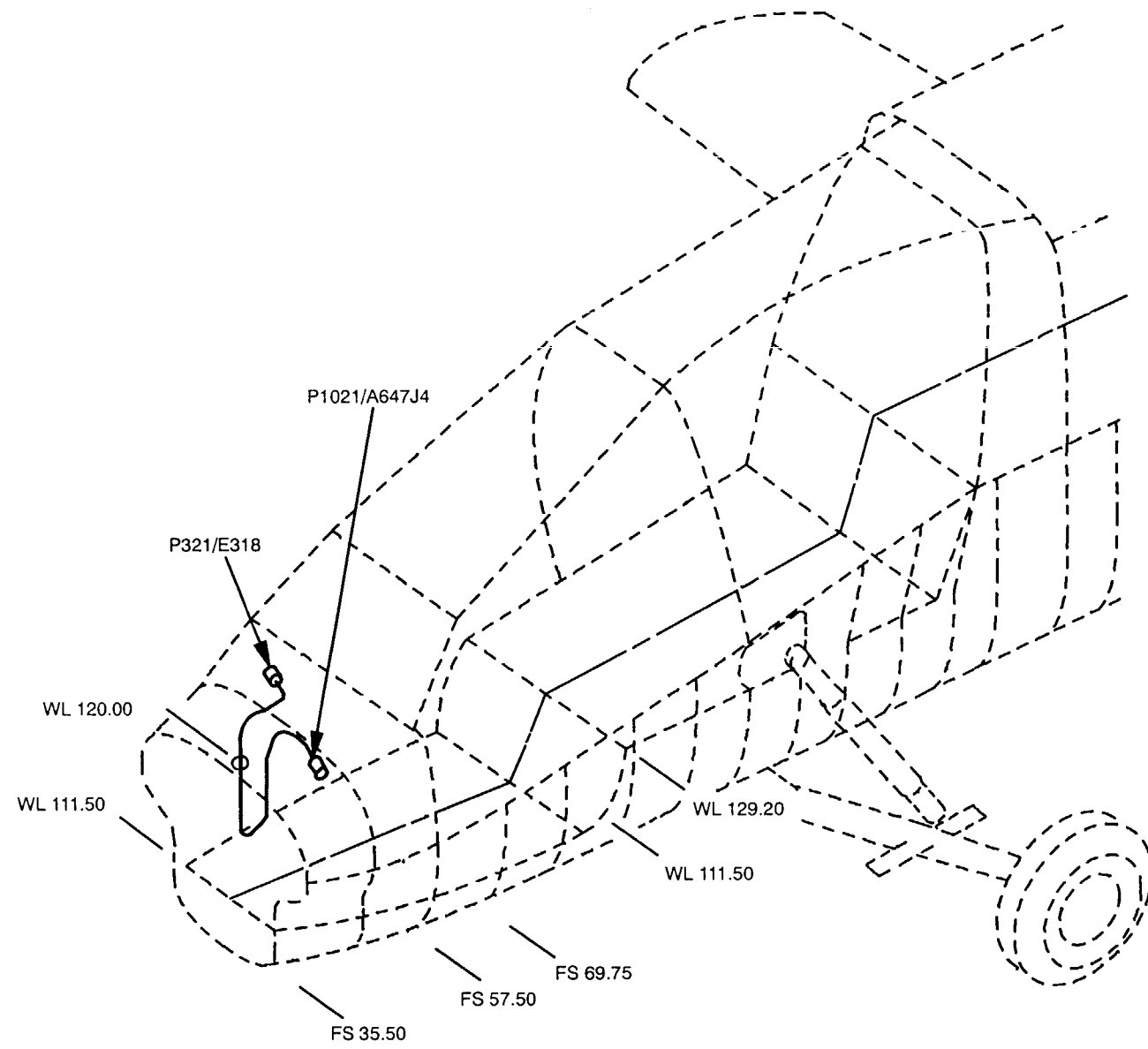
27-41. WIRE HARNESS W191

27-40/27-41



M50-066

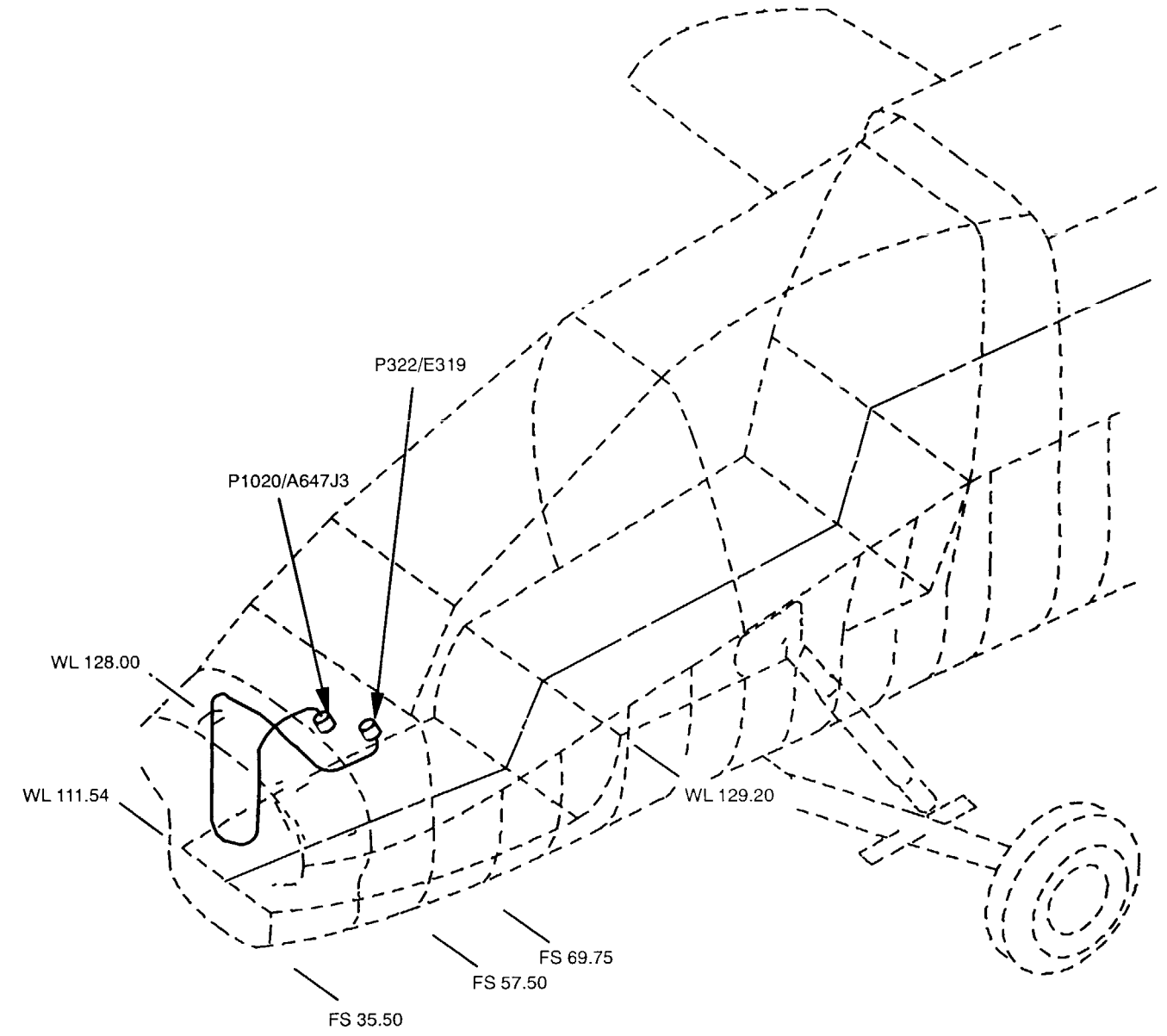
27-42. WIRE HARNESS W195



M50-067

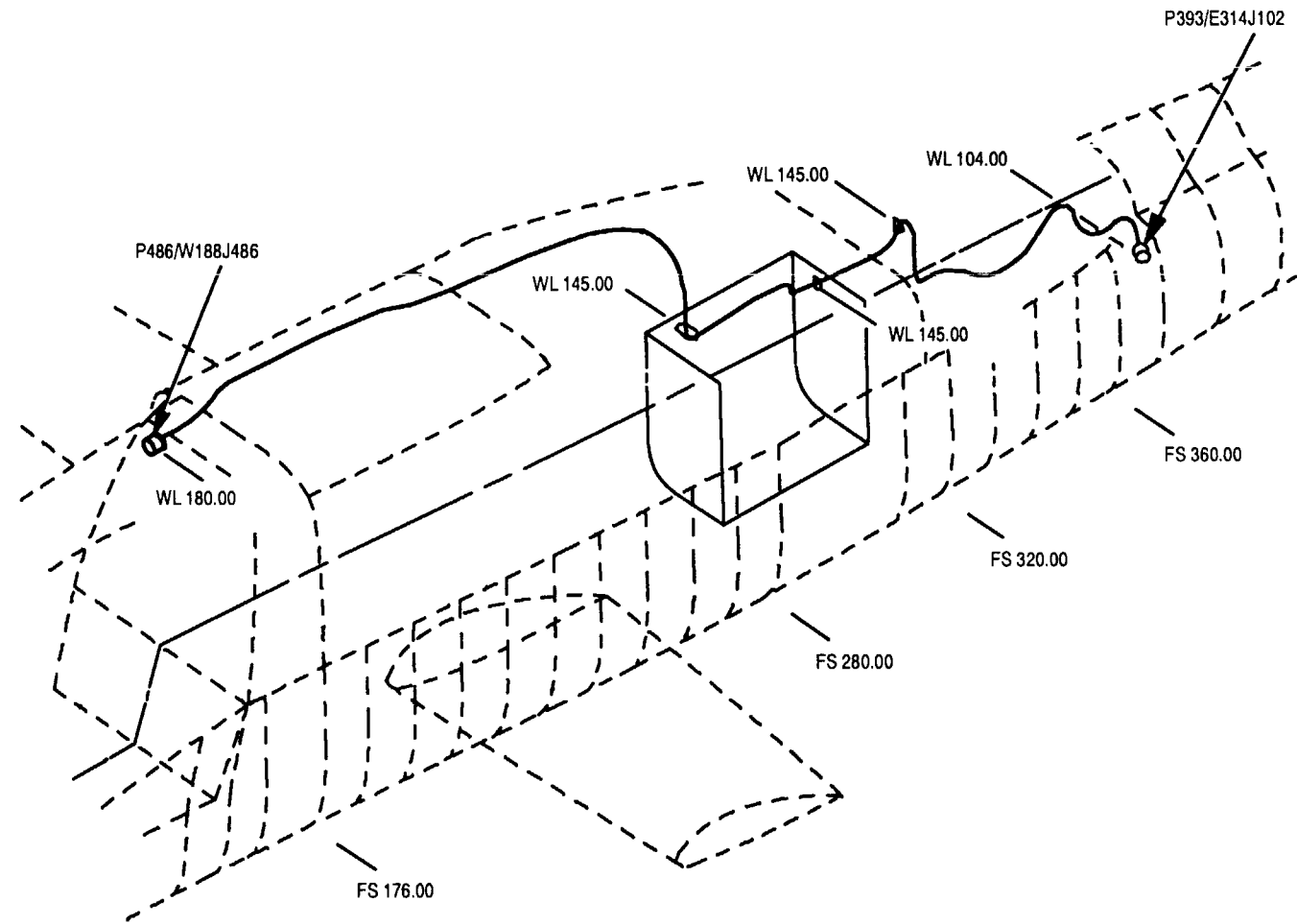
27-43. WIRE HARNESS W197

27-42/27-43



M50-081

27-44. WIRE HARNESS W199



NOTE:

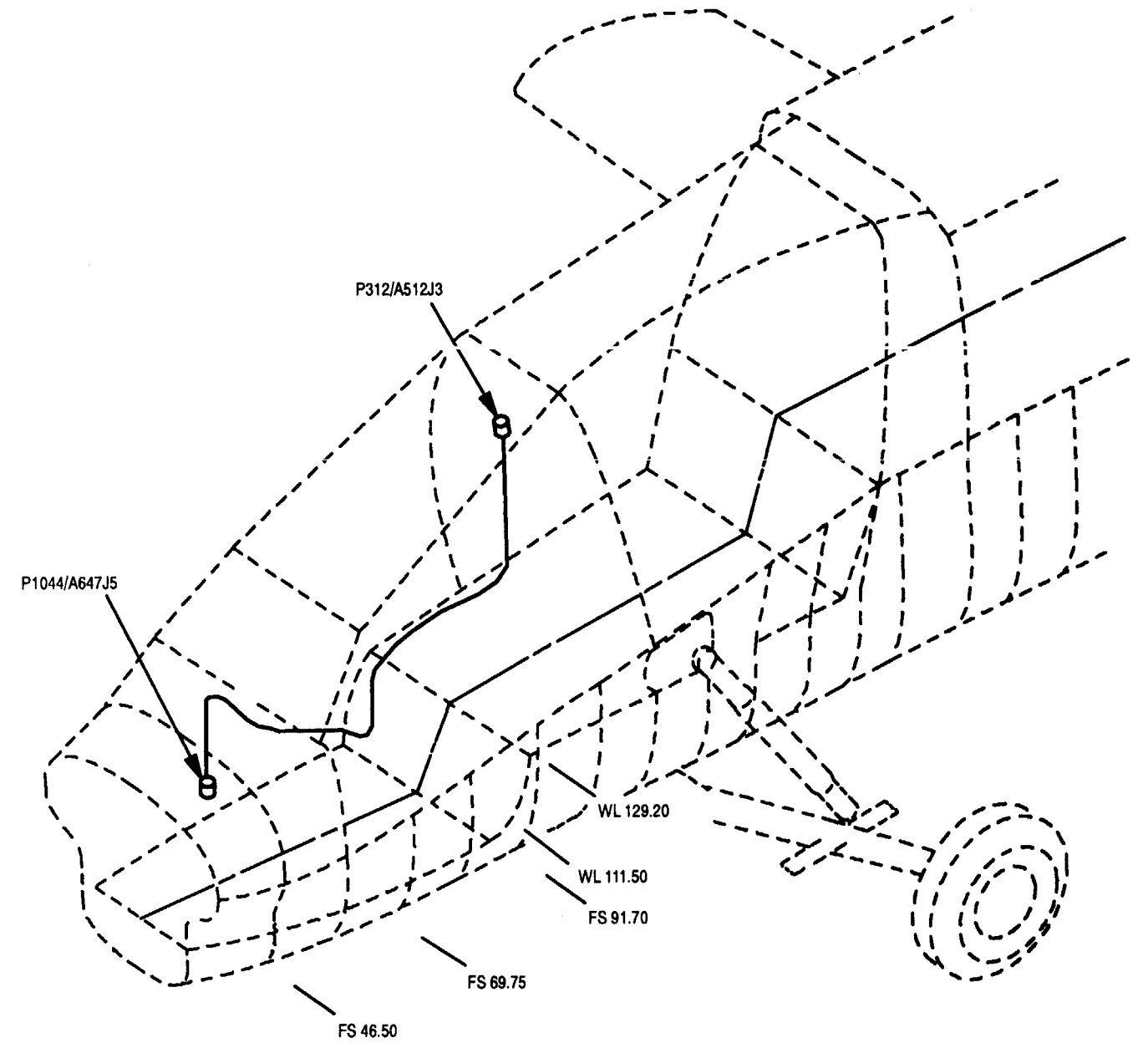
WIRE HARNESS W199 EFFECTIVE FOR
 HELICOPTERS SERIAL NO. 82-23355 THRU
 90-0448 (BEFORE MWO 1-1520-238-50-36).



M50-083A

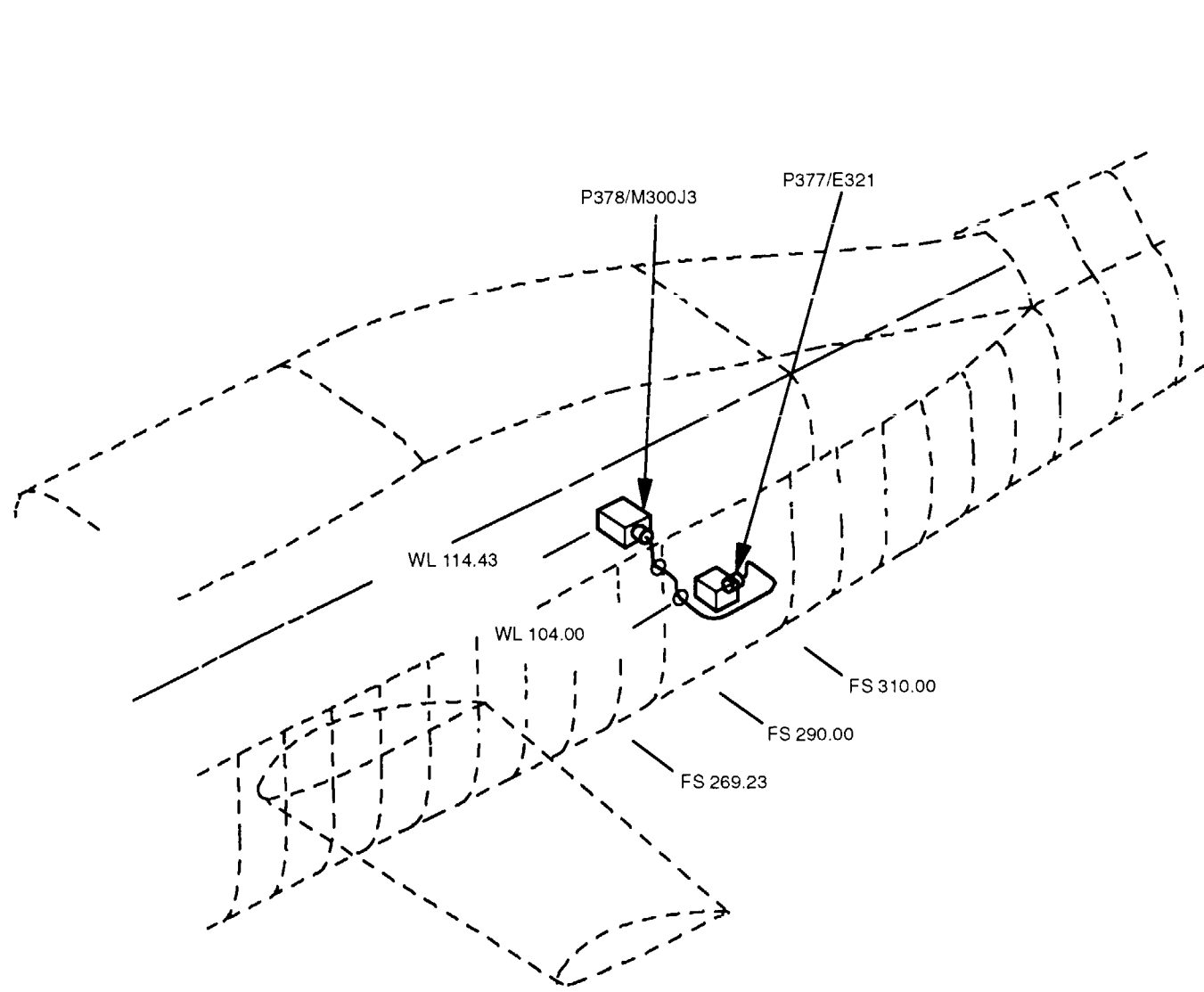
27-45. WIRE HARNESS W201

27-44/27-45



M50-085

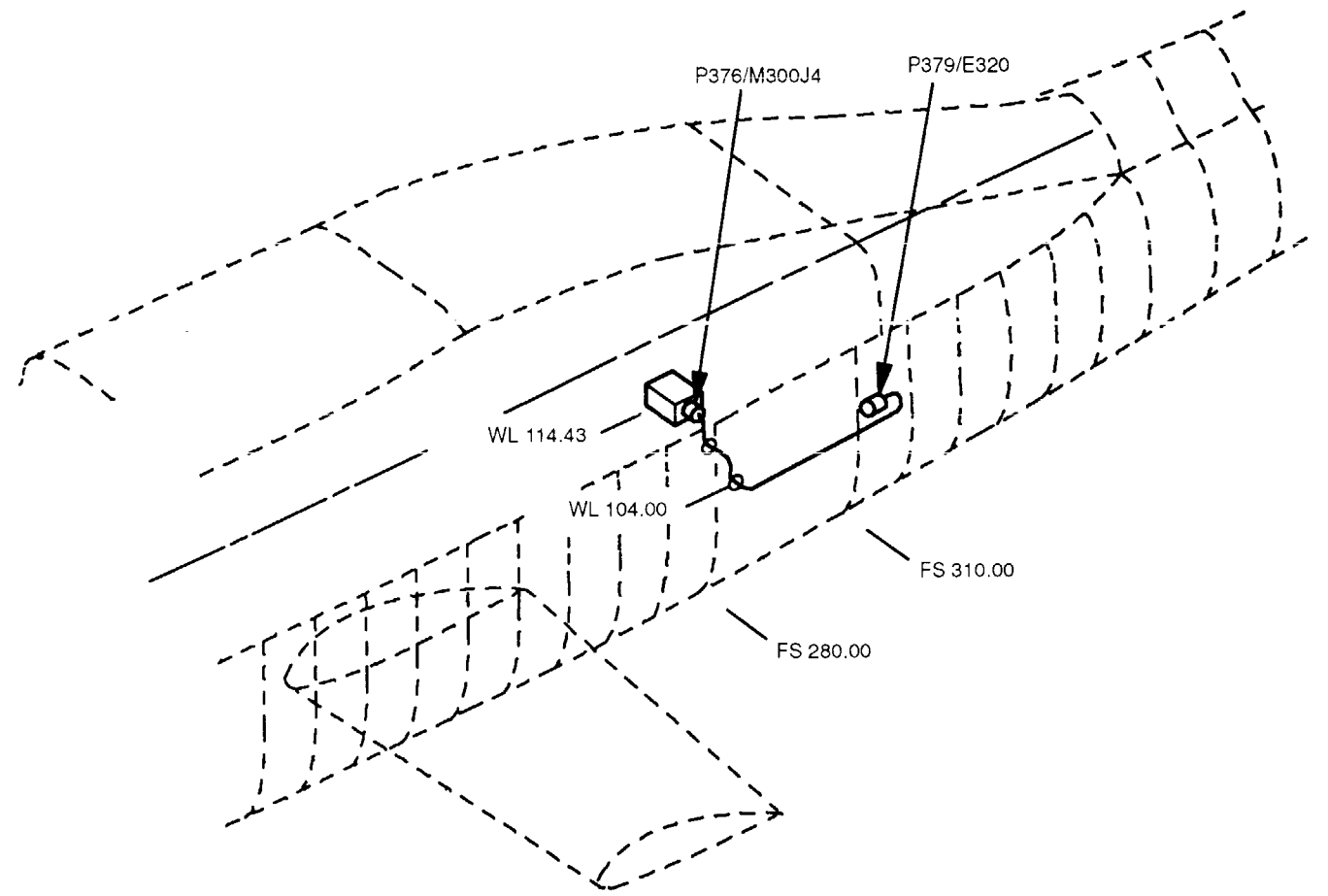
27-46. WIRE HARNESS W202



M50-087

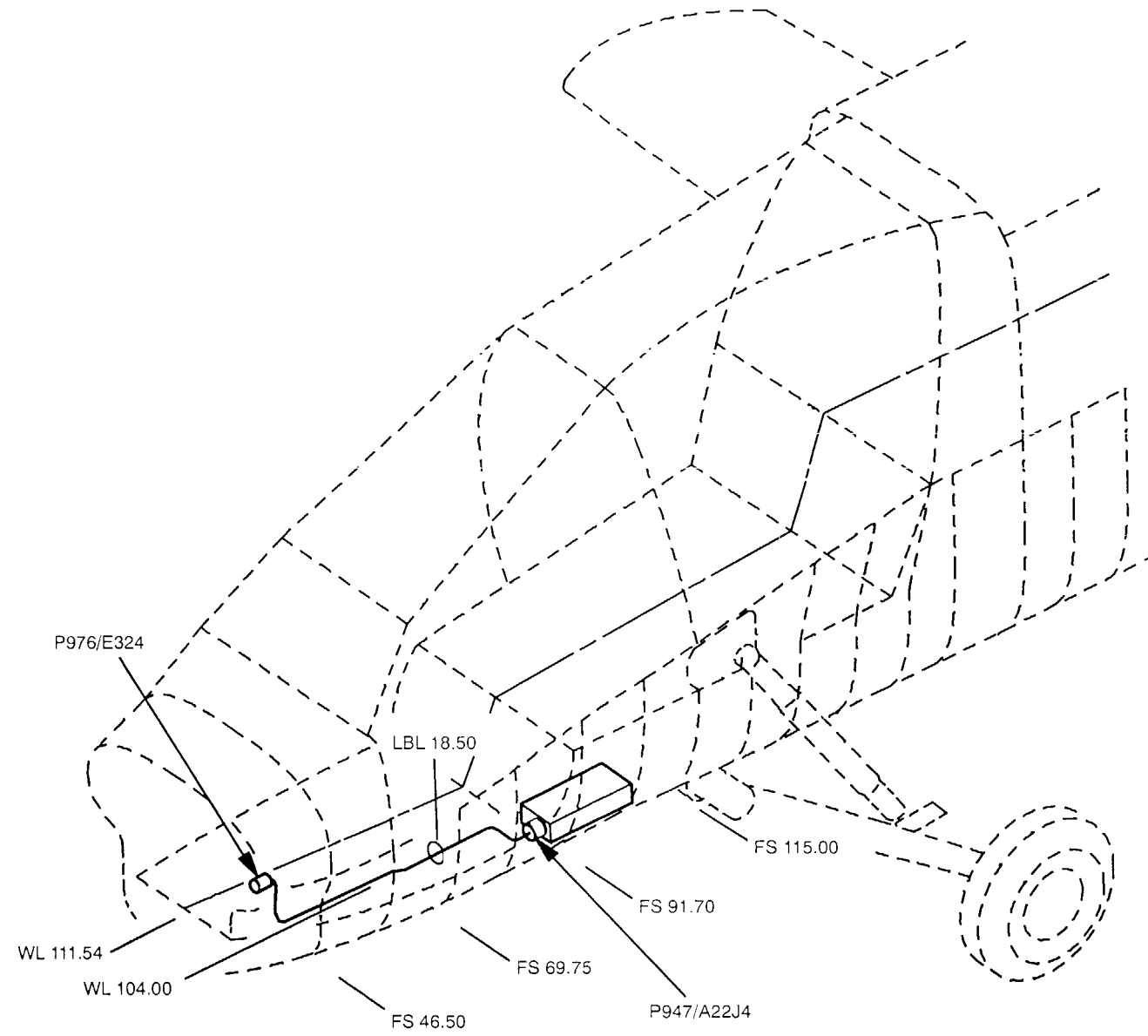
27-47. WIRE HARNESS W203

27-46/27-47



M50-089

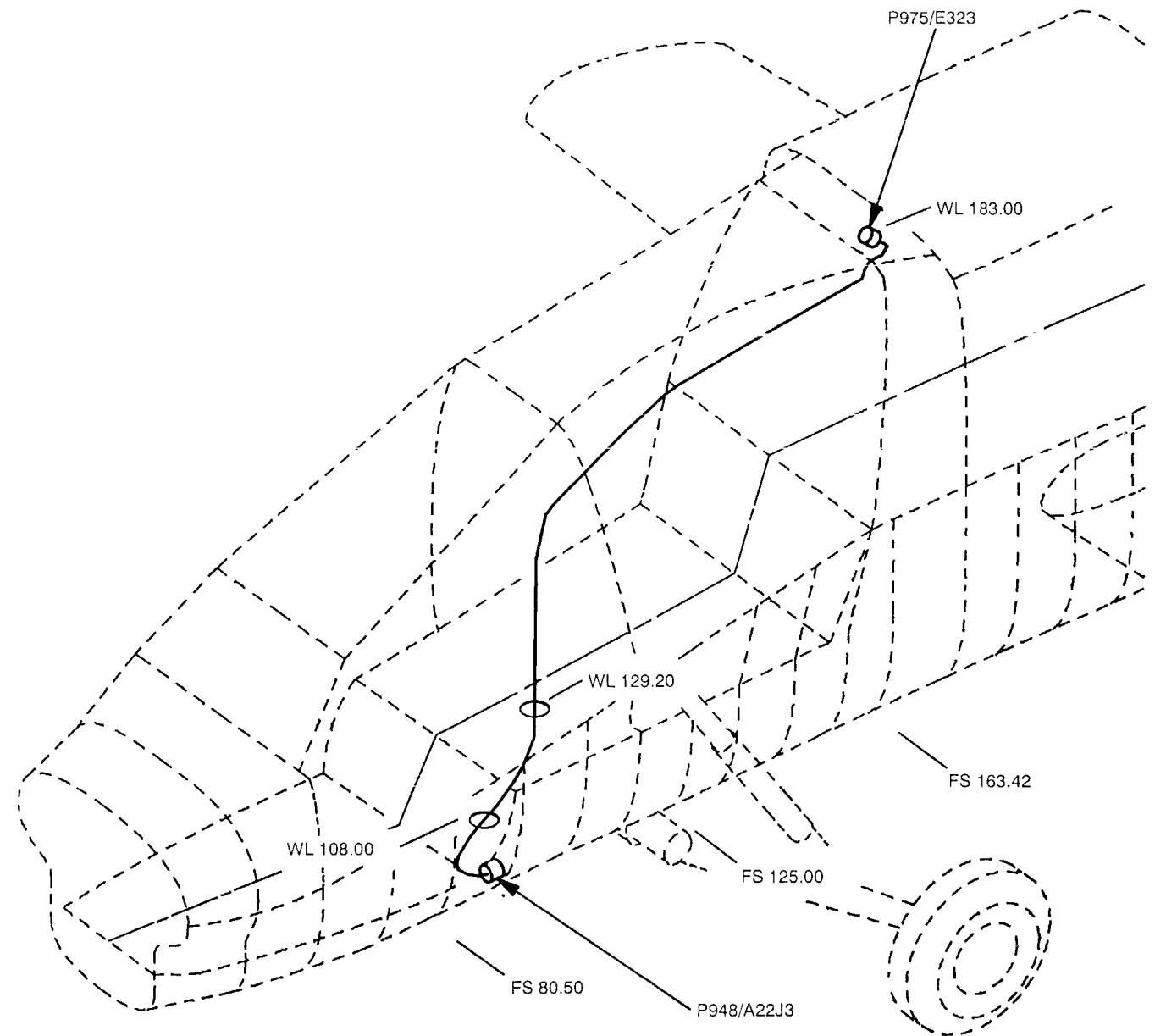
27-48. WIRE HARNESS W204



M50-091

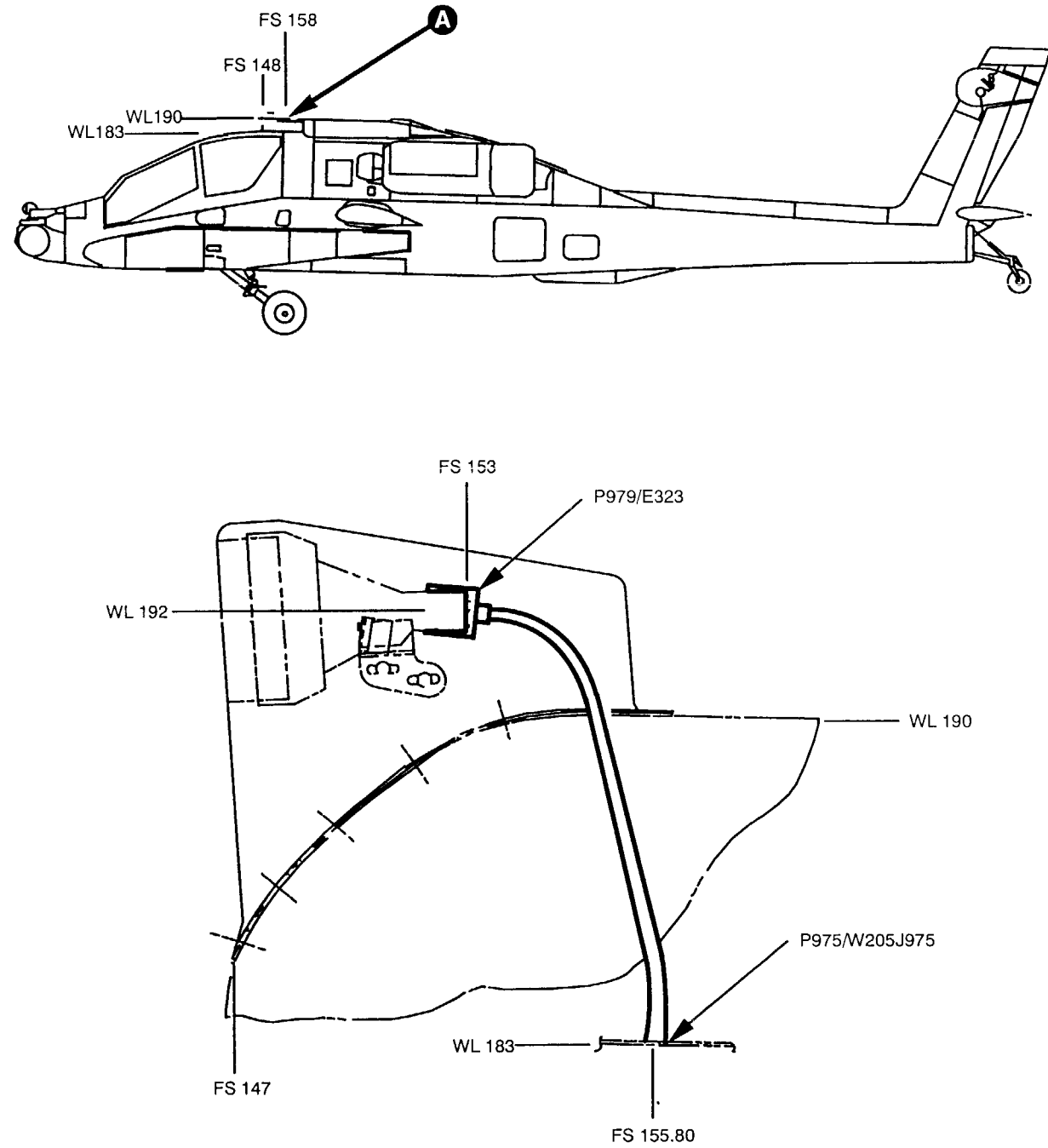
27-49. WIRE HARNESS W205

27-48/27-49



M50-093

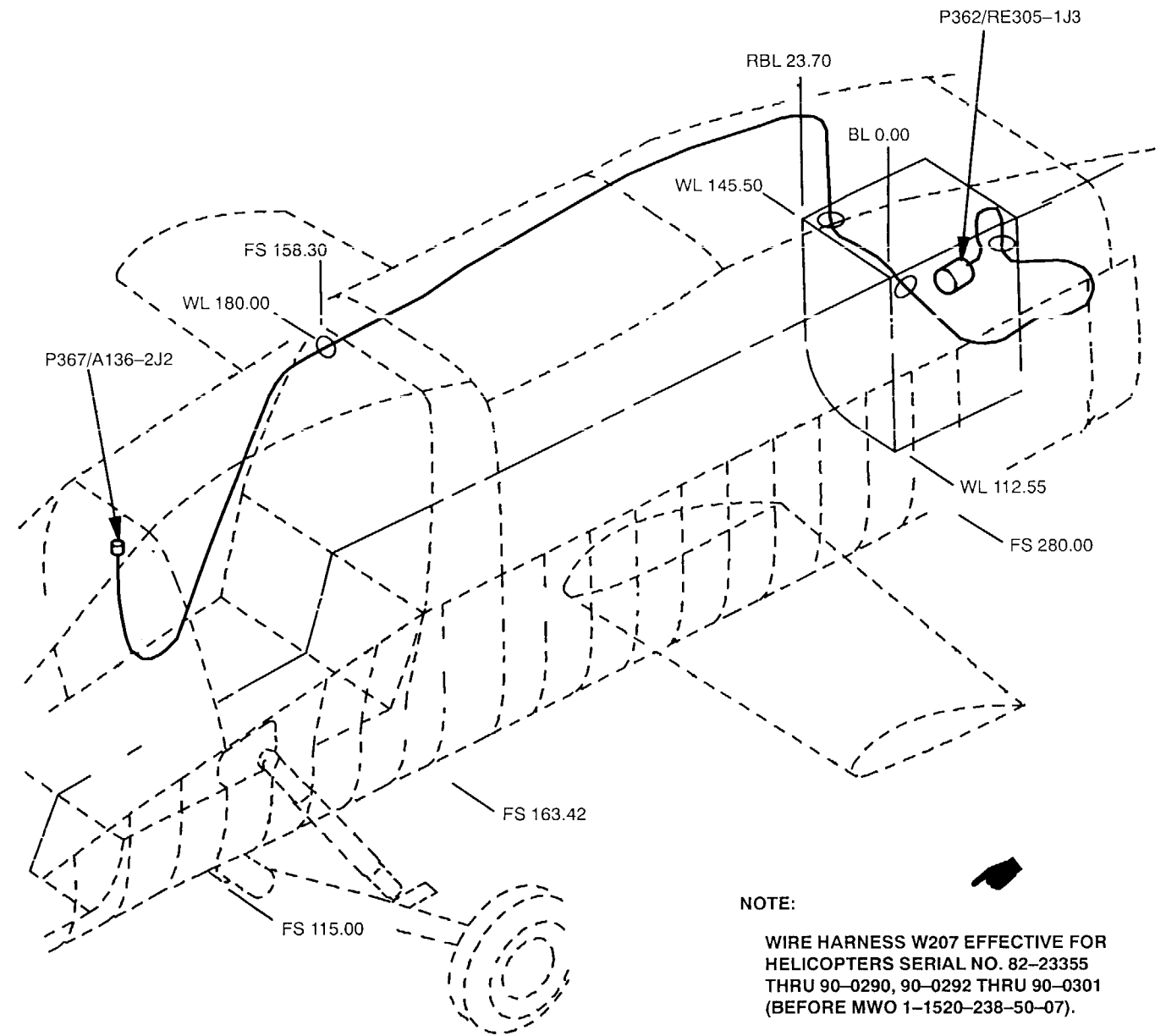
27-50. WIRE HARNESS W206



A RADAR JAMMER ANTENNA

M50-160

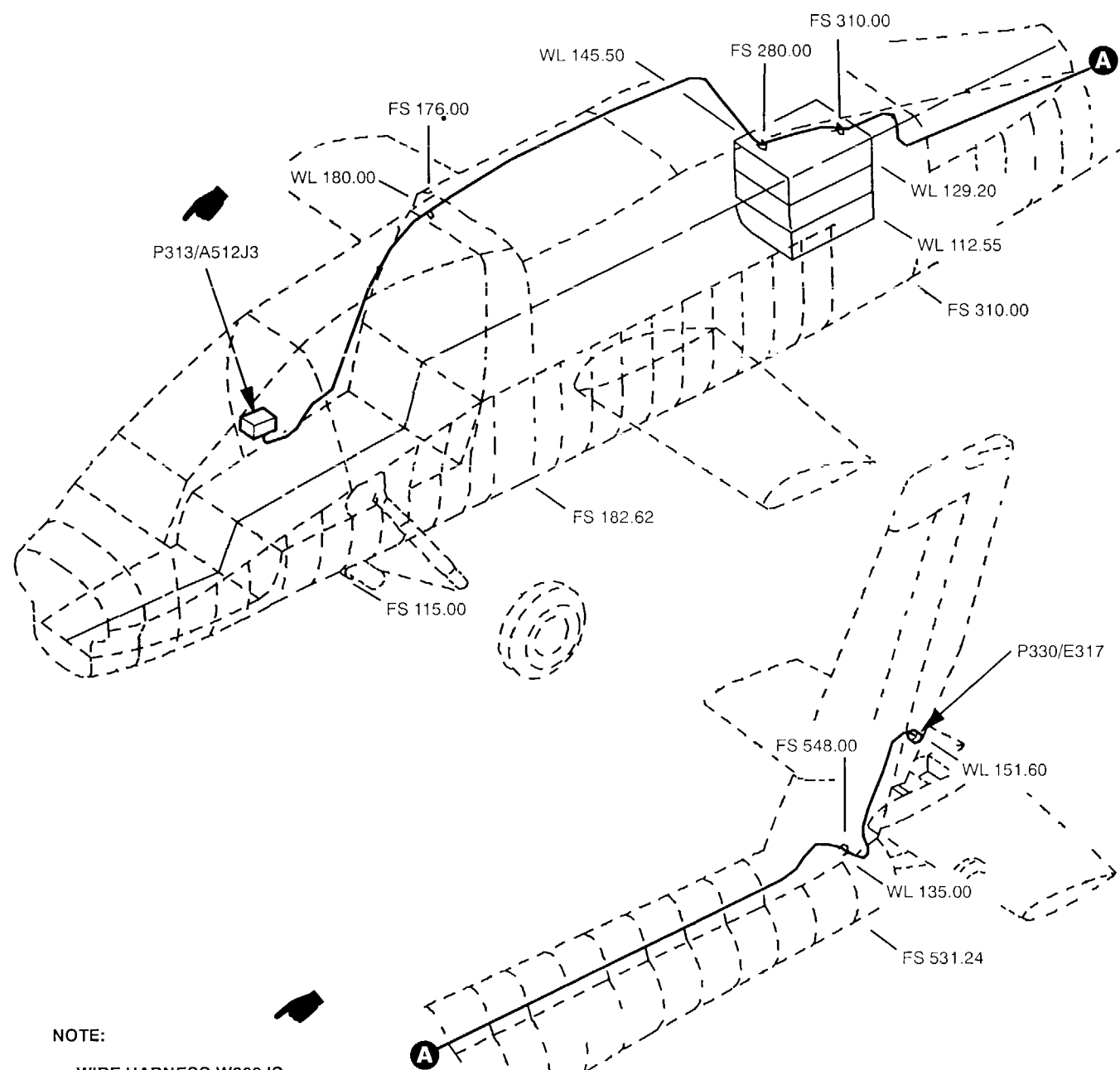
27-51. WIRE HARNESS W207



NOTE:
 WIRE HARNESS W207 EFFECTIVE FOR
 HELICOPTERS SERIAL NO. 82-23355
 THRU 90-0290, 90-0292 THRU 90-0301
 (BEFORE MWO 1-1520-238-50-07).

M50-095A

27-52. WIRE HARNESS W209



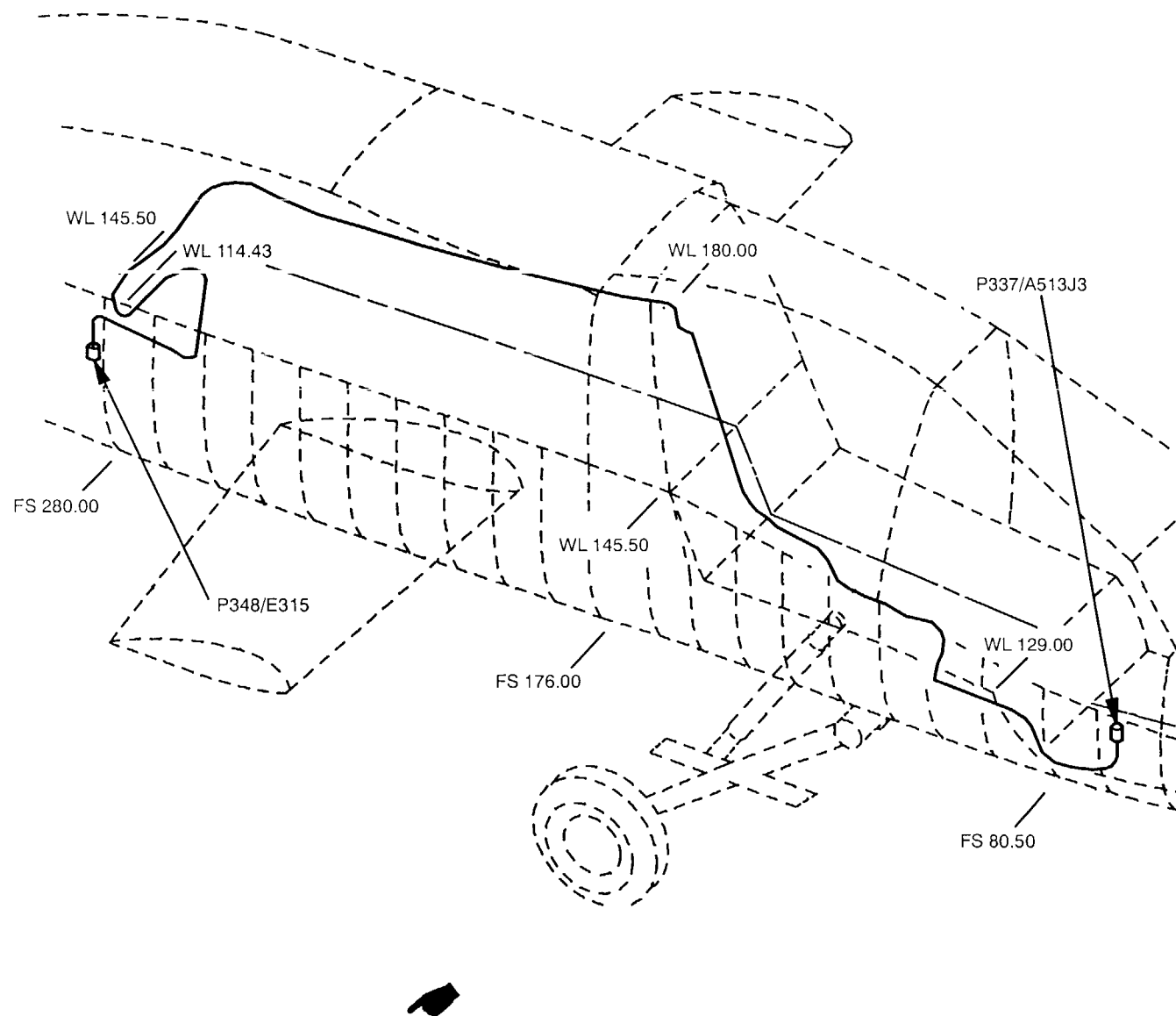
NOTE:

WIRE HARNESS W209 IS INTERCHANGEABLE WITH W173 FOR SERIAL NO. 83-23799 THRU 85-25470. WIRE HARNESS W209 EFFECTIVE FOR HELICOPTERS SERIAL NO. 85-25471 THRU 90-0448 (BEFORE MWO 1-1520-238-50-37).

M50-037B

27-53. WIRE HARNESS W210

27-52/27-53

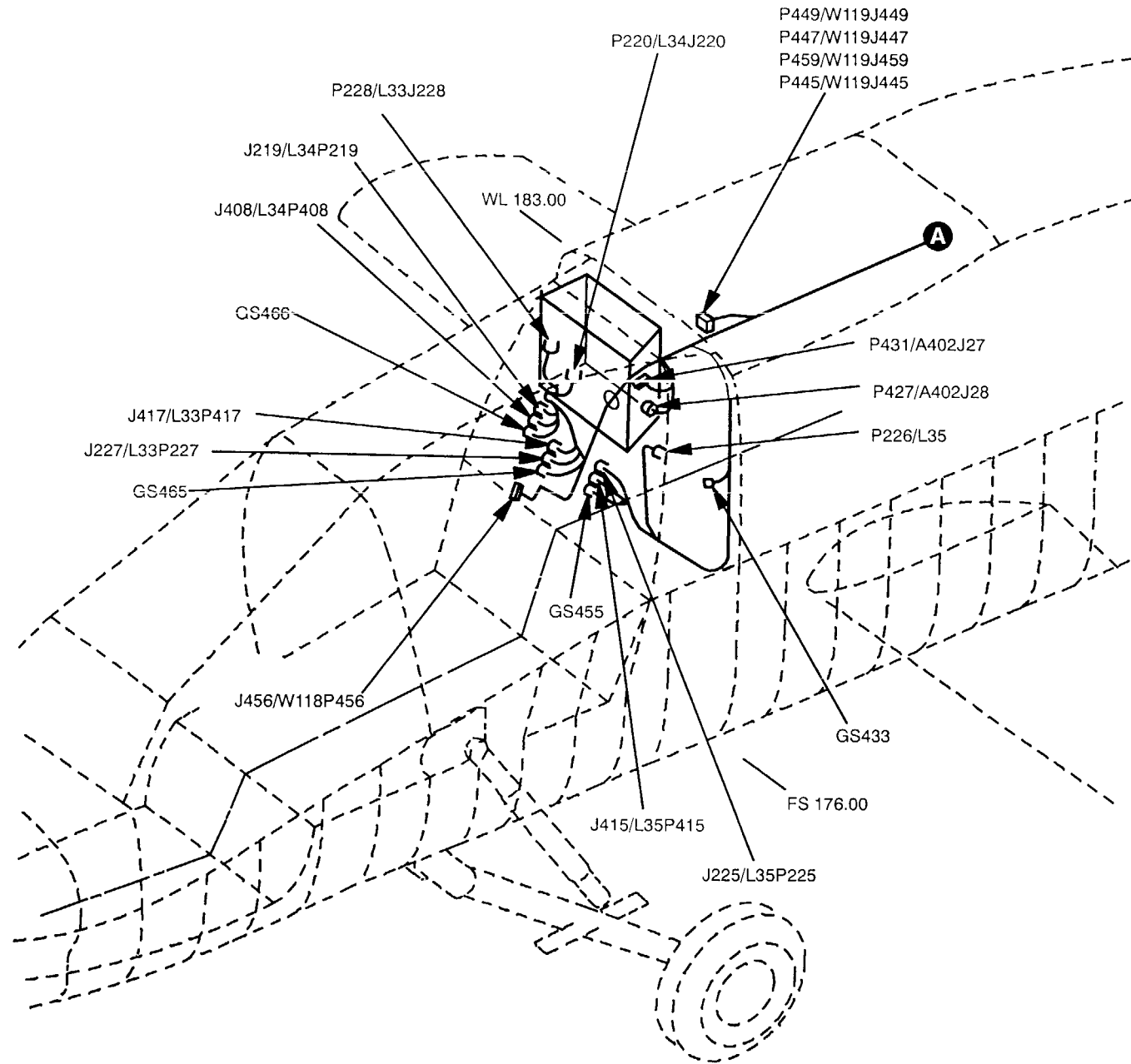


NOTE:

WIRE HARNESS W210 EFFECTIVE FOR HELICOPTERS SERIAL NO. 85-25471 THRU 90-0448 (BEFORE MWO 1-1520-238-50-37).

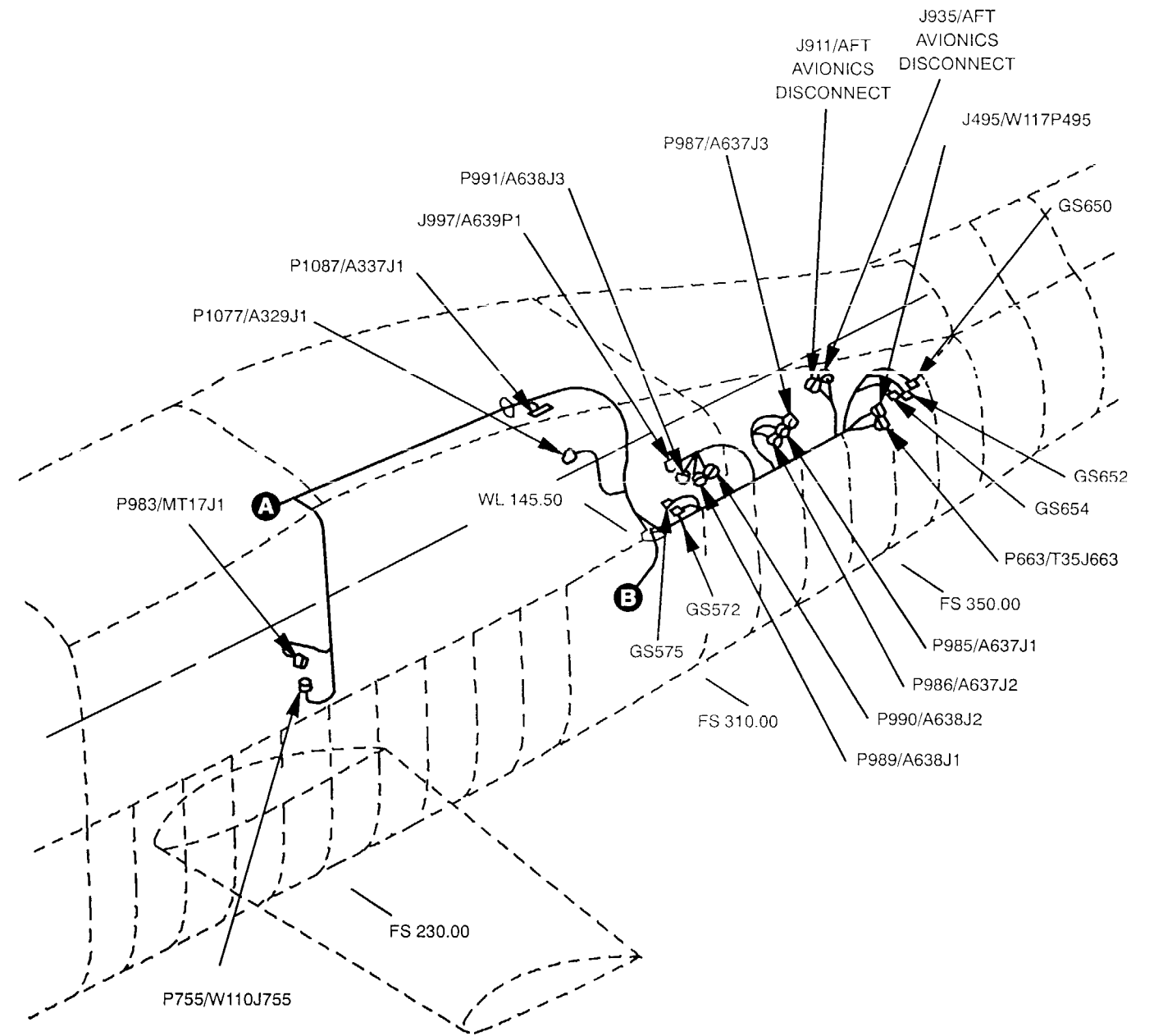
M50-038B

27-54. WIRE HARNESS W211



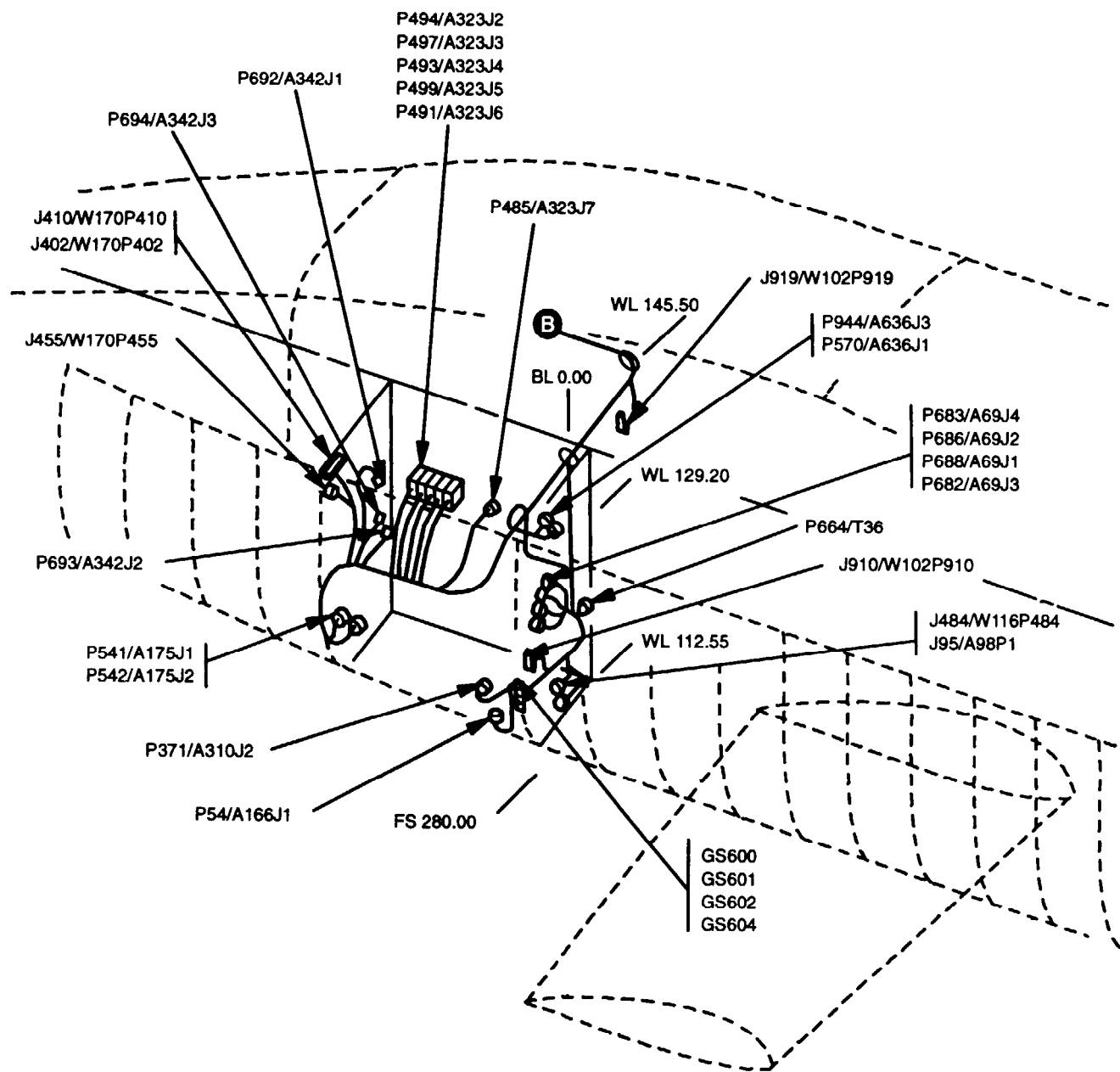
M50-161-1A

27-54. WIRE HARNESS W211 (cont)



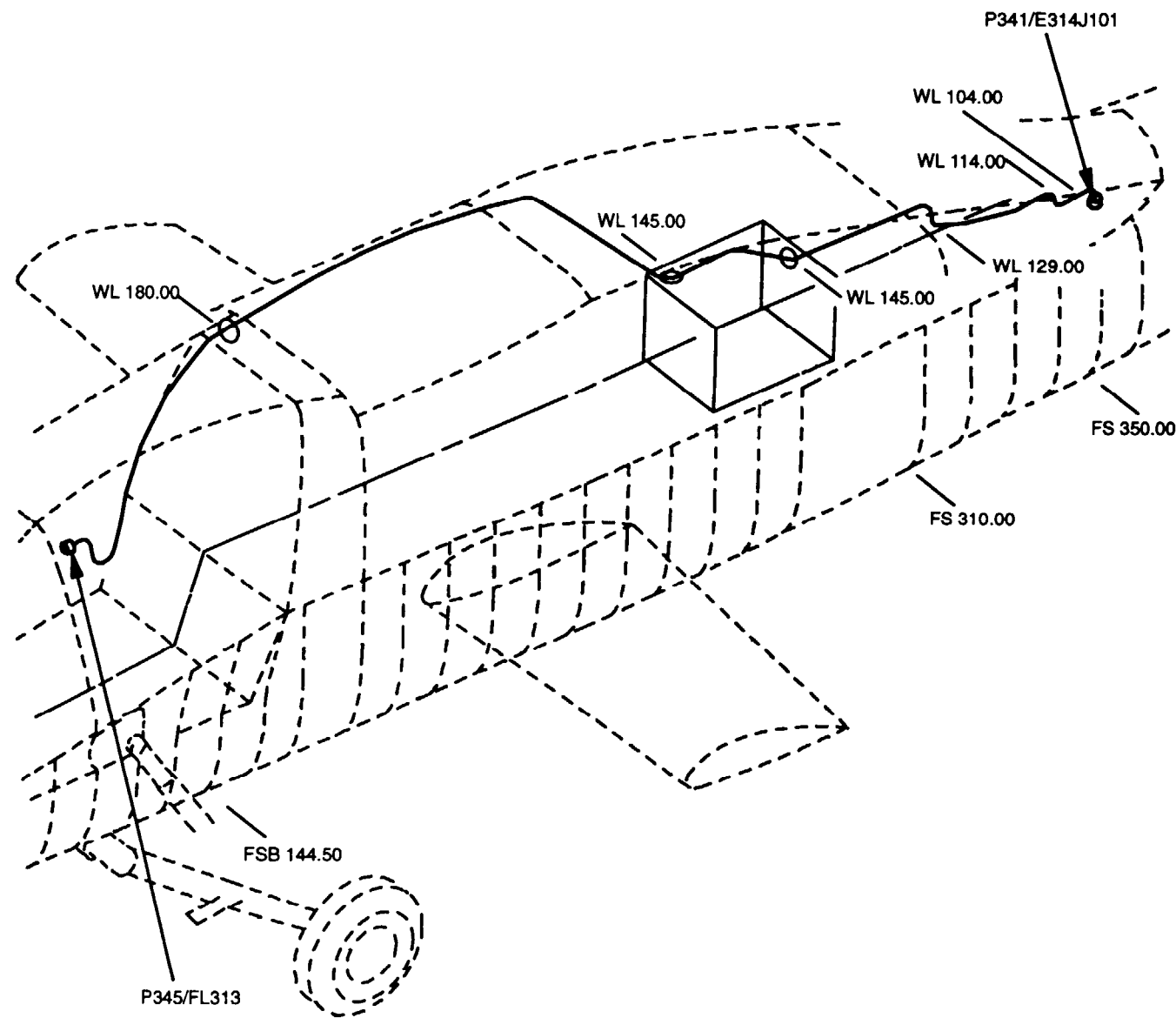
M50-161-2A

27-54. WIRE HARNESS W211

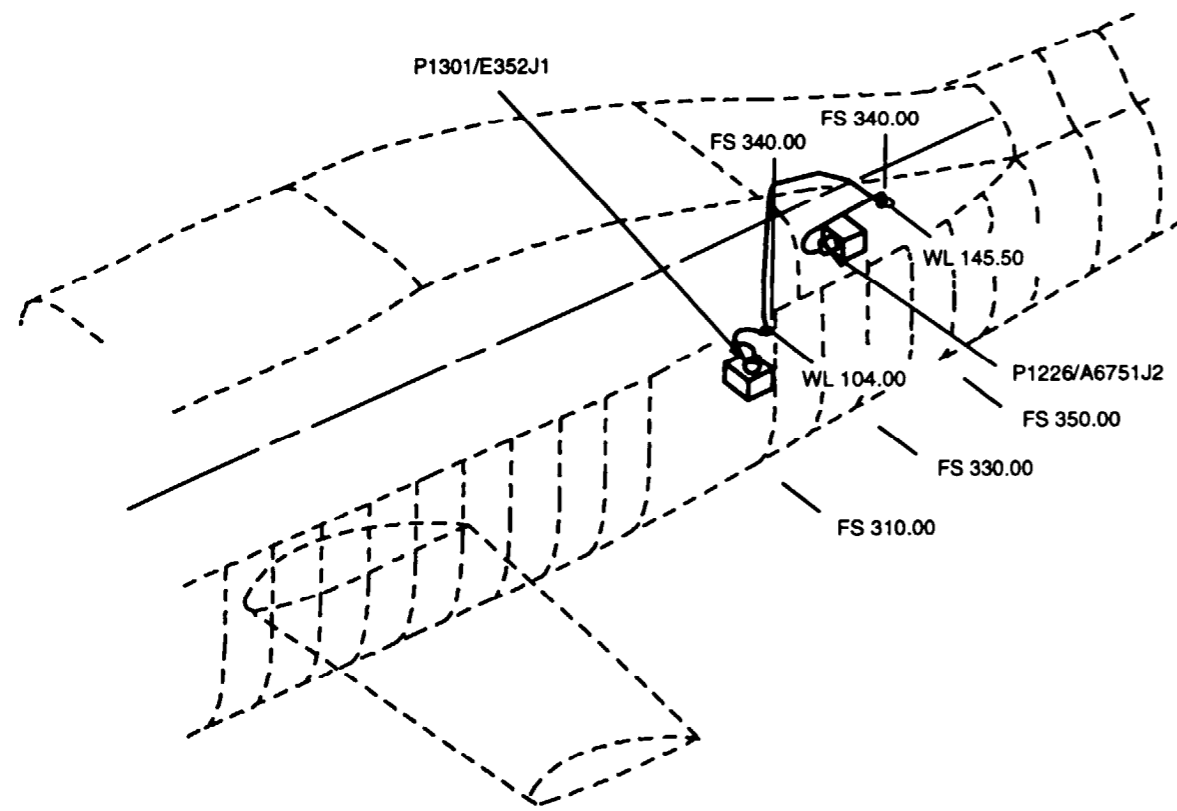


27-55. WIRE HARNESS W212

27-54/27-55



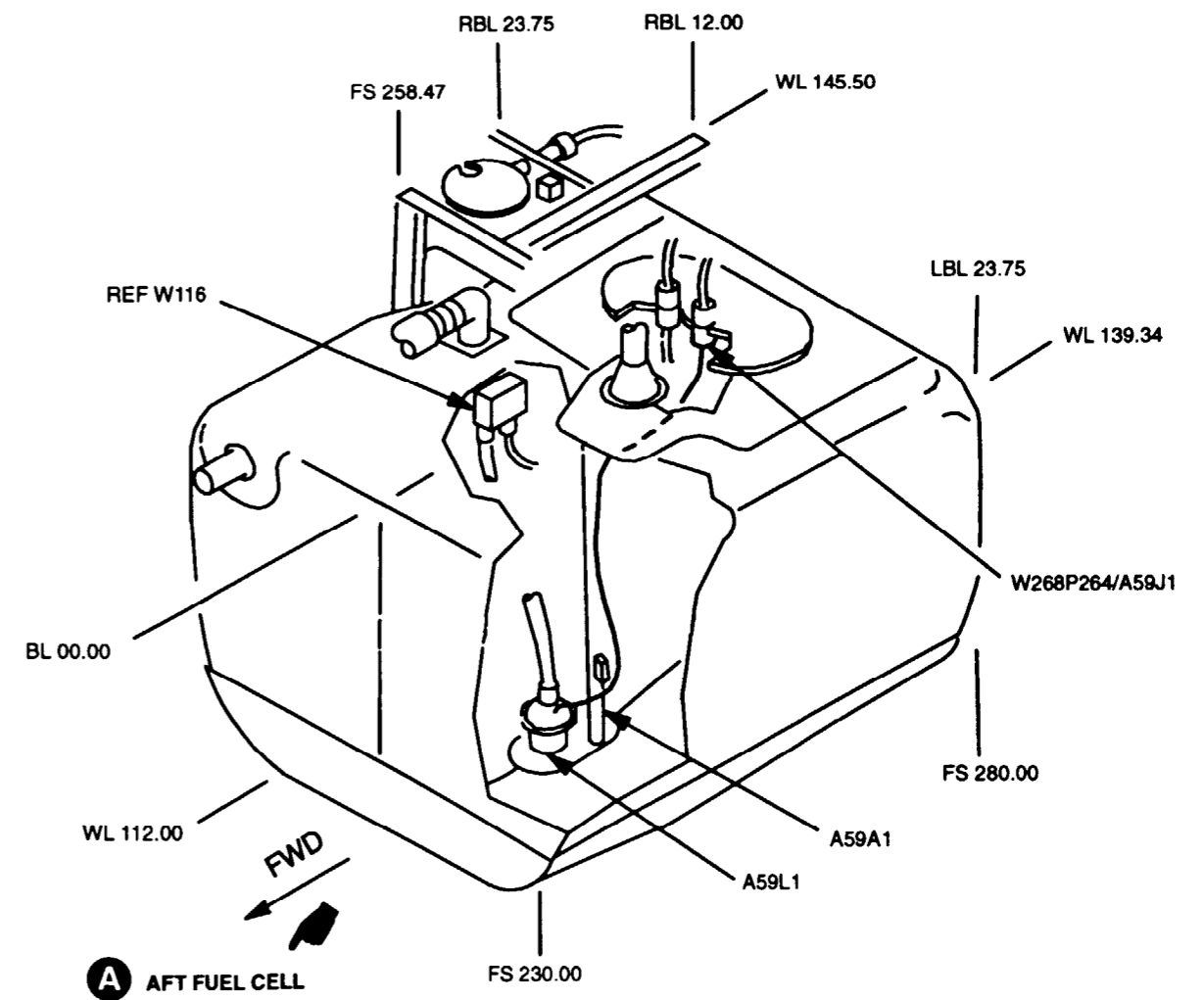
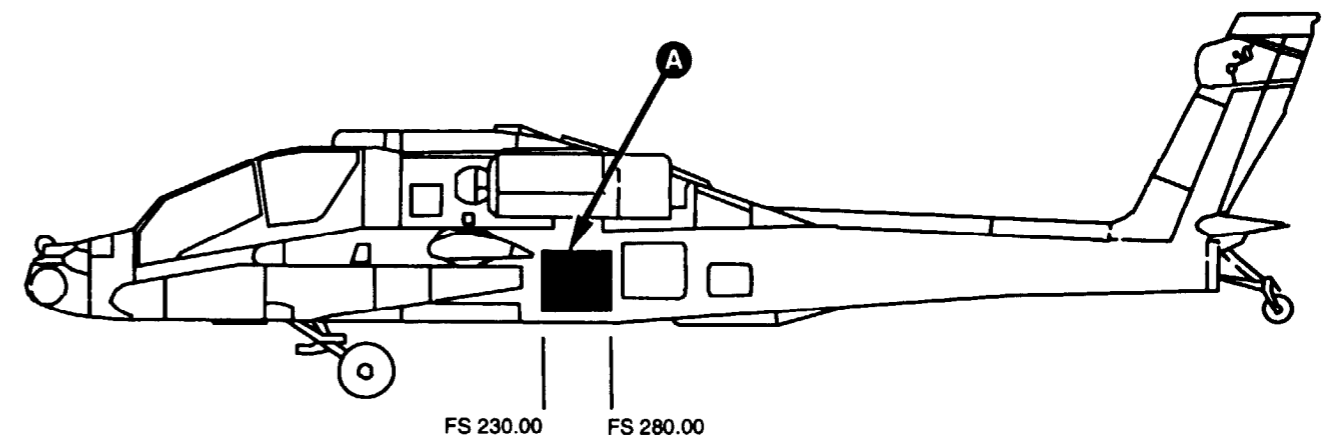
27-56. WIRE HARNESS W213



NOTE:
EFFECTIVE FOR HELICOPTERS
SERIAL NO. 86-8940 AND SUBSEQUENT.

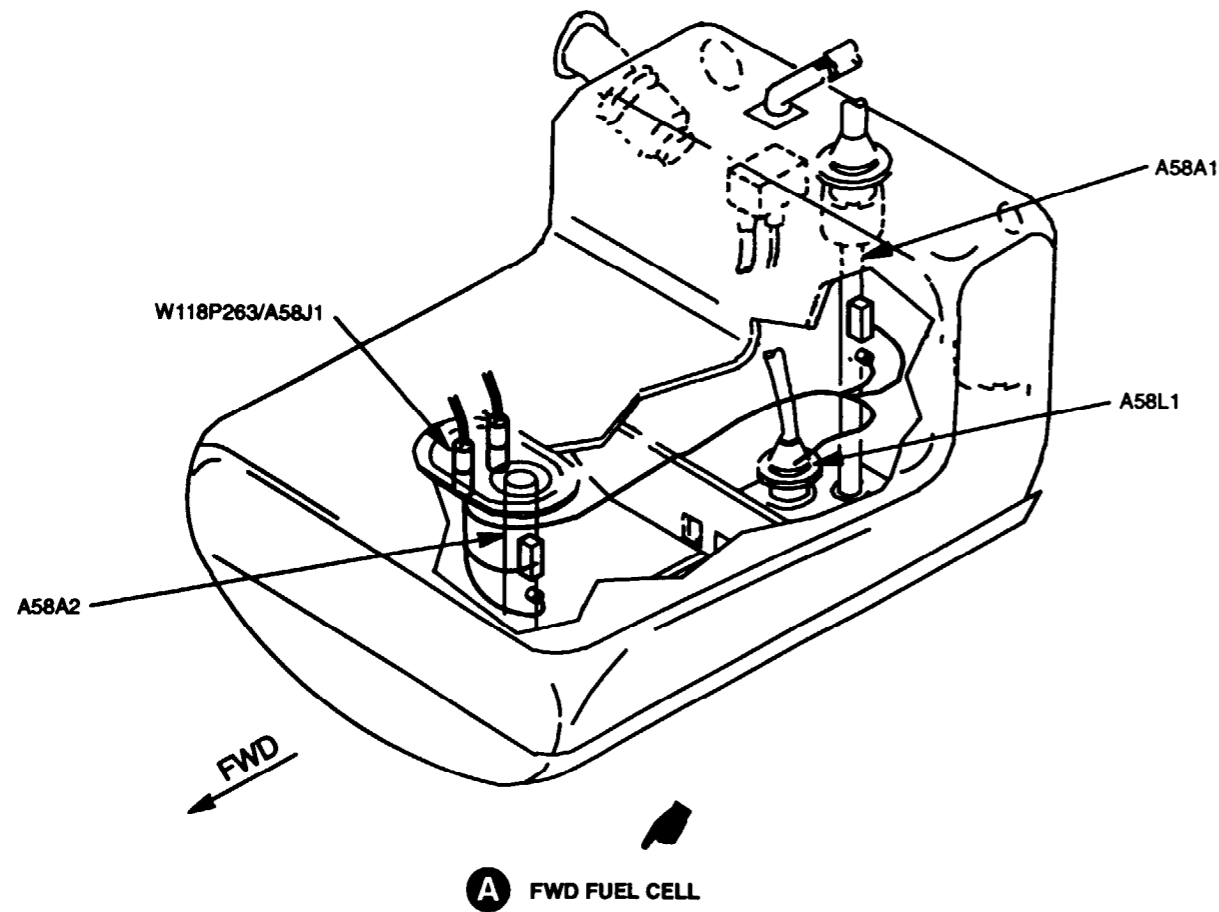
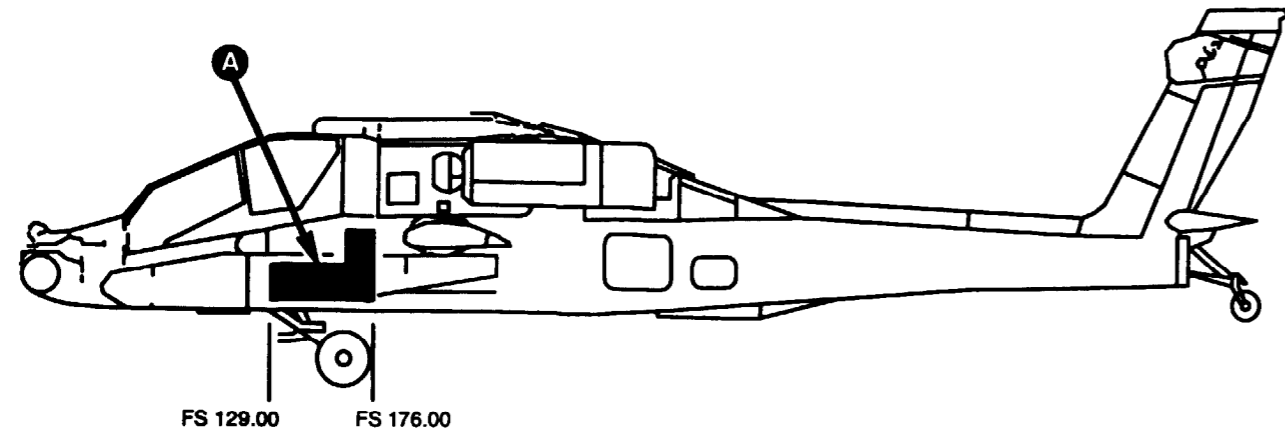
M50-079

27-57. WIRE HARNESS W214



M50-105A

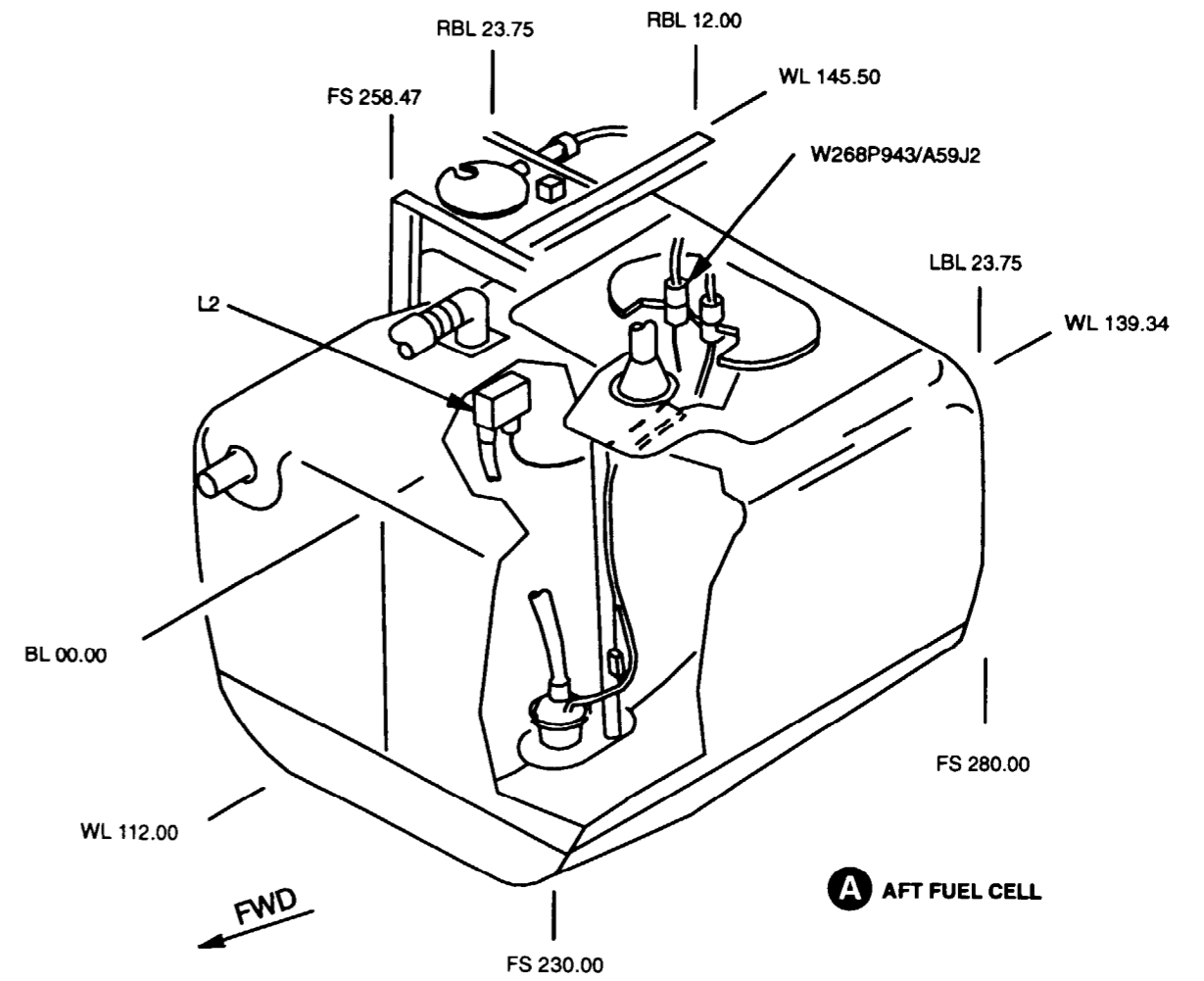
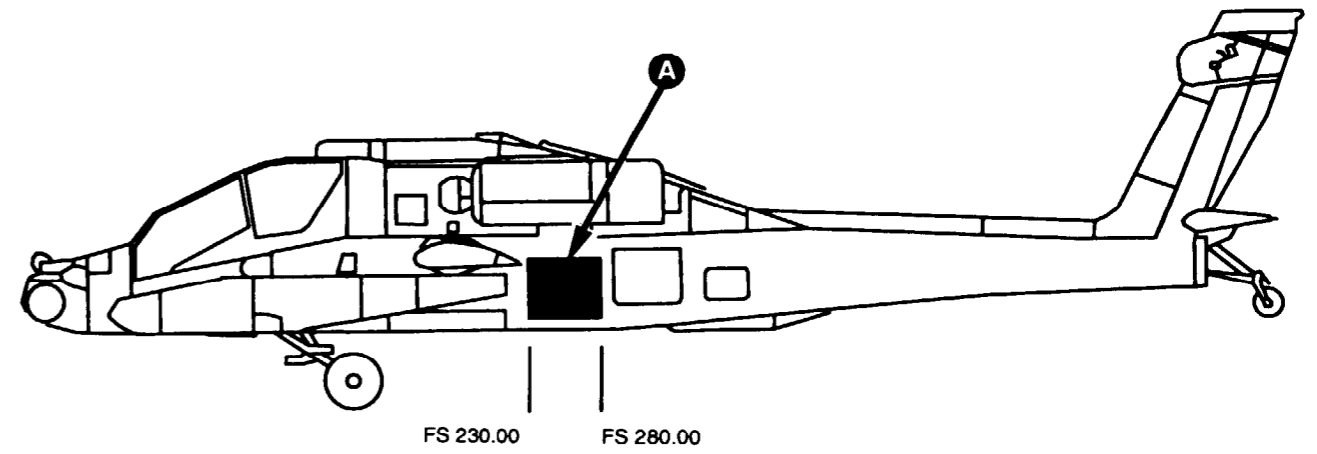
27-68. WIRE HARNESS W215



M50-074A

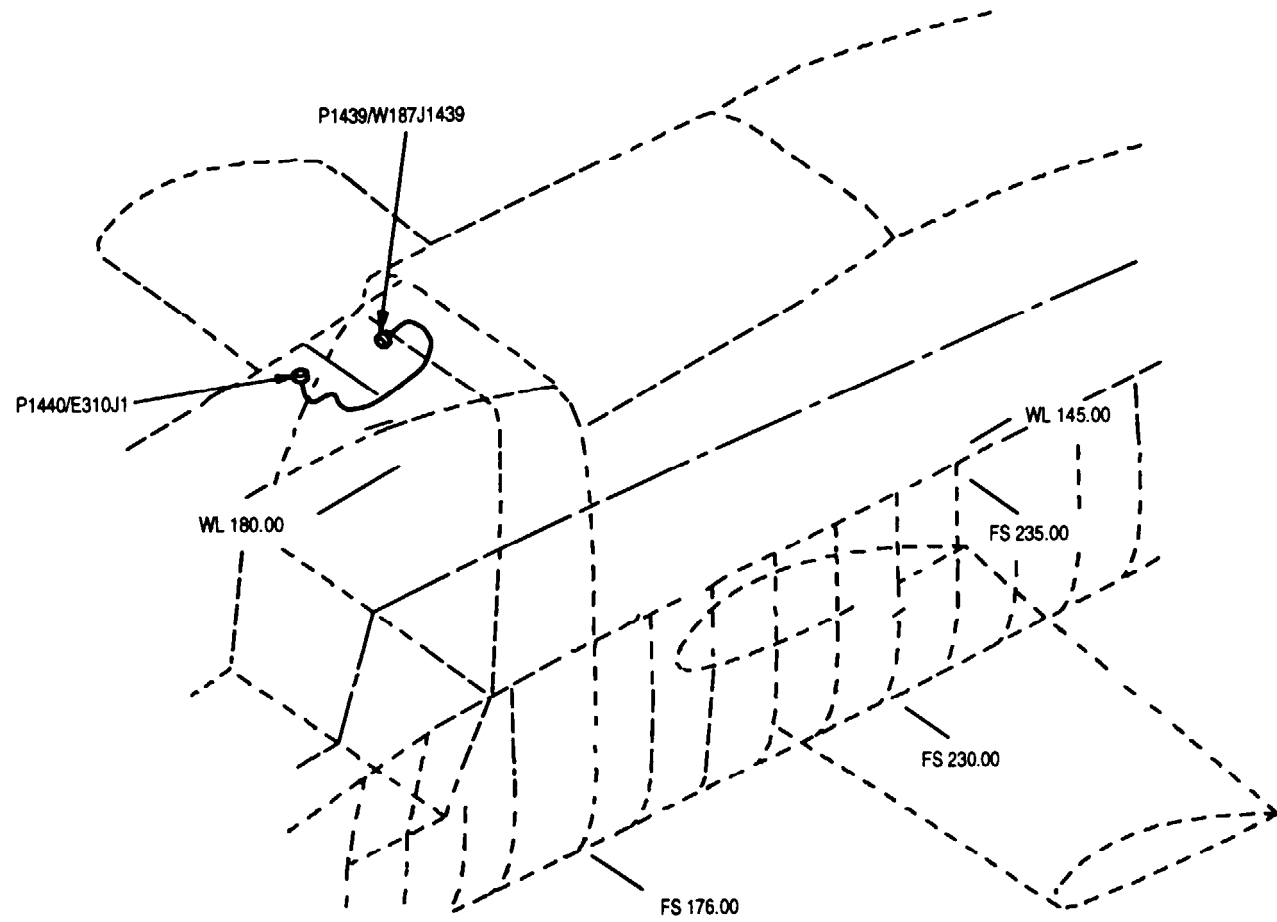
27-69. WIRE HARNESS W216

27-58/27-59



M50-162

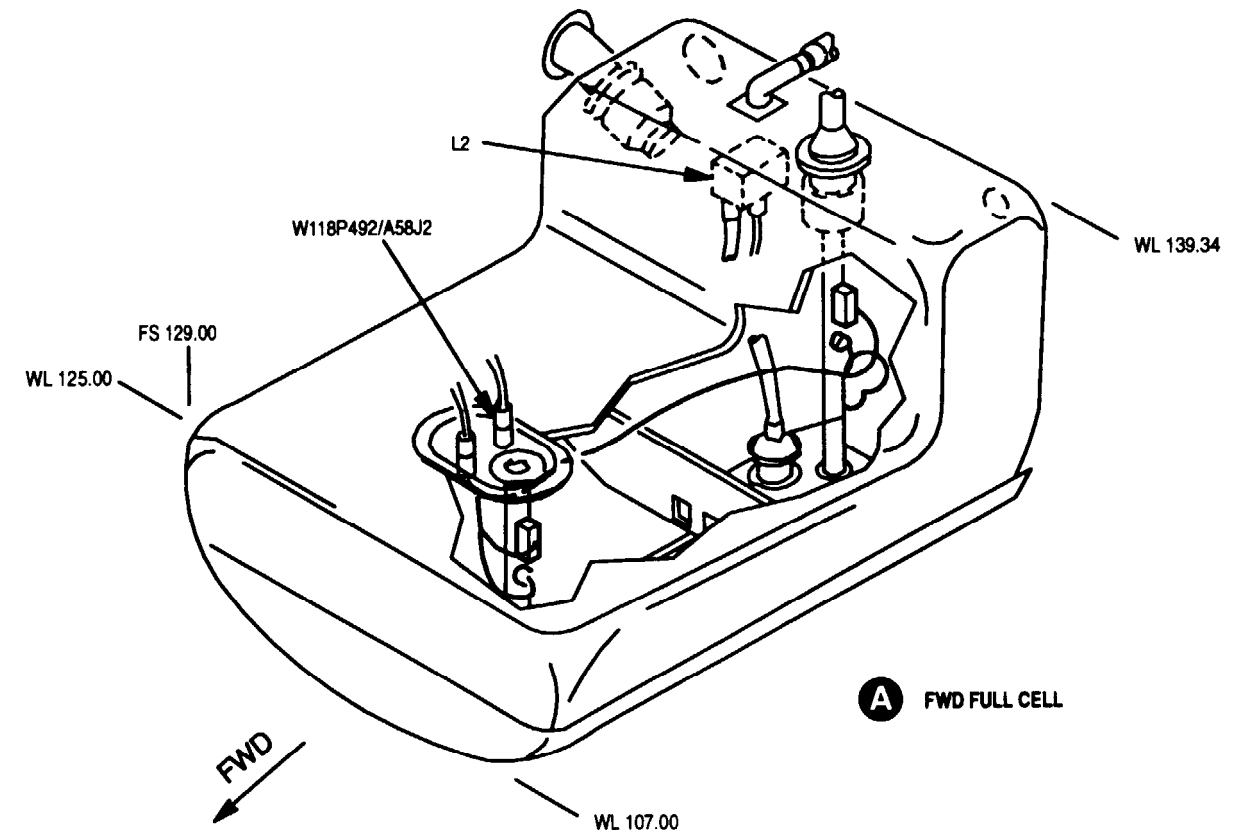
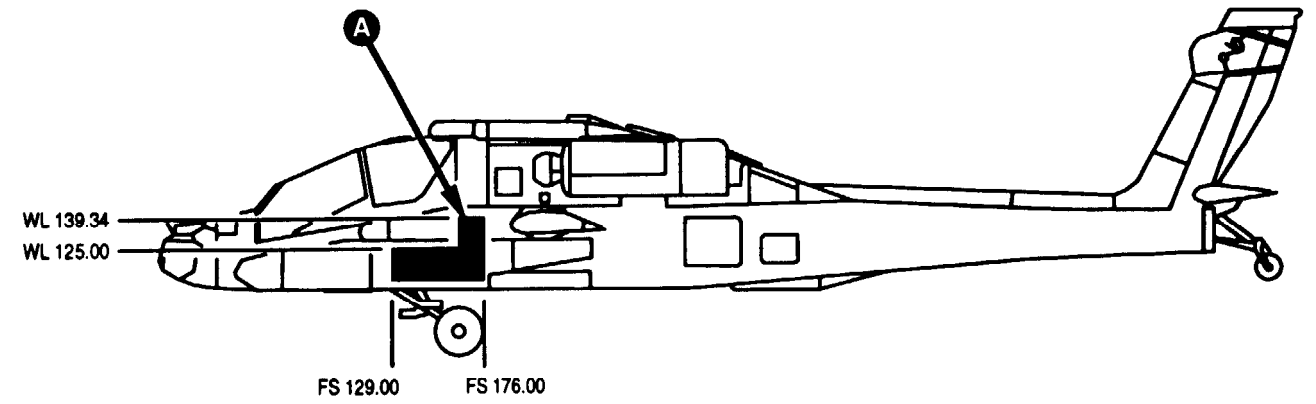
27-59. WIRE HARNESS W216 (cont)



NOTE:
 WIRE HARNESS W216 EFFECTIVE FOR HELICOPTERS
 SERIAL NO. 90-0449 AND SUBSEQUENT (AFTER
 MWO 1-1520-238-50-36).

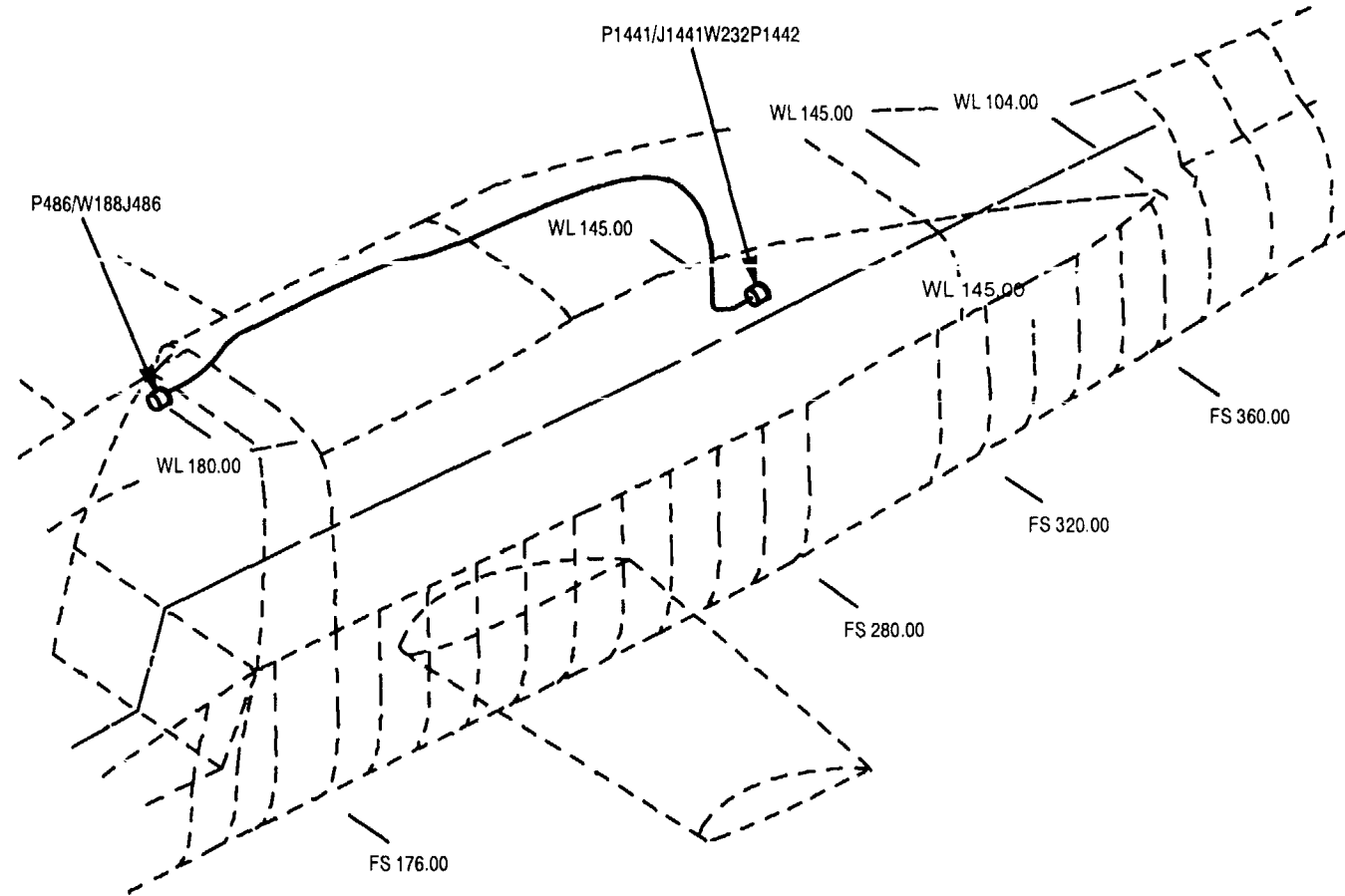
M50-269

27-60. WIRE HARNESS W217



M50-163

27-60.1. WIRE HARNESS W218



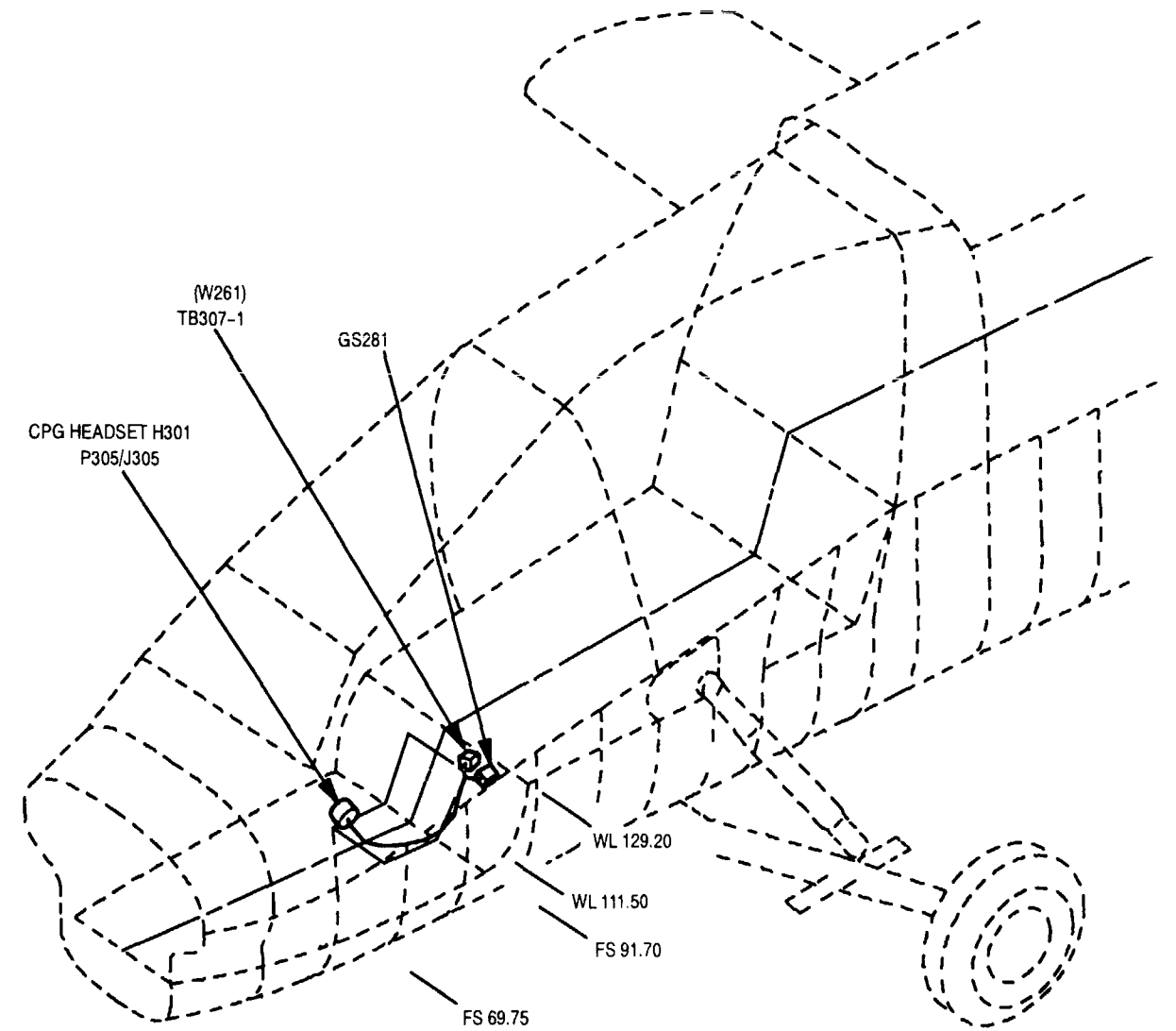
NOTE:

WIRE HARNESS W218 EFFECTIVE FOR HELICOPTERS SERIAL NO. 90-0449 AND SUBSEQUENT (AFTER MWO 1-1520-238-50-36).

M50-270

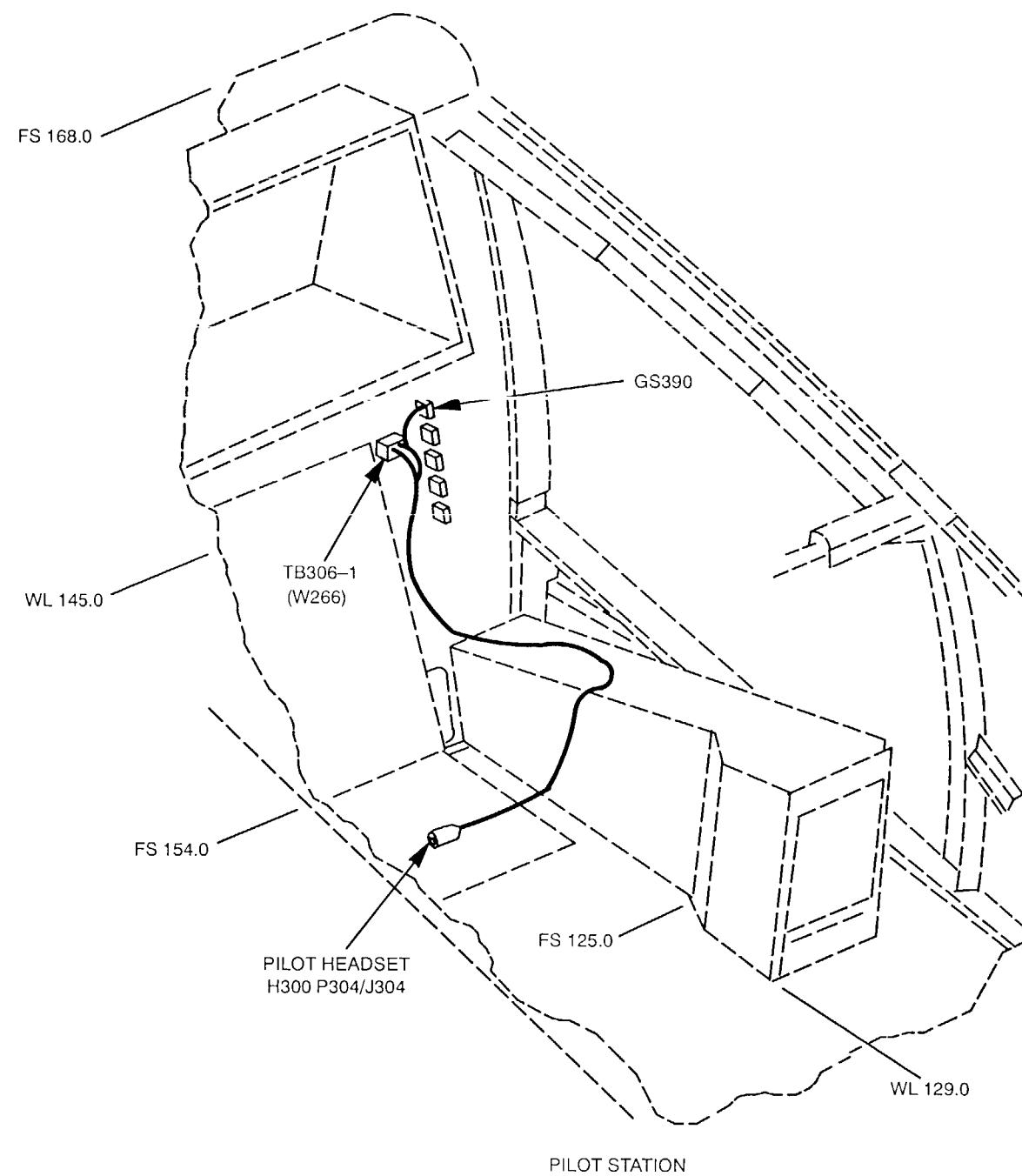
27-61. WIRE HARNESS W219

27-60/27-61



M50-107

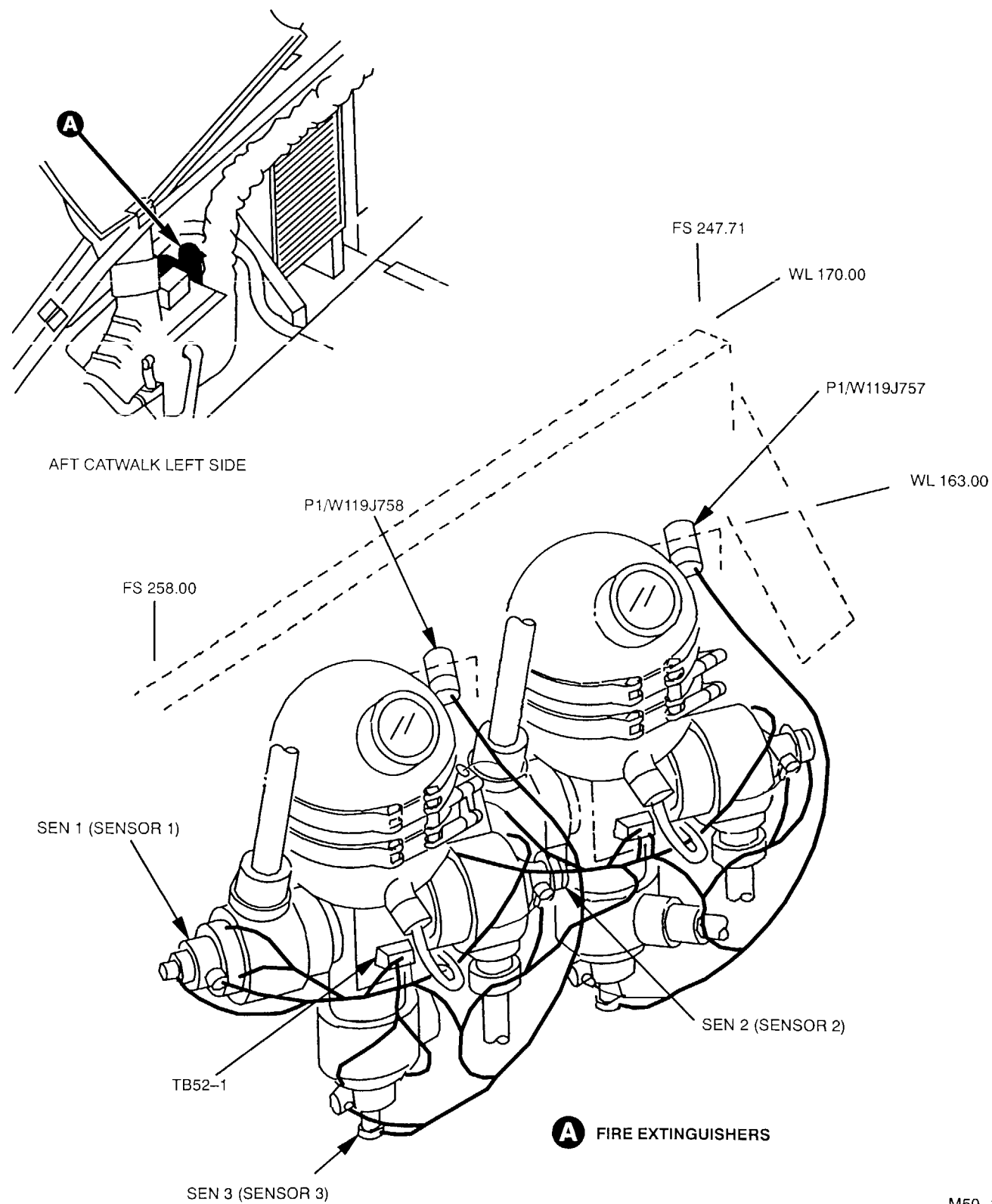
27-62. WIRE HARNESS W220



M50-109A

27-63. WIRE HARNESS W221

27-62/27-63

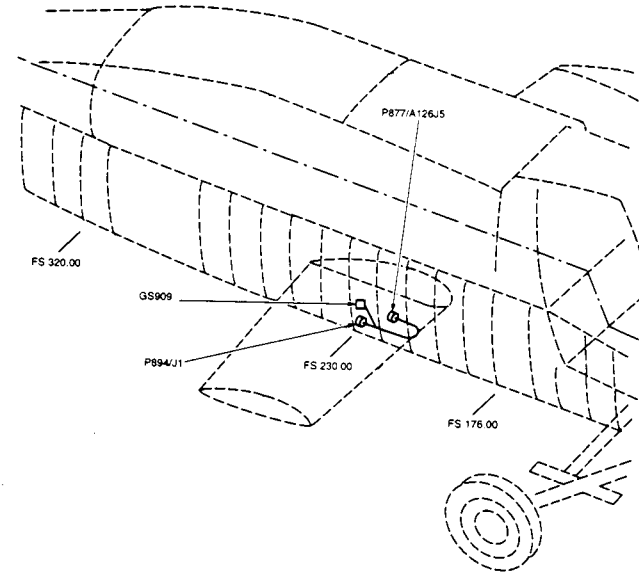
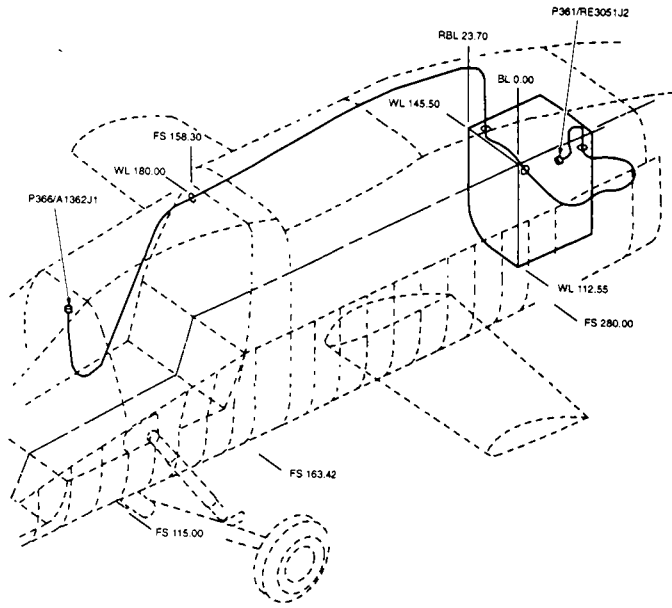


M50-119

27-64. WIRE HARNESS W224

274.1. WIRE HARNESS W226

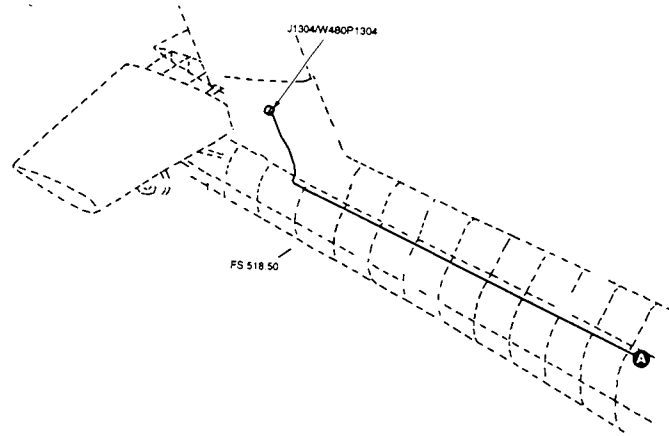
27-64/2-64.1



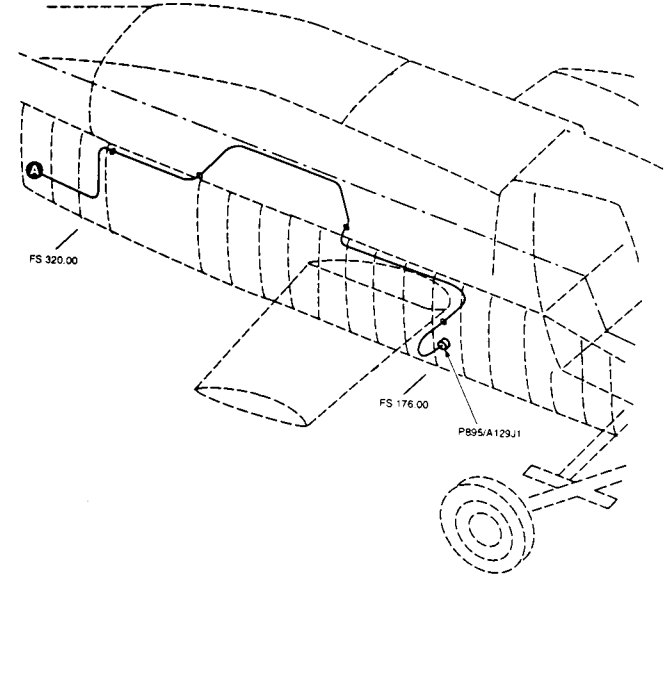
M50-121

M50-275-1

27-44 Change 5



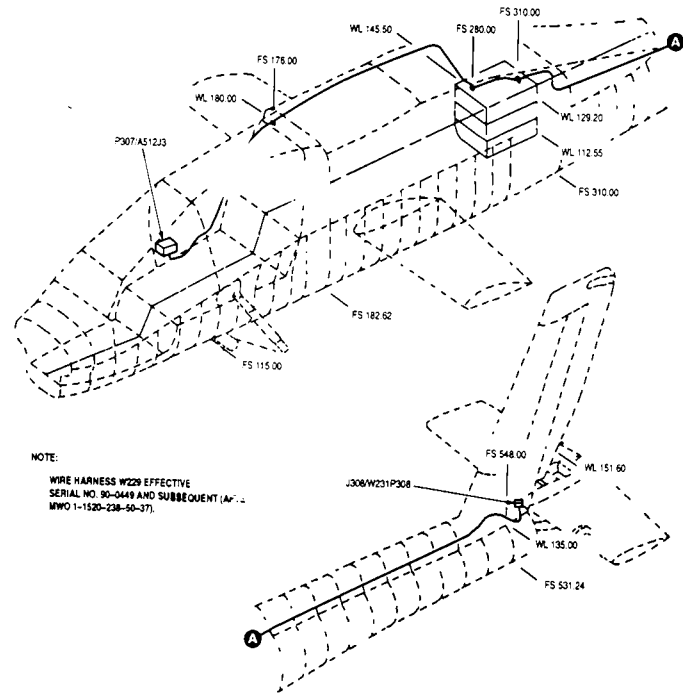
M50-276-2



M50-276-1

Change 5 27-44.1

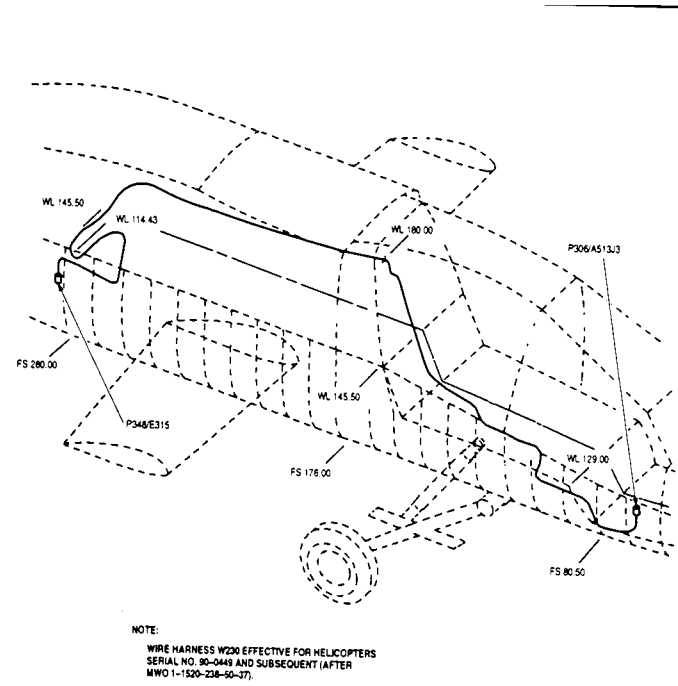
27-64.3. WIRE HARNESS W229



M50-266

27-44.2 Change 5

2764.4. WIRE HARNESS W230

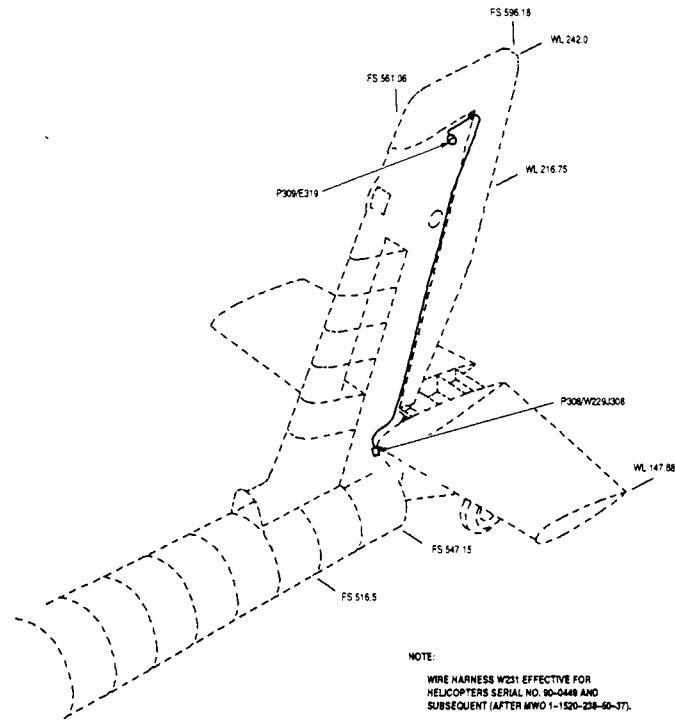


M50-268

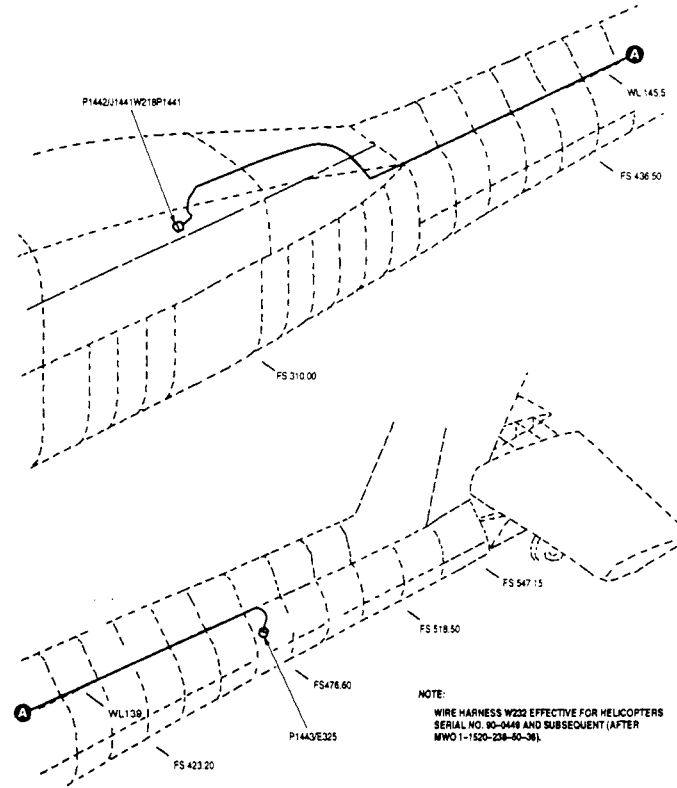
27-64.5.WIRE HARNESS W231

27-64.6.WIRE HARNESS W232

27-64.5/27-64.6

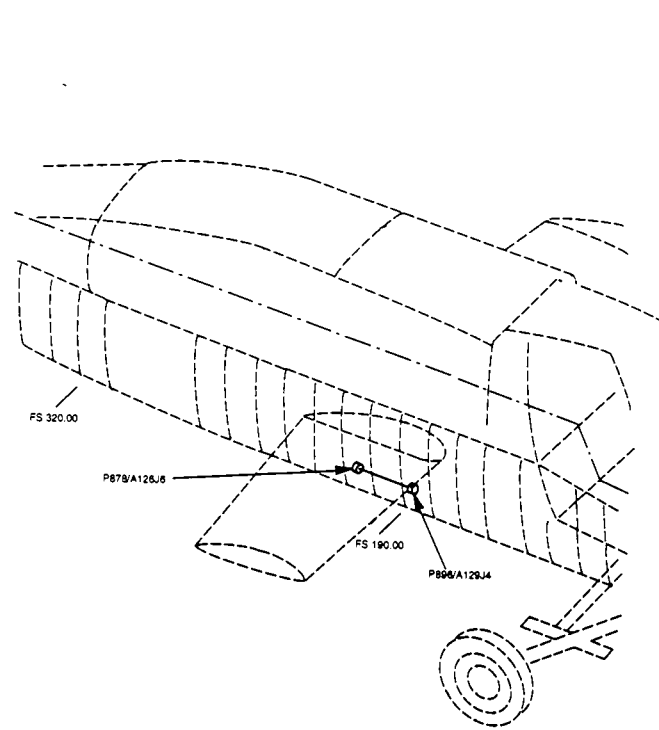


M50-267

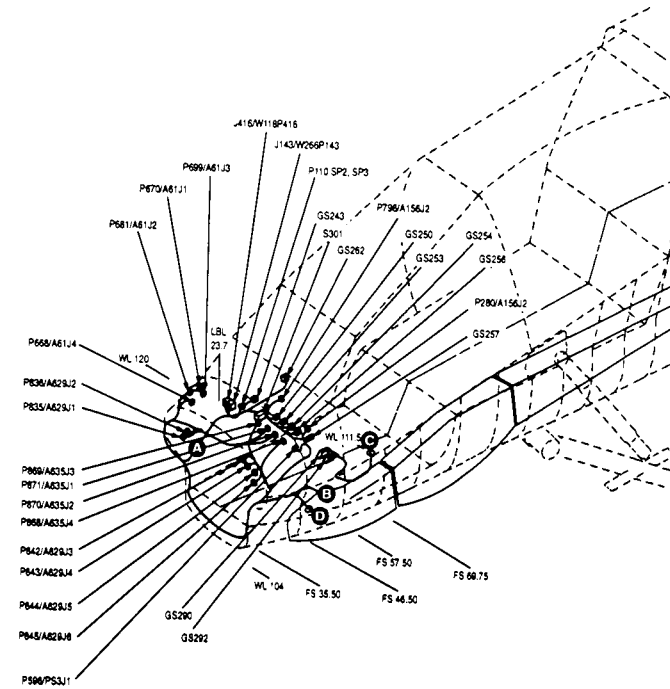


M50-271

Change 5 27-44.3

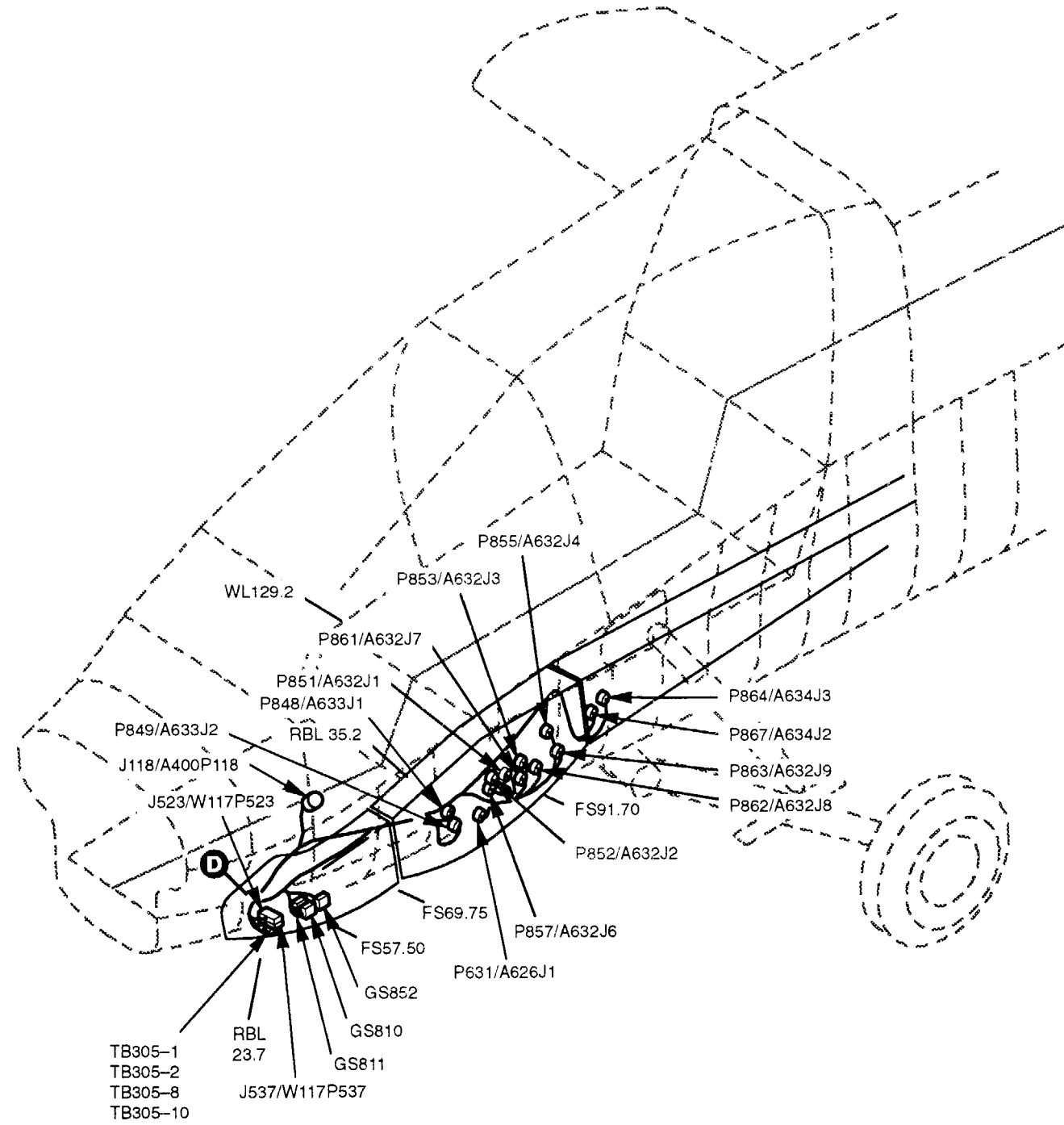


M50-277-1



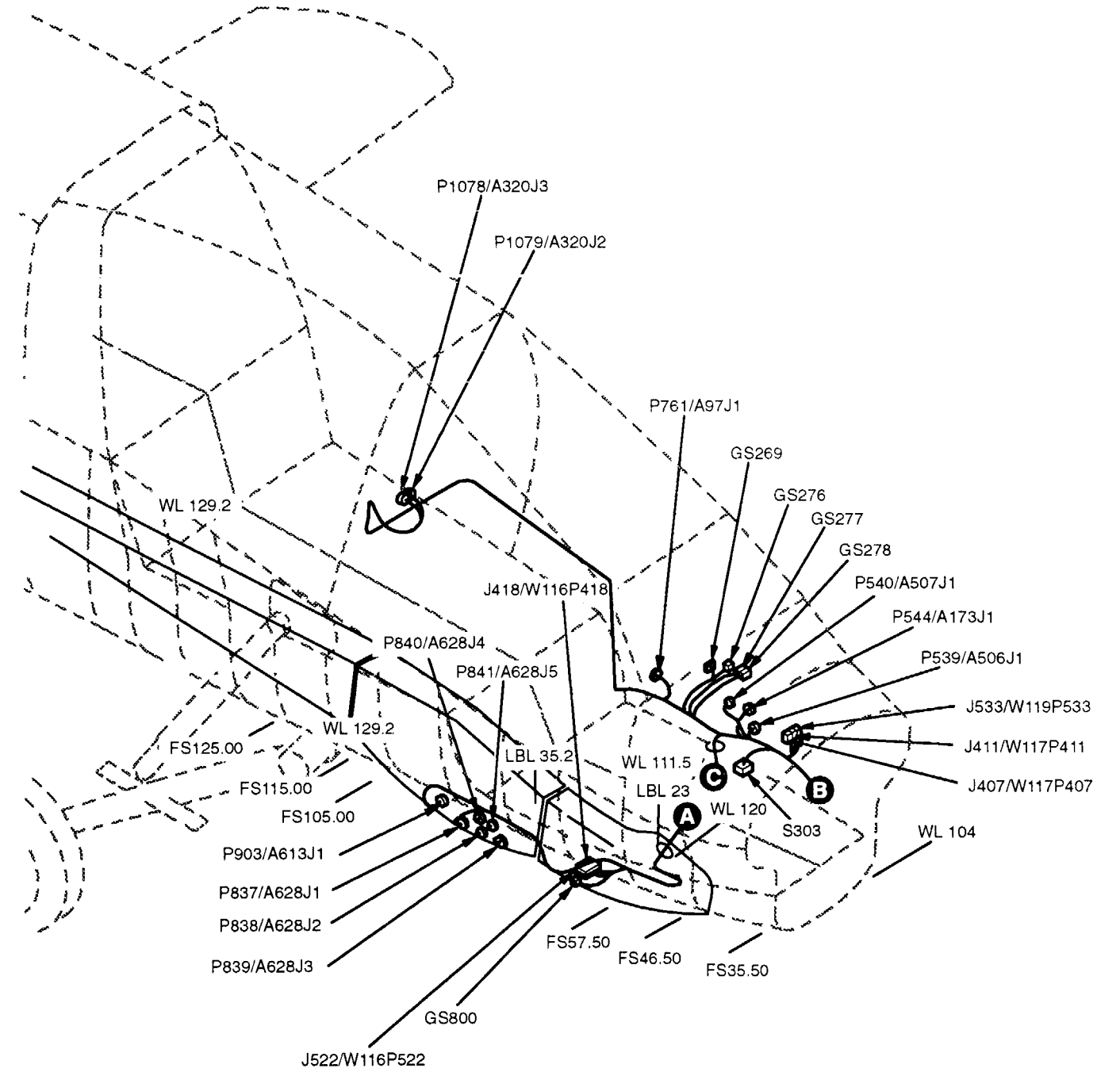
M50-164-1B

27-65. WIRE HARNESS W255 (cont)



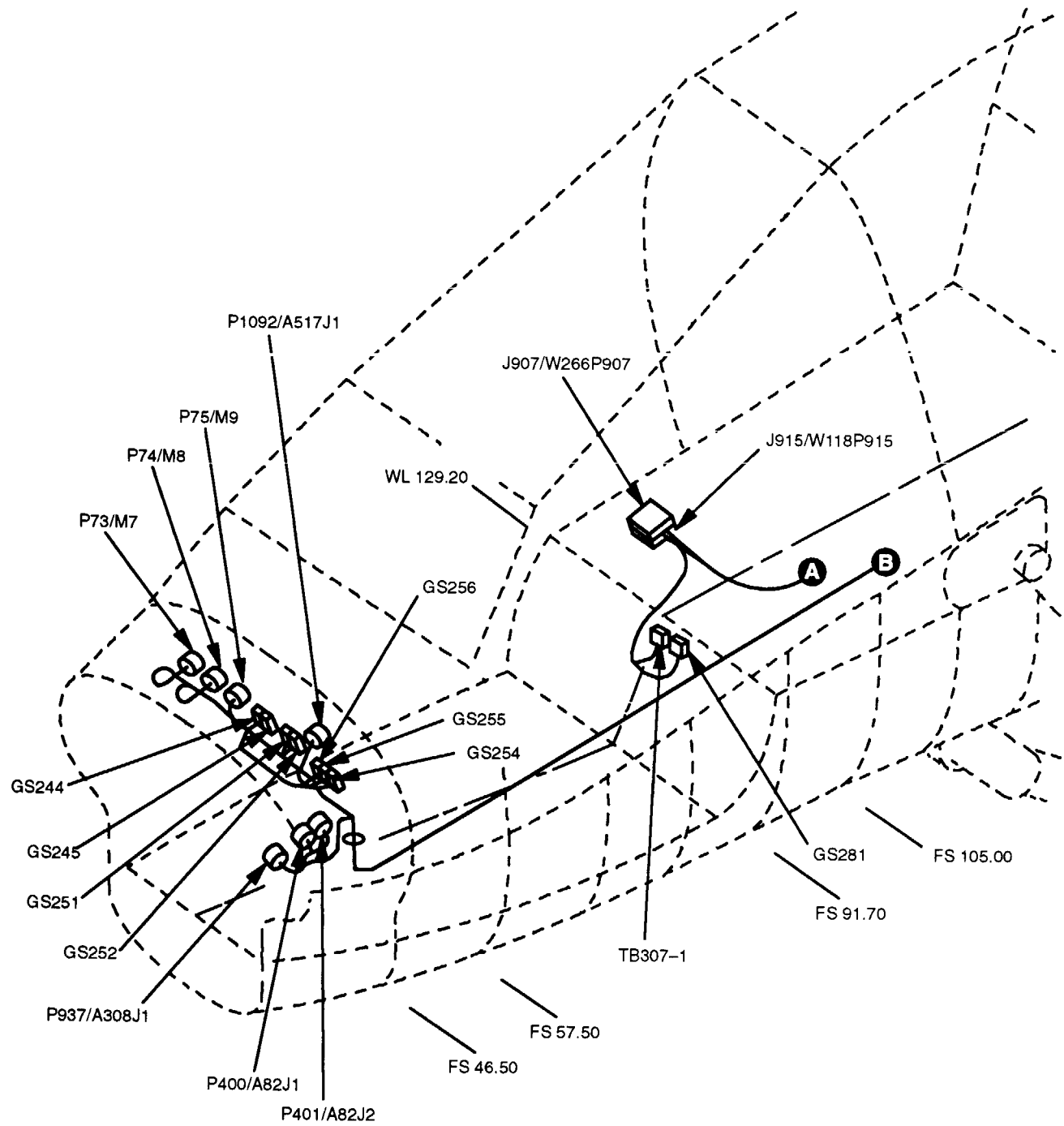
M50-164-2B

27-65. WIRE HARNESS W255 (cont)



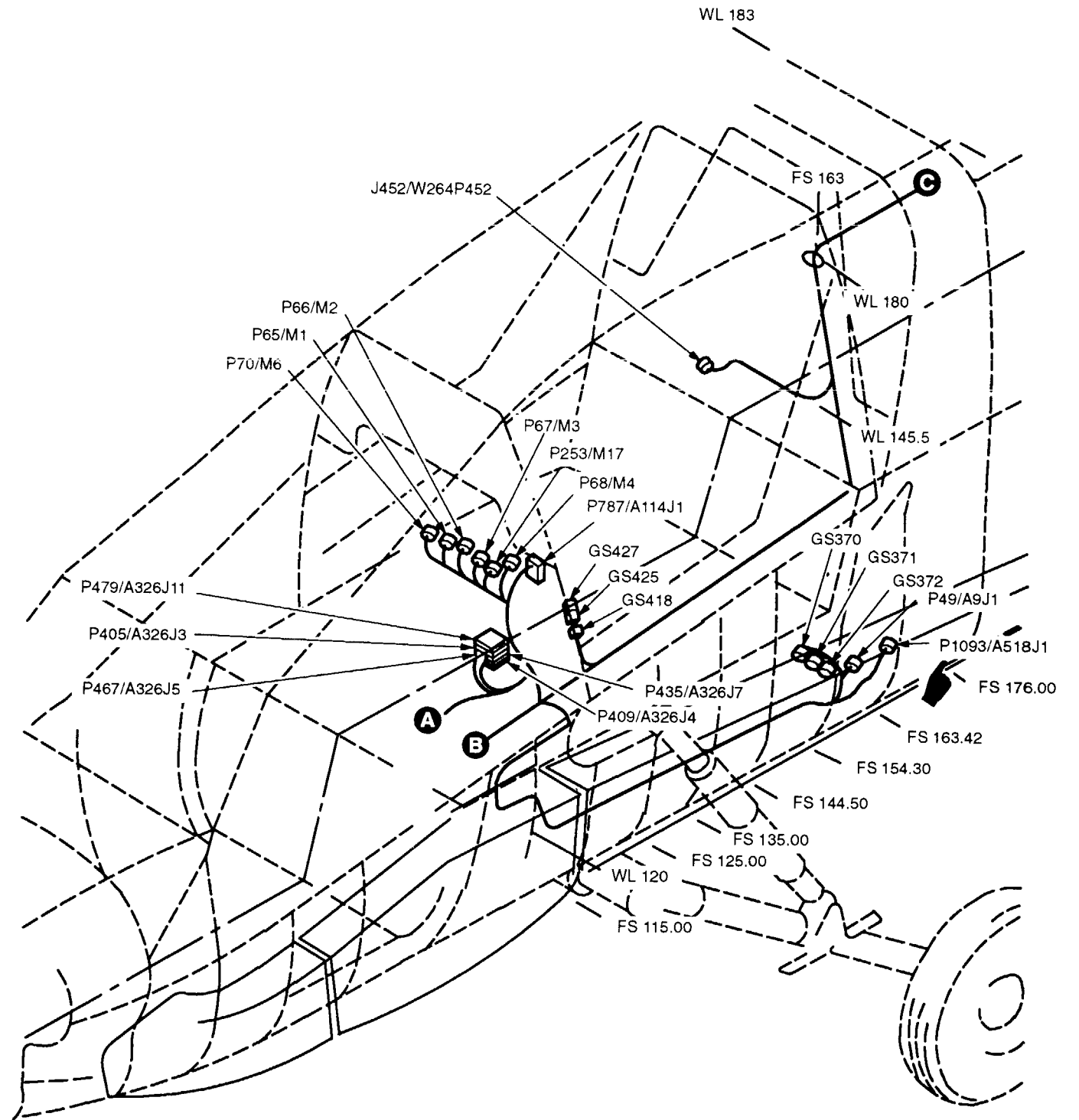
M50-164-3B

27-66. WIRE HARNESS W261



M50-129-1A

27-66. WIRE HARNESS W261 (cont)

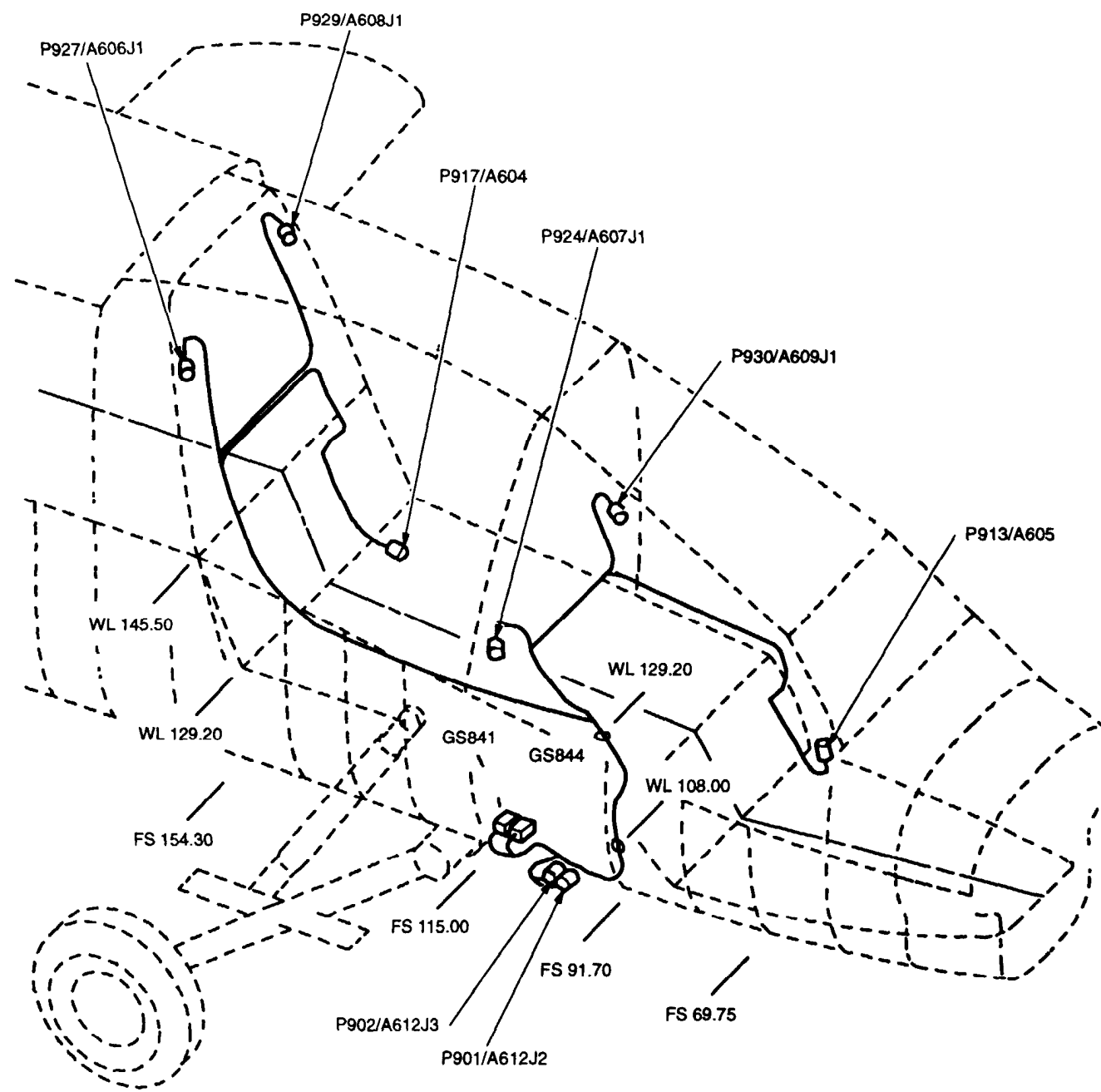
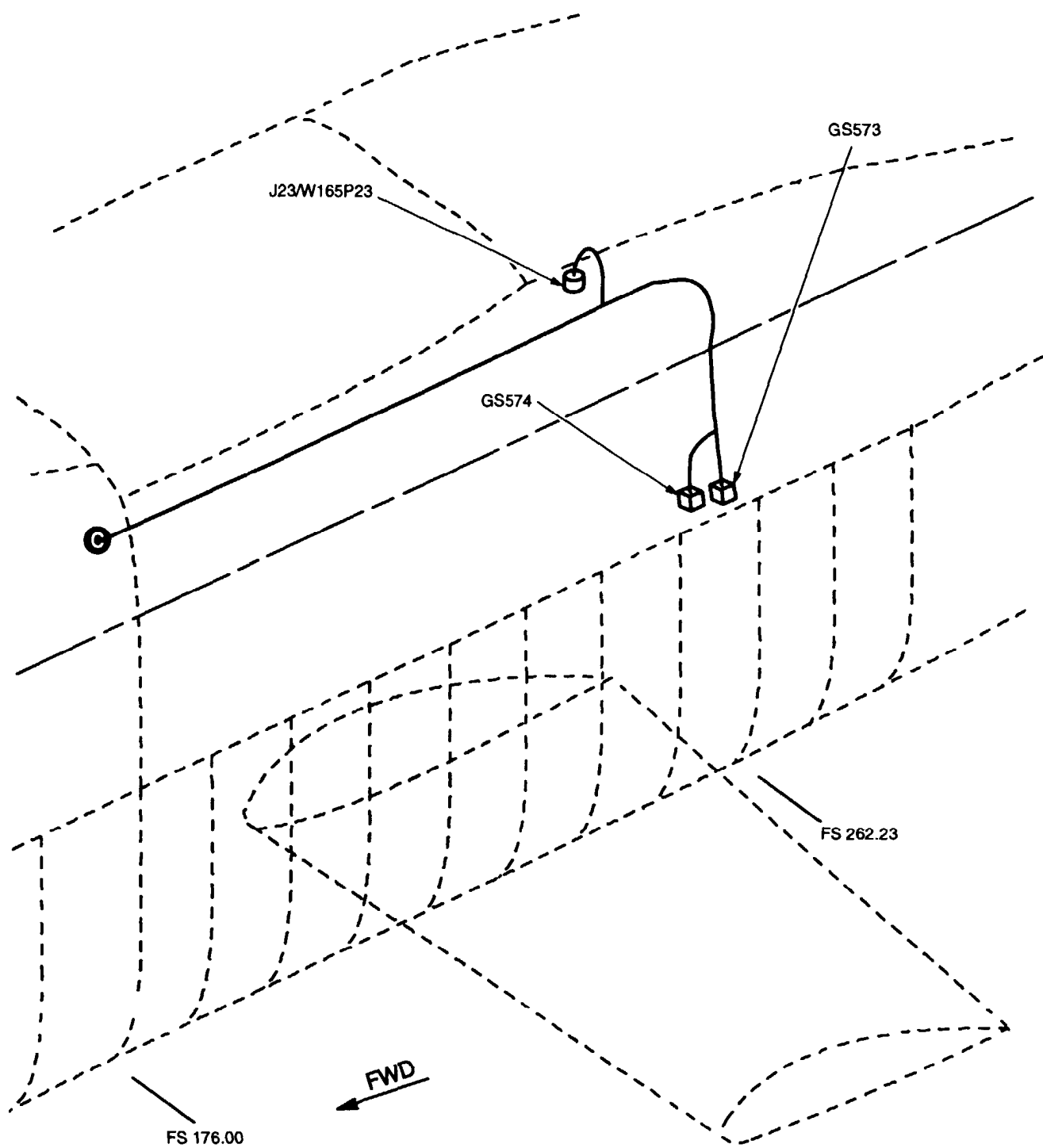


M50-129-2C

27-66. WIRE HARNESS W261 (cont)

27-67. WIRE HARNESS W262

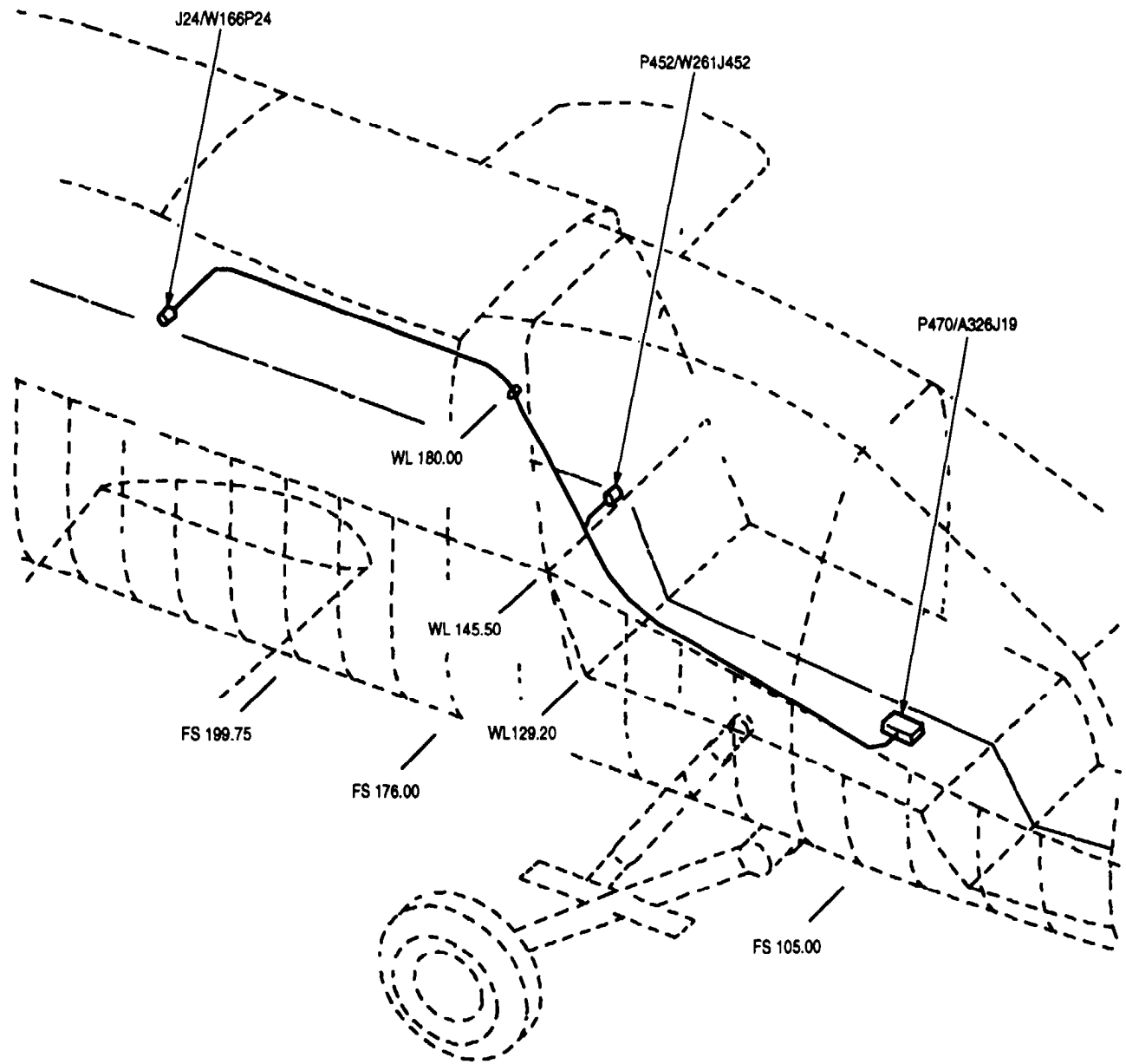
27-66/27-67



M50-129-3A

M50-131

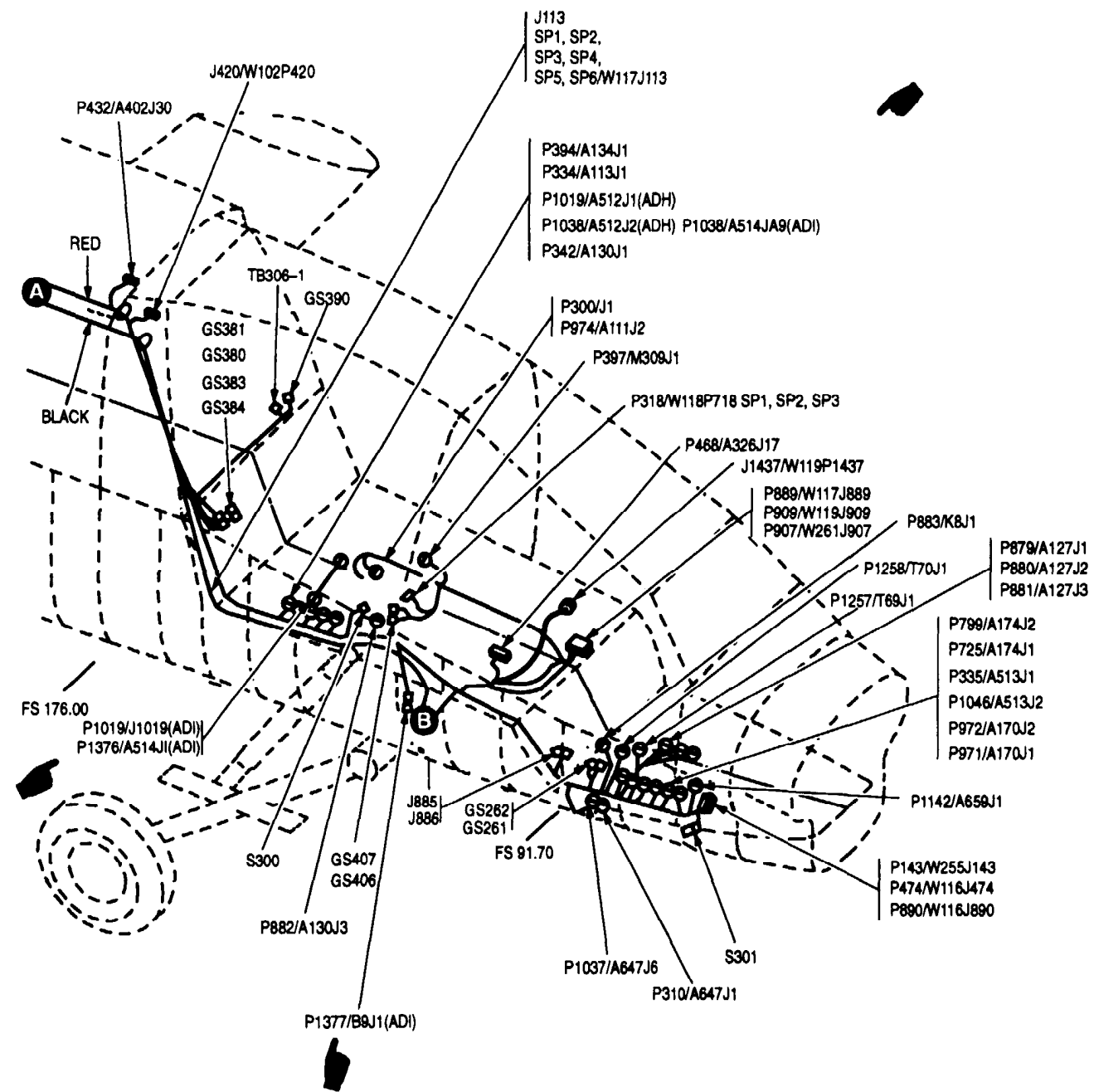
27-68. WIRE HARNESS W264



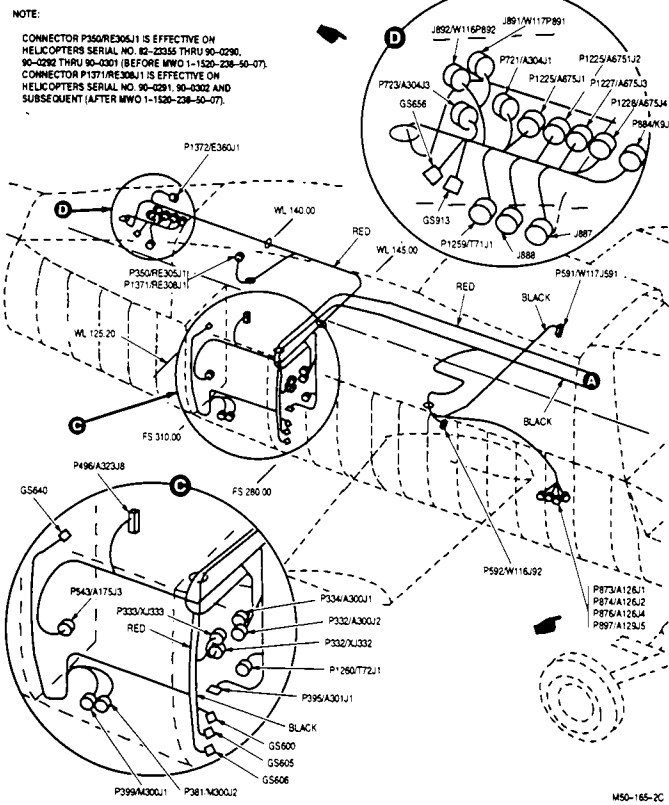
M50-133A

27-69. WIRE HARNESS W266

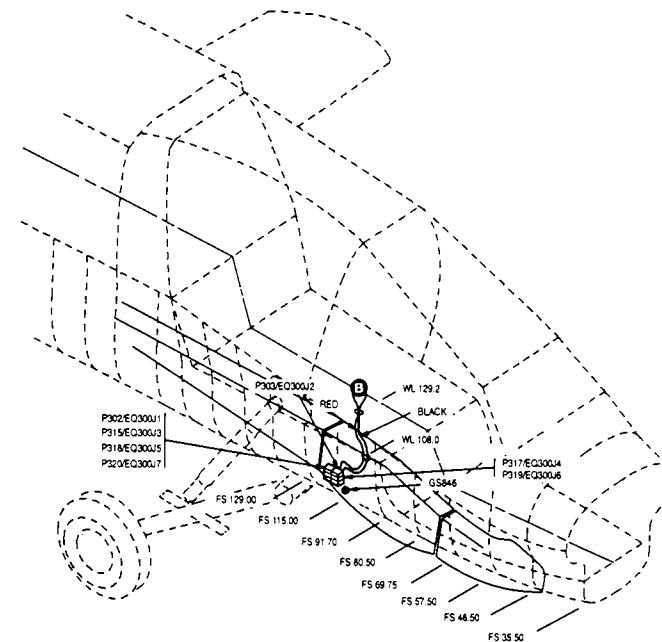
27-68/27-69



M50-165-1D

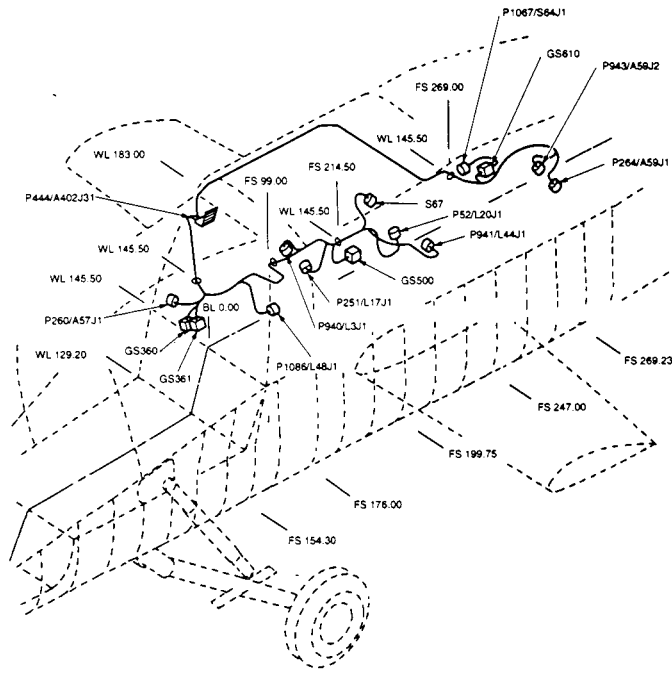


M50-165-2C

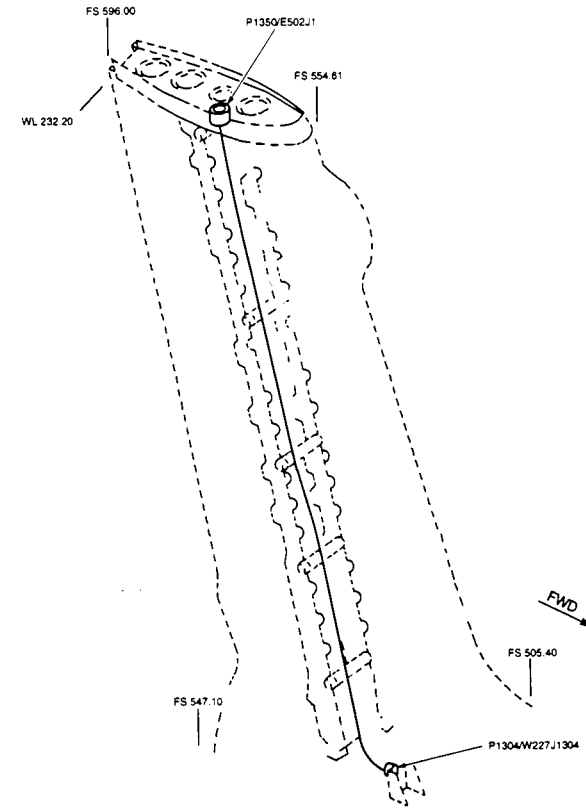


M50-165-3C

M50-165-3C

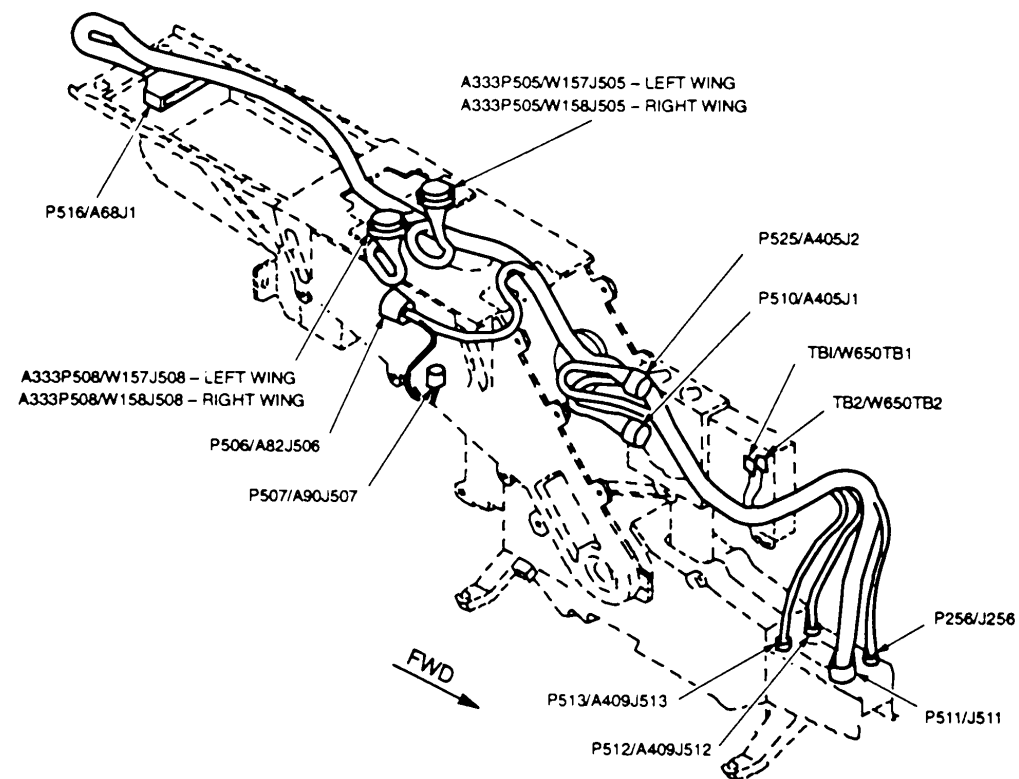
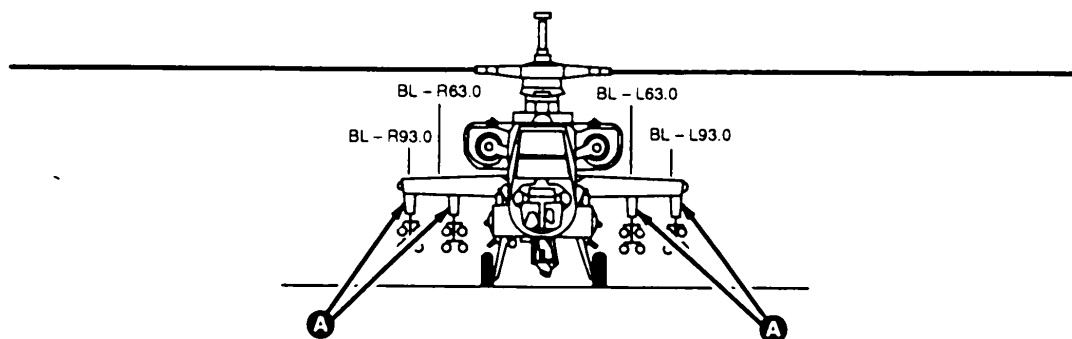


M50-135A
M50-135A



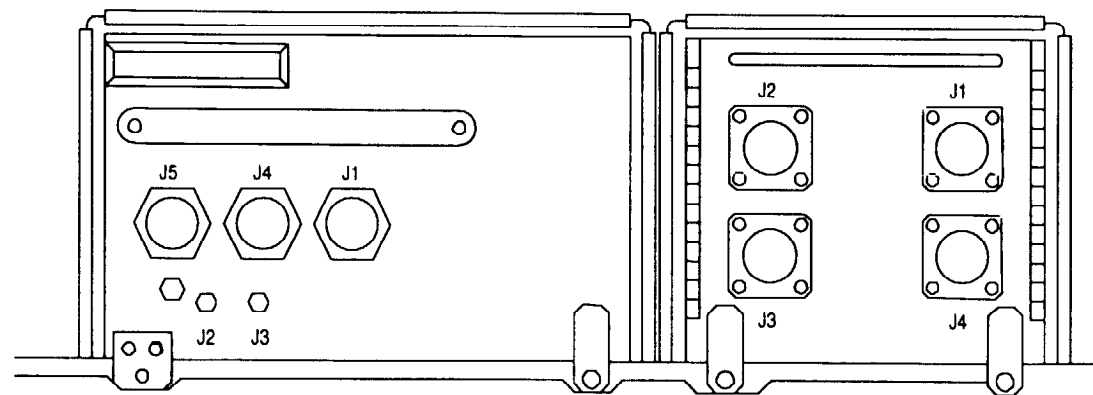
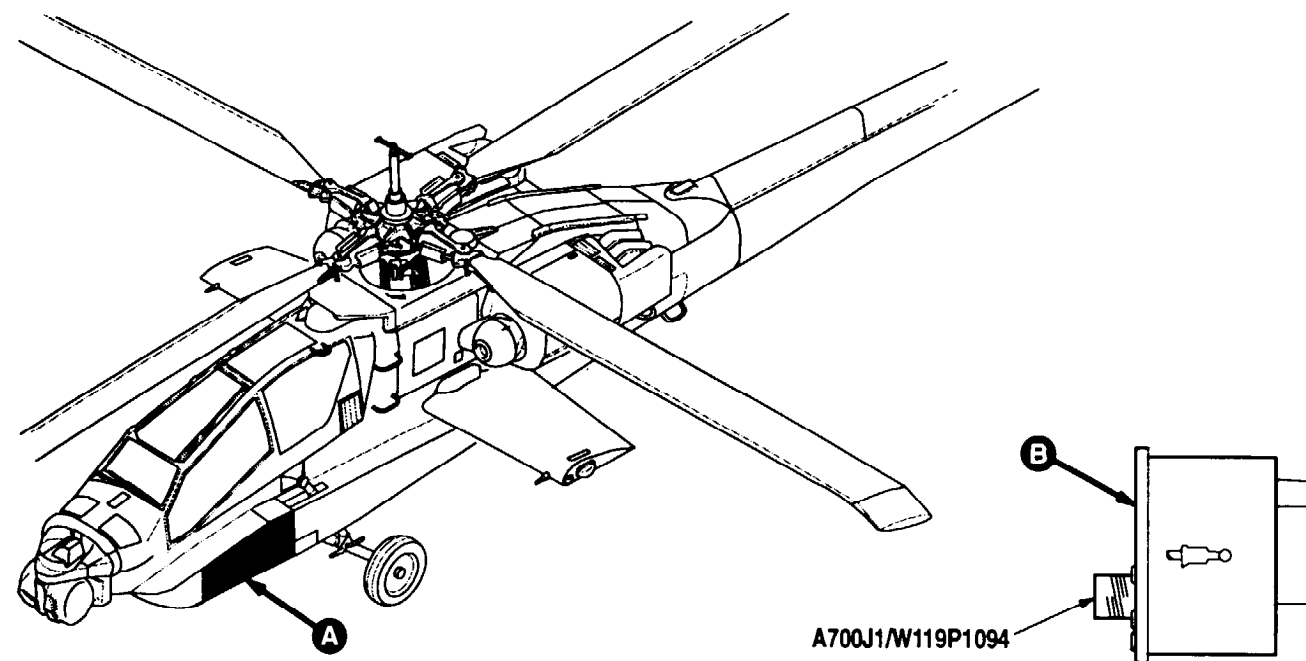
M50-278-1

M50-278-1

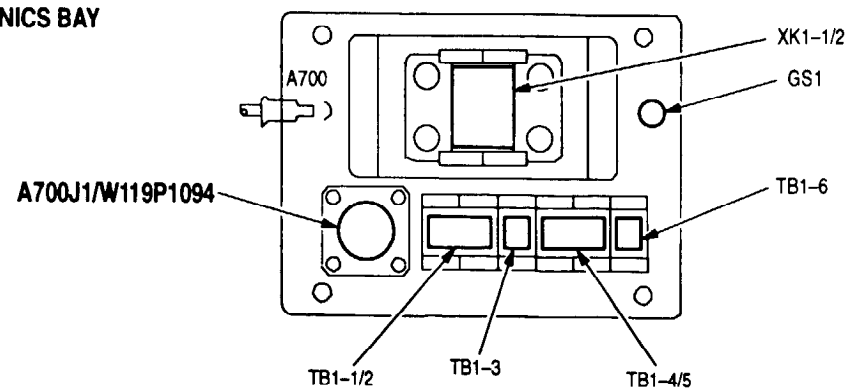


A A333 PLYON TYPICAL (4 PLACES)

M50-004A

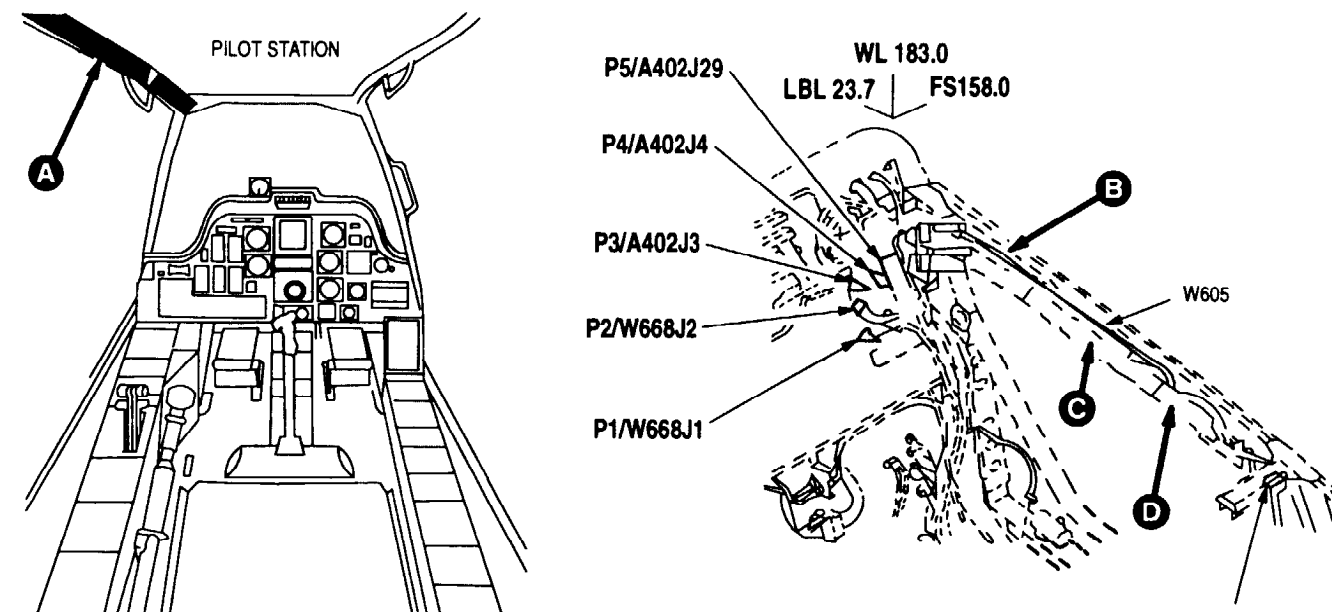


A LEFT FORWARD AVIONICS BAY

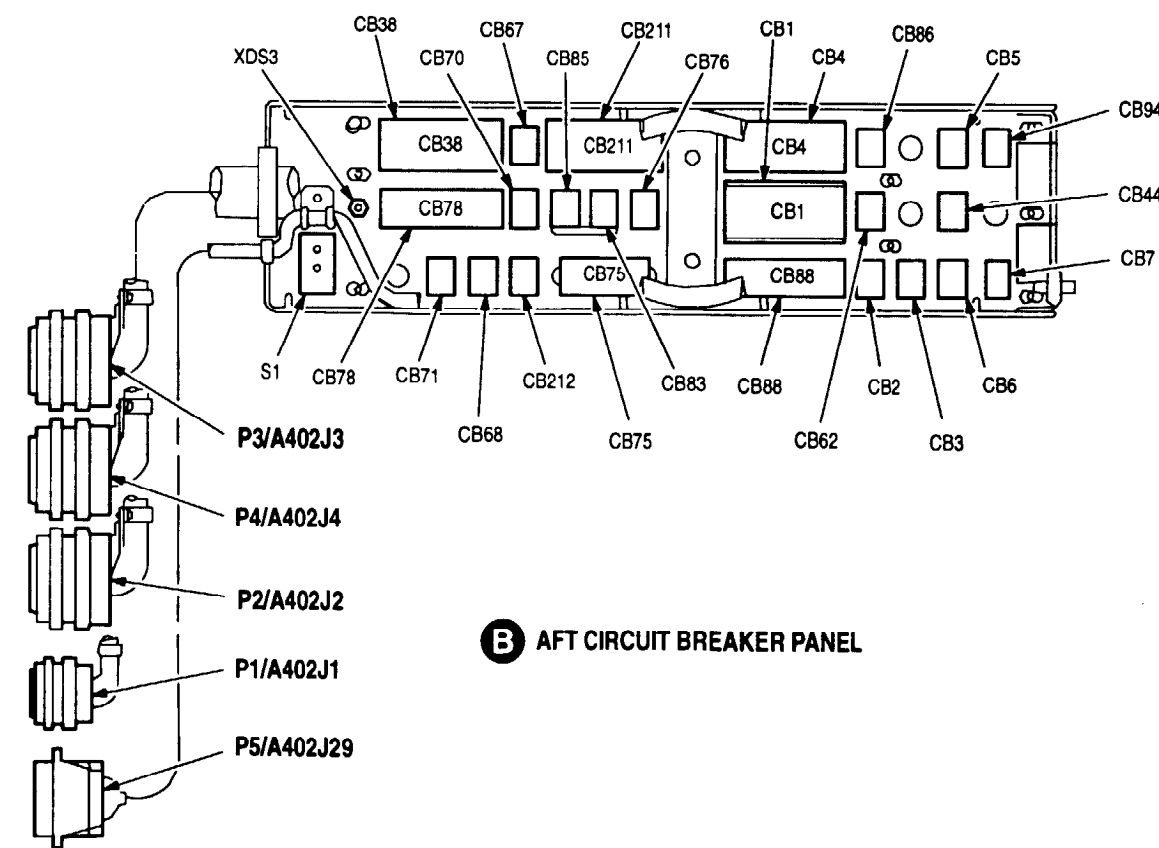


B A700 RADAR JAMMER RELAY BOX

M50-019



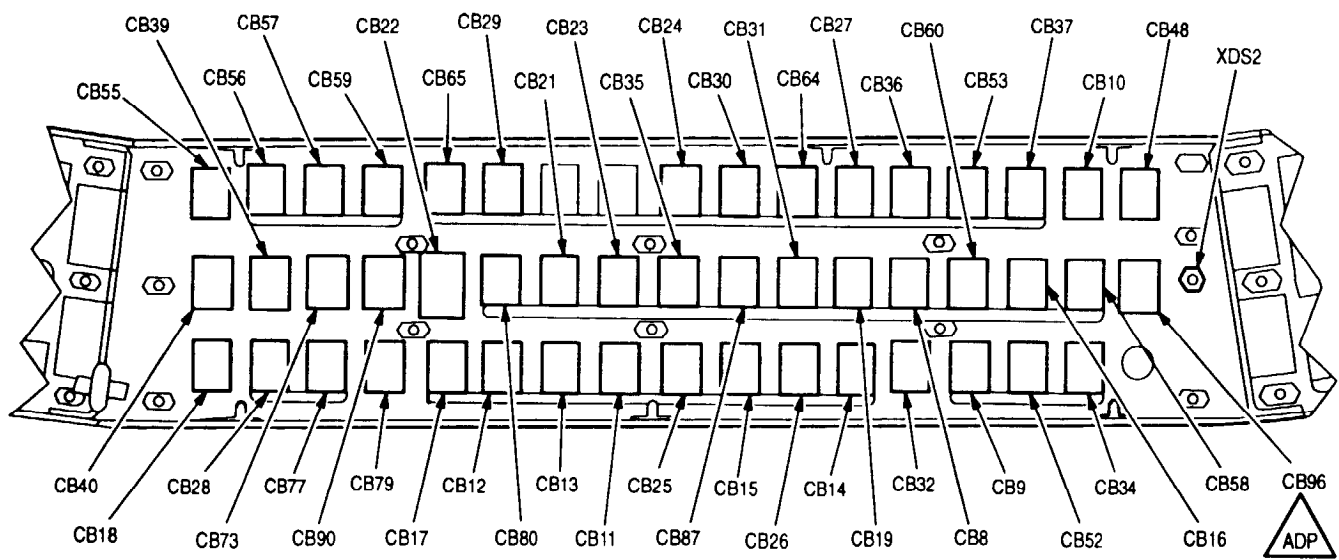
A A76 PILOT CIRCUIT BREAKER PANEL



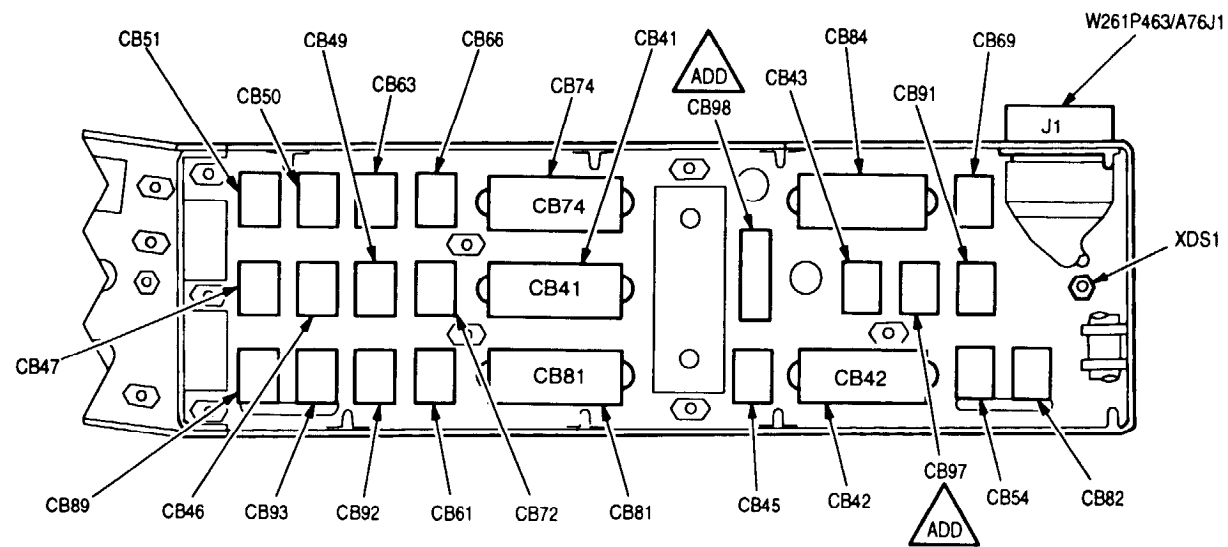
B AFT CIRCUIT BREAKER PANEL

M50-022-1A

27-73. WIRE HARNESS W605 (cont)

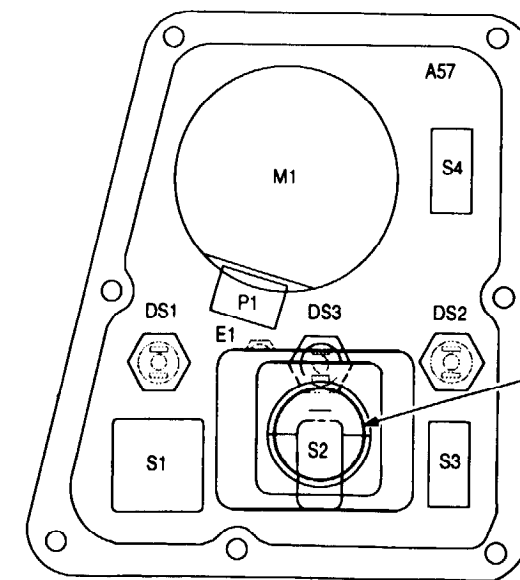
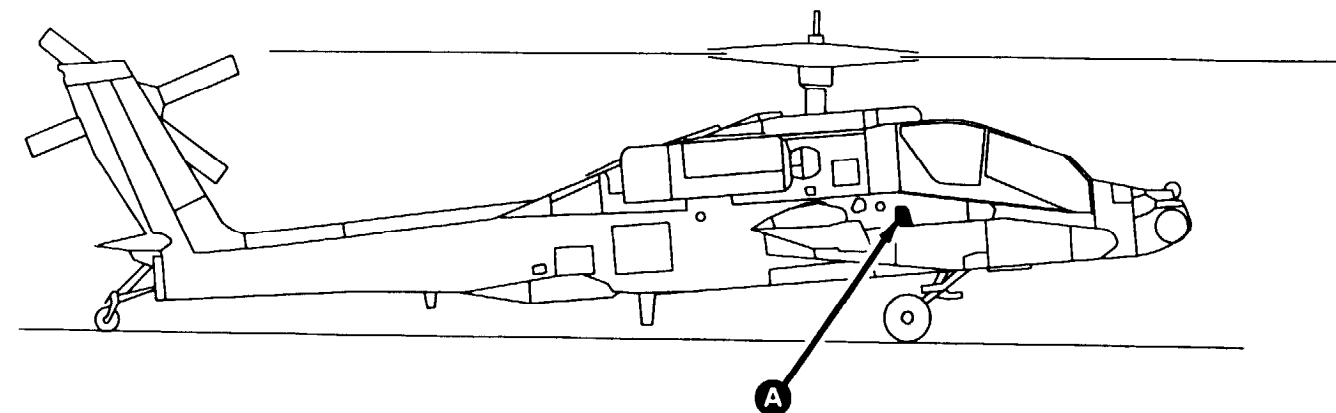


C CENTER CIRCUIT BREAKER PANEL



D FORWARD CIRCUIT BREAKER PANEL

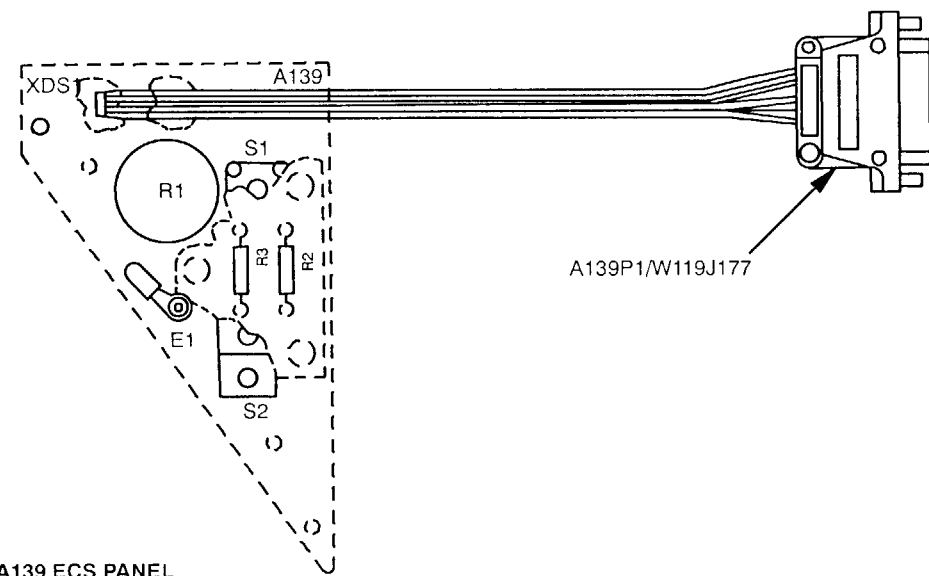
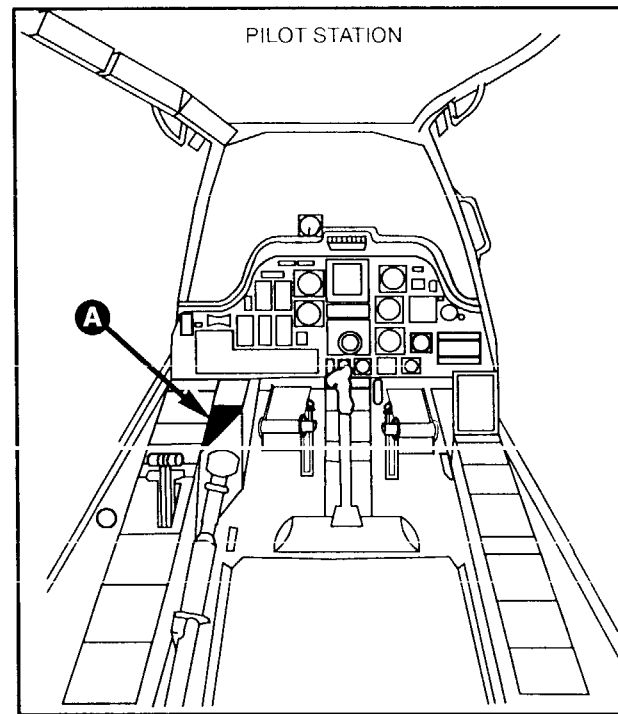
27-74. WIRE HARNESS W608



A A57 REFUELING PANEL
ROTATED 180 DEGREES

NOTE:
WIRE HARNESS IS ON AND IS
PART OF PANEL ASSEMBLY
HARNESS WIRES NOT SHOWN

27-75. WIRE HARNESS W609



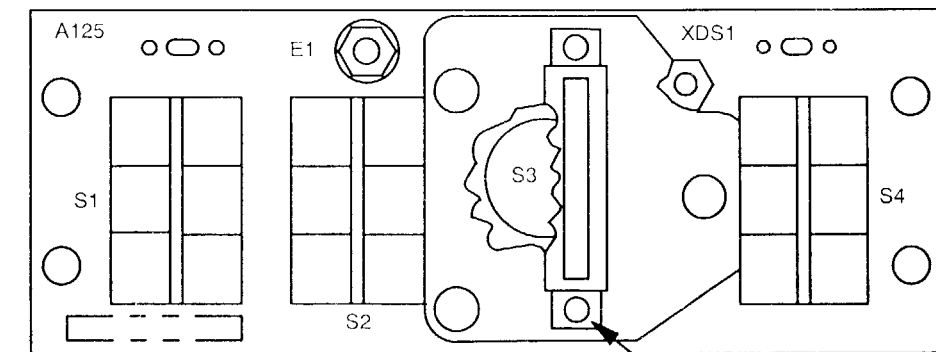
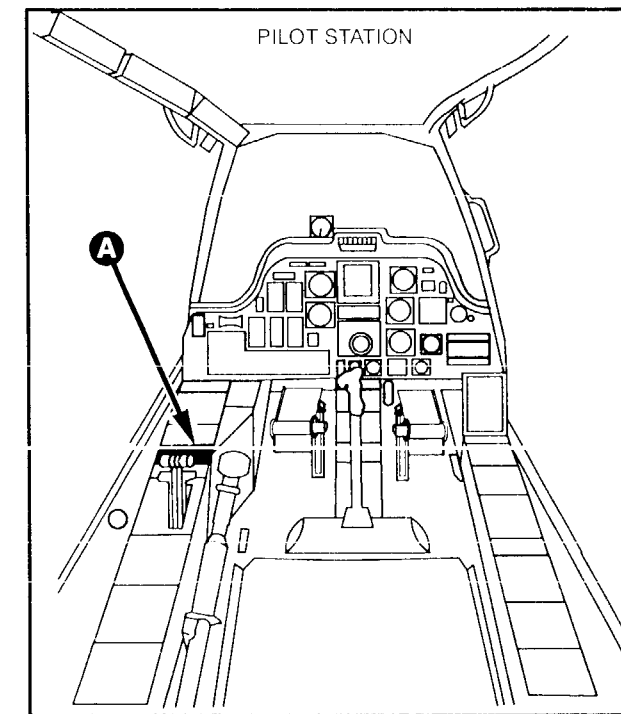
A A139 ECS PANEL
ROTATED 180 DEGREES

NOTE:
WIRE HARNESS IS ON AND IS PART OF PANEL ASSEMBLY.
HARNESS WIRES NOT SHOWN.

M50-125A

27-76. WIRE HARNESS W610

27-75/27-76



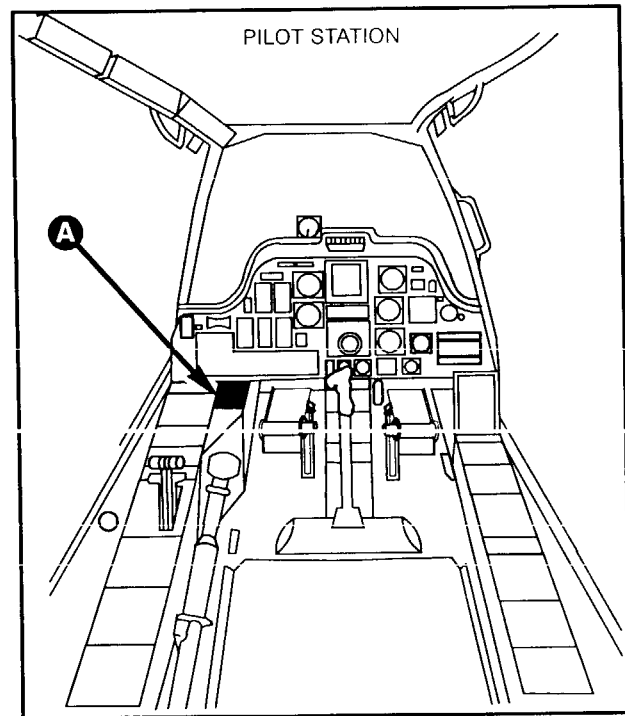
A125J1/W119P172

A A125 ELEC PWR PANEL
ROTATED 180 DEGREES.

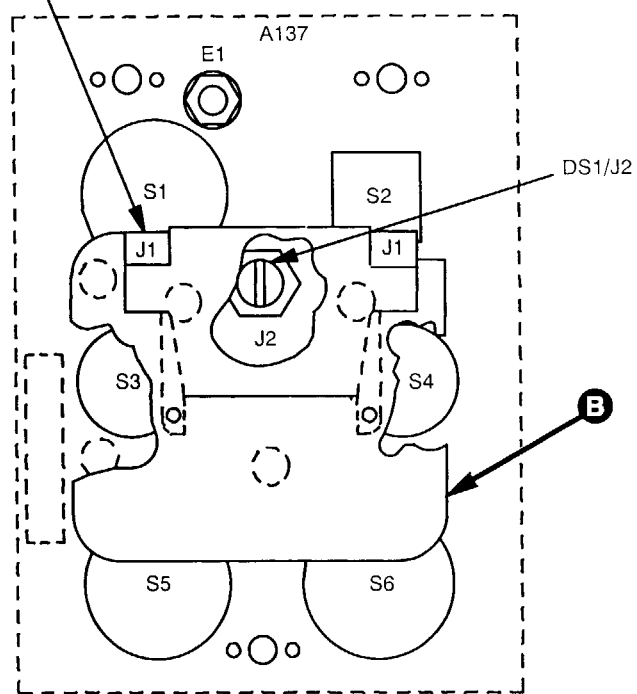
NOTE:
WIRE HARNESS IS ON AND IS PART OF PANEL ASSEMBLY.
HARNESS WIRES NOT SHOWN.

M50-127A

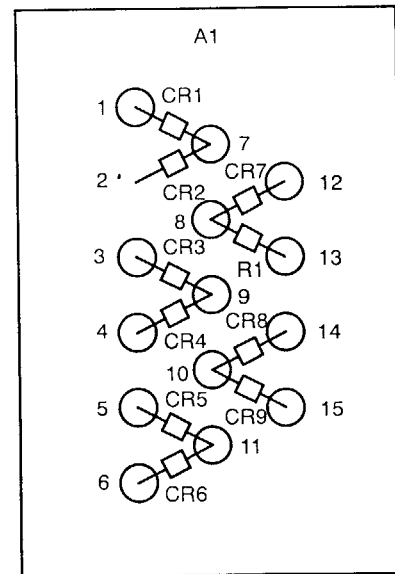
27-77. WIRE HARNESS W611



A137J1/W119P170



A A137 ASE PANEL

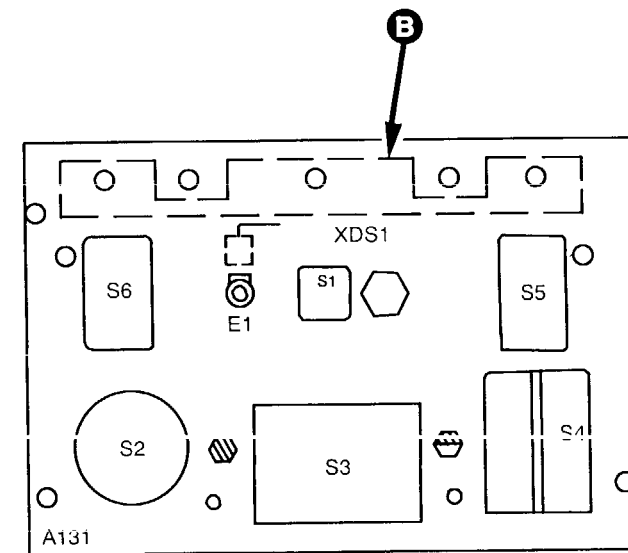
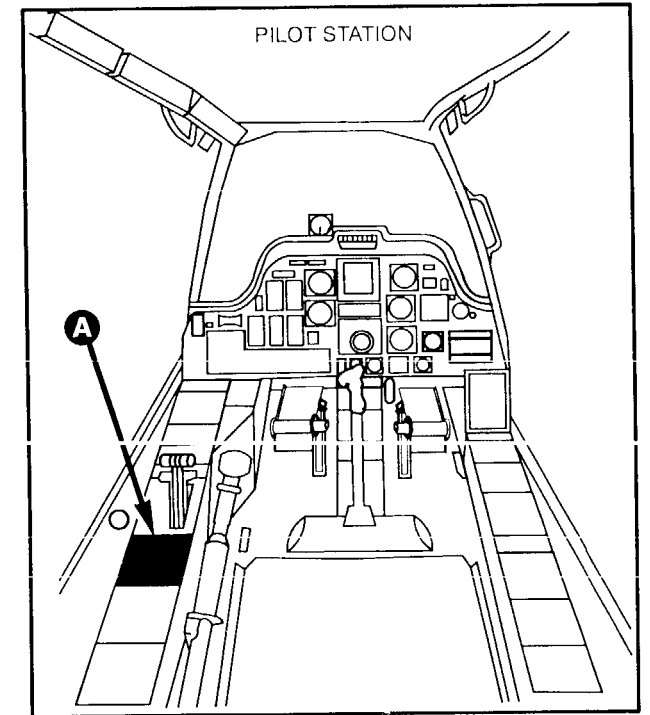


B A137 A1 COMPONENT BOARD

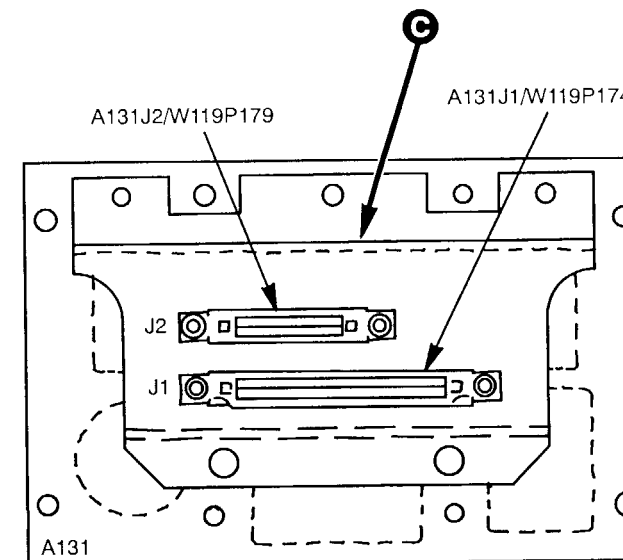
NOTE:
WIRE HARNESS IS ON AND IS PART OF PANEL ASSEMBLY.
HARNESS WIRES NOT SHOWN.

M50-051A

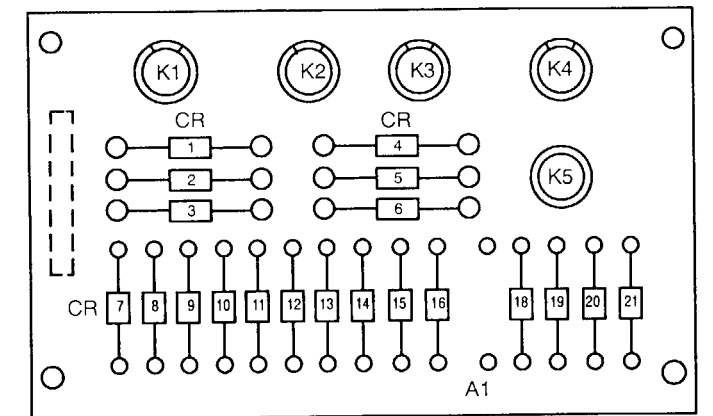
27-78. WIRE HARNESS W612



A A131 FUEL PANEL



B

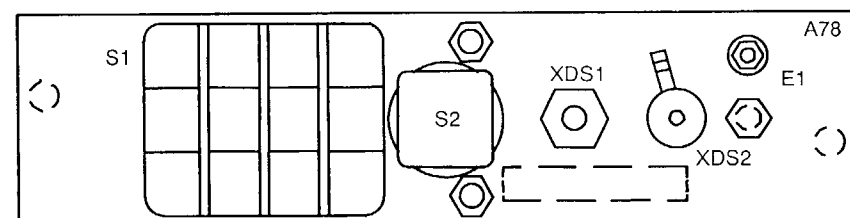
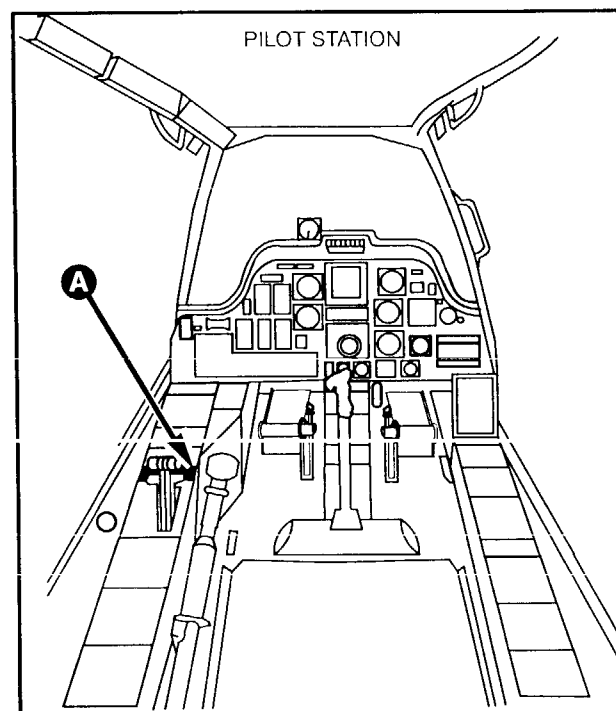


C A131 A1 COMPONENT BOARD

NOTE:
WIRE HARNESS IS ON AND IS PART OF PANEL ASSEMBLY.
HARNESS WIRES NOT SHOWN.

M50-073A

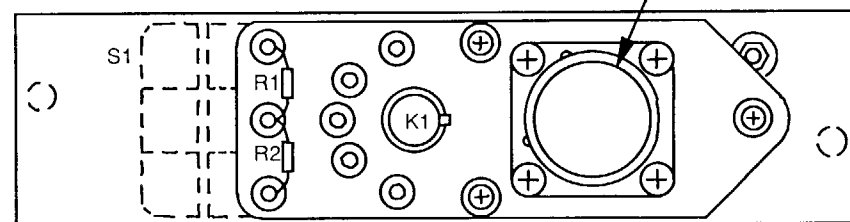
27-79. WIRE HARNESS W613



A (BRACKET REMOVED)

A78 EMERG PWR OVSP TEST PANEL

A78J1/W119P175



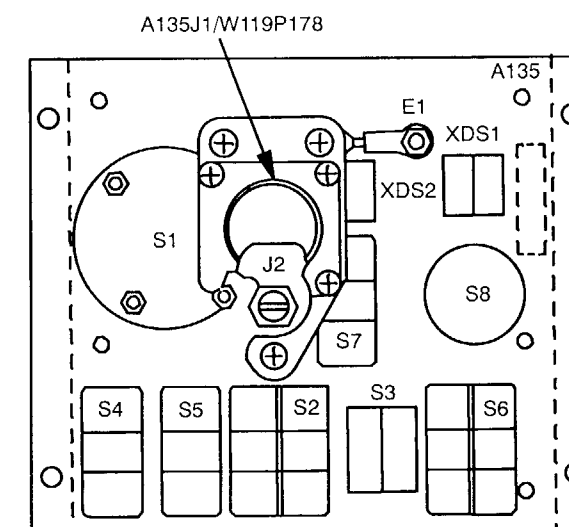
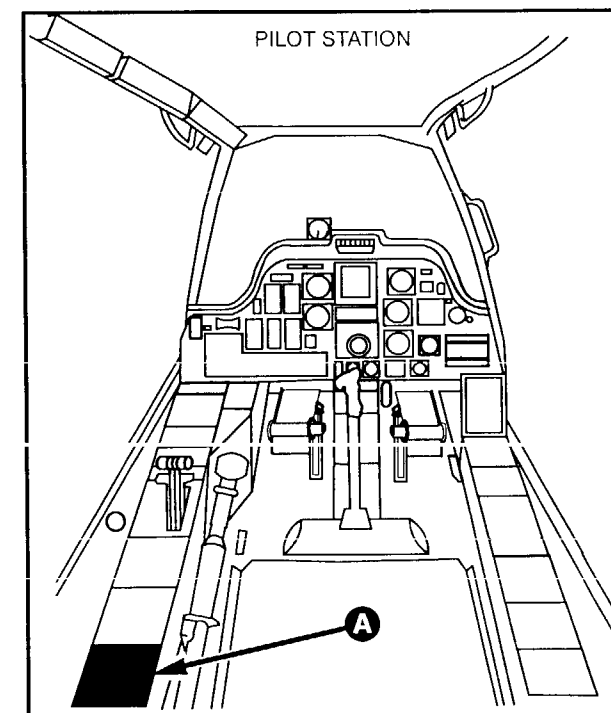
(BRACKET SHOWN)

NOTE:
WIRE HARNESS IS ON AND IS PART OF PANEL ASSEMBLY.
HARNESS WIRE NOT SHOWN.

M50-077A

27-80. WIRE HARNESS W614

27-79/27-80

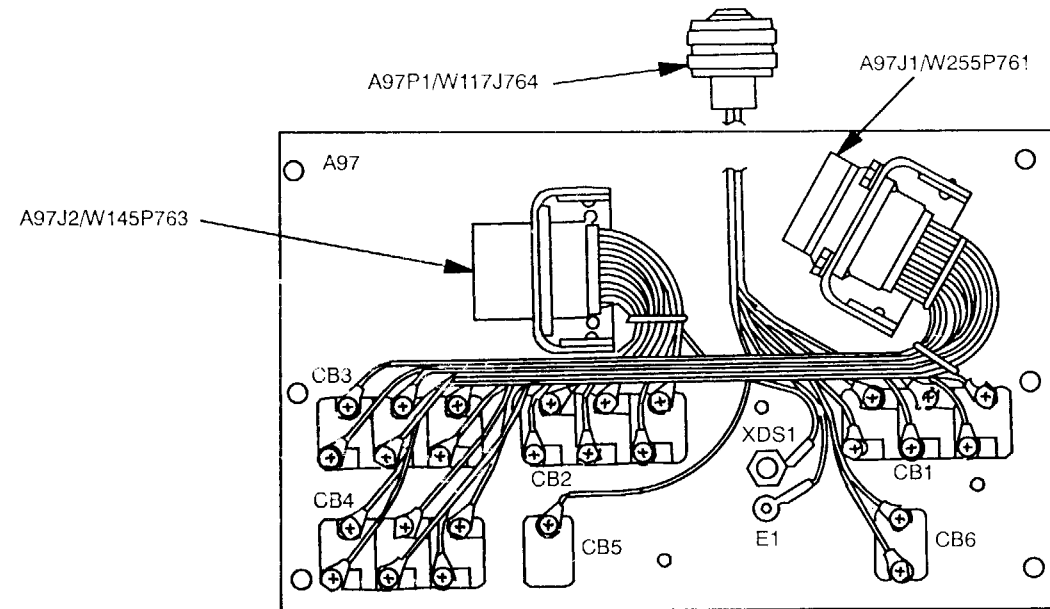
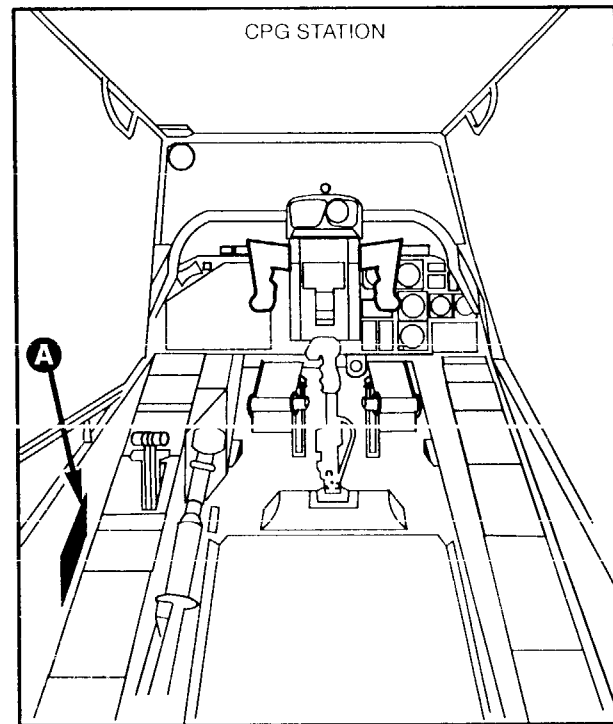


A A135 ANTI-ICE PANEL

NOTE:
WIRE HARNESS IS ON AND IS PART OF PANEL ASSEMBLY.
HARNESS WIRES NOT SHOWN.

M50-099A

27-81. WIRE HARNESS W615



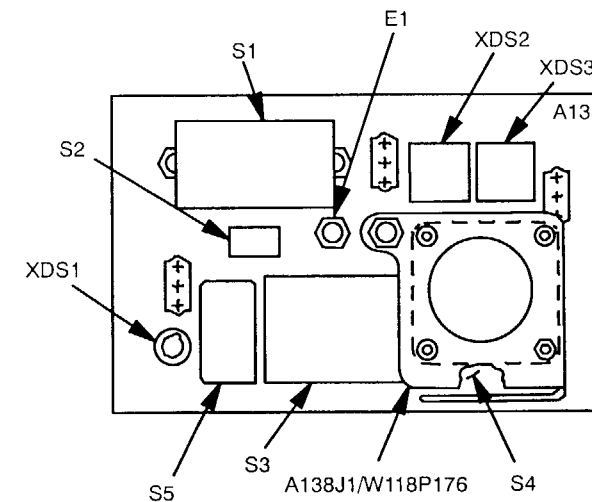
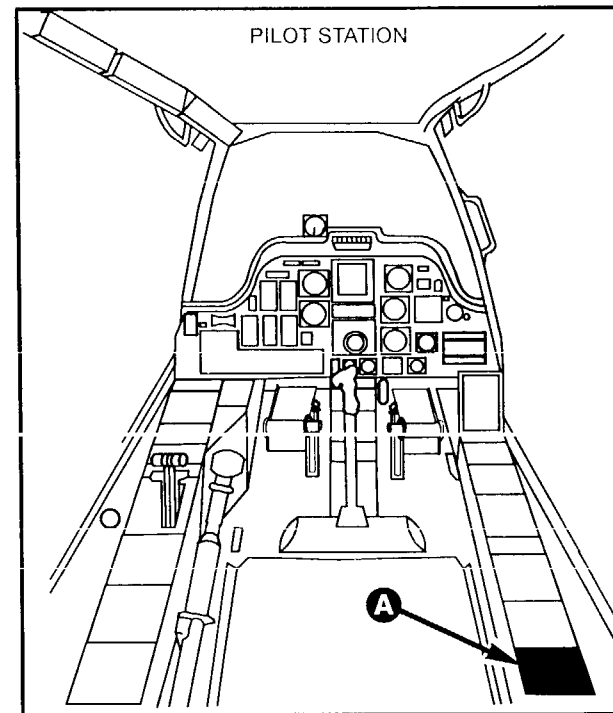
A A97 CPG CIRCUIT BREAKER PANEL 2

NOTE:
WIRE HARNESS IS ON AND IS PART OF PANEL ASSEMBLY.

M50-101A

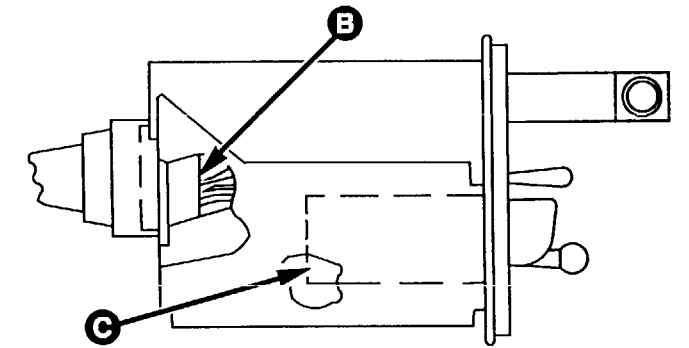
27-82. WIRE HARNESS W616

27-81/27-82

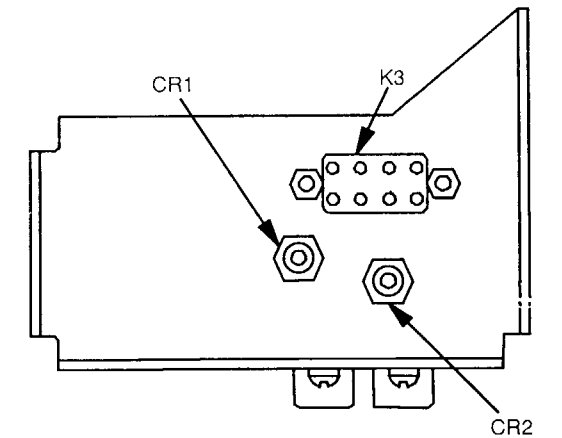
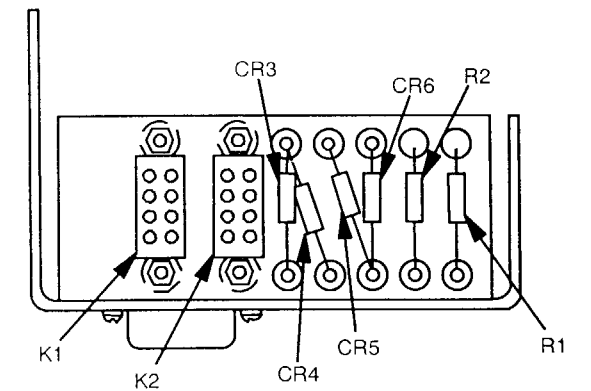


B

NOTE:
WIRE HARNESS IS ON AND PART OF PANEL ASSEMBLY. HARNESS WIRES NOT SHOWN.



A A138 BTL DISCHARGE/APU PANEL



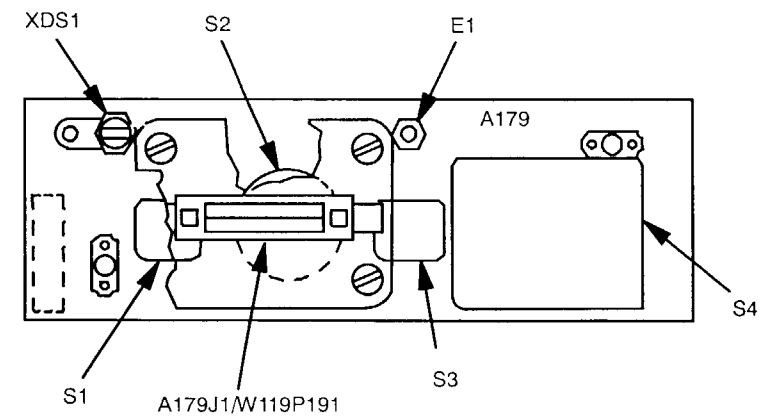
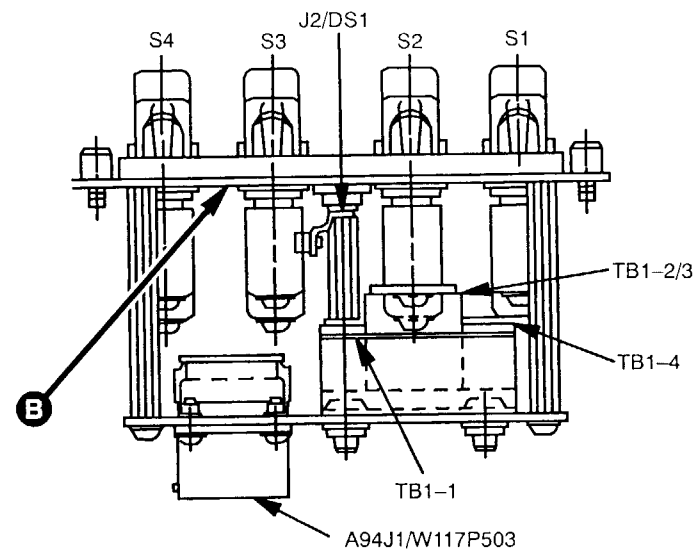
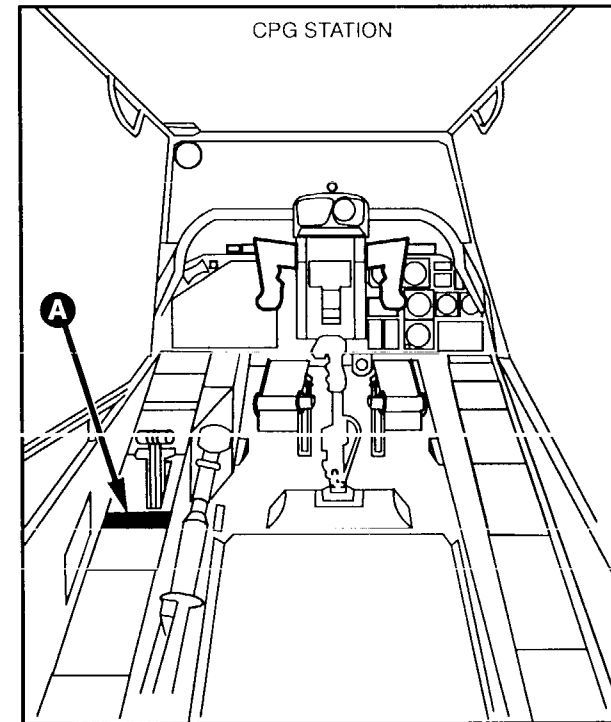
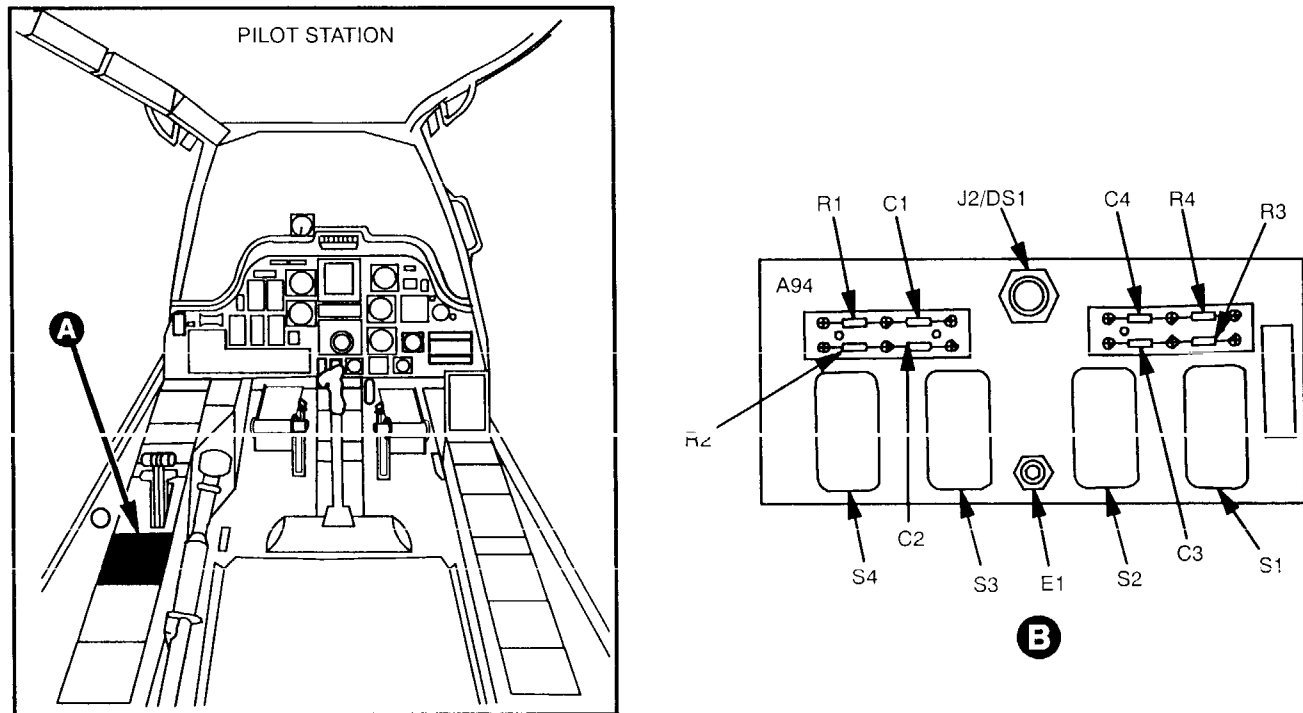
C A1 COMPONENT BOARDS

M50-103A

27-83. WIRE HARNESS W617

27-84. WIRE HARNESS W618

27-83/27-84



A A94 STORES JETT PANEL

A A179 FUEL PANEL

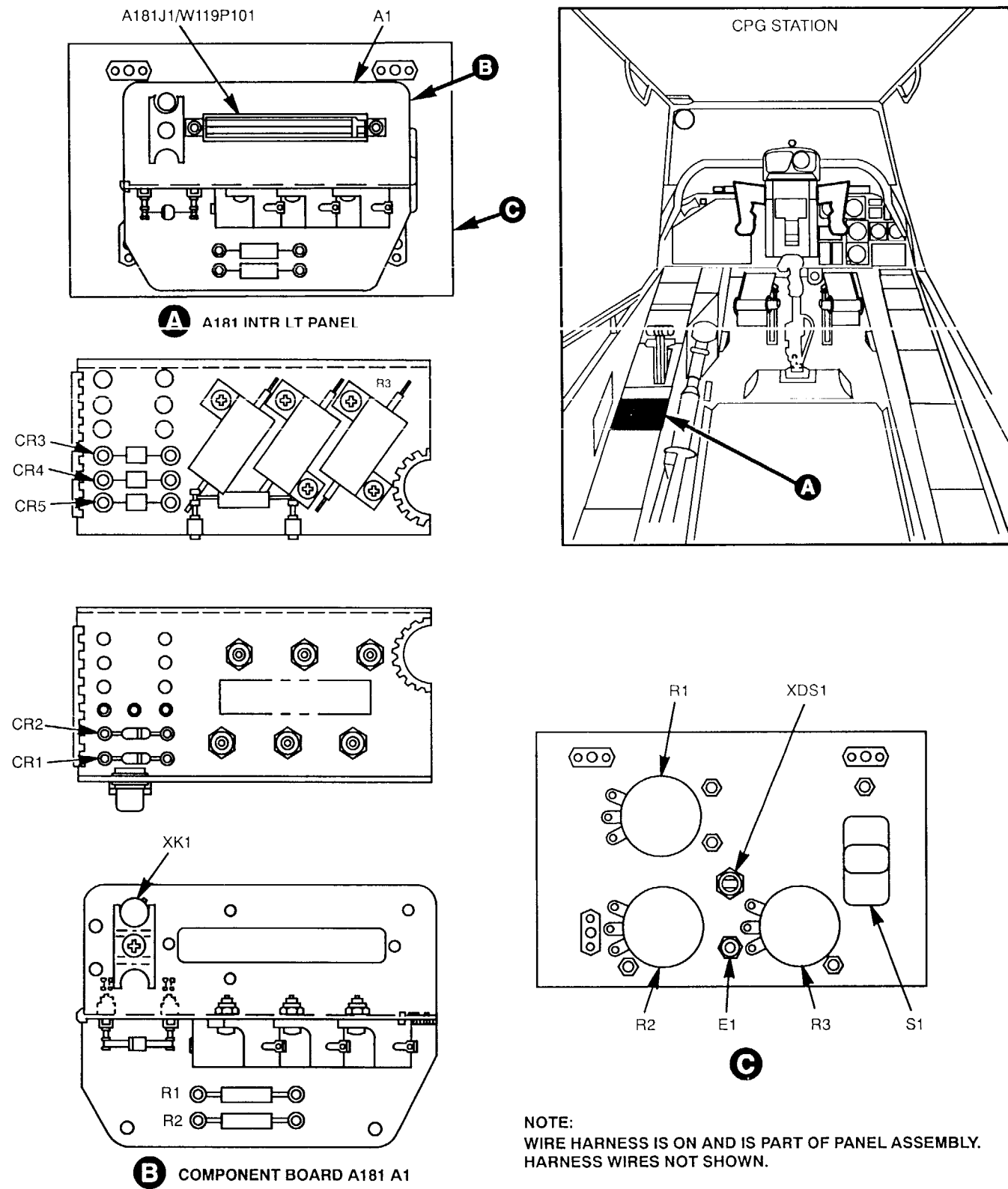
NOTE:
WIRE HARNESS IS ON AND IS PART OF PANEL ASSEMBLY. HARNESS WIRES NOT SHOWN.

NOTE:
WIRE HARNESS IS ON AND IS PART OF PANEL ASSEMBLY. HARNESS WIRE NOT SHOWN.

M50-111A

M50-113A

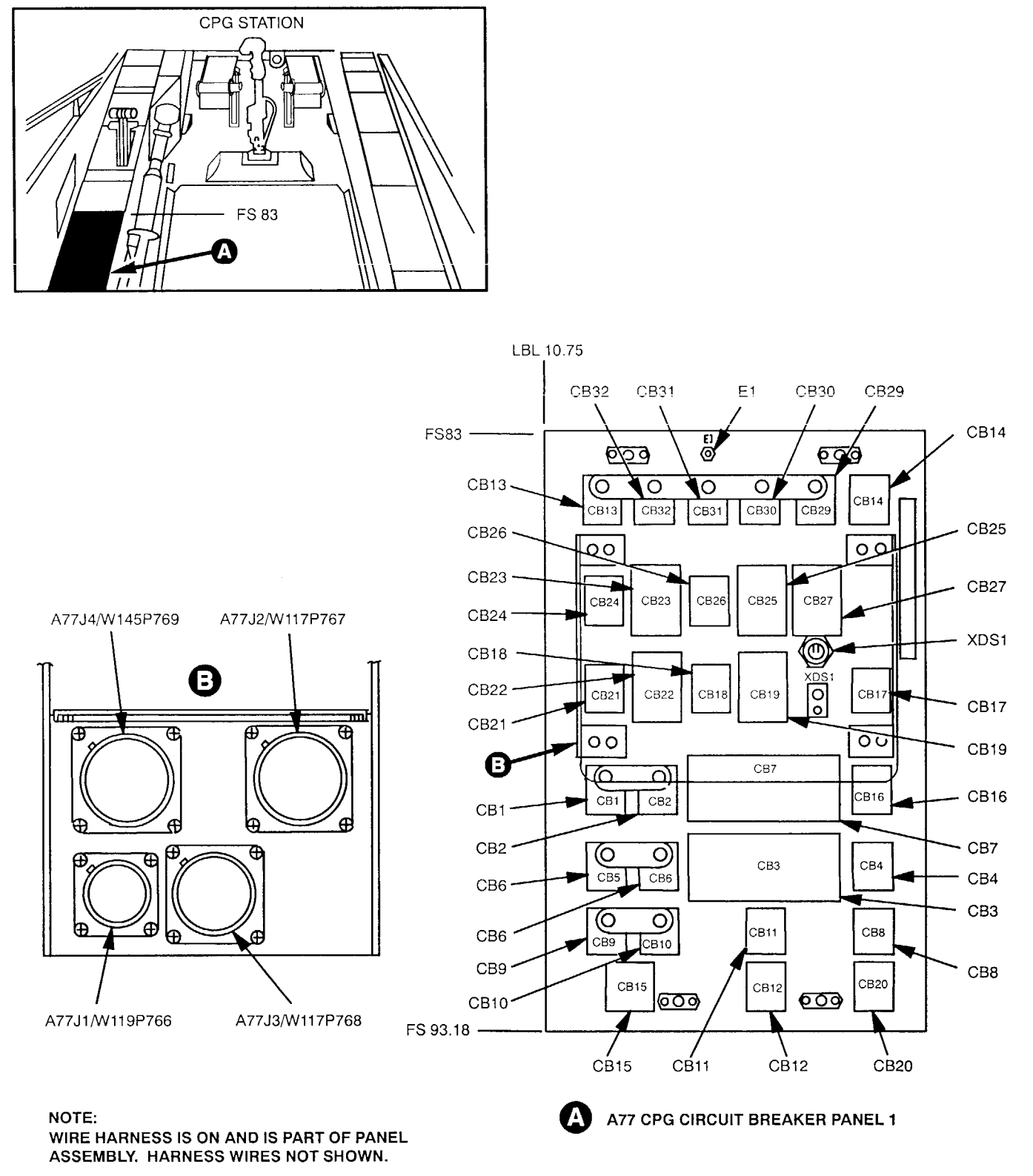
27-85. WIRE HARNESS W619



M50-115A

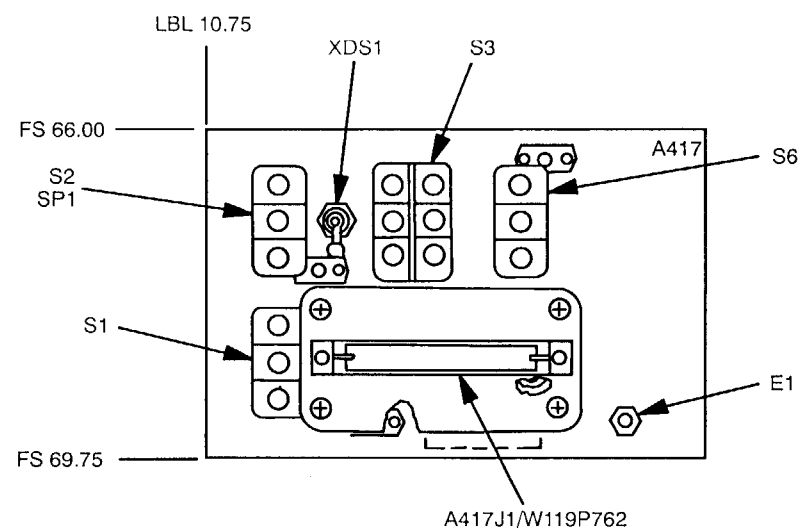
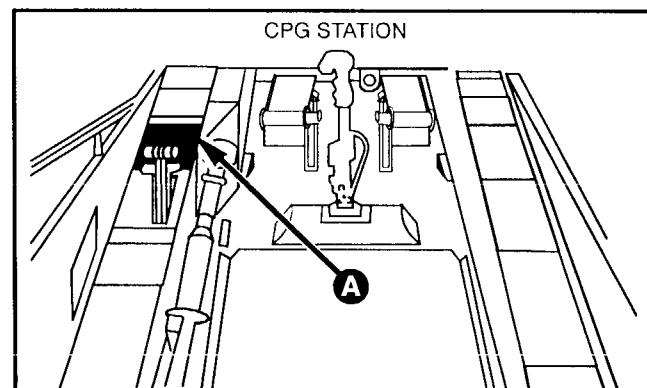
27-86. WIRE HARNESS W621

27-85/27-86



M50-117A

27-87. WIRE HARNESS W622



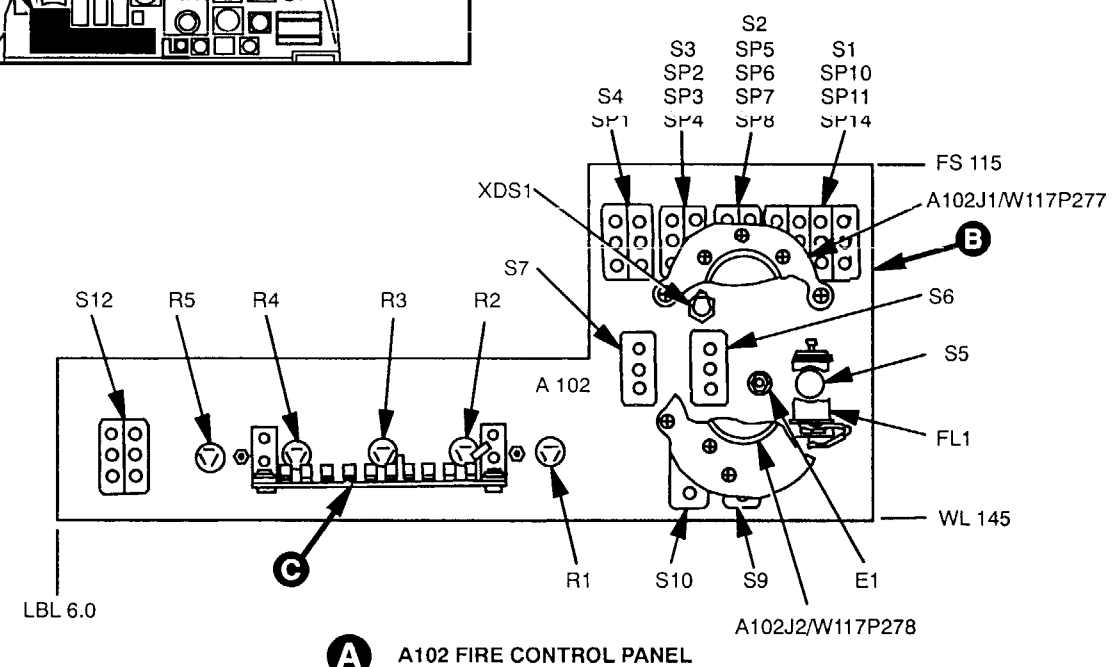
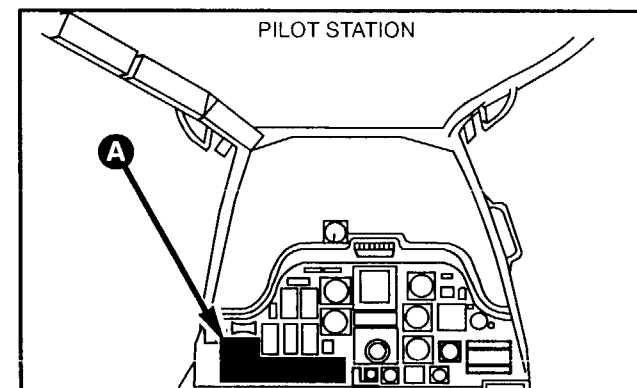
A A417 AUX/ANTI-ICE PANEL (REAR SIDE)

NOTE:
WIRE HARNESS IS ON AND IS PART OF PANEL
ASSEMBLY. HARNESS WIRES NOT SHOWN

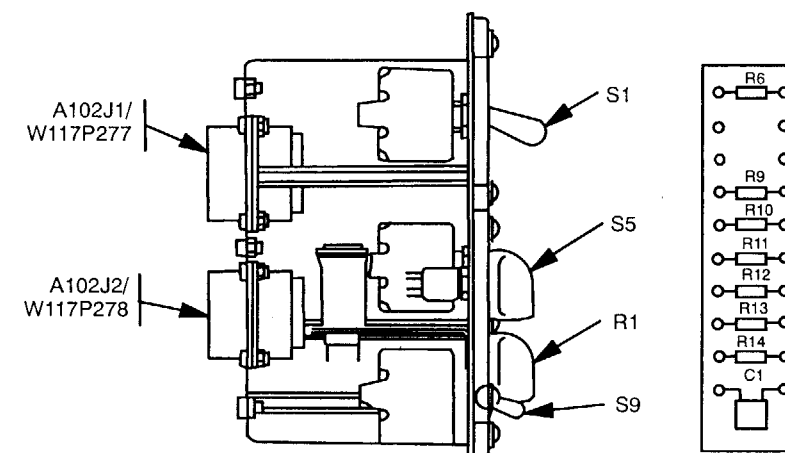
M50-166A

27-88. WIRE HARNESS W624

27-87/27-88



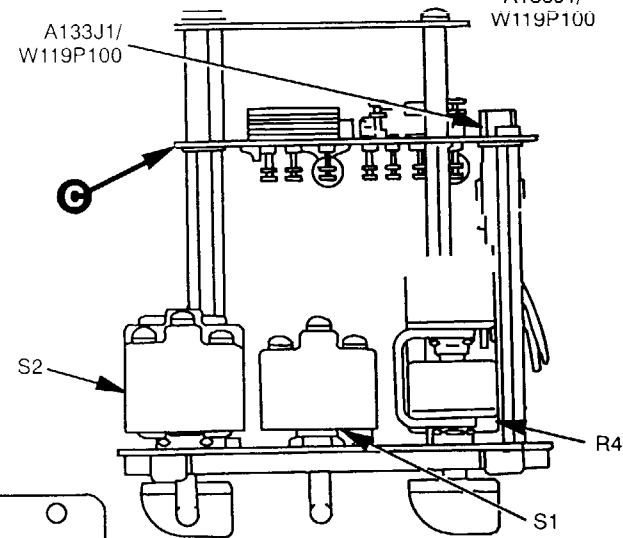
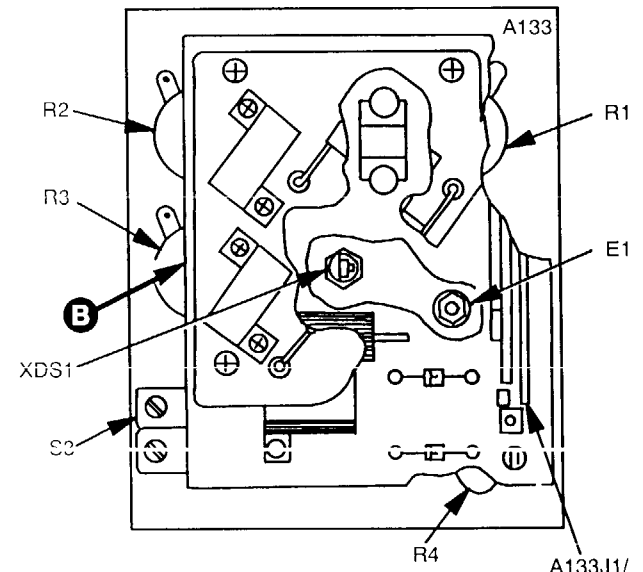
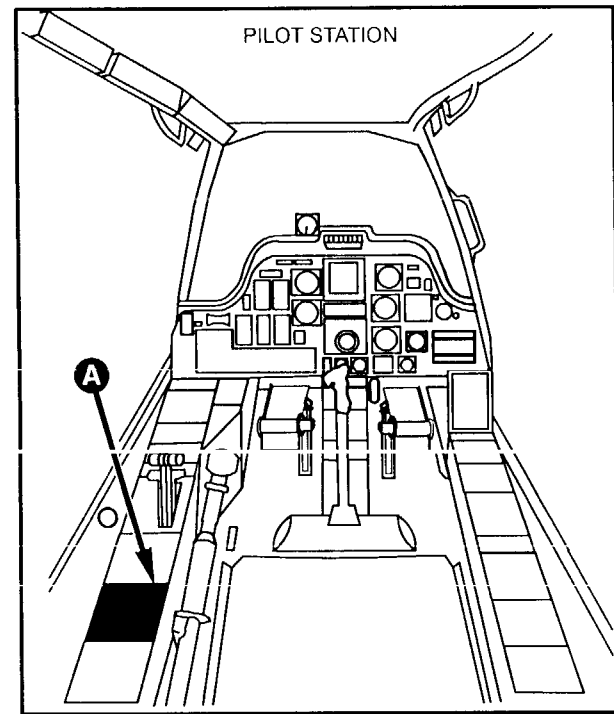
A A102 FIRE CONTROL PANEL



B **C** A102 A1 COMPONENT BOARD

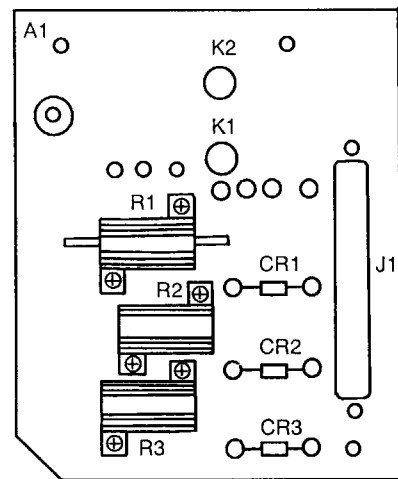
NOTE:
WIRE HARNESS IS ON AND IS PART OF PANEL
ASSEMBLY. HARNESS WIRES NOT SHOWN.

M50-167A

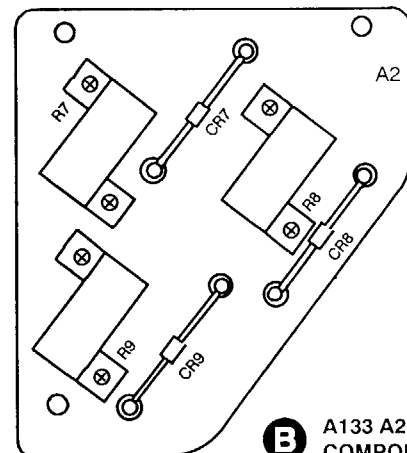


A A133 EXT LT/INTR LT PANEL

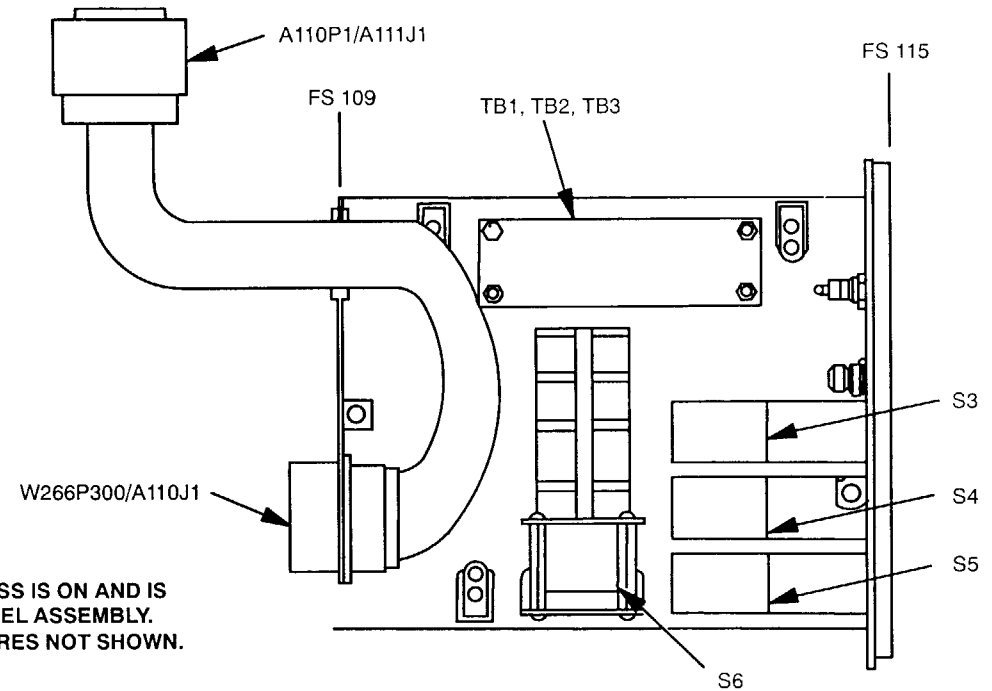
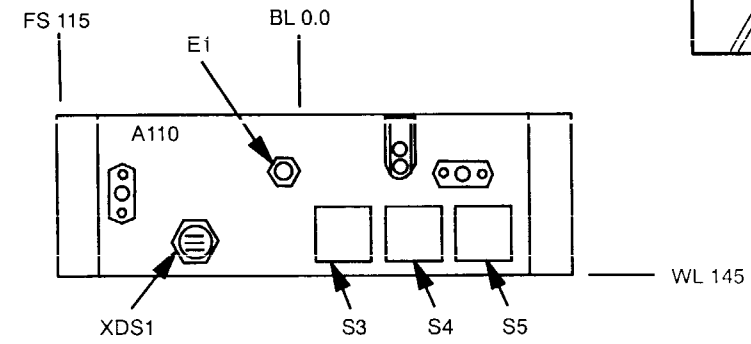
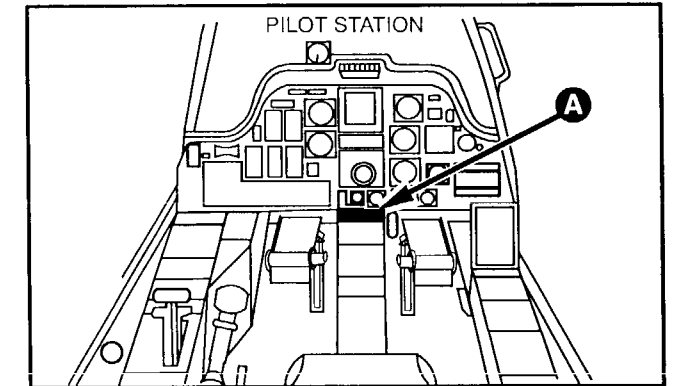
NOTE:
WIRE HARNESS IS ON AND IS PART
OF PANEL ASSEMBLY.
HARNESS WIRES NOT SHOWN.



C A133 A1 COMPONENT BOARD



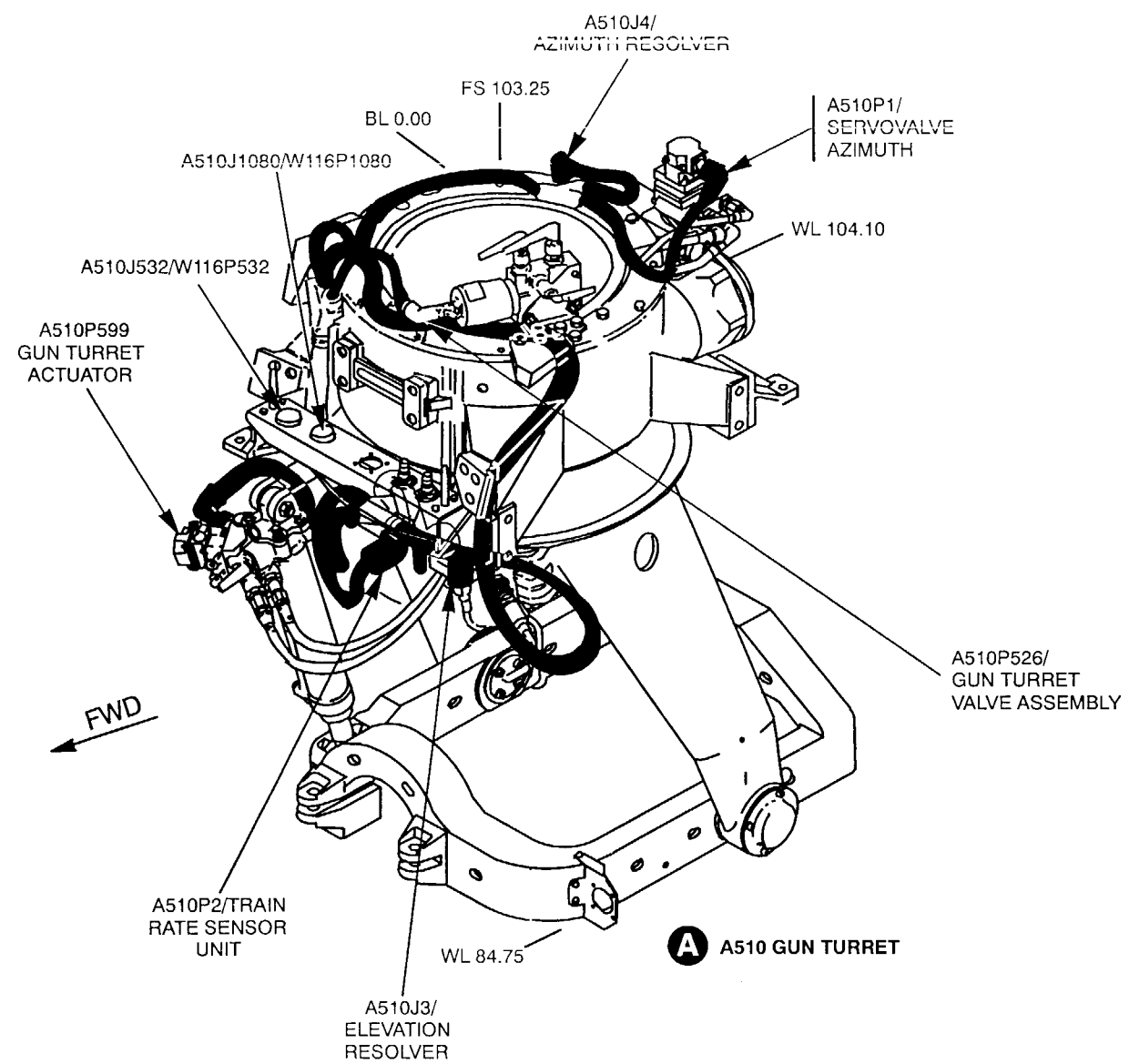
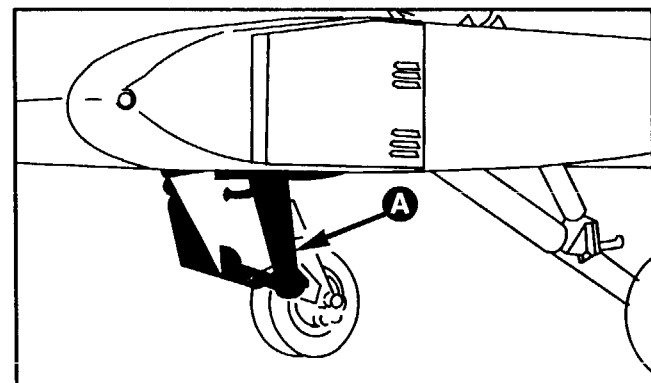
B A133 A2 COMPONENT BOARD



A A110 REMOTE TRANSMITTER SELECTOR PANEL

NOTE:
WIRE HARNESS IS ON AND IS
PART OF PANEL ASSEMBLY.
HARNESS WIRES NOT SHOWN.

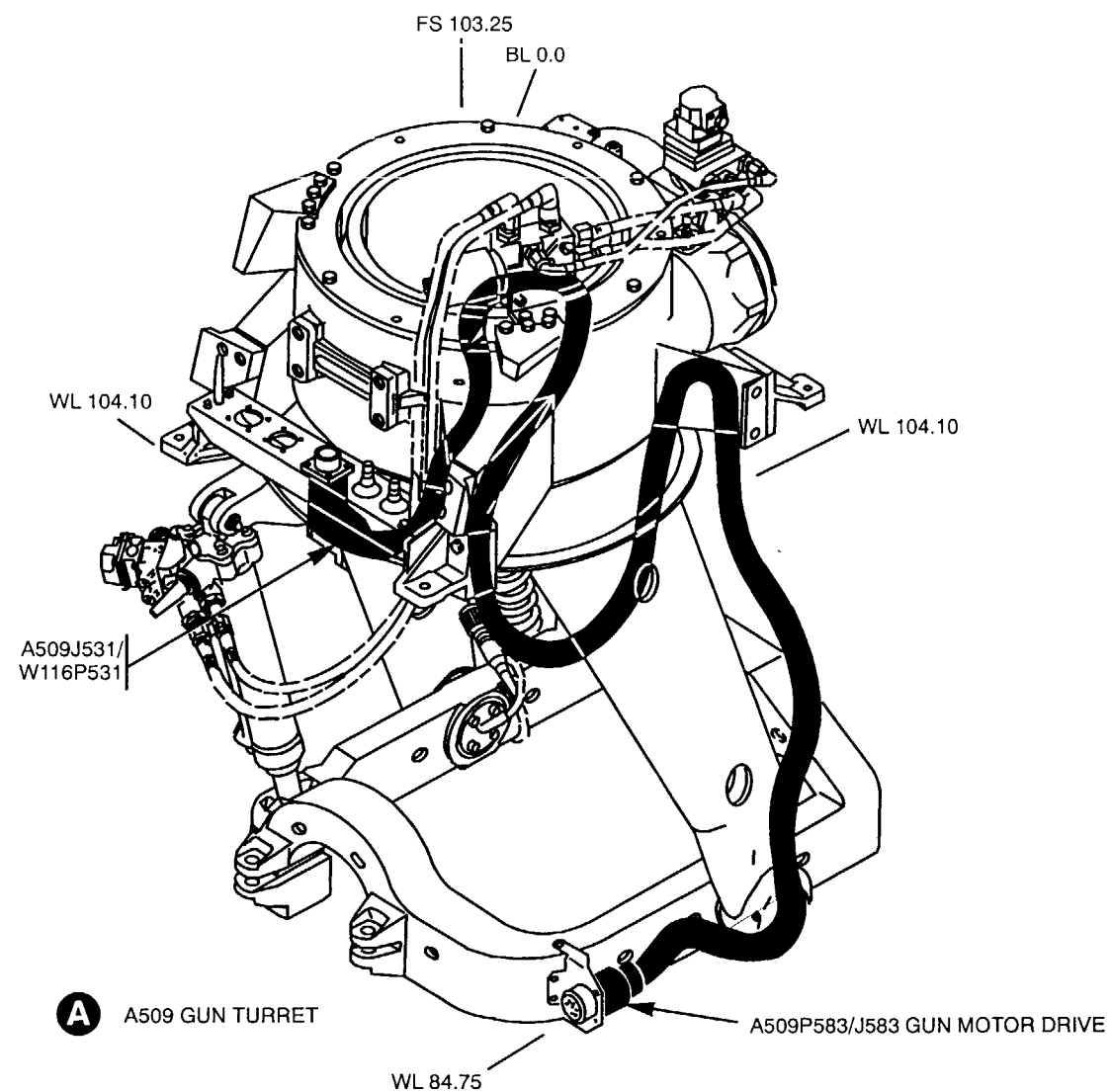
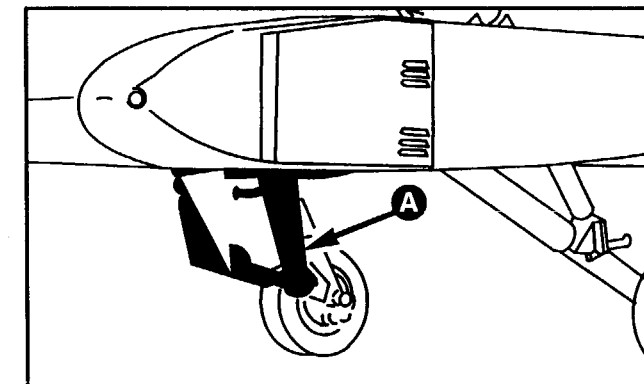
27-91. WIRE HARNESS W636



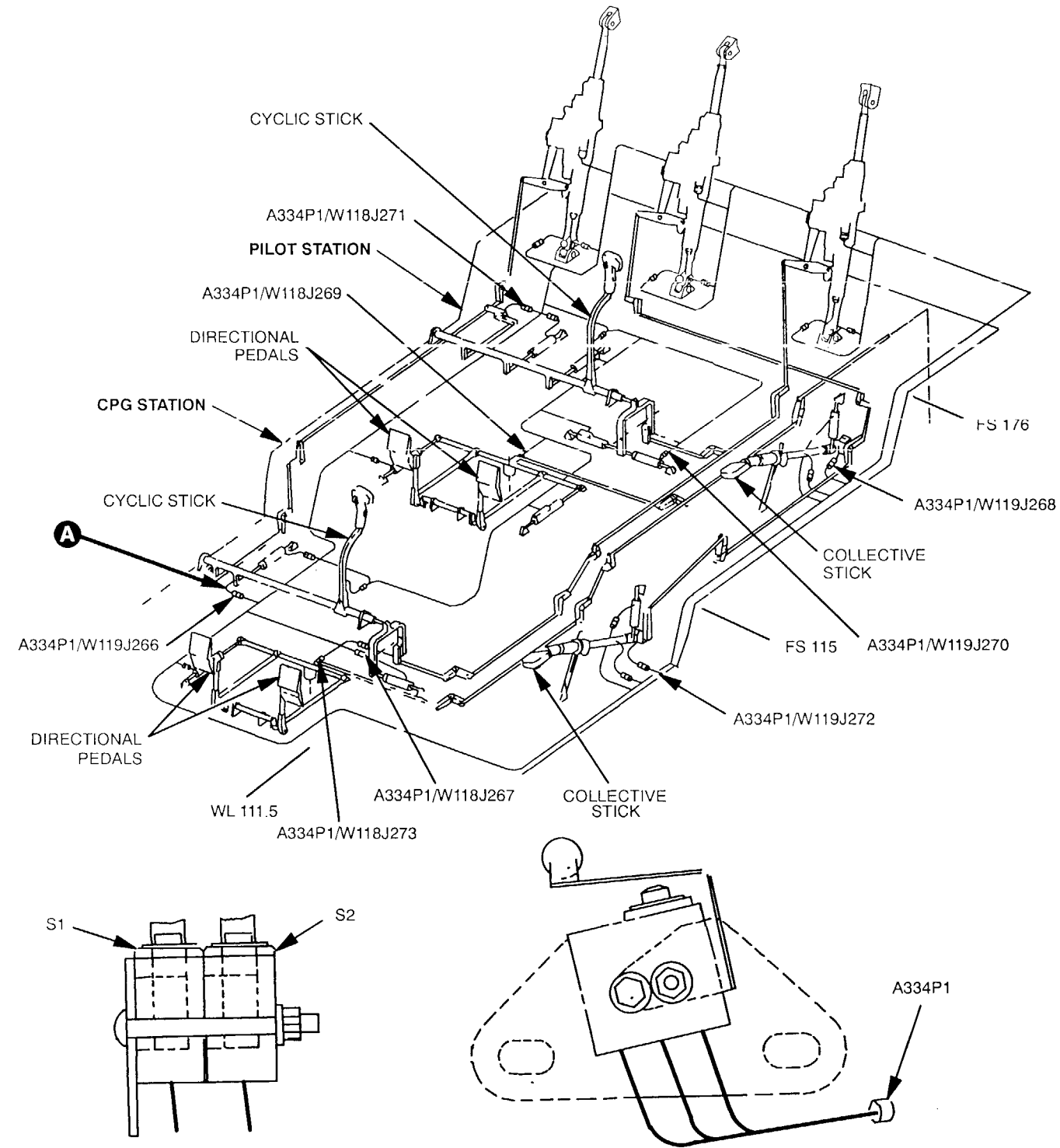
MM50-170A

27-92. WIRE HARNESS W637

27-91/27-92

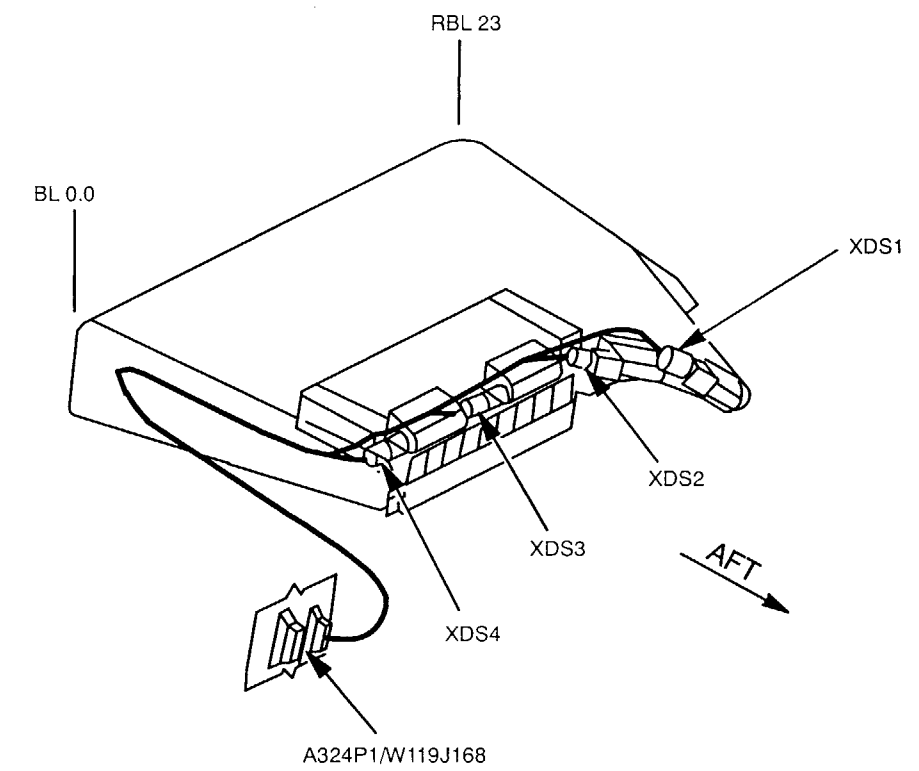
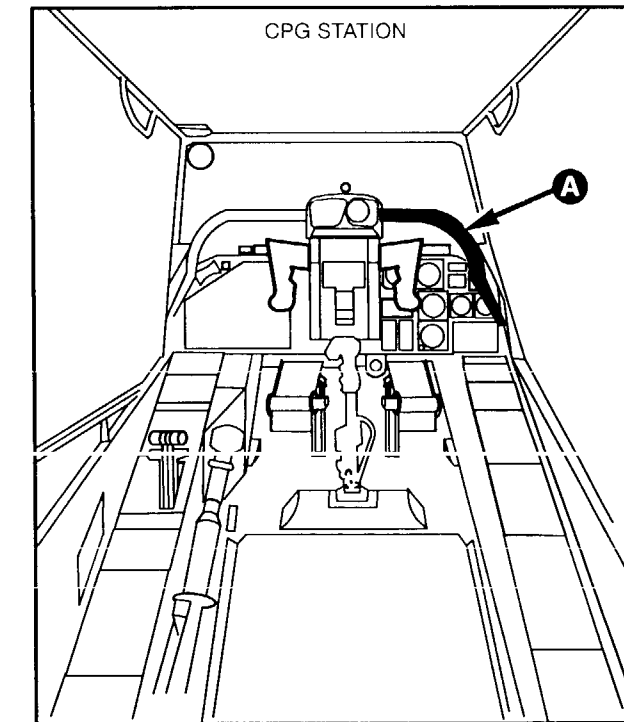


M50-171A



A A334 SPAD ASSEMBLY (TYPICAL 8 PLACES)

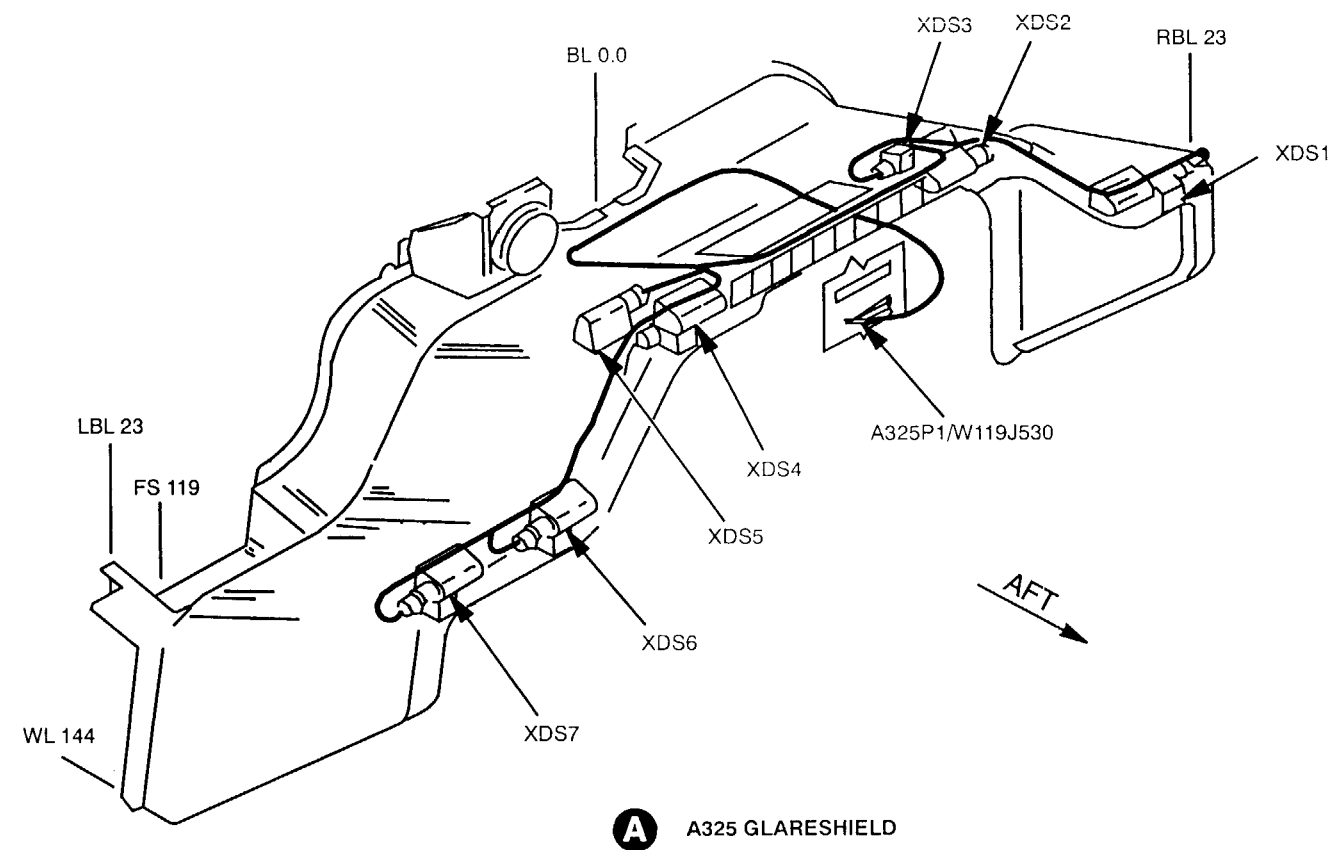
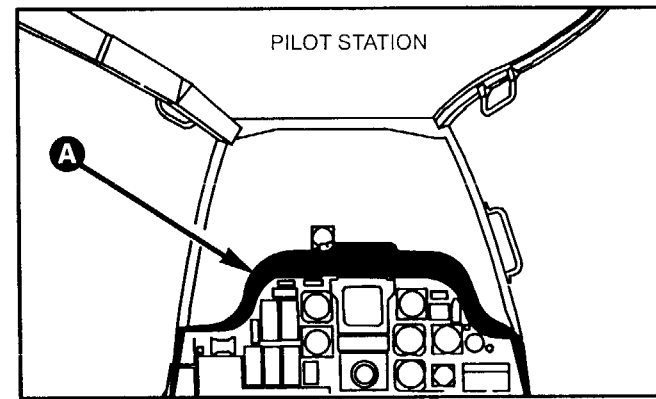
M50-178A



A A324 CPG RH GLARESHIELD

M50-179A

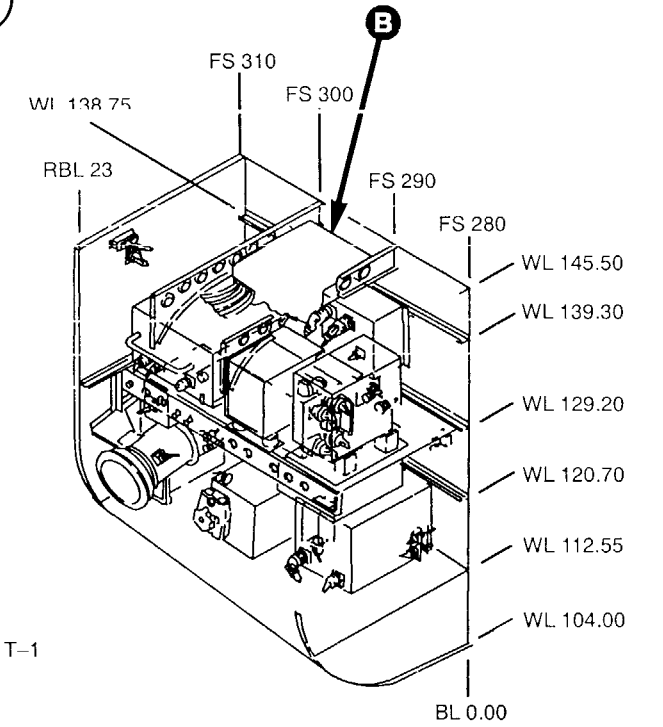
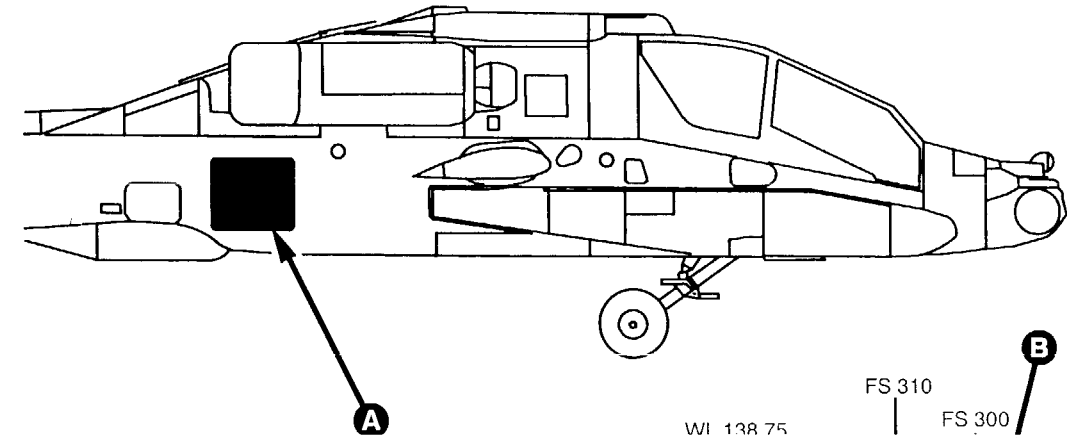
27-95. WIRE HARNESS W641



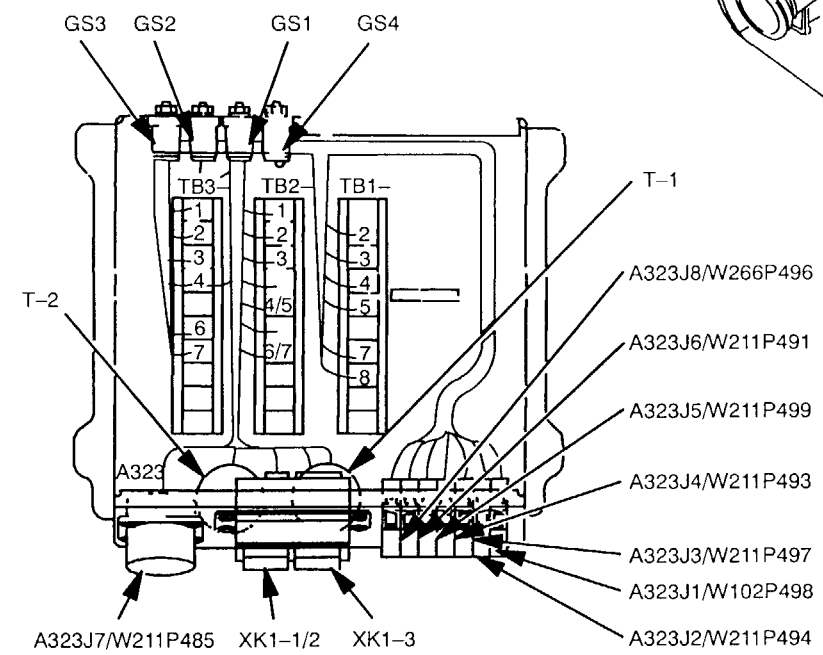
A A325 GLARESHIELD

27-96. WIRE HARNESS W642

27-95/27-96

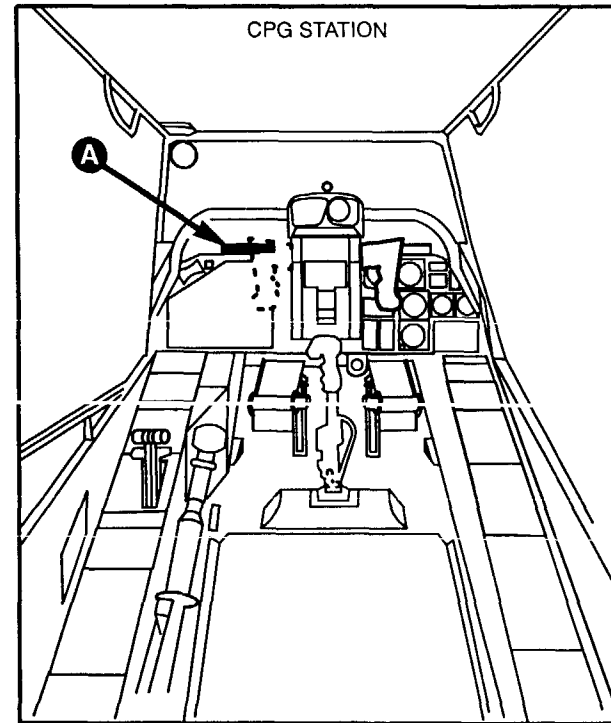


A AFT AVIONICS BAY



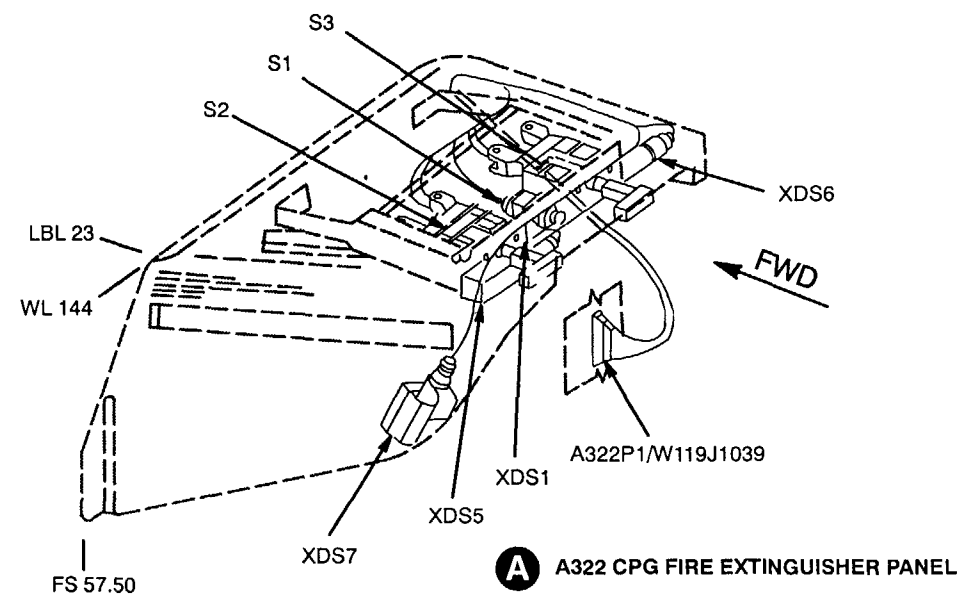
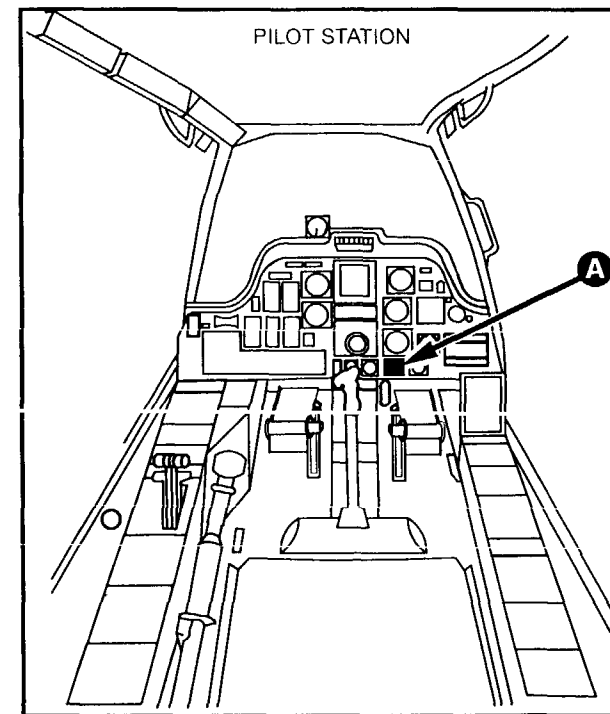
B A323 AFT AVIONICS BAY MATRIX MODULE

27-97. WIRE HARNESS W643

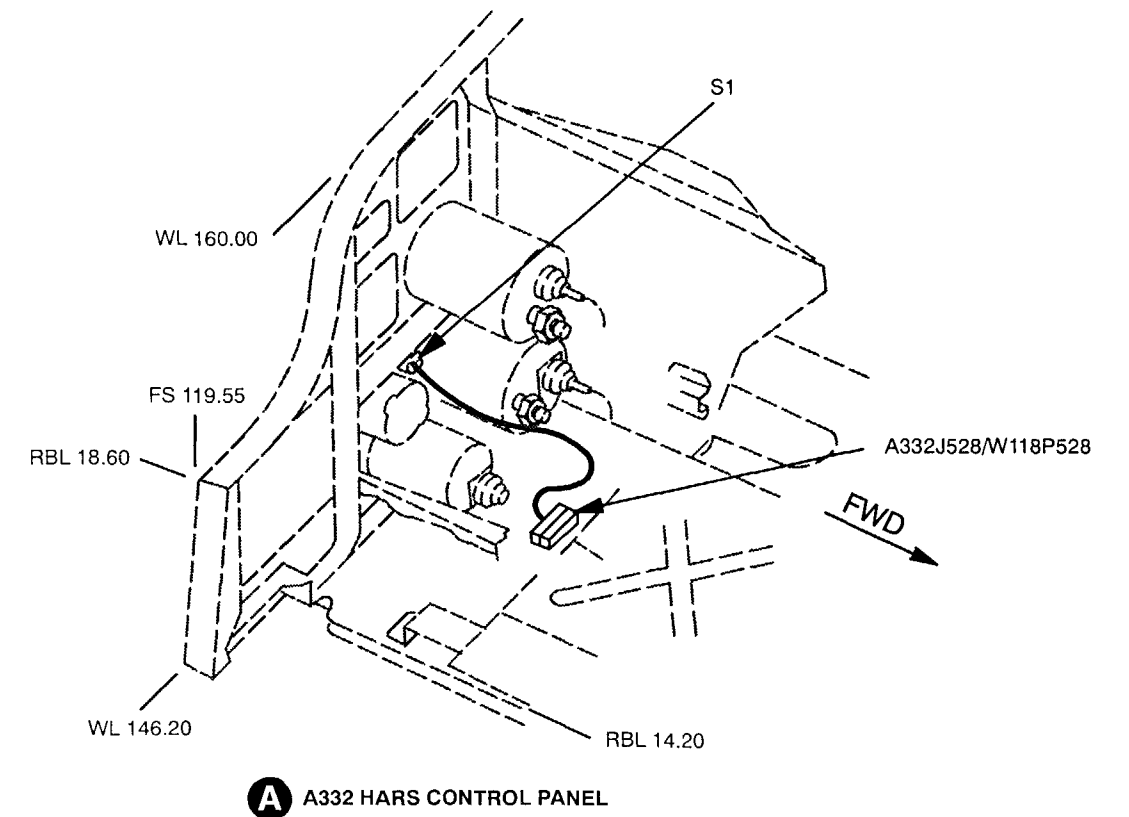


27-98. WIRE HARNESS W644

27-97/27-98

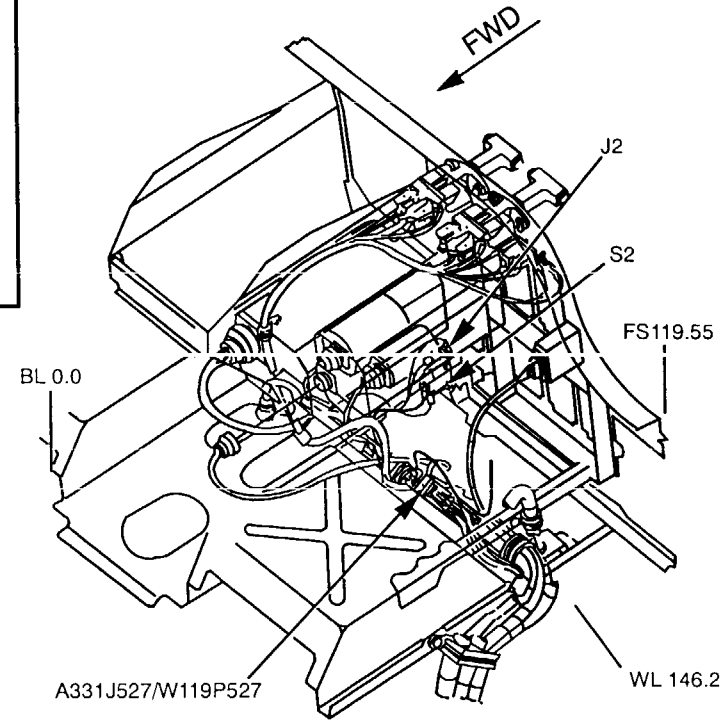
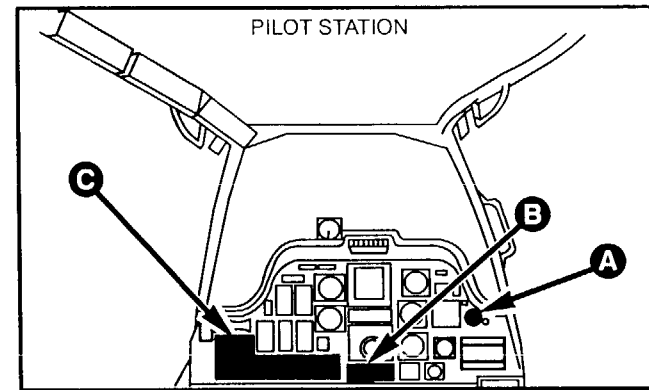


M50-182B

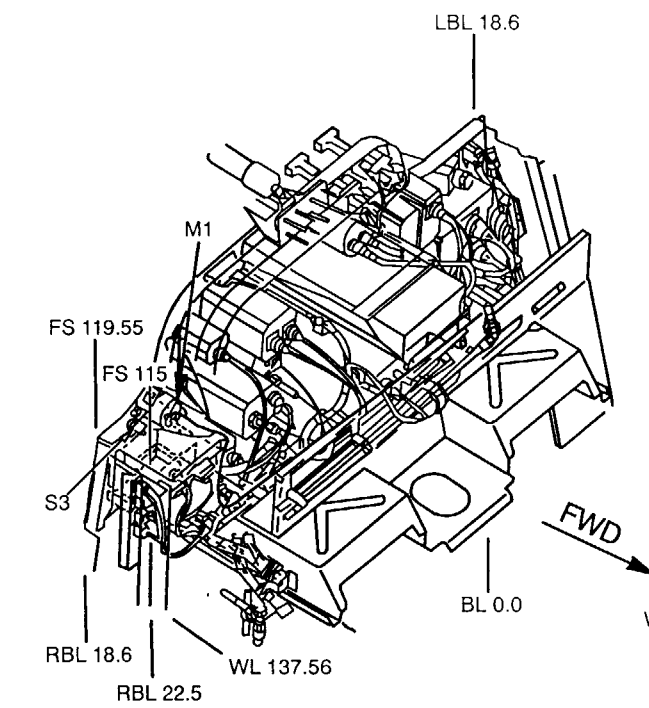


M50-183B

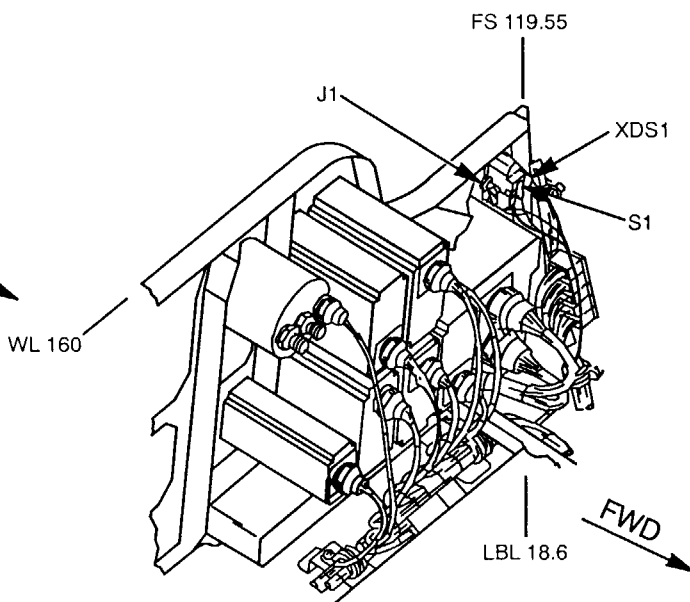
27-99. WIRE HARNESS W645



B A331 HYDRAULIC INDICATORS



A A331 ICING SEVERITY METER

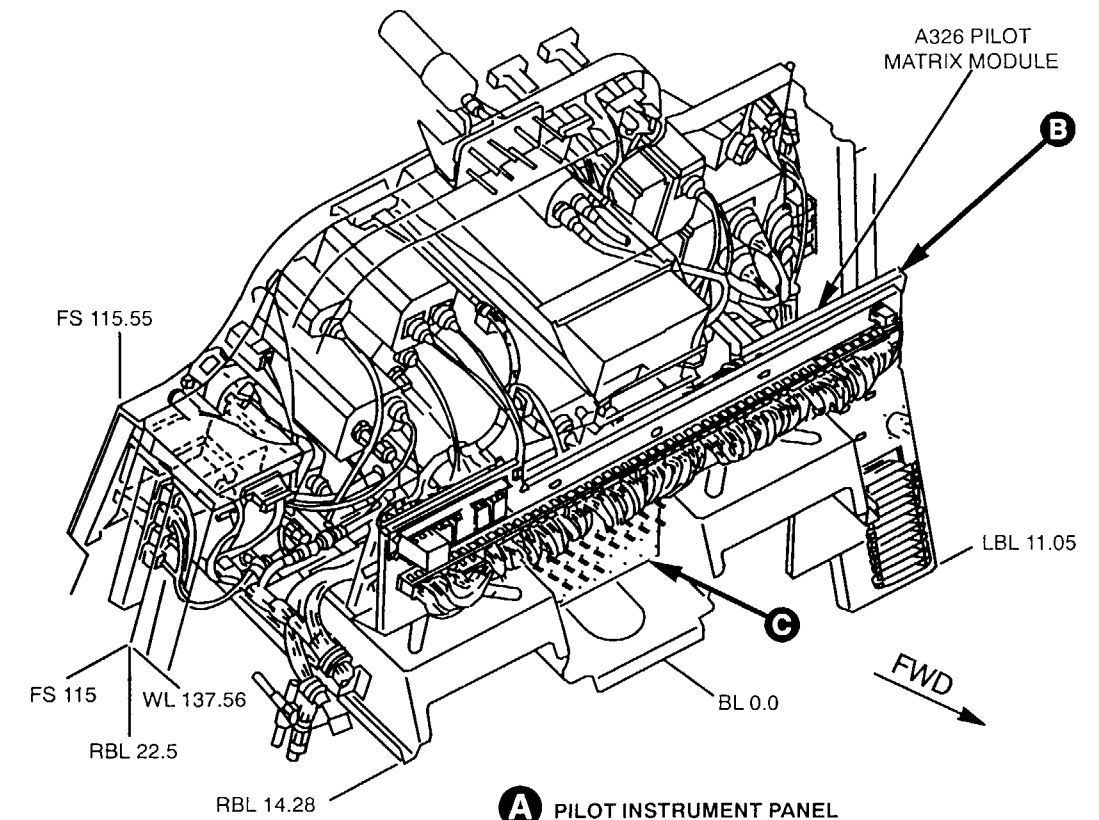
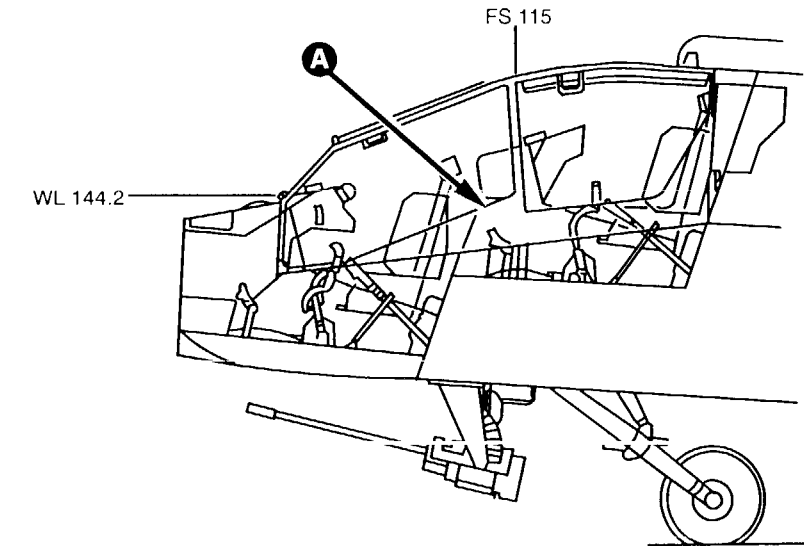


C A331 TAIL WHEEL LOCK PANEL

M50-184A

27-100. WIRE HARNESS W646

27-99/27-100

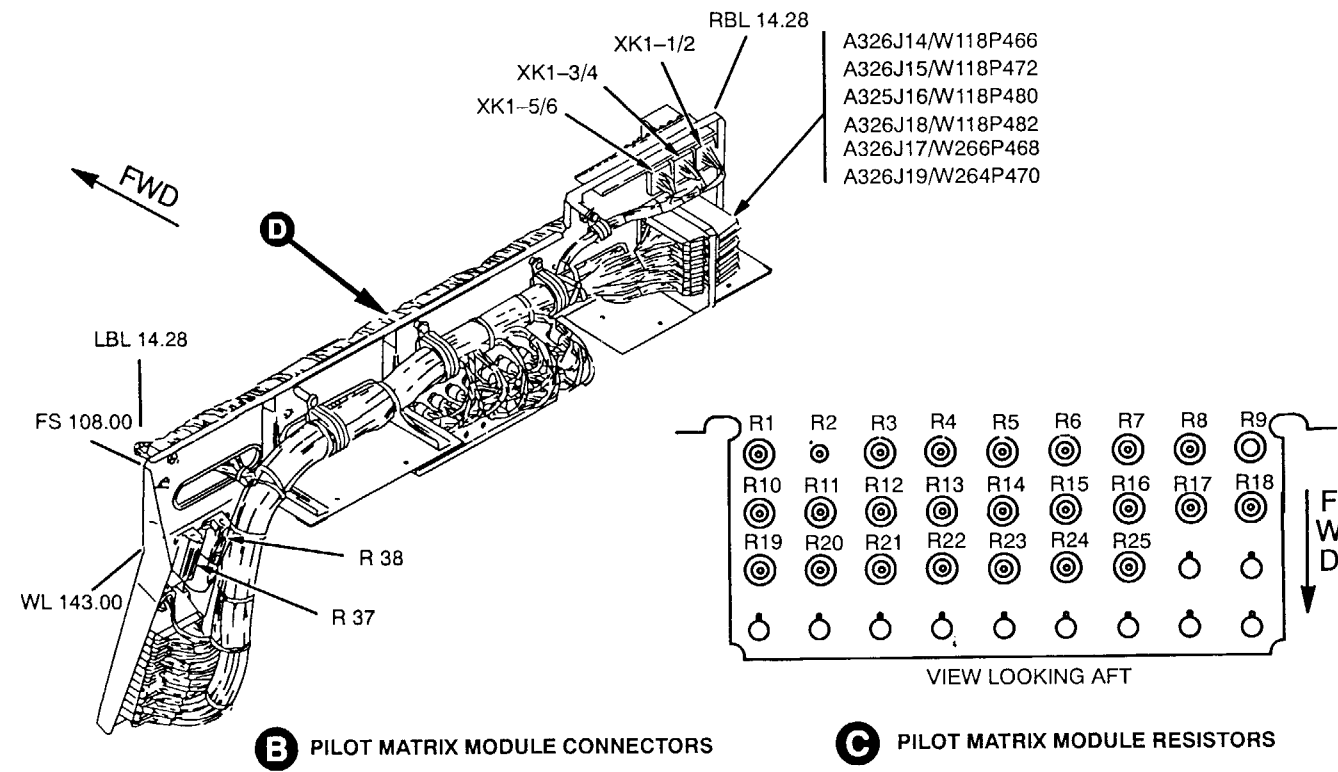
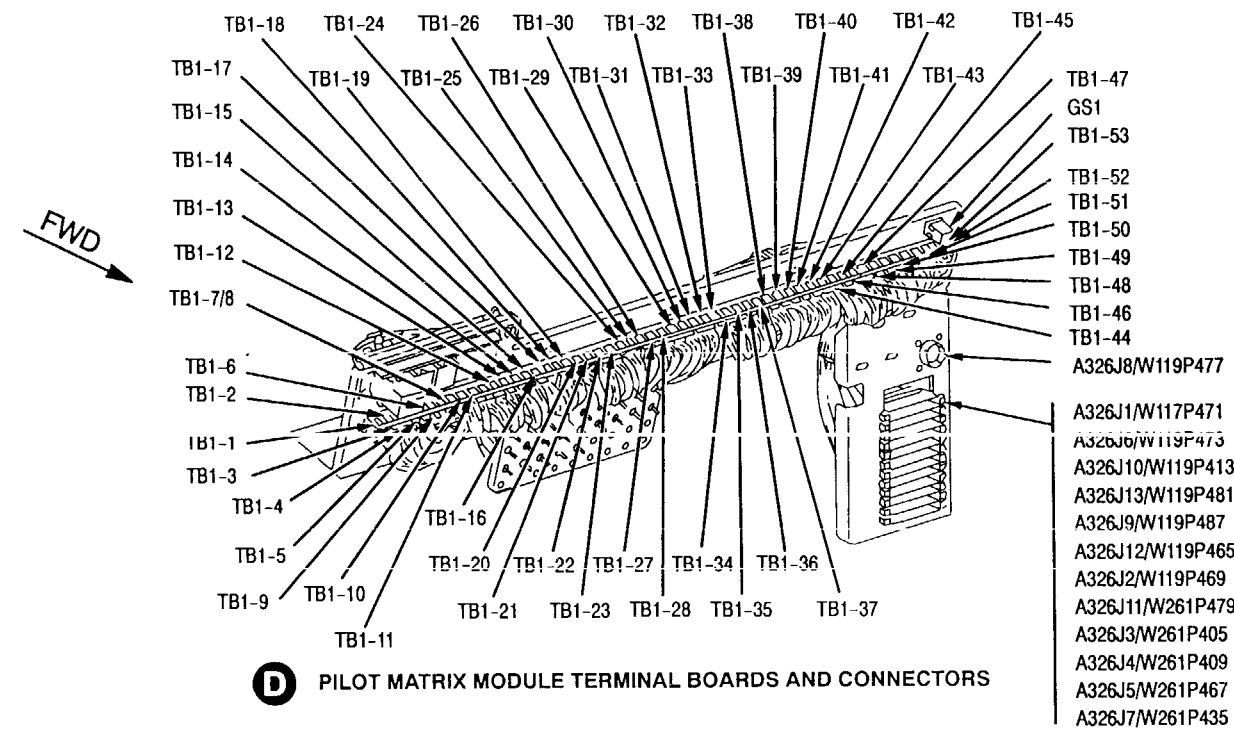


A PILOT INSTRUMENT PANEL

- NOTES:
1. SHEETS 1 AND 2 EFFECTIVE FOR HELICOPTERS SERIAL NO. 82-23355 THRU 84-24236.
 2. SHEETS 3 AND 4 EFFECTIVE FOR HELICOPTERS SERIAL NO. 84-24237 AND SUBSEQUENT.

M50-185-1A

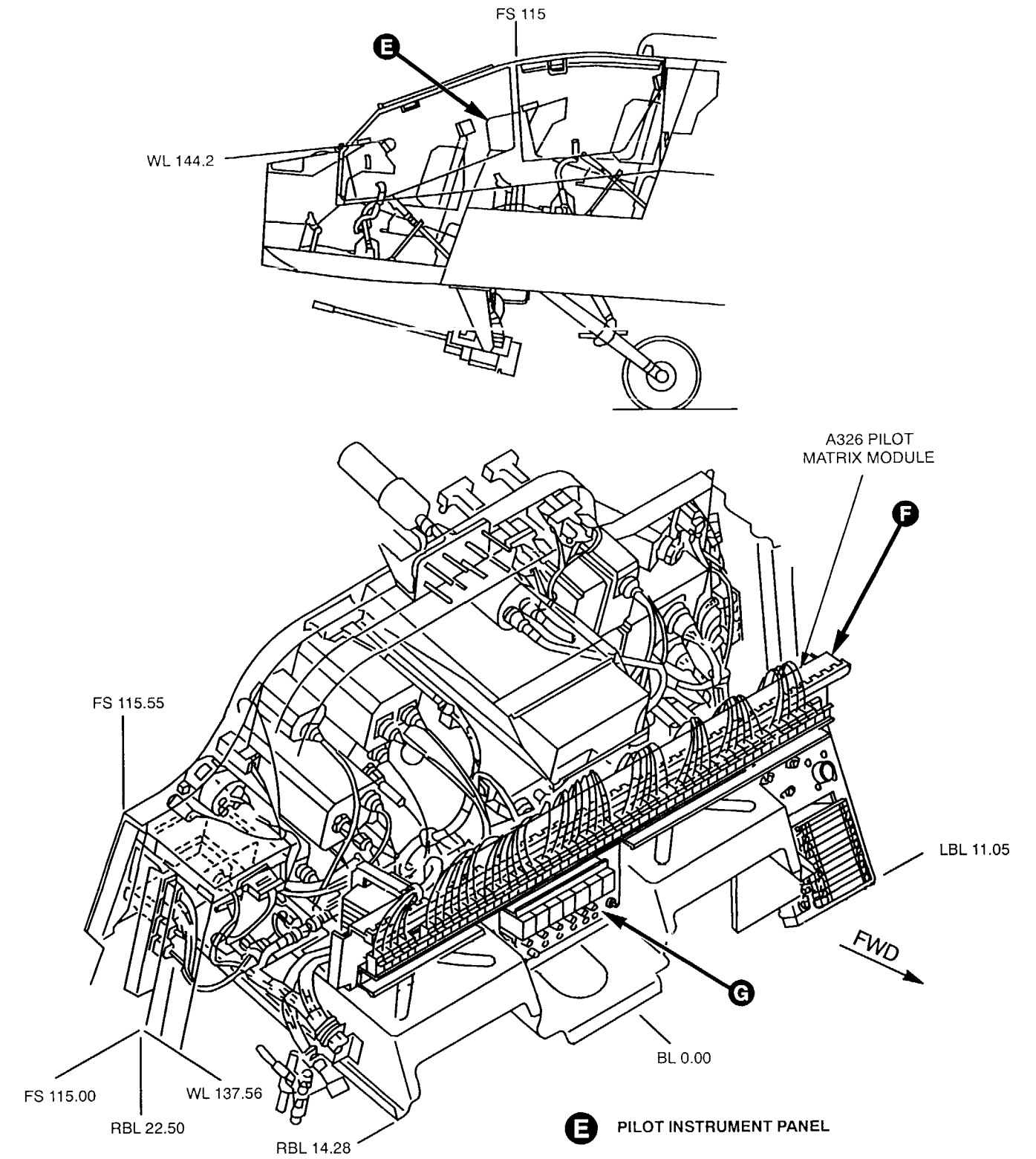
27-100. WIRE HARNESS W646 (cont)



(SEE NOTE 1 FOR EFFECTIVITY)

MM50-185-2A

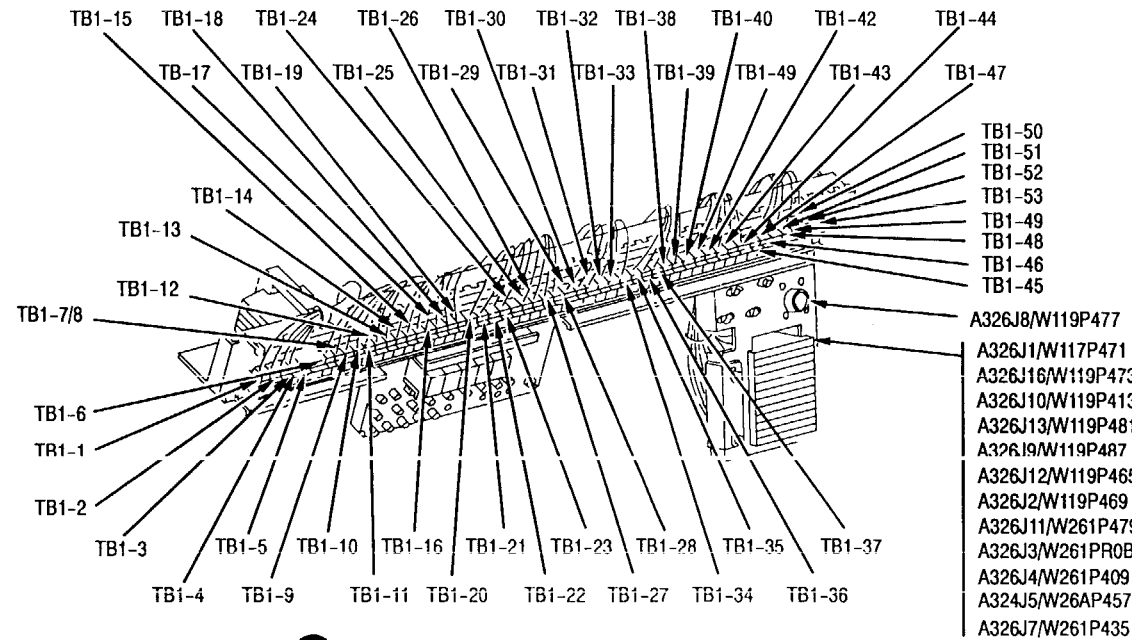
27-100. WIRE HARNESS W646 (cont)



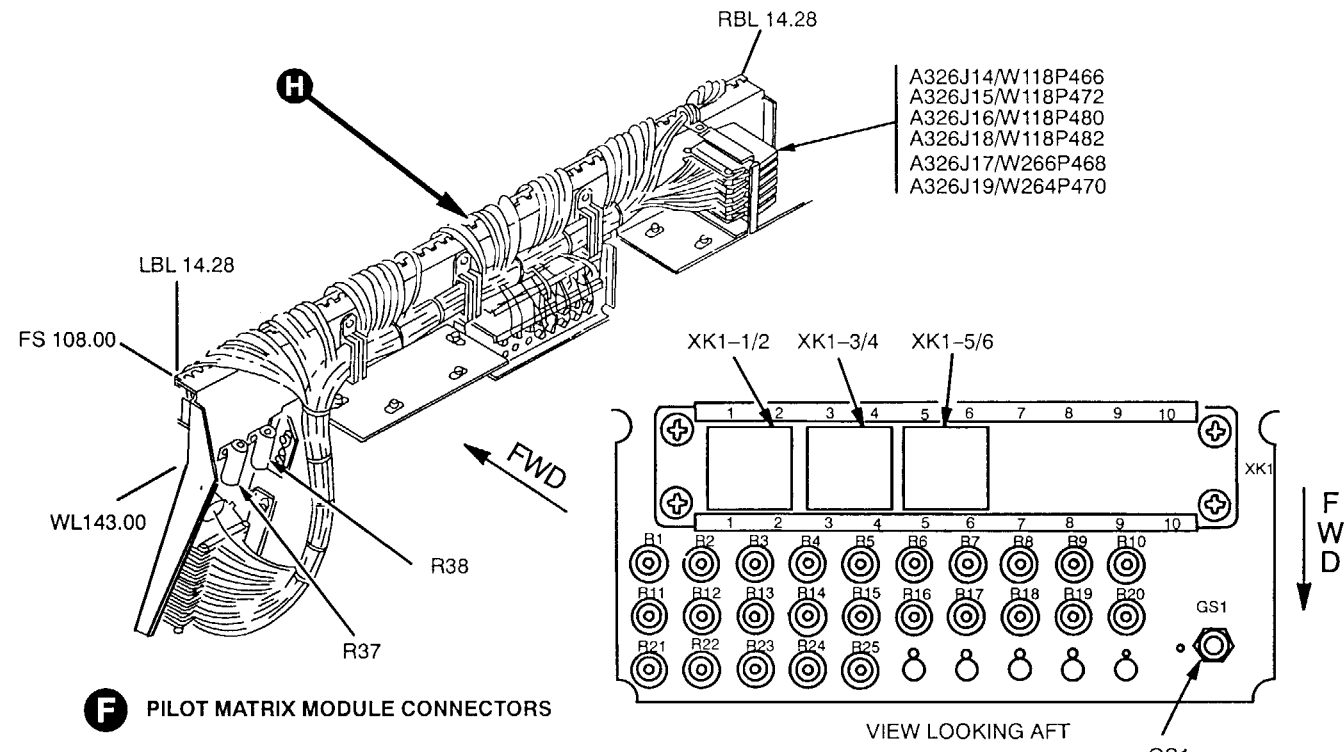
(SEE NOTE 2 FOR EFFECTIVITY)

M50-185-3

27-100. WIRE HARNESS W646 (cont)



H PILOT MATRIX TERMINAL BOARDS AND CONNECTORS



F PILOT MATRIX MODULE CONNECTORS

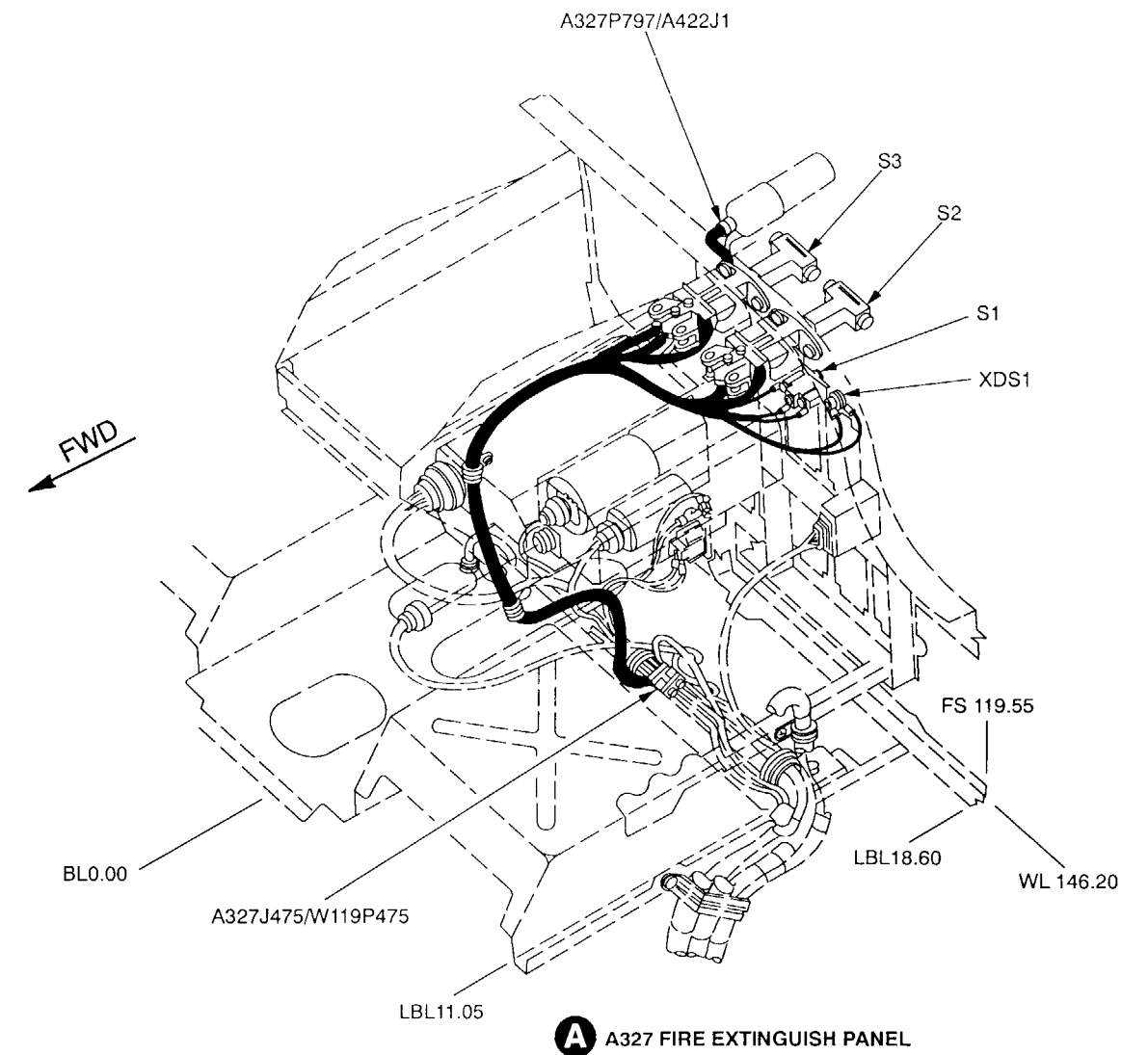
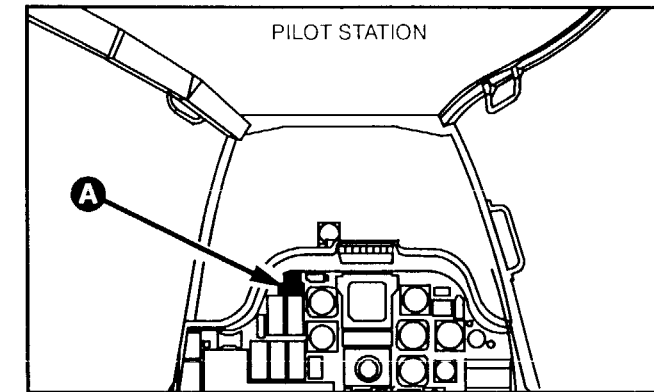
G PILOT MATRIX MODULE RESISTORS AND RELAYS

(SEE NOTE 2 FOR EFFECTIVITY)

M50-185-4A

27-101. WIRE HARNESS W647

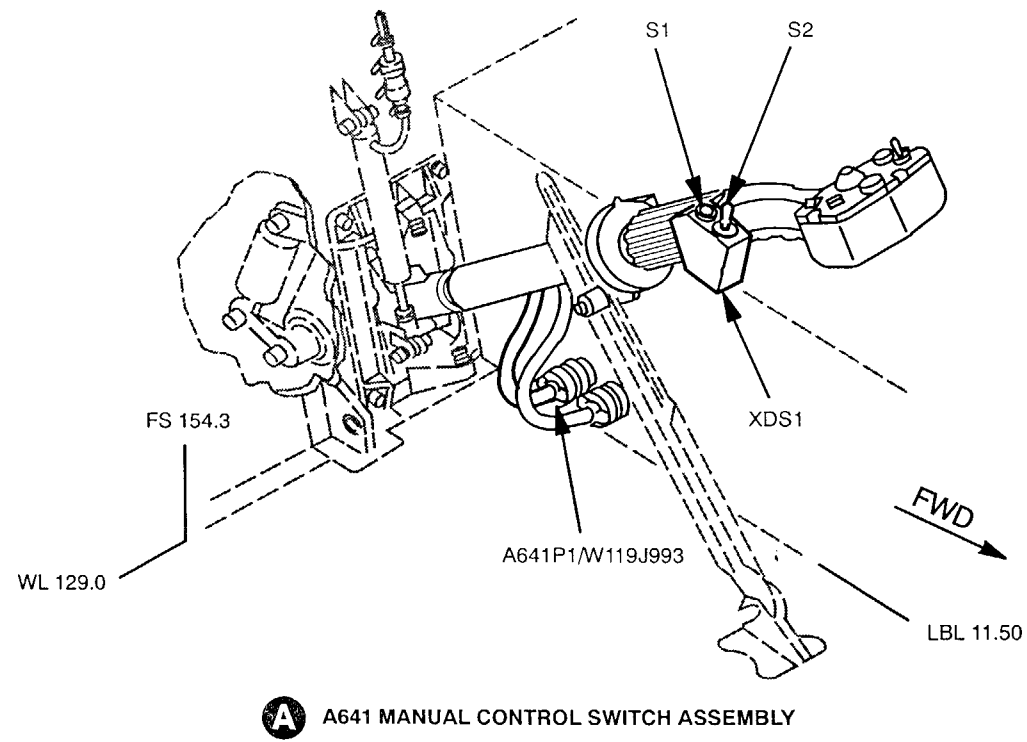
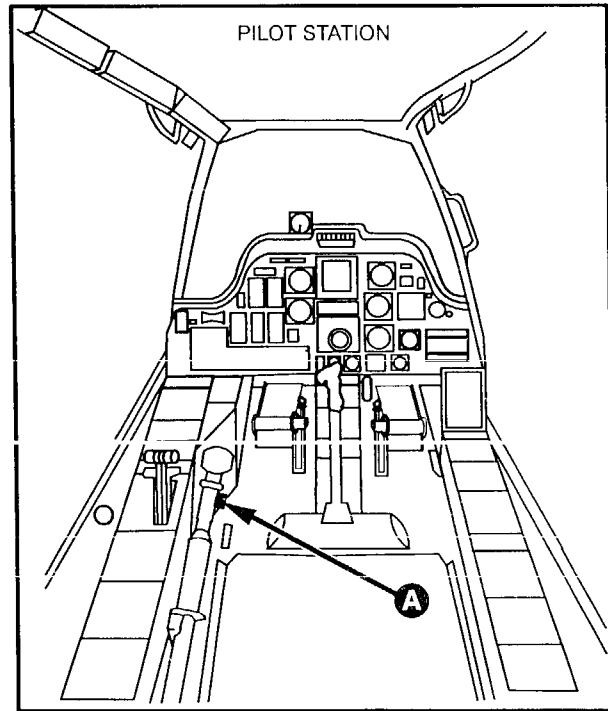
27-100/27-101



A A327 FIRE EXTINGUISH PANEL

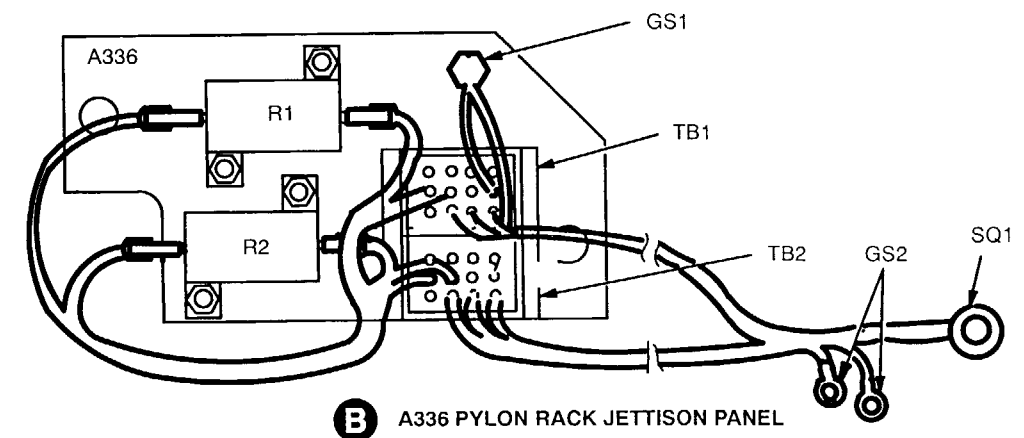
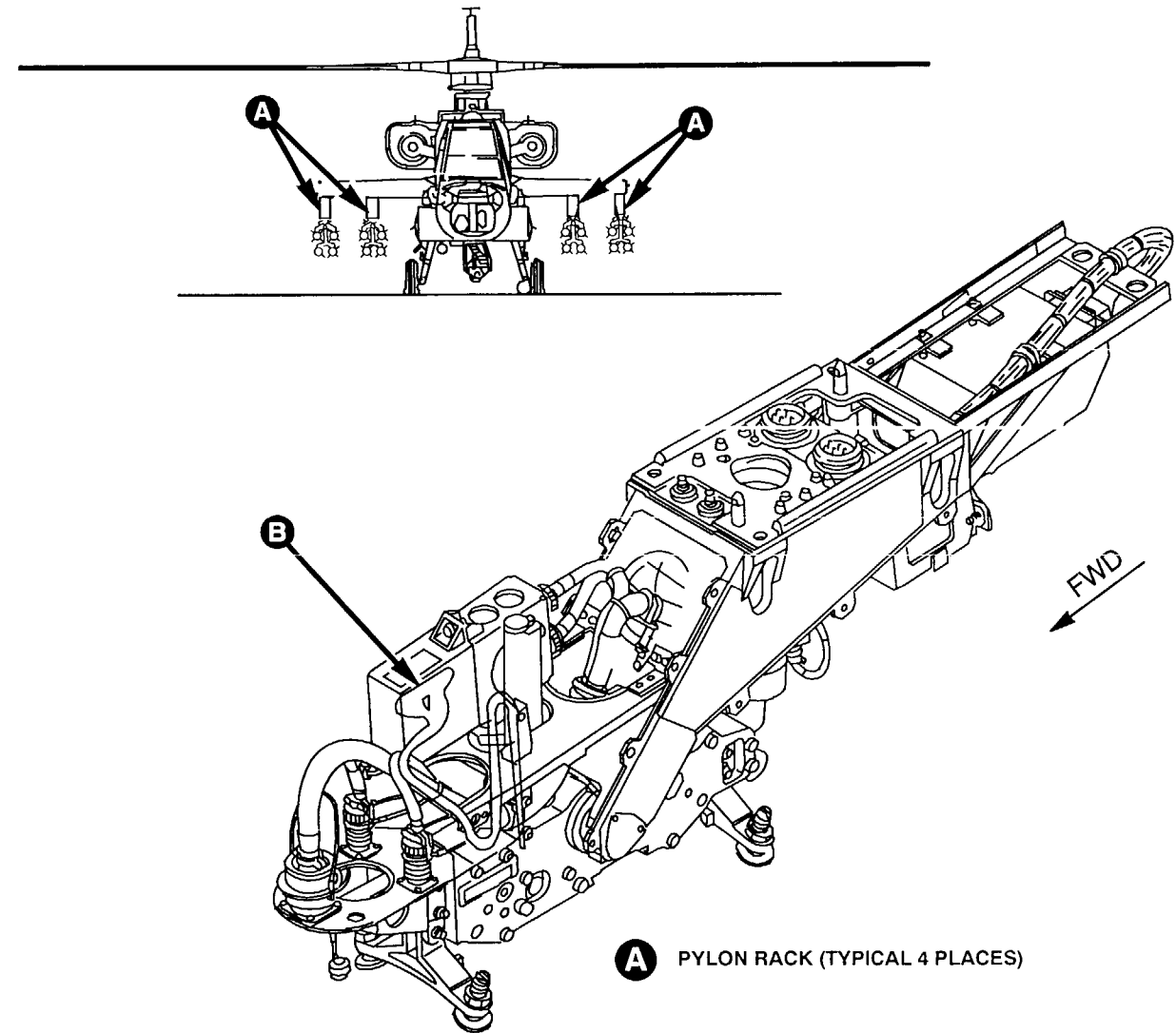
M50-186B

27-102. WIRE HARNESS W648



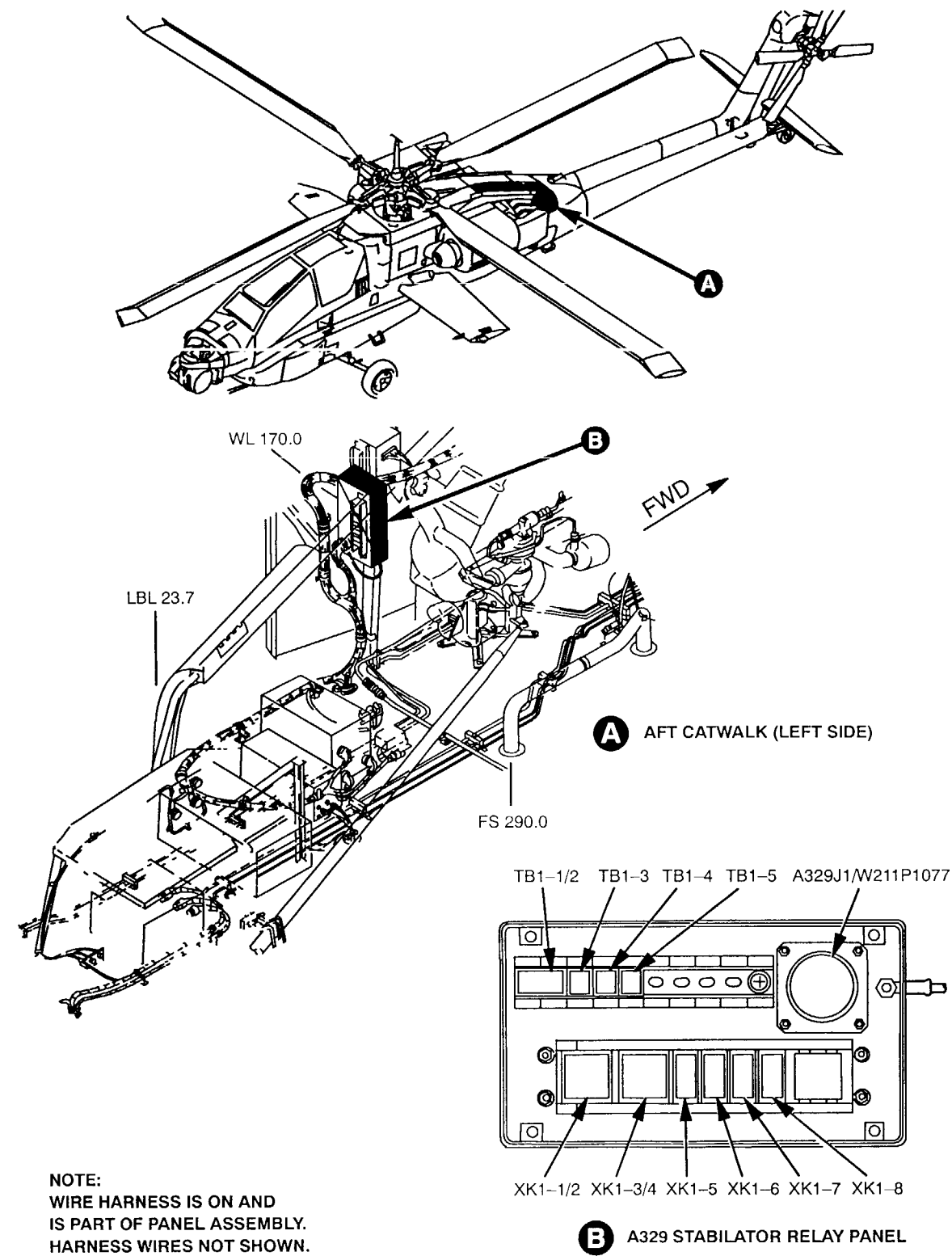
M50-187B

27-103. WIRE HARNESS W650



M50-188

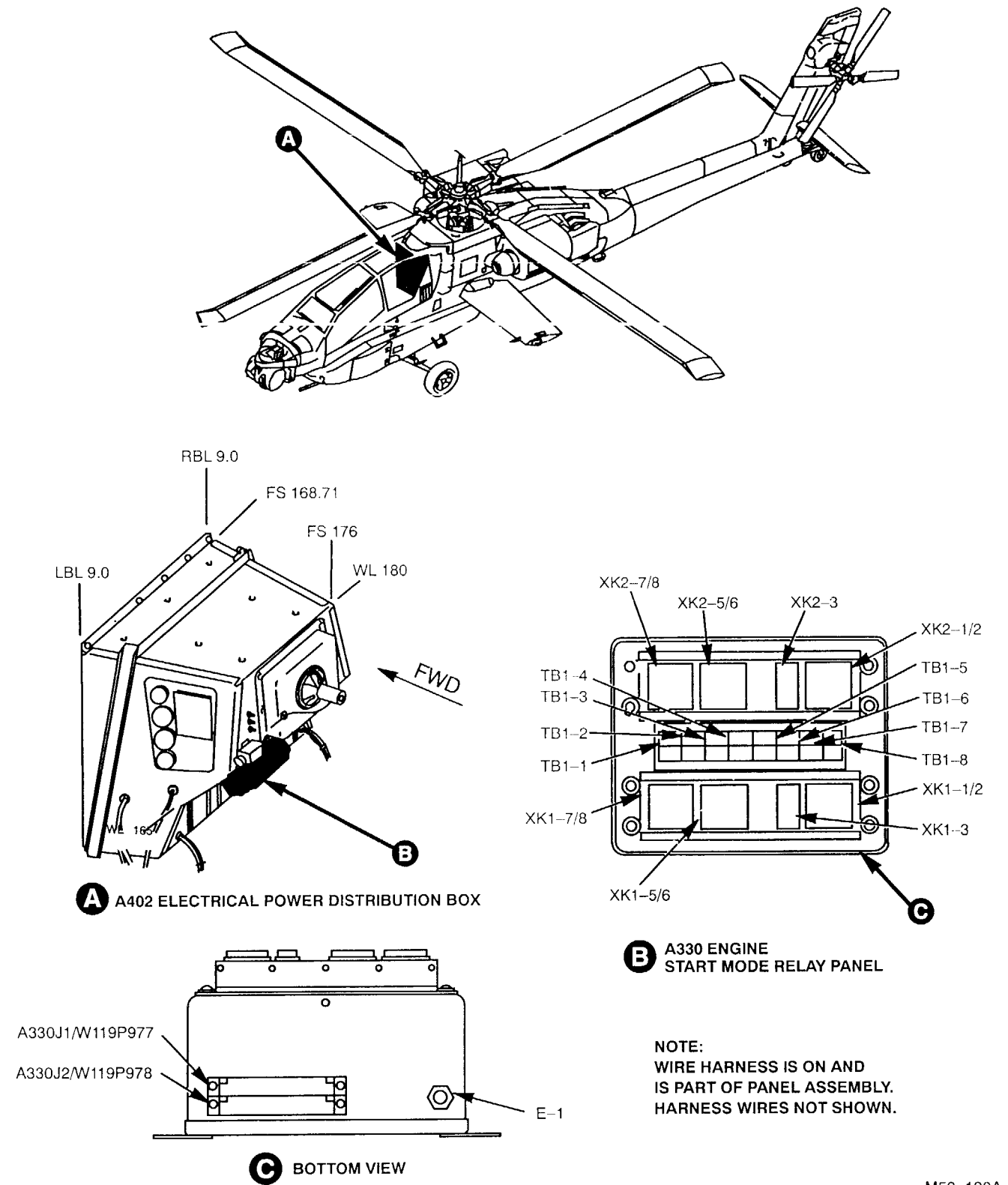
27-104. WIRE HARNESS W651



M50-189A

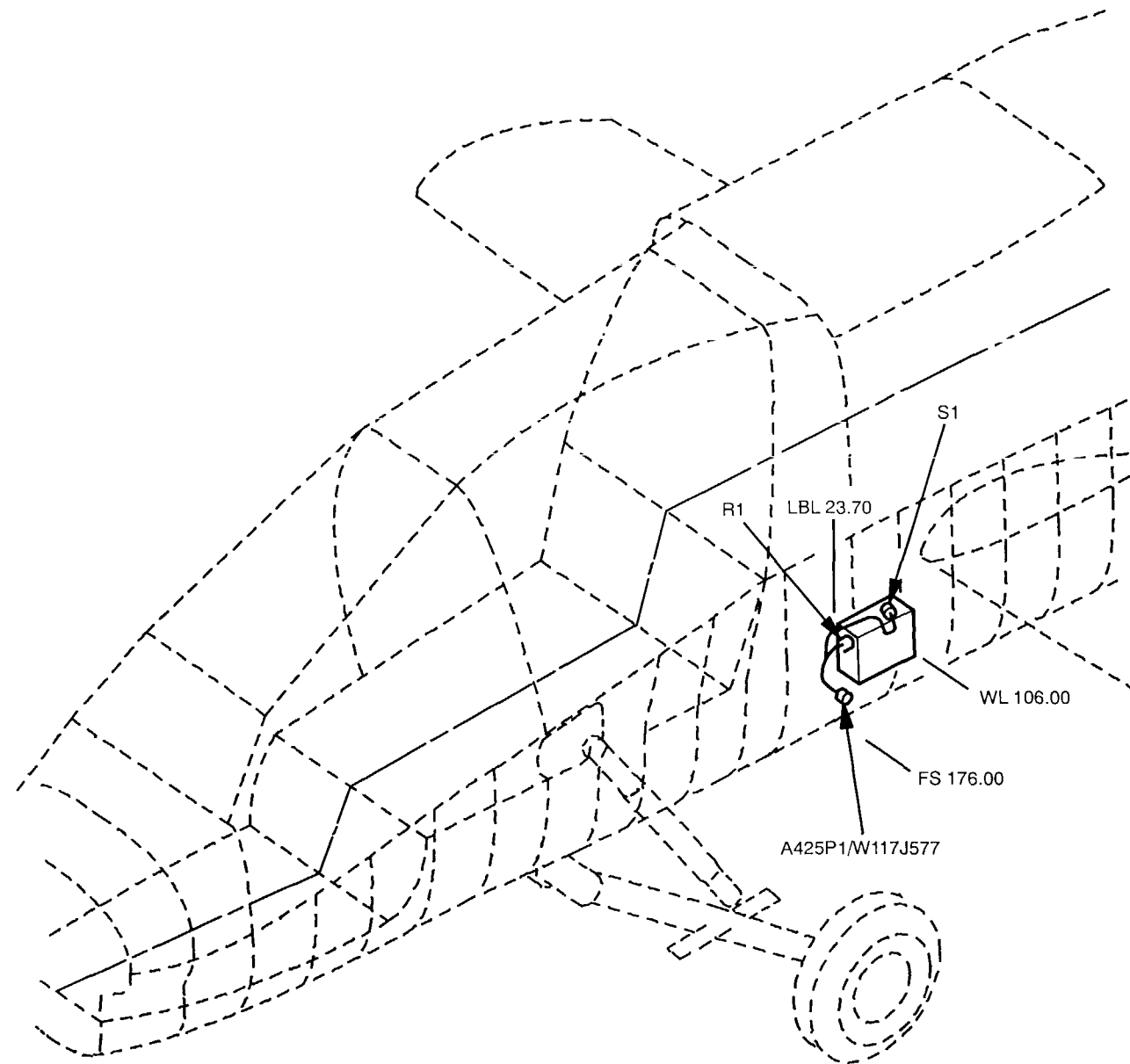
27-105. WIRE HARNESS W652

27-104/27-105



M50-190A

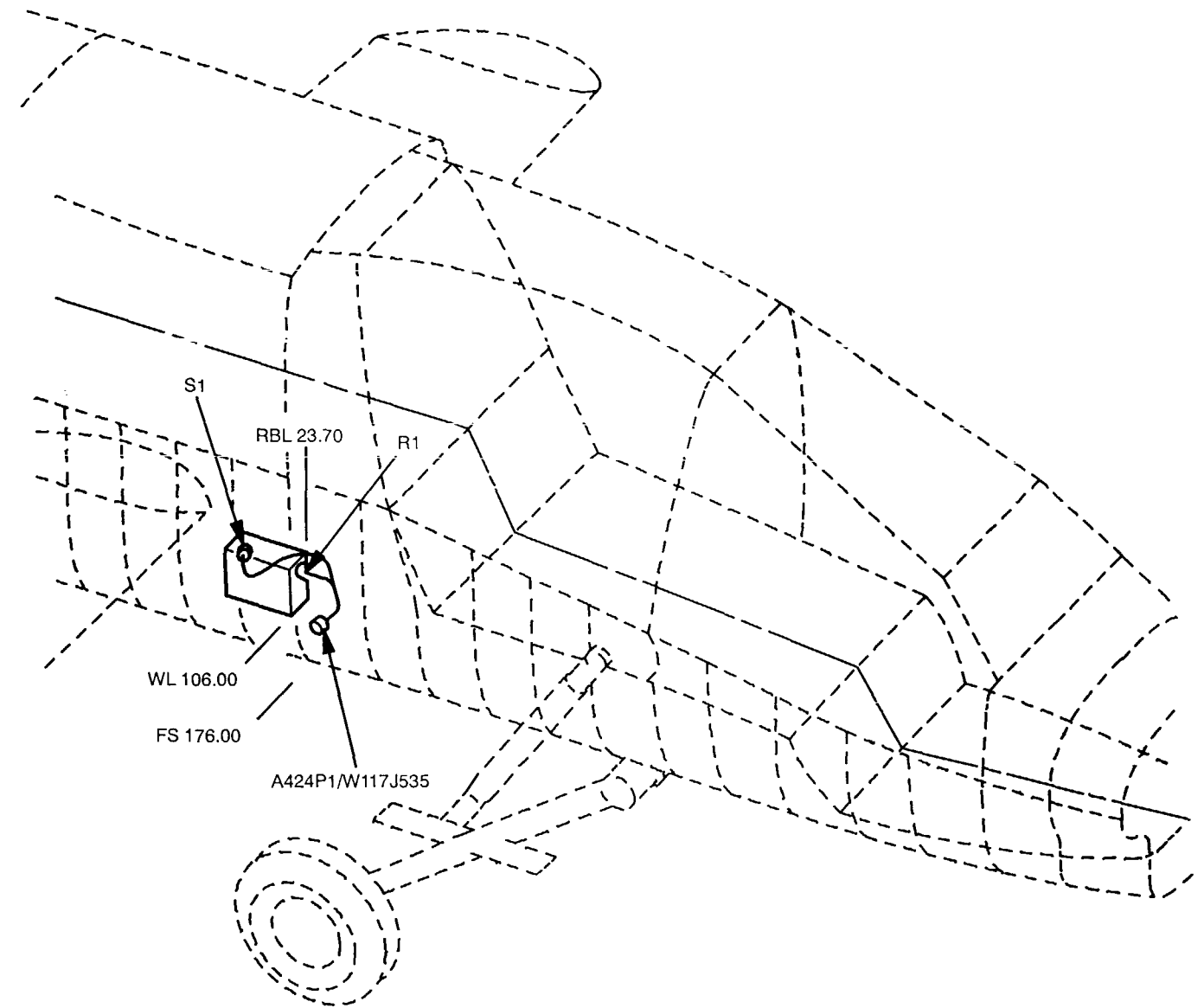
27-106. WIRE HARNESS W653



M50-191

27-107. WIRE HARNESS W654

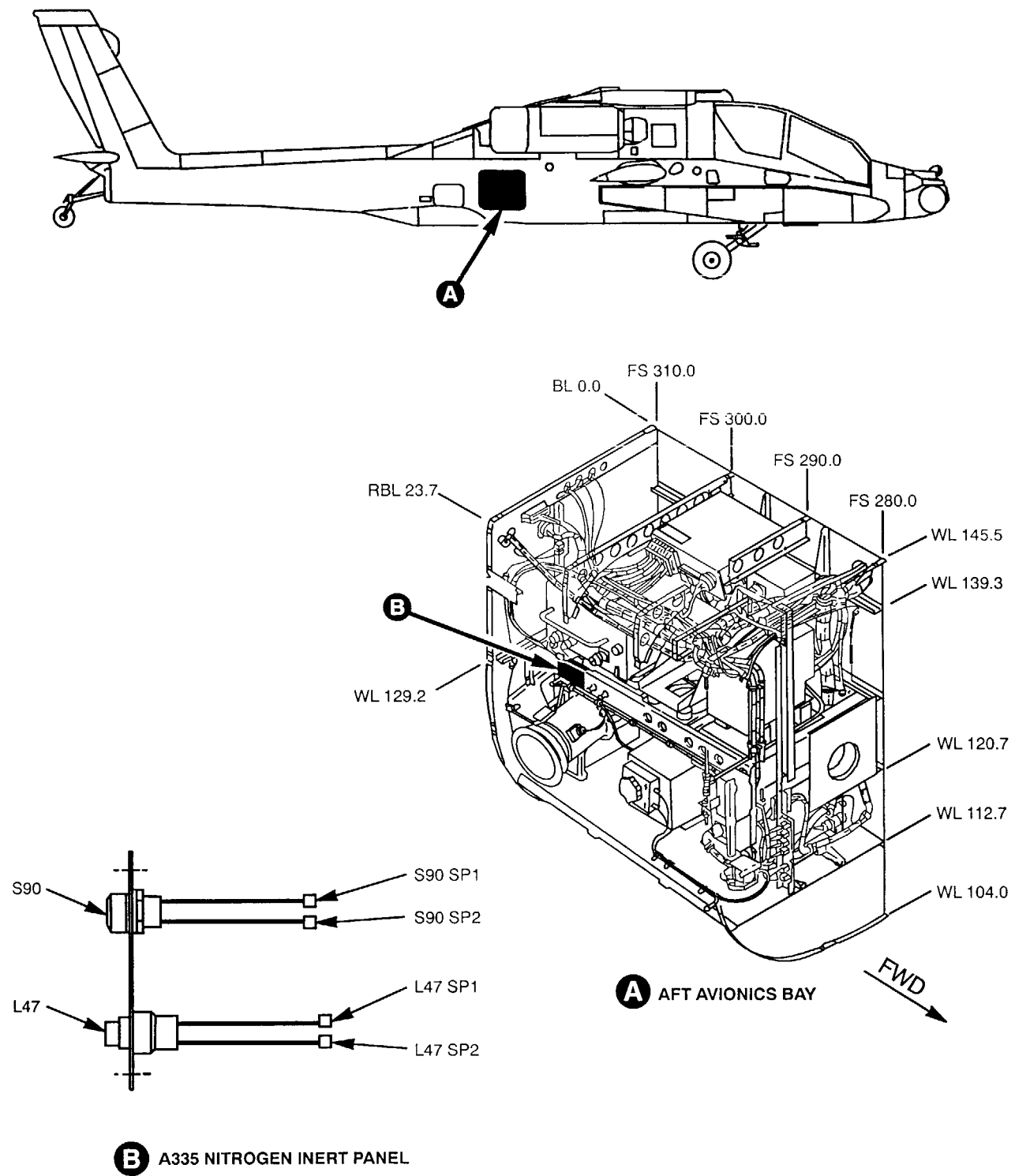
27-106/27-107



M50-192A

27-108. WIRE HARNESS W655

27-108/27-109

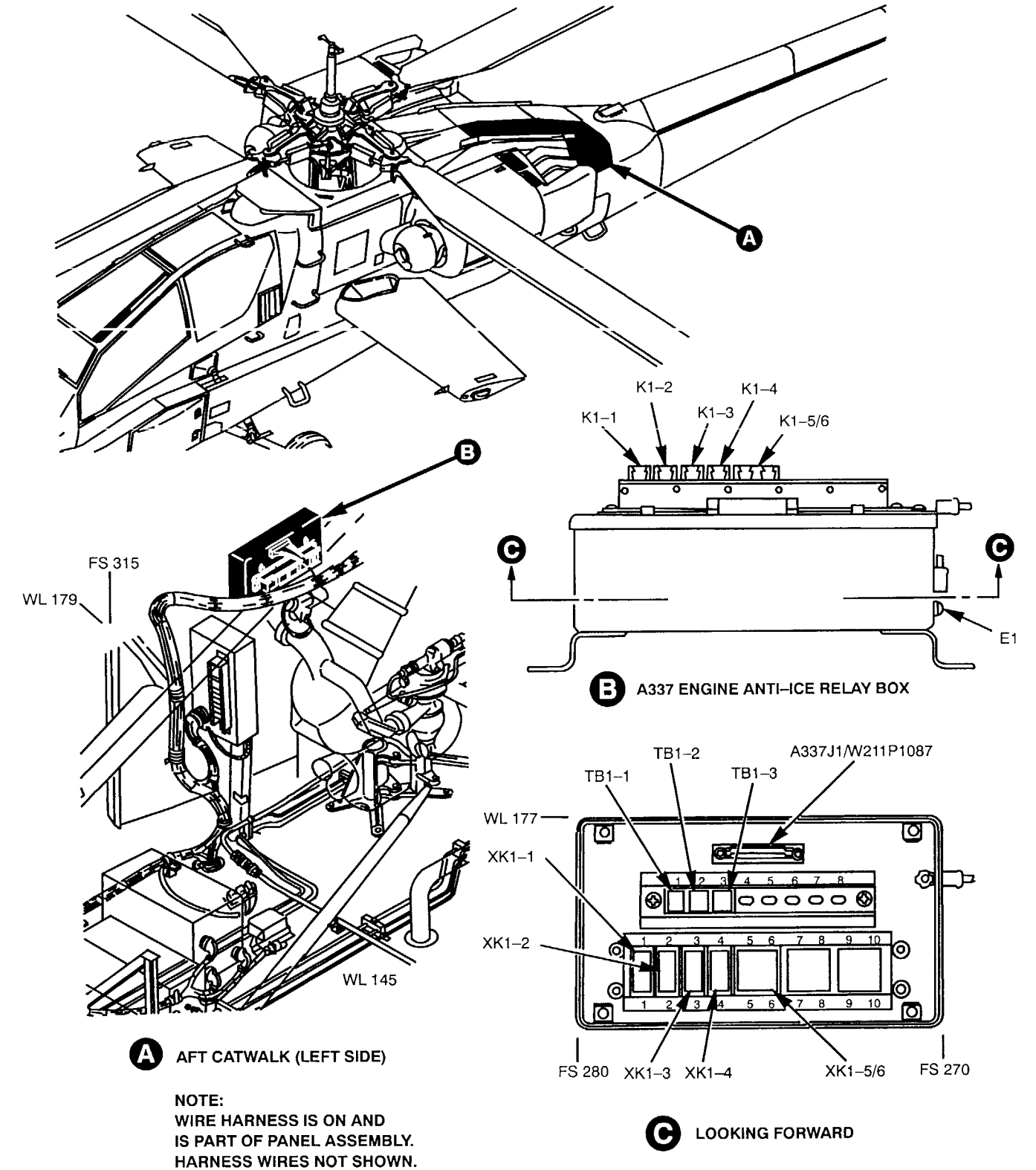


A AFT AVIONICS BAY

B A335 NITROGEN INERT PANEL

MM50-193A

27-109. WIRE HARNESS W656

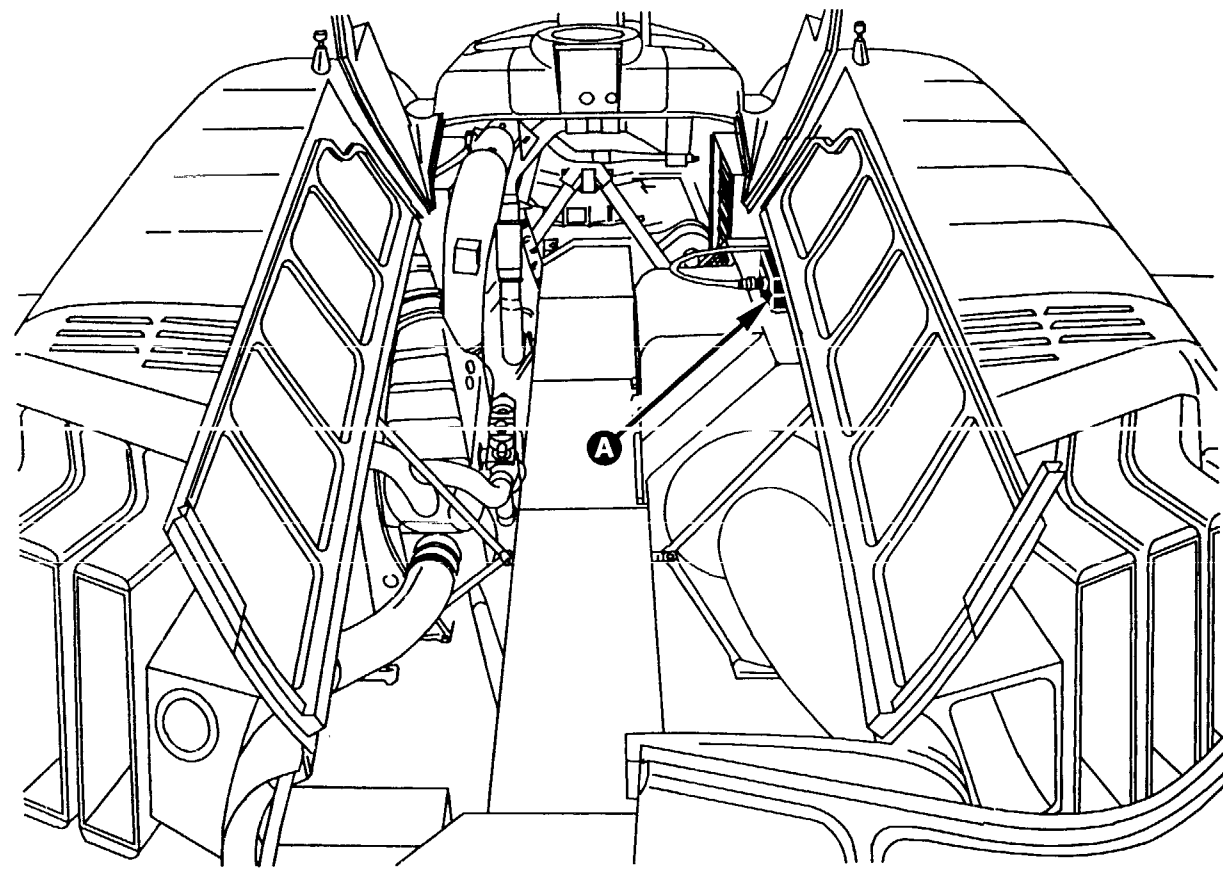


A AFT CATWALK (LEFT SIDE)

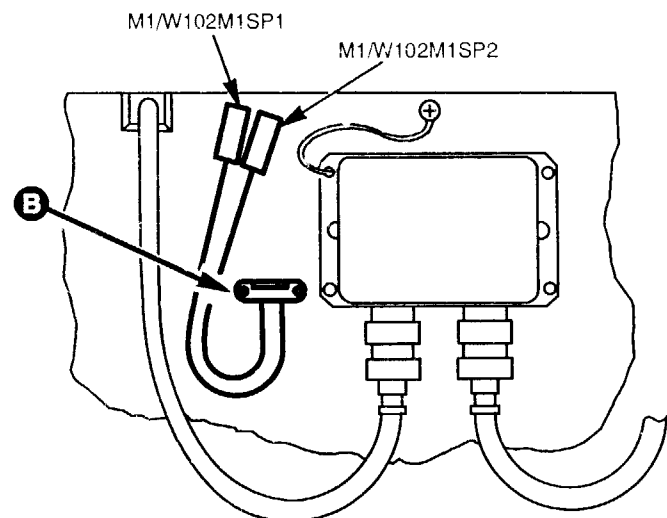
B A337 ENGINE ANTI-ICE RELAY BOX

C LOOKING FORWARD

M50-194A



AFT CATWALK

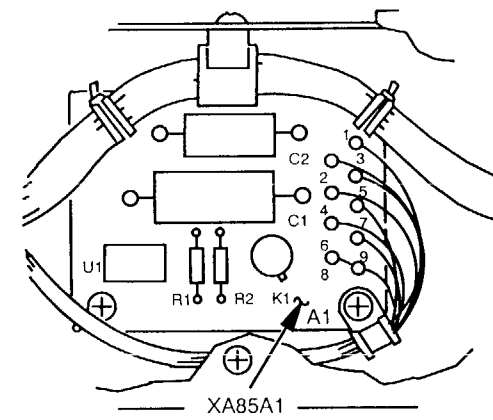


FWD

A A6 APU SPEED ELECTRONICS CONTROLLER

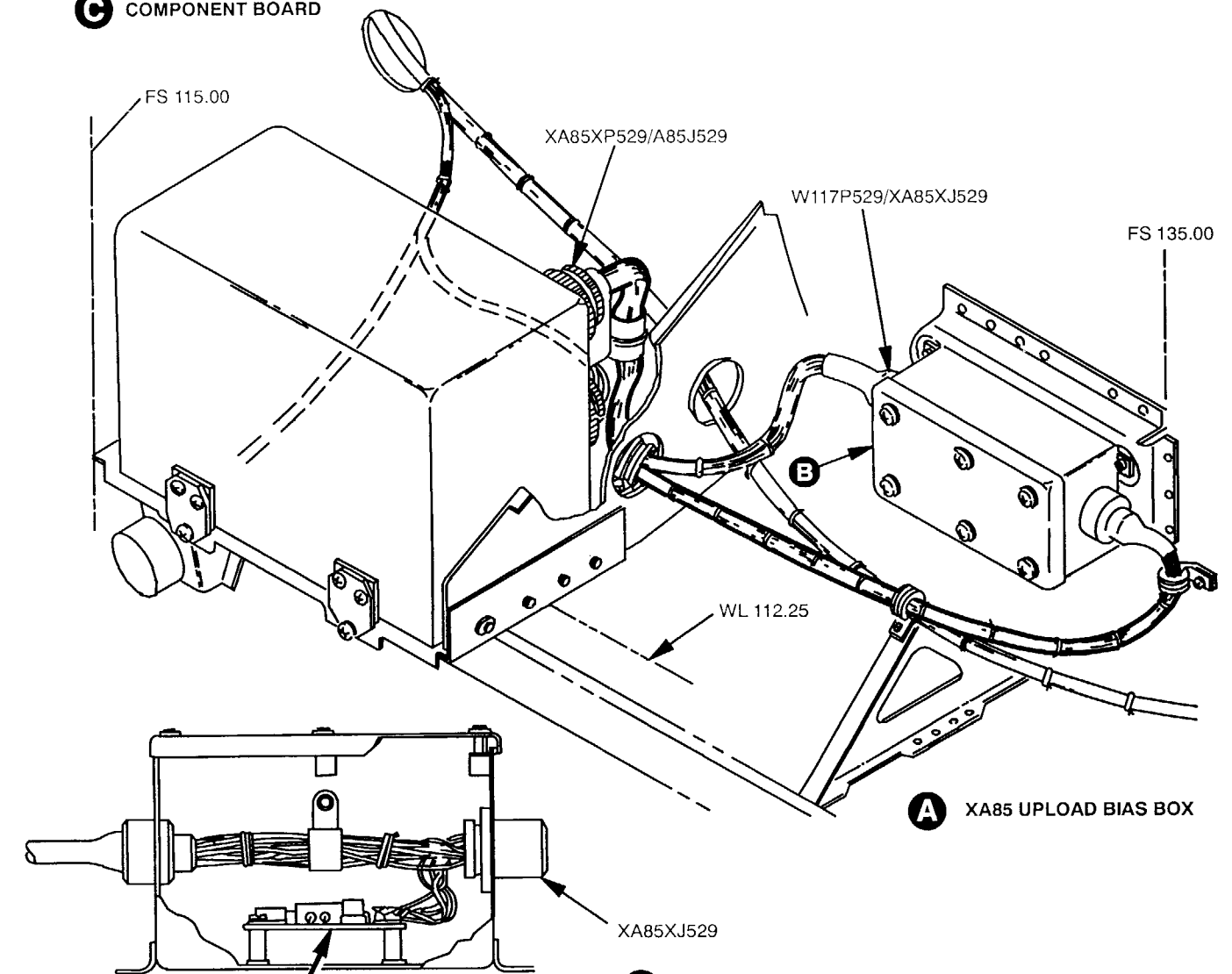
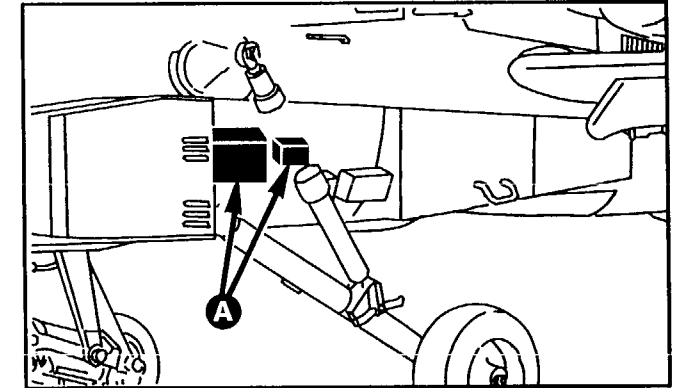
B A338 APU ELAPSED TIME INDICATOR

M50-195A



XA85A1

C COMPONENT BOARD

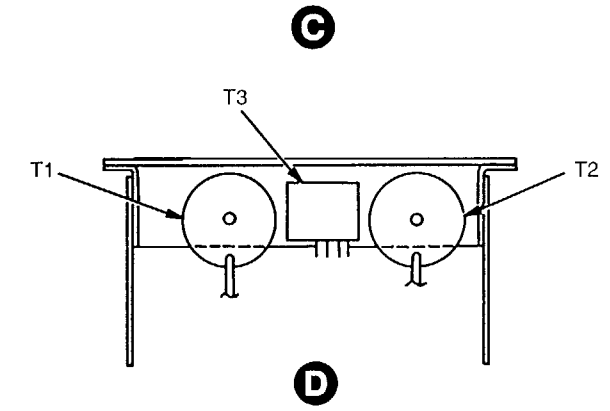
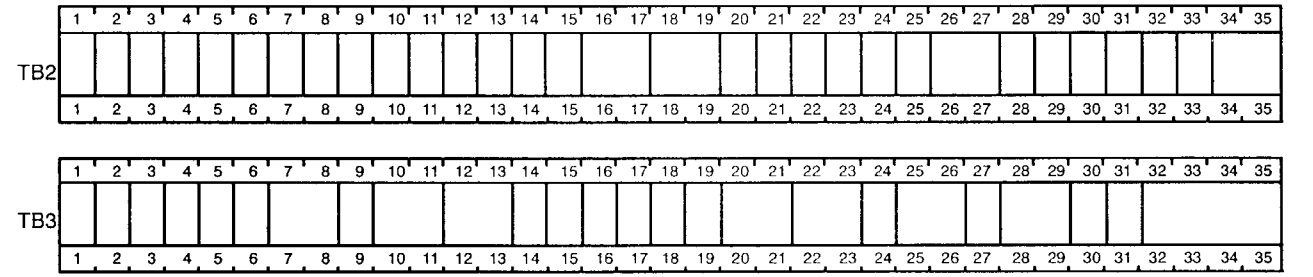
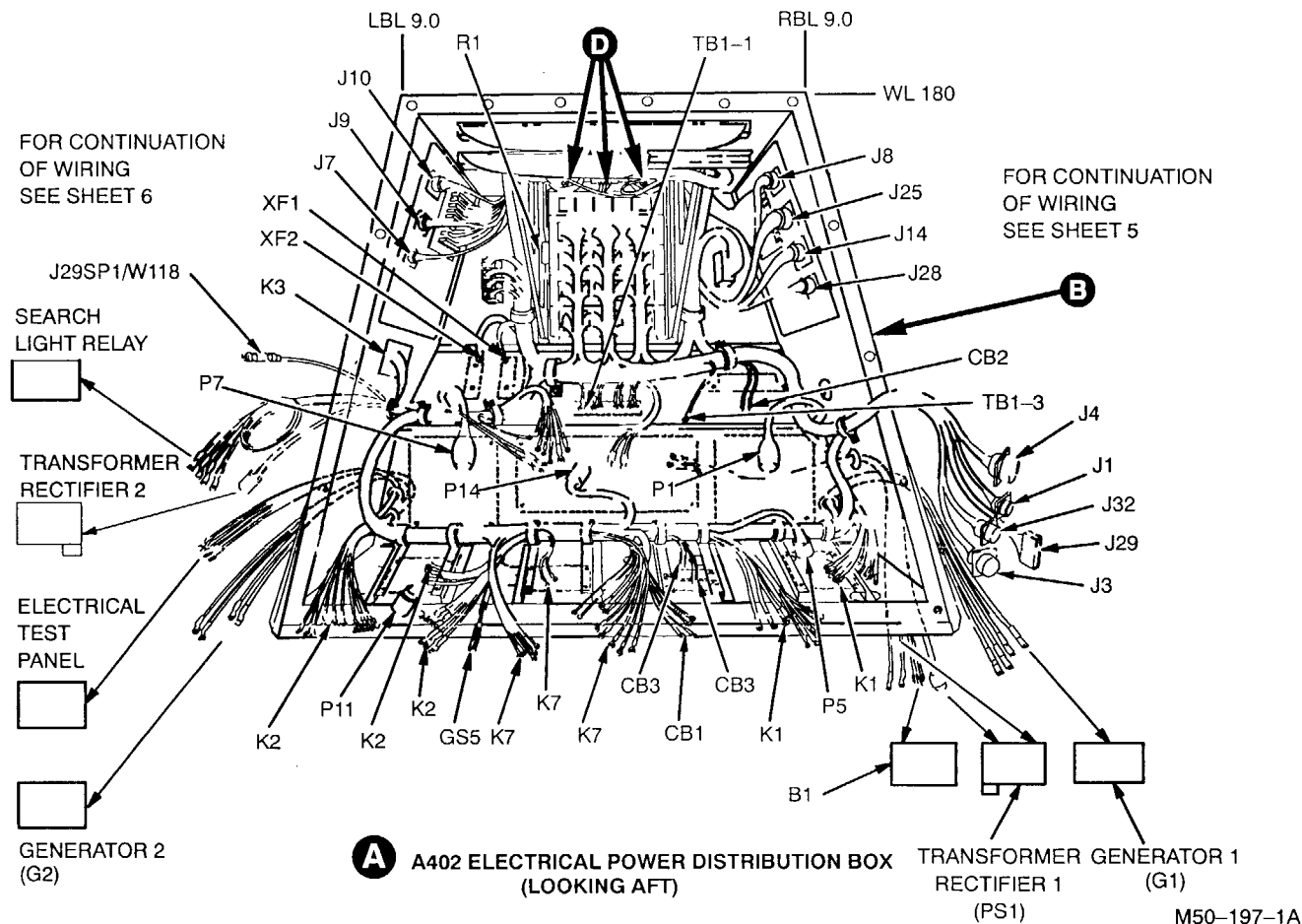
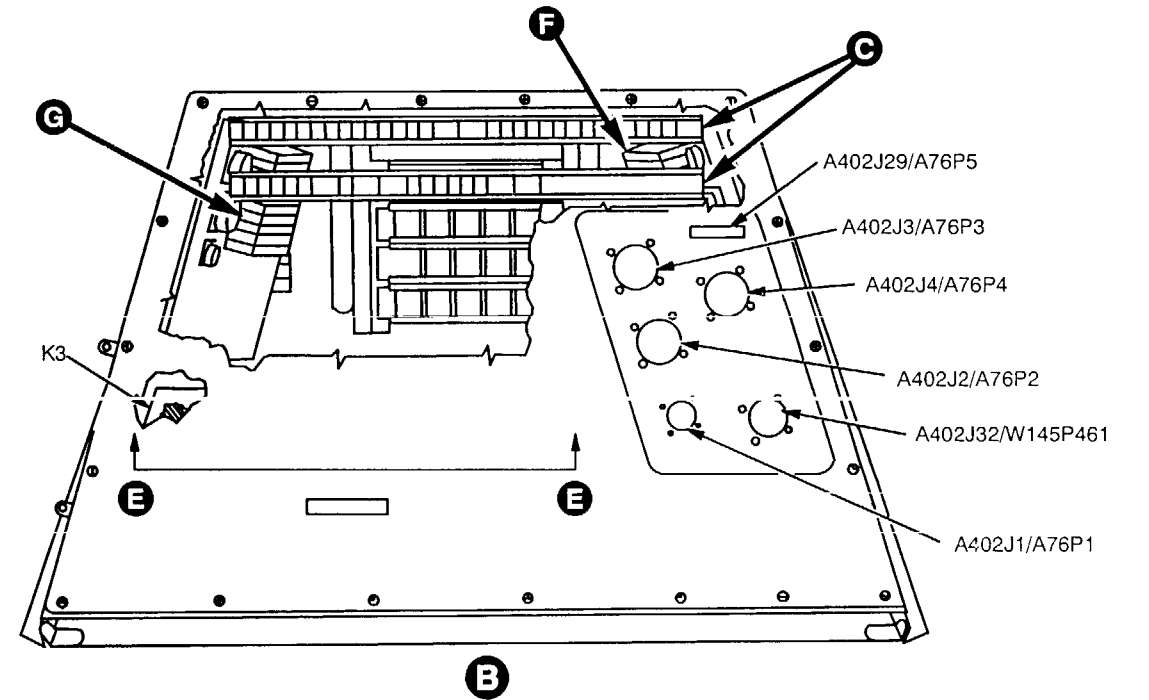
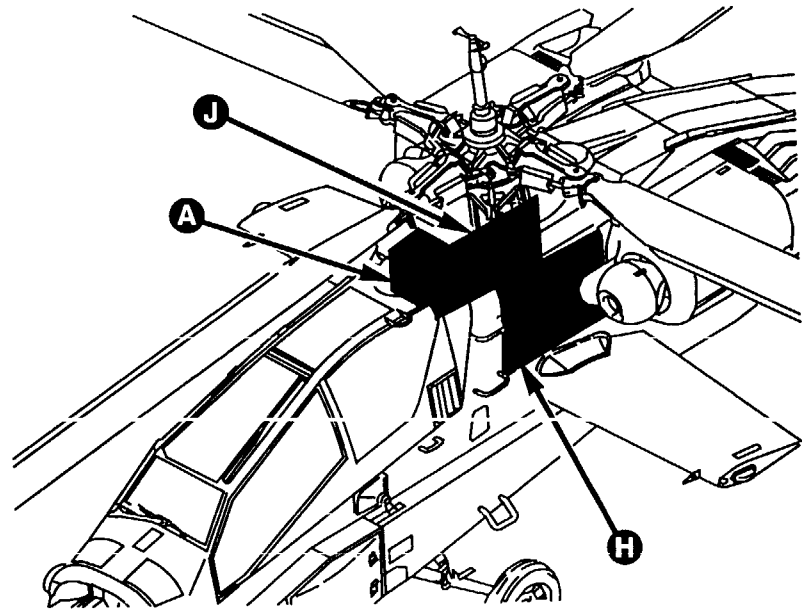


A XA85 UPLOAD BIAS BOX

B

C

M50-196

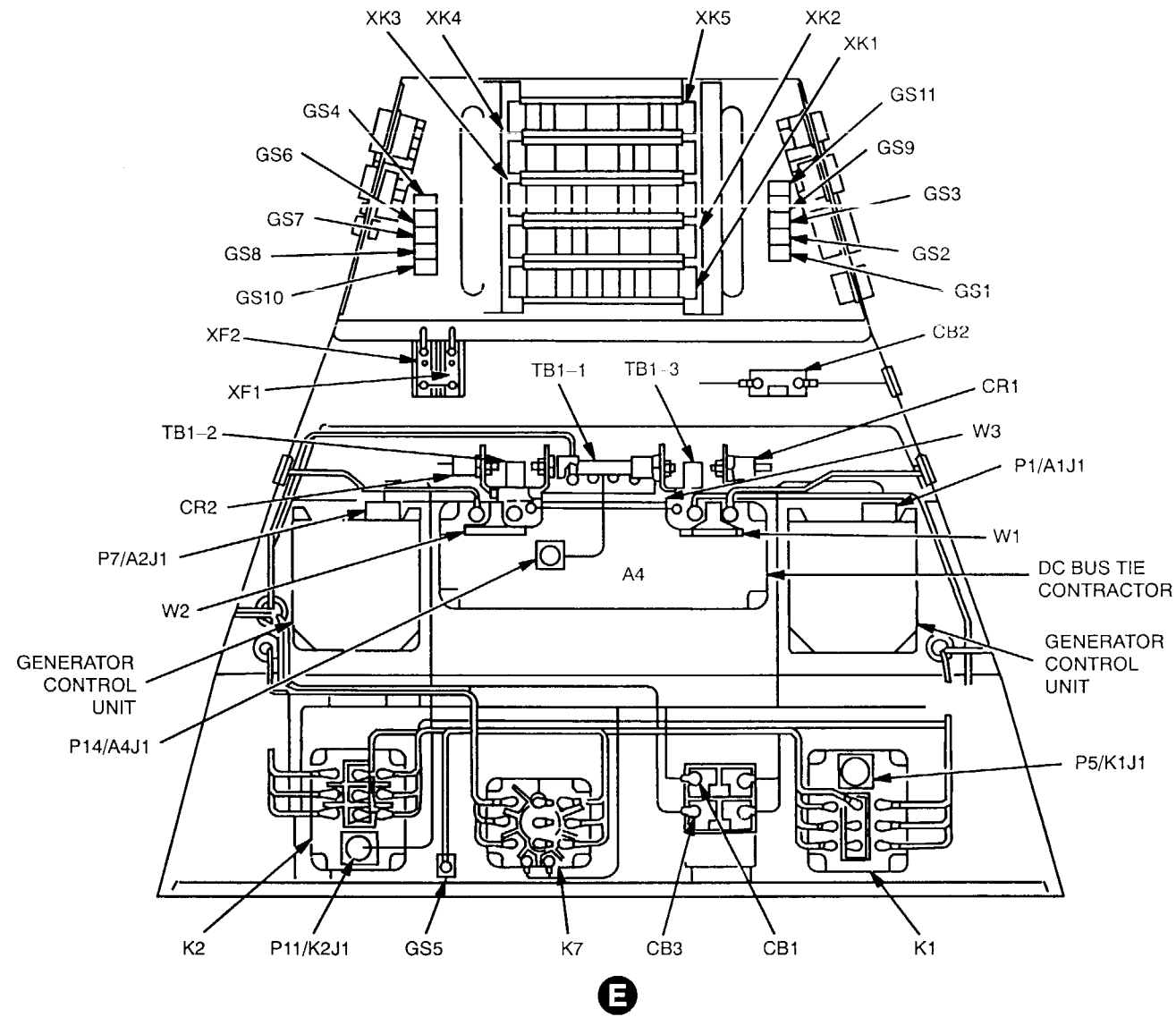


A A402 ELECTRICAL POWER DISTRIBUTION BOX (LOOKING AFT)
B TRANSFORMER RECTIFIER 1 (PS1)
G1 GENERATOR 1 (G1)
G2 GENERATOR 2 (G2)

M50-197-1A

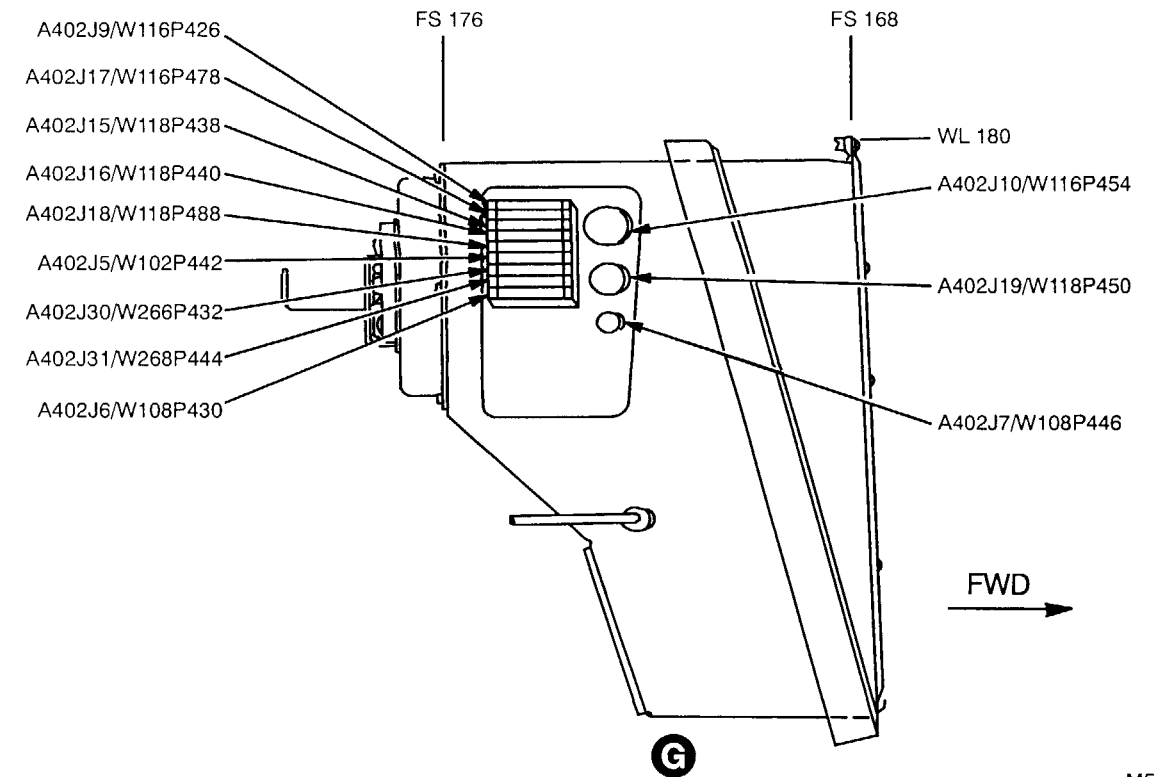
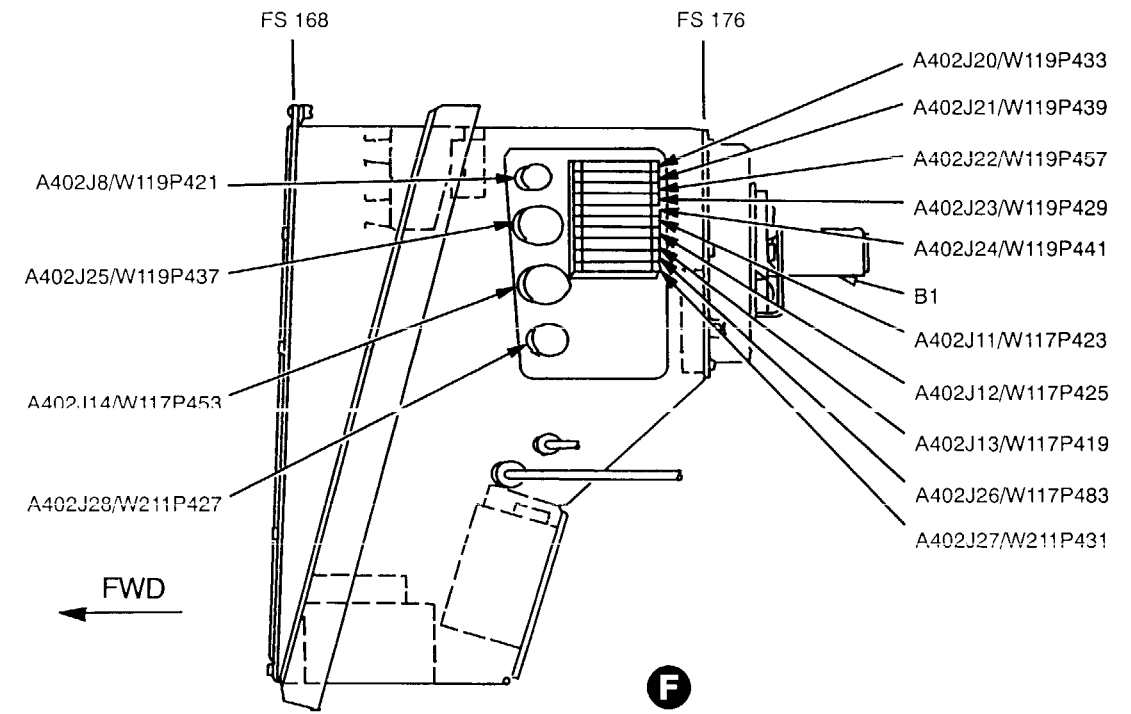
M50-197-2A

27-112. WIRE HARNESS W668 (cont)

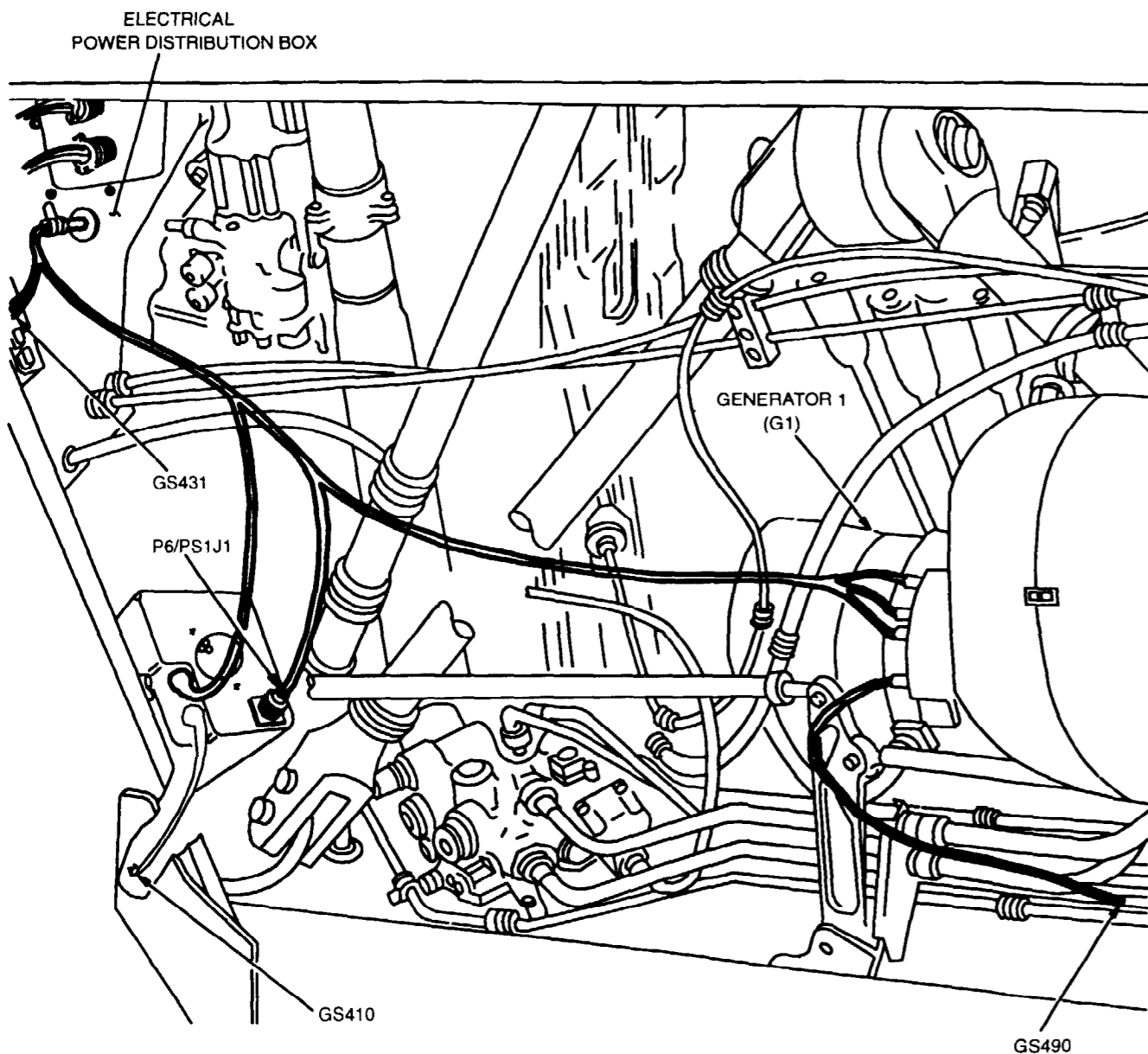


M50-197-3

27-112. WIRE HARNESS W668 (cont)

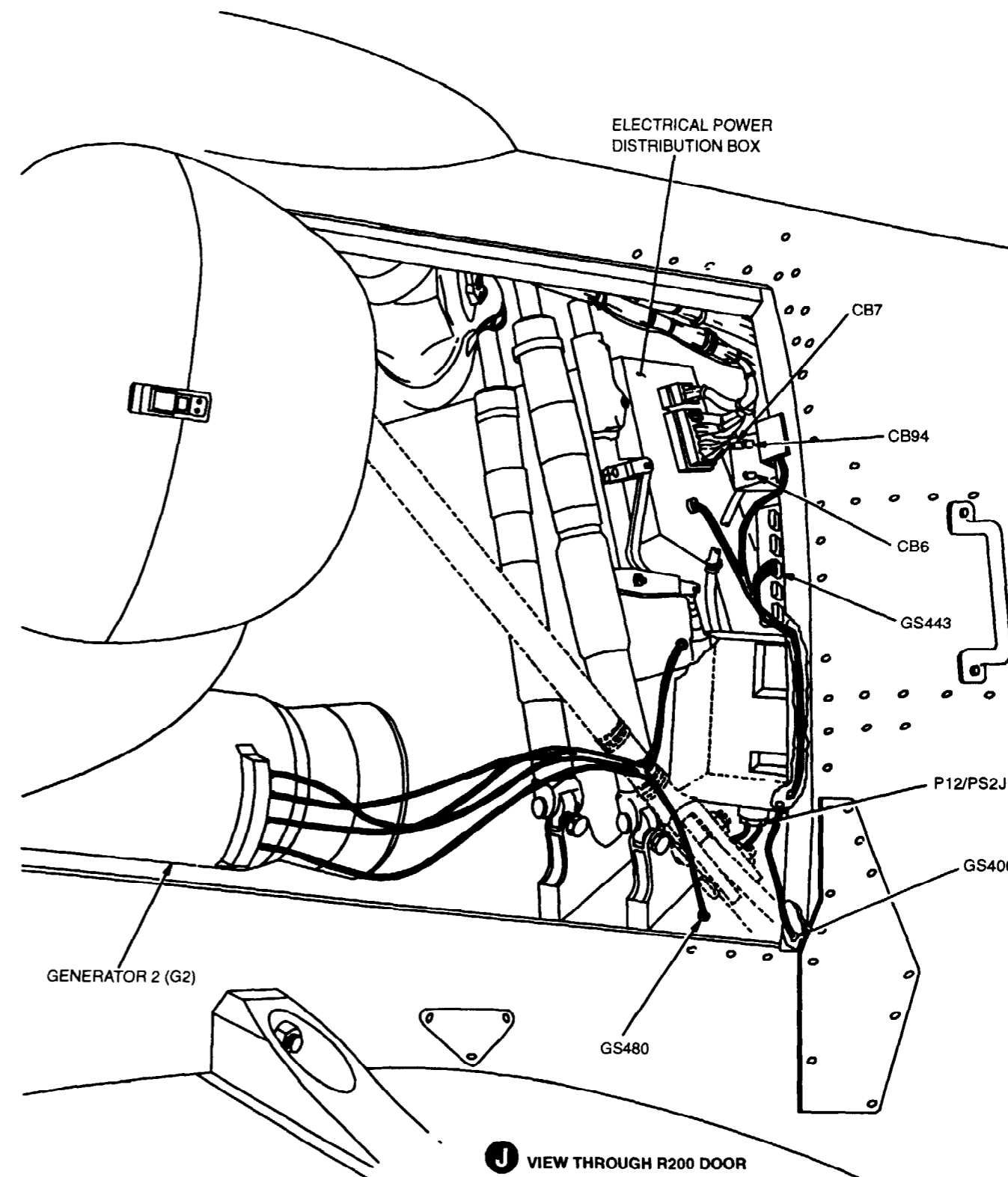


M50-197-4A



H VIEW THROUGH L200 DOOR

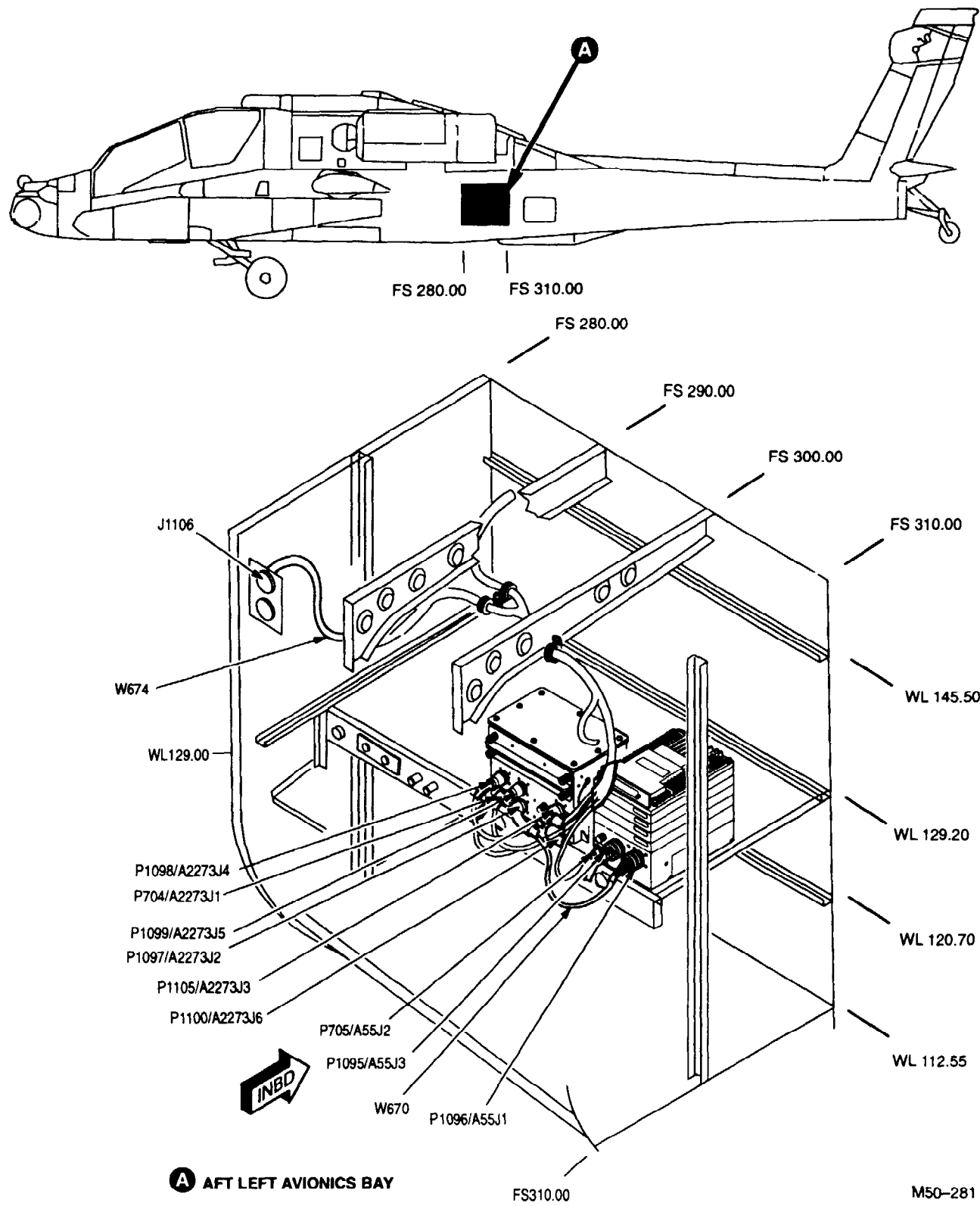
M50-197-5A



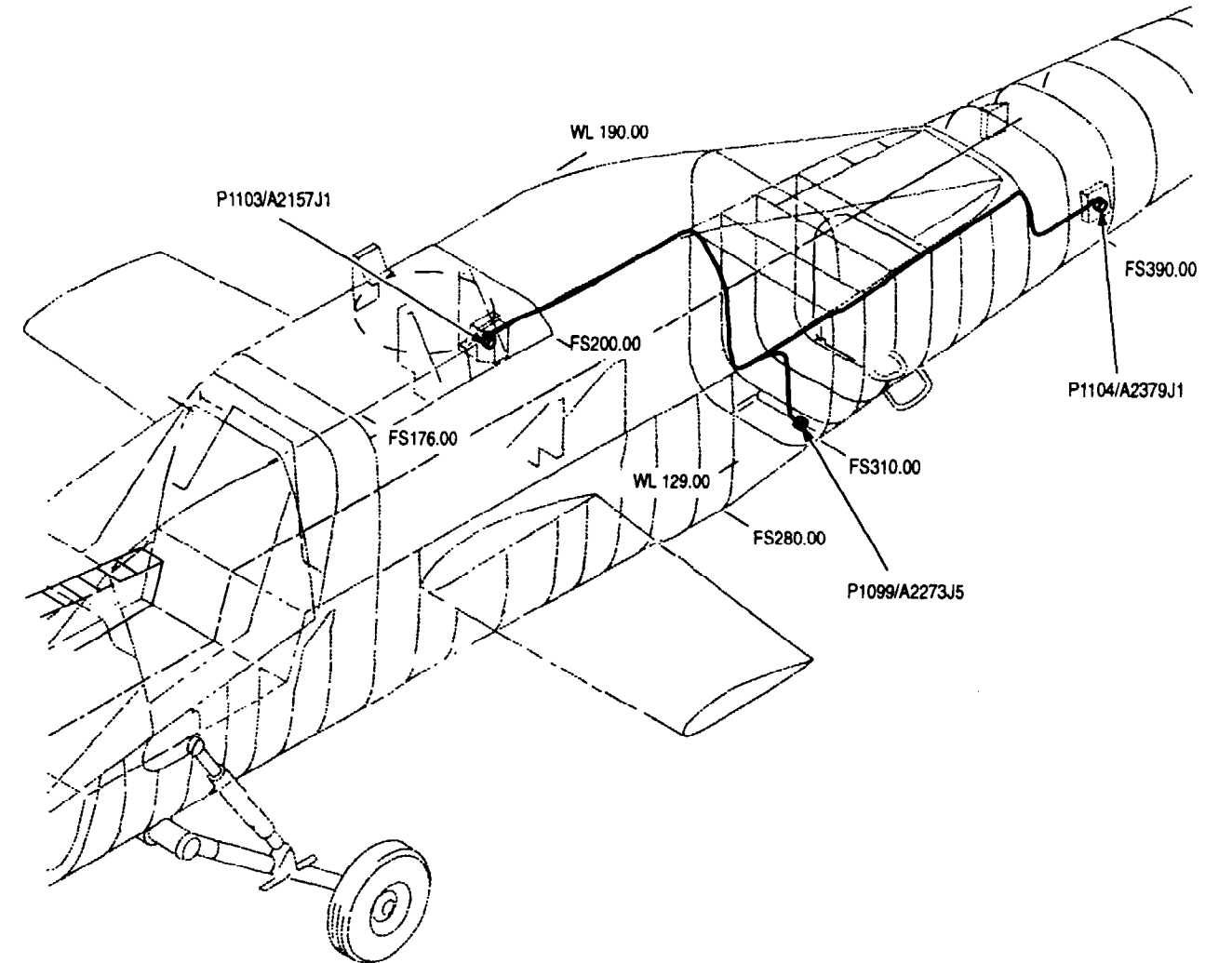
J VIEW THROUGH R200 DOOR

M50-197-6A

27-113. WIRE HARNESS W670



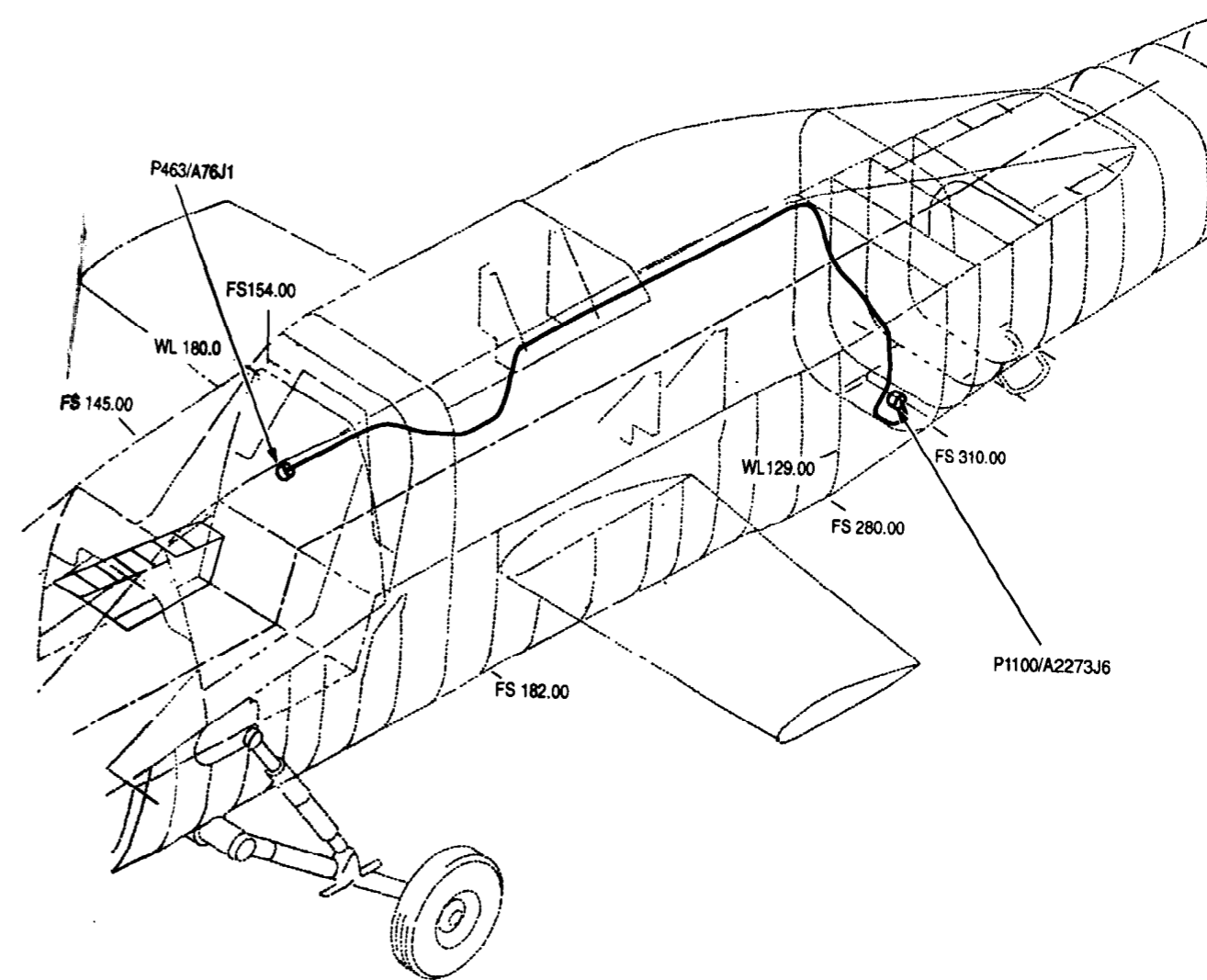
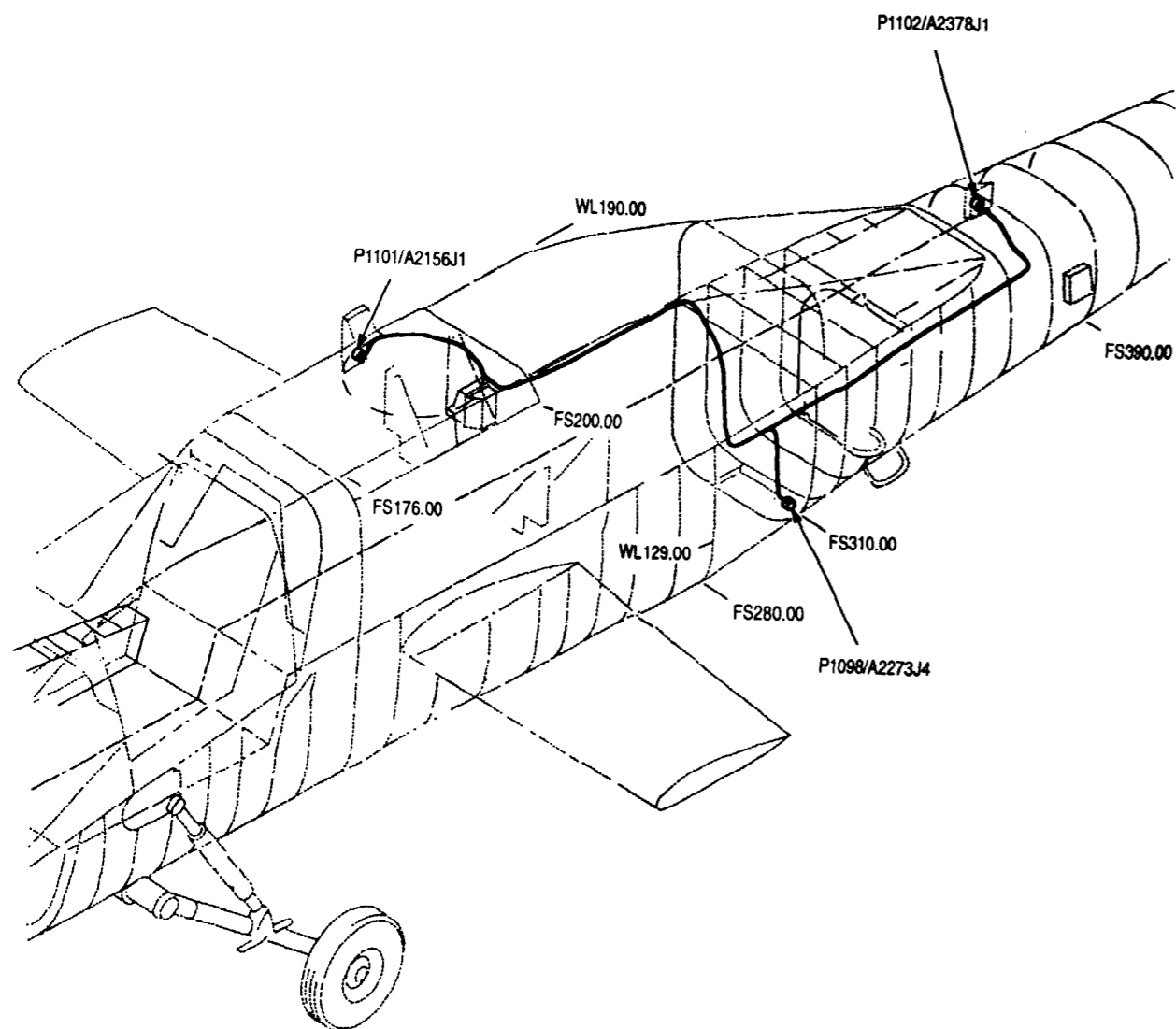
27-114. WIRE HARNESS W671



27-115. WIRE HARNESS W672

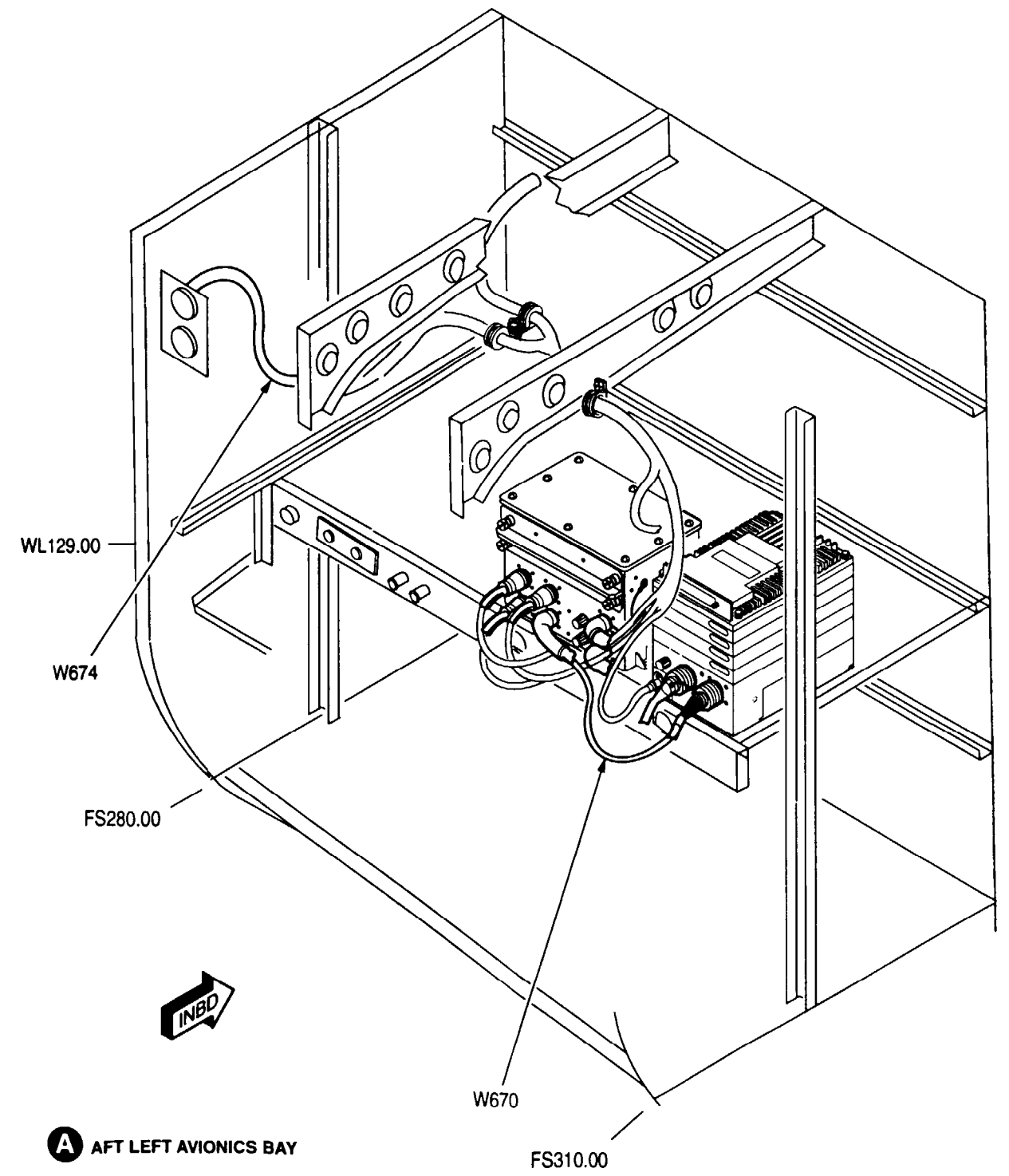
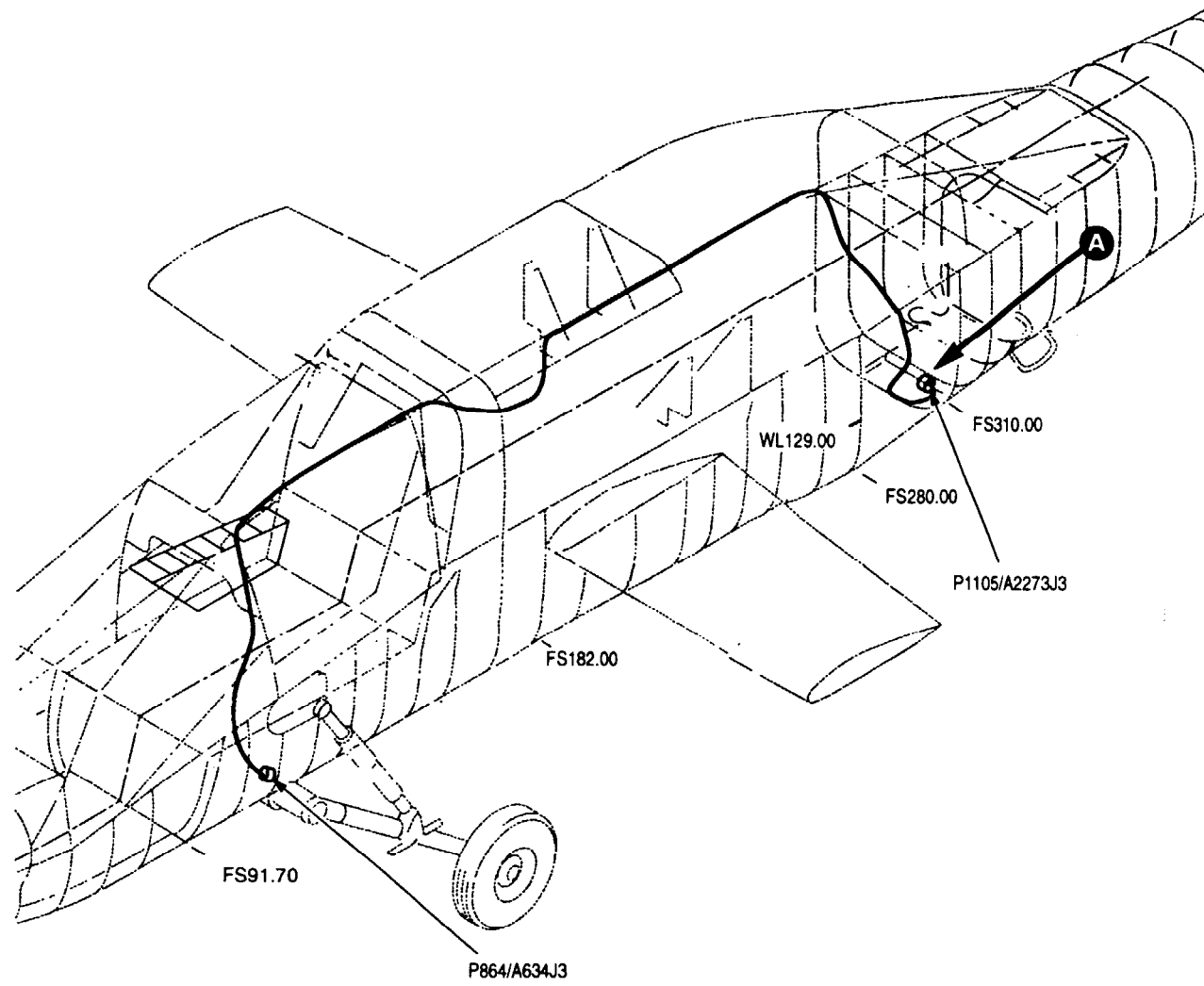
27-116. WIRE HARNESS W673

27-115/27-116



M50-283

M50-284



APPENDIX A

A-1 SCOPE.

This appendix contains a list of all official publications referenced in this technical volume.

A-2. MISCELLANEOUS MANUALS.

- DA Form 2028 Recommended Changes to Equipment Technical Publications
- DA Form 2028-2 Recommended Changes to Equipment Technical Publications
- DA PAM 738-751 Army Maintenance Management System - Aircraft (TAMMS-A)
- FM 55-411 Maintenance Quality Control and Technical Inspection for Army Aircraft
- SF 368 Deficiency Report

A-3 TECHNICAL MANUALS.

- TM 1-1520-238-T-1 Aviation Unit Maintenance Manual for Army AH-64A Helicopter Fault Detection/Location System
- TM 1-1520-238-T-2 . . . Aviation Unit Maintenance Manual for Army AH-64A Helicopter Master Failure Symptom List
- TM 1-1520-238-T-3 . . . Aviation Unit Maintenance Manual for Army AH-64A Helicopter Multiplex Read Codes
- TM 1-1520-238-T-4 . . . Aviation Unit and Intermediate Troubleshooting Manual for Army AH-64A Helicopter
- TM 1-1520-238-T-5 . . . Aviation Unit and Intermediate Troubleshooting Manual for Army AH-64A Helicopter
- TM 1-1520-238-T-6 . . . Aviation Unit and Intermediate Troubleshooting Manual for Army AH-64A Helicopter
- TM 1-1520-238-T-7 . . . Aviation Unit and Intermediate Troubleshooting Manual for Army AH-64A Helicopter
- TM 1-1520-238-T-8 . . . Aviation Unit and Intermediate Troubleshooting Manual for Army AH-64A Helicopter
- TM 1-1520-238-T-9 . . . Aviation Unit and Intermediate Troubleshooting Manual for Army AH-64A Helicopter Theory of Operation
- TM 750-244-1-5 Destruction of Army Material to Prevent Enemy Use

GLOSSARY

ABBR	DEFINITION
+B	positive battery voltage
1ST	first
2ND	second
A	ampere (electrical unit of measure)
A	unit assembly/black box
AAB	aft avionics bay
AC	alternating current
ACC	accumulator
ACCEL	acceleration
ACCLRM	accelerometer
ACK	acknowledge
ACKN	acknowledge
ACM	auto contrast command
ACQ	acquisition
ACT	actuator
ACTG	actuating
ACTR	actuator
AD	acknowledge discrete
ADDR	address
ADF	automatic direction finder
ADJ	adjust
ADP	air data processor
ADRS	address
ADS	air data sensor
ADS	air data system
ADSS	air data subsystem
ADV	advance
ALC	azimuth limit control
ALT	altimeter
AM	amplitude modulation

GLOSSARY

ABBR	DEFINITION
AMMO	ammunition
AMP	ampere (electrical unit of measure)
AMP	amplifier
AMPL	amplifier
AN	army navy
AND	alphanumeric display
ANN	annunciator
ANT	antenna
APN	airborne pulse navigation
APPR	approach
APPRCH	approach
APU	auxiliary power unit
AR	impedance matching amplifier
ARC	airborne radio control
ARCS	aerial rocket control system
ARINC	airborne radio inc
ARM	armament
ARM	armed
ASE	automatic stabilization equipment.
ASSY	assembly
ATE	automatic test equipment
ATS	air turbine starter
ATTD	attitude
AUD	audio
AUTO	automatic
AUTO/MAN	automatic/manual
AUX	auxiliary
AV	air vehicle
AWS	area weapon system

GLOSSARY (cont)

ABBR	DEFINITION
AZ	azimuth
B	battery
B	motor/fan
B+	B plus electric circuit
BAT	battery
BATT	battery
BBC	backup bus controller
BCD	binary code decimal
BFO	beat frequency oscillator
BIT	built-in test
BIT	binary digit
BK	brake
BL	butt line
BLK	black
BLU	blue
BLWR	blower
BRK	brake
BRN	brown
BRSIT	boresight
BRST	burst
BRT	bright
BRU	boresight reticle unit
BST	boost
BT	battery
BTL	bottle
BTRY	battery
BUCS	back up control system
BUFF	buffer
BUS	buss bar
BW	bandwidth

GLOSSARY (cont)

ABBR	DEFINITION
BYP	bypass
C	capacitor
C	close
C	common
CAB	cabin air blower
CAS	command augmentation system
CAUT	caution
CB	circuit breaker
CBR	chemical biological radiological
CC	calibration constant
CCM	counter counter measures
CCW	counter clockwise
CDS	controls/display subsystem
CDU	computer display unit
CH	channel
CHAN	channel
CHAR	character
CHAS	chassis
CHGR	charger
CHK	check
CHRG	charger
CHRGR	charger
CKRG	clock regulator
CKT	circuit
CLK	clock
CLTV	collective
CM	command
CMD	cruise mode display
COAX	coaxial
COL	collision

GLOSSARY (cont)

<u>ARBR</u>	<u>DEFINITION</u>
COM	common
COMM	communications
COMP	compressor
COIMP	computer
COMPL	complete
COND	condition
CONN	connection
CONT	contactor
CONT	control
CONTR	control
CONTR	controller
COS	cosine
CPG	co-pilot/gunner
CPU	central processing unit
CR	diode
CRIT	critical
CTL	control
CTR	center
CTRS	contrast
CV	challenge video
CW	clockwise
CYC	cyclic
CYL	cylinder
DAP	display adjust panel
DASE	digital automatic stabilization equipment
DASEC	digital automatic stabilization equipment computer
DC	direct current
DCI	digital control input
DCO	DC analog output
DEC	decrement
DEFL	deflection
DEG	degree

GLOSSARY (cont)

<u>ARBR</u>	<u>DEFINITION</u>
DEK	data entry keyboard
DEMOD	demodulator
DESIG	designator
DET	detection
DET	detector
DET	detent
DETR	detector
DEU	display electronics unit
DGT	digital
DGT	digital
DIR	directional
DIR	director
DIRCOS	direct cosine
DISC	disconnect
DISC	discrete
DISCHG	discharge
DISCRM	discriminate
DISP	display
DISTRB	distribution
DLTU	data link terminal unit
DN	down
DNS	doppler navigation system
DOTDOPR	do standby operate
DPLR	doppler
DR	drive
DTU	data transfer unit
DS	light assembly
DSPWCM	ds power command
DTV	day television
DVO	direct view optics
E	antenna
E	engine sensor

GLOSSARY (cont)

ARBR

EGI
 EC
 ECS
 ECU
 EFF
 EGT
 EICE
 EL
 ELEC
 ELEX
 EMERG
 EMI
 EMP
 EN
 ENA
 ENCU
 ENG
 EO
 EQ
 ESC
 ESS
 EXC
 EXCIT
 EXST
 EXT
 EXT
 EXTGH
 EXTINGH
 EXTR
 FAB
 FC

DEFINITION

embedded gps/inertial
 end cap
 environmental control location system system
 engine torque unit
 effectivity
 engine gas temperature
 engine anti-ice
 elevation
 electrical
 electronics
 emergency
 electromagnetic interference
 empty
 encoded
 enable
 environmental control unit
 engine
 video
 audio junction box
 external stores controller
 essential
 excitation
 excitation
 external stores
 exterior
 external
 extinguisher
 extinguisher
 exterior
 forward avionics bay
 fire control

GLOSSARY (cont)

ARBR

FCC
 FCP
 FD/LS
 FL
 FLIR
 FLT
 FLTR
 FM
 FORM
 FOV
 FT
 FWD
 G
 GCB
 GCU
 GEN
 GND
 GOV
 GPS
 GRBX
 GRN
 GRY
 GS
 GS
 H
 H.V.
 HORIZ
 HARN
 HARS
 HDD
 HDG

DEFINITION

fire control computer
 fire control panel
 fault detection and
 filter
 forward looking infrared radar
 flight
 filter
 frequency modulation
 formation
 field of view
 front
 forward
 generator
 gun control box
 generator control unit
 generator
 ground
 governor
 global positioning system
 gearbox
 green
 gray
 fuselage station
 ground stud/module
 hydraulic accumulator
 high voltage
 horizontal
 harness
 heading and attitude reference set
 heads down display
 heading

GLOSSARY (cont)

<u>ABBR</u>	<u>DEFINITION</u>
HDST	headset
HDU	helmet display unit
HI	high
HMD	helmet-mounted display
HME	hellfire missile electronics
HMS	helmet mounted sight
HOD	heads out display
HORIZ	horizontal
HORZ	horizontal
HP	hydraulic power
HP	hydraulic manifold/control valve
HR	heater
HSI	horizontal situation indicator
HSY	±10v analog
HTR	heater
HYD	hydraulic
HZ	hertz (cycles per second)
I/O	in/out
I/P	identification and position
IAM	interlock arm missile
IAT	image auto tracker
IC	intercommunications
ICS	intercommunication system
ID	identification
IDENT	identification
IF	intermediate frequency
IFF	identification friend or foe
IHADSS	integrated helmet and display sight system
IHU	integrated helmet unit
ILK	interlock

GLOSSARY (cont)

<u>ABBR</u>	<u>DEFINITION</u>
ILLUM	illumination
INBD	inboard
INC	increase
IND	indicator
INOP	inoperative
INST	instrument
INSTR	instrument
INT	intermediate
INTEG	interrogator
INTLK	interlock
INTMD	intermediate
INTR	interior
IR	infrared
ISOL	isolation
IVD	indirect view display
J	jack/receptacle
JAM	jammer
JETT	jettison
JMR	jammer
JTSN	jettison
K	relay
K	thousand
KT	knots
L	actuator/solenoid valve
L	coil
L	left
L-R	left-right
LAT	latitude
LATL	lateral
LCHR	launcher

GLOSSARY (cont)

<u>ARBR</u>	<u>DEFINITION</u>
LDG	landing
LDNS	lightweight doppler navigation system
LED	light emitter diode
LEU	laser electronics unit
LH	left hand
LMC	linear motion compensation
LO	low
LOC	location
LONG	longitudinal
LOP	low oil pressure
LOS	line of sight
LRF	laser fired
LRF/D	laser finder/designation
LRFD	laser range finder/designation
LRS	laser
LRU	line replaceable unit
LSR	laser
LSRD	laser detent
LST	laser spot tracker
LT	laser tracker
LT	light
LTG	lighting
LTRU	laser transceiver unit
LTU	laser transceiver unit
LVDT	linear variable differential transducer
LVL	level
LVR	louver
M	meter
M	mode
M	motor

GLOSSARY (cont)

<u>ARBR</u>	<u>DEFINITION</u>
M1	MOTOR 1
M2	MOTOR 2
MA	missile abort
MAG	magazine
MAG	magnetic
MAINT	maintenance
MAN	manual
MAX	maximum
MC	mode code
MCM	motor command
MEM	memory
MF	micro farad
MFOV	medium field of view
MHZ	mega hertz (million cycles per second)
MIC	microphone
MOM	momentary
MON	monitor
MONT	monitor
MONO	monitor
MOT	motor
MP	micro processor
MRTU	multiplex remote terminal unit
MS	master switch
MSL	missile
MT	transducer
MTR	motor
MUX	multiplex
NAV	navigation
NC	normally closed
NEG	negative
NEUT	neutral

GLOSSARY (cont)

ABBR	DEFINITION
NFOV	narrow field of view
NO	normally open
NO.	number
NOE	nap of the earth
NOM	nominal
NORM	normal
NS	night sensor
NSA	night sensor adjust
NVS	night vision system
Ng	engine turbine exhaust gas
Ni	engine instrument
Np	engine turbine rotor rpm
Np	engine turbine rpm
Nr	main rotor speed
OAS	omni directional airspeed sensor
OAT	outside air temperature
OC	overcurrent
OHMS	electrical resistance unit of measure
OPR	operate
OPT	optical
ORIDE	override
ORN	orange
ORT	optical relay tube
OUTBD	outboard
OVERTEMP	overtemperature
OVRD	override
OVSP	overspeed
P	pair
P	plug
P	pnvs

GLOSSARY (cont)

ABBR	DEFINITION
P	pressure
P&R	pitch & roll
P/O	part of
PAC	pylon actuator controller
PARA	paragraph
PEN	penetration
PEU	PNVS electronic unit
PHI	PNVS high
PLRT	polarity
PLT	pilot
PM	permanent magnet
PM	power monitor
PMG	permanent magnet generator
PMP	pump
PNL	panel
PNVS	pilot night vision sensor
PNVS/S	pilot night vision sensor/system
POL	polarity
POS	position
POS	positive
POSN	position
POT	potentiometer
PRCK	pressure check
PRESS	pressure
PRI	primary
PRIM	primary
PROG	programmed
PS	pitch status
PSI	pitch status in
PSI	pounds per square inch

GLOSSARY (cont)

<u>ABBR</u>	<u>DEFINITION</u>
PT	point
PTO	power take off
PTT	push to talk
PTWS	point target weapon system
PWR	power
PYLN	pylon
QTY	quantity
R	resistor
R	right
RR	rear
R-T	receiver/transmitter
RAD	radio
RC/MC	rounds counter/magazine controller
RCCB	remote controller circuit breaker
RCDE	rounds controller decrement
RCDR	recorder
RCP	rocket control panel
RCPT	receptacle
RCV	rocket control voltage, receive
RCVR	receiver
RDEC	rounds decrement
RDR	radar
RE	receiver
REC	receiver
RECT	rectifier
REF	reference
REG	regulated
REQ	request
RES	reserve
RET	return

GLOSSARY (cont)

<u>ABBR</u>	<u>DEFINITION</u>
RF	range finder
RF/IR	range finder/infrared
RH	right hand
RHE	remote Hellfire electronics
RICE	rotor blade de-ice
RIPL	ripple
RKT	rocket
RLY	relay
RMT	remote
RND	round
RNDS	rounds
RNG	range
RNSR	rounds sensor
RPM	revolutions per minute
RSLVR	resolver
RT	thermistor
RTCL	reticle
RTN	return
RTR	rotor
S	switch
S/O	shutoff
SAS	stability augmentation system
SCAS	stability command augmentation system
SDC	shaft driven compressor
SDC	signal data converter
SDCC	signal data converter computer
SEC	secondary
SEL	select
SEN	fire extinguishing bottle/container
SEU	sight electronics unit
SH	shutoff

GLOSSARY (cont)

GLOSSARY (cont)

ABBR	DEFINITION
SHLD	shield
SIG	signal
SILR	start ignition clear
SIN	sine
SNSR	sensor
SOL	solenoid
SP	splice
SPD	speed
SPH	speaker/phone
SQ	firing pin/contact
SR	slip ring
SRCH	search
SSS	subsystem status
SSU	sensor surveying unit
ST	store target
STA	station
STA DIR	Station Director
STAB	stabilator
STAT	status
STBY	standby
STIM	stimulus
STK	stick
SUBS	subsequent
SVO	servo
SW	switch
SYM	symbol
SYNC	synchronization
SYNCHRO	synchronization
SYS	system
T	transformer

ABBR	DEFINITION
T	twisted
T/R	transformer/rectifier
T1	transformer 1
TACH	tachometer
TADS	target acquisition designation sight
TARG	target
TAS	true air speed
TB	terminal board
TCB	turret control box
TCS	turret control system
TEMP	temperature
TERM	terminal
TEST	test point
TEU	TADS electronic unit
TGT	target
TGT	turbine gas temperature
THROT	throttle
TK	tank
TNK	tank
TPS	TADS power supply
TR	tail rotor
TR	transformer/rectifier
TRANS	transfer
TRGT	target
TRIG	trigger
TRS	turret rate sensor
TSEC	transmission security
TST	test
TT	TADS turret
TTA	TADS turret adjust

GLOSSARY (cont)

ARBR
 TV
 TWHL
 TX
 UHF
 UPDT
 UTIL
 V
 VAC
 VDC
 VDI
 VDO
 VDU
 VEL
 VERT
 VHF
 VIB
 VID
 VIO
 VLV
 VOLT
 VOR
 VT
 Vvt
 Vx
 Vxt
 Vy
 W
 W
 W
 W/O

DEFINITION

television
 tail wheel
 transmitter
 ultra high frequency
 update
 utility
 variable
 volts alternating current
 volts direct current
 voltage discrete input
 voltage discrete output
 video display unit
 velocity
 vertical
 very high frequency
 vibration
 video
 violet
 valve
 voltage
 variable omni range
 total true airspeed
 lateral airspeed
 voltage x
 longitudinal airspeed
 voltage y
 bus bar
 watt
 ware harness
 without

GLOSSARY (cont)

ARBR
 WARN
 WAS
 WFOV
 WHT
 WICE
 WL
 WPN
 WPR
 WRN
 WSHLD
 X10
 XDCR
 XDS
 XF
 XFEED
 XFER
 XFMR
 XFR
 XJ
 XK
 XMIT
 XMSN
 XMTR
 XOVER
 XP
 YEL
 ZFOV

DEFINITION

warning
 weapon action switch
 wide field of view
 white
 windshield anti-ice
 water line
 weapon
 wiper
 warning
 windshield
 multiply by 10
 transducer
 lamp assembly
 fuse socket/holder
 cross feed
 transfer
 transformer
 transfer
 jumper cable-connector
 relay socket/holder
 transmit
 transmission
 transmitter
 crossover
 jumper cable-connector
 yellow
 zoom field of view

ALPHABETICAL INDEX

<u>Subject</u>	<u>Para No.</u>
A	
Abbreviations and Acronyms	Glossary 1
AC Electrical Power Generation - Wiring Diagram	9-1
Aerial Rocket Control System (ARCS) - Wiring Diagram	3-1
Air Data System (ADS) - Wiring Diagram	2-1
Air System (PAS), Pressurized - Wiring Diagram	15-2
Altimeter (RADALT) Set, Radar - Wiring Diagram	20-5
AN/ALQ-136, Radar Jammer - Wiring Diagram	21-2
AN/ALQ-144, IR Jammer - Wiring Diagram	21-1
■ AN/APR-39(V)1 and AN/APR-39A(V)1, Radar Warning Set - Wiring Diagram	21-3
AN/ASN-128, Doppler Navigation - Wiring Diagram	20-2
AN/ASN-137, Doppler Navigation (ADC) - Wiring Diagram	20-3
AN/ASN-137, Doppler Navigation (ADD) - Wiring Diagram	20-3A
■ AN/AVR-2A(V)1, Laser Detecting Set - Wiring Diagram	21-4
Anti-Collision Lights - Wiring Diagram	9-22
Anti-Ice, Canopy Defog and - Wiring Diagram	25-1
Anti-Ice Control, TADS/PNVS - Wiring Diagram	25-7
Anti-Ice, Engine - Wiring Diagram	25-2
Anti-Ice, Pitot - Wiring Diagram	25-4
Area Weapon System (AWS) - Wiring Diagram	4-1
Army Material to Prevent Enemy Use, Destruction of	1-3
Attitude Reference Set (HARS), Heading and - Wiring Diagram	20-4
Audio Warning - Wiring Diagram	9-27
Automatic Direction Finder (ADF) AN/ARN-89 - Wiring Diagram	20-1
Automatic Direction Finder (ADF) AN/ARN-149 - Wiring Diagram	20-6
Auxiliary Fuel - Wiring Diagram	13-1
Auxiliary Power Unit (APU) - Wiring Diagram	5-1

ALPHABETICAL INDEX

<u>Subject</u>	<u>Para No.</u>
B	
Blades De-Ice, Rotor - Wiring Diagram	25-3
C	
Canopy Defog and Anti-Ice - Wiring Diagram	25-1
Caution and Warning - Wiring Diagram	9-18
Chaff Dispenser - Wiring Diagram	7-1
Circuit Protection (AC Essential Bus 1 - CPG Station) - Wiring Diagram	9-6
Circuit Protection (AC Essential Bus 1 - Pilot Station) - Wiring Diagram	9-5
Circuit Protection (AC Essential Bus 2 - CPG Station) - Wiring Diagram	9-8
Circuit Protection (AC Essential Bus 2 - Pilot Station) - Wiring Diagram	9-7
Circuit Protection (DC Essential Bus 1 - CPG Station) - Wiring Diagram	9-10
Circuit Protection (DC Essential Bus 1 - Pilot Station) - Wiring Diagram	9-9
Circuit Protection (DC Essential Bus 2 - Pilot Station) - Wiring Diagram	9-11
Circuit Protection (DC Essential Bus 3 - CPG Station) - Wiring Diagram	9-13
Circuit Protection (DC Essential Bus 3 - Pilot Station) - Wiring Diagram	9-12
Circuit Protection (DC Emergency Bus - CPG Station) - Wiring Diagram	9-15
Circuit Protection (DC Emergency Bus - Pilot Station) - Wiring Diagram	9-14
Circuit Protection (DC Ground Circuit Breakers - CPG Station) - Wiring Diagram	9-17
Circuit Protection (DC Ground Circuit Breakers - Pilot Station) - Wiring Diagram	9-16
Communications Security Equipment, TSEC/KY-58 - Wiring Diagram	6-2
Connector End View Diagrams	1-7
Connector End View Directory	1-6
Control System (ECS), Environmental - Wiring Diagram	10-1
Control, External Stores - Wiring Diagram	11-1
Control, TADS/PNVS Anti-Ice - Wiring Diagram	25-7
CPG Utility and Secondary Lights - Wiring Diagram	9-20
Crossfeed/Boost, Fuel - Wiring Diagram	13-2

ALPHABETICAL INDEX (cont)

<u>Subject</u>	<u>Para No.</u>
D	
DASE - Wiring Diagram (BUCS Activated) (Serial No. 88-0200 and subsequent)	12-2
DASE - Wiring Diagram (BUCS Deactivated) (Serial No. 82-23355 thru 88-0199)	12-1
Data System (ADS), Air - Wiring Diagram	2-1
Data Transfer Unit (ADD) - Wiring Diagram	20-7
DC Electrical Power Generation -Wiring Diagram	9-2
Deficiency Reports, Reporting	1-5
Defog and Anti-Ice, Canopy - Wiring Diagram	25-1
De-Ice, Rotor Blades - Wiring Diagram	25-3
Destruction of Army Material to Prevent Enemy Use	1-3
Detection and Extinguishing, Fire - Wiring Diagram	25-6
Diagrams, Connector End View	1-7
Direction Finder (ADF) AN/ARN-89, Automatic - Wiring Diagram	20-1
Direction Finder (ADF) AN/ARN-149, Automatic - Wiring Diagram	20-6
Directory, Connector End View	1-6
Dispenser, Chaff - Wiring Diagram	7-1
Display Unit (VDU) and Video Recorder, Video - Wiring Diagram	26-2
Doppler Navigation AN/ASN-128 - Wiring Diagram (Serial No. 82-23355 thru 84-24269)	20-2
Doppler Navigation AN/ASN-137 (ADC) - Wiring Diagram (Serial No. 84-24270 and subsequent)	20-3
Doppler Navigation AN/ASN-137 (ADD) - Wiring Diagram	20-3A
Drive System - Wiring Diagram	8-1
E	
EGI (ADD) - Wiring Diagram	20-8
Electrical Power Generation, AC - Wiring Diagram	9-1
Electrical Power Generation, DC - Wiring Diagram	9-2
End View Diagrams, Connector	1-7
End View Directory, Connector	1-6
Enemy Use, Destruction of Army Material to Prevent	1-3

ALPHABETICAL INDEX (cont)

<u>Subject</u>	<u>Para No.</u>
Engine Anti-Ice - Wiring Diagram	25-2
Engine Instruments - Wiring Diagram	18-1
Environmental Control System (ECS) - Wiring Diagram	10-1
External Power and Ground Service Utility Connector - Wiring Diagram	9-3
External Stores Control - Wiring Diagram	11-1
External Stores Jettison - Wiring Diagram	11-2
Extinguishing, Fire Detection and - Wiring Diagram	25-6
F	
Finder (ADF) AN/ARN-89, Automatic Direction - Wiring Diagram	20-1
Finder (ADF) AN/ARN-149, Automatic Direction -Wiring Diagram	20-6
Fire Detection and Extinguishing - Wiring Diagram	25-6
Force Trim - Wiring Diagram	12-3
Formation Lights -Wiring Diagram	9-23
Forms, Records, and Reports, Maintenance	1-2
Fuel, Auxiliary - Wiring Diagram	13-1
Fuel Crossfeed/Boost - Wiring Diagram	13-2
Fuel Quantity Indication/Transfer-Wiring Diagram	13-3
G	
Generator, Symbol - Wiring Diagram	26-1
H	
Harness, Wire W102	21-3
Harness, Wire W102	21-4
Harness, Wire W108	27-2
Harness, Wire W109	27-3
Harness, Wire W110	27-4
Harness, Wire W115.....	27-5
Harness, Wire W116	27-6
Harness, Wire W117.....	27-7

ALPHABETICAL INDEX (cont)

<u>Subject</u>	<u>Para No.</u>
Harness, Wire W118	21-3
Harness, Wire W118	21-4
Harness, Wire W118	27-8
Harness, Wire W119	21-3
Harness, Wire W119	21-4
Harness, Wire W119	27-9
Harness, Wire W143	27-10
Harness, Wire W145	27-11
Harness, Wire W149	27-12
Harness, Wire W154	21-3
Harness, Wire W154	21-4
Harness, Wire W154	27-13
Harness, Wire W155	27-14
Harness, Wire W156	27-15
Harness, Wire W157	27-16
Harness, Wire W158	27-17
Harness, Wire W159	27-18
Harness, Wire W161	27-19
Harness, Wire W162	27-20
Harness, Wire W164	27-21
Harness, Wire W165	27-22
Harness, Wire W166	27-23
Harness, Wire W167	27-24
Harness, Wire W170	21-3
Harness, Wire W170	21-4
Harness, Wire W170	27-25
Harness, Wire W171	21-3
Harness, Wire W171	21-4
Harness, Wire W171	27-26

ALPHABETICAL INDEX (cont)

<u>Subject</u>	<u>Para No.</u>
Harness, Wire W172	27-27
Harness, Wire W173	27-28
Harness, Wire W175	21-3
Harness, Wire W175	21-4
Harness, Wire W175	27-29
Harness, Wire W176	21-3
Harness, Wire W176	21-4
Harness, Wire W176	27-30
Harness, Wire W177	21-3
Harness, Wire W177	21-4
Harness, Wire W177	27-31
Harness, Wire W178	21-3
Harness, Wire W178	21-4
Harness, Wire W178	27-32
Harness, Wire W181	27-33
Harness, Wire W182	27-34
Harness, Wire W183	27-35
Harness, Wire W184	27-36
Harness, Wire W187	27-37
Harness, Wire W188	27-38
Harness, Wire W189	27-39
Harness, Wire W190	27-40
Harness, Wire W191	21-3
Harness, Wire W191	21-4
Harness, Wire W191	27-41
Harness, Wire W195	27-42
Harness, Wire W197	27-43
Harness, Wire W199	27-44
Harness, Wire W201	27-45

ALPHABETICAL INDEX (cont)

<u>Subject</u>	<u>Para No.</u>
Harness, Wire W202	27-46
Harness, Wire W203	27-47
Harness, Wire W204	27-48
Harness, Wire W205	27-49
Harness, Wire W206	27-50
Harness, Wire W207	27-51
Harness, Wire W209	27-52
Harness, Wire W210	27-53
Harness, Wire W211	27-54
Harness, Wire W212	27-55
Harness, Wire W213	27-56
Harness, Wire W214	27-57
Harness, Wire W215	27-58
Harness, Wire W216	27-59
Harness, Wire W217	27-60
Harness, Wire W218	27-60.1
Harness, Wire W219	27-61
Harness, Wire W220	27-62
Harness, Wire W221	27-63
Harness, Wire W224	27-64
Harness, Wire W229	27-64.1
Harness, Wire W230	27-64.2
Harness, Wire W231	27-64.3
Harness, Wire W232	27-64.4
Harness, Wire W255	27-65
Harness, Wire W261	27-66
Harness, Wire W262	27-67
Harness, Wire W264	27-68

ALPHABETICAL INDEX (cont)

<u>Subject</u>	<u>Para No.</u>
Harness, Wire W266	21-3
Harness, Wire W266	21-4
Harness, Wire W266	27-69
Harness, Wire W268	27-70
Harness, Wire W601	27-71
Harness, Wire W602	27-72
Harness, Wire W605	27-73
Harness, Wire W608	27-74
Harness, Wire W609	27-75
Harness, Wire W610	27-76
Harness, Wire W611	27-77
Harness, Wire W612	27-78
Harness, Wire W613	27-79
Harness, Wire W614	27-80
Harness, Wire W615	27-81
Harness, Wire W616	27-82
Harness, Wire W617	27-83
Harness, Wire W618	27-84
Harness, Wire W619	27-85
Harness, Wire W621	27-86
Harness, Wire W622	27-87
Harness, Wire W624	27-88
Harness, Wire W625	27-89
Harness, Wire W627	27-90
Harness, Wire W636	27-91
Harness, Wire W637	27-92
Harness, Wire W638	27-93
Harness, Wire W640	27-94

ALPHABETICAL INDEX (cont)

<u>Subject</u>	<u>Para No.</u>
Harness, Wire W641	27-95
Harness, Wire W642	27-96
Harness, Wire W643	27-97
Harness, Wire W644	27-98
Harness, Wire W645	27-99
Harness, Wire W646	27-100
Harness, Wire W647	27-101
Harness, Wire W648	27-102
Harness, Wire W650	27-103
Harness, Wire W651	27-104
Harness, Wire W652	27-105
Harness, Wire W653	27-106
Harness, Wire W654	27-107
Harness, Wire W655	27-108
Harness, Wire W656	27-109
Harness, Wire W657	27-110
Harness, Wire W659	27-111
Harness, Wire W668	27-112
Harness, Wire W670	21-4
Harness, Wire W671	21-4
Harness, Wire W672	21-4
Harness, Wire W673	21-4
Harness, Wire W674	21-4
Heading and Attitude Reference Set (HARS) - Wiring Diagram	20-4
HELLFIRE Missile - Wiring Diagram	14-1
Hydraulic - Wiring Diagram	15-1
I	
Identification Friend or Foe (IFF) - Wiring Diagram	16-1

ALPHABETICAL INDEX (cont)

<u>Subject</u>	<u>Para No.</u>
Indication/Transfer, Fuel Quantity - Wiring Diagram	13-3
Inerting, Nitrogen - Wiring Diagram	13-5
Integrated Helmet and Display Sight System (IHADSS) - Wiring Diagram	17-1
IR Jammer AN/ALQ-144 - Wiring Diagram	21-1
Instruments, Engine - Wiring Diagram	18-1
Instruments, Navigation - Wiring Diagram	18-2
Intercommunication - Wiring Diagram	6-1
J	
Jammer AN/ALQ-136, Radar - Wiring Diagram	21-2
Jammer AN/ALQ-144, IR - Wiring Diagram	21-1
Jettison, External Stores - Wiring Diagram	11-2
K	
L	
Landing/Search Lights - Wiring Diagram	9-24
Lights, Anti-Collision - Wiring Diagram	9-22
Laser Detecting Set AN/AVR-2A(V)1 - Wiring Diagram	21-4
Lights, CPG Utility and Secondary - Wiring Diagram	9-20
Lights, Edge - Wiring Diagram	9-19
Lights, Formation - Wiring Diagram	9-23
Lights, Maintenance - Wiring Diagram	9-26
Lights, Navigation - Wiring Diagram	9-25
Lights, Pilot Utility and Secondary - Wiring Diagram	9-21
M	
Maintenance Forms, Records and Reports	1-2
Maintenance Lights - Wiring Diagram	9-26
Missile, HELLFIRE - Wiring Diagram	14-1
Multiplex - Wiring Diagram	19-1

ALPHABETICAL INDEX (cont)

<u>Subject</u>	<u>Para No.</u>
N	
Navigation AN/ASN-128 (Serial No. 82-23355 thru 84-24269), Doppler	20-2
Navigation AN/ASN-137 (ADC) (Serial No. 84-24270 and subsequent), Doppler	20-3
Navigation AN/ASN-137 (ADD), Doppler	20-3A
Navigation Instruments	18-2
Nitrogen Inerting - Wiring Diagram	13-5
O	
P	
Pilot Night Vision Sensor (PNVS) - Wiring Diagram	22-1
Pilot Utility and Secondary Lights - Wiring Diagram	9-21
Pitot Anti-Ice - Wiring Diagram	25-4
Plants, Power - Wiring Diagram	23-1
Power Generation, AC Electrical - Wiring Diagram	9-1
Power Generation, DC Electrical - Wiring Diagram	9-2
Power Plants - Wiring Diagram	23-1
Power Unit (APU), Auxiliary - Wiring Diagram	5-1
Pressure Refueling/Defueling - Wiring Diagram	13-4
Pressurized Air System (PAS) - Wiring Diagram	15-2
Q	
Quality Assurance/Quality Control	1-4
Quantity Indication/Transfer, Fuel - Wiring Diagram	13-3
R	
Radar Altimeter (RADALT) Set - Wiring Diagram	20-5
Radar Jammer AN/ALQ-136 - Wiring Diagram	21-2
■ Radar Warning Set AN/APR-39(V)1 and AN/APR-39A(V)1 - Wiring Diagram	21-3
Radio Set, UHF-AM - Wiring Diagram	6-3
Radio Set, VHF AM-FM - Wiring Diagram	6-4
Recorder, Video Display Unit (VDU) and Video - Wiring Diagram	26-2
Records and Reports, Maintenance Forms	1-2

ALPHABETICAL INDEX (cont)

<u>Subject</u>	<u>Para No.</u>
Reference Set (HARS), Heading and Attitude - Wiring Diagram	20-4
Refueling/Defueling, Pressure - Wiring Diagram	13-4
Reporting Deficiency Reports	1-5
Reports, Maintenance Forms and Records	1-2
Rocket Control System (ARCS), Aerial - Wiring Diagram	3-1
Rotor Blades De-Ice - Wiring Diagram	25-3
S	
Scope	1-1
Secondary Lights, CPG Utility and - Wiring Diagram	9-20
Secondary Lights, Pilot Utility and - Wiring Diagram	9-21
Security Equipment, TSEC/KY-58 Communications - Wiring Diagram	6-2
Sensor (PNVS), Pilot Night Vision - Wiring Diagram	22-1
Set AN/APR-39(V)1 and AN/APR-39A(V)1, Radar Warning - Wiring Diagram	21-3
Set AN/AVR-2A(V)1, Laser Detecting - Wiring Diagram	21-4
Set (HARS), Heading and Attitude Reference - Wiring Diagram	20-4
Set, Radar Altimeter (RADALT) - Wiring Diagram	20-5
Squat Switch - Wiring Diagram	9-28
Stabilator - Wiring Diagram	12-4
Stores, Control External - Wiring Diagram	11-1
Stores, Jettison External - Wiring Diagram	11-2
Switch, Squat - Wiring Diagram	9-28
Symbol Generator - Wiring Diagram	26-1
T	
TADS/PNVS Anti-Ice Control - Wiring Diagram	25-7
Target Aquisition Designation Sight (TADS) System - Wiring Diagram	24-1
Transfer, Unit, Data - Wiring Diagram	20-7
Trim, Force - Wiring Diagram	12-3
TSEC/KY-58 Communications Security Equipment - Wiring Diagram	6-2

ALPHABETICAL INDEX (cont)

<u>Subject</u>	<u>Para No.</u>
U	
UHF-AM Radio Set - Wiring Diagram	6-3
Unit (APU), Auxiliary Power-Wiring Diagram	5-1
Unit, Data Transfer - Wiring Diagram	20-7
Utility and Secondary Lights, CPG - Wiring Diagram	9-20
Utility and Secondary Lights, Pilot - Wiring Diagram	9-21
Unit (VDU) and Video Recorder, Video Display - Wiring Diagram	26-2
V	
VHF AM-FM Radio Set AN/ARC-186 (ADH) - Wiring Diagram	6-4
VHF AM-FM Radio Set AN/ARC-186 and AN/ARC-201A (ADI) - Wiring Diagram	6-5
Video Display Unit (VDU) and Video Recorder - Wiring Diagram	26-2
Video Recorder, Video Display Unit (VDU) and - Wiring Diagram	26-2
W	
Warning Set AN/APR-39(V)1 and AN/APR-39A(V)1, Radar - Wiring Diagram	21-3
Windshield Wipers - Wiring Diagram	25-5
Wipers, Windshield - Wiring Diagram	25-5
Wire Harness W102	21-3
Wire Harness W102	21-4
Wire Harness W102	27-1
Wire Harness W108	27-2
Wire Harness W109	27-3
Wire Harness W110	27-4
Wire Harness W115	27-5
Wire Harness W116	27-6
Wire Harness W117	27-7
Wire Harness W118.....	21-3
Wire Harness W118	21-4
Wire Harness W118	27-8

ALPHABETICAL INDEX (cont)

<u>Subject</u>	<u>Para No.</u>
Wire Harness W119	21-3
Wire Harness W119	21-4
Wire Harness W119	27-9
Wire Harness W143	27-10
Wire Harness W145	27-11
Wire Harness W149	27-12
Wire Harness W154	21-3
Wire Harness W154	21-4
Wire Harness W154	27-13
Wire Harness W155	27-14
Wire Harness W156	27-15
Wire Harness W157	27-16
Wire Harness W158	27-17
Wire Harness W159	27-18
Wire Harness W161	27-19
Wire Harness W162	27-20
Wire Harness W164	27-21
Wire Harness W165	27-22
Wire Harness W166	27-23
Wire Harness W167	27-24
Wire Harness W170	21-3
Wire Harness W170	21-4
Wire Harness W170	27-25
Wire Harness W171	21-3
Wire Harness W171	21-4
Wire Harness W171	27-26
Wire Harness W172	27-27
Wire Harness W173	27-28

ALPHABETICAL INDEX (cont)

<u>Subject</u>	<u>Para No.</u>
Wire Harness W175	21-3
Wire Harness W175	21-4
Wire Harness W175	27-29
Wire Harness W176	21-3
Wire Harness W176	21-4
Wire Harness W176	27-30
Wire Harness W177	21-3
Wire Harness W177	21-4
Wire Harness W177	27-31
Wire Harness W178	21-3
Wire Harness W178	21-4
Wire Harness W178	27-32
Wire Harness W181	27-33
Wire Harness W182	27-34
Wire Harness W183	27-35
Wire Harness W184	27-36
Wire Harness W187	27-37
Wire Harness W188	27-38
Wire Harness W189	27-39
Wire Harness W190	27-40
Wire Harness W191	21-3
Wire Harness W191	21-4
Wire Harness W191	27-41
Wire Harness W195	27-42
Wire Harness W197	27-43
Wire Harness W199	27-44
Wire Harness W201	27-45
Wire Harness W202	27-46

ALPHABETICAL INDEX (cont)

<u>Subject</u>	<u>Para No.</u>
Wire Harness W203	27-47
Wire Harness W204	27-48
Wire Harness W205	27-49
Wire Harness W206	27-50
Wire Harness W207	27-51
Wire Harness W209	27-52
Wire Harness W210	27-53
Wire Harness W211	27-54
Wire Harness W212	27-55
Wire Harness W213	27-56
Wire Harness W214	27-57
Wire Harness W215	27-58
Wire Harness W216	27-59
Wire Harness W217	27-60
Wire Harness W218	27-60.1
Wire Harness W219	27-61
Wire Harness W220	27-62
Wire Harness W221	27-63
Wire Harness W224	27-64
Wire Harness W229	27-64.1
Wire Harness W230	27-64.2
Wire Harness W231	27-64.3
Wire Harness W232	27-64.4
Wire Harness W255	27-65
Wire Harness W261	27-66
Wire Harness W262	27-67
Wire Harness W264	27-68
Wire Harness W266	21-3

ALPHABETICAL INDEX (cont)

<u>Subject</u>	<u>Para No.</u>
Wire Harness W266	21-4
Wire Harness W266	27-69
Wire Harness W268	27-70
Wire Harness W601	27-71
Wire Harness W602	27-72
Wire Harness W605	27-73
Wire Harness W608	27-74
Wire Harness W609	27-75
Wire Harness W610	27-76
Wire Harness W611	27-77
Wire Harness W612	27-78
Wire Harness W613	27-79
Wire Harness W614	27-80
Wire Harness W615	27-81
Wire Harness W616	27-82
Wire Harness W617	27-83
Wire Harness W618	27-84
Wire Harness W619	27-85
Wire Harness W621	27-86
Wire Harness W622	27-87
Wire Harness W624	27-88
Wire Harness W625	27-89
Wire Harness W627	27-90
Wire Harness W636	27-91
Wire Harness W637	27-92
Wire Harness W638	27-93
Wire Harness W640	27-94
Wire Harness W641	27-95

ALPHABETICAL INDEX (cont)

<u>Subject</u>	<u>Para No.</u>
Wire Harness W642	27-96
Wire Harness W670	21-4
Wire Harness W671	21-4
Wire Harness W672	21-4
Wire Harness W673	21-4
Wire Harness W674	21-4
Wire Harness W643	27-97
Wire Harness W644	27-98
Wire Harness W645	27-99
Wire Harness W646	27-100
Wire Harness W647	27-101
Wire Harness W648	27-102
Wire Harness W650	27-103
Wire Harness W651	27-104
Wire Harness W652	27-105
Wire Harness W653	27-106
Wire Harness W654	27-107
Wire Harness W655	27-108
Wire Harness W656	27-109
Wire Harness W657	27-110
Wire Harness W659	27-111
Wire Harness W668	27-112
Wire Harness W670	21-4
Wire Harness W671	21-4
Wire Harness W672	21-4
Wire Harness W673	21-4
Wire Harness W674	21-4
Wiring Diagram, AC Electrical Power Generation	9-1

ALPHABETICAL INDEX (cont)

Subject	Para No.
Wiring Diagram, Aerial Rocket Control System (ARCS)	3-1
Wiring Diagram, Air Data System (ADS)	2-1
Wiring Diagram, Area Weapon System (AWS)	4-1
Wiring Diagram, Automatic Direction Finder (ADF) AN/ARN-89	20-1
Wiring Diagram, Automatic Direction Finder (ADF) AN/ARN-149	20-6
Wiring Diagram, Auxiliary Fuel	13-1
Wiring Diagram, Auxiliary Power Unit (APU)	5-1
Wiring Diagram, Battery and Battery Charger	9-4
Wiring Diagram, Canopy Defog and Anti-Ice	25-1
Wiring Diagram, Caution and Warning	9-18
Wiring Diagram, Chaff Dispenser	7-1
Wiring Diagram, Circuit Protection (AC Essential Bus 1 - CPG Station)	9-6
Wiring Diagram, Circuit Protection (AC Essential Bus 2 - CPG Station)	9-8
Wiring Diagram, Circuit Protection (AC Essential Bus 2 - Pilot Station)	9-7
Wiring Diagram, Circuit Protection (DC Essential Bus 1 - CPG Station)	9-10
Wiring Diagram, Circuit Protection (DC Essential Bus 1 - Pilot Station)	9-9
Wiring Diagram, Circuit Protection (DC Essential Bus 2 - Pilot Station)	9-11
Wiring Diagram, Circuit Protection (DC Essential Bus - CPG Station)	9-13
Wiring Diagram, Circuit Protection (AC Essential Bus 1 - Pilot Station)	9-5
Wiring Diagram, Circuit Protection (DC Essential Bus 3 - Pilot Station)	9-12
Wiring Diagram, Circuit Protection (DC Emergency Bus - CPG Station)	9-15
Wiring Diagram, Circuit Protection (DC Emergency Bus - Pilot Station)	9-14
Wiring Diagram, Circuit Protection (DC Ground Circuit Breakers - CPG Station)	9-17
Wiring Diagram, Circuit Protection (DC Ground Circuit Breakers - Pilot Station)	9-16
Wiring Diagram, CPG Utility and Secondary Lights	9-20
Wiring Diagram, DASE (BUCS Activated) (Serial No. 88-0200 and subsequent)	12-2
Wiring Diagram, Data Transfer Unit	20-7
Wiring Diagram, DASE (BUCS Deactivated) (Serial No. 82-23355 thru 88-0199)	12-1

ALPHABETICAL INDEX (cont)

Subject	Para No.
Wiring Diagram, DC Electrical Power Generation	9-2
Wiring Diagram, Doppler Navigation AN/ASN-128 (Serial No. 82-23355 thru 84-24269)	20-2
Wiring Diagram, Doppler Navigation AN/ASN-137 (ADC) (Serial No. 84-24270 and subsequent)	20-3
Wiring Diagram, Doppler Navigation AN/ASN-137 (ADD)	20-3A
Wiring Diagram, Edge Lights	9-19
Wiring Diagram, EGI	20-8
Wiring Diagram, Engine Anti-Ice	25-2
Wiring Diagram, Engine Instruments	18-1
Wiring Diagram, Environmental Control System (ECS)	10-1
Wiring Diagram, External Stores Control	11-1
Wiring Diagram, External Stores Jettison	11-2
Wiring Diagram, External Power and Ground Service Utility Connector	9-3
Wiring Diagram, Fire Detection and Extinguishing	25-6
Wiring Diagram, Force Trim	12-3
Wiring Diagram, Formation Lights	9-23
Wiring Diagram, Fuel Crossfeed/Boost	13-2
Wiring Diagram, Fuel Quantity Indication/Transfer	13-3
Wiring Diagram, Heading and Attitude Reference Set (HARS)	20-4
Wiring Diagram, HELLFIRE Missile	14-1
Wiring Diagram, Hydraulic	15-1
Wiring Diagram, IFF	16-1
Wiring Diagram, Integrated Helmet and Display Sight System (IHADSS)	17-1
Wiring Diagram, IR Jammer AN/ALQ-144	21-1
Wiring Diagram, Landing/Search Lights	9-24
Wiring Diagram, Laser Detecting Set AN/AVR-2A	21-4
Wiring Diagram, Navigation Instruments	18-2
Wiring Diagram, Navigation Lights	9-25
Wiring Diagram, Maintenance Lights	9-26

ALPHABETICAL INDEX (cont)

<u>Subject</u>	<u>Para No.</u>
Wiring Diagram, Multiplex	19-1
Wiring Diagram, Nitrogen Inerting	13-5
Wiring Diagram, Pilot Utility and Secondary Lights	9-21
Wiring Diagram, Pitot Anti-Ice	25-4
Wiring Diagram, Pilot Night Vision Sensor (PNVS) System	22-1
Wiring Diagram, Power Plants	23-1
Wiring Diagram, Pressure Refueling/Defueling	13-4
Wiring Diagram, Pressurized Air System (PAS)	15-2
Wiring Diagram, Radar Altimeter (RADALT) Set	20-5
Wiring Diagram, Radar Jammer AN/ALQ-136	21-2
Wiring Diagram, Radar Warning Set AN/APR-39(V)1 and AN/APR-39A(V)1	21-3
Wiring Diagram, Squat Switch	9-28
Wiring Diagram, Stabilator	12-4
Wiring Diagram, Symbol Generator	26-1
Wiring Diagram, Target Aquisition Designation System (TADS)	24-1
Wiring Diagram, TADS/PNVS Anti-Ice Control	25-7
Wiring Diagram, TSEC/KY-58 Communications Security Equipment.	6-2
Wiring Diagram, UHF-AM Radio Set.	6-3
Wiring Diagram, Video Display Unit (VDU) and Video Recorder	26-2
Wiring Diagram, VHF AM-FM Radio Set	6-4
Wiring Diagram, Windshield Wipers	25-5

X
Y
Z

ALPHABETICAL INDEX (cont)

<u>Subject</u>	<u>Para No.</u>
-----------------------	------------------------

THESE ARE THE INSTRUCTIONS FOR SENDING AN ELECTRONIC 2028

The following format must be used if submitting an electronic 2028. The subject line must be exactly the same and all fields must be included; however only the following fields are mandatory: 1, 3, 4, 5, 6, 7, 8, 9, 10, 13, 15, 16, 17, and 27.

From: "Whomever" <whomever@avma27.army.mil>

To: ls-lp@redstone.army.mil

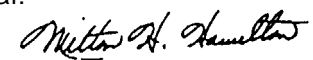
Subject: DA Form 2028

1. **From:** Joe Smith
2. Unit: Home
3. **Address:** 4300 Park
4. **City:** Hometown
5. **St:** MO
6. **Zip:** 77777
7. **Date Sent:** 19-Oct-93
8. **Pub no:** 55-2840-229-23
9. **Pub Title:** TM
10. **Publication Date:** 04-Jul-85
11. Change Number: 7
12. Submitter Rank: MSG
13. **Submitter Fname:** Joe
14. Submitter Mname: T
15. **Submitter Lname:** Smith
16. **Submitter Phone:** (123) 123-1234
17. **Problem: 1**
18. Page: 2
19. Paragraph: 3
20. Line: 4
21. NSN: 5
22. Reference: 6
23. Figure: 7
24. Table: 8
25. Item: 9
26. Total: 123
27. **Text:**

This is the text for the problem below line 27.

By Order of the Secretary of the Army:

Official:



MILTON H. HAMILTON
*Administrative Assistant to the
Secretary of the Army*


02460

GORDON R. SULLIVAN
*General, United States Army
Chief of Staff*

DISTRIBUTION:

To be distributed in accordance with DA Form 12-31-E, block no. 2948,
requirements for TM 1-1520-238-T-10.

SOMETHING WRONG WITH THIS PUBLICATION?



THEN... JOT DOWN THE DOPE ABOUT IT ON THIS FORM. CAREFULLY TEAR IT OUT, FOLD IT AND DROP IT IN THE MAIL.

FROM: (PRINT YOUR UNIT'S COMPLETE ADDRESS)
 SSG John Doe
 F Troop 5th Cav. 1st Training Bldg.
 Fort Knox, Kentucky 12345-6789


DATE SENT
 8 January 1993

PUBLICATION NUMBER: TM 1-1520-238-T-10
 PUBLICATION DATE: 31 August 1992
 PUBLICATION TITLE: AVUM AND AVIM TROUBLESHOOTING MANUAL FOR ARMY AH-64A HEL. WIRING DIAGRAMS

BE EXACT ... PIN-POINT WHERE IT IS				IN THIS SPACE TELL WHAT IS WRONG AND WHAT SHOULD BE DONE ABOUT IT.
PAGE NO.	PARA-GRAPH	FIGURE NO.	TABLE NO.	
9-19		9-5		<p>B Ready Relay K11 is shown with two #9 contacts. That contact which is wired to pin 8 of relay K16 should be changed to contact #10.</p> <p style="text-align: center; font-size: 2em; font-weight: bold; transform: rotate(-15deg);">SAMPLE</p>

PRINTED NAME, GRADE OR TITLE, AND TELEPHONE NUMBER: SP4 John Doe (805) 555-1234
 SIGN HERE: *John Doe*

SOMETHING WRONG WITH THIS PUBLICATION?



THEN... JOT DOWN THE DOPE ABOUT IT ON THIS FORM. CAREFULLY TEAR IT OUT, FOLD IT AND DROP IT IN THE MAIL.

FROM: (PRINT YOUR UNIT'S COMPLETE ADDRESS)

DATE SENT

PUBLICATION NUMBER: TM 1-1520-238-T-10
 PUBLICATION DATE: 31 August 1992
 PUBLICATION TITLE: AVUM AND AVIM TROUBLESHOOTING MANUAL FOR ARMY AH-64A HEL. WIRING DIAGRAMS

BE EXACT ... PIN-POINT WHERE IT IS				IN THIS SPACE TELL WHAT IS WRONG AND WHAT SHOULD BE DONE ABOUT IT.
PAGE NO.	PARA-GRAPH	FIGURE NO.	TABLE NO.	

PRINTED NAME, GRADE OR TITLE, AND TELEPHONE NUMBER
 SIGN HERE

TEAR ALONG PERFORATED LINE

TEAR ALONG PERFORATED LINE

FILL IN YOUR
UNIT'S ADDRESS

FOLD BACK

DEPARTMENT OF THE ARMY

TEAR ALONG PERFORATED LINE

Commander
U.S. Army Aviation And Missile Command
ATTN: AMSAM-MMC-LS-P
Redstone Arsenal, AL 35898-5230

FILL IN YOUR
UNIT'S ADDRESS

FOLD BACK

DEPARTMENT OF THE ARMY

TEAR ALONG PERFORATED LINE

Commander
U.S. Army Aviation And Missile Command
ATTN: AMSAM-MMC-LS-P
Redstone Arsenal, AL 35898-5230

FILL IN YOUR
UNIT'S ADDRESS

FOLD BACK

DEPARTMENT OF THE ARMY

TEAR ALONG PERFORATED LINE

FILL IN YOUR
UNIT'S ADDRESS

FOLD BACK

DEPARTMENT OF THE ARMY

TEAR ALONG PERFORATED LINE

Commander
U.S. Army Aviation And Missile Command
ATTN: AMSAM-MMC-LS-P
Redstone Arsenal, AL 35898-5230

Commander
U.S. Army Aviation And Missile Command
ATTN: AMSAM-MMC-LS-P
Redstone Arsenal, AL 35898-5230

FILL IN YOUR
UNIT'S ADDRESS

FILL IN YOUR
UNIT'S ADDRESS

FOLD BACK

FOLD BACK

DEPARTMENT OF THE ARMY

DEPARTMENT OF THE ARMY

TEAR ALONG PERFORATED LINE

TEAR ALONG PERFORATED LINE

Commander
U.S. Army Aviation And Missile Command
ATTN: AMSAM-MMC-LS-P
Redstone Arsenal, AL 35898-5230

Commander
U.S. Army Aviation And Missile Command
ATTN: AMSAM-MMC-LS-P
Redstone Arsenal, AL 35898-5230

TEAR ALONG PERFORATED LINE

TEAR ALONG PERFORATED LINE

FILL IN YOUR UNIT'S ADDRESS

FILL IN YOUR UNIT'S ADDRESS

FOLD BACK

FOLD BACK

DEPARTMENT OF THE ARMY

DEPARTMENT OF THE ARMY

Commander
U.S. Army Aviation And Missile Command
ATTN: AMSAM-MMC-LS-P
Redstone Arsenal, AL 35898-5230

Commander
U.S. Army Aviation And Missile Command
ATTN: AMSAM-MMC-LS-P
Redstone Arsenal, AL 35898-5230

The Metric System and Equivalents

Linear Measure

1 centimeter = 10 millimeters = .39 inch
 1 decimeter = 10 centimeters = 3.94 inches
 1 meter = 10 decimeters = 39.37 inches
 1 dekameter = 10 meters = 32.8 feet
 1 hectometer = 10 dekameters = 328.08 feet
 1 kilometer = 10 hectometers = 3,280.8 feet

Weights

1 centigram = 10 milligrams = .15 grain
 1 decigram = 10 centigrams = 1.54 grains
 1 gram = 10 decigrams = .035 ounce
 1 dekagram = 10 grams = .35 ounce
 1 hectogram = 10 dekagrams = 3.52 ounces
 1 kilogram = 10 hectograms = 2.2 pounds
 1 quintal = 100 kilograms = 220.46 pounds
 1 metric ton = 10 quintals = 1.1 short tons

Liquid Measure

1 centiliter = 10 milliliters = .34 fl. ounces
 1 deciliter = 10 centiliters = 3.38 fl. ounces
 1 liter = 10 deciliters = 33.81 fl. ounces
 1 dekaliter = 10 liters = 2.64 gallons
 1 hectoliter = 10 dekaliters = 26.42 gallons
 1 kiloliter = 10 hectoliters = 264.18 gallons

Square Measure

1 sq. centimeter = 100 sq. millimeters = .155 sq. inch
 1 sq. decimeter = 100 sq. centimeters = 15.5 sq. inches
 1 sq. meter (centare) = 100 sq. decimeters = 10.76 sq. feet
 1 sq. dekameter (are) = 100 sq. meters = 1,076.4 sq. feet
 1 sq. hectometer (hectare) = 100 sq. dekameters = 2.47 acres
 1 sq. kilometer = 100 sq. hectometers = .386 sq. mile

Cubic Measure

1 cu. centimeter = 1000 cu. millimeters = .06 cu. inch
 1 cu. decimeter = 1000 cu. centimeters = 61.02 cu. inches
 1 cu. meter = 1000 cu. decimeters = 35.31 cu. feet

Approximate Conversion Factors

To change	To	Multiply by
inches	centimeters	2.540
feet	meters	.305
yards	meters	.914
miles	kilometers	1.609
square inches	square centimeters	6.451
square feet	square meters	.093
square yards	square meters	.836
square miles	square kilometers	2.590
acres	square hectometers	.405
cubic feet	cubic meters	.028
cubic yards	cubic meters	.765
fluid ounces	milliliters	29.573
pints	liters	.473
quarts	liters	.946
gallons	liters	3.785
ounces	grams	28.349
pounds	kilograms	.454
short tons	metric tons	.907
pound-feet	newton-meters	1.356
pound-inches	newton-meters	.11296

To change	To	Multiply by
ounce-inches	newton-meters	.007062
centimeters	inches	.394
meters	feet	3.280
meters	yards	1.094
kilometers	miles	.621
square centimeters	square inches	.155
square meters	square feet	10.764
square meters	square yards	1.196
square kilometers	square miles	.386
square hectometers	acres	2.471
cubic meters	cubic feet	35.315
cubic meters	cubic yards	1.308
milliliters	fluid ounces	.034
liters	pints	2.113
liters	quarts	1.057
liters	gallons	.264
grams	ounces	.035
kilograms	pounds	2.205
metric tons	short tons	1.102

Temperature (Exact)

° F	Fahrenheit temperature	5/9 (after subtracting 32)	Celsius temperature	° C
-----	------------------------	----------------------------	---------------------	-----

PIN: 045868-010